

KAYOBA



022233



CHILDREN'S BIKE

OPERATING INSTRUCTIONS - Original instructions

SV CHILDREN'S BIKE BRUKSANVISNING

Översättning av originalinstruktioner

DE KINDERFAHRRAD BEDIENUNGSANLEITUNG

Übersetzung der Originalanleitung

NO BARNESYKKEL BETJENINGSANVISNINGER

Översettelse av originalinstruksjonene

FI LASTEN PYÖRÄ KÄYTTÖOHJE

Alkuperäisten ohjeiden käännös

DA BØRNECYKEL BETJENINGSVEJLEDNING

Översættelse af den originale vejledning

FR VÉLO POUR ENFANTS INSTRUCTIONS D'UTILISATION

Traduction des instructions d'origine

PL ROWER DZIECIĘCY INSTRUKCJA OBSŁUGI

Przekład instrukcji oryginalnej

NL KINDERFIETS BEDIENINGSINSTRUCTIES

Vertaling van de originele instructies

Jula AB förbehåller sig rätten att göra ändringar på produkten. Jula AB innehar upphovsrätten till denna dokumentation. Det är inte tillåtet att modifiera eller ändra denna dokumentation på något sätt och bruksanvisningen ska skrivas ut och användas som den är i förhållande till produkten. Se Julas webbplats för den senaste versionen av bruksanvisningen.

Jula AB forbeholder seg retten til å endre produktet. Jula AB innehar opphavsretten til denne dokumentasjonen. Det er ikke tillatt å modifisere eller endre denne dokumentasjonen på noen som helst måte, og håndboken skal trykkes og brukes som den er i forhold til produktet. For siste versjon av betjeningsanvisningene, se Julas nettsider.

Jula AB forbeholder sig retten til at ændre produktet. Jula AB har ophavsretten til denne dokumentation. Det er ikke tilladt at modificere eller ændre denne dokumentation på nogen måde, og manualen skal printes og bruges som den er i forhold til produktet. For den seneste version af betjeningsvejledningen, se Julas hjemmeside.

Jula AB zastrzega sobie prawo do wprowadzania zmian w produkcie. Jula AB zastrzega sobie prawa autorskie do niniejszej dokumentacji. Dokumentacji nie wolno w żaden sposób modyfikować ani zmieniać, a instrukcję należy drukować i używać ją w odniesieniu do produktu w stanie niezmiennym. Najnowszą wersję instrukcji obsługi można znaleźć na stronie internetowej Jula.

Jula AB reserves the right to make changes to the product. Jula AB claims copyright on this documentation. It is not allowed to modify or alter this documentation in any way and the manual shall be printed and used as it is in relation to the product. For the latest version of operating instructions, refer to the Jula website.

Jula AB behält sich das Recht vor, Änderungen am Produkt vorzunehmen. Jula AB beansprucht die Urheberrechte an dieser Dokumentation. Es ist nicht zulässig, diese Dokumentation in irgendeiner Weise zu verändern oder umzugestalten. Die Anleitung muss gedruckt und so verwendet werden, wie sie in Bezug zum Produkt steht. Die aktuellste Version der Bedienungsanleitung finden Sie auf der Website von Jula.

Jula AB pidättää oikeuden tehdä tuotteeseen muutoksia. Jula AB:llä on tämän dokumentaation tekijänoikeus. Tätä dokumentaatiota ei saa muuttaa millään tavalla ja käyttöopas on tulostettava ja sitä on käytettävä sellaisena kuin se on tämän tuotteen kanssa. Käyttöohjeiden uusin versio löytyy Julan verkkosivustolta.

Jula AB se réserve le droit d'apporter des modifications au produit. Jula AB revendique les droits d'auteur sur cette documentation. Il est interdit de modifier ou d'altérer cette documentation de quelque manière que ce soit et le manuel doit être imprimé et utilisé tel quel en relation avec le produit. Pour obtenir la dernière version des instructions d'utilisation, consultez le site Web de Jula.

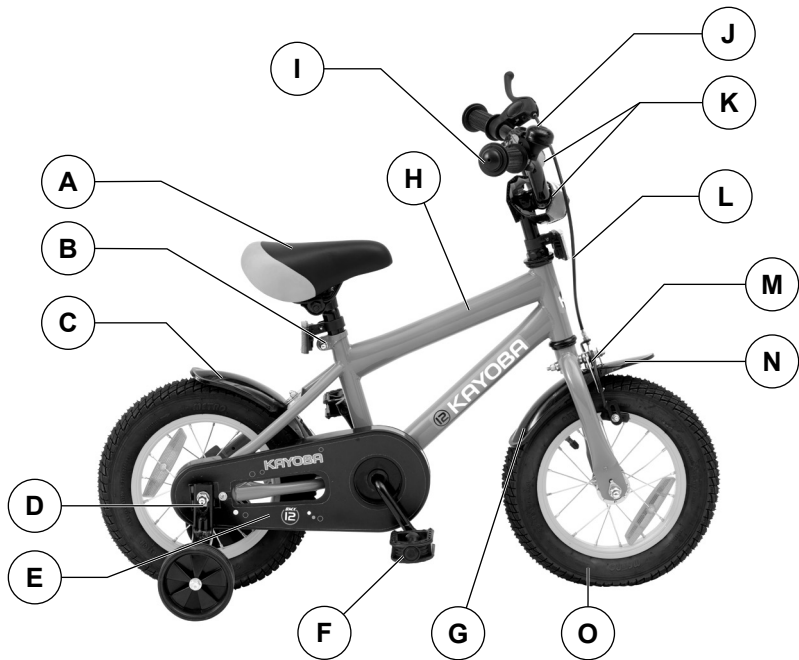
Jula AB behoudt zich het recht voor om wijzigingen aan het product aan te brengen. Jula AB claimt het copyright op deze documentatie. Het is niet toegestaan om deze documentatie op welke manier dan ook te wijzigen of te veranderen. De handleiding moet worden afgedrukt en gebruikt zoals deze in relatie tot het product staat. Raadpleeg de Jula-website voor de laatste versie van de bedieningsinstructies.

WWW.JULA.COM

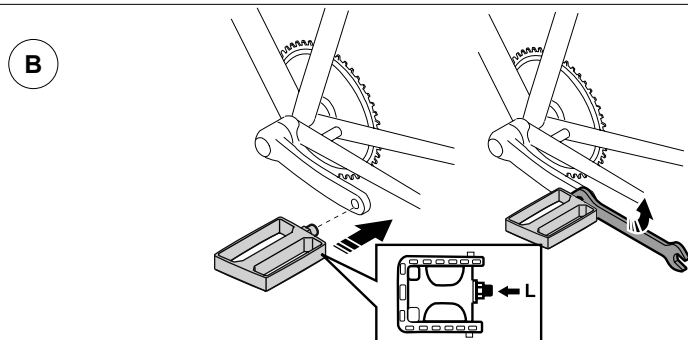
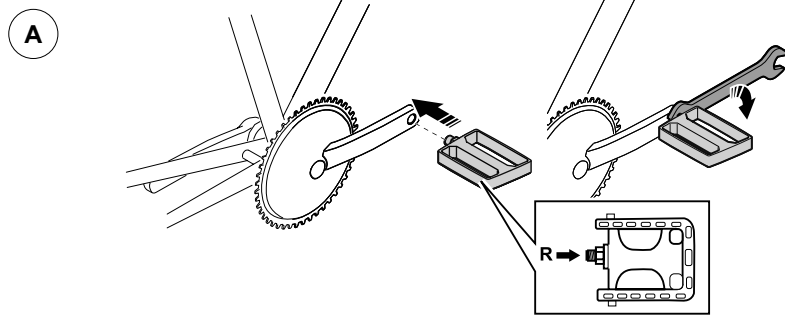
© JULA AB 2025-03-10

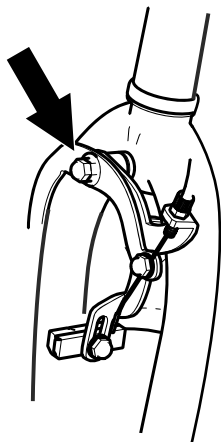
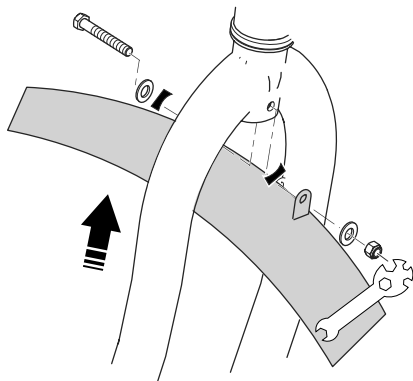
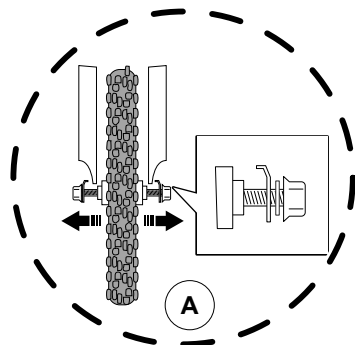
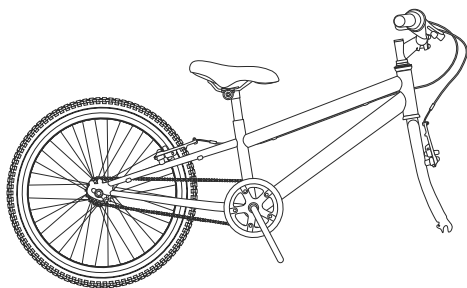
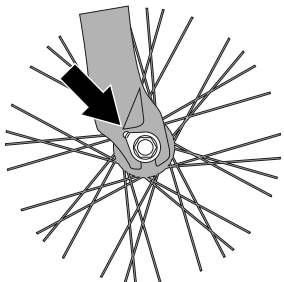
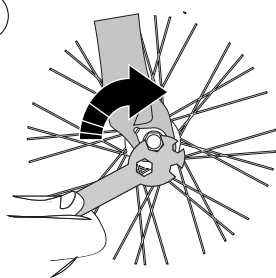
**JULA AB
BOX 363, 532 24 SKARA, SWEDEN**

1

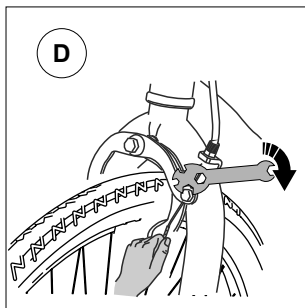
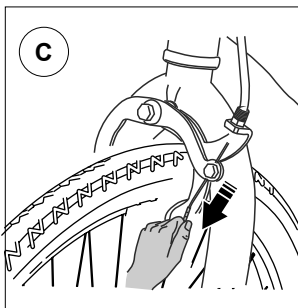
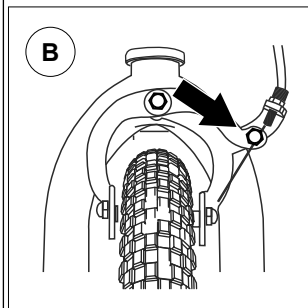
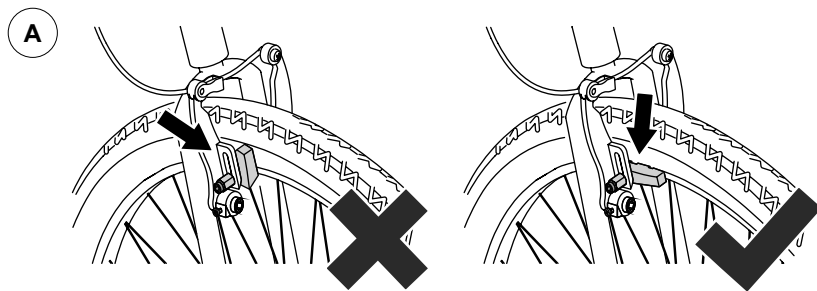


2

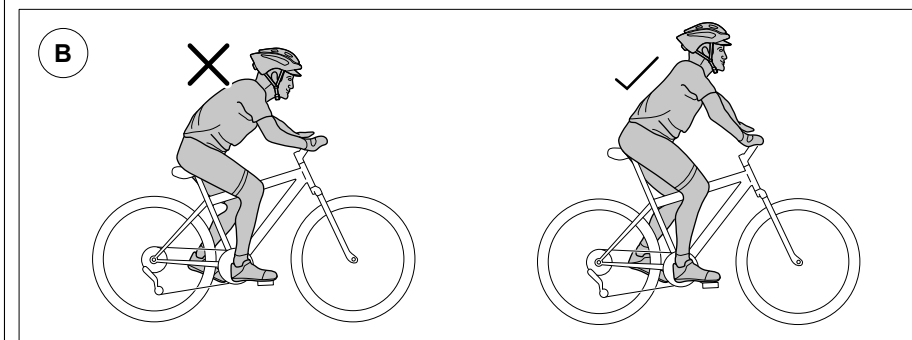
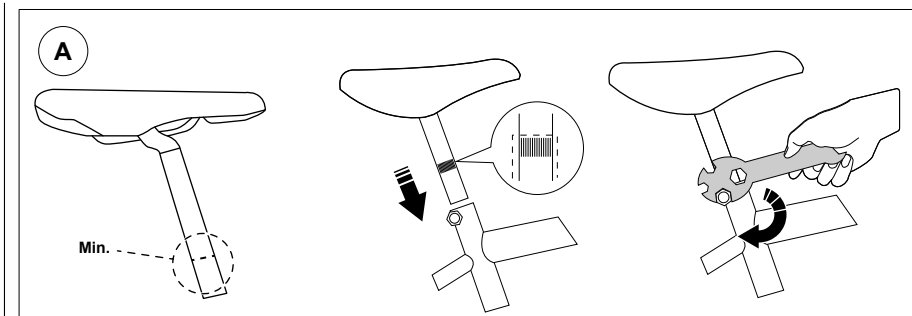


3**A****B****4****B****C**

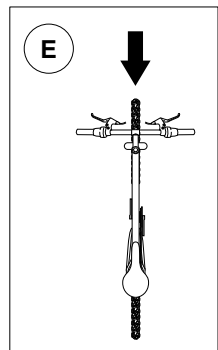
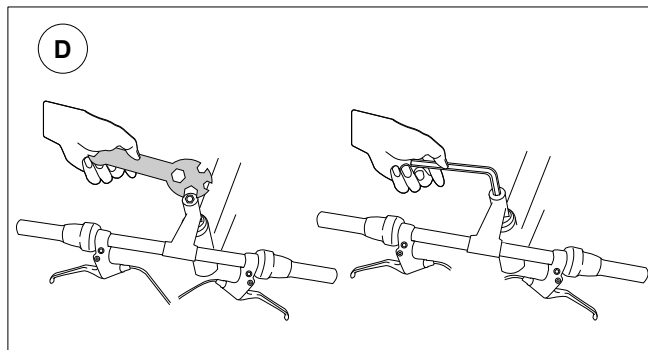
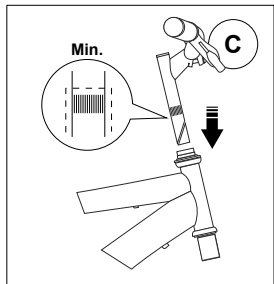
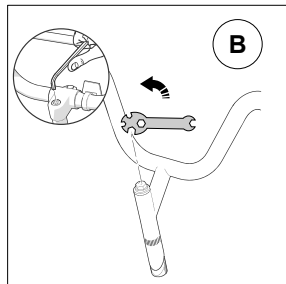
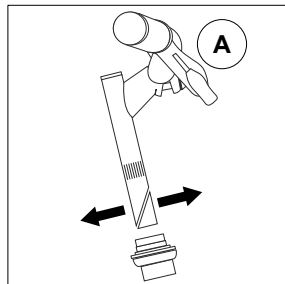
5



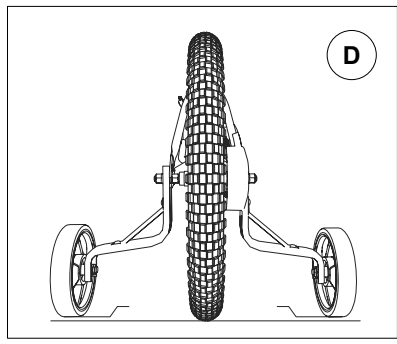
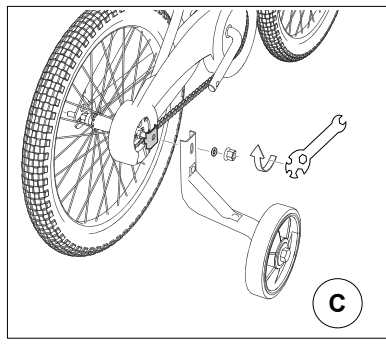
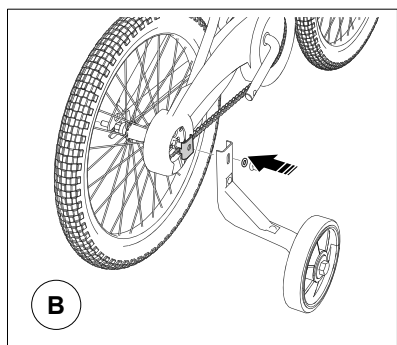
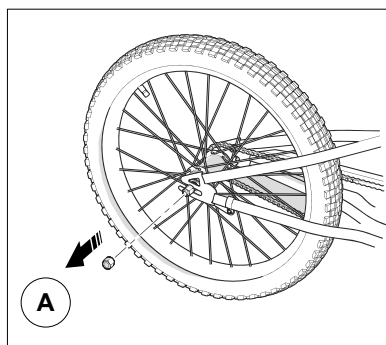
6

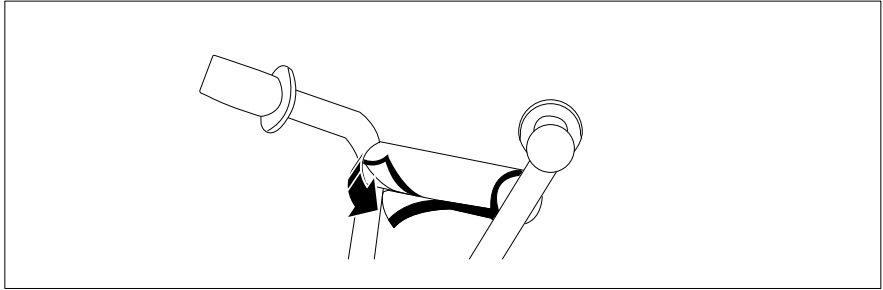
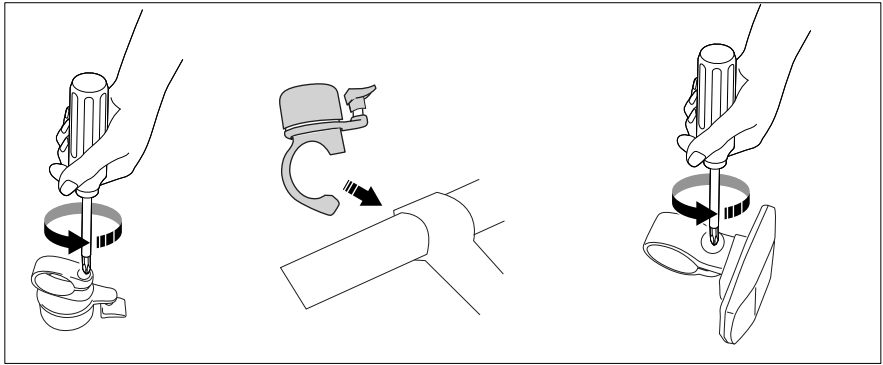


7



8





SAFETY INSTRUCTIONS

- The maximum load, includes the cyclist and the luggage.

Size	Max load
12"	20 kg

Check the following before use:

- Make sure that the rims are in good condition and undamaged. A worn rim is a safety risk and should be replaced.
- Screw unions and components are correctly tightened and not worn or damaged.
- The seat is comfortably adjusted.
- The brakes work correctly.
- The steering does not jam, or has too much play.
- The wheels are not warped and are correctly attached in the rear and front fork.
- The tires are in good condition and have the correct tire pressure.
- The pedals are correctly installed in the crank arms.
- All the reflectors are attached.
- After any adjustments, do a check that all screw unions are correctly tightened and that the wires are not damaged and correctly attached along the frame.
- Recommendation, do a service of the bike every 6 months at a bike shop, the service must be done more often if the bikes is use more often. Fill in the service records after every service.

Road safety

- Always wear a bike helmet.
- Follow local traffic regulations.
- Do not put anything on the bike that can get caught and obstruct the functions of the bike.
- Do not ride on the same side as oncoming traffic.
- Do not ride alongside another bike.
- Do not give rides on bikes not intended for this.

- Do not swing out into traffic.
- Do not hang anything on the handlebars that makes it difficult to steer, or can get caught in the front wheel.
- Do not hang onto another vehicle.
- Do not ride too close to a vehicle in front.

Cycling in the rain or on wet roads:

- The brake power is reduced by water and ice. Cycle more slowly in wet weather and brake earlier than in dry weather.
- Follow local regulations when cycling in the dark:
 - The bike must have a front lamp with a white light and a back lamp with a red light, in addition to the reflectors already attached on the bike.
 - Wear bright clothes and a high-visibility jacket if possible.
 - Check that the reflectors of the bike are attached and positioned correctly, clean and not obscured. Replace damaged reflectors immediately.

Service

- Only use identical spare parts when replacing parts that are essential for safety. Check Jula's department store for original parts. This will guarantee that the bike remains safe to use.

WARNING!

- A bike is exposed to wear, like all mechanical equipment, when you use it. Different materials and components react in different ways to wear and stress. If the lifespan of any part of the bike (including the frame, forks and components) has been exceeded there is a risk of the part suddenly breaking, and that you lose control and fall off. Cracks, scratching or changes in colour in areas exposed to high levels of stress indicate that the component has reached the end of its life and should be replaced.

- Do not install the handlebar post or saddle post above the marking for the top position.

WARNING!

- Do not do any modifications on the product.
- The product is not made to be use on offroad or for freestyle biking, stunt tricks, competitions and equivalent. Only use the product for it specified purpose. You are personally responsible for any subsequent injuries or other damage resulting from the use of the bike in this way. The dealer waives all liability for any consequential damage or other loss in relation to the person who has purchased that bike or any third party.
- It is important to inform the child about the functions of the bike, especially the safe use of the brakes.
- The product is not applicable for luggage carrier and child seat attachment.

DESCRIPTION

- Saddle
- Saddle post height
- Back mudguard
- Support wheels attachment
- Chain guard
- Pedal with reflector
- Front fork
- Bike frame
- Handlebar
- Bell
- Safety pads
- Brake wire
- Front V-brake
- Front mudguard
- Wheel

FIG. 1

ASSEMBLY

TORQUE REQUIREMENTS

Parts assembly	Suggested Torque	
	ft-lb	Nm
Front wheel axle nut	21–23	27–31
Handlebar clamping bolt	18–20	24–28
Handlebar stem expander bolt	15–18	20–24
Pedals	18–20	24–28
Seat	15–20	20–28
Rear wheel axle nut	21–23	27–31
Handle break nuts	6–7	14-18

Pedals

NOTE:

- There are 2 different pedals, left and right (L,R). The pedal marked with R must be attached to the right crank arm and the pedal marked L to the left crank arm.**
- Use applicable lubricant on the threads of the pedals when you install them.**

To attach the right pedal (R)

Install the right pedal (A) to the crank arm on the chain side of the product and carefully tighten it with a spanner.

To attach the left pedal (L)

Install the left pedal (B) to the crank arm on the on the opposite side of the chain, turn it counterclockwise and carefully tighten it with a spanner.

FIG. 2

MUDGUARD ASSEMBLY

NOTE:

To attach the mudguard, you must remove the nut on the fork as shown in figure (A)

- When the nuts have been removed attach the mudguard and put back the nuts and tighten the bolts (B).

FIG. 3

FRONT WHEEL ASSEMBLY

- Loosen the brake cable nut with the supplied multi-tool.
- Loosen the outer wheel nuts all the way to the edge of thread and put the wheel. (A)

NOTE:

Make sure that the retention washer and the nut are on the outer side of the wheel fork.

- Put the hook of the retention washer into the hole on both side of the fork (B).
- Tighten the wheel nuts with the multi-tool (C).

FIG. 4

BRAKE ASSEMBLY OR ADJUSTMENT

NOTE:

You may need an extra set of hand to help with this process.

- Loosen the brake pad nuts, adjust the brakepads if necessary. Make sure that the brake pads are turned horizontally, not vertically as shown in figure A.
- Loosen the wire bolt nut (B) and pull the brake wire down (C).
- Adjust the brake to the applicable tension and tighten the bolt with the multitool (D).

FIG. 5

TO ATTACH THE SADDLE

- Loosen the clamping screw that holds the saddle post to the saddle tube.
- Set the saddle post to the applicable height and tighten the clamping screw.

FIG. 6

NOTE:

- **Make sure that the saddle post is lower than the marking for the top position. It should not be possible to see the marking for the top position.**
- **Tighten the saddle post clamping screw and nut to 20–28 Nm. Use a 13 mm hex spanner. Do a check that the saddle post is securely fastened by turning the saddle by hand (it should not be possible to turn the saddle).**
- **Do not ride the product if the saddle, or saddle post, are not correctly tightened.**

Saddle height

- To find the correct saddle height, put one of the pedals in its lowest position.
- Sit on the saddle wearing shoes and check that the heel just reaches down to the pedal with the leg stretched out.
- When cycling with the sole of the foot on the pedal the leg should be slightly bent when the pedal is in its lowest position. Refer to the figures shown on figure 6.

HANDLEBAR POST

- Release the expander bolt on the lower part of the handlebar post until the expander key comes loose. (A)
- Carefully tap the expander bolt if the key does not come loose by itself. (B)
- Move the handlebar post up or down to an applicable height. Adjust the position of the handlebar where the brake levers are easy to reach and feels comfortable for the rider. (C)
- Tighten the expander bolt firmly. (D)

- Do a check that the handlebar post is in line with the front wheel. Adjust if necessary. (E)

FIG. 7

NOTE:

- **There is a marking on the handlebar post to show how much it can extend from the fork tube. This marking should not be seen when the handlebar post is fitted. The handlebar post must be inserted far enough into the fork tube so that the marking cannot be seen.**
- **After you have adjusted to the correct height, do a check and adjust the handlebars to the correct angle with the front wheel.**
- **Firmly tighten the expander bolt. It is very important that the expander bolt is correctly tightened.**
- **Check that the handlebar post is correctly secured by standing in front of the bike with your legs on each side of the front wheel. Hold the wheel with your legs and try to turn the handlebars sideways. The handlebar post must not rotate in the fork tube.**
- **Do not overtighten the handlebar post. It should be able to give somewhat if you fall off the bike.**
- **Position the handlebar grips horizontally and firmly tighten the clamping screw.**

TO INSTALL THE SUPPORT WHEELS

- Remove the dome nut and washer. Make sure that rectangle washer is placed in the correct position as shown in figure 8 (A).
- Attach the stabiliser and secure it with the washer and nut (B).
- Tighten the wheel nut using the multitool as shown (C)

- Repeat the Process on the opposite side.
- Check that the stabiliser wheel aren't touching the ground when the bike is level. (D)

FIG. 8

Support wheels

- Make sure that the support wheels are adjusted to the correct height. If the support wheels are adjusted too low this can interfere with the angle of the bike and can have a negative effect on the braking power if the back wheel lifts too high from the ground. To prevent this, adjust the support wheels higher when the child gets better at cycling.

INSTALL THE ACCESSORIES

- Install the bell on the handle bar and the reflectors to the bike using a screwdriver. Note! The screwdriver is not included.

FIG. 9

USE**WARNING!**

Use a leg band or similar equipment to minimize the risk of entrapment in the chain or sprockets.

It is important that the bike is both comfortable and safe to use. Follow the instructions how to use or adjust the different parts of the bike.

BRAKES

Front brake - left side (Hand operated)

Rear break - back pedaling

To use the brake safely

1. Use the foot brake first then the front brake.

NOTE:

To engage the foot brake, pedal backwards.

2. Do not use the front brake when turning.

NOTE:

- **It is very important to remember this when turning on sharp curves or riding on rough or slippery surfaces.**
- **The braking capacity is reduced on wet or slippery roads. Bike more slowly and brake earlier.**
- **Do not ride the bike if the brakes are not working correctly.**

MAINTENANCE**TYRE MAINTENANCE AND WHEEL ADJUSTMENTS**

- The tires must have the correct air pressure. Refer to the information indicated on the side of the tires.
- Pump the tires with a foot pump or hand pump with an applicable valve connection. Do a check of the pressure with a pressure gauge.
- Locking the brakes and skidding wears out the tyres. Always examine the tires so that they are not damaged.
- Prevent contact with oil, petrol, paraffin and other agents that dissolve rubber.
- Examine the wheels, make sure that they are not buckled and are correctly aligned. The sides of the tires must not touch the frame, the front fork, or the front brake.
- Do a check so that the tires are not worn or cracked. Make sure that the tread on the tyres has not worn down and that there is no damage, cracks or uneven wear on the tire. Replace worn or damaged tires immediately.

- Sharp stones or uneven surfaces can puncture the tyres. Do a check of the inflation pressure in the tyres at regular intervals. Refer to the side of the tyre for the correct inflation pressure. If the inflation pressure is given in an interval always use the lower value.

RIMS

Most rims have a wear indicator in the form of a line along the side of the rim. The rim should be replaced when this line is completely or partially worn off.

CHAIN**Lubrication**

The chain should be lubricated regularly; use an applicable chain oil. Do a check that the chain does not knock when cycling or that it is damaged. Always keep the chain oiled.

1. Lubricate the chain.
2. Pedal a few turns so that the oil comes in the links.
3. Wipe the chain with a cloth or sponge.

BRAKES

- Do a check of the brake adjustment and lubricate the brake spring pivots regularly.
- Lubricate the exposed parts of the wires to provide protection from corrosion. If it is difficult to brake this can be because the wires are not correctly lubricated. The brake wires must be removed to lubricate them.
- Replace the brake pads before they get totally worn out. When the pattern is worn off, or the wear indicator shows, it is time to replace them.

NOTE:

- **In order to brake smoothly the wheels must not be buckled, they must be correctly adjusted and the sides of the rims must be smooth without any dints. The brake pads must be correctly adjusted to the sides of the rims. Protect the ends of the wires with end caps, so that the wires do not fray.**
- **The brakes must not jam or remain pushed against the rims when they are not used. If the brakes jam, do a check of the wires and brake levers are clean and lubricated.**

Adjustment

A chain that is not properly tensioned can be dangerous. If the chain can be moved more than 1 cm "up or down" it must be tensioned.

1. Loosen the nuts for the rear wheel and pull the wheel backwards.
2. Tighten the nuts. Make sure the wheel is installed straight.
3. Do a check that the wheel is correctly tightened.

SÄKERHETSINSTRUKTIONER

- Den maximala lasten inkluderar cyklisten och bagaget.

Storlek	Max belastning
12"	20 kg

Kontrollera följande före användning:

- Se till att fälgarna är i gott skick och oskadade. En sliten fälg är en säkerhetsrisk och bör bytas ut.
- Skruvförband och -komponenter är korrekt åtdragna och inte slitna eller skadade.
- Sätet är bekvämt justerat.
- Bromsarna fungerar som de ska.
- Styret fastnar inte och glappar inte för mycket.
- Hjulen är inte skeva och sitter fast ordentligt i bak- och framgaffeln.
- Däcken är i gott skick och har rätt däcktryck.
- Pedalerna är korrekt monterade i vevarmarna.
- Alla reflexer är fästa.
- Efter eventuella justeringar, kontrollera att alla skruvförband är korrekt åtdragna och att ledningarna inte är skadade och korrekt fästa längs ramen.
- Rekommendation: gör en service av cykeln var 6:e månad hos en cykelaffär, servicen måste göras oftare om cyklarna används oftare. Fyll i serviceböckerna efter varje service.

Trafiksäkerhet

- Använd alltid cykelhjälm.
- Följ lokala trafikföreskrifter.
- Lägg inte något på cykeln som kan fastna och hindra cykelns funktioner.
- Cykla på samma sida som mötande trafik.
- Cykla inte i bredd med en annan cykel.
- Ge inte skjuts på cyklar som inte är avsedda för detta.

- Sväng inte ut i trafiken.
- Häng inte något på styret som gör det svårt att styra, eller kan fastna i framhjulet.
- Håll inte fast i ett annat fordon.
- Cykla inte för nära ett framförvarande fordon.

Cykla i regn eller på våta vägar:

- Bromskraften reduceras av vatten och is. Cykla långsammare i vått väder och bromsa tidigare än i torrt väder.
- Följ lokala föreskrifter när du cyklar i mörker:
 - Cykeln måste ha en framlampa med vitt ljus och en baklampa med rött ljus, utöver de reflexer som redan är fästa på cykeln.
 - Bär ljusa kläder och en jacka med hög synlighet om möjligt.
 - Kontrollera att cykelns reflexer är fästa och korrekt placerade, rena och inte skymda. Byt omedelbart ut skadade reflexer.

Service

- Använd endast identiska reservdelar när du byter ut delar som är väsentliga för säkerheten. Sök efter nya originaldelar i Julas varuhus. Detta garanterar att cykeln förblir säker att använda.

WARNING!

- Liksom all mekanisk utrustning slits cykeln när du använder den. Olika material och komponenter reagerar på olika sätt på slitage och påfrestningar. Om livslängden på någon del av cykeln (inklusive ram, gafflar och komponenter) har överskridits finns det risk för att delen plötsligt går sönder och att du tappar kontrollen och faller av. Sprickor, repor eller färgförändringar i områden som utsätts för höga påfrestningar indikerar att komponenten har nått slutet av sin livslängd och bör bytas ut.

- Montera inte styrstängan eller sadelstängan ovanför markeringen för toppläget.

WARNING!

- Gör inga ändringar på produkten.
- Produkten är inte gjord för att användas offroad eller för freestylecykling, stunttricks, tävlingar och motsvarande. Använd endast produkten för det angivna ändamålet. Du är personligen ansvarig för eventuella följdskador eller andra skador till följd av användningen av cykeln på detta sätt. Återförsäljaren frånsäger sig allt ansvar för eventuella följdskador eller annan förlust i förhållande till den person som har köpt cykeln eller någon tredje part.
- Det är viktigt att informera barnet om cykelns funktioner, särskilt hur man använder bromsarna på ett säkert sätt.
- Produkten är inte tillämplig för montering av bagagebärare och barnstolar.

BESKRIVNING

- Sadel
- Sadelstängens höjd
- Bakre stänkskärm
- Fastsättning av stödhjul
- Kedjeskydd
- Pedal med reflex
- Framgaffel
- Cykelram
- Styre
- Ringklocka
- Skyddsdynor
- Bromsvajer
- Främre V-broms
- Främre stänkskärm
- Hjul

BILD 1

MONTERING

VRIDMOMENTKRAV

Montering av delar	Föreslaget vridmoment	
	ft-lb	Nm
Framhjulaxelmuttern	21–23	27–31
Styrlagerklämma bult	18–20	24–28
Styrlagerexpander bult	15–18	20–24
Pedaler	18–20	24–28
Säte	15–20	20–28
Bakaxelmuttern	21–23	27–31
Bromshandtag muttrar	6–7	14-18

Pedaler

OBS:

- **Det finns 2 olika pedaler, vänster och höger (L, R). Pedalen märkt med R ska fästas på den högra vevarmen och pedalen märkt L på den vänstra vevarmen.**
- **Använd lämpligt smörjmedel på pedalernas gängor när du monterar dem.**

Att montera den högra pedalen (R)

Montera den högra pedalen (A) på vevarmen på kedjans sida av produkten och dra försiktigt åt den med en skiftnyckel.

Att montera den vänstra pedalen (L)

Montera den vänstra pedalen (B) på vevarmen på motsatt sida av kedjan, vrid den moturs och dra försiktigt åt den med en skiftnyckel.

BILD 2

MONTERING AV STÄNKSKÄRM

OBS:

För att fästa stänkskärmen måste du ta bort muttern på gaffeln som visas i bild (A)

- När muttrarna har tagits bort, fäst stänkskärmen och sätt tillbaka muttrarna och dra åt bultarna (B).

BILD 3**MONTERING AV FRAMHJUL**

- Lossa bromsvajermuttern med det medföljande multiverktyget.
- Lossa de yttre hjulmuttrarna hela vägen till kanten av gängen och sätt i hjulet. (A)

OBS:

Se till att fästbrickan och muttern är på utsidan av hjulgaffeln.

- Sätt kroken på hållarbrickan i hålet på båda sidor av gaffeln (B).
- Dra åt hjulmuttrarna med multiverktyget (C).

BILD 4**MONTERING ELLER JUSTERING AV BROMSAR****OBS:**

Du kan behöva hjälp av två extra händer för att hjälpa till med denna process.

- Lossa bromsbeläggens muttrar, justera bromsbeläggen vid behov. Se till att bromsbeläggen är vända horisontellt, inte vertikalt som visas i figur A.
- Lossa vajermuttern (B) och dra bromsvajern nedåt (C).
- Justera bromsen till tillämplig spänning och dra åt bulten med multiverktyget (D).

BILD 5**ATT FÄSTA SADELN**

- Lossa klämskruven som håller fast sadelstängan i sadelröret.
- Ställ in sadelstängan på lämplig höjd och dra åt klämskruven.

BILD 6**OBS:**

- Se till att sadelstängan är lägre än markeringen för toppläget. Det ska inte vara möjligt att se markeringen för toppositionen.**
- Dra åt sadelstängans spännskruv och mutter med 20-28 Nm. Använd en 13 mm insexnyckel. Kontrollera att sadelstängan är ordentligt fäst genom att vrida sadeln för hand (det ska inte vara möjligt att vrida sadeln).**
- Cykla inte på produkten om sadeln eller sadelstängan inte är korrekt åtdragen.**

Sadelhöjd

- För att hitta rätt sadelhöjd, sätt en av pedalerna i sitt lägsta läge.
- Sitt på sadeln med skor på dig och kontrollera att hälen precis når ner till pedalen med benet utsträckt.
- När du cyklar med fotsulan på pedalen ska benet vara lätt böjt när pedalen är i sitt lägsta läge se figurerna som visas i bild 6.

STYRSTÅNG

- Lossa expanderbulten på den nedre delen av styrstängan tills expandernyckeln lossnar. (A)
- Knacka försiktigt på expanderbulten om nyckeln inte lossnar av sig själv. (B)
- Flytta styrstängan uppåt eller nedåt till lämplig höjd. Justera styrets position där bromshandtagen är lätta att nå och känns bekväma för föraren. (C)
- Dra åt expanderbulten ordentligt. (D)
- Kontrollera att styrstängan är i linje med framhjulet. Justera vid behov. (E)

BILD 7

OBS:

- **Det finns en markering på styrstången för att visa hur mycket den kan sträcka sig från gaffelröret. Denna markering ska inte ses när styrstången är monterad. Styrstången måste sättas in tillräckligt långt in i gaffelröret så att markeringen inte kan ses.**
- **När du har justerat till rätt höjd, kontrollera och justera styret till rätt vinkel med framhjulet.**
- **Dra åt expanderbulten ordentligt. Det är mycket viktigt att expanderbulten är korrekt åtdragen.**
- **Kontrollera att styrstången är ordentligt fäst genom att stå framför cykeln med benen på varje sida av framhjulet. Håll i hjulet med benen och försök att vrida styret i sidled. Styrstången får inte rotera i gaffelröret.**
- **Dra inte åt styrstången för hårt. Den ska kunna ge efter lite om du ramlar av cykeln.**
- **Placera styrhandtagen horisontellt och dra åt klämskraven ordentligt.**

ATT MONTERA STÖDHJULEN

- Ta bort kupolmuttern och brickan. Se till att rektangelbrickan är placerad i rätt läge som visas i bild 8 (A).
- Fäst stabilisatorn och fäst den med brickan och muttern (B).
- Dra åt hjulmuttern med multiverktyget enligt bilden (C)
- Upprepa processen på motsatt sida.
- Kontrollera att det stabiliserande hjulet inte vidrör marken när cykeln står plant. (D)

BILD 8**Stödhjul**

- Se till att stödhjulen är justerade till rätt höjd. Om stödhjulen är för lågt justerade kan detta störa cykelns vinkel och kan ha en negativ effekt på bromskraften om bakhjulet lyfter för högt från marken. För att förhindra detta, justera stödhjulen högre när barnet blir bättre på att cykla.

INSTALLERA TILLBEHÖREN

- Montera ringklockan på styret och reflexerna på cykeln med hjälp av en skruvmejsel. Obs! Skruvmejsel ingår inte.

BILD 9**ANVÄNDNING****WARNING!**

Använd byxband eller liknande utrustning för att minimera risken för att något fastnar i kedjan eller drivhjulen.

Det är viktigt att cykeln är både bekväm och säker att använda. Följ instruktionerna hur du använder eller justerar de olika delarna av cykeln.

BROMSAR

Frambroms - vänster sida (Handmanövrerad)

Bakbroms - trampa bak

Att använda bromsen på ett säkert sätt

1. Använd först fotbromsen och sedan frambromsen.

OBS:

För att använda fotbromsen, trampa bakåt.

2. Använd inte frambromsen när du svänger.

OBS:

- **Det är mycket viktigt att komma ihåg detta när du svänger i skarpa kurvor eller kör på skrovliga eller hala ytor.**
- **Bromsförmågan minskar på våta eller hala vägar. Cykla långsammare och bromsa tidigare.**
- **Cykla inte om bromsarna inte fungerar korrekt.**

UNDERHÅLL

DÄCKUNDERHÅLL OCH HJULJUSTERINGAR

- Däcken måste ha rätt lufttryck. Se informationen som anges på sidan av däcken.
- Pumpa däcken med en fotpump eller handpump med lämplig ventilanslutning. Kontrollera trycket med en manometer.
- Låsning av bromsar och sladd sliter på däcken. Undersök alltid däcken så att de inte skadas.
- Undvik kontakt med olja, bensin, paraffin och andra medel som löser upp gummi.
- Undersök hjulen, se till att de inte är buckliga och att de är korrekt inriktade. Däckens sidor får inte vidröra ramen, framgaffeln eller frambromsen.
- Kontrollera så att däcken inte är slitna eller spruckna. Se till att slitbanan på däcken inte har slitits ner och att det inte finns några skador, sprickor eller ojämnt slitage på däckets. Byt ut slitna eller skadade däck omedelbart.
- Vassa stenar eller ojäma ytor kan punktera däcken. Kontrollera däcktrycket med jämna mellanrum. Se sidan av däckets för rätt däcktryck. Om däcktrycket anges inom ett intervall, använd alltid det lägre värdet.

FÄLGAR

De flesta fälgar har en slitageindikator i form av en linje längs sidan av fälgen. Fälgen ska bytas ut när denna lina är helt eller delvis sliten.

KEDJA

Smörjning

Kedjan bör smörjas regelbundet. Använd en lämplig kedjeolja. Kontrollera att kedjan inte slår när du cyklar och att den inte är skadad. Håll alltid kedjan oljad.

1. Smörj kedjan.
2. Trampa några varv så att oljan kommer i länkarna.
3. Torka av kedjan med en trasa eller svamp.

BROMSAR

- Kontrollera bromsjusteringen och smörj bromsfjädertapparna regelbundet.
- Smörj de exponerade delarna av ledningarna för att skydda mot korrosion. Om det är svårt att bromsa kan det bero på att vajrarna inte är korrekt smorda. Bromsvajrarna måste tas bort för att smörja dem.
- Byt ut bromsbeläggen innan de blir helt utslitna. När mönstret är slitet eller slitageindikatorn visar är det dags att byta ut dem.

OBS:

- **För att bromsa smidigt får hjulen inte vara buckliga, de måste vara korrekt justerade och fälgarnas sidor måste vara släta utan några bucklor. Bromsbeläggen måste vara korrekt justerade på sidorna av fälgarna. Skydda ändarna på ledningarna med ändskydd så att vajrarna inte fransar sig.**
- **Bromsarna får inte klämma eller förbli pressade mot fälgarna när de inte används. Om bromsarna fastnar, kontrollera att vajrarna och bromshandtagen är rena och smorda.**

Justering

En kedja som inte är ordentligt spänd kan vara farlig. Om kedjan kan flyttas mer än 1 cm "upp eller ner" måste den spännas.

1. Lossa muttrarna på bakhjulet och dra hjulet bakåt.
2. Dra åt muttrarna. Se till att hjulet är rakt monterat.
3. Kontrollera att hjulet är korrekt ådraget.

SIKKERHETSINSTRUKSJONER

- Maksimal belastning inkluderer syklist og bagasje.

Størrelse	Maks. belastning
12"	20 kg

Kontroller følgende før bruk:

- Sørg for at felgene er i god stand og uskadet. En slitt felg er en sikkerhetsrisiko og bør skiftes ut.
- Skruer koblinger og komponenter er riktig strammet og ikke slitt eller skadet.
- Setet er komfortabelt justert.
- Bremsene fungerer som de skal.
- Styret setter seg ikke fast og har ikke for mye lediggang.
- Hjulene er ikke skjeve og er riktig festet i bak- og forgaffelen.
- Dekkene er i god stand og har riktig dekktrykk.
- Pedalene er riktig installert i krankarmene.
- Alle refleksene er festet.
- Etter eventuelle justeringer, sjekk at alle skruer koblinger er riktig strammet og at ledningene ikke er skadet og riktig festet langs rammen.
- Det anbefales å gjøre en service på sykkelen hver 6. måned i en sykkelbutikk, tjenesten må gjøres oftere hvis syklene brukes oftere. Fyll ut servicejournalene etter hver service.

Trafikksikkerhet

- Bruk alltid sykkelhjelme.
- Følg alltid de lokale trafikreglene.
- Ikke legg noe på sykkelen som kan sette seg fast og hindre sykkelens funksjoner.
- Ikke kjør på samme side som møtende trafikk.
- Ikke kjør ved siden av en annen sykkel.
- Ikke ta passasjerer med på sykler som ikke er beregnet for dette.
- Ikke sving ut i trafikken.

- Ikke heng noe på styret som gjør det vanskelig å styre, eller som kan sette seg fast i forhjulet.
- Ikke heng etter et annet kjøretøy.
- Ikke kjør for nær et kjøretøy foran.

Sykling i regn eller på våte veier:

- Bremskraften reduseres av vann og is. Sykle saktere i vått vær og brems tidligere enn i tørt vær.
- Følg lokale lover og regler når du sykler i mørket:
 - Sykkelen må ha en frontlykt med hvitt lys og en baklykt med rødt lys, i tillegg til refleksene som allerede er festet på sykkelen.
 - Bruk lyse klær og en jakke med høy synlighet hvis mulig.
 - Kontroller at refleksene på sykkelen er festet og plassert riktig, rene og ikke tildekket. Skift ut skadede refleks umiddelbart.

Service

- Bruk kun identiske reservedeler når du bytter ut deler som er avgjørende for sikkerheten. Sjekk Julas varehus for originaldeler. Dette vil garantere at sykkelen forblir trygg å bruke.

WARNING!

- En sykkel utsettes for slitasje når du bruker den, akkurat som alt mekanisk utstyr. Ulike materialer og komponenter reagerer på forskjellige måter på slitasje og belastning. Hvis levetiden til noen del av sykkelen (inkludert ramme, gafler og komponenter) er overskredet, er det fare for at delen plutselig går i stykker, og at du mister kontrollen og faller av. Sprekker, riper eller fargeendringer i områder som er utsatt for høye belastningsnivåer indikerer at komponenten har nådd slutten av levetiden og bør skiftes ut.

- Ikke installer styrestolpen eller setestolpen over merkingen for topposisjonen.

WARNING!

- Ikke gjør noen modifikasjoner på produktet.
- Produktet er ikke laget for offroad- eller freestyle-sykling, stunttriks, konkurranser og tilsvarende. Bruk kun produktet til det spesifiserte formålet. Du er personlig ansvarlig for eventuelle påfølgende personskader eller materielle skader som følge av at sykkelen brukes på denne måten. Forhandleren fraskriver seg alt ansvar for eventuelle følgeskader eller andre tap forbundet med personen som har kjøpt sykkelen eller en tredjepart.
- Det er viktig å informere barnet om funksjonene til sykkelen, spesielt sikker bruk av bremsene.
- Produktet er ikke egnet for montering av bagasjebærer og barneseate.

BESKRIVELSE

- Sete
- Høyde på setestolpe
- Skjerm bak
- Feste til støttehjul
- Kjedebeskyttelse
- Pedal med reflektor
- Forgaffel
- Sykkelramme
- Styre
- Varslingsklokke
- Sikkerhetspute
- Bremsevaier
- V-bremse foran
- Skjerm foran
- Hjul

FIG. 1

MONTERING

VRIDMOMENTKRAV

Montering av deler	Foreslått dreiemoment	
	ft-lb	Nm
Forhjulets akselmutter	21–23	27–31
Klemmebolt for styret	18–20	24–28
Bolt for utvidelse av styrestemmet	15–18	20–24
Pedaler	18–20	24–28
Sete	15–20	20–28
Bakhjulets akselmutter	21–23	27–31
Håndtaksbrytermuttere	6–7	14-18

Pedaler

MERK:

- Det er 2 forskjellige pedaler, venstre og høyre (L,R). Pedalen merket med R må festes til høyre krankarm og pedalen merket L til venstre krankarm.
- Bruk passende smøremiddel på gjengene på pedalene når du installerer dem.

Feste høyre pedal (R)

Monter høyre pedal (A) på veivarmen på kjedesiden av produktet og stram den forsiktig med en skrunøkkel.

Feste venstre pedal (L)

Installer venstre pedal (B) på veivarmen på motsatt side av kjedet, vri den mot klokken og stram den forsiktig med en skrunøkkel.

FIG. 2

MONTERING AV SKJERM

MERK:

For å feste skjermen må du fjerne mutteren på gaffelen som vist i figur (A)

- Når mutterne er fjernet, fester du skjermen, setter tilbake mutterne og strammer boltene (B).

FIG. 3

MONTERING AV FORHJUL

- Løsne bremsekabelmutteren med det medfølgende multiverktøyet.
- Løsne de ytre hjulmutrene helt til kanten av gjengen og sett på hjulet. (A)

MERK:

Pass på at festeskiven og mutteren er på utsiden av hjulgaffelen.

- Sett kroken på festeskiven inn i hullet på begge sider av gaffelen (B).
- Trekk til hjulmutrene med multiverktøyet (C).

FIG. 4

BREMSEMONTERING ELLER JUSTERING

MERK:

Du kan trenge en annen person for å hjelpe deg med denne prosessen.

- Løsne bremseklossmutrene, juster bremseklossene om nødvendig. Pass på at bremseklossene er dreid horisontalt, ikke vertikalt som vist i figur A.
- Løsne wireboltmutteren (B) og trekk bremsewiren ned (C).
- Juster bremsen til egnet spenning og stram boltene med multiverktøyet (D).

FIG. 5

FOR Å FESTE SETET

- Løsne klemskruen som holder setestolpen på seterøret.

- Sett setestolpen til riktig høyde og stram til klemskruen.

FIG. 6

MERK:

- **Pass på at setepinnen er lavere enn markeringen for topposisjonen. Det skal ikke være mulig å se merkingen for topplasseringen.**
- **Trekk til setestolpens klemmeskrue og mutter til 20-28 Nm. Bruk en 13 mm sekskantnøkkel. Kontroller at setestolpen er godt festet ved å vri setet for hånd (det skal ikke være mulig å snu setet).**
- **Ikke kjør på produktet hvis setet eller setestolpen ikke er riktig strammet.**

Setehøyde

- For å finne riktig setehøyde, sett en av pedalene i laveste posisjon.
- Sitt på salen med sko og sjekk at hælen akkurat når ned til pedalen med benet strukket ut.
- Når du sykler med fotsålen på pedalen, skal benet være litt bøyd når pedalen er i laveste posisjon. Se figur 6.

STYRESTOLPE

- Løsne ekspanderbolten på den nedre delen av styrestolpen til ekspanderingsnøkkelen løsner. (A)
- Bank forsiktig på ekspanderbolten hvis nøkkelen ikke løsner av seg selv. (B)
- Flytt styrestolpen opp eller ned til en passende høyde. Juster posisjonen til styret slik at bremsepakene er enkle å nå og føles komfortable for rytteren. (C)
- Stram ekspansjonsbolten godt. (D)
- Kontroller at styrestolpen er på linje med forhjulet. Juster om nødvendig. (E)

FIG. 7

MERK:

- **Det er en markering på styrestolpen for å vise hvor mye den kan strekke seg fra gaffelrøret. Denne merkingen skal ikke sees når styrestolpen er montert. Styrestolpen må settes langt nok inn i gaffelrøret til at merkingen ikke vises.**
- **Etter at du har justert til riktig høyde, sjekk og juster styret til riktig vinkel med forhjulet.**
- **Stram ekspanderbolten godt. Det er veldig viktig at ekspanderbolten er riktig strammet.**
- **Kontroller at styrepinnen er riktig sikret ved å stå foran sykkelen med bena på hver side av forhjulet. Hold rattet med bena og prøv å vri styret sidelengs. Styret må ikke rotere i gaffelrøret.**
- **Ikke stram styrestolpen for mye. Den skal kunne gi noe etter hvis du faller av sykkelen.**
- **Plasser styregrepene horisontalt og stram klemmeskruen godt.**

INSTALLERE STØTTEHJULENE

- Fjern kuppelmutteren og skiven. Sørg for at den rektangelformede skiven er plassert i riktig posisjon som vist i figur 8 (A).
- Sett på stabilisatoren og fest den med skive og mutter (B).
- Stram hjulmutteren med multiverktøyet som vist (C)
- Gjenta prosessen på motsatt side.
- Kontroller at stabilisatorhjulet ikke berører bakken når sykkelen står plant. (D)

FIG. 8

Støtتهjul

- Pass på at støtتهjulene er justert til riktig høyde. Hvis støtتهjulene justeres for lavt, kan dette endre vinkelen på sykkelen, noe som kan ha en negativ effekt på bremsekraften hvis bakhjulet løfter seg for høyt fra bakken. For å forhindre dette, juster støtتهjulene høyere når barnet blir flinkere til å sykle.

INSTALLERE TILBEHØRET

- Monter bjellen på styret og refleksene på sykkelen ved hjelp av en skrutrekker. Merk! Skrutrekkeren er ikke inkludert.

FIG. 9

BRUK**WARNING!**

Bruk en benstropp eller lignende for å minimere risikoen for å sette seg fast i kjedet eller tannhjulene.

Det er viktig at sykkelen er både komfortabel og trygg å bruke. Følg instruksjonene for hvordan du bruker eller justerer de forskjellige delene av sykkelen.

BREMSER

Bremse foran - venstre side (håndbetjent)

Bremse bak - tråkke bakover

Slik bruker du bremsen på en sikker måte

1. Bruk først pedalbremsen og deretter forbremsen.

MERK:

For å aktivere pedalbremsen, tråkk bakover.

2. Ikke bruk forbremsen når du svinger.

MERK:

- **Det er veldig viktig å huske dette når du svinger i skarpe kurver eller sykler på røft eller glatt underlag.**

- **Bremsekapasiteten reduseres på våte eller glatte veier. Sykle saktere og brems tidligere.**
- **Ikke kjør sykkelen hvis bremsene ikke fungerer som de skal.**

VEDLIKEHOLD

DEKKVEDLIKEHOLD OG HJULJUSTERINGER

- Dekkene må ha riktig lufttrykk. Se informasjonen som er angitt på siden av dekkene.
- Pump dekkene med en fotpumpe eller håndpumpe med en passende ventiltilkobling. Kontroller trykket med en trykkmåler.
- Låsing av bremses og skrensing sliter på dekkene. Undersøk alltid dekkene slik at de ikke blir skadet.
- Unngå kontakt med olje, bensin, parafin og andre midler som løser opp gummi.
- Undersøk hjulene, pass på at de ikke er bøyd og er riktig justert. Sidene på dekkene må ikke berøre rammen, forgaffelen eller forbremsen.
- Kontroller at dekkene ikke er slitte eller sprukket. Pass på at slitebanen på dekkene ikke er slitt ned og at det ikke er skader, sprekker eller ujevn slitasje på dekket. Skift ut slitte eller skadede dekk umiddelbart.
- Skarpe steiner eller ujevne overflater kan punktere dekkene. Kontroller lufttrykket i dekkene med jevne mellomrom. Se på siden av dekket for å finne riktig lufttrykk. Hvis dekkets lufttrykk oppgis i et intervall, skal du alltid bruke den laveste verdien.

FELGER

De fleste felger har en slitasjeindikator i form av en linje langs siden av felgen. Felgen bør skiftes ut når denne linjen er helt eller delvis slitt av.

KJEDE

Smøring

Kjedet bør smøres regelmessig; Bruk en egnet kjedeolje. Kontroller at kjedet ikke banker når du sykler eller at det er skadet. Hold alltid kjedet smurt med olje.

1. Slik smører du kjedet
2. Tråkk noen omdreininger slik at oljen kommer inn i leddene.
3. Tørk av kjedet med en klut eller svamp.

BREMSE

- Kontroller bremsejusteringen og smør bremsefjærene regelmessig.
- Smør de utsatte delene av ledningene for å gi beskyttelse mot korrosjon. Hvis det er vanskelig å bremse, kan dette skyldes at ledningene ikke er riktig smurt. Bremsevaierne må fjernes for å smøre dem.
- Bytt bremseklossene før de blir helt utslitt. Når mønsteret er slitt av, eller slitasjeindikatoren vises, er det på tide å bytte dem ut.

MERK:

- **For å bremse jevnt må hjulene ikke spennes, de må være riktig justert og sidene på felgene må være glatte uten noen hakk eller bulker. Bremseklossene må være riktig justert til sidene av felgene. Beskytt endene på ledningene med endestykker, slik at ledningene ikke frynser.**

NO

- **Bremsene må ikke sette seg fast eller forbli presset mot felgene når de ikke brukes. Hvis bremsene setter seg fast, må du sjekke at ledningene og bremsespakene er rene og smurte.**

Justering

Et kjede som ikke er ordentlig strammet kan være farlig. Hvis kjedet kan beveges mer enn 1 cm opp eller ned, må det strammes.

1. Løsne mutterne på bakhjulet og trekk hjulet bakover.
2. Stram til mutterne. Sørg for at hjulet er montert rett.
3. Kontroller at hjulet er riktig strammet.

SIKKERHEDSANVISNINGER

- Den maksimale belastning indbefatter cyklisten og bagagen.

Mål	Maks. belastning
12"	20 kg

Kontroller følgende før brug:

- Fælgene skal være i god stand og ubeskadigede. En slidt fælg udgør en sikkerhedsrisiko og skal udskiftes.
- Skrueforbindelser og komponenter skal være korrekt tilspændte og må ikke være slidte eller beskadigede.
- Sædet skal være indstillet til en komfortabel position.
- Bremserne skal fungere korrekt.
- Styret skal kunne drejes frit og uden slør.
- Hjulene må ikke være skæve, og de skal sidde korrekt fast i bag- og forgaffel.
- Dækkene skal være i god stand, og de skal have det korrekte dæktryk.
- Pedalerne skal være korrekt monteret i pedalarmene.
- Alle reflekser skal være sat på.
- Efter enhver justering skal du kontrollere, at alle skrueforbindelser er spændt korrekt, og at ledningerne ikke er beskadigede og er korrekt fastgjorte langs rammen.
- Anbefaling: Få en cykelhandler til at udføre en cykelservice hver 6. måned eller oftere, hvis cyklen bruges hyppigt. Udfyld servicebogen efter hver service.

Trafiksikkerhed

- Brug altid cykelhjelm.
- Overhold de lokale færdselsregler.
- Placer ikke noget på cyklen, som kan komme i klemme og dermed blokere cyklens funktioner.
- Kør ikke i samme side som modkørende trafik.
- Kør ikke ved siden af en anden cykel.
- Lad ikke andre køre med på cyklen, hvis den ikke er beregnet til dette.

- Undlad pludselige sving ud i trafikken.
- Hæng ikke noget på styret, som gør det svært at styre cyklen, eller som kan sætte sig fast i forhjulet.
- Hold ikke fast i et andet køretøj, imens du cykler.
- Kør ikke for tæt på et køretøj, der kører foran dig.

Cykelture i regnvej eller på våde veje:

- Vand og is reducerer bremsekræften. Kør langsommere og brems tidligere i vådt vejr end i tørt vejr.
- Overhold de lokale regler, når du cykler i mørke:
 - Ud over de reflekser, der allerede er monteret på cyklen, skal cyklen udstyres med en forlygte med hvidt lys og en baglygte med rødt lys.
 - Bær lyst tøj og en jakke med reflekser, hvis det er muligt.
 - Kontroller, at cyklens reflekser er monteret og placeret korrekt, at de er rene, og at de ikke er tildækkede. Udskift straks beskadigede reflekser.

Service

- Brug kun identiske reservedele ved udskiftning af dele, der er vigtige for sikkerheden. Tjek Julas varehus for originale dele. Dermed sørger du for, at cyklen altid er sikker at bruge.

WARNING!

- På samme måde som alt andet mekanisk udstyr udsættes en cykel for slid, når du bruger den. Forskellige materialer og komponenter reagerer forskelligt på slid og belastning. Hvis levetiden for en del af cyklen (inklusive stel, forgaffel og komponenter) er overskredet, er der risiko for, at delen pludselig går i stykker, og at du derved mister kontrollen over cyklen og falder af. Revner, ridser eller farveændringer på steder, der er udsat for en stor belastning, er tegn på, at komponentens levetid er udløbet, og at komponenten skal udskiftes.

- Undlad at montere styrstammen eller sadelpinden over markeringen for den øverste position.

WARNING!

- Undlad at foretage ændringer på produktet.
- Produktet er ikke designet til at blive brugt offroad eller til freestyle-cykling, stunt-tricks, konkurrencer og lignende. Brug kun produktet til det udspecificerede formål. Du er personligt ansvarlig for eventuelle følgeskader eller andre skader, der opstår som følge af brugen af cyklen på denne måde. Forhandleren fraskriver sig ethvert ansvar for følgeskader eller andre tab i forhold til den person, der har købt den pågældende cykel, eller en tredjepart.
- Det er vigtigt at informere barnet om cyklens funktioner, især om sikker brug af bremserne.
- Produktet er ikke egnet til montering af bagagebærer og barnesæde.

BESKRIVELSE

- A. Sadel
- B. Sadelpindens højde
- C. Bagskærm
- D. Beslag til støttehjul
- E. Kædeskærm
- F. Pedal med refleks
- G. Forgaffel
- H. Cykelstel
- I. Styr
- J. Ringeklokke
- K. Beskyttelsesudstyr
- L. Bremskabel
- M. V-bremse foran
- N. Forskærm
- O. Hjul

FIG. 1

SAMLEVEJLEDNING

MOMENTKRAV

Delsamling	Forslået moment	
	ft-lb	Nm
Møtrik på forhjulsaksel	21–23	27–31
Spændebolt til styret	18–20	24–28
Bolt til udvidelse af styrstammen	15–18	20–24
Pedaler	18–20	24–28
Sæde	15–20	20–28
Baghjulets akselmøtrik	21–23	27–31
Håndtagets brydemøtrikker	6–7	14-18

Pedaler

BEMÆRK:

- **Der er to forskellige pedaler, venstre og højre (L, R). Pedalen markeret med R skal sættes på højre pedalarm, og pedalen markeret med L skal sættes på venstre pedalarm.**
- **Brug et passende smøremiddel på pedalerens gevind, når du monterer dem.**

Sådan monteres højre pedal (R)

Monter højre pedal (A) på pedalarmen på produktets kædeside, og spænd forsigtigt pedalen med en skruenøgle.

Sådan fastgøres venstre pedal (L)

Monter venstre pedal (B) på pedalarmen på modsatte side af kæden, drej den imod urets retning, og spænd den forsigtigt med en skruenøgle.

FIG. 2

SAMLING AF SKÆRME

BEMÆRK:

For at montere skærmen skal du fjerne møtrikken på gafflen som vist på figur (A).

- Når møtrikkerne er blevet fjernet, sættes skærmen på, møtrikkerne sættes på igen, og boltene spændes (B).

FIG. 3

SAMLING AF FORHJUL

- Løsn bremsekabelmøtrikken med det medfølgende multiværktøj.
- Løsn de ydre hjulmøtrikker helt ud til kanten af gevindet, og sæt hjulet på plads. (A)

BEMÆRK:

Sørg for, at spændeskiven og møtrikken sidder på ydersiden af hjulgafflen.

- Sæt kroen på spændeskiven ind i hullet på begge sider af gafflen (B).
- Spænd hjulmøtrikkerne med multiværktøjet (C).

FIG. 4

MONTERING ELLER JUSTERING AF BREMSE

BEMÆRK:

Du kan få brug for en anden person til at hjælpe dig med denne proces.

- Løsn bremseklostmøtrikkerne, og juster bremseklosterne ved behov. Sørg for, at bremseklosterne er placeret vandret og ikke lodret, som vist i figur A.
- Løsn kabelboltmøtrikken (B), og træk bremsekablet ned (C).
- Juster bremsen til den rette spænding, og spænd boltene med multiværktøjet (D).

FIG. 5

SÅDAN MONTERES SADLEN

- Løsn den klemmeskrue, der holder sadelpinden fast på sadelrøret.
- Indstil sadelpinden til den ønskede højde, og spænd spændeskruen.

FIG. 6

BEMÆRK:

- **Sørg for, at sadelpinden befinder sig under markeringen for den øverste position. Du må ikke kunne se markeringen for den øverste position.**
- **Spænd sadelpindens klemmeskrue og møtrik til 20-28 Nm. Brug en 13 mm sekskantnøgle. Kontroller, at sadelpinden sidder godt fast, ved at prøve at dreje sadlen med hånden (dette må ikke være muligt).**
- **Kør ikke på produktet, hvis sadlen eller sadelpinden ikke er spændt korrekt.**

Sadelhøjde

- For at finde den korrekte sadelhøjde skal du placere en af pedalerne i den nederste position.
- Sæt dig på sadlen med sko på, og sørg for, at hælen lige når ned til pedalen med udstrakt ben.
- Når du cykler med fodsålen på pedalen, skal benet være let bøjet, når pedalen er i sin nederste position, se figur 6.

STYRSTAMME

- Løsn ekspanderboltene på den nederste del af styrstammen, indtil ekspansionsnøglen løsner sig. (A)
- Bank forsigtigt på ekspanderboltene, hvis nøglen ikke løsner sig af sig selv. (B)
- Flyt styrestammen op eller ned til en passende højde. Juster styrets position, så bremsegrebene er nemme at nå og føles behagelige for cyklisten. (C)
- Spænd ekspanderboltene godt. (D)
- Kontroller, at styrestammen er på linje med forhjulet. Juster den ved behov. (E)

FIG. 7

BEMÆRK:

- **Der er en markering på styrstammen, som viser, hvor meget den kan stikke ud fra gaffelrøret. Denne markering må ikke kunne ses, når styrstammen er monteret. Styrstammen skal sættes så langt ind i gaffelrøret, at markeringen ikke kan ses.**
- **Når du har justeret til den korrekte højde, skal du kontrollere og justere styret til den korrekte vinkel i forhold til forhjulet.**
- **Spænd ekspanderbolten godt. Det er meget vigtigt, at ekspanderbolten er spændt korrekt.**
- **Kontroller, at styrstammen sidder godt fast, ved at stille dig foran cyklen med benene på hver side af forhjulet. Hold hjulet fast med benene, og prøv at dreje styret sidelæns. Styrstammen må ikke rotere i gaffelrøret.**
- **Stram ikke styrstammen for meget. Den skal kunne give sig lidt, hvis du falder af cyklen.**
- **Placer styret vandret, og spænd spændeskruen godt.**

SÅDAN INSTALLERES STØTTEHJULENE

- Fjern kuppelmøtrikken og spændeskiven. Sørg for, at den rektangulære skive er placeret i den korrekte position som vist i figur 8 (A).
- Sæt støttehjulet på, og fastgør det med skiven og møtrikken (B).
- Spænd hjulmøtrikken med multiværktøjet som vist (C).
- Gentag processen på den anden side.
- Kontroller, at støttehjulet ikke rører jorden, når cyklen er i vater. (D)

FIG. 8

Støttehjul

- Sørg for, at støttehjulene er justeret til den korrekte højde. Hvis støttehjulene er placeret for lavt, kan de forstyrre cyklens vinkel og have en negativ effekt på bremsekraften, hvis baghjulet løfter sig for højt fra jorden. For at undgå dette kan du placere støttehjulene højere op, når barnet bliver bedre til at cykle.

INSTALLATION AF TILBEHØR

- Monter ringeklokken på styret, og sæt reflekserne på cyklen, ved hjælp af en skruetrækker. Bemærk! En skruetrækker medfølger ikke.

FIG. 9

BRUG**WARNING!**

Brug en bukseklemme eller lignende udstyr for at minimere risikoen for, at bukserne kommer i klemme i kæden eller tandhjulene.

Det er vigtigt, at cyklen er både behagelig og sikker at bruge. Følg instruktionerne om, hvordan du bruger eller justerer cyklens forskellige dele.

BREMSE

Forbremse - venstre side (Håndbetjent)

Bagbremse - bagpedalering

Sådan bruges bremserne sikkert

1. Brug først fodbremsen og derefter forbremsen.

BEMÆRK:

Træd baglæns for at aktivere fodbremsen.

2. Brug ikke forbremsen, når du drejer.

BEMÆRK:

- **Det er meget vigtigt at huske dette, når man drejer i et skarpt sving eller kører på ujævne eller glatte overflader.**

- **Våde eller glatte veje reducerer bremseevnen. Kør langsommere, og bremser tidligere.**
- **Kør ikke på cyklen, hvis bremserne ikke fungerer korrekt.**

VEDLIGEHOLDELSE

VEDLIGEHOLDELSE AF DÆK OG JUSTERING AF HJUL

- Dækkene skal have det korrekte lufttryk. Se de oplysninger, der er angivet på siden af dækkene.
- Pump dækkene med en fodpumpe eller en håndpumpe med en passende ventiltilslutning. Kontroller trykket med en trykmåler.
- Når man bremser og skrider ud, slides på dækkene. Undersøg hyppigt dækkene for beskadigelser.
- Undgå kontakt med olie, benzin, paraffin og andre stoffer, der opløser gummi.
- Undersøg hjulene, og sørg for, at de ikke er bøjedede, og at de er korrekt justeret. Dækkets sider må ikke røre stellet, forgaflen eller forbremseren.
- Kontroller, at dækkene ikke er slidte eller revnede. Sørg for, at slidbanen på dækkene ikke er slidt ned, og at der ikke er skader, revner eller ujævnt slid på dækket. Udskift straks slidte eller beskadigede dæk.
- Skarpe sten eller ujævne overflader kan punktere dækkene. Kontroller dækkens lufttryk med jævne mellemrum. Oplysninger om det korrekte dæktryk står på siden af dækket. Hvis inflationstrykket er angivet som et interval, skal du altid bruge den laveste værdi.

FÆLGE

De fleste fælge har en slidindikator i form af en streg på siden af fælgen. Fælgen skal udskiftes, når denne linje er helt eller delvist slidt af.

KÆDE

Smøring

Kæden skal regelmæssigt smøres med en passende kædeolie. Kontroller, at kæden ikke banker, når du cykler, eller at den er beskadiget. Sørg for, at kæden altid er smurt med olie.

1. Smør kæden.
2. Træd et par omgange, så der trænger olie ind i leddene.
3. Tør kæden af med en klud eller svamp.

BREMSE

- Kontroller bremsejusteringen, og smør regelmæssigt bremsefjedrenes drejetapper.
- Smør de udsatte dele af kablerne for at beskytte dem mod korrosion. Hvis det er svært at bremse, kan det skyldes, at kablerne ikke er smurt korrekt. Bremsekablerne skal afmonteres for at blive smurt.
- Udskift bremseklodserne, før de bliver helt slidte. Når mønsteret er slidt af, eller slidindikatoren viser tegn på dette, er det tid til at udskifte dem.

BEMÆRK:

- **For at kunne bremse jævnt må hjulene ikke være eksede. De skal være korrekt justeret, og fælgenes sider skal være glatte uden nogen fordybninger. Bremseklodserne skal være korrekt justeret i forhold til fælgenes sider. Beskyt kabelenderne med endestykker, så kablerne ikke flosser.**

- **Bremserne må ikke gå trægt eller være presset ind mod fælgene, når de ikke bruges. Hvis bremserne blokerer, skal du kontrollere, at kablerne og bremsegrebene er rene og smurte.**

Justering

En kæde, der ikke er korrekt spændt, kan være farlig. Hvis kæden kan bevæges mere end 1 cm "op eller ned", skal den spændes.

1. Løsn møtrikkerne til baghjulet, og træk hjulet bagud.
2. Spænd møtrikkerne. Sørg for, at hjulet er monteret lige.
3. Kontroller, at hjulet er spændt korrekt.

ZASADY BEZPIECZEŃSTWA

- Maksymalne obciążenie obejmuje rowerzystę i bagaż.

Wymiary	Maks. obciążenie
12"	20 kg

Przed użyciem sprawdź następujące elementy:

- Upewnij się, że obręcze są w dobrym stanie i nie są uszkodzone. Zużyta obręcz stanowi zagrożenie dla bezpieczeństwa i powinna zostać wymieniona.
- Złącza śrubowe i komponenty są prawidłowo dokręcone i nie są zużyte ani uszkodzone.
- Siodełko jest wygodnie wyregulowane.
- Hamulce działają prawidłowo.
- Kierownica nie zacina się lub nie ma zbyt dużego luzu.
- Koła nie są wygięte i są prawidłowo zamocowane w tylnym i przednim widelcu.
- Opony są w dobrym stanie i mają prawidłowe ciśnienie.
- Pedał są prawidłowo zamontowane w korbach.
- Wszystkie odblaski są zamocowane.
- Po każdej regulacji należy sprawdzić, czy wszystkie złącza śrubowe są prawidłowo dokręcone, a linki nie posiadają uszkodzeń i są prawidłowo zamocowane wzdłuż ramy.
- Zalecenie: czynności serwisowe roweru należy wykonywać w serwisie rowerowym co 6 miesięcy. Czynności serwisowe muszą być wykonywane częściej, jeśli rower jest używany częściej. Po każdym przeglądzie serwisowym należy wypełnić dokumentację serwisową.

Bezpieczeństwo na drodze

- Zawsze noś kask rowerowy.
- Przestrzegaj lokalnych przepisów ruchu drogowego.
- Nie umieszczaj na rowerze żadnych przedmiotów, które mogłyby się zaczepić o elementy roweru i utrudniać korzystanie z jego funkcji.
- Nie poruszaj się po tej samej stronie jezdni co nadjeżdżające z przeciwka pojazdy.

- Nie jedź obok innego roweru.
- Nie przewoź pasażerów na rowerach, które nie są do tego przeznaczone.
- Nie wychylaj się w kierunku innych pojazdów w ruchu.
- Nie zawieszaj na kierownicy żadnych przedmiotów, które utrudniają kierowanie lub mogą zaczepić się o przednie koło.
- Nie wolno zaczepiać się o inny pojazd.
- Nie należy jechać zbyt blisko poprzedzającego pojazdu.

Jazda na rowerze w deszczu lub po mokrej nawierzchni:

- Woda i lód zmniejszają siłę hamowania. Na mokrej nawierzchni należy jeździć wolniej i hamować wcześniej niż na suchej nawierzchni.
- Podczas jazdy po zmroku przestrzegaj lokalnych przepisów:
 - Rower musi być wyposażony w przednią lampę z białym światłem i tylną lampę z czerwonym światłem, oprócz odblasków już zamontowanych na rowerze.
 - Jeśli to możliwe, noś jaskrawe ubrania i kamizelkę odblaskową.
 - Sprawdź, czy elementy odblaskowe roweru są prawidłowo zamocowane i ustawione, czyste i niezastłonięte. Uszkodzone odblaski należy natychmiast wymienić.

Serwisowanie

- W przypadku wymiany części istotnych dla bezpieczeństwa należy używać wyłącznie identycznych części zamiennych. Oryginalne części zamienne dostępne są w multimarketach Jula. Oryginalne części zagwarantują bezpieczeństwo użytkowania roweru.

OSTRZEŻENIE!

- Rower, jak każdy sprzęt mechaniczny, ulega zużyciu podczas użytkowania. Różne materiały i komponenty w różny sposób reagują na zużycie i naprężenia. Jeśli żywotność jakiegokolwiek części roweru (w tym ramy, widelca i komponentów) zostanie przekroczona, istnieje ryzyko nagłego pęknięcia części, utraty kontroli i

upadku. Pęknięcia, zarysowania lub zmiany koloru w obszarach narażonych na wysokie poziomy naprężenia wskazują, że komponent osiągnął koniec swojej żywotności i powinien zostać wymieniony.

- Nie ustawiaj sztycy kierownicy lub sztycy siodełka powyżej oznaczenia górnego położenia.

OSTRZEŻENIE!

- Nie wprowadzaj żadnych modyfikacji w produkcji.
- Produkt nie jest przeznaczony do jazdy terenowej, freestyle'u rowerowego, trików kaskaderskich, zawodów i innych podobnych zastosowań. Używaj produktu wyłącznie zgodnie z jego przeznaczeniem. Użytkownik ponosi osobistą odpowiedzialność za wszelkie późniejsze obrażenia lub inne szkody wynikające z korzystania z roweru w ten sposób. Dealer zrzeka się wszelkiej odpowiedzialności za jakiegokolwiek szkody następcze lub inne straty w odniesieniu do osoby, która zakupiła ten rower lub jakiegokolwiek strony trzeciej.
- Ważne jest, aby poinformować dziecko o funkcjach roweru, zwłaszcza o bezpiecznym korzystaniu z hamulców.
- Produkt nie nadaje się do montażu bagażnika i fotelików dziecięcych. Produkt nie nadaje się do montażu bagażnika i fotelików dziecięcych.

OPIS

- Siodełko
- Wysokość sztycy siodełka
- Tylny błotnik
- Mocowanie kótek podporowych
- Ostona łańcucha
- Pedał z odblaskiem
- Przedni widelec
- Rama roweru
- Kierownica
- Dzwonek
- Ostony bezpieczeństwa
- Linka hamulcowa
- Przedni hamulec typu V
- Przedni błotnik
- Koła

RYS. 1

MONTAŻ

WYMAGANIA DOTYCZĄCE MOMENTU OBROTOWEGO

Montaż części	Sugerowany moment obrotowy	
	ft-lb	Nm
Nakrętka osi koła przedniego	21–23	27–31
Śruba mocująca kierownicę	18–20	24–28
Śruba rozprężna mostka kierownicy	15–18	20–24
Pedały	18–20	24–28
Siedziba	15–20	20–28
Nakrętka osi koła tylnego	21–23	27–31
Nakrętki zabezpieczające uchwyt	6–7	14-18

Pedały

UWAGA:

- W zestawie są 2 różne pedały, lewy i prawy (L, R). Pedał oznaczony literą R musi być przymocowany do prawej korby, a pedał oznaczony literą L do lewej korby.
- Podczas montażu pedałów należy użyć odpowiedniego smaru na gwintach pedałów.

Montaż prawego pedału (R)

Zamontuj prawy pedał (A) do korby po stronie łańcucha i ostrożnie dokręć go kluczem.

Montaż lewego pedału (L)

Zamontuj lewy pedał (B) do korby na po przeciwnej stronie łańcucha, obracając go w kierunku przeciwnym do ruchu wskazówek zegara i ostrożnie dokręć kluczem.

RYS. 2

MONTAŻ BŁOTNIKA

UWAGA:

Aby zamocować błotnik, odkręć nakrętkę na widelcu, jak pokazano na rysunku (A)

- Po zdjęciu nakrętek załóż błotnik i ponownie zamontuj nakrętki oraz dokręć śruby (B).

RYS. 3

MONTAŻ PRZEDNIEGO KOŁA

- Poluzuj nakrętkę linki hamulca za pomocą dostarczonego narzędzia wielofunkcyjnego.
- Poluzuj zewnętrzne nakrętki koła aż do krawędzi gwintu i załóż koło. (A)

UWAGA:

Upewnij się, że podkładka zabezpieczająca i nakrętka znajdują się po zewnętrznej stronie widelca koła.

- Włóż haczyki podkładek zabezpieczających do otworów po obu stronach widelca (B).
- Dokręć nakrętki kół za pomocą narzędzia wielofunkcyjnego (C).

RYS. 4

MONTAŻ LUB REGULACJA HAMULCA

UWAGA:

Podczas tej czynności może być niezbędna pomoc drugiej osoby.

- Poluzuj nakrętki klocków hamulcowych i w razie potrzeby wyreguluj klocki hamulcowe. Upewnij się, że klocki hamulcowe są ustawione poziomo, a nie pionowo – jak pokazano na rysunku A.
- Poluzuj nakrętkę śruby linki (B) i pociągnij linkę hamulca w dół (C).
- Wyreguluj hamulec do odpowiedniego napięcia i dokręć śrubę za pomocą narzędzia wielofunkcyjnego (D).

RYS. 5

MONTAŻ SIODEŁKA

- Poluzuj śrubę mocującą sztycę siodełka do rury siodełka.
- Ustaw sztycę siodełka na odpowiedniej wysokości i dokręć śrubę zaciskową.

RYS. 6

UWAGA:

- **Upewnij się, że sztyca siodełka znajduje się niżej niż oznaczenie górnej pozycji. Oznaczenie górnej pozycji nie powinno być widoczne.**
- **Dokręć śrubę i nakrętkę mocującą sztycę siodełka z siłą 20-28 Nm. Użyj klucza 13 mm. Poprzez próbę obrotu siodełka ręcznie sprawdź, czy sztyca siodełka jest dobrze zamocowana (obracanie siodełka nie powinno być możliwe).**
- **Nie należy jeździć na rowerze, jeśli siodełko lub sztyca siodełka nie są prawidłowo dokręcone.**

Wysokość siodełka

- Aby znaleźć prawidłową wysokość siodełka, należy ustawić jeden z pedałów w najniższej pozycji.
- Usiądź na siodełku w butach i sprawdź, czy pięta przy wyprostowanej nodze sięga do pedału.

- Podczas jazdy, gdy pedał znajduje się w najniższym położeniu a podeszwa buta na pedale, noga powinna być lekko zgięta. Patrz rysunek 6.

SZTYCA KIEROWNICY

- Odkręcaj śrubę rozporową kierownicy, aż do poluzowania zaczepu rozporowego w dolnej części sztycy. (A)
- Ostrożnie stuknij śrubę rozporową, jeśli zaczep nie poluzuje się samoczynnie. (B)
- Przesuń sztycę kierownicy w górę lub w dół do odpowiedniej wysokości. Dostosuj pozycję kierownicy tak, aby dźwignie hamulca były łatwo dostępne i wygodne dla rowerzysty. (C)
- Mocno dokręć śrubę rozporową. (D)
- Sprawdź, czy sztyca kierownicy znajduje się w jednej linii z przednim kołem. W razie potrzeby wyreguluj. (E)

RYS. 7

UWAGA:

- **Na sztycy kierownicy znajduje się oznaczenie pokazujące, jak bardzo może ona wystawać z rury widelca. Oznaczenie to nie powinno być widoczne po zamontowaniu sztycy kierownicy. Sztyca kierownicy musi być wsunięta na tyle daleko w rurę widelca, aby oznaczenie nie było widoczne.**
- **Po ustawieniu odpowiedniej wysokości sprawdź i ustaw kierownicę pod odpowiednim kątem względem przedniego koła.**
- **Mocno dokręć śrubę rozporową. Bardzo ważne jest prawidłowe dokręcenie śruby rozporowej.**
- **Sprawdź, czy sztyca kierownicy jest prawidłowo zamocowana, stając przed rowerem z nogami po obu stronach przedniego koła. Przytrzymaj koło nogami i spróbuj obrócić kierownicę w bok. Sztyca kierownicy nie może obracać się w rurze widelca.**

- **Nie dokręcaj zbyt mocno sztycy kierownicy. Powinna być w stanie nieco się odgiąć w przypadku upadku z roweru.**
- **Ustaw uchwyty kierownicy poziomo i mocno dokręć śrubę mocującą.**

MONTAŻ KÓŁEK PODPOROWYCH

- Odkręć i zdejmij nakrętkę kołpakową i podkładkę. Upewnij się, że prostokątna podkładka jest umieszczona we właściwej pozycji, jak pokazano na rysunku 8 (A).
- Zamocuj stabilizator i zabezpiecz go podkładką i nakrętką (B).
- Dokręć nakrętkę koła za pomocą narzędzia wielofunkcyjnego, jak pokazano na rysunku (C).
- Powtórz proces po przeciwnej stronie.
- Sprawdź, czy koło stabilizatora nie dotyka podłoża, gdy rower stoi równo. (D)

RYS. 8

Kółka podporowe

- Upewnij się, że kółka podporowe są ustawione na prawidłowej wysokości. Jeśli kółka podporowe są ustawione zbyt nisko, może to kolidować z kątem nachylenia roweru i może mieć negatywny wpływ na siłę hamowania, jeśli tylne koło podniesie się zbyt wysoko od podłoża. Aby temu zapobiec, należy ustawić kółka podporowe wyżej, gdy dziecko będzie lepiej radzić sobie z jazdą na rowerze.

INSTALACJA AKCESORIÓW

- Zamontuj dzwonek na kierownicy i odbłaski na rowerze za pomocą śrubokręta. Uwaga! Śrubokręt nie jest dołączony do zestawu.

RYS. 9

ZASTOSOWANIE

OSTRZEŻENIE!

Użyj opaski na nogawkę lub podobnego rozwiązania, aby zminimalizować ryzyko wkręcenia się nogawki w łańcuch lub szprychy.

Ważne jest, aby rower był zarówno wygodny, jak i bezpieczny w użyciu. Postępuj zgodnie z instrukcjami dotyczącymi użytkowania lub regulacji różnych części roweru.

HAMULCE

Hamulec przedni - lewy (sterowany ręcznie)

Przerwa tylna - pedałowanie z tyłu

Bezpieczne używanie hamulca

1. Najpierw używaj hamulca nożnego, a następnie przedniego.

UWAGA:

Aby użyć hamulca nożnego, obróć pedały do tyłu.

2. Nie używaj przedniego hamulca podczas skręcania.

UWAGA:

- **Bardzo ważne jest, aby pamiętać o tym podczas skręcania w ostrych zakrętach i jazdy po nierównej lub śliskiej nawierzchni.**
- **Skuteczność hamowania jest zmniejszona na mokrych lub śliskich drogach. Jedź wolniej i hamuj wcześniej.**
- **Nie korzystaj z roweru, jeśli hamulce nie działają prawidłowo.**

KONSERWACJA

KONSERWACJA OPON I REGULACJA KÓŁ

- Opony muszą mieć prawidłowe ciśnienie powietrza. Zapoznaj się z informacjami podanymi na boku opon.

- Opony należy pompować pompką nożną lub ręczną z odpowiednim przyłączem zaworu. Sprawdź ciśnienie za pomocą manometru.
- Blokowanie hamulców i poślizg powodują zwiększone zużycie opon. Zawsze sprawdzaj, czy opony nie są uszkodzone.
- Zapobiegaj kontaktowi opon z olejem, benzyną, parafiną lub innymi środkami rozpuszczającymi gumę.
- Sprawdź koła, upewnij się, że nie są wygięte i są prawidłowo ustawione. Boki opon nie mogą dotykać ramy, przedniego widelca ani przedniego hamulca.
- Sprawdź, czy opony nie są zużyte lub popękane. Upewnij się, że bieżnik na oponach nie jest zużyty i nie ma uszkodzeń, pęknięć lub nierównomiernego zużycia. Natychmiast wymień zużyte lub uszkodzone opony.
- Ostre kamienie lub nierówne powierzchnie mogą spowodować przebicie opon. Regularnie sprawdzaj ciśnienie powietrza w oponach. Prawidłowa wartość ciśnienia powietrza w oponie podana jest z boku opony. Jeśli podane ciśnienie jest zakresem wartości, zawsze zastosuj wartość niższą.

OBRĘCZE

Większość obręczy posiada wskaźnik zużycia w postaci linii wzdłuż boku obręczy. Obręcz należy wymienić, gdy linia ta jest całkowicie lub częściowo wytarta.

ŁAŃCUCH

Smarowanie

Łańcuch powinien być regularnie smarowany; należy używać odpowiedniego oleju do łańcucha. Sprawdź, czy łańcuch nie stuka podczas jazdy lub czy nie jest uszkodzony. Łańcuch powinien być zawsze nasmarowany.

1. Nasmaruj łańcuch.
2. Wykonaj kilka obrotów pedałami, aby olej dostał się do ogniw.
3. Przetrzyj łańcuch szmatką lub gąbką.

HAMULCE

- Regularnie sprawdzaj regulację hamulców i smaruj sworznie sprężyn hamulcowych.
- Nasmaruj odsłonięte części linek, aby zapewnić ochronę przed korozją. Jeśli hamowanie jest utrudnione, może to być spowodowane nieprawidłowym nasmarowaniem linek. Linki hamulcowe należy zdemontować w celu ich nasmarowania.
- Wymieniaj klocki hamulcowe, zanim ulegną całkowitemu zużyciu. Gdy wzór się zetrze lub pojawi się wskaźnik zużycia, należy je wymienić.

UWAGA:

- **Aby hamowanie było płynne, koła nie mogą być wygięte, muszą być prawidłowo wyregulowane, a boki obręczy muszą być gładkie i pozbawione wgnieć. Klocki hamulcowe muszą być prawidłowo wyregulowane względem boków obręczy. Zabezpiecz końce linek nasadkami, aby linki się nie strzępiły.**
- **Hamulce nie mogą się zacinać ani pozostawać dociśnięte do obręczy, gdy nie są używane. Jeśli hamulce zacinają się, sprawdź, czy linki i dźwignie hamulców są czyste i nasmarowane.**

Regulacja

Nieprawidłowo napięty łańcuch może być niebezpieczny. Jeśli łańcuch można przesunąć o więcej niż 1 cm w górę lub w dół, należy go napiąć.

1. Poluzuj nakrętki tylnego koła i pociągnij koło do tyłu.
2. Dokręć nakrętki. Upewnij się, że koło jest zamontowane prosto.
3. Sprawdź, czy koło jest prawidłowo dokręcone.

SICHERHEITSHINWEISE

- Die maximale Gewichtsbelastung umfasst den Radfahrer und das Gepäck.

Größe	Max. Last
12"	20 kg

Überprüfen Sie vor dem Gebrauch Folgendes:

- Stellen Sie sicher, dass die Felgen in gutem Zustand und unbeschädigt sind. Eine abgenutzte Felge stellt ein Sicherheitsrisiko dar und sollte ersetzt werden.
- Verschraubungen und Teile sind korrekt angezogen und nicht abgenutzt oder beschädigt.
- Der Sitz ist bequem eingestellt.
- Die Bremsen funktionieren einwandfrei.
- Der Lenker klemmt nicht bzw. hat nicht zu viel Spiel.
- Die Räder sind nicht verzogen und sind korrekt in der Hinter- und Vordergabel befestigt.
- Die Reifen sind in gutem Zustand und haben den richtigen Reifendruck.
- Die Pedale sind korrekt in den Kurbeln installiert.
- Alle Reflektoren sind angebracht.
- Prüfen Sie nach jeder Einstellung, ob alle Verschraubungen richtig angezogen sind und dass die Drähte nicht beschädigt und korrekt am Rahmen befestigt sind.
- Es wird empfohlen, das Fahrrad alle 6 Monate in einer Fahrradwerkstatt warten zu lassen, bei häufigerem Gebrauch muss die Wartung häufiger erfolgen. Füllen Sie die Wartungsprotokolle nach jeder Wartung aus.

Sicherheit im Straßenverkehr

- Tragen Sie immer einen Fahrradhelm.
- Halten Sie sich an die örtlichen Verkehrsregeln.
- Legen Sie keine Gegenstände auf das Fahrrad, die sich verfangen und die Funktionen des Fahrrads behindern können.
- Fahren Sie nicht auf der gleichen Seite wie der Gegenverkehr.

- Fahren Sie nicht neben einem anderen Fahrrad.
- Nutzen Sie das Fahrrad nur für den vorgesehenen Zweck.
- Schwenken Sie nicht in den Verkehr.
- Hängen Sie keine Gegenstände an den Lenker, die das Lenken erschweren oder sich im Vorderrad verfangen können.
- Hängen Sie sich nicht an ein anderes Fahrzeug.
- Fahren Sie nicht zu dicht an einem vorausfahrenden Fahrzeug.

Radfahren im Regen oder auf nassen Straßen:

- Die Bremsleistung wird durch Wasser und Eis reduziert. Fahren Sie bei nassem Wetter langsamer und bremsen Sie früher als bei trockenem Wetter.
- Befolgen Sie beim Radfahren in der Dunkelheit die örtlichen Vorschriften:
 - Das Fahrrad muss zusätzlich zu den bereits am Fahrrad angebrachten Reflektoren eine Frontleuchte mit weißem Licht und eine Rückleuchte mit rotem Licht haben.
 - Tragen Sie helle Kleidung und nach Möglichkeit eine Warnweste.
 - Prüfen Sie, ob die Reflektoren des Fahrrads richtig angebracht und positioniert sind, sauber und nicht verdeckt sind. Ersetzen Sie beschädigte Reflektoren sofort.

Wartung

- Verwenden Sie ausschließlich identische Ersatzteile, wenn Sie Teile ersetzen, die für die Sicherheit wichtig sind. Originalteile finden Sie bei JULA. Dadurch wird gewährleistet, dass das Fahrrad weiterhin sicher genutzt werden kann.

WARNUNG!

- Wie alle mechanischen Geräte unterliegt auch ein Fahrrad dem Verschleiß. Verschiedene Materialien und Bauteile reagieren unterschiedlich auf Verschleiß und Belastung. Wenn die Lebensdauer eines Teils (einschließlich des Rahmens, der Gabel und der Komponenten) überschritten wurde, besteht die Gefahr, dass das Teil plötzlich bricht und Sie die Kontrolle verlieren und

stürzen. Risse, Kratzer oder Farbveränderungen an stark beanspruchten Stellen weisen darauf hin, dass das Bauteil das Ende seiner Lebensdauer erreicht hat und ausgetauscht werden sollte.

- Montieren Sie die Lenkerstütze oder Sattelstütze nicht über der Markierung für die oberste Position.

WARNUNG!

- Nehmen Sie keine Änderungen an dem Produkt vor.
- Das Produkt ist nicht für den Einsatz im Gelände oder für Freestyle-Biking, Stunt-Tricks, Wettbewerbe und Ähnliches geeignet. Verwenden Sie das Produkt nur für den angegebenen Zweck. Sie haften persönlich für eventuelle Verletzungen oder andere Schäden, die durch die Benutzung des Fahrrads entstehen. Der Händler lehnt jede Haftung für Folgeschäden oder andere Verluste gegenüber dem Käufer des Fahrrads oder Dritten ab.
- Es ist wichtig, Kinder über die Funktionen des Fahrrads zu informieren, insbesondere über den sicheren Umgang mit den Bremsen.
- Das Produkt ist nicht für die Montage von Gepäckträgern und Kindersitzen geeignet.

BESCHREIBUNG

- A. Sattel
- B. Höhe der Sattelstütze
- C. Hinteres Schutzblech
- D. Befestigung der Stützräder
- E. Kettenschutz
- F. Pedal mit Reflektor
- G. Vorderradgabel
- H. Fahrradrahmen
- I. Lenker
- J. Klingel
- K. Schutzpolster
- L. Bremsdraht
- M. Vordere V-Bremse
- N. Vorderes Schutzblech
- O. Rad

ABB. 1

MONTAGE

ANFORDERUNGEN AN DAS DREHMOMENT

Teilemontage	Vorgeschlagenes Drehmoment	
	ft-lb	Nm
Mutter der Vorderradachse	21–23	27–31
Klemmschraube des Lenkers	18–20	24–28
Lenkervorbau-Expanderschraube	15–18	20–24
Pedale	18–20	24–28
Sitz	15–20	20–28
Hinterradachsmutter	21–23	27–31
Brechen von Muttern handhaben	6–7	14-18

Pedale

HINWEIS:

- **Es gibt 2 verschiedene Pedale, links und rechts (L,R). Das mit R gekennzeichnete Pedal muss am rechten Kurbelarm und das mit L gekennzeichnete Pedal am linken Kurbelarm befestigt werden.**
- **Verwenden Sie beim Einbau der Pedale ein geeignetes Schmiermittel für die Gewinde der Pedale.**

So befestigen Sie das rechte Pedal (R)

Montieren Sie das rechte Pedal (A) am Kurbelarm auf der Kettenseite des Produkts und ziehen Sie es vorsichtig mit einem Schraubenschlüssel fest.

So befestigen Sie das linke Pedal (L)

Montieren Sie das linke Pedal (B) am Kurbelarm auf der gegenüberliegenden Seite der Kette, drehen Sie es gegen den Uhrzeigersinn und ziehen Sie es vorsichtig mit einem Schraubenschlüssel fest.

ABB. 2

SCHUTZBLECHMONTAGE

HINWEIS:

Um das Schutzblech montieren zu können, müssen Sie die Mutter an der Gabel entfernen, wie in Abbildung (A) dargestellt.

- Wenn die Muttern entfernt wurden, befestigen Sie das Schutzblech und bringen Sie die Muttern wieder an und ziehen Sie die Schrauben (B) fest.

ABB. 3

VORDERRADMONTAGE

- Lösen Sie die Mutter des Bremszugs mit dem mitgelieferten Multifunktionswerkzeug.
- Lösen Sie die äußeren Radmutter bis zum Gewinderand und nehmen Sie das Rad ab. (A)

HINWEIS:

Achten Sie darauf, dass sich die Sicherungsscheibe und die Mutter an der Außenseite der Radgabel befinden.

- Stecken Sie den Haken der Sicherungsscheibe in das Loch auf beiden Seiten der Gabel (B).
- Ziehen Sie die Radmutter mit dem Multifunktionswerkzeug (C) fest.

ABB. 4

MONTAGE ODER EINSTELLUNG DER BREMSE

HINWEIS:

Möglicherweise benötigen Sie eine zusätzliche Hand, um diesen Vorgang zu erleichtern.

- Lösen Sie die Muttern der Bremsklötze, stellen Sie die Bremsklötze ggf. nach. Achten Sie darauf, dass die Bremsklötze horizontal und nicht vertikal gedreht sind, wie in Abbildung A dargestellt.
- Lösen Sie die Mutter der Drahtschraube (B) und ziehen Sie das Bremsseil nach unten (C).
- Stellen Sie die Bremse auf die richtige Spannung ein und ziehen Sie die Schraube mit dem Multifunktionswerkzeug (D) fest.

ABB. 5

SO BEFESTIGEN SIE DEN SATTEL

- Lösen Sie die Klemmschraube, mit der die Sattelstütze am Sattelrohr befestigt ist.
- Stellen Sie die Sattelstütze auf die gewünschte Höhe ein und ziehen Sie die Klemmschraube fest.

ABB. 6

HINWEIS:

- **Achten Sie darauf, dass die Sattelstütze tiefer liegt als die Markierung für die oberste Position. Die Markierung für die oberste Position sollte nicht zu sehen sein.**

- **Ziehen Sie die Klemmschraube und die Mutter der Sattelstütze mit 20-28 Nm an. Verwenden Sie einen 13-mm-Sechskantschlüssel. Prüfen Sie, ob die Sattelstütze fest sitzt, indem Sie den Sattel mit der Hand drehen (der Sattel darf sich nicht drehen lassen).**
- **Fahren Sie nicht mit dem Produkt, wenn der Sattel oder die Sattelstütze nicht richtig angezogen sind.**

Sattelhöhe

- Um die richtige Sattelhöhe zu ermitteln, stellen Sie eines der Pedale in die unterste Position.
- Setzen Sie sich mit Schuhen auf den Sattel und prüfen Sie, ob die Ferse bei gestrecktem Bein gerade bis zum Pedal reicht.
- Wenn Sie mit der Fußsohle das Pedal berühren, sollte das Bein leicht angewinkelt sein, wenn sich das Pedal in der untersten Position befindet. Siehe Abbildung 6.

LENKERSTANGE

- Lösen Sie die Klemmspindel am unteren Teil der Lenkerstange, bis sich der Schlüssel löst. (A)
- Klopfen Sie vorsichtig auf die die Klemmspindel, wenn sich der Schlüssel nicht von selbst löst. (B)
- Stellen Sie die Lenkerstange auf eine geeignete Höhe ein. Stellen Sie die Position des Lenkers so ein, dass die Bremshebel leicht zu erreichen sind und sich der Fahrer wohl fühlt. (C)
- Ziehen Sie die Klemmspindel fest an. (D)
- Überprüfen Sie, ob die Lenkerstange mit dem Vorderrad ausgerichtet ist. Bei Bedarf anpassen. (E)

ABB. 7

HINWEIS:

- **Die Lenkerstange ist mit einer Markierung versehen, die anzeigt, wie weit sie aus dem Gabelrohr herausragen darf. Diese Markierung darf nicht sichtbar sein, wenn die Lenkerstange montiert ist. Die Lenkerstange muss so weit in das Gabelrohr eingeführt werden, dass die Markierung nicht zu sehen ist.**
- **Nachdem Sie die richtige Höhe eingestellt haben, überprüfen Sie den Lenker und stellen Sie ihn im richtigen Winkel zum Vorderrad ein.**
- **Ziehen Sie die Klemmspindel fest an. Es ist sehr wichtig, dass die Klemmspindel richtig angezogen ist.**
- **Prüfen Sie, ob die Lenkerstange richtig befestigt ist, indem Sie sich vor das Fahrrad stellen und das Vorderrad zwischen ihre Beine platzieren. Halten Sie das Rad mit den Beinen fest und versuchen Sie, den Lenker zu drehen. Der Lenker darf sich im Gabelrohr nicht drehen.**
- **Ziehen Sie die Lenkerstange nicht zu fest an. Sie sollte etwas nachgeben können, wenn Sie vom Fahrrad fallen.**
- **Positionieren Sie die Lenkergriffe waagrecht und ziehen Sie die Klemmschraube fest an.**

SO BRINGEN SIE DIE STÜTZRÄDER AN

- Entfernen Sie die Hutmutter und die Unterlegscheibe. Vergewissern Sie sich, dass die rechteckige Unterlegscheibe in der richtigen Position angebracht ist, wie in Abbildung 8 (A) dargestellt.
- Befestigen Sie das Stützrad und sichern Sie es mit der Unterlegscheibe und der Mutter (B).
- Ziehen Sie die Radmutter wie dargestellt (C) mit dem Multifunktionswerkzeug fest.
- Wiederholen Sie den Vorgang auf der anderen Seite.
- Stellen Sie sicher, dass die Stützräder den Boden nicht berühren, wenn das Fahrrad waagrecht steht. (D)

ABB. 8

Stützräder

- Stellen Sie sicher, dass die Stützräder auf die richtige Höhe eingestellt sind. Wenn die Stützräder zu niedrig eingestellt sind, kann dies den Winkel des Fahrrads beeinträchtigen und sich negativ auf die Bremsleistung auswirken, wenn das Hinterrad zu hoch vom Boden abhebt. Um dies zu verhindern, sollten Sie die Stützräder höher stellen, wenn das Kind besser mit dem Fahrrad fahren kann.

INSTALLATION DES ZUBEHÖRS

- Installieren Sie die Klingel am Lenker und bringen Sie die Reflektoren mit einem Schraubendreher am Fahrrad an. Hinweis! Der Schraubendreher ist nicht im Lieferumfang enthalten.

ABB. 9

VERWENDUNG

WARNUNG!

Verwenden Sie ein Hosenband oder eine ähnliche Ausrüstung, um das Risiko eines Einklemmens in der Kette oder den Kettenrädern zu minimieren.

Es ist wichtig, dass das Fahrrad sowohl bequem als auch sicher in der Anwendung ist. Befolgen Sie die Anweisungen zur Verwendung oder Einstellung der verschiedenen Fahrradteile.

BREMSEN

Vorderradbremse - linke Seite (Handbetätigung)
Hinterradbremse - Rücktritt

So betätigen Sie die Bremsen auf sichere Weise

1. Benutzen Sie zuerst die Rücktrittbremse und dann die Vorderradbremse.

HINWEIS:

Um die Rücktrittbremse zu aktivieren, treten Sie das Pedal rückwärts.

2. Betätigen Sie beim Abbiegen nicht die Vorderradbremse.

HINWEIS:

- **Dies ist besonders wichtig, wenn Sie in scharfen Kurven oder auf rauem oder rutschigem Untergrund fahren.**
- **Auf nasser oder rutschiger Fahrbahn verringert sich die Bremsleistung. Fahren Sie langsamer und bremsen Sie früher.**
- **Fahren Sie nicht mit dem Fahrrad, wenn die Bremsen nicht richtig funktionieren.**

REINIGUNG UND WARTUNG

REINIGUNG UND WARTUNG DER REIFEN UND EINSTELLUNG DER RÄDER

- Die Reifen müssen den richtigen Luftdruck haben. Beachten Sie die Angaben an der Reifenseite
- Pumpen Sie die Reifen mit einer Fuß- oder Handpumpe mit geeignetem Ventilanschluss auf. Überprüfen Sie den Druck mit einem Manometer.
- Durch Betätigen der Bremsen und Rutschen verschleiben die Reifen. Überprüfen Sie immer die Reifen, um sicherzustellen, dass sie nicht beschädigt sind.
- Vermeiden Sie den Kontakt mit Öl, Benzin, Paraffin und anderen Mitteln, die Gummi auflösen.
- Prüfen Sie die Räder, stellen Sie sicher, dass sie nicht verbogen und korrekt ausgerichtet sind. Die Seiten der Reifen dürfen den Rahmen, die Vordergabel oder die Vorderbremse nicht berühren.
- Überprüfen Sie, dass die Reifen nicht abgenutzt sind oder Risse aufweisen. Vergewissern Sie sich, dass das Reifenprofil nicht abgenutzt ist und dass der Reifen keine Schäden, Risse oder ungleichmäßige Abnutzung aufweist. Ersetzen Sie abgenutzte oder beschädigte Reifen sofort.
- Scharfe Steine oder unebene Oberflächen können die Reifen durchstechen. Prüfen Sie in regelmäßigen Abständen den Reifendruck. Der korrekte Luftdruck ist auf der Seite des Reifens angezeigt. Wenn der Luftdruck in einem Intervall angegeben wird, verwenden Sie immer den niedrigeren Wert.

FELGEN

Die meisten Felgen sind mit einer Verschleißanzeige in Form einer Linie an der Seite der Felge versehen. Die Felge sollte ersetzt werden, wenn diese Linie ganz oder teilweise abgenutzt ist.

KETTE

Schmierung

Die Kette sollte regelmäßig geschmiert werden; verwenden Sie ein geeignetes Kettenöl. Prüfen Sie, ob die Kette beim Fahren klappert oder beschädigt ist. Halten Sie die Kette immer geölt.

1. So schmieren Sie die Kette
2. Treten Sie ein paar Mal in die Pedale, damit das Öl in die Glieder gelangt.
3. Wischen Sie die Kette mit einem Tuch oder Schwamm ab.

BREMSEN

- Überprüfen Sie die Bremseinstellung und schmieren Sie die Bremskolben regelmäßig.
- Schmieren Sie die freiliegenden Teile der Drähte, um sie vor Korrosion zu schützen. Wenn die Bremse schwer zu betätigen ist, kann das daran liegen, dass die Bremsseile nicht richtig geschmiert sind. Die Bremsseile müssen entfernt werden, um sie zu schmieren.
- Ersetzen Sie die Bremsklötze, bevor sie völlig abgenutzt sind. Wenn das Muster abgenutzt ist oder die Verschleißanzeige dies anzeigt, ist es an der Zeit, sie auszutauschen.

HINWEIS:

- **Damit die Bremsen leichtgängig sind, dürfen die Räder nicht verbogen sein, sie müssen richtig eingestellt sein und die Felgenflanken müssen glatt und ohne Dellen sein. Die Bremsklötze müssen korrekt an die Felgenflanken angepasst sein. Schützen Sie die Enden der Drähte mit Endkappen, damit die Drähte nicht ausfransen.**
- **Die Bremsen dürfen nicht blockieren oder gegen die Felgen gedrückt bleiben, wenn sie nicht benutzt werden. Wenn die Bremsen klemmen, überprüfen Sie, ob die Bremsseile und Bremshebel sauber und geschmiert sind.**

Einstellung

Eine nicht richtig gespannte Kette kann gefährlich sein. Wenn die Kette mehr als 1 cm nach oben oder unten bewegt werden kann, muss sie gespannt werden.

1. Lösen Sie die Muttern am Hinterrad und ziehen Sie das Rad nach hinten.
2. Ziehen Sie die Muttern an. Stellen Sie sicher, dass das Rad gerade eingebaut ist.
3. Prüfen Sie, ob das Rad richtig angezogen ist.

KÄYTTÄMISEN TURVAOHJEET

- Maksimikuorma, sisältää pyöräilijän ja matkatavarat.

Koko	
12"	20 kg

Tarkista seuraavat asiat ennen käyttöä:

- Varmista, että vanteet ovat hyvässä kunnossa ja ehjät. Kulunut vanne on turvallisuusriski, ja se on vaihdettava.
- Ruuviliitokset ja osat on kiristetty oikein, eivätkä ne ole kuluneet tai vaurioituneet.
- Istuin on mukavasti säädetty.
- Jarrut toimivat oikein.
- Ohjaus ei jumiudu tai ole liian väljä.
- Pyörät eivät ole vääntyneet, ja ne on kiinnitetty oikein taka- ja etuhaarukkaan.
- Renkaat ovat hyvässä kunnossa, ja niissä on oikea rengaspaine.
- Polkimet on asennettu oikein kampivarsiin.
- Kaikki heijastimet on kiinnitetty.
- Varmista säätöjen jälkeen, että kaikki ruuviliitokset on kiristetty oikein ja että vaijerit on asennettu oikein runkoon ja että ne eivät ole vaurioituneet.
- Suositus: huollata pyörä puolen vuoden välein pyöräliikkeessä. Jos pyörää käytetään paljon, niitä on huollettava useammin. Täytä huoltotiedot jokaisen huollon jälkeen.

Liikenneturvallisuus

- Käytä aina pyöräilykypärää.
- Noudata aina paikallisia liikennesääntöjä.
- Älä aseta pyörään mitään, mikä voi juuttua kiinni ja häiritä pyörän toimintoja.
- Älä aja samalla puolella vastaantulevan liikenteen kanssa.
- Älä aja toisen pyörän rinnalla.
- Älä kyyditse matkustajia pyörillä, joita ei ole tarkoitettu siihen.

- Älä käänny äkillisesti liikenteen sekaan.
- Älä ripusta ohjaustankoon mitään, mikä vaikeuttaa ohjaamista tai voi jäädä kiinni etupyörään.
- Älä pidä kiinni toisesta ajoneuvosta.
- Älä aja liian lähellä edessä olevaa ajoneuvoa.

Pyöräily sateessa tai märillä teillä:

- Vesi ja jää heikentävät jarrutustehoa. Pyöräile hitaammin märillä kelillä ja jarruta aikaisemmin kuin kuivalla kelillä.
- Noudata paikallisia määräyksiä pyöräillessäsi pimeässä:
 - Pyörässä on oltava valkoinen etuvalo ja punainen takavallo pyörään jo kiinnitettyjen heijastimien lisäksi.
 - Käytä kirkkaanvärisiä vaatteita ja huomiotakkia, jos mahdollista.
 - Tarkista, että pyörän heijastimet on kiinnitetty ja sijoitettu oikein ja että ne ovat puhtaat ja hyvin näkyvissä. Vaihda vaurioituneet heijastimet välittömästi.

Huolto

- Käytä vain identtisiä varaosia, kun turvallisuuden kannalta välttämättömiä osia vaihdetaan. Voit hankkia alkuperäisiä osia Julan tavaratalosta. Tämä varmistaa, että pyörän käyttäminen on turvallista.

VAROITUS!

- Kun käytät pyörää, se altistuu kulumiselle kaikkien mekaanisten laitteiden tapaan. Eri materiaalit ja komponentit reagoivat eri tavoin kulumiseen ja rasitukseen. Jos jonkin pyörän osan (mukaan lukien runko, haarukat ja komponentit) elinikä on ylittynyt, on olemassa vaara, että osa rikkoutuu äkillisesti, jolloin menetät pyörän hallinnan ja kaadut. Halkeamat, naarmuuntumiset tai värimuutokset alueilla, jotka ovat alttiina korkealle rasitukselle, osoittavat, että komponentin käyttöikä on saavutettu ja se on vaihdettava.

- Älä asenna ohjainkannatinta tai satulataloppaa yläasennon merkinnän yläpuolelle.

VAROITUS!

- Älä tee mitään muutoksia tuotteeseen.
- Tuotetta ei ole tarkoitettu maasto- tai freestyle-pyöräilyyn, temppuihin, kilpailuihin tai vastaaviin. Käytä tuotetta vain sen käyttötarkoitukseen. Olet henkilökohtaisesti vastuussa mahdollisista vammoista tai muista vahingoista, jotka aiheutuvat pyörän käytöstä tällä tavalla. Jälleenmyyjä ei vastaa mistään välillisistä vahingoista tai muista menetyksistä, jotka kohdistuvat pyörän ostajaan tai kolmanteen osapuoleen.
- On tärkeää kertoa lapselle pyörän toiminnoista, erityisesti jarrujen turvallisesta käytöstä.
- Tuote ei sovellu tavaratelineen ja lastenistuimen asennukseen.

KUVAUS

- A. Satula
- B. Satulatalopan korkeus
- C. Takalokasuoja
- D. Apupyörien kiinnitys
- E. Ketjusuoja
- F. Poljin ja heijastin
- G. Etuhaarukka
- H. Pyörän runko
- I. Ohjaustanko
- J. Soittokello
- K. Turvatyyny
- L. Jarruvaijeri
- M. Etummainen V-jarru
- N. Etulokasuoja
- O. Pyörä

KUVA 1

KOKOAMINEN

VÄÄNTÖMOMENTTIVAATIMUKSET

Osien kokoonpano	Ehdotettu	
	ft-lb	Nm
Etupyörän akselipultti	21–23	27–31
Ohjaustangon kiinnitysruuvi	18–20	24–28
Ohjaustangon laajennusruuvi	15–18	20–24
Polkimet	18–20	24–28
Istu	15–20	20–28
Takapyörän akselipultti	21–23	27–31
Jarrukahvan pultit	6–7	14-18

Polkimet

HUOMAUTUS:

- **Polkimia on kaksi, vasen ja oikea (L, R). R-merkinnällä merkitty poljin kiinnitetään oikeaan kampivarteeseen, ja L-merkinnällä merkitty poljin kiinnitetään vasempaan kampivarteeseen.**
- **Käytä sopivaa voiteluainetta polkimien kierteissä, kun asennat ne.**

Oikean polkimen (R) kiinnittäminen

Asenna oikea poljin (A) tuotteen ketjun puoleiseen kampivarteeseen ja kiristä se varovasti avaimella.

Vasemman polkimen (L) kiinnittäminen

Asenna vasen poljin (B) ketjun vastakkaisella puolella olevaan kampivarteeseen, käännä sitä vastapäivään ja kiristä se varovasti avaimella.

KUVA 2

LOKASUOJAN KOKOAMINEN

HUOMAUTUS:

Kiinnitä lokasuoja irrottamalla haarukan mutteri kuvan (A) mukaisesti

- Kun mutterit on irrotettu, kiinnitä lokasuoja, aseta mutterit takaisin ja kiristä pultit (B).

KUVA 3

ETUPYÖRÄN KOKOAMINEN

- Löysää jarruvaijerin mutteria mukana toimitetulla monitoimityökalulla.
- Löysää ulommat pyörän mutterit kierteen reunaan asti ja aseta pyörä. (A)

HUOMAUTUS:

Varmista, että kiinnityslevy ja mutteri ovat pyörän haarukan ulkopinnalla.

- Aseta kiinnityslevyn koukku reikään haarukan molemmilla puolilla (B).
- Kiristä pyörän mutterit monitoimityökalulla (C).

KUVA 4

JARRUJEN KOKOAMINEN TAI SÄÄTÄMINEN

HUOMAUTUS:

Saatat tarvita toisen henkilön apua tässä prosessissa.

- Löysää jarrupalojen mutterit ja säädä tarvittaessa jarrupaloja. Varmista, että jarrupalat on käännetty vaakasuojaan, ei pystysuoraan, kuten kuvassa A.
- Löysää vaijerin pultin mutteri (B) ja vedä jarruvaijeri alas (C).
- Säädä jarrun jännitys sopivaksi ja kiristä pultti monitoimityökalulla (D).

KUVA 5

SATULAN KIINNITTÄMINEN

- Löysää kiinnitysruuvia, joka pitää satulatulpan satulaputkeen.
- Aseta satulatulppa sopivaan korkeuteen ja kiristä kiinnitysruuvi.

KUVA 6

HUOMAUTUS:

- **Varmista, että satulatulppa on alempana kuin yläasennon merkintä. Yläasennon merkinnän ei pitäisi näkyä.**
- **Kiristä satulatulpan kiinnitysruuvi ja mutteri 20-28 Nm:iin. Käytä 13 mm:n kuusioavainta. Tarkista, että satulatulppa on kunnolla kiinnitetty kääntämällä satulaa käsin (satulaa ei pitäisi voida kääntää).**
- **Älä aja tuotteella, jos satula tai satulatulppa ei ole kiristetty oikein.**

Satulan korkeus

- Oikean satulan korkeuden löytämiseksi aseta yksi polkimista alimpaan asentoonsa.
- Istu satulassa kengät jalassa ja tarkista, että kantapää ulottuu vain polkimeen jalka ojennettuna.
- Kun pyöräilet jalkapohja polkimella, jalkaa on taivutettava hieman, kun poljin on alimmassa asennossaan. Katso kuvassa 6 olevat kuvat.

OHJAINKANNATIN

- Vapauta ohjainkannattimen alaosassa oleva laajennuspultti, kunnes laajennusavain irtoaa. (A)
- Napauta varovasti laajennuspulttia, jos avain ei irtoa itsestään. (B)
- Siirrä ohjainkannatinta ylös tai alas sopivaan korkeuteen. Säädä ohjaustangon asentoa siten, että jarrukahvat ovat ajajan ulottuvilla ja mukavasti käytettävissä. (C)
- Kiristä laajennuspultti tiukasti. (D)

- Tarkista, että ohjainkannatin on linjassa etupyörän kanssa. Säädä tarvittaessa. E

KUVA 7

HUOMAUTUS:

- **Ohjainkannattimessa on merkintä, joka osoittaa, kuinka pitkälle se voidaan vetää ulos haarukkaputkesta. Tämän merkinnän ei pitäisi näkyä, kun ohjainkannatin on asennettu. Ohjainkannatin on työnnettävä riittävän pitkälle haarukkaputkeen, jotta merkintä ei näy.**
- **Kun olet säätänyt oikean korkeuden, tarkista ja säädä ohjaustanko oikeaan kulmaan etupyörään nähden.**
- **Kiristä laajennuspultti tiukasti. On erittäin tärkeää, että laajennuspultti kiristetään oikein.**
- **Tarkista ohjainkannattimen oikea kiinnitys seisomalla pyörän edessä jalat etupyörän molemmilla puolilla. Pidä pyörää paikoillaan jaloillasi ja yritä kääntää ohjaustankoa sivuttain. Ohjainkannatin ei saa kiertyä haarukkaputkessa.**
- **Älä kiristä ohjainkannatinta liikaa. Sen pitäisi joustaa hiukan, jos putoat pyörän päältä.**
- **Aseta ohjaustangon kahvat vaakasuoraan ja kiristä kiinnitysruuvi tiukasti.**

APUPYÖRIEN ASENTAMINEN

- Poista kupolimutteri ja aluslevy. Varmista, että suorakulmainen aluslevy on asetettu oikeaan asentoon kuvan 8 (A) mukaisesti.
- Kiinnitä vakain ja kiinnitä se aluslevyllä ja mutterilla (B).
- Kiristä pyöränmutteri monitoimityökälulla kuvan mukaisesti (C)
- Toista prosessi vastakkaisella puolella.
- Tarkista, että vakautuspyörät eivät kosketa maata, kun pyörä on vaakasuorassa. (D)

KUVA 8

Apupyörät

- Varmista, että apupyörät on säädetty oikeaan korkeuteen. Jos apupyörät on säädetty liian matalalle, tämä voi muuttaa pyörän kulmaa ja heikentää jarrutustehoa, jos takapyörä nousee liian korkealle maasta. Säädä tämän vuoksi apupyörät korkeammalle, kun lapsen ajotaidot paranevat.

ASENNA LISÄTARVIKKEET

- ASENNA soitokello ohjaustankoon ja heijastimet pyörään ruuvimeisselin avulla. Huom. Ruuvimeisseli ei sisälly toimitukseen.

KUVA 9

KÄYTTÖ

VAROITUS!

Käytä kiinnitysnauhaa tai vastaavaa minimoidaksesi ketjuun tai ketjupyöriin juuttumisen riski.

On tärkeää, että pyörä on sekä mukava että turvallinen käyttää. Noudata ohjeita pyörän eri osien käyttämiseen tai säätämiseen.

JARRUT

Etujarru - vasen puoli (käsikäyttöinen)

Takajarru - takapoljin

Jarrujen turvallinen käyttö

1. Käytä ensin jalkajarrua ja sitten etujarrua.

HUOMAUTUS:

Käynnistä jalkajarru polkemalla taaksepäin.

2. Älä käytä etujarrua, kun käännyt.

HUOMAUTUS:

- **On erittäin tärkeää pitää tämä mielessä, kun käännyt tiukoissa mutkissa tai ajat epätasaisilla tai liukkailla pinnoilla.**

- **Jarrutuskapasiteetti pienenee mörillä tai liukkailla teillä. Pyöräile hitaammin ja jarruta aikaisemmin.**
- **Älä aja pyörällä, jos jarrut eivät toimi oikein.**

YLLÄPITO

RENKAIDEN YLLÄPITO JA PYÖRÄN SÄÄTÖ

- Renkaissa on oltava oikea ilmanpaine. Katso renkaiden sivulla ilmoitetut tiedot.
- Pumpppaa renkaat jalkapumpulla tai käsipumpulla käyttämällä sopivaa venttiiliin liitäntää. Tarkista paine painemittarilla.
- Jarrujen lukitseminen ja luistattaminen kuluttaa renkaita. Tarkista aina renkaat vaurioiden varalta.
- Estä renkaita joutumasta kosketuksiin öljyn, bensiinin, parafiinin ja muiden kumia liuottavien aineiden kanssa.
- Tutki pyörät ja varmista, että ne eivät ole vääntyneet ja että ne on kohdistettu oikein. Renkaiden sivut eivät saa koskettaa runkoa, etuhaarukkaa tai etujarrua.
- Tarkista, että renkaat eivät ole kuluneet tai halkeilleet. Varmista, että renkaiden kulutuspinna ei ole kulunut ja että renkaassa ei ole vaurioita, halkeamia tai epätasaista kulumista. Vaihda kuluneet tai vaurioituneet renkaat välittömästi.
- Terävät kivet tai epätasaiset pinnat voivat puhkaista renkaat. Tarkista renkaiden täyttöpaine säännöllisin väliajoin. Katso oikea täyttöpaine renkaan kyljestä. Jos täyttöpaine on annettu asteittain, käytä aina alempaa arvoa.

VANTEET

Useimmissa vanteissa on kulumisilmaisain. Se on yleensä vanteen sivulla näkyvä viiva. Vanne on vaihdettava, kun tämä viiva on kokonaan tai osittain kulunut.

KETJU

Voitelu

Ketju tulee voidella säännöllisesti. Käytä soveltuvaa ketjuöljyä. Tarkista, että ketju ei kolise pyöräillessä ja että se ei ole vaurioitunut. Pidä ketju aina öljyttynä.

1. Voitele ketju.
2. Polje muutama kierros niin, että öljy leviää ketjun linkeihin.
3. Pyyhi ketju liinalla tai sienellä.

JARRUT

- Tarkista jarrujen säätö ja voitele jarrujousen tapit säännöllisesti.
- Voitele vaijerien esillä olevat osat suojataksesi ne korroosiolta. Jos jarruttaminen on vaikeaa, vaijereita ei ole ehkä voideltu oikein. Jarruvaijerit on poistettava voitelemista varten.
- Vaihda jarrupalat ennen kuin ne kuluvat puhki. Jarrupalat on syytä vaihtaa, kun kuvio on kulunut tai kulumisilmaisain näkyy.

HUOMAUTUS:

- **Jotta jarruttaminen sujuu hyvin, pyörät eivät saa olla vääntyneitä. Ne on säädettävä oikein, ja vanteiden sivujen on oltava sileät ja lommottomat. Jarrupalat on säädettävä oikein vanteiden sivuille. Suojaa vaijeriden päät päätyvaloilla, jotta vaijerit eivät rispaannu.**

- **Jarrut eivät saa jumiutua tai jäädä kiinni vanteisiin, kun niitä ei käytetä. Jos jarrut jumiutuvat, tarkista, että vaijerit ja jarrukahvat ovat puhtaita ja voideltuja.**

Säätäminen

Ketju, jota ei ole kunnolla kiristetty, voi olla vaarallinen. Jos ketjua voi liikuttaa yli 1 cm ylös tai alas, sitä on kiristettävä.

1. Löysää takapyörän mutterit ja vedä pyörää taaksepäin.
2. Kiristä mutterit. Varmista, että pyörä on asennettu suoraan.
3. Tarkista, että pyörä on kiristetty oikein.

CONSIGNES DE SÉCURITÉ

- La charge maximale comprend le cycliste et les bagages.

Taille	Charge max.
12"	20 kg

Vérifier les points suivants avant utilisation :

- Assurez-vous que les jantes sont en bon état et qu'elles ne sont pas endommagées. Une jante usée présente un risque pour la sécurité et doit être remplacée.
- Les raccords à vis et les composants sont correctement serrés et ne sont pas usés ou endommagés.
- Le siège se règle confortablement.
- Les freins fonctionnent correctement.
- La direction ne se bloque pas et n'a pas trop de jeu.
- Les roues ne sont pas déformées et sont correctement fixées à la fourche avant et arrière.
- Les pneus sont en bon état et leur pression est correcte.
- Les pédales sont correctement installées dans les manivelles.
- Tous les réflecteurs sont fixés.
- Après tout réglage, vérifiez que tous les raccords à vis sont correctement serrés et que les fils ne sont pas endommagés et sont correctement fixés le long du cadre.
- Recommandation : effectuer un entretien du vélo tous les six mois dans un magasin de cycles ; plus le vélo est utilisé fréquemment, plus l'entretien doit être effectué souvent. Remplir les carnets d'entretien après chaque entretien.

Sécurité routière

- Portez toujours un casque de vélo.
- Respectez les règles de circulation locales.
- Ne placez rien sur le vélo qui puisse se coincer et entraver les fonctions du vélo.
- Ne roulez pas du même côté que les véhicules venant en sens inverse.
- Ne roulez pas à côté d'un autre vélo.

- Ne montez pas sur des vélos qui ne sont pas prévus à cet effet.
- Ne vous faufillez pas dans la circulation.
- Ne suspendez rien au guidon qui puisse gêner la direction ou se coincer dans la roue avant.
- Ne vous accrochez pas à un autre véhicule.
- Ne roulez pas trop près d'un véhicule qui vous précède.

Faire du vélo sous la pluie ou sur des routes mouillées :

- La puissance de freinage est réduite par l'eau et la glace. Roulez plus lentement par temps humide et freinez plus tôt que par temps sec.
- Respectez les réglementations locales lorsque vous roulez dans l'obscurité :
 - Le vélo doit être équipé d'un feu avant avec une lumière blanche et d'un feu arrière avec une lumière rouge, en plus des réflecteurs déjà fixés sur le vélo.
 - Portez des vêtements clairs et, si possible, une veste à haute visibilité.
 - Vérifiez que les réflecteurs du vélo sont fixés et positionnés correctement, qu'ils sont propres et qu'ils ne sont pas masqués. Remplacer immédiatement les réflecteurs endommagés.

Entretien

- N'utilisez que des pièces de rechange identiques lorsque vous remplacez des pièces essentielles pour la sécurité. Consultez le grand magasin JULA pour obtenir des pièces d'origine. Cela garantit que le vélo reste utilisable en toute sécurité.

WARNING!

- Un vélo est exposé à l'usure, comme tout équipement mécanique, lorsque vous l'utilisez. Les matériaux et les composants réagissent différemment à l'usure et aux contraintes. Si la durée de vie d'une pièce du vélo (y compris le cadre, la fourche et les composants) a été dépassée, il existe un risque de rupture soudaine de la pièce, de perte de contrôle et de chute.

Des fissures, des rayures ou des changements de couleur dans des zones exposées à des niveaux élevés de stress indiquent que le composant a atteint la fin de sa durée de vie et doit être remplacé.

- Ne pas installer la tige du guidon ou la tige de la selle au-dessus du marquage de la position haute.

WARNING!

- Ne pas effectuer de modifications sur le produit.
- Le produit n'est pas conçu pour être utilisé en tout-terrain ou pour le vélo freestyle, les cascades, les compétitions et autres activités équivalentes. N'utilisez le produit qu'aux fins pour lesquelles il a été conçu. Vous êtes personnellement responsable de toute blessure ou de tout autre dommage résultant de l'utilisation du vélo de cette manière. Le revendeur décline toute responsabilité pour tout dommage consécutif ou toute autre perte en relation avec la personne qui a acheté ce vélo ou tout autre tiers.
- Il est important d'informer l'enfant sur les fonctions du vélo, en particulier sur l'utilisation sûre des freins.
- Le produit n'est pas applicable pour le montage d'un porte-bagages et de sièges enfant.

DESCRIPTION

- A. Selle
- B. Hauteur de la tige de selle
- C. Garde-boue arrière
- D. Fixation des roues de support
- E. Protection de la chaîne
- F. Pédale avec réflecteur
- G. Fourche avant
- H. Cadre de vélo
- I. Guidon
- J. Sonnette
- K. Coussin de sécurité
- L. Câble de frein
- M. Frein avant en V
- N. Garde-boue avant
- O. Roue

FIG. 1

ASSEMBLAGE

EXIGENCES DE COUPLE

Assemblage des pièces	Couple suggéré	
	ft-lb	Nm
Écrou d'axe de roue avant	21–23	27–31
Boulon de serrage du guidon	18–20	24–28
Boulon d'expansion de potence de guidon	15–18	20–24
Pédales	18–20	24–28
Siège	15–20	20–28
Écrou d'axe de roue arrière	21–23	27–31
Poignée pour casser les écrous	6–7	14-18

Pédales

NOTE:

- Il y a 2 pédales différentes, gauche et droite (L,R). La pédale marquée R doit être fixée à la manivelle droite et la pédale marquée L à la manivelle gauche.
- Utilisez un lubrifiant approprié sur le filetage des pédales lorsque vous les installez.

Pour fixer la pédale droite (R)

Installez la pédale droite (A) sur le bras de manivelle du côté de la chaîne du produit et serrez-la soigneusement à l'aide d'une clé.

Pour fixer la pédale gauche (L)

Installez la pédale gauche (B) sur le bras de manivelle du côté opposé à la chaîne, tournez-la dans le sens inverse des aiguilles d'une montre et serrez-la soigneusement à l'aide d'une clé.

FIG. 2

ASSEMBLAGE DU GARDE-BOUE

NOTE:

Pour fixer le garde-boue, vous devez retirer l'écrou de la fourche, comme indiqué sur la Figure (A)

- Une fois les écrous retirés, fixez le garde-boue puis remettez les écrous en place et serrez les boulons (B).

FIG. 3

ASSEMBLAGE DE LA ROUE AVANT

- Desserrez l'écrou du câble de frein à l'aide de l'outil multifonctionnel fourni.
- Desserrez les écrous de la roue extérieure jusqu'au bord du filetage et posez la roue. (A)

NOTE:

Veillez à ce que la rondelle de retenue et l'écrou se trouvent sur le côté extérieur de la fourche de la roue.

- Introduire le crochet de la rondelle de rétention dans le trou situé de part et d'autre de la fourche (B).
- Serrez les écrous de roue à l'aide de l'outil multiple (C).

FIG. 4

ASSEMBLAGE OU RÉGLAGE DES FREINS

NOTE:

Vous aurez peut-être besoin d'une paire de mains supplémentaire pour vous aider dans ce processus.

- Desserrez les écrous des plaquettes de frein, réglez les plaquettes de frein si nécessaire. Veillez à ce que les plaquettes de frein soient tournées horizontalement et non verticalement, comme le montre la Figure A.
- Desserrez l'écrou du boulon du câble (B) et tirez le câble de frein vers le bas (C).
- Réglez le frein à la tension appropriée et serrez le boulon à l'aide de l'outil multiple (D).

FIG. 5

POUR FIXER LA SELLE

- Desserrez la vis de serrage qui maintient la tige de selle sur le tube de selle.
- Réglez la tige de selle à la hauteur voulue et serrez la vis de serrage.

FIG. 6

NOTE:

- **Veillez à ce que la tige de la selle soit plus basse que le repère de la position supérieure. Il ne devrait pas être possible de voir le marquage de la première position.**

- **Serrer la vis et l'écrou de serrage de la tige de selle à 20-28 Nm. Utiliser une clé hexagonale de 13 mm. Vérifiez que la tige de la selle est bien fixée en tournant la selle à la main (il ne doit pas être possible de tourner la selle).**
- **Ne pas utiliser le produit si la selle ou la tige de selle n'est pas correctement serrée.**

Hauteur de la selle

- Pour trouver la bonne hauteur de selle, mettez l'une des pédales dans sa position la plus basse.
- Asseyez-vous sur la selle avec des chaussures et vérifiez que le talon arrive juste au niveau de la pédale avec la jambe tendue.
- Lorsque vous roulez avec la plante du pied sur la pédale, la jambe doit être légèrement pliée lorsque la pédale est dans sa position la plus basse. Reportez-vous aux figures indiquées sur la figure 6.

TIGE DE GUIDON

- Desserrer le boulon d'expansion sur la partie inférieure de la tige de guidon jusqu'à ce que la clé d'expansion se détache. (A)
- Si la clé ne se détache pas d'elle-même, tapez avec précaution sur le boulon d'expansion. (B)
- Déplacez la tige de guidon vers le haut ou vers le bas à la hauteur voulue. Ajustez la position du guidon de manière à ce que les leviers de frein soient faciles à atteindre et à ce que le conducteur se sente à l'aise. (C)
- Serrez fermement le boulon d'expansion. (D)
- Vérifiez que la tige de guidon est alignée avec la roue avant. Ajustez si nécessaire. (E)

FIG. 7

NOTE:

- **Un marquage sur la tige de guidon indique la distance qu'il peut parcourir par rapport au tube de fourche. Ce marquage ne doit pas être visible lorsque le guidon est monté. La tige de guidon doit être insérée suffisamment loin dans le tube de fourche pour que le marquage ne soit pas visible.**
- **Après avoir réglé la hauteur, vérifiez et réglez le guidon à l'angle correct par rapport à la roue avant.**
- **Serrez fermement le boulon d'expansion. Il est très important que le boulon d'expansion soit correctement serré.**
- **Vérifiez que la tige de guidon est correctement fixée en vous plaçant devant le vélo, les jambes de chaque côté de la roue avant. Tenez la roue avec vos jambes et essayez de tourner le guidon latéralement. La tige de guidon ne doit pas tourner dans le tube de fourche.**
- **Ne pas trop serrer la tige de guidon. Il doit pouvoir céder quelque peu si vous tombez du vélo.**
- **Positionnez les poignées du guidon à l'horizontale et serrez fermement la vis de serrage.**

POUR INSTALLER LES ROUES DE SUPPORT

- Retirez l'écrou à dôme et la rondelle. Assurez-vous que la rondelle rectangulaire est placée dans la bonne position, comme le montre la Figure 8 (A).
- Attachez le stabilisateur et fixez-le à l'aide de la rondelle et de l'écrou (B).
- Serrez l'écrou de roue à l'aide de l'outil multifonction comme indiqué (C).
- Répétez l'opération de l'autre côté.

- Vérifiez que les roues stabilisatrices ne touchent pas le sol lorsque le vélo est à l'horizontale. (D)

FIG. 8

Roues de support

- Assurez-vous que les roues de support sont réglées à la bonne hauteur. Si les roues de support sont réglées trop bas, cela peut interférer avec l'angle du vélo et avoir un effet négatif sur la puissance de freinage si la roue arrière se soulève trop du sol. Pour éviter cela, réglez les roues de support plus haut lorsque l'enfant prend de l'assurance en vélo.

INSTALLEZ LES ACCESSOIRES

- Installez la cloche sur le guidon et les réflecteurs sur le vélo à l'aide d'un tournevis. Remarque ! Le tournevis n'est pas inclus.

FIG. 9

UTILISATION

WARNING!

Utilisez une bande de pantalon ou tout équipement similaire pour réduire à un minimum le risque de coincement dans la chaîne ou les pignons.

Il est important que le vélo soit à la fois confortable et sûr. Suivez les instructions pour utiliser ou régler les différentes parties du vélo.

FREINS

Frein avant - côté gauche (à commande manuelle)

Frein arrière - rétropédalage

Pour utiliser le frein en toute sécurité

1. Utilisez d'abord le frein à pied, puis le frein avant.

NOTE:

Pour enclencher le frein à pied, pédalez en arrière.

2. Ne pas utiliser le frein avant pour tourner.

NOTE:

- **Il est très important de s'en souvenir lorsque l'on prend des virages serrés ou que l'on roule sur des surfaces rugueuses ou glissantes.**
- **La capacité de freinage est réduite sur les routes mouillées ou glissantes. Roulez plus lentement et freinez plus tôt.**
- **N'utilisez pas le vélo si les freins ne fonctionnent pas correctement.**

MAINTENANCE

MAINTENANCE DES PNEUS ET RÉGLAGE DES ROUES

- Les pneus doivent avoir une pression d'air correcte. Reportez-vous aux informations indiquées sur le flanc des pneus.
- Gonflez les pneus à l'aide d'une pompe à pied ou d'une pompe à main munie d'un raccord de valve approprié. Vérifiez la pression à l'aide d'un manomètre.
- Bloquer les freins et dérapage use les pneus. Examinez toujours les pneus pour vous assurer qu'ils ne sont pas endommagés.
- Évitez le contact avec l'huile, l'essence, la paraffine et les autres agents qui dissolvent le caoutchouc.
- Examinez les roues, assurez-vous qu'elles ne sont pas déformées et qu'elles sont correctement alignées. Les flancs des pneus ne doivent pas toucher le cadre, la fourche avant ou le frein avant.
- Vérifiez que les pneus ne sont pas usés ou fissurés. Assurez-vous que la bande de roulement des pneus n'est pas usée et qu'il n'y a pas de dommages, de fissures ou d'usure irrégulière sur le pneu. Remplacez immédiatement les pneus usés ou endommagés.

- Des pierres pointues ou des surfaces irrégulières peuvent crever les pneus. Vérifiez régulièrement la pression de gonflage des pneus. La pression de gonflage appropriée est indiquée sur le flanc du pneu. Si la pression de gonflage est indiquée sous forme de plage, utilisez toujours la valeur la plus basse.

JANTES

La plupart des jantes ont un indicateur d'usure sous la forme d'une ligne sur le côté de la jante. La jante doit être remplacée lorsque cette ligne est complètement ou partiellement usée.

CHAÎNE

Lubrification

La chaîne doit être lubrifiée régulièrement; utilisez une huile pour chaîne appropriée. Vérifiez que la chaîne ne cogne pas en roulant ou qu'elle n'est pas endommagée. La chaîne doit toujours être huilée.

1. Pour lubrifier la chaîne
2. Pédalez quelques tours pour que l'huile entre dans les maillons.
3. Essuyez la chaîne avec un chiffon ou une éponge.

FREINS

- Vérifiez le réglage des freins et lubrifiez régulièrement les pivots des ressorts de frein.
- Lubrifiez les parties exposées des fils pour les protéger de la corrosion. S'il est difficile de freiner, cela peut être dû au fait que les fils ne sont pas correctement lubrifiés. Les fils de frein doivent être retirés pour les lubrifier.
- Remplacez les plaquettes de frein avant qu'elles ne soient complètement usées. Lorsque le motif est usé ou que l'indicateur d'usure s'affiche, il est temps de les remplacer.

NOTE:

- **Pour freiner en douceur, les roues ne doivent pas être voilées, elles doivent être correctement réglées et les flancs des jantes doivent être lisses et sans aspérités. Les patins de frein doivent être correctement ajustés aux côtés des jantes. Protégez les extrémités des fils avec des embouts, afin que les fils ne s'effilochent pas.**
- **Les freins ne doivent pas se bloquer ou rester poussés contre les jantes lorsqu'ils ne sont pas utilisés. Si les freins se bloquent, vérifiez que les fils et les leviers de frein sont propres et lubrifiés.**

Ajustement

Une chaîne mal tendue peut être dangereuse. Si la chaîne peut être déplacée de plus de 1 cm vers le haut ou vers le bas, elle doit être tendue.

1. Desserrez les écrous de la roue arrière et tirez la roue vers l'arrière.
2. Serrez les écrous. Veillez à ce que la roue soit installée bien droite.
3. Vérifiez que la roue est correctement serrée.

VEILIGHEIDSVOORSCHRIFTEN

- De maximale lading, inclusief de fietser en de bagage.

Maat	Maximale belasting
12"	20 kg

Controleer vóór gebruik het volgende:

- Zorg ervoor dat de velgen in goede staat en onbeschadigd zijn. Een versleten velg is een veiligheidsrisico en moet worden vervangen.
- Schroefkoppelingen en componenten zijn correct aangedraaid en niet versleten of beschadigd.
- De zitting is comfortabel afgesteld.
- De remmen werken correct.
- De besturing loopt niet vast, of heeft teveel speling.
- Er zit geen slag in de wielen en ze zijn correct bevestigd in de achter- en voorvork.
- De banden zijn in goede staat en hebben de juiste bandenspanning.
- De pedalen zijn correct geïnstalleerd in de crankarmen.
- Alle reflectoren zijn bevestigd.
- Controleer na eventuele aanpassingen of alle schroefverbindingen correct zijn aangedraaid en of de draden niet zijn beschadigd en correct langs het frame zijn bevestigd.
- Aanbeveling: laar elke 6 maanden een servicebeurt van de fiets bij een fietsenwinkel uitvoeren. Dit moet vaker worden gedaan als de fiets vaker wordt gebruikt. Vul na elke servicebeurt het onderhoudsdossier in.

Veiligheid op de weg

- Draag altijd een fietshelm.
- Volg altijd de plaatselijke verkeersregels.
- Zet niets op de fiets dat vast kan komen te zitten en de functies van de fiets kan belemmeren.
- Rijd niet aan dezelfde kant als tegemoetkomend verkeer.

- Rijd niet naast een andere fiets.
- Laat niemand achterop zitten op fietsen die hier niet voor bedoeld zijn.
- Slinger niet het verkeer in.
- Hang niets aan het stuur dat het sturen bemoeilijkt, of in het voorwiel kan blijven hangen.
- Hang niet aan een ander voertuig.
- Rijd niet te dicht bij een voorligger.

Fietsen in de regen of op natte wegen:

- De remkracht wordt verminderd door water en ijs. Fiets langzamer bij nat weer en rem eerder dan bij droog weer.
- Volg de lokale voorschriften wanneer u in het donker fietst:
 - De fiets moet een voorlicht met een wit licht en een achterlicht met een rood licht hebben, naast de reflectoren die al op de fiets zijn bevestigd.
 - Draag indien mogelijk heldere kleding en een goed zichtbare jas.
 - Controleer of de reflectoren van de fiets correct bevestigd en geplaatst zijn, schoon en niet aan het zicht onttrokken zijn. Vervang beschadigde reflectoren onmiddellijk.

Service

- Gebruik alleen identieke reserveonderdelen bij het vervangen van onderdelen die essentieel zijn voor veiligheid. Kijk in het warenhuis van Julia voor originele onderdelen. Dit garandeert dat de fiets veilig in gebruik blijft.

LET OP!

- Een fiets wordt, net als alle mechanische apparatuur, blootgesteld aan slijtage wanneer u hem gebruikt. Verschillende materialen en componenten reageren op verschillende manieren op slijtage en belasting. Als de levensduur van een onderdeel van de fiets (inclusief het frame, de vorken en de onderdelen) is overschreden, bestaat het risico dat het onderdeel plotseling breekt en dat u de controle verliest en eraf valt.

Scheuren, krassen of kleurveranderingen in gebieden die aan hoge belasting worden blootgesteld, geven aan dat het onderdeel het einde van zijn levensduur heeft bereikt en moet worden vervangen.

- Plaats de stuurpen of zadelpen niet boven de markering voor de bovenste positie.

LET OP!

- Doe geen aanpassingen aan het product.
- Het product is niet gemaakt om te worden gebruikt op offroad of voor freestyle fietsen, stunttrucs, wedstrijden en dergelijke. Gebruik het product alleen voor het aangegeven doel. U bent persoonlijk verantwoordelijk voor eventuele latere verwondingen of andere schade die voortvloeit uit het gebruik van de fiets op deze manier. De dealer doet afstand van alle aansprakelijkheid voor eventuele gevolgschade of ander verlies met betrekking tot de persoon die de fiets heeft gekocht of een derde partij.
- Het is belangrijk om het kind te informeren over de functies van de fiets, vooral het veilig gebruik van de remmen.
- Het product is niet geschikt voor de montage van een bagagedrager en kinderzitjes.

BESCHRIJVING

- A. Zadel
- B. Hoogte zadelpen
- C. Achterspatbord
- D. Bevestiging steunwielen
- E. Kettingbeschermer
- F. Pedaal met reflector
- G. Voorvork
- H. Fietsframe
- I. Stuur
- J. Bel
- K. Veiligheidskussen
- L. Remkabel
- M. Voorste V-rem
- N. Voorspatbord
- O. Wiel

AFB. 1

MONTAGE

KOPPELVEREISTEN

Onderdelen	Voorgesteld koppel	
	ft-lb	Nm
Voorwielasmoer	21–23	27–31
Stuurklembout	18–20	24–28
Stuurpenexpansiebout	15–18	20–24
Pedalen	18–20	24–28
Zetel	15–20	20–28
Achterwielasmoer	21–23	27–31
Handremmoeren	6–7	14-18

Pedalen

OPMERKING:

- Er zijn 2 verschillende pedalen, links en rechts (L, R). Het met R gemarkeerde pedaal moet aan de rechtercrankarm worden bevestigd en het met L gemarkeerde pedaal aan de linkercrankarm.
- Gebruik smeermiddel op de schroefdraden van de pedalen wanneer u ze installeert.

Het rechterpedaal bevestigen

Installeer het rechterpedaal (A) op de crankarm aan de kettingzijde van het product en draai deze voorzichtig aan met een steeksleutel.

Het linkerpedaal bevestigen

Monteer het linkerpedaal (B) aan de crankarm aan de overzijde van de ketting, draai hem tegen de klok in en draai hem voorzichtig aan met een steeksleutel.

AFB. 2

MONTAGE SPATBORD

OPMERKING:

Om het spatbord te bevestigen moet u de moer op de voorvork verwijderen zoals aangegeven in afbeelding (A)

- Als de moeren zijn verwijderd, bevestigt u het spatbord, plaatst u de moeren terug en draait u de bouten aan (B).

AFB. 3

MONTAGE VOORWIEL

- Draai de remkabelmoer los met het meegeleverde multigereedschap.
- Maak de buitenste wielmoeren helemaal los tot aan de rand van de schroefdraad en plaats het wiel. (A)

OPMERKING:

Zorg ervoor dat de borgring en de moer aan de buitenkant van de wielvork zitten.

- Steek de haak van de borgring in het gat aan beide kanten van de vork (B).
- Draai de wielmoeren vast met het multigereedschap (C).

AFB. 4

MONTAGE OF AFSTELLING REM

OPMERKING:

Mogelijk hebt u een extra paar handen nodig om te helpen met dit proces.

- Draai de remblokmoeren los en stel de remblokken zo nodig bij. Zorg ervoor dat de remblokken horizontaal worden gedraaid, niet verticaal, zoals aangegeven in afbeelding A.
- Draai de draadboutmoer (B) los en trek de remdraad naar beneden (C).
- Stel de rem in op de toepasselijke spanning en draai de bout vast met het multigereedschap (D).

AFB. 5

HET ZADEL BEVESTIGEN

- Draai de klemschroef los die de zadelpen aan de zadelpen houdt.
- Stel de zadelpen in op de toepasselijke hoogte en draai de klemschroef vast.

AFB. 6

OPMERKING:

- **Zorg ervoor dat de zadelpen lager is dan de markering voor de bovenste positie. Het is niet de bedoeling dat de markering voor de bovenste positie zichtbaar is.**
- **Draai de klemschroef en moer van de zadelpen vast tot 20-28 Nm. Gebruik een 13 mm inbussleutel. Controleer of de zadelpen stevig vastzit door het zadel met de hand te draaien (het hoort niet mogelijk te zijn om het zadel te draaien).**
- **Rijd niet op het product als het zadel of de zadelpen niet goed zijn aangedraaid.**

Zadelhoogte

- Om de juiste zadelhoogte te vinden zet u een van de pedalen in de laagste stand.
- Ga met schoenen aan op het zadel zitten en controleer of de hiel met het been gestrekt net tot aan het pedaal reikt.
- Bij het fietsen met de voetzool op het pedaal moet het been licht gebogen zijn wanneer het pedaal in de laagste stand staat. Raadpleeg de illustraties in afbeelding 6.

STUURSTANG

- Draai de expanderbout aan de onderkant van de stuurpen los totdat de expandersleutel loskomt. (A)
- Tik voorzichtig op de expanderbout als de sleutel niet vanzelf loskomt. (B)
- Beweeg de stuurpen omhoog of omlaag tot een gewenste hoogte. Stel de positie van het stuur zo in dat de remhendels gemakkelijk te bereiken zijn en comfortabel aanvoelen voor de rijder. (C)
- Draai de expanderbout stevig aan. (D)
- Controleer of de stuurpen in lijn is met het voorwiel. Pas aan indien nodig. E

AFB. 7

OPMERKING:

- **Op de stuurpen staat een markering om aan te geven hoeveel deze uit de vorkbuis kan steken. Deze markering mag niet worden gezien wanneer de stuurpen is gemonteerd. De stuurpen moet ver genoeg in de vorkbuis worden gestoken zodat de markering niet zichtbaar is.**
- **Nadat u de juiste hoogte heeft ingesteld, controleert u de stuurpen en stelt u deze met het voorwiel in op de juiste hoek.**
- **Draai de expanderbout stevig aan. Het is erg belangrijk dat de expanderbout correct is aangedraaid.**
- **Controleer of de stuurpen goed vastzit door voor de fiets te gaan staan met uw benen aan elke kant van het voorwiel. Houd het stuur met uw benen vast en probeer het stuur zijwaarts te draaien. Het stuur mag niet draaien in de vorkbuis.**

- **Draai de stuurpen niet te strak aan. Het moet enigszins kunnen meegeven als u van de fiets valt.**
- **Plaats de handgrepen horizontaal en draai de klemschroef stevig vast.**

DE STEUNWIELEN INSTALLEREN

- Verwijder de dopmoer en de ring. Zorg ervoor dat de rechthoekige ring op de juiste plaats wordt geplaatst zoals aangegeven in afbeelding 8 (A).
- Bevestig de stabilisator en zet deze vast met de ring en moer (B).
- Draai de wielmoer vast met het multigereedschap zoals afgebeeld (C)
- Herhaal het proces aan de andere kant.
- Controleer of het stabilisatorwiel de grond niet raakt wanneer de fiets waterpas staat. (D)

AFB. 8

Steunwielen

- Zorg ervoor dat de steunwielen op de juiste hoogte zijn afgesteld. Als de steunwielen te laag worden afgesteld, kan dit de hoek van de fiets verstoren en kan het remvermogen negatief beïnvloeden als het achterwiel te hoog van de grond komt. Om dit te voorkomen stelt u de steunwielen hoger in wanneer het kind beter wordt in fietsen.

INSTALLLEER DE ACCESSOIRES

- Plaats de bel op het stuur en de reflectoren aan de fiets met een schroevendraaier. Let op! De schroevendraaier is niet inbegrepen.

AFB. 9

GEBRUIK

LET OP!

Gebruik een beenband of soortgelijke uitrusting om het risico op beknelling in de ketting of tandwielen te minimaliseren.

Het is belangrijk dat de fiets zowel comfortabel als veilig in gebruik is. Volg de instructies om de verschillende onderdelen van de fiets te gebruiken of af te stellen.

REMMEN

Voorrem - linkerkant (handbediend)

Achterrem - achteruit trappen

De rem veilig gebruiken

1. Gebruik eerst de voetrem en daarna de voorrem.

OPMERKING:

Om de voetrem in te schakelen trapt u achteruit.

2. Gebruik de voorrem niet als u afslaat.

OPMERKING:

- **Het is erg belangrijk om dit te onthouden bij het nemen van scherpe bochten of rijden op ruwe of gladde oppervlakken.**
- **De remcapaciteit is verminderd op natte of gladde wegen. Fiets langzamer en rem eerder.**
- **Rijd niet op de fiets als de remmen niet goed werken.**

ONDERHOUD

BANDENONDERHOUD EN WIELAFSTELLINGEN

- De banden moeten de juiste luchtdruk hebben. Raadpleeg de informatie op de zijkant van de banden.
- Pomp de banden op met een voetpomp of handpomp met een toepasselijke ventilaansluiting. Controleer de druk met een manometer.

- Het blokkeren van de remmen en slijpen verslijt de banden. Controleer de banden altijd zodat ze niet beschadigd raken.
- Voorkom contact met olie, benzine, paraffine en andere middelen die rubber oplossen.
- Onderzoek de wielen en zorg ervoor dat er geen slag in zit en dat ze correct zijn uitgelijnd. De zijkanten van de banden mogen het frame, de voorvork of de voorrem niet raken.
- Controleer of de banden niet versleten of gebarsten zijn. Zorg ervoor dat het loopvlak van de banden niet versleten is en dat er geen beschadigingen, barsten of ongelijke slijtage aan de band zijn. Vervang versleten of beschadigde banden onmiddellijk.
- Scherpe stenen of oneffen oppervlakken kunnen de banden lek maken. Controleer regelmatig de bandenspanning. Raadpleeg de zijkant van de band voor de juiste bandenspanning. Als voor de bandenspanning een interval wordt aangegeven, gebruik dan altijd de lagere waarde.

VELGEN

De meeste velgen hebben een slijtage-indicator in de vorm van een lijn langs de zijkant van de velg. De velg moet worden vervangen wanneer deze lijn geheel of gedeeltelijk is afgesleten.

KETTING

Smering

De ketting moet regelmatig worden gesmeerd; gebruik een toepasselijke kettingolie. Controleer of de ketting niet klopt tijdens het fietsen of beschadigd is. Houd de ketting altijd geolied.

1. Smeer de ketting.
2. Trap een paar keer zodat de olie in de schakels komt.
3. Veeg de ketting af met een doek of spons.

REMMEN

- Controleer de remafstelling en smeer de scharnieren van de remveer regelmatig.
- Smeer de blootgestelde delen van de draden om bescherming te bieden tegen corrosie. Als het moeilijk is om te remmen, kan dit komen doordat de draden niet goed gesmeerd zijn. De remdraden moeten worden verwijderd om ze te smeren.
- Vervang de remblokken voordat ze volledig versleten zijn. Wanneer het patroon is afgesleten, of de slijtage-indicator zichtbaar is, is het tijd om ze te vervangen.

OPMERKING:

- **Om soepel te kunnen remmen mag er geen slag in de wielen zitten, moeten ze correct afgesteld zijn en moeten de zijkanten van de velgen glad zijn zonder slag. De remblokken moeten correct zijn afgesteld op de zijkanten van de velgen. Bescherm de uiteinden van de draden met eindkappen, zodat de draden niet rafelen.**
- **De remmen mogen niet blokkeren of tegen de velgen gedruwd blijven wanneer ze niet worden gebruikt. Als de remmen vastlopen, controleert u of de draden en remhendels schoon en gesmeerd zijn.**

Afstellen

Een ketting die niet goed gespannen is kan gevaarlijk zijn. Als de ketting meer dan 1 cm omhoog of omlaag kan worden bewogen, moet deze worden gespannen.

1. Draai de moeren van het achterwiel los en trek het wiel naar achteren.
2. Draai de moeren vast. Zorg ervoor dat het wiel recht is geïnstalleerd.
3. Controleer of het wiel goed is aangedraaid.

KAYOBA

www.jula.com