

- EN
- FR
- DE
- ES
- IT
- NL
- PT
- DA
- SV
- FI
- NO
- RU
- PL
- CS
- HU
- RO
- LV
- LT
- ET
- HR
- SL
- SK
- BG
- UK
- TR
- EL

**R18MT
TYPE II**





- Important!** It is essential that you read the instructions in this manual before assembling, maintaining and operating the product.
- Attention!** Il est essentiel que vous lisiez les instructions contenues dans ce manuel avant d'assembler, d'entretenir et d'utiliser le produit.
- Achtung!** Es ist wichtig, dass Sie vor Zusammenbau, Wartung und Benutzung des Produktes die Anweisungen in dieser Anleitung lesen.
- ¡Atención!** Resulta fundamental que lea este manual de instrucciones antes de realizar el montaje, el mantenimiento y de utilizar este producto
- Attenzione!** È importante leggere le istruzioni contenute nel presente manuale prima di montare il prodotto, svolgere le operazioni di manutenzione sullo stesso e metterlo in funzione.
- Let op!** Het is van essentieel belang dat u de instructies in deze gebruiksaanwijzing leest voor u het product monteert, onderhoudt en gebruikt.
- Atenção!** É fundamental que leia as instruções deste manual antes da montagem, manutenção e operação do aparelho.
- OBS!** Det er vigtigt, at man læser instrukserne i denne brugsanvisning, inden man samler, vedligeholder og betjener produktet.
- Observera!** Det är viktigt att du läser instruktionerna i manualen före montering, användning och underhåll av produkten.
- Huomio!** On tärkeää, että luet tämän käsikirjan ohjeet ennen tuotteen kokoamista, huoltoa ja käyttöä.
- Advarsel!** Det er viktig at du leser instruksjonene i denne manualen før sammensetning, vedlikehold og bruk av produktet
- Внимание!** Необходимо прочитать инструкции в данном руководстве перед сборкой, обслуживанием и эксплуатацией этого изделия.
- Uwaga!** Koniecznie należy przeczytać instrukcje zawarte w tym podręczniku przed montażem, obsługą oraz konserwacją produktu.
- Důležité upozornění!** Neinstalujte, neprovádějte údržbu ani nepoužívejte tento výrobek dříve, než si přečtete pokyny uvedené v tomto návodu.
- Figyelem!** Fontos, hogy a termék összeszerelése, karbantartása és használatá elött elolvassa a kézikönyvben található utasításokat.
- Atenție!** Este esențial să citiți instrucțiunile din acest manual înainte de asamblare, efectuarea întreinerii și operarea produsului.
- Uzmanību!** Ir svarīgi izlasīt šīs rokasgrāmatas instrukcijas pirms uzstādīšanas, apkopes un preces darbināšanas.
- Děmesio!** Prieš surenkant, prižiūrint ir naudojant gaminį, būtina perskaityti šiame vadove pateiktus nurodymus.
- Tähtis!** Enne masina kokkupanekut, hooldamist ja kasutama hakkamist tuleb käesolevas juhendis esitatud juhised kindlasti läbi lugeda.
- Upozorenie!** Vrlo je važno da ste prije sklapanja, održavanja i rada s ovim proizvodom pročitali upute u ovom priručniku.
- Pomembno!** Pomembno je da pred montažo vzdrževanjem in uporabo tega izdelka preberete navodila v tem priručniku.
- Upozornenie!** Je dôležité, aby ste si pred montážou, údržbou a obsluhou produktu prečítali pokyny v tomto návode.
- Важно!** Исключительно важно е да прочетете инструкциите в настоящото ръководство, преди да преминете към сглобяване, поддръжка или работа с продукта.
- Важливо!** Дуже важливо, щоб ви прочитали інструкції в цьому керівництві перед складанням, обслуговуванням та експлуатацією цієї машини.
- Dikkat!** Ürünün montajını, bakımını yapmadan ve ürünün çalıştırmadan önce bu kılavuzda yer alan talimatları okumanız önemlidir.
- Προσοχή!** Είναι πολύ σημαντικό να διαβάσετε τις οδηγίες στο παρόν εγχειρίδιο πριν συναρμολογήσετε, συντηρήσετε ή λειτουργήσετε το προϊόν.

Subject to technical modification | Sous réserve de modifications techniques | Technische Änderungen vorbehalten | Bajo reserva de modificaciones técnicas | Con riserva di eventuali modifiche tecniche | Technische wijzigingen voorbehouden | Com reserva de modificações técnicas | Med forbehold for tekniske ændringer | Med förbehåll för tekniska ändringar | Tekniset muutokset varataan | Med forbehold om tekniske ændringer | могут быть внесены технические изменения | Z zastrzeżeniem modyfikacji technicznych | Změny technických údajů vyhrazeny | A műszaki módosítás jogát fenntartjuk | Sub rezerva de modificăţiilor tehnice | Paturam tiesības mainīt tehniskos raksturlielumus | Pasliiekant teisę daryti techninius pakeitimus | Tehnised muudatused võimalikud | Podloženo tehničkim promjenama | Tehnične spremembe dopuščene | Právo na technické zmeny je vyhradené | Подлежи на технически модификации | С об'єктом для технічних змін | Teknik değişiklik hakkı saklıdır | Υπό την επιφύλαξη τεχνικών τροποποιήσεων



Safety, performance, and dependability have been given top priority in the design of your multi-tool.

INTENDED USE

The multi-tool is intended to be used only by adults who have read and understood the instructions and warnings in this manual and can be considered responsible for their actions.

The multi-tool is intended to be used:

- for sanding and finishing metal, wood, plastics, or similar materials using the sanding pad with the shaped abrasive sheets provided
- for scraping and plunge-cutting into non-ferrous metal, wood, plastics, plasterboard, etc. using the provided metallic cutting blades
- for cutting holes in walls to accommodate switches or power sockets
- for removing grouting from between ceramic tiles

The multi-tool is intended to be operated indoors in dry, well illuminated and adequately ventilated conditions.

The multi-tool is not intended to be used on wet materials or surfaces.

Do not use the product in any way other than those stated for intended use.

⚠ WARNING

Read all safety warnings, instructions, illustrations and specifications provided with this power tool. Failure to follow all instructions listed below may result in electric shock, fire and/or serious injury.

Save all warnings and instructions for future reference.

MULTI-TOOL SAFETY WARNINGS

- **Hold the power tool by insulated gripping surfaces, when performing an operation where the cutting accessory may contact hidden wiring.** Cutting accessory contacting a “live” wire may make exposed metal parts of the power tool “live” and could give the operator an electric shock.
- Always wear safety goggles while operating the tool. Wear a dust mask when dust is produced.

⚠ WARNING

Dust from certain paints, coatings, and materials may cause irritation or allergic reactions. Dust from wood such as oak, beech, MDF, and others are carcinogenic. Only qualified specialists should be allowed to use the product on materials containing asbestos.

⚠ WARNING

The product should never be connected to a power supply when assembling parts, making adjustments, cleaning, performing maintenance, or when the product is not in use. Disconnecting the product from the power supply will prevent accidental starting that could cause serious injury.

- When working in walls, ceilings or floors, take care to

avoid electric cables and gas or water pipes.

⚠ WARNING

Metallic accessories will become hot during use and could result in skin burns if contacted by the operator. Wear gloves when changing accessories.

Take care when setting down the tool between operations to prevent damage or injury.

- Do not use cutting accessories which are damaged, cracked or do not fit securely to the product.
- The multi-tool creates vibrations which move the accessory. The vibrations may cause discomfort if the product is operated for long periods of time. Take a rest often, especially if you feel discomfort in the arm, wrist, or fingers. Choose a speed setting which will get the work completed efficiently. Read the Residual Risks and Risk Reduction sections for more information on vibration-related injury.
- **Clamp workpiece with a clamping device.** Unclamped workpieces can cause severe injury and damage. Do not hold the material you are sanding by hand.
- **Do not use sanding paper larger than needed.** Extra paper extending beyond the sanding pad can also cause serious lacerations.
- Always wear safety goggles and a dust mask when sanding, especially sanding overhead.
- A suitable breathing respirator must be worn while sanding lead paint, some woods and metal to avoid breathing the harmful/toxic dust or air.
- The dust produced when using the product may be harmful to the health of the operator and bystanders. Operator and bystanders shall not touch and not inhale the dust. Wear a suitable dust protection mask.
- Do not machine any materials that present a danger to health (e.g. asbestos).
- Ambient temperature range for tool during operation is between 0°C and 40°C.
- Ambient temperature range for tool storage is between 0°C and 40°C.
- The recommended ambient temperature range for the charging system during charging is between 10°C and 38°C.

ADDITIONAL BATTERY SAFETY WARNINGS

⚠ WARNING

To reduce the risk of fire, personal injury, and product damage due to a short circuit, never immerse your tool, battery pack or charger in fluid or allow a fluid to flow inside them. Corrosive or conductive fluids, such as seawater, certain industrial chemicals, and bleach or bleach-containing products, etc., can cause a short circuit.

- Ambient temperature range for battery during use is between 0°C and 40°C.
- Ambient temperature range for battery storage is between 0°C and 20°C.

TRANSPORTING LITHIUM BATTERIES

Transport the battery in accordance with local and national provisions and regulations.

Follow all special requirements on packaging and labelling when transporting batteries by a third party. Ensure that no batteries can come in contact with other batteries or conductive materials while in transport by protecting exposed connectors with insulating, non-conductive caps or tape. Do not transport batteries that are cracked or leaking. Check with the forwarding company for further advice.

RESIDUAL RISKS

Even when the product is used as prescribed, it is still impossible to completely eliminate certain residual risk factors. The following hazards may arise and the operator should pay special attention to avoid the following:

- injury caused by dust
 - Wear eye protection at all times.
 - Wear respiratory protection masks containing filters appropriate to the materials being worked. Ensure adequate workplace ventilation.
 - Do not eat, drink or smoke in the work area.
- injury caused by noise and vibration
 - Wear ear protection.
 - Do not operate the product for long periods of time. See "Risk reduction".
- risk of electrocution if electric cables are cut
 - Always hold the product by designated handles. Do not touch the cutting blades or metal parts of the product.

RISK REDUCTION

It has been reported that vibrations from handheld tools may contribute to a condition called Raynaud's Syndrome in certain individuals. Symptoms may include tingling, numbness and blanching of the fingers, usually apparent upon exposure to cold. Hereditary factors, exposure to cold and dampness, diet, smoking, and work practices are all thought to contribute to the development of these symptoms. There are measures that can be taken by the operator to possibly reduce the effects of vibration:

- Keep your body warm in cold weather. When operating the product, wear gloves to keep the hands and wrists warm. It is reported that cold weather is a major factor contributing to Raynaud's Syndrome.
- After each period of operation, exercise to increase blood circulation.
- Take frequent work breaks. Limit the amount of exposure per day.

If you experience any of the symptoms of this condition, immediately discontinue use and see your doctor about these symptoms.

WARNING

Injuries may be caused, or aggravated, by prolonged use of a tool. When using any tool for prolonged periods, ensure you take regular breaks.

KNOW YOUR PRODUCT

See page 93.

1. Blade clamp
2. Blade lock/ release lever
3. Head angle adjusting release button
4. Speed control
5. On/ off switch
6. Lock on switch
7. Plunge cut blade
8. 88-mm Flush cut blade
9. Sanding pad
10. Sandpaper
11. Adaptor */**
12. Battery port
13. Handle, insulated gripping surface

*Compatible with earlier generations of RYOBI, RIDGID, or AEG accessories. RYOBI is a trademark used under license from Ryobi Limited. RIDGID is a trademark of Emerson Electric Co. AEG is a registered trademark used under license from AB Electrolux (publ).

*Compatible with FEIN accessories. FEIN is a trademark of C. & E. Fein GmbH.

**Compatible with DREMEL accessories. DREMEL is a trademark of Robert Bosch Tool Corporation.

OPERATION

The product is supplied with an extra adapter for use with other brands of cutting, scraping, and sanding accessories. Do not use the adapter with the latest generation of RYOBI accessories supplied with your tool. For example, use the adapter with the letters "R&F" facing outwards if you wish to use earlier generation RYOBI, RIDGID or AEG accessories. The adapter may be turned over for use with other brands of accessories.

- Secure workpieces that can move with a clamp to prevent movement during sanding or cutting operations. Do not hold the workpiece by hand. An inadvertent slip while operating the product may cause serious personal injury.
- When making a plunge cut into soft materials like wood and plasterboard using the cutting accessory, gradually bring the vibrating blade to the workpiece. Do not push the vibrating blade hard into the material to be cut. Let the product do the work and concentrate on keeping the product and the cutting accessory stable in the position you wish to make the cut.
- Take extra care when cutting in non-ferrous metals. The vibrating cutting blade may skip around before beginning the cut. If necessary, drill some holes along the line to be cut before you start cutting.
- If the cutting accessories become jammed in the workpiece, switch off the product and disconnect from the power supply. If the cutting accessory cannot be removed easily, allow the cutting accessory to adequately cool before releasing the cutting accessory from the product. Wear gloves and use hand tools, such as pliers or wrench, to remove the cutting accessory from the workpiece.

OVERCURRENT PROTECTION

When overcurrent is detected, the product will automatically switch off.

If the product stops working, release the trigger and then apply again. The product should again start working.

MAINTENANCE

⚠ WARNING

The product should never be connected to a power supply when assembling parts, making adjustments, cleaning, performing maintenance, or when the product is not in use. Disconnecting the product from the power supply will prevent accidental starting that could cause serious injury.

⚠ WARNING

When servicing, use only original manufacturer's replacement parts, accessories and attachments. Use of any other parts may create a hazard or cause product damage.

- Avoid using solvents when cleaning plastic parts. Most plastics are susceptible to various types of commercial solvents and may be damaged by their use. Use clean cloths to remove dirt, carbon dust, etc.

⚠ WARNING

Do not at any time let brake fluids, gasoline, petroleum-based products, penetrating oils, etc., come in contact with plastic parts. Chemicals can damage, weaken or destroy plastic which may result in serious personal injury.

⚠ WARNING

For greater safety and reliability, all repairs should be performed by an authorised service centre.

The dust from plaster and wall board is abrasive and may cause premature failure of the product if it is allowed to enter the motor area. Thoroughly clean the product after use by using a brush and a vacuum. Take care not to push dirt into the ventilation openings. Beware of using compressed air to clean the product because dust and grit can cause serious eye injury.

LUBRICATION

All of the bearings in the product are lubricated with a sufficient amount of high grade lubricant for the life span of the product under normal operating conditions. Therefore, no further lubrication is required.

SYMBOLS



Safety alert



Direct current



Please read the instructions carefully before starting the product.



Wood – Plunge and flush cuts



Non-ferrous metal – Plunge and flush cuts



Plastics – Plunge and flush cuts



To reduce the risk of injury or damage, avoid contact with any hot surface.

Do not dispose of waste batteries, waste electrical and electronic equipment as unsorted municipal waste.

Waste batteries and waste electrical and electronic equipment must be collected separately.

Waste batteries, waste accumulators, and light sources have to be removed from the equipment.

Check with your local authority or retailer for recycling advice and collection point.

According to local regulations, retailers may have an obligation to take back waste batteries and waste electrical and electronic equipment free of charge.

Your contribution to the reuse and recycling of waste batteries and waste electrical and electronic equipment helps to reduce the demand of raw materials.

Waste batteries, in particular containing lithium, and waste electrical and electronic equipment contain valuable and recyclable materials, which can adversely impact the environment and the human health if not disposed of in an environmentally compatible manner.

Delete personal data from waste equipment, if any.



Notre outil multifonctions a été conçu en donnant priorité à la sécurité, à la performance et à la fiabilité.

UTILISATION PREVUE

L'outil multifonctions est destiné à n'être utilisé que par des adultes ayant lu et compris les instructions et avertissements présents dans ce manuel, et pouvant être considérés responsables de leurs actions.

L'outil multifonctions est conçu pour être utilisé :

- pour le ponçage et le polissage du métal, du bois, du plastique, ou matériaux similaires à l'aide des tampons abrasifs fournis
- pour le décapage et la coupe plongeante des métaux non ferreux, du bois, du plastique, des plaques de plâtre, etc. à l'aide des lames de coupe en métal fournies
- pour la découpe de trous dans les murs destinés à recevoir des prises ou des interrupteurs
- pour retirer les joints de carrelage

L'outil multifonctions est destiné à être utilisé à l'intérieur en conditions sèches, avec un bon éclairage et une bonne ventilation.

Ce produit n'est pas conçu pour être utilisé sur des matériaux et surfaces humides.

Ne vous servez pas de ce produit pour d'autres utilisations que celles décrites au chapitre des utilisations prévues.

⚠ AVERTISSEMENT

Lisez attentivement l'ensemble des avertissements, instructions et spécifications fournis avec cet outil, et reportez-vous aux illustrations. Le non-respect des instructions présentées ci-après peut entraîner des accidents tels que des incendies, des décharges électriques et/ou des blessures corporelles graves.

Conservez tous les avertissements et toutes les instructions pour pouvoir vous y reporter ultérieurement.

AVERTISSEMENTS DE SECURITE RELATIFS A L'OUTIL MULTIFONCTIONS

- **Lorsque vous effectuez une opération où l'accessoire de coupe risque d'entrer en contact avec un câble électrique caché, maintenez l'outil par ses surfaces isolées.** Un accessoire de coupe qui entre en contact avec un câble «sous tension» est susceptible de véhiculer le courant électrique vers les parties métalliques de l'outil et de provoquer un choc électrique à l'opérateur.
- Portez toujours des lunettes de sécurité lorsque vous utilisez l'outil. Portez un masque anti-poussière lorsque de la poussière est produite.

⚠ AVERTISSEMENT

La sciure issue de certaines peintures, vernis et matériaux est susceptible de provoquer des irritations ou des réactions allergiques. La sciure de bois tels que le chêne, le hêtre, l'aggloméré et autres est cancérigène. Seuls des spécialistes qualifiés sont autorisés à utiliser le produit sur des matériaux contenant de l'amiant.

⚠ AVERTISSEMENT

Le produit ne doit jamais être branché à une source de courant lorsque vous y montez des pièces, lorsque vous effectuez des réglages, lorsque vous le nettoyez, lorsque vous l'entretenez, ou lorsque vous ne l'utilisez pas. Déconnecter le produit de l'alimentation électrique empêche les démarrages accidentels qui peuvent causer des blessures graves.

- Lorsque vous travaillez sur des murs, des plafonds ou des sols, prenez garde de ne pas entrer en contact avec des câbles électriques ou des tuyaux d'eau ou de gaz.

⚠ AVERTISSEMENT

Les accessoires métalliques deviennent chauds en cours d'utilisation, ce qui constitue un risque de brûlure pour l'opérateur en cas de contact. Portez des gants lorsque vous changez d'accessoire.

Prenez garde lorsque vous posez l'outil entre deux opérations de ne pas causer de dommages ou de blessures.

- N'utilisez pas d'accessoires de coupe qui seraient endommagés, fêlés ou qui ne seraient pas fermement mis en place sur le produit.
- Le produit crée des vibrations qui mettent les accessoires en mouvement. Les vibrations peuvent causer de l'inconfort si le produit est utilisé pendant une période prolongée. Faites souvent des pauses, notamment si vous ressentez de l'inconfort dans le bras, le poignet ou les doigts. Choisissez un réglage de vitesse qui permette de mener la tâche à bien de façon efficace. Lisez les chapitres « Risques résiduels » et « Réduction des risques » pour plus d'informations concernant les blessures causées par les vibrations.
- **Sécurisez la pièce à usiner à l'aide d'un dispositif de serrage. Une pièce à usiner non fixée peut être la cause de blessures graves et de dommages.** Ne tenez pas à la main le matériau à poncer.
- **La feuille de papier abrasif ne doit pas être trop grande.** Si vous laissez le papier abrasif dépasser du patin, vous vous exposez à des risques de blessures graves.
- Mettez toujours des lunettes de sécurité et un masque antipoussière lorsque vous poncez, en particulier lorsque vous tenez la ponceuse au-dessus de votre tête.
- Portez un masque antipoussière adéquat lorsque vous poncez des surfaces recouvertes de peinture à base de plomb ainsi que certains bois et métaux pour éviter d'inhaler de la poussière ou des vapeurs toxiques.
- La poussière générée lors de l'utilisation du produit pourrait être nocive pour la santé de l'opérateur et des observateurs. L'opérateur et les observateurs ne doivent ni toucher ni respirer la poussière. Portez un masque antipoussière adapté.
- N'usinez aucun matériau dangereux pour la santé (ex.: amiante)
- La plage de température ambiante pour l'outil en fonctionnement se situe entre 0 °C et 40 °C.
- La plage de température ambiante pour l'entreposage

de l'outil se situe entre 0 °C et 40 °C.

- La plage de température ambiante recommandée pour le système de chargement en fonctionnement se situe entre 10 °C et 38 °C.

MISES EN GARDE DE SÉCURITÉ SUPPLÉMENTAIRES CONCERNANT LA BATTERIE

⚠ AVERTISSEMENT

Pour réduire le risque d'incendie, de blessures corporelles et de dommages cau-sés par un court-circuit, n'immergez jamais l'outil, le bloc de batterie ou le chargeur dans un liquide et ne laissez pas couler un fluide à l'intérieur de celui-ci. Les fluides corrosifs ou conducteurs, tels que l'eau de mer, certains produits chimiques industriels, les produits de blanchiment ou contenant des agents de blanchiment, etc. peuvent provoquer un court-circuit.

- La plage de température ambiante pour la batterie en utilisation se situe entre 0 °C et 40 °C.
- La plage de température ambiante pour l'entreposage de la batterie se situe entre 0 °C et 20 °C.

TRANSPORT DES BATTERIES AU LITHIUM

Transportez les batteries en conformité avec les dispositions et règlements locaux et nationaux.

Respectez toutes les exigences légales particulières concernant l'emballage et l'étiquetage des batteries lorsque vous confiez leur transport à un tiers. Assurez-vous qu'aucune batterie ne puisse entrer en contact avec une autre batterie ou avec des matériaux conducteurs lors de son transport en isolant les bornes électriques avec du ruban adhésif ou des capuchons isolants non conducteurs. Ne transportez pas une batterie qui serait fendue ou qui fuirait. Demandez conseil au transporteur pour de plus amples informations.

RISQUES RESIDUELS

Même lorsque le produit est utilisé selon les prescriptions, il reste impossible d'éliminer totalement certains facteurs de risque résiduels. Les dangers suivants risquent de se présenter en cours d'utilisation et l'utilisateur doit prêter particulièrement garde aux points suivants :

- Blessures dues à la poussière
 - Portez en permanence une protection oculaire.
 - Portez un masque de protection respiratoire adapté aux matériaux coupés Assurez une ventilation correcte à l'espace de travail.
 - Ne mangez pas, de buvez pas, et ne fumez pas dans l'espace de travail.
- Blessures causées par le bruit et les vibrations
 - Portez une protection auditive
 - N'utilisez pas le produit de façon prolongée. Voir « Réduction des risques ».
- Risque d'électrocution en cas de section de câbles électriques
 - Tenez toujours le produit par les poignées destinées à cet usage. Ne touchez pas les lames de coupe ou les parties métalliques du produit.

RÉDUCTION DES RISQUES

Il a été reporté que les vibrations engendrées par les outils tenus à main peuvent contribuer à l'apparition d'un état appelé le syndrome de Raynaud chez certaines personnes. Les symptômes peuvent comprendre des fourmillements, un engourdissement et un blanchiment des doigts, généralement par temps froid. Des facteurs héréditaires, l'exposition au froid et à l'humidité, le régime alimentaire, le tabagisme et les habitudes de travail peuvent contribuer au développement de ces symptômes. Certaines mesures peuvent être prises par l'utilisateur pour aider à réduire les effets des vibrations:

- Gardez votre corps au chaud par temps froid. Lorsque vous utilisez l'appareil, portez des gants afin de garder vos mains et vos poignets au chaud. Le temps froid est considéré comme un facteur contribuant très largement à l'apparition du syndrome de Raynaud.
- Après chaque session de travail, pratiquez des exercices qui favorisent la circulation sanguine.
- Faites des pauses fréquentes. Limitez la quantité d'exposition journalière.

Si vous ressentez l'un des symptômes associés à ce syndrome, arrêtez immédiatement le travail et consultez votre médecin pour lui en faire part.

⚠ AVERTISSEMENT

L'utilisation prolongée d'un outil est susceptible de provoquer ou d'aggraver des blessures. Assurez-vous de faire des pauses de façon régulière lorsque vous utilisez tout outil de façon prolongée.

APPRENEZ A CONNAITRE VOTRE PRODUIT

Voir page 93.

1. Bride de lame
2. Levier de verrouillage / libération de lame
3. Bouton de réglage de l'angle de la tête
4. Contrôle de la vitesse
5. Interrupteur marche/arrêt
6. Interrupteur à verrou
7. Lame plongeante
8. Lame pour coupe à ras
9. Patin
10. Papier de verre
11. Adaptateur */**
12. Réceptacle de la batterie
13. Poignée, surface de préhension isolée

*Compatible avec les générations précédentes d'accessoires RYOBI, RIDGID ou AEG. RYOBI est une marque commerciale, utilisée sous licence de Ryobi Limited. RIDGID est une marque commerciale d'Emerson Electric Co. AEG est une marque commerciale déposée, utilisée sous licence d'AB Electrolux (publ).

**Compatible avec les accessoires FEIN. FEIN est une marque commerciale de C. & E. Fein GmbH.

**Compatible avec les accessoires DREMEL. DREMEL est une marque commerciale de Robert Bosch Tool Corporation.



UTILISATION

Le produit est fourni avec un adaptateur supplémentaire permettant d'utiliser les accessoires de coupe, de décapage et de ponçage d'autres fabricants. N'utilisez pas l'adaptateur avec les accessoires RYOBI de dernière génération fournis avec votre outil. Par exemple, utilisez l'adaptateur avec les lettres « R&F » dirigées vers l'extérieur si vous désirez utiliser des accessoires RYOBI, RIDGID ou AEG d'ancienne génération. L'adaptateur peut être retourné pour être utilisé avec d'autres marques d'accessoires.

- Bloquez les pièces à usiner avec un serre-joint pour éviter qu'elles ne bougent en cours de ponçage ou de coupe. Ne tenez jamais une pièce à la main. Un mouvement involontaire en cours d'opération peut entraîner de graves blessures.
- Lorsque vous effectuez une coupe plongeante dans un matériau tendre comme du bois ou une plaque de plâtre avec l'accessoire de coupe, approchez progressivement la lame vibrante de la pièce à couper. Ne poussez pas la lame vibrante trop fort dans le matériau à couper. Laissez le produit faire le travail et concentrez-vous sur la stabilité du produit et de l'accessoire de découpe dans la position de découpe désirée.
- Redoublez d'attention lorsque vous coupez des matériaux non ferreux. La lame de coupe vibrante est susceptible de déraiper avant que le coupe ne soit entamée. Si nécessaire, percez quelques trous le long de la ligne de découpe avant de commencer à couper.
- Si l'accessoire de coupe se coince dans la pièce à couper, arrêtez le produit et débranchez-le de la source de courant. Si l'accessoire de coupe ne peut pas être retiré facilement, laissez-le refroidir suffisamment avant de le retirer du produit. Portez des gants et utilisez des outils à main, tels que des pinces et des clés, pour retirer l'accessoire de coupe de la pièce à couper.

PROTECTION CONTRE LES SURINTENSITÉS

Lorsqu'une surintensité est détectée, l'appareil s'éteint automatiquement.

Si le produit arrête de fonctionner, relâchez le déclencheur et l'engagez à nouveau. Le produit doit recommencer à fonctionner.

ENTRETIEN

⚠ AVERTISSEMENT

Le produit ne doit jamais être branché à une source de courant lorsque vous y montez des pièces, lorsque vous effectuez des réglages, lorsque vous le nettoyez, lorsque vous l'entretenez, ou lorsque vous ne l'utilisez pas. Déconnecter le produit de l'alimentation électrique empêche les démarrages accidentels qui peuvent causer des blessures graves.

⚠ AVERTISSEMENT

N'effectuez l'entretien qu'à l'aide de pièces détachées et d'accessoires d'origine constructeur. L'utilisation de toute autre pièce est susceptible de présenter un danger ou d'endommager votre outil.

- Évitez d'utiliser des solvants pour nettoyer les parties en plastique. La plupart des plastiques sont susceptibles d'être endommagés par les solvants disponibles dans le commerce. Utilisez un chiffon propre pour essuyer les impuretés, la poussière, etc.

⚠ AVERTISSEMENT

Ne laissez jamais du liquide de frein, de l'essence, des produits pétroliers, des huiles pénétrantes, etc. entrer en contact avec les éléments en plastique. Les produits chimiques peuvent endommager, affaiblir ou détruire les plastiques, ce qui pourrait entraîner de graves blessures.

⚠ AVERTISSEMENT

Pour plus de sécurité et de fiabilité, toutes les réparations doivent être effectuées par un service centre de service agréé.

La poussière de plâtre et des panneaux muraux est abrasive et peut entraîner un dysfonctionnement prématuré du produit si elle pénètre dans le moteur. Nettoyez soigneusement le produit après utilisation à l'aide d'un pinceau et d'un aspirateur. Prenez garde de ne pas pousser la poussière dans les ouvertures de ventilation. N'utilisez pas d'air comprimé pour nettoyer le produit car les poussières et les particules peuvent entraîner de graves blessures oculaires.

LUBRIFICATION

Tous les roulements de ce produit sont lubrifiés avec une quantité suffisante d'huile de haute qualité pour toute sa durée de vie dans des conditions d'utilisation normales. Par conséquent, aucune lubrification supplémentaire n'est nécessaire.

SYMBOLES



Alerte de sécurité



Courant continu



Veuillez lire attentivement le mode d'emploi avant de démarrer la machine.



Bois - Découpe plongeante et à ras



Métaux non ferreux - Découpe plongeante et à ras



Plastique - Découpe plongeante et à ras



Afin de réduire le risque de blessure ou de dommage, évitez tout contact avec une surface chaude.



Ne jetez pas les batteries et les équipements électriques et électroniques usagés parmi les déchets municipaux non triés.

Les batteries et les équipements électriques et électroniques usagés doivent être collectés séparément.

Les batteries, accumulateurs et sources lumineuses usagés doivent être retirés de l'équipement.

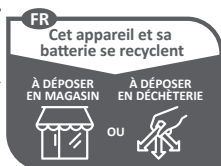
Pour obtenir des conseils en matière de recyclage et de points de collecte, se renseigner auprès des autorités locales ou du détaillant.

Selon les réglementations locales, les détaillants peuvent avoir l'obligation de récupérer gratuitement les batteries et les équipements électriques et électroniques usagés.

Votre contribution à la réutilisation et au recyclage des batteries et équipements électriques et électroniques usagés permet de réduire la demande en matières premières.

Les batteries, notamment celles qui contiennent du lithium, ainsi que les équipements électriques et électroniques usagés comportent des matériaux précieux et recyclables, qui peuvent avoir un impact négatif sur l'environnement et la santé humaine s'ils ne sont pas éliminés de manière respectueuse de l'environnement.

Supprimer les données personnelles de l'équipement usagé, le cas échéant.



Points de collecte sur www.quefairedemesdechets.fr

Sicherheit, Leistung und Zuverlässigkeit hatten oberste Priorität bei der Entwicklung Ihres Multitools.

BESTIMMUNGSGEMÄSSE VERWENDUNG

Dieses Multitool ist nur für den Gebrauch durch Erwachsene vorgesehen, die die Bedienungsanleitung gelesen und verstanden haben und als verantwortlich für ihre Taten erachtet werden können.

Das Multitool ist vorgesehen zum:

- Schleifen und Bearbeiten von Metall, Holz, Kunststoff oder ähnliche Materialien mit dem Schleifpad und den mitgelieferten, geformten Schleifpapieren.
- Schaben und Tauchschneiden in Buntmetalle, Holz, Kunststoff, Gipskarton usw. mit den mitgelieferten Schneidklingen.
- Schneiden von Löchern für Schalter oder Steckdosen in Wänden
- Entfernen von Fugen zwischen Keramikfliesen

Das Multitool ist für den Innengebrauch bei trockener, gut beleuchteter und ausreichend belüfteter Umgebung vorgesehen

Das Produkt ist nicht für den Einsatz an nassen Materialien oder Flächen geeignet.

Benutzen Sie das Produkt nicht für andere Aufgaben, als die genannten bestimmungsgemäßen Verwendungen.

⚠️ WARNUNG

Lesen Sie aufmerksam alle mit diesem Werkzeug gelieferten Warnungen, Anweisungen und Spezifikationen, beziehen Sie sich auf die Illustrationen. Die Nichtbeachtung der weiter unten aufgeführten Anweisungen kann Unfälle wie Brände, Elektroschocks und/oder schwere Körperverletzungen zur Folge haben.

Bewahren Sie diese Sicherheitshinweise und Anweisungen für einen späteren Gebrauch gut auf.

MULTITOOL SICHERHEITSWARNUNGEN

- Halten Sie das Gerät an den isolierten Griffflächen, wenn Sie Arbeiten ausführen, bei denen das Einsatzwerkzeug verborgene Stromleitungen treffen kann. Der Kontakt mit einer spannungsführenden Leitung kann auch metallene Geräteteile unter Spannung setzen und zu einem elektrischen Schlag führen.
- Tragen Sie immer eine Sicherheitsbrille, wenn Sie das Werkzeug benutzen. Tragen Sie eine Staubmaske, wenn Staub entsteht.

⚠️ WARNUNG

Staub von bestimmten Farben, Beschichtungen und Materialien können Irritationen oder allergische Reaktionen der Atemwege verursachen. Staub von Holz wie Eiche, Buche, Faserstoffplatten und anderen ist krebserregend. Nur qualifizierte Spezialisten dürfen das Produkt mit asbesthaltigen Materialien benutzen dürfen.

⚠️ WARNUNG

Das Produkt darf niemals an das Stromnetz angeschlossen sein, wenn Sie Teile zusammenbauen, Einstellungen vornehmen, reinigen, Wartungsarbeiten durchführen, oder wenn das Produkt nicht benutzt wird. Das Trennen des Produkts von der Stromversorgung verhindert einen unbeabsichtigten Start, der zu schweren Verletzungen führen kann.

- Achten Sie beim Arbeiten in Wänden, Decken oder Böden darauf keine elektrischen Kabel oder Gas- oder Wasserleitungen zu treffen.

⚠️ WARNUNG

Zubehörteile aus Metall werden bei der Benutzung heiß und können zu Hautverbrennungen führen, wenn der Benutzer sie berührt. Tragen Sie Handschuhe beim Wechseln von Zubehörteilen.

Seien Sie vorsichtig, wenn Sie das Werkzeug zwischendurch ablegen, um Schäden und Verletzungen zu verhindern.

- Verwenden Sie kein beschädigtes, gerissenes Zubehör oder Zubehör das nicht sicher an das Produkt passt.
- Das Produkt erzeugt Vibrationen, die das Zubehör bewegen. Die Vibrationen können zu Unannehmlichkeiten führen, wenn das Produkt über einen längeren Zeitraum betrieben wird. Legen Sie des öfteren Pausen ein, vor allem, wenn Sie Unbehagen im Arm, Handgelenk oder in den Fingern fühlen. Wählen Sie eine Geschwindigkeit, die ausreicht, um die Arbeit effizient zu erledigen. Lesen Sie den Abschnitt Restrisiken und Risikoverringerung für weitere Informationen über vibrationsbedingte Verletzungen.
- Sichern Sie Ihr Werkstück mit einer Spannvorrichtung. Ungesicherte Werkstücke können schwere Verletzungen und Schäden verursachen. Halten Sie das zu schleifende Material nicht mit der Hand.
- Das Schleifpapier darf nicht zu groß sein. Wenn das Schleifpapier über den Schleifschuh hinausragt, kann es zu schweren Verletzungen kommen.
- Tragen Sie stets eine Sicherheitsbrille und eine Staubschutzmaske während Sie schleifen, vor allem, wenn Sie das Produkt über Ihrem Kopf halten.
- Tragen Sie eine geeignete Staubschutzmaske, wenn Sie Flächen schleifen, die mit einer bleihaltigen Farbe lackiert sind, sowie beim Schleifen bestimmter Holzarten und Metalle, um zu vermeiden, dass Sie giftige Stäube oder Dämpfe einatmen.
- Der beim Einsatz des Geräts entstehende Staub kann gesundheitsschädlich für den Bediener und weitere anwesende Personen sein. Der Bediener und anwesenden Personen dürfen den Staub weder berühren noch einatmen. Tragen Sie eine angemessene Staubschutzmaske.
- Bearbeiten Sie keine Materialien, die ein Gesundheitsrisiko darstellen (z. B. Asbest).
- Der Umgebungstemperaturbereich für das Werkzeug während des Betriebs liegt zwischen 0 °C und 40 °C.

- Der Umgebungstemperaturbereich für die Lagerung des Werkzeugs liegt zwischen 0 °C und 40 °C.
- Der empfohlene Umgebungstemperaturbereich für das Ladesystem während des Ladevorgangs liegt zwischen 10 °C und 38 °C.

WEITERE SICHERHEITSHINWEISE ZUM AKKU

⚠️ WARNUNG

Um die durch einen Kurzschluss verursachte Gefahr eines Brandes, von Verletzungen oder Produktbeschädigungen zu vermeiden, tauchen Sie das Werkzeug, den Wechselakku oder das Ladegerät nicht in Flüssigkeiten ein und sorgen Sie dafür, dass keine Flüssigkeiten in die Geräte und Akkus eindringen. Korrodierende oder leitfähige Flüssigkeiten, wie Salzwasser, bestimmte Chemikalien und Bleichmittel oder Produkte, die Bleichmittel enthalten, können einen Kurzschluss verursachen.

- Der Umgebungstemperaturbereich für die Batterie während des Gebrauchs liegt zwischen 0 °C und 40 °C.
- Der Umgebungstemperaturbereich für die Lagerung der Batterie liegt zwischen 0 °C und 20 °C.

TRANSPORT VON LITHIUM AKKUS

Transportieren Sie den Akku gemäß Ihren örtlichen und nationalen Bestimmungen und Regeln.

Befolgen Sie alle besonderen Anforderungen für Verpackung und Beschriftung, wenn Sie Akkus von Dritten transportieren lassen. Stellen Sie sicher, dass beim Transport kein Akku in Kontakt mit anderen Akkus oder leitenden Materialien kommt, indem Sie die freien Anschlüsse mit Isolierband, nichtleitenden Kappen oder Klebeband schützen. Transportieren Sie keine Akkus die gebrochen oder undicht sind. Befragen Sie Ihre Transportfirma nach weiteren Informationen.

RESTRISIKEN

Sogar wenn das Produkt wie vorgeschrieben benutzt wird, ist es unmöglich ein gewisses Restrisiko vollständig auszuschließen. Die folgenden Gefahren können bei der Benutzung entstehen, und der Benutzer sollte besonders auf folgende Punkte achten:

- Durch Staub verursachte Verletzungen.
 - Tragen Sie immer einen Augenschutz.
 - Tragen Sie eine für das zu bearbeitende Material geeignete Atemschutzmaske mit Filter. Sorgen Sie für ausreichende Belüftung des Arbeitsbereichs.
 - Essen, trinken oder rauchen Sie nicht in dem Arbeitsbereich.
- Verletzungen durch Lärm und Vibration
 - Gehörschutz tragen
 - Benutzen Sie das Produkt nicht für lange Zeiträume. Siehe "Risikoverringern".
- Gefahr von Stromschlag, wenn Stromkabel zertrennt werden.
 - Halten Sie das Produkt immer an den vorgesehenen Griffen. Berühren Sie nicht die Schneidklingen oder Metallteile des Produktes.

RISIKOVERRINGERUNG

Vibrationen von in der Hand gehaltenen Werkzeugen können bei einigen Personen zu einem Zustand, der Raynaud-Syndrom genannt wird, führen. Symptome sind u.a. Kribbeln, Taubheitsgefühl und episodische Weißfärbung der Finger und treten normalerweise bei Kälte auf. Man geht davon aus, dass ererbte Faktoren, Kälte und Feuchtigkeit, Essgewohnheiten, Rauchen und Arbeitsweise zur Entwicklung dieser Symptome beitragen. Der Anwender kann Maßnahmen ergreifen, um die Auswirkungen der Vibrationen möglicherweise zu verringern:

- Halten Sie den Körper bei Kälte warm. Tragen Sie beim Betrieb des Geräts Handschuhe, um Hände und Handgelenke warm zu halten. Berichten zu Folge ist kaltes Wetter ein wesentlicher Faktor, der zum Raynaud Syndrom beiträgt.
- Betätigen Sie sich nach jedem Einsatz körperlich, um den Blutkreislauf zu steigern.
- Machen Sie regelmäßig Pausen. Beschränken Sie die Beanspruchung pro Tag.

Sollten bei Ihnen eines der zuvor beschriebenen Symptome / Zustände auftreten, stellen Sie unverzüglich den Betrieb ein und suchen Sie bezüglich der Symptome einen Arzt auf.

⚠️ WARNUNG

Verletzungen können durch lange Benutzung eines Werkzeugs entstehen oder verschlimmert werden. Machen Sie regelmäßig Pause, wenn Sie ein Werkzeug für lange Zeit benutzen.

MACHEN SIE SICH MIT IHREM PRODUKT VERTRAUT

Siehe Seite 93.

1. Werkzeugaufnahme
2. Ver-/ Entrieglungshebel
3. Entriegelungsknopf für die Winkelverstellung
4. Drehzahlregelung
5. Ein-/Ausschalter
6. Sperrschalter
7. Einsteckschliffklinge
8. Glattschnittsägeblatt
9. Schleifschuh
10. Sandpapier
11. Adapter */**
12. Akkupaack-Aufnahmeschacht
13. Handgriff, isolierte Grifffläche

*Mit den früheren Zubehörreihen der Firmen RYOBI, RIDGID und AEG kompatibel. RYOBI ist eine von Ryobi Limited lizenzierte Handelsmarke. RIDGID ist eine Handelsmarke von Emerson Electric Co. AEG ist eine registrierte von AB Electrolux (publ) lizenzierte Handelsmarke.

*Kompatibel mit Zubehör von FEIN. FEIN ist eine Handelsmarke der C. & E. Fein GmbH.

**Kompatibel mit Zubehör von DREMEL. DREMEL ist eine Handelsmarke der Robert Bosch Tool Corporation.

BETRIEB

Das Produkt wird mit einem zusätzlichen Adapter zum Einsatz mit anderen Marken von Zubehör zum Schneiden,

Schaben und Schleifen geliefert. Benutzen Sie den Adapter nicht mit der neuesten Generation von RYOBI Zubehör, das mit Ihrem Werkzeug geliefert wurde. Zum Beispiel, benutzen Sie den Adapter mit den Buchstaben "R&F" nach außen gerichtet, wenn Sie frühere Generationen von RYOBI, RIDGID oder AEG Zubehör benutzen. Der Adapter kann zur Benutzung mit anderen Zubehörmarken umgedreht werden.

- Befestigen Sie das Werkstück mit einer Klemme, um Bewegung beim Schleifen oder Sägen zu verhindern. Halten Sie ein Werkstück niemals mit der Hand. Ein versehentlicher Ausrutscher während Sie das Produkt benutzen kann schwere Verletzungen verursachen.
- Wenn Sie einen Tauchschnitt in weichem Material wie Holz und Gipskarton mit den Sägezubehör durchführen, führen Sie das vibrierende Sägeblatt langsam an das Werkstück heran. Drücken Sie das vibrierende Sägeblatt nicht fest in das zu schneidende Material. Lassen Sie das Produkt die Arbeit machen und konzentrieren sich darauf, das Produkt und das Schneidzubehör stabil in der Position zu halten, in der Sie den Schnitt machen möchten.
- Seien Sie besonders vorsichtig, wenn Sie in Buntmetall sägen. Die vibrierende Klinge kann hin und her springen, bevor Sie anfangen zu sägen. Wenn nötig, bohren Sie einige Löcher entlang der zu schneidenden Linie, bevor Sie mit dem Schneiden beginnen.
- Wenn das Schneidwerkzeug in dem Werkstück verklemmt ist, schalten Sie das Produkt aus und trennen es von der Stromversorgung. Wenn das Schneidwerkzeug nicht einfach entfernt werden kann, lassen Sie das Schneidwerkzeug ausreichend abkühlen, bevor Sie das Schneidwerkzeug von dem Produkt lösen. Tragen Sie Handschuhe und benutzen Handwerkzeug, wie Zange und Schraubenschlüssel, um das Schneidwerkzeug aus dem Werkstück zu entfernen.

ÜBERSTROMSCHUTZ

Bei Erkennung eines Überstroms schaltet sich das Gerät automatisch ab.

Wenn das Produkt anhält, den Abzugshebel loslassen und wieder anziehen. Das Produkt sollte dann wieder funktionieren.

WARTUNG UND PFLEGE

⚠️ WARNUNG

Das Produkt darf niemals an das Stromnetz angeschlossen sein, wenn Sie Teile zusammenbauen, Einstellungen vornehmen, reinigen, Wartungsarbeiten durchführen, oder wenn das Produkt nicht benutzt wird. Das Trennen des Produkts von der Stromversorgung verhindert einen unbeabsichtigten Start, der zu schweren Verletzungen führen kann.

⚠️ WARNUNG

Verwenden Sie zur Wartung ausschließlich original Ersatzteile, Zubehör und Aufsätze des Herstellers. Der Einsatz von anderen Teilen kann eine Gefahr verursachen oder das Produkt beschädigen.

- Vermeiden Sie beim Reinigen der Plastikteile den Einsatz von Lösungsmitteln. Die meisten Kunststoffe können durch im Handel erhältliche Lösungsmittel beschädigt werden. Verwenden Sie einen sauberen Lappen für die Reinigung von Verschmutzungen, Karbonstaub usw.

⚠️ WARNUNG

Lassen Sie niemals Bremsflüssigkeiten, Benzine, Produkte auf Erdölbasis, Rostlöser usw. mit den Plastikteilen in Kontakt geraten. Chemikalien können Plastik beschädigen, aufweichen oder zerstören, was zu schweren Verletzungen führen kann.

⚠️ WARNUNG

Alle Reparaturen sollten zur besseren Sicherheit und Zuverlässigkeit von einem autorisierten Kundendienst durchgeführt werden.

Der Staub von Gipskarton oder Wandtafeln ist aggressiv und kann vorzeitiges Versagen des Produktes verursachen, wenn er in den Motorbereich eindringen kann. Reinigen Sie das Produkt gründlich mit Bürste und Staubsauger nach der Benutzung. Achten Sie darauf keinen Schmutz in die Belüftungsöffnungen zu drücken. Benutzen Sie keine Druckluft, um das Produkt zu reinigen, weil Staub und Schmutz schwere Augenverletzungen verursachen können

ÖLEN

Alle Lagerelemente in dem Produkt sind mit genug qualitativ hochwertigem Schmiermittel für die gesamte Lebensdauer des Produktes unter normalen Betriebsbedingungen gelb. Es ist daher keine zusätzliche Schmierung erforderlich.

SYMBOLS



Sicherheitswarnung



Gleichstrom



Bitte lesen Sie die Anweisungen sorgfältig, bevor Sie das Gerät einschalten.



Holz - Tauch- und Glattschnitte



NE-Metall - Tauch- und Glattschnitte



Kunststoffe - Tauch- und Glattschnitte



Um das Risiko von Verletzungen und Beschädigungen zu verringern, vermeiden Sie den Kontakt mit heißen Oberflächen.

Entsorgen Sie Altbatterien, Elektro- und Elektronikaltgeräte nicht als unsortierten Siedlungsabfall.

Altbatterien und Elektro- und Elektronikaltgeräte müssen getrennt gesammelt werden.

Altbatterien, Altakkumulatoren und Lichtquellen müssen aus den Geräten entfernt werden.

Informieren Sie sich bei den örtlichen Behörden oder bei Ihrem Einzelhändler über Recyclingoptionen und die Entsorgungseinrichtung.

Je nach den örtlichen Vorschriften kann der Einzelhandel verpflichtet sein, Altbatterien und Elektro- und Elektronik-Altgeräte unentgeltlich zurückzunehmen.

Ihr Beitrag zur Wiederverwendung und zum Recycling von Elektro- und Elektronikaltgeräten trägt dazu bei, den Bedarf an Rohstoffen zu verringern.

Altbatterien, insbesondere lithiumhaltige Batterien, und Elektro- und Elektronik-Altgeräte enthalten wertvolle, wiederverwertbare Materialien, die sich negativ auf die Umwelt und die menschliche Gesundheit auswirken können, wenn sie nicht auf umweltverträgliche Weise entsorgt werden.

Löschen Sie ggf. personenbezogene Daten aus Altgeräten.



Seguridad, desempeño y fiabilidad han sido las prioridades en el diseño de su multiherramienta.

USO PREVISTO

Esta multiherramienta está diseñada para ser utilizada por adultos que hayan leído y comprendido las instrucciones y advertencias recogidas en este manual y que puedan ser considerados responsables de sus acciones.

La multi-herramienta está destinada a utilizarse:

- para el lijado y acabado de metal, madera, plástico o materiales similares utilizando la almohadilla de lijado con las hojas abrasivas moldadas suministradas
- para raspar y puntear en metales no ferrosos, madera, plástico, cartón-yeso, etc., utilizando las hojas de corte metálicas suministradas
- para el corte de agujeros en las paredes para dar cabida a interruptores o tomas de corriente
- para la eliminación de la argamasa entre las baldosas de cerámica

La multi-herramienta está destinada a utilizarse en interiores en condiciones secas, bien iluminados y ventilados adecuadamente.

El producto no está destinado a ser utilizado sobre materiales y superficies mojadas.

Utilice el producto exclusivamente para el uso para el que fue diseñado.

⚠ ADVERTENCIA

Lea atentamente todas las advertencias, instrucciones y especificaciones suministradas con la herramienta, y consulte las ilustraciones. El incumplimiento de las instrucciones que se indican a continuación puede ocasionar diversos accidentes como incendios, descargas eléctricas y/o graves heridas corporales.

Guarde todas estas advertencias e instrucciones para futuras referencias.

ADVERTENCIAS DE SEGURIDAD DE LA MULTI-HERRAMIENTA

- **Sujete la herramienta eléctrica por las superficies de sujeción aislantes cuando realice una operación en la que el accesorio de corte pueda entrar en contacto con el cableado oculto.** El accesorio de corte que esté en contacto con un cable "vivo" puede transmitir corriente a las piezas metálicas de la herramienta que estén expuestas y el operador podría sufrir una descarga eléctrica.
- Use siempre gafas de seguridad mientras opera la herramienta. Use una máscara anti polvo cuando se produce polvo.

⚠ ADVERTENCIA

El polvo de ciertas pinturas, revestimientos y materiales puede causar irritación o reacciones alérgicas en el sistema respiratorio. El polvo de madera como el roble, la haya, el MDF y otros es cancerígeno. Solo especialistas cualificados deben utilizar el producto sobre materiales que contengan amianto.

⚠ ADVERTENCIA

El aparato nunca debe estar conectado a una fuente de alimentación eléctrica cuanto esté montando las piezas, realizando ajustes, limpiándolo, realizando el mantenimiento o cuando no lo esté utilizando. Desconectar el producto de la fuente de suministro evitará que se encienda de manera accidental, lo que podría provocar lesiones graves.

- Cuando se trabaja en paredes, techos o pisos, tenga cuidado para evitar los cables eléctricos y tuberías de gas o agua.

⚠ ADVERTENCIA

Los accesorios metálicos se calientan durante el uso y puede resultar en quemaduras en la piel si entra en contacto con el operador. Use guantes cuando cambie accesorios.

Tenga cuidado al ajustar por la herramienta entre las operaciones para evitar daños o lesiones.

- No utilice accesorios que estén dañados, agrietados o no encajan de forma segura al producto del corte.
- El producto genera una vibración que mueve el accesorio. Las vibraciones pueden generar molestias si el producto se utiliza durante largos periodos de tiempo. Descanse con frecuencia, especialmente si siente molestias en el brazo, la muñeca o los dedos. Elija un ajuste de velocidad que terminará el trabajo de manera eficiente. Lea las secciones de riesgos residuales y de reducción de riesgo para más información sobre lesiones relacionadas con las vibraciones.
- **Sujete la pieza de trabajo con un dispositivo de sujeción.** Las piezas de trabajo mal sujetas pueden causar daños y lesiones graves. No sujete el material que esté lijando con la mano.
- **La hoja de papel abrasivo de lija no debe ser demasiado grande.** Si la hoja de lija rebasa el patín, podrá sufrir heridas graves.
- Use siempre gafas de seguridad herméticas y una máscara contra el polvo cuando utilice la lijadora, especialmente en los trabajos en los que deba sujetar la lijadora por encima de su cabeza.
- Debe utilizar una máscara facial con filtro cuando lije superficies cubiertas con pintura a base de plomo, al igual que cuando trabaje ciertas maderas o metales, para evitar la inhalación de polvo o de vapores tóxicos.
- El polvo producido durante el uso del producto puede suponer un peligro para la salud del usuario o de los transeúntes. El usuario y los transeúntes no deben tocar ni inhalar el polvo. Utilice una máscara de protección contra el polvo adecuada.

- No mecanice ningún material que pueda suponer un peligro para la salud (como por ejemplo, amianto).
- El rango de temperatura ambiente para la herramienta (producto) en funcionamiento es de entre 0 y 40 °C.
- El rango de temperatura ambiente en el entorno en el que se guarde la herramienta (producto) es de entre 0 y 40 °C.
- El rango de temperatura ambiente recomendado para el sistema de carga durante la carga es de entre 10 y 38 °C.

ADVERTENCIAS DE SEGURIDAD DE LA BATERÍA ADICIONAL

⚠ ADVERTENCIA

Para reducir el riesgo de incendio, lesión personales y daños al producto debido a un cortocircuito, no sumerja nunca la herramienta, el paquete de baterías o el cargador en líquido ni permita que fluya un fluido dentro de ellos. Los fluidos corrosivos o conductivos, como el agua de mar, ciertos productos químicos industriales y blanqueadores o lejías que contienen, etc., Pueden causar un cortocircuito.

- El rango de temperatura ambiente para la batería en uso es de entre 0 y 40 °C.
- El rango de temperatura ambiente para el almacenamiento de batería es de entre 0 y 20 °C.

TRANSPORTE DE BATERÍAS DE LITIO

Transporte la batería de conformidad con las disposiciones y las normativas locales y nacionales.

Cuando las baterías sean transportadas por un tercero, cumpla los requisitos especiales relativos al embalaje y etiquetado. Asegúrese de que ninguna batería entra en contacto con otra batería o con materiales conductores durante el transporte, proteja los conectores expuestos con tapones o tapas aislantes no conductoras. No transporte baterías con fisuras o fugas. Para más asesoramiento, póngase en contacto con la empresa de distribución.

RIESGOS RESIDUALES

Incluso cuando se utiliza el producto según las instrucciones, sigue siendo imposible eliminar por completo ciertos factores de riesgo residuales. Pueden surgir los siguientes riesgos durante el uso y el operador debe prestar especial atención para evitar lo siguiente:

- Lesiones causadas por el polvo
 - Use siempre protección para los ojos.
 - Use mascarillas protectoras con filtros adecuados para los materiales con los que va a trabajar. Asegure una ventilación adecuada del lugar de trabajo.
 - No comer, beber o fumar en el área de trabajo.
- Lesiones causadas por el ruido y la vibración
 - Utilice dispositivos de protección para los oídos
 - No utilice el producto durante largos periodos de tiempo. Consulte el apartado "Reducción De Riesgos".

- Riesgo de electrocución si se cortan los cables eléctricos
 - Sujete siempre el producto por tiradores designados. No toque las cuchillas de corte o partes metálicas del producto.

REDUCCIÓN DEL RIESGO

Se ha informado de que las vibraciones de las herramientas manuales pueden contribuir a una enfermedad llamada síndrome de Raynaud en ciertos individuos. Los síntomas pueden incluir hormigueo, entorpecimiento y decoloración de los dedos, generalmente aparentes cuando tiene lugar una exposición al frío. Se considera que los factores hereditarios, exposición al frío y a la humedad, dieta, tabaquismo y prácticas de trabajo contribuyen al desarrollo de estos síntomas. Existen medidas que pueden ser tomadas por el operador para reducir los efectos de vibración:

- Mantenga su cuerpo caliente durante el tiempo frío. Al manipular la unidad, utilice guantes para mantener las manos y las muñecas calientes. Hay informes que indican que el tiempo frío es un gran factor que contribuye al síndrome de Raynaud.
- Después de cada período de funcionamiento, realice ejercicios para aumentar la circulación sanguínea.
- Haga pausas de trabajo frecuentes. Limite la cantidad de exposición por día.

Si siente alguno de los síntomas de esta enfermedad, interrumpa inmediatamente el uso y consulte a su médico estos síntomas.

⚠ ADVERTENCIA

El uso prolongado de la herramienta puede provocar o agravar lesiones. Al utilizar cualquier herramienta durante períodos prolongados asegúrese de tomar descansos regulares.

CONOZCA EL PRODUCTO

Consulte la página 93.

1. Abrazadera de la hoja
2. Bloqueo de la hoja / liberación de palanca
3. Ángulo de la cabeza de ajuste botón de liberación
4. Control de la velocidad
5. Interruptor de encendido/apagado
6. Interruptor de bloqueo
7. Cuchilla de corte de inmersión
8. 88-mm Flush cut blade
9. Patín
10. Papel de lija
11. Adaptador **
12. Puerto de la batería
13. Asa, superficie de agarre aislada

*Compatible con generaciones anteriores de accesorios de RYOBI, RIDGID o AEG. RYOBI es una marca comercial utilizada bajo licencia de Ryobi Limited. RIDGID es una marca comercial de Emerson Electric Co. AEG es una marca comercial registrada utilizada bajo licencia de AB Electrolux (publ).

**Compatible con los accesorios FEIN. FEIN es una marca comercial de C. & E. Fein GmbH.

***Compatible con los accesorios DREMEL. DREMEL es una marca comercial de Robert Bosch Tool Corporation.

FUNCIONAMIENTO

El producto se suministra con un adaptador adicional para su uso con otras marcas de corte, raspado, lijado y accesorios. No utilice el adaptador con la última generación de accesorios RYOBI suministrados con la herramienta. Por ejemplo, utilice el adaptador con las letras "R & F" mirando hacia fuera si desea utilizar RYOBI, RIDGID o accesorios de AEG de generación anterior. El adaptador puede ser entregado para su uso con otras marcas de accesorios.

- Proteja las piezas de trabajo con una abrazadera para evitar el movimiento durante el lijado o las operaciones de corte. No sujete con la mano una pieza de trabajo. Un deslizamiento accidental durante el funcionamiento del producto puede causar lesiones personales graves.
- Al hacer un corte por penetración en materiales blandos como la madera y placa de yeso utilizando el accesorio de corte, lleve gradualmente la cuchilla que vibra a la pieza de trabajo. No empuje la cuchilla que vibra con fuerza en el material a cortar. Deje que el producto haga el trabajo y concéntrese en mantener el producto y el accesorio de corte estable en la posición en la que desea realizar el corte.
- Tenga mucho cuidado al cortar los metales no ferrosos. La cuchilla de corte vibrante puede saltar antes de empezar a cortar. Si es necesario, perforo algunos orificios a lo largo de la línea a cortar antes de empezar con los cortes.
- Si los accesorios de corte se atascan en la pieza de trabajo, apague el producto y desconecte de la red eléctrica. Si el accesorio de corte no se puede quitar fácilmente, permita que los accesorios de corte se enfríen adecuadamente antes de soltar el accesorio de corte del producto. Use guantes y use herramientas de mano, tales como alicates y llave, para quitar el accesorio de corte de la pieza de trabajo.

PROTECCIÓN CONTRA SOBRECORRIENTE

Si se detecta sobrecorriente, el producto se apagará automáticamente.

Si el producto deja de funcionar, suelte el gatillo y vuelva a accionarlo. El producto debería iniciar de nuevo su funcionamiento.

MANTENIMIENTO

⚠ ADVERTENCIA

El aparato nunca debe estar conectado a una fuente eléctrica mientras se estén montando las piezas, realizando ajustes, limpiando, llevando a cabo el mantenimiento o cuando no esté en uso. Desconectar el producto de la fuente de suministro evitará que se encienda de manera accidental, lo que podría provocar lesiones graves.

⚠ ADVERTENCIA

En el mantenimiento, utilice sólo piezas de repuesto y accesorios originales del fabricante. El uso de otras piezas puede ocasionar riesgos o daños en el producto.

- Evite el uso de disolventes para limpiar las piezas

de plástico. La mayor parte de los plásticos pueden resultar dañados con los disolventes que se venden en el mercado. Utilice un paño limpio para quitar las impurezas, el polvo, etc.

⚠ ADVERTENCIA

No permita en ningún momento que las piezas de plástico entren en contacto con líquido de frenos, gasolina, productos derivados del petróleo, aceites penetrantes, etc. Los productos químicos pueden dañar, destruir o debilitar el plástico, lo que puede ocasionar graves daños personales.

⚠ ADVERTENCIA

Para una mayor seguridad y fiabilidad, todas las reparaciones deben ser realizadas por un centro de servicio autorizado.

El polvo del yeso y de la pared es abrasivo y puede causar un fallo prematuro del producto si se le permite entrar en la zona del motor. Limpie a fondo el producto después de su uso mediante el uso de un cepillo y una aspiradora. Tenga cuidado para no empujar la suciedad en las aberturas de ventilación. No use aire comprimido para limpiar el producto, ya que el polvo y las impurezas podrían causar graves lesiones en los ojos.

LUBRICACIÓN

Todos los cojinetes de este producto están lubricados con una cantidad suficiente de lubricante de alta calidad para la vida del producto en condiciones normales de funcionamiento. Por lo tanto, no es menester prevenir ninguna lubricación adicional.

SÍMBOLOS



Alerta de seguridad



Corriente directa



Por favor lea las instrucciones detenidamente antes de arrancar la máquina.



Madera - Cortes de inmersión y nivelados



Metales no ferrosos - Cortes de inmersión y nivelados



Plásticos - Cortes de inmersión y nivelados



Para reducir el riesgo de lesión o daño, evite el contacto con cualquier superficie caliente.

No deseche los residuos de baterías, aparatos eléctricos y electrónicos como residuos municipales no clasificados. Los residuos de baterías, aparatos eléctricos y electrónicos se deben recoger de forma independiente.

Los residuos de baterías, acumuladores y fuentes de luz se deben retirar de los aparatos.

Consulte a sus autoridades locales o a su vendedor para obtener información sobre reciclaje y puntos de recogida.

De acuerdo con lo establecido en las normativas locales, los establecimientos minoristas pueden tener la obligación de recuperar los residuos de baterías, aparatos eléctricos y electrónicos de forma gratuita. Su contribución a la hora de reutilizar y reciclar los residuos de baterías y los residuos de aparatos eléctricos y electrónicos ayuda a reducir la demanda de materias primas.

Los residuos de baterías, en especial las que contienen litio, y los residuos de aparatos eléctricos y electrónicos contienen materiales valiosos que se pueden reciclar, y que podrían afectar de forma negativa al medio ambiente y a la salud humana si no se desechan de un modo medioambientalmente responsable.

Si lo hubiera, elimine cualquier dato personal de los residuos de los aparatos.



E' stata data massima priorità a sicurezza, prestazioni e affidabilità nel design di questo multi-utensile.

UTILIZZO

Questo multi-utensile è adatto per essere utilizzato da adulti che hanno letto e compreso le istruzioni e gli avvertimenti nel presente manuale e che possono quindi essere considerati responsabili delle loro azioni.

Questo multi-utensile è stato progettato per essere utilizzato:

- per operazioni di levigatura e rifinitura metalli, legno, plastica o altri materiali simili utilizzando il cuscinetto per la levigatura con i fogli abrasivi forniti
- per operazioni di raschiatura e tagli a tuffo in metalli non ferrosi, legno, plastica, cartongesso, ecc. utilizzando le lame di taglio metalliche fornite
- per forare muri in modo da montare interruttori o prese dell'alimentazione
- per rimuovere lo sporco nelle fughe e nei canali delle mattonelle in ceramica

Il multi-utensile è indicato per funzionare in interni, in condizioni asciutte, ben illuminate e adeguatamente ventilate.

Prodotto non adatto ad essere utilizzato su materiali e superfici bagnate.

Non utilizzare il prodotto in modi diversi da quelli indicati.

⚠ AVVERTENZE

Leggere attentamente tutte le avvertenze, le istruzioni e le specifiche fornite con l'apparecchio e fare riferimento alle illustrazioni. La mancata osservanza delle istruzioni riportate di seguito potrebbe provocare incidenti quali incendi, scosse elettriche e/o gravi lesioni fisiche.

Conservare tutte le istruzioni e le avvertenze per eventuali riferimenti futuri.

AVVERTENZE DI SICUREZZA MULTI-UTENSILE

- **Reggere l'utensile dalle superfici isolate quando si svolge un'operazione nella quale le lame potrebbero toccare dei cavi nascosti.** Se la lama taglia un cavo "vivo" le parti esposte dell'elettrotensile potrebbero fare da conduttore e causare scosse elettriche.
- Indossare sempre occhiali di sicurezza mentre si mette in funzione l'utensile. Indossare una maschera antipolvere se si prevede di lavorare in ambienti dove si produce polvere.

⚠ AVVERTENZE

La polvere di alcune vernici, rivestimenti e materiali potrà causare irritazioni o reazioni allergiche al sistema respiratorio. La polvere prodotta da legno come quercia, betulla, pannelli di fibra a media densità (MDF) e altri tipi di legname è cancerogena. Lasciare che solo professionisti qualificati utilizzino il prodotto su materiali che contengono amianto.

⚠ AVVERTENZE

Non collegare il prodotto a una presa dell'alimentazione quando si montano parti, svolgono operazioni di regolazione, pulizia, manutenzione, o quando il prodotto non è in uso. Scollegando il prodotto dall'alimentazione se ne previene l'avviamento accidentale che potrebbe causare lesioni gravi.

- Quando si lavora su pareti, soffitti o pavimenti, evitare cavi elettrici o tubi del gas o dell'acqua.

⚠ AVVERTENZE

Gli accessori metallici potranno surriscaldarsi durante l'utilizzo causando scottature se entrano in contatto con l'operatore. Indossare guanti quando si cambiano gli accessori.

Fare attenzione quando si appoggia l'utensile tra un'operazione e l'altra per prevenire danni o lesioni.

- Non utilizzare accessori di taglio danneggiati, rotti o non assicurati correttamente al prodotto.
- Il prodotto genera delle vibrazioni che spostano l'accessorio. Tali vibrazioni possono causare disagio se il prodotto viene utilizzato per lunghi periodi di tempo. Fare spesso una pausa, soprattutto se si prova disagio in braccia, polsi o dita. Scegliere una impostazione di velocità che permetterà di completare il lavoro efficientemente. Leggere le sezioni Rischi Residui e Riduzione del Rischio per ulteriori informazioni su lesioni legate alle vibrazioni.
- **Agganciare il pezzo sul quale si sta lavorando con un morsetto.** Pezzi non assicurati correttamente potranno causare gravi lesioni e danni. Non reggere il materiale sul quale si sta lavorando con le mani.
- **Il foglio di carta abrasiva non deve essere troppo grande.** Se la carta abrasiva fuoriesce dal pattino, ci si espone a rischi di gravi ferite.
- Indossare sempre occhiali di sicurezza ed una maschera antipolvere quando si leviga, ed in particolare quando si tiene la levigatrice al di sopra del capo.
- Indossare una maschera antipolvere adeguata quando si levigano superfici ricoperte di pittura al piombo nonché alcuni tipi di legno o di metallo, al fine di non inalare polveri o vapori tossici.
- La polvere prodotta durante l'uso del prodotto può essere dannosa per la salute dell'operatore e dei passanti. Né l'operatore né i passanti dovranno inalare la polvere. Indossare una maschera antipolvere adeguata.
- Non lavorare i materiali che sono dannosi per la salute (ad es. asbesto).
- L'intervallo della temperatura ambiente per l'utensile durante l'azionamento rientra tra 0° C e 40° C.
- L'intervallo della temperatura ambiente per la conservazione dell'utensile rientra tra 0° C e 40° C.
- L'intervallo della temperatura ambiente raccomandato per il sistema di carica durante la carica rientra tra 10° C e 38° C.

AVVERTENZE AGGIUNTIVE PER LA SICUREZZA DELLA BATTERIA**⚠ AVVERTENZE**

Per ridurre il rischio d'incendio, di lesioni o di danni al prodotto causati da corto circuito, non immergere mai l'utensile, la batteria ricaricabile o la carica batterie in un liquido e non lasciare mai penetrare alcun liquido all'interno dei dispositivi e delle batterie. I fluidi corrosivi o conduttori come acqua salata, alcuni agenti chimici, agenti candeggianti o prodotti contenenti agenti candeggianti potrebbero provocare un corto circuito.

- L'intervallo della temperatura ambiente per la batteria durante l'utilizzo rientra tra 0° C e 40° C.
- L'intervallo della temperatura ambiente per la conservazione della batteria rientra tra 0° C e 20° C.

TRASPORTARE BATTERIE AL LITIO

Trasportare la batteria secondo quando indicato dalle norme e regolamentazioni locali e nazionali.

Seguire tutte le istruzioni speciali riportate sulla scatola e sull'etichetta quando si fanno trasportare batterie da eventuali terzi. Assicurarsi che le batterie non entrino in contatto con altre batterie o materiali conduttivi durante il trasporto proteggendo i connettori esposti con tappi isolanti, non conduttivi o nastro adesivo. Non trasportare batterie rotte o che perdono liquidi. Rivolgersi alla ditta distributrice per ulteriori consigli.

RISCHI RESIDUI

Anche quando il prodotto viene utilizzato come indicato, sarà ancora impossibile eliminare completamente alcuni fattori di rischio residuo. Si potranno verificare i seguenti rischi e l'operatore dovrà prestare particolare attenzione per evitare quanto segue:

- Lesioni causate dalla polvere
 - Indossare sempre protezioni per gli occhi.
 - Indossare maschere di protezione contenenti filtri adeguati ai materiali che si stanno manipolando. Assicurarsi una adeguata ventilazione del luogo di lavoro.
 - Non mangiare, bere, né fumare nell'area di lavoro.
- lesioni causate da rumore e vibrazioni
 - Indossare cuffie di protezione
 - Non mettere in funzione il prodotto per lunghi periodi di tempo. Vedere "Riduzione Rischio".
- Rischio di scosse elettriche nel caso in cui i cavi elettrici vengano tagliati
 - Reggere sempre il prodotto dagli appositi manici. Non toccare le lame di taglio o le parti in metallo del prodotto.

RIDUZIONE DEL RISCHIO

E' stato fatto presente che le vibrazioni da utensili a mano potrebbero contribuire a una condizione chiamata Sindrome di Raynaud in alcuni individui. I sintomi, comprendenti formicolio, intorpidimento e perdita di colore alle dita, si verificano di solito quando ci si espone al freddo. Fattori

ereditari, esposizione a freddo e umidità, una dieta scorretta, fumo e condizioni di lavoro non sicure potranno contribuire allo sviluppo di questi sintomi. È possibile prendere delle precauzioni per ridurre le vibrazioni:

- Tenere il corpo al caldo a basse temperature. Quando si utilizza l'utensile, indossare guanti e tenere le mani e i polsi caldi. Le basse temperature contribuiscono a causare la Sindrome di Raynaud.
- Dopo aver utilizzato l'utensile per un certo periodo, fare degli esercizi per stimolare la circolazione del sangue.
- Fare spesso delle pause. Limitare la quantità di esposizione giornaliera.

Nel caso in cui si provino i sintomi di questa condizione, interrompere immediatamente l'utilizzo dell'utensile e consultare un dottore.

⚠ AVVERTENZE

L'utilizzo prolungato dell'utensile potrà causare o aggravare lesioni già esistenti. Quando si utilizza questo utensile per periodi di tempo prolungati, assicurarsi di fare sempre delle pause regolari.

FAMILIARIZZARE CON IL PRODOTTO

Vedere a pagina 93.

1. Morsetto lama
2. Blocco lama / leva di rilascio
3. Tasto di rilascio regolazione angolo testina
4. Controllo della velocità
5. Interruttore On/Off (Acceso/Spento)
6. Blocco interruttore
7. Lama di taglio a tuffo
8. 88-mm Flush cut blade
9. Patin
10. Carta vetrata
11. Adattatore */**
12. Porta batterie
13. Impugnatura con superficie isolata antiscivolo

*Compatibile con le precedenti versioni degli accessori RYOBI, RIDGID o AEG. RYOBI è un marchio commerciale usato su licenza di Ryobi Limited. RIDGID è un marchio commerciale di Emerson Electric Co. AEG è un marchio commerciale registrato usato su licenza di AB ElectroLux (pubbl).

*Compatibile gli accessori FEIN. FEIN è un marchio commerciale di C. & E. Fein GmbH.

**Compatibile gli accessori DREMEL. DREMEL è un marchio commerciale di Robert Bosch Tool Corporation.

FUNZIONAMENTO

Il prodotto è fornito con un ulteriore adattatore che permette di utilizzarlo con altre marche di accessori da taglio, raschiatura, levigatura. Non utilizzare l'adattatore con la più recente generazione di accessori RYOBI fornita con l'utensile. Per esempio, utilizzare l'adattatore con le lettere "R&F" rivolte verso l'esterno se si desidera utilizzare la precedente generazione di accessori RYOBI, RIDGID o AEG. L'adattatore potrà dover essere capovolto per essere utilizzato con altre marche di accessori.

- Assicurare i pezzi sui quali si deve lavorare con un morsetto per evitare che si spostino durante le

operazioni di levigatura o taglio. Non reggere mai il pezzo da tagliare con le mani. Si potranno verificare gravi lesioni alla persona nel caso in cui l'operatore scivoli inavvertitamente mentre utilizza il prodotto.

- Quando si realizza un taglio a tuffo in materiali morbidi come legno e intonaco utilizzando accessori di taglio, portare la lama vibrante gradualmente verso il pezzo sul quale si sta lavorando. Non forzare una lama che vibra nel materiale da tagliare. Lascia il lavoro al prodotto e concentrati sul mantenere il prodotto stesso e l'accessorio di taglio stabili nella posizione desiderata per il taglio.
- Fare ulteriore attenzione quando si tagliano metalli non ferrosi. La lama di taglio vibrante potrà scivolare prima di aver avviato le operazioni di taglio. Se necessario, prima di iniziare a tagliare pratica dei fori lungo la linea di taglio.
- Nel caso in cui gli accessori di taglio rimangano incastrati nel pezzo sul quale si sta lavorando, spegnere il prodotto e scollegarlo dall'alimentazione. Nel caso in cui non sia possibile rimuovere facilmente l'accessorio di taglio, lasciare che gli accessori di taglio si raffreddino adeguatamente prima di rilasciare l'accessorio di taglio dal prodotto. Indossare guanti ed utensili a mano come tenaglie e chiavi per rimuovere l'accessorio di taglio dal pezzo sul quale si sta lavorando.
- Protezione dalle sovracorrenti
- Quando viene rilevata una sovracorrente, il prodotto si spegne automaticamente.
- Se il prodotto smette di funzionare, rilasciare il grilletto e poi premerlo nuovamente.
- Il prodotto dovrebbe ricominciare a funzionare.

MANUTENZIONE

⚠ AVVERTENZE

Questo prodotto non dovrà mai essere collegato all'alimentazione mentre si montano le sue parti, svolgono regolazioni, operazioni di pulizia e manutenzione o quando il prodotto non viene utilizzato. Scollegando il prodotto dall'alimentazione se ne previene l'avviamento accidentale che potrebbe causare lesioni gravi.

⚠ AVVERTENZE

Durante le operazioni di manutenzione, utilizzare solo le parti di ricambio, gli accessori e le parti di collegamento della ditta produttrice originale. Utilizzare parti di ricambio diverse potrebbe causare rischi o danneggiare il prodotto.

- Evitare di utilizzare solventi quando si puliscono le parti in plastica. La maggior parte dei materiali plastici rischia di essere danneggiata dall'uso dei solventi disponibili in commercio. Utilizzare un panno pulito per rimuovere lo sporco, la polvere, ecc.

⚠ AVVERTENZE

Non lasciare che liquidi per freni, benzina, prodotti a base di petrolio, oli penetranti, ecc, entrino in contatto con le parti in plastica. Le sostanze chimiche potranno danneggiare, indebolire o distruggere la plastica, il che potrà risultare in gravi lesioni personali.

⚠ AVVERTENZE

Per maggiore sicurezza e affidabilità, tutte le riparazioni dovranno essere svolte da un centro servizi autorizzato.

La polvere prodotta da cartongesso e pannelli è abrasiva e potrà non far funzionare il prodotto correttamente nel caso in cui riuscirà a entrare nella zona del motore. Pulire attentamente il prodotto dopo l'utilizzo con una spazzola e un aspirapolvere. Non spingere lo sporco nelle griglie di ventilazione. Non utilizzare aria compressa per pulire il prodotto dal momento che polvere e granelli di sabbia potranno causare gravi lesioni agli occhi.

LUBRIFICAZIONE

Tutti i cuscinetti in questo prodotto sono stati lubrificati con una quantità di lubrificante ad alto indice di viscosità per tutta la durata del prodotto nelle normali condizioni di funzionamento. Di conseguenza, non è necessario effettuare alcuna lubrificazione supplementare.

SIMBOLI



Indicazioni sicurezza



Corrente diretta



Leggere attentamente le istruzioni prima di avviare l'utensile.



Legno - Tagli a tuffo e a filo



Metallo non ferroso - Tagli a tuffo e a filo



Plastica - Tagli a tuffo e a filo



Per diminuire il rischio di lesioni o danni, evitare il contatto con qualsiasi superficie calda.

Non smaltire le batterie scariche e altre apparecchiature elettriche ed elettroniche come normali rifiuti.

Le batterie scariche e i dispositivi elettrici ed elettronici dovranno essere raccolti separatamente.

Le batterie usate, gli accumulatori e le fonti luminose non più utilizzabili dovranno essere rimossi dall'apparecchiatura.

Consultare l'autorità locale o il rivenditore per consigli sullo smaltimento e il punto di raccolta.



In base alle normative locali i rivenditori potrebbero avere l'obbligo di riprendersi le batterie usate e le apparecchiature elettriche ed elettroniche gratuitamente.

Il vostro contributo al riciclaggio delle batterie e delle apparecchiature elettriche ed elettroniche aiuta a ridurre la richiesta di materie prime.

Le batterie usate, in particolare quelle che contengono litio e le apparecchiature elettriche ed elettroniche contengono materiali preziosi e riciclabili che potrebbero avere un impatto avverso sull'ambiente e la salute umana, se non smaltiti in un modo ecocompatibile.

Eliminare i dati personali, se presenti, dalle apparecchiature da buttare.

Veiligheid, prestaties en betrouwbaarheid kregen topprioriteit in het ontwerp van uw multitool.

BEOOGD GEBRUIK

Het multitool is uitsluitend geschikt om te worden gebruikt door volwassenen die de instructies en waarschuwingen in deze gebruiksaanwijzing hebben gelezen en begrepen en die als verantwoordelijk voor hun handelingen kunnen worden beschouwd.

Het multitool is ontworpen om als volgt te worden gebruikt:

- voor het schuren en afwerken van metaal, hout, kunststof of gelijkaardige materialen door middel van het schuurpad met de meegeleverde bladen schuurpapier.
- voor het afschrappen en insteken in non-ferrometaal, hout, kunststof, gipsplaat, etc. met de meegeleverde metalen snijbladen
- voor het boren van gaten in muren om schakelaars of contactdozen te installeren
- voor het verwijderen van voegmortel tussen de keramische tegels

Het multitool is ontworpen voor binnenshuis gebruik in droge, goed verlichte en verluchte omstandigheden.

Het product is niet bedoeld voor gebruik op natte materialen en oppervlakken.

Gebruik het product niet voor andere doeleinden dan waarvoor het is bestemd.

⚠ WAARSCHUWING

Lees aandachtig alle waarschuwingen, aanwijzingen en specificaties die bij deze machine worden meegeleverd en bestudeer de afbeeldingen. Als u onderstaande voorschriften niet opvolgt, kan dit leiden tot ongelukken zoals brand, elektrische schokken en/of ernstig lichamelijk letsel.

Bewaar alle waarschuwingen en instructies voor toekomstig gebruik.

VEILIGHEIDSWAARSCHUWINGEN MULTITOOL

- **Houd de machine aan de geïsoleerde handvatten vast wanneer u werkt op plaatsen waar de accessoire een verborgen snoer kan raken.** Wanneer de accessoire een spanningvoerende leiding raakt, kunnen de blootgestelde onderdelen van de machine onder spanning komen waardoor de gebruiker wordt geëlectrocuteerd.
- **Draag altijd gezichtsbescherming terwijl u het apparaat gebruikt.** Draag een stofmasker wanneer stof wordt geproduceerd.

⚠ WAARSCHUWING

Stof van bepaalde verven, coatings of materialen kunnen irritatie of allergische reacties aan de ademhalingswegen veroorzaken. Stof van hout, zoals eik, beuk, MDF en anderen zijn kankerverwekkend. Alleen gekwalificeerde specialisten mogen het product gebruiken met asbesthoudende materialen.

⚠ WAARSCHUWING

Het product mag nooit met de stroomtoevoer worden verbonden als u onderdelen monteert, de machine afstelt, reinigt, onderhoudswerken uitvoert of als het product niet wordt gebruikt. Door het product los te koppelen van de stroomtoevoer voorkomt u incidenteel opstarten, wat ernstig letsel kan veroorzaken.

- **Wanneer u werkt in muren, plafonds of vloeren, moet u voorzichtig zijn om elektrische kabels en gas- of waterleidingen te vermijden.**

⚠ WAARSCHUWING

Metalen accessoires worden warm tijdens gebruik, wat kan leiden tot brandwonden indien de bediener ermee in contact komt. Draag handschoenen bij het vervangen van accessoires.

Wees voorzichtig wanneer u het apparaat neerzet tussen handelingen om schade of verwondingen te voorkomen.

- **Gebruik geen zaagaccessoires die beschadigd of gebarsten zijn of niet veilig in het product passen.**
- **Het product creëert trillingen die het accessoire bewegen.** De trillingen kunnen ongemak veroorzaken als het product voor langere tijd wordt gebruikt. Neem regelmatig een pauze, zeker als u pijn voelt in de arm, pols of vingers. Kies een snelheidsinstelling die het werk op een efficiënte manier kan uitvoeren. Lees de hoofdstukken met betrekking tot restrisico's en risicovermindering voor meer informatie met betrekking tot letsels veroorzaakt door trillingen.
- **Klem het werkstuk met een klem vast.** Werkstukken die niet zijn vastgeklemd kunnen ernstige letsels en schade veroorzaken. Houd het materiaal dat u schuurt niet met de hand vast.
- **Het vel schuurpapier mag niet te groot zijn.** Als u het schuurpapier over de randen van de schuurvoet laat uitsteken, stelt u zich bloot aan het gevaar voor lichamelijk letsel.
- **Draag altijd een veiligheidsbril en een stofmasker tijdens het schuren, vooral wanneer u de schuurmachine boven uw hoofd houdt.**
- **Draag een geschikt stofmasker tijdens het schuren van oppervlakken bedekt met verf op loodbasis en bij het schuren van bepaalde houtsoorten en metalen om te voorkomen dat u giftige stoffen of giftige dampen inademt.**
- **De stof die bij het gebruik van het product vrijkomt, kan een gevaar vormen voor de gezondheid van de operator en omstanders.** De operator en omstanders dienen de stof niet aan te raken of in te ademen. Draag een geschikt stofmasker.
- **Bewerk geen materialen die een gevaar vormen voor de gezondheid (zoals asbest).**
- **Toegestane omgevingstemperatuur voor het gereedschap tijdens gebruik ligt tussen 0°C en 40°C.**
- **Toegestane omgevingstemperatuur voor het gereedschap bij opslag ligt tussen 0°C en 40°C.**
- **De aanbevolen omgevingstemperatuur voor het laadsysteem tijdens het laden ligt tussen 10°C en 38°C.**

EXTRA WAARSCHUWINGEN BATTERIJVEILIGHEID

⚠ WAARSCHUWING

Voorkom brand, persoonlijk letsel of materiële schade door kortsluiting en dompel het gereedschap, de wisselaccu en het laadtoestel niet onder in vloeistoffen en waarborg dat geen vloeistoffen in de apparaten en accu's kunnen dringen. Corrosieve of geleidende vloeistoffen zoals zout water, bepaalde chemicaliën, bleekmiddelen of producten die bleekmiddelen bevatten, kunnen een kortsluiting veroorzaken.

- Toegestane omgevingstemperatuur voor de accu tijdens gebruik ligt tussen 0°C en 40°C.
- Toegestane omgevingstemperatuur voor opslag van de accu ligt tussen 0°C en 20°C.

VERVOEREN VAN LITHIUM BATTERIJEN

Vervoer de accu in overeenstemming met de plaatselijke en nationale voorzieningen en regelgevingen.

Respecteer alle speciale voorwaarden op de verpakking en etikettering wanneer u de accu's door derden laat transporteren. Zorg ervoor dat de accu's tijdens het transport niet in contact komen met andere batterijen of geleidende materialen door blootliggende connectoren met isolerende, niet-geleidende doppen of plakband te beschermen. Geen gekraakte of lekkende accu's vervoeren. Controleer bij het doorsturende bedrijf voor verder advies.

RESTRISICO'S

Zelfs wanneer het product zoals voorgeschreven wordt gebruikt, blijft het onmogelijk om alle restrisico's te voorkomen. De volgende gevaren kunnen optreden bij gebruik en de gebruiker dient speciaal op te letten op het volgende te voorkomen:

- Verwonding veroorzaakt door stof
 - Draag altijd gezichtsbescherming.
 - Draag ademhalingsbeschermingsmaskers met filters die aangepast zijn aan het materiaal waarmee wordt gewerkt. Zorg voor voldoende ventilatie op de werkplaats.
 - Eten, drinken of roken verboden in het werkgebied.
- Verwondingen veroorzaakt door geluid en trilling
 - Draag gehoorbescherming
 - Gebruik dit product niet voor een lange periode. Zie "Risico's Beperken".
- Risico op elektrocutie als elektrische kabels worden doorknipt.
 - Houd het product altijd aan de voorgeschreven handvatten vast. Raak de zaagbladen of metalen onderdelen van het product niet aan.

RISICOBEPERKING

Vibraties van handgereedschap kan in bepaalde individuele gevallen leiden tot het syndroom van Raynaud. Symptomen kunnen ondermeer tintelingen, gevoelloosheid en bleek worden van de vingers omvatten, wat normaal gezien duidelijk wordt bij blootstelling aan koude. Erfelijke factoren,

blootstelling aan koude en vocht, dieet, roken en werkroutine kunnen allemaal bijdragen tot de ontwikkeling van deze symptomen. Er kunnen door de bediener maatregelen worden genomen om de gevolgen van de trillingen te beperken:

- Houd bij koud weer uw lichaam warm. Draag handschoenen wanneer u de machine gebruikt om handen en polsen warm te houden. Men neemt aan dat koud weer een belangrijke factor is die bijdraagt tot het Syndroom van Raynaud.
- Doe oefeningen om de bloeddoorstroming te bevorderen na elke periode van gebruik.
- Neem regelmatig een pauze. Beperk het aantal uren dat u per dag wordt blootgesteld.

Wanneer u enige van de symptomen van deze aandoening ervaart, stop dan onmiddellijk met het gebruik van het toestel en raadpleeg uw dokter

⚠ WAARSCHUWING

Letsels kunnen optreden of verergeren door langdurig gebruik van een gereedschap. Als u een werktuig gedurende langere periodes gebruikt, neem dan regelmatig pauze.

KEN UW PRODUCT

Zie pagina 93.

1. Bladklem
2. Bladvergrenseling- / ontgrenselingshendel
3. Ontgrenselknop kophoekafstelling
4. Snelheidsregeling
5. Aan-/uitschakelaar
6. Vergrenselingschakelaar
7. Invalzaag
8. Lama per tagli in linea da 88 mm
9. Schuurvoet
10. Zandpapier
11. Adapter */**
12. Accupoort
13. Hendel, geïsoleerd grijpoppervlak

*Compatibel met eerdere earlier generaties van RYOBI-, RIDGID- en AEG-accessoires. RYOBI is een handelsmerk van Ryobi Limited en wordt onder licentie gebruikt. RIDGID is een handelsmerk van Emerson Electric Co. AEG is een gedeponeerd handelsmerk van AB Electrolux (publ) en wordt onder licentie gebruikt.

*Compatibel met accessoires van FEIN . FEIN is een handelsmerk van C. & E. Fein GmbH.

**Compatibel met accessoires van DREMEL . DREMEL is een handelsmerk van Robert Bosch Tool Corporation.

BEDIENING

Het product wordt met een bijkomende adapter geleverd voor gebruik met zaag-, schraap- en schuuraccessoires van andere merken. Gebruik de adapter niet met de laatste generatie RYOBI-accessoires die met uw werktuig worden meegeleverd. Gebruik bijvoorbeeld de adapter met de letters "R&F" naar de buitenkant gericht als u de oudere generatie RYOBI-, RIDGID- of AEG-accessoires wilt gebruiken. De adapter kan worden omgekeerd om met andere accessoiremerken te worden gebruikt.

- Maak werkstukken vast met een klem om te voorkomen dat ze tijdens het schuren af zagen bewegen. Houd een werkstuk nooit met de hand vast. Een ongewilde slip tijdens het gebruik van het product kan leiden tot ernstige verwondingen.
- Wanneer u met het zaagaccessoire een insteek maakt in zacht materiaal, zoals hout en gipsplaat, breng dan het trilblad geleidelijk in het werkstuk. Duw het trilblad niet te hard in het materiaal dat moet worden gezaagd. Laat het product het werk doen en richt u op het stabiel houden van het product en de zaagaccessoire in stand waarin u de snede wilt maken.
- Wees extra voorzichtig bij het zagen in non-ferrometalen. Het trillende zaagblad kan doorslaan voor u begint te zagen. Boor indien nodig enkele gaten langs de zaaglijn voordat u begint met zagen.
- Als het zaagaccessoire klem raakt in het werkstuk, schakelt u het product uit en ontkoppelt u het van de stroombron. Als het zaagaccessoire niet makkelijk kan worden verwijderd, laat u het voldoende afkoelen voor u het van het product verwijdert. Draag handschoenen en gebruik handgereedschap, zoals een tang of sleutel om het zaagaccessoire uit het werkstuk te verwijderen.

OVERSTROOMBEVEILIGING

Wanneer overstroom wordt waargenomen, schakelt het apparaat automatisch uit.

Als het product ophoudt met werken, laat de hendel dan los en activeer deze dan opnieuw. Als het goed is, begint het product dan weer te werken.

ONDERHOUD

⚠ WAARSCHUWING

Het product mag nooit worden aangesloten op de netvoeding bij het aansluiten van onderdelen, maken van afstellingen, schoonmaken, uitvoeren van onderhoud of als het product niet wordt gebruikt. Door het product los te koppelen van de stroomtoevoer voorkomt u incidenteel opstarten, wat ernstig letsel kan veroorzaken.

⚠ WAARSCHUWING

Gebruik bij het onderhoud uitsluitend de originele reserveonderdelen, accessoires en bijzetstukken van de fabrikant. Gebruik van niet originele onderdelen kan gevaar opleveren of schade aan de machine veroorzaken.

- Voorkom het gebruik van oplosmiddelen wanneer u kunststof onderdelen reinigt. De meeste kunststoffen kunnen worden beschadigd door de in de handel zijnde oplosmiddelen. Gebruik een schone doek om vuil of stof te verwijderen.

⚠ WAARSCHUWING

Remvloeistof, benzine, producten op basis van petroleum, kruipolie, enz mogen nooit in contact komen met kunststof onderdelen. Chemicaliën kunnen kunststof beschadigen, verzwakken of verwoesten, wat kan leiden tot ernstig letsel.

⚠ WAARSCHUWING

Alle reparaties moeten worden uitgevoerd door een Erkend Servicecentrum teneinde de veilige en betrouwbare werking van de machine te garanderen.

Het stof van gips of gipsplaat is hard en kan tot een defect van het product leiden als het in de motor van het product raakt. Reinig het product grondig na gebruik met behulp van een borstel en stofzuiger. Wees voorzichtig om het vuil niet in de ventilatieopeningen te duwen. Geen perslucht gebruiken om het product schoon te maken aangezien stof en grind ernstige oogletsels kunnen veroorzaken.

SMERING

Alle lagers in het product zijn gesmeerd met voldoende kwalitatief smeermiddel voor de gehele levensduur van het product bij normale gebruiksomstandigheden. Extra smering is daarom niet noodzakelijk.

SYMBOLEN



Veiligheidswaarschuwing



Gelijkstroom



Lees de instructies zorgvuldig voordat u de machine in gebruik neemt.



Hout - Inval- en vlaksneden



Niet-ijzerhoudend metaal - Inval- en vlaksneden



Kunststoffen - Inval- en vlaksneden



Vermijd contact met alle hete oppervlakken om het risico op letsel of schade te beperken.

Gooi afgedankte elektrische en elektronische apparatuur niet weg als ongesorteerd gemeentelijk afval.

Afgedankte elektrische en elektronische apparatuur moet afzonderlijk worden ingezameld.

Afvalbatterijen, afvalaccu's en lichtbronnen moeten uit de apparatuur worden verwijderd. Neem contact op met uw gemeente of winkelier voor advies over recycling en het inzamelpunt.

Volgens de plaatselijke voorschriften kunnen winkeliers verplicht zijn afgedankte elektrische en elektronische apparatuur kosteloos terug te nemen.

Uw bijdrage aan hergebruik en recycling van afgedankte batterijen en afgedankte elektrische en elektronische apparatuur helpt de vraag naar grondstoffen te verminderen. Afgedankte batterijen, in het bijzonder deze die lithium bevatten, en afgedankte elektrische en elektronische apparatuur bevatten waardevolle en recycleerbare materialen, die een negatief effect kunnen hebben op het milieu en de volksgezondheid, indien ze niet op een milieuvriendelijke manier worden verwijderd.

Verwijder eventuele persoonlijke gegevens van afgedankte apparatuur.



Segurança, desempenho e fiabilidade foram as prioridades na concepção da sua multi-ferramenta.

UTILIZAÇÃO PREVISTA

Esta multi-ferramenta foi desenhada para ser utilizada por adultos que tenham lido e compreendido as instruções e avisos recolhidos neste manual e que possam ser considerados responsáveis das suas ações.

A multi-ferramenta destina-se a ser utilizada:

- para lixar e acabar de metal, madeira, plástico, ou materiais semelhantes utilizando o prato de lixar com as folhas abrasivas moldadas fornecidas
- para raspagem e chanfragem em metais não ferrosos, madeira, plástico, gesso, etc. usando as lâminas de corte metálicas fornecidas
- para cortar buracos em paredes para acomodar interruptores ou tomadas de energia
- para a remoção de argamassa entre ladrilhos cerâmicos

A multi-ferramenta destina-se a ser operada em interiores em condições secas, bem iluminadas e adequadamente ventiladas.

O produto não se destina a ser usado em superfícies e materiais molhados.

Utilize o produto exclusivamente para o uso para o qual foi concebido.

⚠ AVISO

Leia com atenção todas as advertências, instruções e especificações fornecidas com a ferramenta, e consulte as ilustrações. O incumprimento das instruções seguintes pode ocasionar acidentes como incêndios, choques eléctricos e/ou ferimentos graves.

Guarde todos os avisos e instruções para futuras consultas.

AVISOS DE SEGURANÇA MULTI-FERRAMENTA

- **Segure a ferramenta eléctrica pelas superfícies de pega isoladas, ao realizar uma operação em que o acessório possa entrar em contacto com fios eléctricos escondidos.** O acessório de corte que entre em contacto com um fio “ligado” pode tornar as peças de metal da ferramenta eléctrica condutivas e tal pode causar um choque eléctrico ao operador.
- Use sempre óculos de segurança durante ao utilizar a ferramenta. Use uma máscara de pó quando produzir pó.

⚠ AVISO

O pó de certas pinturas, revestimentos e materiais pode causar irritação ou reações alérgicas no sistema respiratório. O pó de madeira como o carvalho, a faia, o MDF e outros é cancerígeno. Apenas especialistas qualificados devem utilizar o produto sobre materiais que contenham amianto.

⚠ AVISO

O produto nunca deve estar conectado a uma fonte de alimentação enquanto está a montar peças, fazer ajustes, limpar, realizar a manutenção, ou quando o aparelho não está a ser usado. Desligar o produto da fonte de alimentação eléctrica irá impedir o arranque acidental que poderia causar ferimentos graves.

- Quando trabalhar em paredes, tetos ou pisos, tome cuidado para evitar cabos eléctricos e tubos de gás ou água.

⚠ AVISO

Os acessórios metálicos ficam quentes durante a utilização e pode resultar em queimaduras na pele se contactar o operador. Use luvas quando trocar de acessórios.

Tome cuidado ao configurar a ferramenta para baixo entre as operações para evitar danos ou ferimentos.

- Não use acessórios que estão danificados, rachados ou não se encaixam de forma segura no produto de corte.
- O produto gera vibrações que fazem mover o acessório. As vibrações podem causar desconforto se o produto for utilizado por períodos de tempo prolongados. Se sentir desconforto no braço, no pulso ou nos dedos, faça pausas frequentes para descanso. Escolha uma configuração de velocidade que vai terminar o trabalho de forma eficiente. Leia as seções de riscos residuais e de redução de riscos para mais informações sobre lesões relacionadas com a vibração.
- **Fixe a peça de trabalho com um dispositivo de fixação.** As peças de trabalho mal presas podem causar danos e lesões graves. Não segure o material que estiver a lixar com a mão.
- **A folha de lixa não deve ser grande demais.** Se deixar a folha de lixa ultrapassar o prato, fica exposto a ferimentos graves.
- Use sempre óculos de segurança e uma máscara anti-poeira durante as operações de lixar, em particular quando segura a lixadeira por cima da cabeça.
- Deve usar uma máscara anti-pó adequada quando lixar superfícies revestidas com tinta à base de chumbo assim como certas madeiras e metais, para evitar inalar poeiras ou vapores tóxicos.
- O pó produzido ao utilizar o produto pode ser nocivo para a saúde do operador e terceiros. O operador e terceiros não devem tocar nem inalar o pó. Use uma Wear a suitable dust protection mask.
- Não manipule quaisquer materiais que sejam prejudiciais para a saúde (por exemplo, amianto).
- A amplitude de temperatura ambiente para a ferramenta durante o funcionamento é entre 0 °C e 40 °C.
- A amplitude de temperatura ambiente para a ferramenta em armazenamento é entre 0 °C e 40 °C.
- A amplitude de temperatura ambiente recomendada para o sistema de carregamento durante o carregamento é entre 10 °C e 38 °C.

AVISOS DE SEGURANÇA ADICIONAIS DAS BATERIAS**⚠ AVISO**

Para evitar o risco de incêndio, de feridas ou de danificação do produto causado por um curto-circuito, não imerja a bateria intercambiável ou o carregador em líquidos e assegure-se de que líquidos não penetrem nos aparelhos ou nas baterias. Líquidos corrosivos ou condutivos como água salgada, determinadas substâncias químicas ou produtos que contenham branqueadores podem causar um curto-circuito.

- A amplitude de temperatura ambiente para a bateria durante a utilização é entre 0 °C e 40 °C.
- A amplitude de temperatura ambiente para a bateria em armazenamento é entre 0 °C e 20 °C.

TRANSPORTE DE BATERIAS DE LÍTIU

Transporte a bateria em conformidade com as disposições e os regulamentos locais e nacionais.

Respeite os requisitos especiais que existam na embalagem e a etiquetagem durante o transporte de baterias por terceiros. Assegure-se que não há risco de uma bateria entrar em contacto com outra bateria nem com materiais condutores durante o transporte, protegendo os conectores expostos com tampas ou fita isoladoras e não condutoras. Não transporte baterias com fissuras ou fugas. Contacte a empresa transitária para mais aconselhamento.

RISCOS RESIDUAIS

Mesmo quando se utiliza o produto segundo as instruções, continua a ser impossível eliminar por completo certos fatores de risco residuais. Podem surgir os seguintes riscos durante o uso e o operador deve prestar especial atenção para evitar o seguinte:

- Prejuízo causado pela poeira
 - Use sempre proteção para os olhos.
 - Use máscaras protetoras com filtros adequados para os materiais com que vai trabalhar. Assegure uma ventilação adequada do local de trabalho.
 - Não coma, beba ou fume na área de trabalho.
- Lesões causadas pelo ruído e a vibração
 - Use proteção para os ouvidos
 - Não utilize o produto durante longos períodos de tempo. Consulte o ponto "Redução De Riscos".
- Risco de electrocução se os cabos elétricos forem cortadas
 - Segure sempre o produto pelas pegadas designadas. Não toque nas lâminas de corte ou nas partes metálicas do produto.

REDUÇÃO DO RISCO

Informou-se que as vibrações das ferramentas manuais podem contribuir para uma doença chamada síndrome de Raynaud em certos indivíduos. Os sintomas podem incluir formigueiro, entorpecimento e empalidezimento dos dedos, habitualmente visível aquando da exposição ao frio. Estima-se que os fatores hereditários, exposição ao frio e humidade, dieta, tabagismo e práticas de trabalho contribuem todos para o desenvolvimento destes sintomas. Existem medidas que podem ser tomadas pelo operador para possivelmente reduzir os efeitos da vibração:

- Mantenha o seu corpo quente durante o tempo frio. Ao operar a unidade, use luvas para manter as mãos e os pulsos quentes. Encontra-se reportado que o tempo frio é um grande fator que contribui para o Síndrome de Raynaud.
- Após cada período de operação, exercite para aumentar a circulação sanguínea.
- Faça pausas frequentes no trabalho. Limite o tempo de exposição por dia.

Caso sinta algum dos sintomas desta doença, interrompa de imediato a sua utilização e consulte o seu médico sobre estes sintomas.

⚠ AVISO

As lesões podem ser causadas ou agravadas pelo uso prolongado de uma ferramenta. Ao usar qualquer ferramenta durante períodos prolongados, assegure-se que faz intervalos regulares.

CONHEÇA O SEU PRODUTO

Consulte a página 93.

1. Braçadeira de lâmina
2. Bloqueio Lâmina / Alavanca de libertação
3. Cabeça de ângulo ajusta o botão de libertação
4. Controlo da velocidade
5. Interruptor desligado/ligado
6. Tranca de gatilho ligado
7. Lâmina para corte de imersão
8. Lâmina para corte liso de 88 mm
9. Placa de lixar
10. lixa
11. Adaptador **/*
12. Orifício da bateria
13. Pega, superfícies de prensão isoladas

*Compatível com gerações anteriores de acessórios RYOBI, RIDGID, ou AEG. RYOBI é uma marca comercial utilizada sob licença da Ryobi Limited. RIDGID é uma marca comercial da Emerson Electric Co. AEG é uma marca comercial registada utilizada sob licença da AB Electrolux (publ).

*Compatível com acessórios FEIN. FEIN é uma marca comercial da C. & E. Fein GmbH.

**Compatível com acessórios DREMEL. DREMEL é uma marca comercial da Robert Bosch Tool Corporation.

OPERAÇÃO

O produto é fornecido com um adaptador adicional para uso com outras marcas de corte, raspagem, lixamento e acessórios. Não use o adaptador com a última geração de acessórios RYOBI fornecidos com a sua ferramenta. Por exemplo, use o adaptador com as letras "R & F" voltado para fora se quiser usar RYOBI, RIDGID ou acessórios AEG da geração anterior. O adaptador pode ser entregue para uso com outras marcas de acessórios.

- Proteja as peças de trabalho com uma braçadeira para evitar o movimento durante lixamento ou operações de corte. Nunca segure manualmente uma peça de trabalho. Um deslizamento inadvertido durante a operação do produto pode causar ferimentos graves.
- Ao fazer cortes profundos em materiais macios, como a madeira e gesso cartonado utilizando o acessório de corte, traz gradualmente a lâmina de vibração para a peça. Não empurre a lâmina vibrante dura para o

material a ser cortado. Deixe o produto trabalhar e concentre-se em manter a estabilidade do produto e do acessório de corte, na posição em que quer fazer o corte.

- Tome cuidado extra no corte em metais não-ferrosos. A lâmina de corte vibrante pode saltar antes de começar a cortar. Se necessário, antes de começar a cortar, faça alguns furos ao longo da linha que vai ser cortada.
- Se os acessórios de corte ficarem presos na peça de trabalho, desligue o produto e desconecte-a da fonte de alimentação. Se o acessório de corte não puder ser removido facilmente, permita que os acessórios de corte arrefeçam adequadamente antes de libertar o acessório de corte do produto. Use luvas e utilizar ferramentas manuais, tais como alicates e chave de fenda, para remover o acessório de corte da peça.

PROTECÇÃO CONTRA SOBREINTENSIDADE DE CORRENTE

Quando é detectada uma sobreintensidade de corrente, o produto desliga-se automaticamente.

Se o produto parar de trabalhar, liberte o gatilho e, em seguida, volte a premir o gatilho. O produto deverá começar a trabalhar novamente.

MANUTENÇÃO

⚠ AVISO

O produto não deve nunca ligado à corrente elétrica durante a montagem de peças, a realização de ajustes, limpeza, operações de manutenção ou quando não está em uso. Desligar o produto da fonte de alimentação elétrica irá impedir o arranque acidental que poderia causar ferimentos graves.

⚠ AVISO

Na manutenção utilize apenas peças sobresselentes, acessórios e auxiliares originais do fabricante. O uso de quaisquer outras peças pode criar perigo ou causar danos ao aparelho.

- Evite usar solventes ao limpar as peças de plástico. A maioria dos plásticos pode ser danificada pelos solventes vendidos no comércio. Utilize um pano limpo para remover as sujidades, o pó, etc.

⚠ AVISO

Nunca, em qualquer momento, deixe que fluidos de travagem, gasolina, produtos petrolíferos, óleos de perfuração, etc., entrem em contacto com as peças de plástico. Estes produtos químicos contêm substâncias que podem danificar, deteriorar ou destruir o plástico, o que poderia provocar ferimentos graves.

⚠ AVISO

Para uma maior segurança e fiabilidade, todas as reparações devem ser realizadas por um centro de assistência autorizado.

A poeira da placa de gesso e a parede é abrasiva e pode causar falha prematura do produto se tiver permissão para entrar na área do motor. Limpe bem o produto após o uso, utilizando uma escova e um aspirador. Tome cuidado para não empurrar o lixo nas aberturas de ventilação. Não use ar comprimido para limpar o produto, dado que o pó e as impurezas podem causar graves lesões nos olhos.

LUBRIFICAÇÃO

Todos os rolamentos deste produto estão lubrificados com um montante suficiente de lubrificante de elevado nível, de acordo com a duração de vida do produto em condições normais de funcionamento. Por conseguinte, não requer nenhuma lubrificação suplementar.

SÍMBOLOS



Alerta de segurança



Corrente directa



Agradecemos que leia atentamente as instruções antes de iniciar a máquina.



Madeira – Cortes de imersão e cortes lisos



Metais não ferrosos – Cortes de imersão e cortes lisos



Plástico – Cortes de imersão e cortes lisos



Para reduzir o risco de ferimentos ou de danos, evite o contacto com qualquer superfície quente.

Não elimine baterias, pilhas, equipamentos elétricos e eletrónicos juntamente com resíduos municipais não separados. Os resíduos de baterias, pilhas e equipamentos elétricos e eletrónicos devem ser recolhidos separadamente. Os resíduos de acumulares de baterias, pilhas e fontes de luz têm de ser retirados do equipamento. Consulte a sua autoridade local ou retalhista para obter aconselhamento sobre reciclagem e pontos de recolha. De acordo com os regulamentos locais, os retalhistas têm a obrigação de receber os resíduos de baterias, pilhas e equipamentos elétricos e eletrónicos livres de encargos. O seu contributo para reutilizar e reciclar os resíduos de equipamentos elétricos e eletrónicos ajuda a reduzir a procura de matérias-primas. As baterias e pilhas usadas, em particular, contêm lítio e os resíduos de equipamentos elétricos e eletrónicos contêm materiais recicláveis preciosos, que podem afetar negativamente o meio ambiente e a saúde humana se não forem eliminados de uma forma ambientalmente compatível. Elimine os dados pessoais dos equipamentos, se existirem.



Sikkerhed, ydelse og driftssikkerhed har fået topprioritet i designet af dit multiværktøj.

TILTÆNK ANVENDELSESFORMÅL

Multiværktøjet er kun beregnet til at blive brugt af voksne, som har læst og forstået instrukserne og advarslerne i denne brugsanvisning, og som kan betragtes som værende ansvarlige for deres handlinger.

Multiværktøjet er beregnet til:

- Slibning og overfladebehandling af metal, træ, plast eller lignende materialer ved hjælp af medfølgende formede slibebark
- Skrabning og dyksavning i ikke-jernholdige metaller, træ, plast, gipsplader osv ved hjælp af de medfølgende metalklinger
- Skæring af huller i vægge til indsættelse af kontakter og elstik
- Fjernelse af fugemateriale mellem keramikfliser

Multi-værktøjet er beregnet til indendørs brug i tørre, godt belyste og tilstrækkeligt ventilerede forhold.

Produktet er ikke beregnet til brug på våde materialer og overflader.

Produktet må kun bruges til de formål, der er angivet under formålsbestemt/korrekt brug.

⚠ ADVARSEL

Læs alle omhyggeligt alle advarsler, anvisninger og specifikationer, som følger med maskinen, og studer illustrationerne. Hvis nedenstående forskrifter ikke overholdes, kan der ske uheld og ulykker som brand, elektrisk stød og/eller alvorlige personskader.

Gem alle advarsler og brugsanvisninger til senere brug.

SIKKERHEDSADVARSLER VEDR. MULTIVÆRKTØJER

- **Hold maskinværktøjet i de isolerede gribeoverlader, når der arbejdes på steder, hvor man kan komme til at skære i skjulte ledninger.** Hvis der skæres i en strømførende ledning, kan det gøre udsatte metaldele af maskinværktøjet strømførende og give operatøren elektrisk stød.
- Benyt altid sikkerhedsbriller, når værktøjet benyttes. Benyt støvmaske, når der udvikles støv.

⚠ ADVARSEL

Støv fra visse typer maling, belægninger og materialer kan forårsage irritation eller allergiske reaktioner i åndedrætssystemet. Støv fra træ som fx eg, bøg, MDF og andre er kræftfremkaldende. Kun kvalificerede fagfolk må anvende produktet på asbestholdige materialer.

⚠ ADVARSEL

Produktet må aldrig sluttes til en strømforsyning, mens man er i færd med at samle dele, foretage justeringer, rengøre, udføre vedligeholdelsesarbejde, eller når produktet ikke anvendes. Frakobling af produktet fra strømforsyningen vil forhindre utilsigtet start, hvilket kan medføre alvorlig personskade.

- Når der arbejdes i vægge, lofter eller gulve, skal man sørge for at undgå el-, gas- eller vandledninger.

⚠ ADVARSEL

Metaludstyr vil blive varmt under brug og kan forårsage forbrænding af huden ved kontakt med operatøren. Benyt handsker, når der skiftes udstyr.

Vær forsigtig, når værktøjet fralægges mellem arbejdsopgaver, så der ikke opstår (person)skader.

- Undlad at benytte skæreudstyr, som er beskadiget, revnet eller ikke passer fuldstændigt til produktet.
- Produktet skaber vibrationer, som bevæger tilbehøret. Vibrationerne kan medføre ubehag, hvis produktet betjenes i længere perioder ad gangen. Tag ofte en pause, især hvis du føler ubehag i armen, håndledet eller fingrene. Vælg en hastighedsindstilling, med hvilken arbejdet kan udføres effektivt. Læs afsnittene Uundgåelige risici og Risikoreduktion for flere oplysninger om vibrationer-relaterede skader.
- **Emnet skal fastspændes med en fastspændingsanordning.** Ikke-spændte emner kan forårsage alvorlige (person)skader. Undlad at holde det materiale, der slibes, med hånden.
- **Brug ikke større stykker sandpapir end nødvendigt.** Ekstra papir, der stikker ud over bundpladen, kan også forårsage alvorlige flænger.
- Brug altid beskyttelsesbriller og støvmaske, når du sliber - især ved slibning over hovedhøjde.
- Der skal benyttes et egnet åndedrætsværn ved slibning af blyholdig maling, visse trætyper og metal for at undgå indånding af skadeligt/giftigt støv eller luft.
- Det støv, der genereres ved brug af produktet, kan udgøre en sundhedsfare for operatøren og tilskuere. Operatør og tilskuere må ikke berøre eller inhalere støvet. Bær en passende støvbeskyttelsesmaske.
- Bearbejd ikke materialer, der udgør en sundhedsfare (f.els. asbest).
- Omgivelsestemperaturområdet for værktøj under betjening er mellem 0°C og 40°C.
- Omgivelsestemperaturområdet for værktøj under opbevaring er mellem 0°C og 40°C.
- Det anbefalede omgivelsestemperaturområde for ladesystemet under opladning er mellem 10°C og 38°C.

YDERLIGERE SIKKERHEDSADVARSLER OM BATTERI

⚠ ADVARSEL

For at undgå risiko for brand, kvæstelser eller beskadigelse af produktet forårsaget af kortslutning må værktøjet, batteripakken eller opladeren ikke nedsænkes i vand. Sørg ligeledes for, at der ikke trænger væske ind i enhederne og batterierne. Korroderende eller ledende væsker, f.eks. saltvand, bestemte kemikalier, blegestoffer eller produkter, som indeholder blegestoffer, kan forårsage kortslutning.

- Omgivelsestemperaturområdet for batteri under brug er mellem 0°C og 40°C.
- Omgivelsestemperaturområdet for batteriopbevaring er mellem 0°C og 20°C.

TRANSPORT AF LITHIUM-BATTERIER

Batteriet skal transporteres i henhold til lokale og nationale forskrifter og love.

Når batterier skal transporteres af tredjepart, skal alle specielle krav til emballering og mærkning efterleves. Man skal sikre sig, at ingen batterier kan komme i kontakt med andre batterier eller ledende materialer under transporten ved at beskytte blottede konnektorer med isolerende, ikke-ledende hætter eller tape. Undlad at transportere batterier med revner eller utætheder. Rådfør dig desuden hos speditøren.

UUNDGÅELIGE RISICI

Selv om produktet anvendes som foreskrevet, er det stadig umuligt at eliminere visse uundgåelige risikofaktorer fuldstændigt. Følgende risici kan opstå under brug, og operatøren bør være særligt opmærksom for at undgå følgende:

- Personskader forårsaget af støv
 - Der skal altid benyttes øjenværn.
 - Benyt åndedrætsværn med filtre, der svarer til det materiale, der arbejdes med. Sørg for tilstrækkelig ventilation på arbejdspladsen.
 - Undlad at spise, drikke eller ryge i arbejdsområdet.
- Fare for personskade pga. støj og vibration
 - Benyt høreværn
 - Undlad at benytte produktet i længere perioder ad gangen. Se "Risikoreduktion".
- Der er fare for elektrisk stød, hvis der skæres i kabler.
 - Hold altid produktet i de hertil indrettede håndtag. Undgå at gøre ved produktets skæreklinger eller metaldele.

RISIKOREDUKTION

Der er rapporteret om, at vibrationer fra håndholdte værktøjer kan være medvirkende til en lidelse kaldet Raynauds syndrom hos visse personer. Symptomerne herpå kan være prikken, følelsesløshed og blegning af fingrene, der normalt viser sig ved kuldepåvirkning. Faktorer som arvelighed, usættelse for kulde og fugt, kost, rygning og arbejdsvaner menes alle at medvirke til udviklingen af disse symptomer.

Der findes forholdsregler, som operatøren kan træffe for at begrænse påvirkningen fra vibrationer:

- Hold kroppen varm i koldt vejr. Brug handsker, så hænder og vriste holdes varme under arbejdet. Der er rapporteret om, at koldt vejr er en væsentlig faktor til Raynauds syndrom.
- Motionér efter hver arbejdsperiode for at øge blodcirkulationen.
- Hold hyppige arbejdspauser. Begræns eksponeringen for vibrationer pr. dag.

Hvis du mærker nogen af symptomerne på denne tilstand, skal du straks ophøre med arbejdet og søge læge.

⚠ ADVARSEL

Længere tids brug af et værktøj kan forårsage - eller forvære - personskader. Når man bruger et værktøj i længere perioder ad gangen, skal man huske at holde hyppige pauser.

KEND PRODUKTET

Se side 93.

1. Klingefastspænding
2. Klingelås/udløsehåndtag
3. Udløseknop til justering af hovedvinklen
4. Hastighedskontrol
5. Tænd/Sluk-kontakt
6. Låsekontakt
7. Dyksavsklinge
8. 88 mm udglatningsklinge
9. Bundplade
10. Sandpapir
11. Adapter */**
12. Batteriåbning
13. Håndtag, isoleret gribeblade

*Kompatibel med tidligere generationer af RYOBI-, RIDGID- eller AEG- tilbehør. RYOBI er et varemærke brugt under licens fra Ryobi Limited. RIDGID er et varemærke tilhørende Emerson Electric Co. AEG er et registreret varemærke brugt under licens fra AB Electrolux (publ).

**Kompatibel med FEIN-tilbehør. FEIN er et varemærke tilhørende C. & E. Fein GmbH.

***Kompatibel med DREMEL-tilbehør. DREMEL er et varemærke tilhørende Robert Bosch Tool Corporation.

BETJENING

Produktet leveres med en ekstra adapter til brug med andre mærker af skære-, skrabe- og slibeudstyr. Undlad at bruge adapteren sammen med den nyeste generation af RYOBI-tilbehør, som følger med værktøjet. Eksempelvis skal man bruge adapteren, så bogstaverne "R&F" vender udad, hvis man ønsker at bruge tidligere generation af RYOBI, RIDGID- eller AEG-tilbehør. Adapteren kan vendes til brug med andre tilbehørmærker.

- Emner skal fastgøres med en fastspændingsanordning for at forhindre bevægelse under slibe- eller skærearbejde. Hold aldrig emnet i hånden. En utilsigtet smutter, mens man betjener produktet, kan forårsage alvorlig personskade.
- Når man udfører dyksnit i bløde materialer som træ og gipsplader ved hjælp af skærende tilbehør, skal man

føre den vibrerende klinge forsigtigt frem til emnet. Undgå at presse den vibrerende klinge hårdt ind i det materiale, der skal skæres. Lad produktet klare arbejdet og koncentrer dig om at holde produktet og skæretilbehøret stabilt i den position, du ønsker at foretage udskæringen.

- Vær ekstra forsigtig, når der skæres ikke-jernholdige metaller. Den vibrerende skæreklinge kan smutte inden påbegyndelse af skæringen. Hvis det er nødvendigt, kan du bore nogle huller langs linjen, der skal skæres, før du begynder at skære.
- Hvis skæreudstyret sætter sig fast i emnet, skal man slukke produktet og frakoble forbindelsen til strømforsyningen. Hvis skæreudstyret ikke kan fjernes uden besvær, skal man lade det køle tilstrækkeligt af, inden man frigør det fra produktet. Benyt handsker og anvend håndværktøj som fx tang og skruenøgle til at fjerne skæreudstyret fra emnet.

OVERSPÆNDINGSBESKYTTELSE

Når der registreres overspænding, vil produktet automatisk slukke.

Hvis produktet stopper med at virke, slippes udløseren og trykkes derefter ned igen. Produktet bør starte med at virke igen.

VEDLIGEHOOLDELSE

⚠ ADVARSEL

Produktet må aldrig sluttes til en strømforsyning, mens man er i færd med at samle dele, foretage justeringer, rengøre, udføre vedligeholdelsesarbejde, eller når produktet ikke anvendes. Frakobling af produktet fra strømforsyningen vil forhindre utilsigtet start, hvilket kan medføre alvorlig personskade.

⚠ ADVARSEL

Ved service Brug kun originale reservedele, ekstraudstyr og tilbehør fra producenten. Brug af alternative dele kan forårsage farlige situationer eller ødelægge produktet.

- Undgå brug af opløsningsmidler til rengøring af plastdele. De fleste plasttyper bliver ødelagt, hvis de renses med almindelige gængse opløsningsmidler. Fjern snavs, støv m.v. med en ren klud.

⚠ ADVARSEL

Sørg for, at bremsevæske, benzin, petroleumbaserede produkter, penetreringsolie, mv., aldrig kommer i kontakt med plastdele. Disse kemiske produkter indeholder stoffer, som kan beskadige, mørme eller ødelægge plastmaterialet, så man risikerer at komme alvorligt til skade.

⚠ ADVARSEL

For bedre sikkerhed og pålidelighed skal alt reparationsarbejde udføres på et autoriseret servicecenter.

Støvet fra gips- og vægplader er skurende og kan forårsage førtidig svigt af produktet, hvis det kommer ind i motorområdet. Rengør produktet grundigt efter brug ved hjælp af en børste og en støvsuger. Pas på ikke at presse snavs ind i ventilationsåbningerne Undlad at bruge trykluft til at rengøre produktet, fordi støv og grus kan forårsage alvorlige øjenskader.

SMØRING

Alle lejerne i produktet er smurt for produktets levetid under normale driftsbetingelser med en tilstrækkelig mængde højkvalitetssmøremiddel. Det er derfor ikke nødvendigt med yderligere smøring.

SYMBOLER



Sikkerhedsadvarsel



Direkte strøm



Læs venligst vejledningen grundigt igennem før maskinen tages i brug.



Træ - dyksavs- og planskæringer



Ikke-jern-metal - dyksavs- og planskæringer



Plast - dyksavs- og planskæringer



Undgå kontakt med varme overflader for at mindske risikoen for person- eller tingskader.

Bortskaf ikke brugte batterier, elektriske dele og elektronisk udstyr som usorteret kommunalt affald.

Brugte batterier, kasserede elektriske dele og elektronisk udstyr skal indsamles separat.

Brugte batterier, affaldsakkumulatorer og lyskilder skal fjernes fra udstyret.

Kontakt din lokale myndighed eller forhandler for rådgivning om genbrug og indsamlingssted.

Ifølge lokale bestemmelser er detailhandlere måske forpligtede til gratis at tage kasserede batterier, elektriske dele og elektronisk udstyr retur til bortskaffelse.

Dit bidrag til genbrug og genanvendelse af brugte batterier, kasserede elektriske dele og elektronisk udstyr bidrager til at reducere efterspørgslen efter råmaterialer.

Kasserede batterier, navnlig indeholdende lithium, og kasserede elektriske dele og elektronisk udstyr indeholder værdifulde og genanvendelige materialer, som kan have en negativ indvirkning på miljøet og menneskers sundhed, hvis det ikke bortskaffes på en miljøvenlig måde.

Slet persondata fra eventuelt kasseret udstyr.

Säkerhet, prestanda och pålitlighet har varit högsta prioritet vid design av ditt multiverktyg.

ANVÄNDNINGSMÅL

Detta multiverktyg är enbart avsett att användas av vuxna som har läst och är införstådda med instruktioner och varningar i denna bruksanvisning och kan anses vara ansvariga för sina åtgärder.

Multiverktyget är avsett att användas:

- för slipning och ytbehandling av metall, trä, plast och liknande material med slipplattan och medföljande formade självhäftande slippapper
- för skrapning och tillskärning av inte järnhaltig metall, trä, plast, gipsplattor, etc. med de medföljande metallskärblad
- för håltagning i väggar för kontakter eller eluttag
- för borttagning av murbruk mellan keramikplattor

Multiverktyget är avsett för inomhusbruk i torra, väl belysta och ventilerade förhållanden.

Produkten är inte avsedd för användning på våta materiel och ytor.

Använd inte produkten på något annat sätt än vad som är avsett.

⚠ VARNING

Läs uppmärksamt alla varningar, instruktioner och specifikationer som bifogas med detta verktyg och studera bilderna. Underlåtenhet att respektera dessa föreskrifter kan leda till olyckor som brand, elektriska stötar och/eller allvarliga kroppsskador.

Behåll dessa varningar och anvisningar för framtida referens.

SÄKERHETSVARNINGAR FÖR MULTIVERKTYG

- **Greppa verktyget i dess isolerade delar när du utför arbeten där maskinen kan komma i kontakt med dolda elkablar.** Vid kontakt med en strömförande kabel kan de exponerade delarna på verktyget bli strömförande och ge användaren en elektrisk stöt.
- Använd alltid skyddsglasögon vid användning av verktyget. Använd dammskär när det dammar.

⚠ VARNING

Damm från viss typ av färg, ytor och material kan skapa irritation eller allergiska reaktioner i andningssystemet. Damm från trä som ek, bok, MDF och annat är cancerframkallande. Endast utbildad person får använda produkten på material som innehåller asbest.

⚠ VARNING

Produkten får inte anslutas till elnät under montering, justering, rengöring, underhåll eller då produkten inte används. Att koppla bort produkten från strömförsörjningen förhindrar oavsiktlig start som kan orsaka allvarliga olycksfall.

- Vid arbete i väggar, golv eller tak ska du vara noga med att undvika el-, gas- och vattenledningar.

⚠ VARNING

Metalltillbehör blir varmt under användning och kan leda till brännskador om användaren vidrör tillbehören. Använd handskar vid byte av tillbehör.

Var försiktig när verktyget sätts ned mellan åtgärder så att inga skador uppstår.

- Använd inte skärtilbehör som är skadade, spruckna eller inte passar på produkten.
- Produkten genererar vibrationer som flyttar på tillbehöret. Vibrationerna kan orsaka obehag om produkten används under lång tid. Lägg in frekventa pauser, särskilt om du upplever obehag i armen, handleden eller fingrarna. Välj hastighetsinställning för att utföra arbetet på ett effektivt sätt. Läs i avsnittet Restrisker och Riskminskning för mer information om vibrationsrelaterade skador.
- **Fest arbetsstycket med klämanordning.** Icke fastklämda arbetsstycken kan orsaka allvarliga skador och skada på egendom. Håll inte det material som slipas med enbart handen.
- **Sandpappret får inte vara för stort.** Om sandpappret är större än slipdynan, kan du skada dig allvarigt.
- Använd alltid skyddsglasögon och en skyddsmask mot damm då du slipar, i synnerhet om du håller slipmaskinen ovanför huvudet.
- Du bör använda en lämplig skyddsmask mot damm då du slipar ytor som är täckta med blybaserad färg eller vissa träslag och metaller, för att inte andas in damm eller giftiga ångor.
- Det damm som uppstår vid användningen av produkten kan utgöra en hälsofarorisk för operatören och personer i närheten. Operatören och personer i närheten skall inte röra eller andas in dammet. Bär en lämplig dammskyddsmask.
- Kör inte material i maskinen som utgör en hälsofarorisk (t.ex. asbest).
- Omgivningstemperatur för verktyget vid drift skall ligga mellan 0 °C och 40 °C.
- Omgivningstemperatur för verktyget vid förvaring skall ligga mellan 0 °C och 40 °C.
- Den rekommenderade omgivningstemperaturen vid laddning av systemet skall ligga mellan 10 °C och 38 °C.

YTTERLIGARE SÄKERHETSVARNINGAR FÖR BATTERIER

⚠ VARNING

För att undvika den fara för brand, personskador eller produktskador som orsakas av en kortslutning, doppa inte ner verktyget, utbytesbatteriet eller laddaren i vätskor och se till att ingen vätska kan tränga in i apparaterna eller batterierna. Korroderande eller ledande vätskor, som saltvatten, vissa kemikalier, blekningsmedel eller produkter som innehåller blekmedel, kan orsaka en kortslutning.

- Omgivningstemperatur för batteriet vid drift skall ligga

mellan 0 °C och 40 °C.

- Omgivningstemperatur för batteriet vid förvaring skall ligga mellan 0 °C och 20 °C.

TRANSPORTERA LITIUMBATTERIER

Transportera batteriet enligt lokala och nationella lagar och regleringar.

Följ alla specifika krav på förpackning och etiketter när batteri transporteras av tredje part. Se till att batteriet inte kommer i kontakt med andra batterier eller ledande material genom att skydda exponerade kontakter med isolerande, icke ledande skydd eller tejp. Transportera inte batterier som är spruckna eller läcker. Kontrollera med vidarebefordrande företag för mer information.

RESIDUALRISK

Även om produkten används enligt instruktionerna går det inte att eliminera alla eventuella riskfaktorer. Följande risker kan uppstå vid användning och operatören ska vara extra uppmärksam för att undvika följande:

- Skador orsakade av damm
 - Använd alltid lämpligt ögonskydd.
 - Använd andningsskydd med filter som är lämpliga för de material som du arbetar med. Se till att arbetsplatsen är tillräckligt ventilerad.
 - Ät, drink eller rök inte på arbetsområdet.
- skador orsakade av buller eller vibrationer
 - Bär hörselskydd.
 - Använd inte produkten under längre tidsperioder. Se "Riskreducering".
- Det finns risk för elektrisk stöt om man skär i elkablar
 - Håll alltid produkten i avsedda handtag. Vidrör inte skärblad eller metalldelar på produkten.

RISKMINSKNING

Det finns rapporter om att vibrationer från handhållna produkter kan bidra till ett tillstånd som kallas Raynauds syndrom för vissa personer. Symptomen brukar vara att det sticker i fingrarna och att de domnar bort; fingrarna kan också bli vita, särskilt vid kyla. Årftliga faktorer, kyla och fukt, diet, rökning och arbetsrutiner tros alla bidra till att orsaka dessa symptom. Det finns förebyggande åtgärder som du kan vidta för att försöka minska vibrationernas påverkan:

- Håll dig varm när du arbetar i kallt väder. Använd handskar för att hålla kvar värmen i händer och handleder. Kyla har rapporterats som en viktig del i utvecklandet av Raynauds syndrom.
- Träna och rör på dig efter varje användningstillfälle för att öka blodcirkulationen.
- Ta ofta pauser från arbetet. Begränsa tiden du utsätter dig varje dag.

Upphör omedelbart om du upplever några av dessa symptom och uppsök din läkare.

VARNING

Risk för person- eller slitageskador vid användning av verktyget under lång tid. Om verktyget används under längre perioder krävs regelbundna pauser.

LÄR KÄNNA DIN PRODUKT

Se *sidan 93*.

1. Bladklämma
2. Bladlås/frigöringsspak
3. Frigöringsknapp för justering av huvudvinkel
4. Kontroll av hastigheten
5. Av/på-knapp
6. Brytare för påslagning
7. Instickssågblad
8. 88 mm sågblad
9. Fot
10. Sandpapper
11. Adapter */**
12. Batteriport
13. Handtag, isolerad greppyta

*Kompatibel med tidigare generationer av tillbehör till RYOBI, RIDGID, eller AEG. RYOBI är ett varumärke som används under licens från Ryobi Limited. RIDGID är ett varumärke som tillhör Emerson Electric Co. AEG är ett registrerat varumärke som används under licens från AB Electrolux (publ).

*Kompatibel med tillbehör från FEIN. FEIN är ett varumärke som tillhör C. & E. Fein GmbH.

**Kompatibel med tillbehör från DREMEL. DREMEL är ett varumärke som tillhör Robert Bosch Tool Corporation.

ANVÄNDNING

Produkten har en extra adapter för användning med andra märken av skär-, slip- och sandtillbehör. Använd inte adaptern med senaste generationen av RYOBI-tillbehör som medföljde verktyget. Exempelvis ska adaptern med bokstäverna "R&F" på utsidan användas med tidigare generationer RYOBI-, RIDGID- eller AEG-tillbehör. Adaptern kan användas och användas med andra tillbehörsmärken.

- Säkra arbetsstycken med klämma för att förhindra rörelse under slipning eller skärning. Håll aldrig i arbetsstycket. Ett oväntat misstag under användning kan leda till allvariga personskador.
- Vid tillskärning av mjuka material som trä och gipsplattor med skärtillbehöret ska det vibrerande bladet långsamt sänkas mot arbetsstycket. Tryck inte det vibrerande bladet för hårt i material som ska skäras. Låt produkten göra arbetet och koncentrera dig på att hålla produkten och sågtillbehöret stabilt i det läge där du vill säga.
- Var extra försiktig vid skärning i icke järnhaltiga material. Det vibrerande skärbladet kan halka runt innan skäret påbörjas. Om det behövs, borra några hål längs med den linje du vill säga, innan du påbörjar sågningen.
- Om skärbladen sätter sig i arbetsstycket, stäng av produkten och koppla bort den från eluttag. Om det inte går lätt att få bort skärtillbehöret ska du låta det svalna innan du frigör tillbehöret från produkten. Använd handskar och handverktyg, som tänger och nycklar, för att ta loss skärtillbehöret från arbetsstycket.

ÖVERSTRÖMSSKYDD

När överström detekteras stängs produkten automatiskt av.

Om produkten slutar arbeta, släpp reglaget och applicera sedan igen. Produkten bör börja arbeta igen.

UNDERHÅLL

⚠ VARNING

Produkten får aldrig anslutas till strömkälla under montering, justeringar, rengöring, underhåll eller när produkten inte används. Att koppla bort produkten från strömförsörjningen förhindrar oavsiktlig start som kan orsaka allvarliga olycksfall.

⚠ VARNING

Under servicearbete ska enbart tillverkarens originaldelar och -tillbehör användas. Användning av andra delar kan orsaka fara eller produktskada.

- Undvik att använda lösningsmedel vid rengöring av plastdelar. Flertalet plaster kan skadas vid användning av vissa lösningsmedel som säljs i affärerna. Använd en ren tygrasa för att torka bort smuts, damm, osv.

⚠ VARNING

Låt aldrig bromsvätska, bensin, petroleumbaserade produkter, penetrerande oljor och liknande komma i kontakt med plastdelar. Dessa kemiska produkter innehåller ämnen som kan skada, försvaga eller förstöra plasten, vilket kunde förorsaka allvarliga kroppsskador.

⚠ VARNING

För säkerhet och pålitlighet ska alla reparationer utföras av auktoriserat reparationscenter.

Damm från gips och väggskivor slipar och kan orsaka för tidigt slitage på produkten om det kommer in i motordelen. Rengör produkten noga efter användning med borste och dammsugare. Var noga med att inte få in smuts i ventilationshålen. Använd inte komprimerad luft för att rengöra produkten då damm och grus kan orsaka allvarliga skador.

SMÖRJNING

Alla lager i produkten har smorts med tillräcklig mängd högklassig smörjmedel för produktens livslängd under normala driftsförhållanden. Därför behövs ingen ytterligare smörjning.

SYMBOLER



Säkerhetsvarning



Likström



Läs instruktionerna ordentligt innan start av maskinen.



Trä - Instickssågning och sågning jäms med ytan



Icke-järnhaltig metall - Instickssågning och sågning jäms med ytan



Plast - Instickssågning och sågning jäms med ytan



För att minska risken för olycksfall och skador, undvik kontakt med heta ytor.

Kassera inte uttjänta batterier, elavfall och elektronisk utrustning som restavfall.

Uttjänta batterier, elavfall och elektronisk utrustning måste samlas in separat.

Uttjänta batterier, uttjänta ackumulatörer och ljuskällor måste avlägsnas från utrustningen.

Fråga din lokala myndighet eller återförsäljare om återvinningsråd och uppsamlingsplats.

Beroende på lokala bestämmelser kan återförsäljare vara skyldiga att kostnadsfritt ta tillbaka uttjänta batterier samt elektriskt och elektroniskt avfall.

Ditt bidrag till återanvändning och återvinning av uttjänta batterier samt elektriskt och elektroniskt avfall bidrar till att minska behovet av råmaterial.

Uttjänta batterier, särskilt litiumbatterier, samt elavfall och elektronisk utrustning innehåller värdefulla och återvinningsbara material som kan påverka miljön och människors hälsa negativt, om de inte kasseras på ett miljömässigt sätt.

Radera eventuella personuppgifter från avfallsutrustningen.



Yleistyökälyn suunnittelussa on pidetty etusijalla turvallisuutta, suorituskykyä ja luotettavuutta.

KÄYTTÖTARKOITUS

Tämä yleistyökäly on tarkoitettu vain sellaisten aikuisten käytettäväksi, jotka ovat lukeneet ja ymmärtäneet tämän käsikirjan ohjeet ja varoitukset ja joita voidaan pitää vastuullisina teoistaan.

Yleistyökäly on tarkoitettu

- metallin, puun, muovien ja vastaavien materiaalien hiontaan ja viimeistelyyn käyttäen mukana toimitettuja muuton leikattuja hioma-arkkeja
- rautaa sisältämättömien materiaalien, puun, muovin, kipsilevyn jne. kaavintaan ja uppoleikkaukseen käyttäen oheisia metallisia teriä
- reikien leikkaamiseen seiniin kytkimiä ja pistorasioita varten
- laastin poistamiseen keraamisten laattojen välistä

Yleistyökäly on tarkoitettu sisäkäyttöön kuivissa, hyvin valaistuissa ja riittävästi tuuletetuissa olosuhteissa.

Tuotetta ei ole tarkoitettu käytettäväksi märkien materiaalien tai pintojen kanssa.

Älä käytä tätä tuotetta millään muulla tavalla kuin mihin se on tarkoitettu.

VAROITUS

Lue tarkkaavaisesti kaikki tämän työkalun kanssa toimitetut varoitukset, ohjeet ja spesifikaatiot, ja katso lisäksi kuvat. Seuraavassa esitettyjen ohjeiden laiminlyönnistä saattaa olla seurauksena onnettomuuksia kuten tulipalot, sähköiskut ja/tai vakavia kehon vammoja.

Säästä kaikki varoitukset ja ohjeet tulevaa käyttöä varten.

YLEISTYÖKÄLYN TURVALLISUUSVAROITUKSET

- **Pidä kiinni sähkötyökälusta vain kahvasta jossa tartuntapinta, erityisesti kun työstät materiaalia, jossa on mahdollisesti piilossa olevia johtoja.** Jos leikkuri koskettaa sähköistettyä johtoa, työkalun metalliosat voivat sähköistyä ja aiheuttaa käyttäjälle sähköiskun.
- Käytä aina suojalaseja käyttäessäsi työkalua. Käytä polynaamaria polyisissä töissä.

VAROITUS

Erilaisista maaleista, pinnoitteista ja materiaaleista syntyvä pöly saattaa aiheuttaa ärsytystä tai allergisia reaktioita hengitysteissä. Esim. tammen, pyökin ja MDF:n puupöly on karsinogeenistä. Vain pätevät asiantuntijat saavat käyttää tuotetta asbestia sisältäviin materiaaleihin.

VAROITUS

Tuotetta ei tule koskaan kytkeä pistorasiaan osia koottaessa, säätöjä tehtäessä, puhdistettaessa, huollon aikana tai kun tuotetta ei aiota käyttää. Laitteen irrottaminen virtalähteestä estää vahingossa tapahtuvan käynnistymisen, mikä voi aiheuttaa vakavan loukkaantumisen.

- Kun käsittelet seiniä, kattoja tai lattioita, varo osumasta sähköjohtoihin ja kaasu- tai vesiputkiin.

VAROITUS

Metalliset lisävarusteet kuumenevat käytössä ja voivat aiheuttaa palovammoja, jos niitä kosketetaan. Käytä lisävarusteita vaihtaessasi käsiineitä.

Ole varovainen laskiessasi työkalun alas estääksesi loukkaantumiset ja vammat.

- Älä käytä vahingoittuneita, lohkeilleita tai huonosti istuvia leikkuulisävarusteita.
- Laitte saa aikaan tärinää, joka liikuttaa lisäosaa. Tärinä voi aiheuttaa epämukavuutta, jos laitetta käytetään kauan. Pidä usein taukoa, varsinkin jos tunnet kipua tai epämiellyttävää tunnetta käsivarressa, ranteessa tai sormissa. Valitse nopeusasetus, jolla työ hoituu tehokkaasti. Lue lisätietoja tärinään liittyvistä vammoista kohdasta Jäännösriskit ja Riskin vähentäminen.
- **Kiinnitä työkalupale paikoilleen puristimella.** Kiinnittämätön työkalupale voi aiheuttaa vakavan vamman ja vaurioita. Älä pitele hiomaasi materiaalia kädessä.
- **Älä käytä liian suurta hiekkapaperia.** Hiomalaikan reunojen yli ulottuva ylimääräinen paperi saattaa aiheuttaa vakavia haavoja.
- Käytä aina suojalaseja ja polynaamaria hioessasi, erityisesti pään yläpuolella hioessasi.
- Työhön sopivaa hengityssuojainta on käytettävä, kun hiotaan lyijymaalia, joiain puupintoja ja metallia, jotta vältytään haitallisen/myrkyllisen pölyn tai ilman hengittämiseltä.
- Työkälun käytön tuloksena syntyvä pöly voi olla vaarallista käyttäjän ja lähellä oleskelevien terveydelle. Käyttäjän ja lähellä oleskelevien ei pidä koskea eikä hengittää pölyä. Käytä asianmukaista pölyltä suojaavaa maskia.
- Älä työstä laitteella terveydelle vahingollista materiaalia (esim. asbestia).
- Ympäristön lämpötila-alue työkalulle käytön aikana on 0 °C ja 40 °C välillä.
- Ympäristön lämpötila-alue työkalulle varastoinnin aikana on 0 °C ja 40 °C välillä.
- Suositeltu ympäristön lämpötila-alue latausjärjestelmän latauksen aikana on 10 °C ja 38 °C välillä.

LISÄÄ AKUN TURVALLISUUSVAROITUKSIA

VAROITUS

Jotta vältetään lyhytsulun aiheuttama tulipalon, loukkaantumisen tai tuotteen vahingoittumisen vaara, älä koskaan upota työkalua, vaihtoakkuja tai latauslaitetta nesteeseen ja huolehdi siitä, ettei mitään nesteitä pääse tunkeutumaan laitteiden tai akkujen sisään. Syövyttävät tai sähköä johtavat nesteet, kuten suolavesi, tietyt kemikaalit ja lalkaisuaaineet tai valkaisuaineita sisältävät tuotteet voivat aiheuttaa lyhytsulun.

- Ympäristön lämpötila-alue akulle käytön aikana on 0 °C

ja 40 °C välillä.

- Ympäristön lämpötila-alue akun varastoinnin aikana on 0 °C ja 20 °C välillä.

LITIUMAKKUJEN KULJETTAMINEN

Kuljeta akkua paikallisten ja kansallisten ehtojen ja säädösten mukaisesti.

Noudata kaikkia pakkaamista ja nimeämistä koskevia erikoissäädöksiä, kun kolmas osapuoli kuljettaa akkuja. Varmista, että mikään akku ei kosketa muita akkuja tai johtavaa materiaalia kuljetuksen aikana suojaamalla paljaat navat eristävillä, johtamattomilla korkeilla tai teipillä. Älä kuljeta akkuja, jotka ovat halkeilleet tai vuotavat. Kysy välityksyritykseltä lisäneuvoja.

KÄYTÖN RISKIT

Vaikka tuotetta käytettäisiin ohjeiden mukaisesti, ei ole mahdollista täysin eliminoida tiettyjä käyttöön liittyviä riskitekijöitä. Käytössä voi aiheutua seuraavia vaaroja, ja käyttäjän tulee kiinnittää erityistä huomiota niiden välttämiseen:

- Pölyn aiheuttama vamma
 - Käytä aina suojalaseja.
 - Käytä suodattimella varustettua hengityssuojainta, joka sopii käsiteltävälle materiaalille Huolehdi työpaikalla riittävästä tuuletuksesta.
 - Älä syö, juo tai tupakoi työalueella.
- melun ja värinän aiheuttama vamma
 - Käytä kuulosuojaimia
 - Älä käytä tuotetta pitkiä aikoja. Katso kohta Riskien Vähentäminen.
- Sähköiskun vaara, jos leikataan sähköjohtoja.
 - Pitele tuotetta aina kahvoista. Älä kosketa tuotteen leikkuuteriä tai metalliosia.

RISKIEN VÄHENTÄMINEN

Raporttien mukaan käsityökalujen värinä voi joidenkin kohdalla myötävaikuttaa Raynaudin oikeen ilmenemiseen. Oireita ovat pistely, turtuus ja sormien kalpeneminen, yleensä kylmässä ilmassa. Perinnölliset tekijät, kylmyys ja kosteus, ruokavalio, tupakointi sekä työtavat voivat kaikki myötävaikuttaa näiden oireiden ilmenemiseen. Käyttäjä voi ehkäistä värinän aiheuttamia vaikutuksia seuraavasti:

- Pidä itsesi lämpimänä kylmällä säällä. Käytä laitteen käytön aikana käsineitä, jotta kätesi ja ranteesi pysyvät lämpöisinä. Raporttien mukaan kylmä ilma on tärkeä tekijä Raynaud's Syndromen (Raunaudin oireiden) ilmenemisessä.
- Harjoita kunkin käyttöjakson jälkeen liikuntaa, jotta verenkierto lisääntyy.
- Pidä työn aikana säännöllisesti taukoja. Rajoita päivittaisen värinän määrä.

Jos mitään yllä mainittuja oireita ilmenee, lopeta heti laitteen käyttö ja kerro oireista lääkärille.

VAROITUS

Laitteen pitkittynyt käyttö voi aiheuttaa tai vaikeuttaa vammoja. Kun käytät mitä tahansa laitetta pitkiä aikoja, muista pitää säännöllisiä taukoja.

TUNNE TUOTTEESI

Katso sivu 93.

1. Terän kiinnike
2. Terän lukitus/vapautusvipu
3. Pään kulman säädön vapautuspainike
4. Nopeudensäätö
5. Käynnistys/sammutuskytkin
6. Lukituskytkin
7. Uputussahanterä
8. 88 mm:n tasasaumaterä
9. Luistin
10. Hiomapaperi
11. Sovitin */**
12. Akkutilla
13. Kahva, eristetty tartuntapinta

*Yhteensopiva seuraavien tuotteiden aikaisempien sukupolvien kanssa: RYOBI, RIDGID, tai AEG-lisävarusteet. RYOBI on tavaramerkki, jonka lisenssinhaltija on Ryobi Limited. RIDGID on tavaramerkki, jonka omistaa Emerson Electric Co. AEG on rekisteröity tavaramerkki, jonka lisenssinhaltija on AB Electrolux (publ).

**Yhteensopiva FEIN-lisätarvikkeiden kanssa. FEIN on tavaramerkki, jonka omistaa C. & E. Fein GmbH.

***Yhteensopiva DREMEL-lisätarvikkeiden kanssa. DREMEL on tavaramerkki, jonka omistaa Robert Bosch Tool Corporation.

KÄYTTÖ

Tuotteen mukana toimitetaan lisäsovitin, jolla sitä voidaan käyttää muun merkisten leikkuu-, kaavinta- ja hiontalisävarusteita. Älä käytä sovitinta käyttäessäsi työkalun mukana tulleiden uusien RYOBI-lisävarusteiden kanssa. Käytä sovitinta esimerkiksi kirjaimet "R&F ulospäin" käyttäessäsi vanhempia RYOBI-, RIDGID- tai AEG-lisävarusteita. Sovitiin voidaan kääntää käytettäessä muun merkisiä lisävarusteita.

- Kiinnitä työkalupaleet puristimella estääksesi niiden liikkumisen hionnan tai leikkaamisen aikana. Älä koskaan pitele työkalupaleita käsin. Lipsahtaminen tuotetta käytettäessä voi johtaa vakavaan loukkaantumiseen.
- Kun uppoleikkaat pehmeää materiaalia, kuten puuta tai kipsilevyä, laske tärisevä terä hitaasti työkalupaleeseen. Älä paina tärisevää terää leikattavaan materiaaliin. Anna laitteen tehdä työ ja keskeytä pitämään laitetta ja sahausliösäosaa vakaana siinä asennossa, jossa haluat tehdä sahausksen.
- Ole erittäin varovainen leikatessasi raudattomia metalleja. Tärisevä leikkuuterä voi hyppelehtiä ennen kuin se alkaa leikata. Poraa tarvittaessa reikiä pitkien sahattavaa linjaa ennen kuin aloitat sahausksen.
- Jos leikkuulisävaruste jumittuu työkalupaleeseen, sammuta tuote ja irrota se pistorasiasta. Jos leikkuulisävarustetta ei ole mahdollista irrottaa helposti, anna sen jäähtyä riittävästi ennen kuin irrotat sen tuotteesta. Käytä käsineitä ja irrota lisävaruste työkalupaleesta käsityökaluilla, kuten pinheillä ja avaimella.

YLVIRTASUOJAUS

Kun ylivirtaa havaitaan, laite kytkeytyy automaattisesti pois päältä.

Jos tuote lakkaa toimimasta, vapauta liipaisin ja käytä sitten

uudelleen. Tuotteen tulisi alkaa toimia.

HUOLTO

VAROITUS

Tuotetta ei tule koskaan kytkeä pistorasiaan osia koottaessa, säätöjä tehtäessä, puhdistettaessa, huollon aikana tai kun tuotetta ei aiota käyttää. Laitteen irrottaminen virtalähteestä estää vahingossa tapahtuvan käynnistymisen, mikä voi aiheuttaa vakavan loukkaantumisen.

VAROITUS

Käytä huollossa ainoastaan alkuperäisiä valmistajan tuottamia varaosia, lisälaitteita ja lisävarusteita. Muunlaisten osien käyttö voi aiheuttaa vaaran tai vioittaa laitetta.

- Älä puhdista muoviosia liuottimilla. Suurin osa muoveista ei siedä markkinoilla olevia määrättyjä liuotteita, jotka vahingoittavat niitä. Käytä puhdasta riepua lian, pölyn jne. puhdistukseen.

VAROITUS

Älä koskaan päästä jarrunesteitä, bensiiniä, öljytuotteita, läpäiseviä öljyjä tms. kosketuksiin muoviosien kanssa. Nämä kemialliset tuotteet sisältävät aineita, jotka voivat vaurioittaa, heikentää tai tuhota muovin minkä seurauksena voi aiheutua vakavia ruumiinvammoja.

VAROITUS

Jotta laite toimisi turvallisesti ja luotettavasti, kaikki korjaukset tulee antaa valtuutetun huoltopisteen hoidettavaksi.

Kipsistä ja seinälevyistä syntyvä pöly on hankaavaa ja saattaa aiheuttaa tuotteen ennenaikaisen rikkoutumisen, jos sitä pääsee moottoritilaan. Puhdista tuote huolella käytön jälkeen harjalla ja imurilla. Varo, ettet työnnä pölyä tuuletusaukkoihin. Älä puhdista tuotetta paineilmalla, sillä pöly ja roskat voivat aiheuttaa vakavan silmävamman.

VOITELU

Tuotteen laitteen laakerit on voideltu laitteen eliniäksi normaaliolosuhteissa riittävällä määrällä korkealaatuista voiteluainetta. Tästä syystä työkalu ei kaipaa lisävoitelua.

SYMBOLIT



Turvallisuusvaroitus



Tasavirta



Lue ohjeet huolellisesti ennen laitteen käynnistämistä.



Puu - Uputus- ja tasosahaus



Ei-rautametalli - Uputus- ja tasosahaus



Muovit - Uputus- ja tasosahaus



Vältä koskettamasta mitään kuumaa pintaa loukkaantumisen tai vahingoittumisen vaaran pienentämiseksi.

Älä hävitä käytettyjä akkuja sekä sähkö- ja elektroniikkalaiteromua lajittelemattomana yhdyskuntajätteenä.

Käytetyt akut sekä sähkö- ja elektroniikkalaiteromu on kerättävä erikseen. Käytetyt paristot ja akut ja hukkavalonlähde on poistettava laitteista.

Kysy paikalliselta viranomaiselta tai jälleenmyyjältä kierrätysneuvoja ja tietoja keräyspisteistä.

Paikallisten määräysten mukaan jälleenmyyjillä voi olla velvollisuus ottaa käytetyt akut sekä sähkö- ja elektroniikkalaiteromu takaisin veloitusetta. Panoksesi käytettyjen akkujen sekä sähkö- ja elektroniikkalaiteromun uudelleenkäyttöön ja kierrätykseen auttaa vähentämään raaka-ainekysyntää.

Käytetyt, erityisesti litiumia sisältävät akut sekä sähkö- ja elektroniikkalaiteromu sisältävät arvokkaita ja kierrätettäviä materiaaleja, jotka voivat vaikuttaa haitallisesti ympäristöön ja ihmisten terveyteen, jos niitä ei hävitetä ympäristöystävällisellä tavalla. Poista mahdolliset henkilötiedot jätelaitteista.



Sikkerhet, ytelse og driftssikkerhet er gitt topp prioritet i konstruksjonen av ditt multiverktøy.

TILTENKT BRUK

Dette multiverktøyet skal kun brukes av voksne som har lest og forstått anvisningene og advarslene i denne brukermanualen og som kan anses å være ansvarlige for sine handlinger.

Multiverktøyet er ment brukt:

- for sliping og overflatebehandling av metall, tre, plast og lignende materialer ved bruk av slipeputen og det medfølgende tilpassede slipepapiret
- for skrapping og dykkapping i ikke-jernholdig metall, tre, plast, gipsplater etc ved bruk av de medfølgende bladene i metall
- for å kappe hull i vegger til brytere og elektriske kontakter
- for å fjerne fugemasse mellom keramiske fliser

Multiverktøyet er ment brukt innendørs i tørre og med godt opplyste og ventilerte forhold.

Produktet er ikke ment brukt på våte materialer og overflater.

Ikke bruk produktet på noe annen måte enn det som er beskrevet som tiltenkt bruk.

⚠ ADVARSEL

Les nøye gjennom alle advarslene, instruksene og spesifikasjonene som følger med verktøyet, og se på tegningene. Hvis forskriftene nedenfor ikke overholdes, kan det forårsake ulykker som brann, elektrisk støt og/eller alvorlige personskader.

Ta vare på alle advarsler og anvisnigner for senere bruk.

SIKERHETSADVARSLER FOR BRUK AV MULTIVERKTØY

- **Hold det elektriske verktøyet på de isolerte gripeflatene når du foretar arbeid der skjæreredskapen kan få kontakt med skjulte strømførende elektriske ledninger.** Skjæreredskap som får kontakt med strømførende elektriske ledninger kan føre til at metalldelene på verktøyet blir strømførende og at brukeren kan få støt.
- Anvend alltid sikkerhetsbriller når verktøyet brukes. Bruk en støvmaske når arbeidet produserer støv.

⚠ ADVARSEL

Støv fra visse malingstyper, belegg og materialer vil kunne skape irritasjoner eller allergiske reaksjoner i åndedrettssystemet. Støv fra tresorter som eik, bjørk, fiberplater og andre er kreftfremkallende. Bare kvalifiserte spesialister kan bruke produktet på materialer som inneholder asbest.

⚠ ADVARSEL

Produktet må ikke være koblet til strømnettet når du monterer deler, foretar justeringer, rengjør, utfører vedlikehold eller når produktet ikke er i bruk. Koble verktøyet fra strømmen slik at du unngår at det utilsikket starter, noe som kan føre til alvorlige skader.

- Når det arbeides på vegger, tak eller gulv må det påses at det ikke bores i elektriske ledninger og vann- eller gassrør.

⚠ ADVARSEL

Tilbehør av metall kan bli varmt ved bruk og kan føre til brannskader ved kontakt med brukerens hud. Bruk hansker når du skifter tilbehør.

Utvis forsiktighet når du setter fra deg verktøyet mellom arbeidsoperasjoner for å unngå skade på gjenstander eller personer.

- Ikke bruk kappeutstyr som er skadet, sprukket eller som ikke lar seg montere forsvarlig til produktet.
- Verktøyet skaper vibrasjoner som vil få tilbehøret til å bevege seg. Vibrasjonene kan føre til ubehag dersom verktøyet brukes lenge om gangen. Ta en pause ofte, særlig hvis du føler ubehag i armen, håndledd eller fingre. Velg en hastighetsinnstilling som vil sørge for at arbeidet utføres på en effektiv måte. Les seksjonen om gjenværende risiko og risikoreduksjon for å få mer informasjon om mulige skader som følge av vibrasjoner.
- **Fest arbeidsstykket med en tvinge.** Ikke festede emner kan påføre alvorlig personskade og materielle skader. Ikke hold materialet du skal slippe i hånden.
- **Slipepapiret må ikke være for stort.** Hvis slipepapiret stikker ut av sålen, risikerer du alvorlige kroppsskader.
- Ta alltid på sikkerhetsbriller og støvmaske når du sliper, særlig hvis du holder sliperen høyere enn hodet.
- Du må bruke en egnet støvmaske når du sliper flater som er dekket med blyholdig maling og enkelte treslag og metaller, for ikke å puste inn giftig støv eller damp.
- Støv som produseres ved bruk av produktet, kan være helseskadelig for operatøren og personer som befinner seg i nærheten. Operatøren og andre personer i nærheten skal ikke berøre eller inhalere støvet. Bruk egnet støvbeskyttelsesmaske.
- Ikke maskinbehandle noen materialer som utgjør en helsefare (f.eks. asbest).
- En passende temperatur for verktøyet når det brukes er mellom 0°C og 40°C.
- En passende temperatur for lagring av verktøyet er mellom 0°C og 40°C.
- En passende temperatur når systemet opplades er mellom 10°C og 38°C.

EKSTRA ADVARSLER FOR BATTERISIKKERHET**⚠ ADVARSEL**

For å unngå fare for en brann forårsaket av en kortslutning, av personskader eller skader av produktet, må det forhindres at batteripakken eller laderen dyppes i væsker og også sørges for at ingen væsker kan komme inn i apparatene eller batteriene. Korroderende og ledende væsker som saltvann, visse kjemikalier og blekemidler eller produkt som inneholder blekemidler kan forårsake en kortslutning.

- En passende batteritemperatur når verktøyet brukes er mellom 0°C og 40°C.
- En passende lagringstemperatur for batteriet er mellom 0°C og 20°C.

TRANSPORTERE LITIU-BATTERIER

Transporter batteriet i samsvar med lokale og nasjonale forskrifter og bestemmelser.

Følg alle spesielle krav når det gjelder pakking og merking når tredje part skal transportere batteriene. Pass på at batteriene ikke kan komme i kontakt med andre batterier eller ledende materialer når de transporteres ved at du beskytter åpne koblinger med isolerende, ikkeledende hetter eller tape. Ikke transportert batterier som har sprekker eller lekker. Sjekk med transportfirmaet for ytterligere råd.

GJENVÆRENDE RISIKO

Også når produktet brukes som beskrevet, er det ikke mulig å utelukke risiko for brukere eller personer i nærheten. Følgende farer kan oppstå ved bruk og operatøren bør være spesielt oppmerksom på å unngå/sikre følgende:

- Skader skapt av støv.
 - Bruk til enhver tid øyebeskyttelse.
 - Bruk åndedrettsbeskyttelse med filter som er tilpasset materialene som skal kappes. Sørg for tilfredsstillende ventilasjon av arbeidsområdet.
 - Ikke spis, drikk eller røyk i arbeidsområdet.
- skade skapt av støy og vibrasjoner
 - Bruk hørselsvern
 - Ikke bruk produktet sammenhengende over lang tid. Se "Farereduksjon".
- Det er fare for dødelig elektroshokk dersom den elektriske ledningen kappes mens den er tilkopledd strømmettet
 - Hold alltid verktøyet i angitte håndtak. Bører aldri kappeblad eller produktets metalldele.

FAREREDUKSJON

Det har blitt rapportert at vibrasjonene fra håndholdt verktøy kan bidra til en tilstand som heter Raynauds syndrom hos enkelte. Symptomene kan omfatte følelsesløshet og gjøre fingrene bleke, vanligvis synlig ved eksponering til lave temperaturer. Arvelige faktorer, eksponering mot lave temperaturer og fuktighet, diett, røyking og arbeidspraksis blir alle ansett for å kunne bidra til å utvikle disse symptomene. Brukeren kan iverksette tiltak for mulig å redusere virkningene av vibrasjonene:

- Hold kroppen din varm i kaldt vær. Bruk hansker og hold hender og vrister varme ved bruk av gressklipperen. Det er rapportert at kaldt vær er en viktig faktor som bidrar til Raynauds Syndrome.
- Etter hver arbeidsperiode bør det utføres øvelser for å øke blodsirkulasjonen.
- Ta ofte pauser fra arbeidet som utføres. Begrens mengden av eksponering pr. dag.

Hvis du opplever noen av symptomene på denne tilstanden må du øyeblikkelig avbryte arbeidet og oppsøke en lege med disse symptomene.

⚠ ADVARSEL

Skader kan oppstå eller forsterkes ved forlenget bruk av et verktøy. Når du bruker et verktøy over en lenger tidsperiode, husk å ta regelmessige pauser.

KJENN DITT PRODUKT.

Se side 93.

1. Bladklemme
2. Bladlås / utløserhendel
3. Utløserknapp for justering av hodevinkel
4. Hastighetskontroll
5. Av/På-bryter
6. Låseknapp
7. Blad til kappsag
8. 88 mm Blad for skjult saging
9. Såle
10. Sandpapir
11. Adapter **/**
12. Batteridør
13. Håndtak, isolert gripeoverflate

*Kompatibel med tidligere generasjoner av RYOBI-, RIDGID- eller AEG-tilbehør. RYOBI er et varemerke som brukes på lisens fra Ryobi Limited. RIDGID er et varemerke som tilhører Emerson Electric Co. AEG er et registrert varemerke som brukes på lisens fra AB Electrolux (publ).

*Kompatibel med FEIN-tilbehør. FEIN er et varemerke som tilhører C. & E. Fein GmbH.

**Kompatibel med DREMEL-tilbehør. DREMEL er et varemerke som tilhører Robert Bosch Tool Corporation.

BRUK

Produktet er utstyrt med en ekstra adapter for bruk med andre typer kappe-, skrape- og slipeutstyr. Ikke bruk adapteret til det nyeste RYOBI-tilbehøret som følger med ditt verktøy. Bruk for eksempel adapter med bokstavene "R&F" som vender utover hvis du ønsker å bruke tidligere generasjoner RYOBI, RIDGID eller AEG tilbehør. Adapteret kan snus for å brukes sammen med tilbehør fra andre produsenter.

- Hold arbeidsstykket på plass med en tvinge for å unngå at det flytter seg under sliping eller kapping. Hold aldri arbeidsstykket med hånden. En utilsikket bevegelse mens produktet brukes kan føre til alvorlig personskade.
- Når det foretas et dykk i myke materialer som tre og gipsplater med kappelbehøret må det vibrerende bladet beveges gradvis ned mot arbeidsstykket. Ikke press bladet inn i materialet som skal kappes. La maskinen gjøre jobben mens du konsentrerer deg om å

holde den stille og skjæreutstyret stabilt i den posisjonen du ønsker å sage.

- Utvis ekstra forsiktighet når det kappes i ikke-jernholdige metaller. Det vibrerende kappebladet vil kunne bevege seg rundt på arbeidsstykket før det begynner å kappe. Bør om nødvendig noen hull langs linjen som skal sages, før du begynner å sage.
- Hvis kappeutstyret blokkeres i arbeidsstykket må verktøyet slås av og den elektriske ledningen tas ut av støpslet. Hvis kappeverktøyet ikke kan fjernes enkelt må verktøyet gis anledning til å kjøle seg ned før tilbehøret frakoples verktøyet. Bruk hansker og håndverktøy som knipetang og fastnøkler til å fjerne kappetilbehøret fra arbeidsstykket.

OVERSTRØMSVERN

Produktet slår seg automatisk av når det registreres overstrøm.

Hvis produktet ikke fungerer lenger, slipp utløseren og prøv igjen. Produktet skal settes i drift igjen.

VEDLIKEHOLD

⚠ ADVARSEL

Produktet skal aldri kobles til en strømforsyning mens du monterer på deler, gjør justeringer, rengjør, utfører vedlikehold eller når produktet ikke er i bruk. Koble verktøyet fra strømmen slik at du unngår at det utilsiktede starter, noe som kan føre til alvorlige skader.

⚠ ADVARSEL

For service av maskinen, bruk kun produsentens originale reservedeler, tilleggsutstyr og påsatser. Bruk av andre deler kan skape fare eller føre til skade på produktet.

- Unngå bruk av løsemidler når du rengjør plastdelene. De fleste plastmaterialene kan skades ved bruk av løsningsmidlene som fås i handelen. Bruk en ren klut til å tørke bort smuss, støv osv.

⚠ ADVARSEL

Du må aldri la bremsevæske, drivstoff, petroleumsbaserte produkter, rustopløsende olje osv. komme i kontakt med plastikkdeler. Slike kjemiske produkter inneholder stoffer som kan skade, svekke eller ødelegge plasten, noe som kan medføre alvorlige kroppsskader.

⚠ ADVARSEL

For ødre sikkerhet og pålitelighet skal alle reparasjoner utføres av et autorisert verksted.

Støv fra gips og veggplater har en slipende effekt og vil kunne føre til at produktet havarerer dersom støvet trenger inn i motoren. Rengjør verktøyet grundig etter hver gangs bruk med børste eller støvsuger. Påse at urenheter ikke presses inn i ventilasjonsåpningene. Ikke bruk trykkluft for å rengjøre produktet fordi støv og grus kan forårsake alvorlig øyeskade.

SMØRING

Alle lager i dette produktet skal smøres med en tilstrekkelig mengde med et høyverdig smøremiddel for å sikre lang levetid under normale driftsforhold. Det er derfor unødvendig med tilleggs smøring.

SYMBOLER



Sikkerhetsadvarsel



Likestrøm



Vennligst les instruksjonene nøyte før du starter maskinen.



Trevirke – kappsnitt



Ikke-jernholdige metaller – kappsnitt



Plast – kappsnitt



Unngå å komme i kontakt med varme overflater for å redusere risiko for skade.

Ikke kast avfallsbatterier, elektrisk og elektronisk utstyrsavfall som usortert kommunalt avfall.

Avfallsbatterier og elektrisk og elektronisk utstyrsavfall må samles inn separat.

Avfallsbatterier, avfallsakkumulatorer og lyskilder må fjernes fra utstyret.

Undersøk med de lokale myndighetene for resirkuleringsråd og innsamlingspunkt.

I henhold til lokale forskrifter kan forhandlere være forpliktet til å ta tilbake avfallsbatterier, elektrisk og elektronisk utstyrsavfall gratis.

Ditt bidrag til gjenbruk av og gjenvinning av avfallsbatterier og elektrisk og elektronisk utstyrsavfall bidrar til å redusere etterspørselen etter råmaterialer.

Avfallsbatterier, spesielt de som inneholder litium, og elektrisk og elektronisk utstyrsavfall inneholder verdifulle og resirkulerbare materialer som kan påvirke miljøet og menneskets helse negativt, hvis de ikke blir kastet på en miljøkompatibel måte.

Slett personlig data fra utstyrsavfall, om noen.





При разработке этого мультинструмента особое внимание уделялось безопасности, производительности и надежности.

НАЗНАЧЕНИЕ

Мультинструментом могут пользоваться только компетентные взрослые, которые прочли инструкции по технике безопасности, осознали опасности, связанные с эксплуатацией изделия, и могут считаться ответственными за свои действия.

Данный мультинструмент предназначен для:

- шлифования и полировки металла, древесины, пластмассы и аналогичных материалов, используя шлифовальную насадку с шлифовальными пластинами разной формы, входящими в комплект поставки
- для циклевания и врезного шлифования цветных металлов, древесины, пластика, гипсокартона и т. п., используя металлические режущие лезвия, входящие в комплект поставки
- для вырезания отверстий в стенах под выключатели или розетки
- для удаления затирки из швов между керамическими плитками

Данный мультинструмент предназначен для эксплуатации в сухих, хорошо освещенных и проветриваемых помещениях.

Данный инструмент не предназначен для использования с сырыми материалами и поверхностями.

Используйте устройство строго по назначению, указанному в настоящем руководстве.

⚠ ОСТОРОЖНО

Прочтите все указания, инструкции, иллюстрации и спецификации, поставляемый с этим электроинструментом. Несоблюдение всех инструкций, указанных ниже, может привести к поражению электрическим током, пожару и / или серьезным травмам.

Сохраните все предупреждения и инструкции для дальнейшего использования.

ПРЕДОСТЕРЕЖЕНИЯ ОТНОСИТЕЛЬНО БЕЗОПАСНОГО ПОЛЬЗОВАНИЯ МУЛЬТИИНСТРУМЕНТОМ

- При работе держите инструмент за рукоятки с электроизолирующим покрытием, так как пыльное полотно может наткнуться на скрытую электропроводку. В результате контакта полотна с проводом, находящимся под напряжением, металлические части инструмента также могут оказаться под напряжением, что приведет к поражению работающего электрическим током.
- Всегда носите защитные очки при работе с инструментом. В пыльных условиях носите респиратор.

⚠ ОСТОРОЖНО

Пыль, представляющая собой частицы определенных красок, покрытий и материалов, может вызвать раздражение или аллергические реакции дыхательной системы. Пыль от дуба, бука, МДФ и прочей древесины является канцерогенной. Только квалифицированные специалисты допускаются к использованию изделия для обработки материалов, содержащих асбест.

⚠ ОСТОРОЖНО

Не допускайте подключения инструмента к источнику питания при сборке его деталей, выполнении регулировки, чистки, технического обслуживания или в тех случаях, когда он не используется. Отключение инструмента от источника питания предотвращает его случайный пуск, который может привести к получению тяжелой травмы.

- При выполнении работ на стенах, потолках или полах следите за тем, чтобы не задеть электрические кабели и газовые или водопроводные трубы.

⚠ ОСТОРОЖНО

Металлические насадки нагреваются во время использования и могут вызвать ожоги кожи в случае прикосновения к ним. Выполняйте замену насадок в перчатках.

Осторожно обращайтесь с инструментом между операциями, чтобы избежать повреждения или травмы.

- Не используйте режущие насадки, которые повреждены, треснуты или ненадежно прикрепляются к изделию.
- Инструмент при работе создает вибрации, способствующие преждевременному износу. Вибрации могут причинять дискомфорт при работе с инструментом в течение длительного времени. Работайте с частыми перерывами, особенно если чувствуете дискомфорт в области предплечья, запястья или пальцев. Выбирайте скорость, которая позволит эффективно выполнить работу. Прочитайте разделы «Остаточные риски» и «Уменьшение риска» для получения информации о травмах, вызываемых вибрацией.

- **Зажимайте обрабатываемое изделие зажимным устройством.** Незажатые обрабатываемые изделия могут стать причиной тяжелых травм и повреждений. Не держите шлифуемый материал рукой.

- **Не используйте шлифовальную бумагу дольше, чем нужно.** Кроме того, шлифовальная бумага, выступающей за рамки шлифовальной накладки, можно серьезно пораниться.

- Во время шлифования, особенно при шлифовании выше уровня головы, всегда надевайте защитные очки и пылезащитную маску.

- Во время шлифования поверхностей, покрытых свинцовыми белилами, некоторых пород древесины и металлических изделий необходимо надевать подходящий респиратор, чтобы предотвратить



вдыхание вредной/токсичной пыли или воздуха.

- Пыль, образуемая в процессе эксплуатации изделия, может нанести вред здоровью оператора или находящихся поблизости людей. Следует не допускать попадания пыли на кожу или в дыхательные пути оператора и находящихся поблизости людей. Используйте подходящую пылезащитную маску.
- Запрещается обрабатывать материалы, представляющие опасность для здоровья (например, асбест).
- Температура окружающей среды для эксплуатации инструмента должна быть в диапазоне от 0°C до 40°C.
- Температура окружающей среды для хранения инструмента должна быть в диапазоне от 0°C до 40°C.
- Рекомендуемая температура окружающей среды для зарядного устройства в процессе зарядки должна быть в диапазоне между 10°C и 38°C.

ТРЕБОВАНИЯ БЕЗОПАСНОСТИ ПРИ ИСПОЛЬЗОВАНИИ ДОПОЛНИТЕЛЬНОЙ АККУМУЛЯТОРНОЙ БАТАРЕИ

▲ ОСТОРОЖНО

Для предотвращения опасности пожара в результате короткого замыкания, травм и повреждения изделия не опускайте инструмент, сменный аккумулятор или зарядное устройство в жидкости и не допускайте попадания жидкостей внутрь устройств или аккумуляторов. Коррозионные и проводящие жидкости, такие как соленый раствор, определенные химикаты, отбеливающие средства или содержащие их продукты, могут привести к короткому замыканию.

- Температура окружающей среды для эксплуатации аккумулятора должна быть в диапазоне от 0°C до 40°C.
- Температура окружающей среды для хранения аккумулятора должна быть в диапазоне от 0°C до 20°C.

ТРАНСПОРТИРОВКА ЛИТИЕВЫХ БАТАРЕЙ

Транспортируйте аккумуляторную батарею в соответствии с местными и государственными правилами и положениями.

При транспортировке батарей третьей стороной соблюдайте все специальные требования по упаковке и маркировке. Проверьте, чтобы аккумуляторные батареи не вступали в контакт с другими батареями или проводимыми материалами при транспортировке, для этого защитите оголенные разъемы изоляцией, изолирующими колпачками или лентами. Не переносите батареи с повреждениями или утечками. За дальнейшими консультациями обратитесь в транспортно-экспедиционную компанию.

ОСТАТОЧНЫЕ РИСКИ

Даже когда изделие используется согласно инструкциям, невозможно полностью устранить факторы риска. Следующие опасности могут возникнуть во время его использования, и во избежание их рабочий должен обратить особое внимание на следующее:

- Травмы, вызываемые пылью
 - Обязательно носите устройства для защиты глаз.
 - Носите средства защиты органов дыхания, содержащие фильтры, соответствующие обрабатываемым материалам. Обеспечьте надлежащую вентиляцию на рабочем месте.
 - Не ешьте, не пейте и не курите в рабочей зоне.
- травмы, вызываемые шумом и вибрацией
 - Примените средства защиты органов слуха
 - Не эксплуатируйте изделие в течение длительного периода времени без перерыва. См. "Снижение Риска".
- Риск поражения электрическим током в случае повреждения электрического кабеля.
 - Держите изделие только за предназначенные для этого ручки. Не касайтесь режущих лезвий или металлических частей изделия.

СНИЖЕНИЕ РИСКА

Сообщалось, что вибрация ручных электроинструментов у отдельных лиц может способствовать состоянию, которое называется синдром Рейно. К симптомам могут относиться покалывание, онемение и побеление пальцев (как при переохлаждении). Считают, что наследственные факторы, охлаждение и влажность, диета, курение и практический опыт способствуют развитию этих симптомов. Ниже приводятся меры, которые может принять оператор для снижения воздействия вибрации:

- Одевайтесь теплее в холодную погоду. При работе с устройством пользуйтесь перчатками, чтобы руки и запястья были в тепле. Считается, что холодная погода является основным фактором, способствующим возникновению болезни Рейно (Raynaud's Syndrome).
- После каждого этапа работы выполните упражнения для усиления кровообращения.
- Чаще делайте перерывы в работе. Сократите длительность ежедневного пребывания на открытом воздухе.

При появлении каких-либо из указанных симптомов сразу же прекратите работу и обратитесь по их поводу к врачу.

▲ ОСТОРОЖНО

Продолжительное использование инструмента без перерыва может привести к травмам. При использовании инструмента в течение длительного времени делайте регулярные перерывы.

ИЗУЧИТЕ ИЗДЕЛИЕ

Стр 93.

1. Зажим лезвия

2. Фиксатор лезвия/рычаг выключения
3. Кнопка регулировки угла головки
4. Регулировка скорости вращения
5. Тумблер включения/выключения
6. Переключатель блокиратора
7. Погружное пыльное полотно
8. Пильное полотно для резки заподлицо 88 мм
9. Лодошва
10. Наждачная бумага
11. Адаптер */**
12. Гнездо подключения батареи
13. Ручка, изолированная поверхность захвата

*Совместимо с предыдущими поколениями принадлежностей RYOBI, RIDGID и AEG. RYOBI является товарным знаком, используемым по лицензии компании Ryobi Limited. RIDGID является товарным знаком компании Emerson Electric Co. AEG является зарегистрированным товарным знаком, используемым по лицензии компании AB Electrolux (publ).

*Совместимо с принадлежностями FEIN. FEIN является товарным знаком компании C. & E. Fein GmbH.

**Совместимо с принадлежностями DREMEL. DREMEL является товарным знаком компании Robert Bosch Tool Corporation.

ЭКСПЛУАТАЦИЯ

Данное изделие поставляется с дополнительным адаптером для использования насадок для резки, циклевания и шлифовки других производителей. Не используйте адаптер с насадками RYOBI последнего поколения, входящими в комплект поставки инструмента. Например, используйте адаптер с буквами "R&F", смотрящими наружу, если вы хотите использовать насадки RYOBI, RIDGID или AEG более раннего поколения. Адаптер можно перевернуть, чтобы использовать с насадками других производителей.

- Закрепите заготовки зажимом для предотвращения движения во время шлифовки или резки. Никогда не придерживайте заготовку рукой. Самопроизвольное проскальзывание заготовки во время работы изделия может привести к серьезным травмам.
- При врезном шлифовании мягких материалов, таких как древесина и гипсокартон, с помощью режущей насадки постепенно вводите вибрирующее лезвие в заготовку. Не вдавливайте вибрирующее лезвие в обрабатываемый материал. Предоставьте выполнение работы инструменту и уделите все свое внимание обеспечению устойчивости инструмента и расположению детали в необходимом положении.
- Будьте особенно осторожны при резке цветных металлов. Вибрирующее режущее лезвие может соскользнуть, прежде чем начнет резать. Если необходимо, перед началом пиления просверлите несколько отверстий вдоль линии будущего разреза.
- Если режущая насадка застряла в заготовке, выключите изделие и отсоедините его от источника электропитания. Если снять режущую насадку оказывается затруднительно, дайте ей остыть, прежде чем отсоединять от изделия. Работайте в перчатках и используйте ручные инструменты, такие как плоскогубцы и гаечный ключ, чтобы извлечь режущую насадку из заготовки.

МАКСИМАЛЬНАЯ ТОКОВАЯ ЗАЩИТА

При выявлении перенапряжения инструмент автоматически выключается.

В случае остановки изделия отпустите кнопку пуска и нажмите повторно. Изделие должно запуститься вновь.

ТЕХНИЧЕСКОЕ ОБСЛУЖИВАНИЕ

⚠ ОСТОРОЖНО

Прибор ни в коем случае не должен подсоединяться к источнику питания, когда вы разбираете его компоненты, выполняете регулировку, очистку, проводите техническое обслуживание, или когда прибор не используется. Отключение инструмента от источника питания предотвращает его случайный пуск, который может привести к получению тяжелой травмы.

⚠ ОСТОРОЖНО

При выполнении технического обслуживания используйте только оригинальные запчасти, аксессуары и насадки от производителя. Использование других запчастей может представлять опасность или повредить изделия.

- Избегайте использования растворителей во время чистки пластмассовых частей. Многие пластмассы чувствительны к воздействию различных бытовых растворителей и в результате их использования могут разрушиться. Для снятия грязи, пыли и пр. пользуйтесь чистой тряпкой.

⚠ ОСТОРОЖНО

Никогда не допускайте контакта тормозной жидкости, бензина, продуктов на нефтяной основе, пропиточного масла и т. д. с пластмассовыми частями. Эти химикаты содержат вещества, которые могут испортить, ослабить или разрушить пластмассу. Это ведет к тяжелым травмам.

⚠ ОСТОРОЖНО

Для большей безопасности и надежности все ремонтные работы должны проводиться авторизованным сервисным центром.

Пыль от гипсокартона и штукатурки является абразивной и может стать причиной преждевременного выхода изделия из строя, она попадет в двигатель. Тщательно очищайте изделие после использования с помощью щетки или пылесоса. Следите за тем, чтобы грязь не попала в вентиляционные отверстия. Не пользуйтесь сжатым воздухом для очистки изделия, так как вылетающие пыль и песчинки могут привести к травме глаз.

СМАЗКА

Все подшипники в изделии смазаны достаточным количеством высокосортной смазки для продолжительной эксплуатации изделия в нормальных рабочих условиях. Поэтому дополнительная смазка не требуется.

УСЛОВНЫЕ ОБОЗНАЧЕНИЯ



Сигнал опасности



Постоянный ток



Перед использованием прибора внимательно ознакомьтесь с данной инструкцией.



Дерево - Погружные и потайные разрезы



Цветные металлы - Погружные и потайные разрезы



Пластик - Погружные и потайные разрезы



Для снижения риска получения травмы не касайтесь горячих поверхностей.

Утилизация аккумуляторов, электрического и электронного оборудования в месте с несортированными бытовыми отходами не допускается.

Сбор аккумуляторов, электрического и электронного оборудования в целях утилизации должен осуществляться отдельно.

Перед утилизацией необходимо извлечь из оборудования элементы питания, аккумуляторы и источники света.

Уточните порядок утилизации и местонахождение пункта приема у местных властей или поставщика.

Ритейлеры могут быть обязаны бесплатно принимать аккумуляторы, электрическое и электронное оборудование на утилизацию в соответствии с местными регламентами. Ваш вклад в повторную переработку аккумуляторов, а также электрического и электронного оборудования позволит сократить потребность в сырье.

Аккумуляторы, в частности, содержащие литий, а также электрическое и электронное оборудование содержит ценные и подлежащие повторной переработке материалы, которые в случае ненадлежащей утилизации способны вредить экологии и здоровью людей.

Перед утилизацией удалите с оборудования все персональные данные.



Транспортировка:

Категорически не допускается падение и любые механические воздействия на упаковку при транспортировке.

При разгрузке/погрузке не допускается использование любого вида техники, работающей по принципу зажима упаковки.

Хранение:

Необходимо хранить в сухом месте.

Необходимо хранить вдали от источников повышенных температур и воздействия солнечных лучей.

При хранении необходимо избегать резкого перепада температур.

Хранение без упаковки не допускается.

Срок службы изделия:

Срок службы изделия составляет 5 лет.

Не рекомендуется к эксплуатации по истечении 5 лет хранения с даты изготовления без предварительной проверки.

Дата изготовления (код даты) отштампован на поверхности корпуса изделия.

Пример:

W17 Y2015, где Y2015 - год изготовления

W17 – неделя изготовления

Определить месяц изготовления можно согласно приведенной ниже таблице, на примере 2015 года.

Обратите внимание! Количество недель в месяце различается от года в год.

Месяц	Январь	Февраль	Март	Апрель	Май	Июнь	Июль	Август	Сентябрь	Октябрь	Ноябрь	Декабрь	Год
Неделя	01	05	09	14	18	22	27	31	36	40	44	49	2015
	02	06	10	15	19	23	28	32	37	41	45	50	
	03	07	11	16	20	24	29	33	38	42	46	51	
	04	08	12	17	21	25	30	34	39	43	47	52	
	05	09	13	18	22	26	31	35	40	44	48	53	
			14			27							

W przypadku tego multinarzędzia zwrócono szczególną uwagę na zapewnienie bezpieczeństwa, wysokiej wydajności oraz niezawodności.

PRZEZNACZENIE

To multinarzędzie może być używane wyłącznie przez dorosłe osoby, które przeczytały i zrozumiały instrukcje oraz ostrzeżenia podane w tym podręczniku oraz, które mogą odpowiadać za swoje działania.

To multinarzędzie jest przeznaczone do:

- szlifowania i wykańczania metali, drewna, tworzywa sztucznego lub podobnych materiałów, przy użyciu tarczy szlifierskiej z dostarczonymi przyciętymi na wymiar arkuszami papieru ściernego
- skrobienia i szlifowania wgłębnego metali nieżelaznych, drewna, tworzywa sztucznego, tynku itp. przy użyciu dostarczonych metalowych ostrzy tnących
- wycinania otworów w ścianach do montażu włączników lub gniazd elektrycznych
- usuwania zaprawy spomiędzy płytek ceramicznych

Multinarzędzie jest przeznaczone do pracy wewnątrz pomieszczeń, w suchym, dobrze oświetlonym i wentylowanym miejscu.

Produkt nie jest przeznaczony do stosowania na mokrych materiałach i powierzchniach.

Nie należy używać tego produktu niezgodnie z przeznaczeniem.

⚠ OSTRZEŻENIE

Prosimy o uważne zapoznanie się z ostrzeżeniami, instrukcjami i specyfikacjami dostarczonymi z tym narzędziem oraz z zawartymi w nich ilustracjami. Nie przestrzeganie przedstawionych niżej zaleceń mogłoby pociągnąć za sobą wypadki takie jak pożary, porażenia prądem elektrycznym i /lub poważne obrażenia ciała.

Zachowaj wszystkie ostrzeżenia i instrukcje do wykorzystania w przyszłości.

OSTRZEŻENIA DOTYCZĄCE MULTINARZĘDZIA ZWIĄZANE Z BEZPIECZEŃSTWEM

- **Urządzenie elektryczne należy trzymać za izolowany uchwyt, gdy zachodzi ryzyko przewiercenia przewodu pod napięciem.** Kontakt z przewodem pod napięciem może spowodować przepływ prądu przez metalowe elementy urządzenia i porażenie operatora.
- Podczas korzystania z narzędzia zawsze należy nosić okulary ochronne. W przypadku pylenia należy nosić maskę przeciwpyłową.

⚠ OSTRZEŻENIE

Pył z określonych farb, powłok oraz materiałów może powodować podrażnienie lub reakcje alergiczne układu oddechowego. Pył z drzew takich jak dąb, brzoza, z płyt MDF itp. jest rakotwórczy. W przypadku obróbki materiałów zawierających azbest produkt może być używany wyłącznie przez wykwalifikowanych specjalistów

⚠ OSTRZEŻENIE

Produkt nigdy nie może być podłączony do źródła zasilania podczas montażu części, regulacji, czyszczenia, konserwacji lub gdy nie jest używany. Odłączenie produktu od zasilania pozwala zapobiec przypadkowemu uruchomieniu, które mogłoby spowodować obrażenia.

- Przy wykonywaniu prac na ścianach, sufitach lub podłogach należy unikać kontaktu z przewodami elektrycznymi oraz rurami gazowymi i wodnymi.

⚠ OSTRZEŻENIE

Metalowe akcesoria mocno nagrzewają się podczas pracy i w przypadku dotknięcia przez operatora mogą spowodować oparzenia. Podczas zmiany akcesoriów należy nosić rękawice.

Należy zachować ostrożność przy odkładaniu narzędzia, aby nie spowodować uszkodzenia lub urazu ciała.

- Nie stosować akcesoriów tnących, które są uszkodzone, pęknięte lub nie pasują do produktu.
- Produkt wytwarza wibracje, które powodują przemieszczanie się akcesorium. Wibracje te mogą powodować dyskomfort, jeśli produkt będzie używany przez dłuższy okres. Należy często odpoczywać, zwłaszcza w przypadku występowania dyskomfortu w ramieniu, nadgarstku lub palcach. Należy wybrać ustawienie prędkości, które zapewni efektywne wykonanie danej pracy. Więcej informacji na temat urazów spowodowanych wibracjami można znaleźć w sekcjach Dodatkowe zagrożenia oraz Ograniczenie zagrożenia.

- **Obrabiany element należy zamocować za pomocą zacisku.** Niezabezpieczone elementy mogą spowodować poważne obrażenia ciała i uszkodzenia. Nie trzymać szlifowanego materiału rękoma.

- **Arkusz okładziny ścierniej nie powinien być za duży.** Jeżeli zostawicie okładzinę ścierną o większym wymiarze niż płyta szlifierska, narażacie się na poważne okaleczenie.

- Zakładajcie zawsze szczelne okulary ochronne i maskę przeciwpyłową podczas szlifowania, a w szczególności kiedy trzymacie szlifierkę nad głową.

- Kiedy szlifujecie powierzchnie pokryte farbą na bazie ołowiu, czy niektóre drewna i metale, powinniście zakładać odpowiednią maskę przeciwpyłową w celu uniknięcia wdychania pyłu czy toksycznych oparów.

- Pył wytwarzany podczas korzystania z produktu może być niebezpieczny dla zdrowia. Ani operator, ani osoby znajdujące się w pobliżu nie powinni dotykać ani wdychać pyłu. Nosić odpowiednią maskę przeciwpyłową.

- Nie obrabiać materiałów niebezpiecznych dla zdrowia (np. azbestu).

- Zakres temperatury otoczenia dla narzędzia podczas eksploatacji to od 0°C do 40°C.

- Zakres temperatury otoczenia dla narzędzia podczas przechowywania to od 0°C do 40°C.

- Zalecany zakres temperatury otoczenia dla układu ładującego podczas ładowania to od 10°C do 38°C.

AKUMULATOR — DODATKOWE OSTRZEŻENIA DOTYCZĄCE BEZPIECZEŃSTWA

⚠ OSTRZEŻENIE

Aby uniknąć niebezpieczeństwa pożaru, obrażeń lub uszkodzeń produktu na skutek zwarcia, nie wolno zanurzać narzędzia, akumulatora wymiennego ani ładowarki w cieczach i należy zatroszczyć się o to, aby do urządzeń i akumulatorów nie dostały się żadne cieczce. Zwarcie spowodować mogą korodujące lub przewodzące cieczce, takie jak woda morska, określone chemikalia i wybielacze lub produkty zawierające wybielacze.

- Zakres temperatury otoczenia dla akumulatora podczas eksploatacji to od 0°C do 40°C.
- Zakres temperatury otoczenia dla akumulatora podczas przechowywania to od 0°C do 20°C.

TRANSPORTOWANIE AKUMULATORÓW LITOWYCH

Akumulatory należy transportować zgodnie z lokalnymi i krajowymi przepisami i regulacjami.

Należy postępować zgodnie z wszystkimi specjalnymi wymaganiami dotyczącymi pakowania i etykietowania akumulatorów podczas transportu przez stronę trzecią. Upewnij się, że żadne akumulatory nie zetkną się z innymi akumulatorami lub materiałami przewodzącymi podczas transportu. W tym celu należy zabezpieczyć odkryte złącza nieprzewodzącymi nakładkami izolacyjnymi lub taśmą izolacyjną. Nie należy transportować pękniętych ani nieszczelnych akumulatorów. Szczegółowe porady można uzyskać w firmie spedycyjnej.

RYZYKO ZWIĄZANE Z UŻYTKOWANIEM

Nawet jeśli produkt jest używany zgodnie z zaleceniami, nadal nie jest możliwe wyeliminowanie określonych czynników ryzyka. Następujące zagrożenia mogą wystąpić podczas używania urządzenia i operator powinien zwracać szczególną uwagę na poniższe punkty:

- Urazy ciała spowodowane pyłem
 - Stosować przez cały czas środki ochrony oczu.
 - Należy nosić maskę ochronną z filtrem odpowiednim do obrabianego materiału. Należy zapewnić odpowiednią wentylację miejsca pracy.
 - Nie jeść, nie pić i nie palić w miejscu pracy.
- Urazy spowodowane hałasem i wibracjami
 - Stosować środki ochrony słuchu
 - Nie należy używać produktu przez dłuższy czas. Patrz "Ograniczenie Ryzyka".
- Ryzyko śmiertelnego porażenia prądem elektrycznym w przypadku przecięcia kabli elektrycznych
 - Produkt zawsze należy trzymać za odpowiednie uchwyty. Nie dotykać ostrzy tnących ani metalowych części produktu.

OGRANICZENIE RYZYKA

Znane są przypadki wywołania u niektórych osób objawu Raynauda spowodowanego wibracjami ręcznych narzędzi. Typowe objawy to mrowienie, drżnienie i blednięcie palców, widoczne zwykle po wystawieniu na działanie zimna. Uważa się, że czynniki dziedziczne, wystawienie na

działanie zimna i wilgoci, dieta, palenie papierosów i przyjęte zwyczaje przyczyniają się do rozwoju tych objawów. Istnieją środki zaradcze, które może podjąć operator narzędzia, aby zmniejszyć efekt wibracji:

- Zadbaj w niskich temperaturach o ciepłotę własnego ciała, zakładając odpowiednie ubranie. Podczas obsługi urządzenia należy nosić rękawice, aby dłonie i nadgarstki były ciepłe. Wiadomo, że niskie temperatury są główną przyczyną powstawania objawu Raynauda.
- Podczas przerw w pracy należy wykonywać ćwiczenia poprawiające krążenie krwi..
- Podczas pracy robić częste przerwy. Ograniczyć ekspozycję w ciągu dnia.

W razie doświadczenia dowolnego z wymienionych objawów, należy niezwłocznie zaprzestać użytkowania tego urządzenia i skontaktować się z lekarzem.

⚠ OSTRZEŻENIE

Długotrwałe użytkowanie narzędzia może spowodować obrażenia ciała lub nasilić dolegliwości zdrowotne. W przypadku używania narzędzia przed dłuższy czas należy pamiętać o regularnych przerwach.

INFORMACJE O PRODUKCIE

Patrz strona 93.

1. Zacisk ostrza
2. Dźwignia blokady/zwalniania ostrza
3. Przycisk zwalniania regulacji kąta głowicy
4. Kontrolowanie prędkości
5. Przelącznik W-Wył
6. Przelącznik blokady
7. Ostrze do cięcia wglębnego
8. 88 mm Ostrze do cięcia brzegowego
9. Płyta szlifierska
10. Papier ścierny
11. Adapter */**
12. Gniazdo akumulatora
13. Uchwyt, izolowana powierzchnia chwytna

*Produkt zgodny z wcześniejszymi generacjami akcesoriów RYOBI, RIDGID oraz AEG. RYOBI jest znakiem towarowym na licencji Ryobi Limited. RIDGID jest znakiem towarowym na licencji Emerson Electric Co. AEG jest zarejestrowanym znakiem towarowym na licencji AB Electrolux (publ).

**Zgodny z akcesoriami FEIN. FEIN jest znakiem towarowym na licencji C. & E. Fein GmbH.

***Zgodny z akcesoriami DREMEL. DREMEL jest znakiem towarowym Robert Bosch Tool Corporation.

OBSŁUGA

Produkt jest dostarczony z dodatkowym adapterem umożliwiającym używanie akcesoriów do cięcia, skrobania i szlifowania innych producentów. Nie używać adaptera z akcesoriami RYOBI najnowszej generacji dostarczonymi z narzędziem. Na przykład należy używać adaptera z literami „R&F” skierowanymi na zewnątrz w przypadku wcześniejszej generacji akcesoriów RYOBI, RIDGID lub AEG. Adapter można obrócić, aby umożliwić używanie akcesoriów innych marek.

- Zamocować obrabiany element przy użyciu zacisku, aby uniemożliwić jego poruszanie podczas szlifowania lub cięcia. Nie wolno trzymać obrabianego elementu w

rękach. Przypadkowe przesunięcie produktu podczas pracy może spowodować poważne obrażenia ciała.

- W przypadku wykonywania cięcia wglębnego w miękkich materiałach, takich jak drewno i tynku, przy użyciu akcesoriów tnących, należy stopniowo zbliżać wibrujące ostrze do obrabianego elementu. Nie należy dociskać mocno wibrującego ostrza do ciętego materiału. W trakcie pracy nie należy wymuszać ruchu produktu, skupiając się na stabilnym utrzymaniu produktu i akcesorium tnącego w położeniu, w którym ma zostać wykonane cięcie.
- Należy zachować ostrożność podczas cięcia metali nieżelaznych. Wibrujące ostrze tnące może gwałtownie odskoczyć przed rozpoczęciem cięcia. W razie potrzeby nawiercić kilka otworów wzdłuż linii cięcia przed jego rozpoczęciem.
- W przypadku zablokowania się akcesoriów tnących w obrabianym elemencie należy wyłączyć produkt i odłączyć go od źródła zasilania. Jeśli nie można zwolnić ostrza tnącego, należy poczekać aż ostrze ostygnie, a następnie spróbować wyjąć je z produktu. Przy usuwaniu ostrza tnącego z obrabianego elementu należy używać rękawic i ręcznych narzędzi, takich jak kombinerki i klucz.

ZABEZPIECZENIE NADPRĄDOWE

W przypadku wykrycia prądu o zbyt wysokim natężeniu produkt automatycznie się wyłączy.

Jeśli produkt przestanie działać, zwolnić spust, a następnie wcisnąć go ponownie. Produkt powinien ponownie zacząć pracować.

KONSERWACJA

⚠ OSTRZEŻENIE

Produkt nigdy nie może być podłączony do źródła zasilania podczas montażu części, regulacji, czyszczenia, konserwacji lub gdy nie jest używany. Odłączenie produktu od zasilania pozwala zapobiec przypadkowemu uruchomieniu, które mogłyby spowodować obrażenia.

⚠ OSTRZEŻENIE

W przypadku serwisowania należy stosować wyłącznie oryginalne części zamienne, akcesoria oraz osprzęt producenta. Użycie jakiegokolwiek innej części mogłoby spowodować zagrożenie lub też uszkodzić wasze narzędzie.

- Nie stosować rozpuszczalników do czyszczenia elementów plastikowych. Większość tworzyw sztucznych, mogłyby zostać uszkodzone przez użycie rozpuszczalników dostępnych w sprzedaży. Używajcie czystszej szmatki do mycia zabrudzeń, pyłu, itd.

⚠ OSTRZEŻENIE

Nie wolno dopuścić do kontaktu plastikowych części z płynem hamulcowym, benzyną, produktami ropopochodnymi, olejami penetrującymi itp. Te produkty chemiczne zawierają substancje, które mogłyby uszkodzić, osłabić lub zniszczyć plastik, co mogłoby spowodować poważne zranienie.

⚠ OSTRZEŻENIE

Aby zapewnić wyższy poziom bezpieczeństwa i niezawodności, wszystkie naprawy powinny być przeprowadzane przez autoryzowany punkt serwisowy.

Pył z tynku oraz płyt ściennych ma właściwości ścierne i może powodować przedwczesną usterkę produktu, jeśli dostanie się do silnika. Po użyciu produkt należy dokładnie wyczyścić przy użyciu szczotki i odkurzacza. Należy zwrócić uwagę, aby zanieczyszczenia nie przedostały się do otworów wentylacyjnych. Nie używać sprężonego powietrza do czyszczenia produktu, ponieważ pył i zanieczyszczenia mechaniczne mogą spowodować poważne urazy oczu.

SMAROWANIE

Wszystkie łożyska produktu są smarowane przy użyciu odpowiedniej ilości wysokiej jakości smaru na cały okres eksploatacji produktu przy uwzględnieniu normalnych warunków roboczych. W wyniku czego, nie zachodzi potrzeba dodatkowego smarowania.

SYMBOLE



Uwaga dotycząca bezpieczeństwa



Prąd stały



Przed uruchomieniem urządzenia prosimy uważnie przeczytać instrukcję



Drewno — cięcie wglębne i powierzchniowe



Metal nieżelazny — cięcie wglębne i powierzchniowe



Tworzywa sztuczne — cięcie wglębne i powierzchniowe



W celu ograniczenia ryzyka obrażeń lub uszkodzeń unikać kontaktu z gorącymi powierzchniami.

Zużytego sprzętu elektrycznego i elektronicznego, w tym zużytych baterii i akumulatorów, nie należy wyrzucać jako nieposortowanych odpadów komunalnych. Zużyty sprzęt elektryczny i elektroniczny, w tym zużyte baterie i akumulatory, musi być gromadzony osobno.

Zużyte baterie, akumulatory i źródła światła muszą zostać usunięte ze sprzętu.

Skontaktować się z lokalnymi władzami lub sprzedawcą detalicznym w celu uzyskania porad dotyczących recyklingu i punktu zbiórki odpadów.

Zgodnie z lokalnymi przepisami sprzedawcy detaliczni mogą być zobowiązani do nieodpłatnego odbioru zużytego sprzętu elektrycznego i elektronicznego, w tym baterii i akumulatorów.



Państwa wkład w ponowne wykorzystanie i recykling zużytego sprzętu elektrycznego i elektronicznego, w tym baterii i akumulatorów, pomaga zmniejszyć zapotrzebowanie na surowce.

Zużyte baterie i akumulatory — w szczególności zawierające lit — a także pozostały sprzęt elektryczny i elektroniczny, zawierają nadające się do recyklingu i cenne materiały i surowce, które mogą mieć negatywny wpływ na środowisko naturalne i zdrowie ludzkie, jeśli nie są usuwane w sposób przyjazny dla środowiska naturalnego.

Z utylizowanego sprzętu należy usunąć wszelkie ewentualne dane osobowe.

Bezpečnost, výkon a spolehlivost byli hlavní prioritou při návrhu multifunkčního nářadí.

ZAMÝŠLENÉ POUŽITÍ

Toto multifunkčního nářadí je určeno pouze pro používání dospělými osobami, které si přečetly a řádně pochopily pokyny a varování v této příručce a jsou zodpovědné za své konání.

Multifunkční nářadí je určeno k následujícímu použití:

- broušení a konečná úprava kovu, dřeva, plastu nebo podobných materiálů pomocí brusného talíře s dodanými tvarovanými brusnými listy;
- drhnutí a ponornému řezání do neželezných kovů, dřeva, plastu, sádrokartonu atd. pomocí dodaných kovových řezacích nožů;
- řezání otvorů do stěn za účelem zabudování vypínačů nebo zásuvek;
- odstranění malty z prostoru mezi keramickými obklady.

Multifunkční nářadí je určeno pro provoz v interiéru, a to v suchém, dobře osvětleném a dostatečně větraném místě.

Není určeno pro používání na mokřých materiálech a plochách.

Nepoužívejte výrobek jinak než je uvedeno v určeném použití.

VAROVÁNÍ

Přečtěte si pozorně upozornění, pokyny a technické specifikace dané s nářadím a prohlédněte si ilustrace. Nedodržení uvedených pokynů může způsobit požár, úraz elektrickým proudem a/nebo jiné vážné zranění.

Ušchovejte si všechny pokyny a varování pro budoucí nahlédnutí.

BEZPEČNOSTNÍ UPOZORNĚNÍ TÝKAJÍCÍ SE MULTIFUNKČNÍHO NÁŘADÍ

- **Držte elektricky poháněný nástroj za izolované úchopové plochy, když nástroj používáte s vrtacím příslušenstvím, které může přijít do styku se skrytými vodiči.** Kontakt s „živým“ vodičem způsobí, že kovové části elektricky poháněného nástroje se stanou také „živými“ a způsobí elektrický úraz obsluze.
- Při práci s nářadím vždy používejte ochranné brýle. Pokud při práci dochází k tvorbě prachu, používejte masku proti prachu.

VAROVÁNÍ

Prach z určitých barev, laků a materiálů může způsobit podráždění nebo alergické reakce na dýchací ústrojí. Prach ze dřeva, jako je dub, buk, překližka a jiných, je karcinogenní. Při opracování materiálů obsahujících azbest by měli produkt používat pouze kvalifikovaní odborníci.

VAROVÁNÍ

Výrobek nikdy nepřipojujte ke zdroji napájení, když se montují díly, provádí seřizování, čištění, údržba nebo když se nepoužívá. Odpojení nářadí od zdroje energie zabrání nechtěnému spuštění, které by mohlo způsobit vážné poranění.

- Při práci na stěnách, stropěch nebo podlahách buďte opatrní a vyhněte se elektrickým kabelům a plynovému nebo vodnímu potrubí.

VAROVÁNÍ

Při práci se kovové příslušenství zahřeje a při kontaktu s ním může dojít k popálení kůže. Při výměně příslušenství si nasadte rukavice.

Buďte opatrní, jestliže mezi jednotlivými operacemi pokládáte nářadí dolů, aby nedošlo k poškození nebo zranění.

- Nepoužívejte řezací příslušenství, které je poškozené, prasklé nebo jej nelze bezpečně do výrobku uchytit.
- Nářadí vytváří chvění, které se přenáší na nástroj. Toto chvění může být při dlouhém používání nářadí nepříjemné. Dělejte časté přestávky, obzvláště při nepříjemných pocitech v paži, zápěstí nebo prstech. Zvolte takové nastavení rychlosti, aby práce byla efektivně dokončena. Více informací o úrazech spojených s vibracemi naleznete v částech Zůstatková rizika a Snížení rizik.
- **Upínadlo obrobku s upínacím zařízením.** Neupnuté obrobky mohou způsobit vážné zranění nebo škody na majetku. Nedržte materiál, který se brousí rukou.
- **Nikdy nepoužívejte příliš velký brusný papír.** Pokud brusný papír přesahuje brusný talíř, vystavujete se nebezpečí vážného úrazu.
- Při broušení používejte bezpečnostní brýle a obličejový štít, zejména pokud používáte brusku k práci nad hlavou.
- Při broušení barev s obsahem olova, při opracování povrchu dřeva a při leštění kovu používejte vhodný protiprašný respirátor, abyste nevdechovali prach z odbroušeného materiálu, který může být u některých druhů dřeva a kovů toxický.
- Prach a piliny vznikající při používání výrobku mohou představovat zdravotní riziko pro uživatele a osoby v okolí. Uživatel a osoby v okolí nesmějí prach a piliny vdechovat. Používejte vhodnou protiprachovou ochrannou masku.
- Neobrábějte materiály, které mohou představovat zdravotní rizika (například azbest).
- Rozsah teplot okolí při používání nástroje je od 0 °C do 40 °C.
- Rozsah teplot okolí při skladování nástroje je od 0 °C do 40 °C.
- Rozsah doporučených teplot okolí při používání systému nabíjení akumulátoru je od 10 °C do 38 °C.

DOPLŇJÍCÍ BEZPEČNOSTNÍ UPOZORNĚNÍ K BATERII

⚠ VAROVÁNÍ

Abyste zabránili nebezpečí požáru způsobeného zkratem, poraněním nebo poškozením výrobku, neponořujte nářadí, výměnnou baterii nebo nabíječku do kapalín a zajistěte, aby do zařízení a akumulátorů nevnikly žádné tekutiny. Korodující nebo vodivé kapaliny, jako je slaná voda, určité chemikálie a bělicí prostředky nebo výrobky, které obsahují bělidlo, mohou způsobit zkrat.

- Rozsah provozních teplot okolí akumulátoru je od 0 °C do 40 °C.
- Rozsah skladovacích teplot okolí akumulátoru je od 0 °C do 20 °C.

TRANSPORT LITHIOVÝCH BATERIÍ

Přenos baterie dle místních a národních opatření a předpisů.

Dodržujte všechny zvláštní požadavky na balení a značení při transportu baterií třetí stranou. Zajistěte, aby žádné baterie nepřišly do kontaktu s jinými bateriemi nebo vodivými materiály při transportu pomocí nechráněných kontaktů prostřednictvím izolace, nevodivých krytek či lepicích pásek. Nepřepravujte prasklé nebo baterie s unikajícím elektrolytem. Ptejte se u zásilkové společnosti na další radu.

ZBYTKOVÁ RIZIKA

Dokonce, i když se výrobek provozuje jak je předepsáno, je stále nemožné zcela eliminovat veškeré zbytkové rizikové faktory. Následující nebezpečí mohou nastat při používání; vyhýbejte se:

- Zranění způsobené prachem
 - Vždy noste adekvátní ochranu zraku.
 - Noste dýchací masky obsahující filtry vhodné pro obráběné materiály. Zajistit dostatečné větrání pracoviště.
 - V pracovní oblasti výrobku nejíst, nepít, ani nekouřit.
- zranění způsobená hlukem a vibracemi
 - Noste ochranu sluchu
 - Neprovozujte produkt příliš dlouhou dobu. Viz "Snižování Rizik".
- Nebezpečí úrazu elektrickým proudem, dojde-li k nařazení elektrických kabelů
 - Vždy držte výrobek za určené rukojeti. Nedotýkejte se řezacích nožů ani kovových částí výrobku.

SNÍŽENÍ RIZIKA

Bylo zjištěno, že vibrace z nástrojů mohou u některých osob přispívat ke stavu tzv. Raynaud's Syndrome (Raynaudovu syndromu). Mezi jeho příznaky patří brnění, necitlivost a zblednutí prstů, patrně obvykle po pobytu v chladu. Vědci se domnívají, že k rozvoji těchto příznaků přispívají dědičné faktory, pobyt v chladu a vlhku, strava, kouření a pracovní návyky. Uživatel může omezit případné působení vibrací použitím vhodných opatření:

- Za chladného počasí se teple oblečte. Při práci s nástrojem si navlékněte rukavice, abyste udrželi ruce a zápěstí v teple. Bylo zjištěno, že chladné počasí je

hlavním faktorem přispívajícím k Raynaud's Syndrome (Raynaudovu syndromu).

- Během práce si v pravidelných intervalech zacvičte, abyste zvýšili krevní oběh.
- Zařazujte časté pracovní přestávky. Omezte dobu práce za den.

Jakmile pocítíte některý z výše uvedených příznaků tohoto syndromu, okamžitě přerušete práci a vyhledejte lékaře.

⚠ VAROVÁNÍ

Poranění mohou být způsobena, či zhoršena, prodlouženým používáním nástroje. Když používáte jakýkoliv nástroj delší dobu, dělejte pravidelné přestávky.

SEZNAMTE SE S VÝROBKEM

Viz strana 93.

1. Svorka čepele
2. Páčka pro aretaci/uvolnění čepele
3. Uvolňovací tlačítko nastavení úhlu hlavy
4. Kontrola otáček
5. Spínač On/Off (Zapnuto/Vypnuto)
6. Aretované tlačítko zapínání
7. Ponorný pilový list
8. 88 mm ořezávací pilový kotouč na dřevo a kov
9. Brusná plocha
10. Smirkový papír
11. Adaptér */**
12. Otvor pro baterie
13. Rukojeť s izolací a protiskluzovým povrchem

*Kompatibilní se staršími generacemi příslušenství RYOBI, RIDGID a AEG. RYOBI je ochranná známka používaná na základě licence od společnosti Ryobi Limited. RIDGID je ochranná známka společnosti Emerson Electric Co. AEG je ochranná známka používaná na základě licence od společnosti AB Electrolux (publ).

*Kompatibilní s příslušenstvím FEIN. FEIN je ochranná známka společnosti C. & E. Fein GmbH.

**Kompatibilní s příslušenstvím DREMEL. DREMEL je ochranná známka společnosti Robert Bosch Tool Corporation.

OBSLUHA

Výrobek je dodáván s dodatečným adaptérem, který umožňuje pro řezání, škrábání a broušení nasadit příslušenství také jiných značek. Adaptér nepoužívejte pro nejnovější generaci příslušenství RYOBI dodávaného k tomuto nářadí. Adaptér například použijte tak, aby písmena „R&F“ směřovala ven, pokud chcete používat dřívější generaci příslušenství RYOBI, RIDGID nebo AEG. Adaptér lze obrátit, chcete-li použít příslušenství jiných značek.

- Zajistěte obrobek svorkou, aby se při broušení nebo řezání nepohyboval. Obrobek nikdy nadržte rukou. Neúmyslné smeknutí při práci s výrobkem může způsobit vážné zranění.
- Při provádění zapichovacího řezu do měkkých materiálů, jako je dřevo a sádrokarton pomocí řezacího příslušenství, postupně vedte vibrační čepel k obrobku. Netlačte vibrační čepel příliš silně do řezaného materiálu. Nechte nářadí dělat svoji práci a soustřeďte se na udržování stability nářadí i řezného nástroje

v poloze, v které chcete provést řez.

- Při řezání do neželezných kovů dbejte zvýšené opatrnosti. Vibrační řezací čepel může před zahájením řezání přeskočit. V případě potřeby vyvrtejte podél linie řezu před jeho provedením několik otvorů.
- Pokud řezací příslušenství v obrobku uvízne, výrobek vypněte a odpojte od elektrické sítě. V případě, že řezací příslušenství není možné snadno vyjmout, nechte ho před vyjmutím z výrobku dostatečně zchladit. Používejte ochranné rukavice a k vyjmutí řezacího příslušenství z obrobku použijte ruční nářadí, jako jsou kleště a klíč.

NADPROUDOVÁ OCHRANA

Při zjištění nadproudu se nástroj automaticky vypne.

Pokud se chod nástroje zastaví, uvolněte spoušť a znovu ji stiskněte. Chod nástroje by se měl obnovit.

ÚDRŽBA

VAROVÁNÍ

Výrobek nikdy nepřipojujte ke zdroji napájení, když se montují díly, provádí seřizování, čištění, údržba nebo když se nepoužívá. Odpojení nářadí od zdroje energie zabrání nechtěnému spuštění, které by mohlo způsobit vážné poranění.

VAROVÁNÍ

Při provádění servisu používejte pouze originální příslušenství, doplňky a náhradní díly výrobce. Použití jakýchkoliv jiných dílů může vytvořit nebezpečí nebo způsobit poškození výrobku.

- Vyhněte se používání rozpouštědel, když čistíte plastové díly. Většina ředidel běžně dostupných v obchodní síti se nehodí k čištění plastových částí, neboť narušuje povrch plastů. K odstranění nečistot, prachu apod. použijte čistý hadr.

VAROVÁNÍ

Nikdy nenechte přijít brzdové kapaliny, petrolej, výrobky založené na petroleji, pronikavé oleje, atd. do kontaktu s plastovými součástmi. Tyto výrobky obsahují chemikálie, které mohou poškodit, oslabit nebo zničit plastové části, případně snížit jejich životnost a být příčinou úrazu.

VAROVÁNÍ

Pro lepší bezpečnost a bezporuchovost by mělo opravy provádět pověřené autorizované servisní středisko.

Prach z omítky a z desek stěn palubě je abrazivní a může způsobit předčasné selhání výrobku nebo se může dostat do prostoru motoru. Po použití výrobek důkladně očistěte kartáčem a vysavačem. Dávejte pozor, aby se nečistoty nedostaly do ventilačních otvorů. Nepoužívejte stlačený vzduch k čištění produktu, protože prach a drť může způsobit vážné zranění očí.

MAZÁNÍ

Veškerá ložiska nářadí byla výrobcem namazána dostatečným množstvím vysoce účinného maziva, které stačí na celou dobu životnosti produktu při normálních podmínkách používání. Žádné další mazání nářadiny nutně.

SYMBOLY



Bezpečnostní výstraha



Stejnoseměrný proud



Před spuštěním přístroje si řádně přečtěte pokyny.



Dřevo – ponorné řezy a ořezy



Neželezné kovy – ponorné řezy a ořezy



Plasty – ponorné řezy a ořezy



Abyste předešli riziku úrazu nebo poškození, vyhněte se kontaktu s horkými povrchy.

Nelikvidujte vybité baterie a elektrické a elektronické zařízení společně s netříděným komunálním odpadem.

Vybité baterie a elektrický a elektronický odpad musí být shromažďovány odděleně.

Vybité baterie, akumulátory a odpadní světelné zdroje musí být od zařízení odděleny. Zjistěte si u místní samosprávy nebo u maloobchodníka, jaké jsou pokyny k recyklaci a kde je sběrné místo.

Podle místních nařízení mohou mít maloobchodníci povinnost brát bezplatně zpět vybité baterie, elektrický a elektronický odpad. Když budete přispívat k opětnému použití a recyklaci vybitých baterií a elektrického a elektronického odpadu, pomůže to snížit potřebu suroviny.

Vybité baterie, zejména ty s obsahem lithia, elektrický a elektronický odpad obsahují cenné a recyklovatelné materiály, které mohou mít nepříznivý dopad na životní prostředí a lidské zdraví, nebudou-li zlikvidovány ekologickým způsobem.

Odstraňte z odpadu osobní údaje, pokud nějaké obsahuje.



A multiszerszám tervezésekor a biztonság, a teljesítmény és a megbízhatóság voltak a legfontosabb szempontok.

RENDELTETÉSSZERŰ HASZNÁLAT

Ezt a multiszerszámot csak felnőttek használhatják, akik elolvasták és megértették a kézikönyvben lévő utasításokat és figyelmeztetéseket, és felelősnek lehet őket tekinteni a tetteikért.

A multiszerszám a következőkre használható:

- fém, fa, műanyag és más hasonló anyagok csiszolása és polírozása a mellékelt csiszolóeszközre felhelyezett csiszolólapokkal.
- marás és beszűrő vágás színesfém, fa, műanyag, gipszkarton stb. anyagokba a mellékelt fém vágókésekkel
- furatok vágása falakba kapcsolók vagy hálózati aljzatok elhelyezéséhez
- kerámia csempék közötti fuga eltávolítása

A multiszerszám beltérben való használatra alkalmas, száraz, jól megvilágított és megfelelően szellőztetett körülmények között.

A termék nem alkalmas nedves anyagokon és felületeken való használatra.

Ne használja a terméket a rendeltetésétől eltérő célra.

⚠ FIGYELEM

Figyelmesen olvassa el az ehhez a szerszámhoz mellékelt összes figyelmeztetést, utasítást és műszaki adatokat, valamint tanulmányozza az ábrákat is. Az alább részletezett előírások be nem tartása olyan baleseteket okozhat, mint pl. tűz, áramütés és/vagy súlyos testi sérülések.

A jövőbeli felhasználásra őrizze meg az összes figyelmeztetést és útmutatót.

MULTISZERSZÁMRA VONATKOZÓ BIZTONSÁGI FIGYELMEZTETÉSEK

- **A szerszámgépet a szigetelt felületén fogja, ha olyan műveletet végez vele, melynek során rejtett, feszültség alatt lévő vezeték is elvágható.** A feszültség alatt lévő vezetékkel történő érintkezés során a szerszám fém alkatrészei áram alá kerülhetnek, minek következtében a kezelőt áramütés érheti.
- Mindig viseljen szemvédőt a szerszám használata során. Por keletkezésekor viseljen pormaszkot.

⚠ FIGYELEM

Bizonyos festékekből, bevonatokból és anyagokból a por irritációt vagy allergiás reakciót válthat ki a légzőrendszerben. A fából, pl. tölgy, bükk, MDF stb. származó por rákkeltő. Csak képzett szakemberek használhatják a terméket azbesztet tartalmazó anyagokon.

⚠ FIGYELEM

Alkatrészek szerelésekor, beállítások végzésekor, tisztításkor, karbantartás végzésekor, illetve használaton kívül mindig húzza ki a gépet az elektromos hálózatról. Ha a terméket leválasztja az áramellátásról, megakadályozza a véletlen elindítást, ami komoly sérülést okozhat.

- Ha falon, mennyezeten vagy padlón dolgozik, vigyázzon az azokban található elektromos kábelekkel, gáz- és vízcsővekkel.

⚠ FIGYELEM

Fém tartozékok a használat során felgyorsodnak, és a kezelővel való érintkezéskor a bőr égését okozhatják. A tartozékok cseréjekor viseljen kesztyűt.

A sérülések vagy károsodások elkerülése érdekében figyeljen oda, amikor leteszi a szerszámot a műveletek között.

- Ne használjon sérült, repedt vagy olyan vágóeszközöket, melyek nem illeszkednek biztonságosan a termékre.
- A termék rezgést hoz létre, ami a kelléket mozgatja. A rezgő mozgás kellemetlen érzést okozhat, ha a terméket hosszú időn át használja. Gyakran tartson pihenőt, különösen, ha a karjában, csuklójában vagy ujjaiában kellemetlen érzést tapasztal. Válasszon a munka hatékony elvégzéséhez megfelelő fordulatszám-beállítást. Olvassa el a Fennmaradó kockázat és Kockázatcsökkentés részeket a vibrációval kapcsolatos sérülésekre vonatkozó további információikért.
- **Szorítsa le a munkadarabot egy szorítóval.** A nem rögzített munkadarabok súlyos sérüléseket és károkat okozhatnak. Ne fogja az éppen csiszolt anyagot a kezében.
- **Ügyeljen arra, hogy a csiszolólap mérete ne legyen túl nagy.** A túl nagy csiszolólap balesetet okozhat.
- Hordjon mindig álarcot és légálló szemüveget csiszolás közben, különös képen ha magasban, a gépet a feje felett tartva dolgozik.
- Hordjon a célnak megfelelő (gáz)álarcot ha ólmot tartalmazó festékkel fedett tárgyat, illetve ha bizonyos fa- vagy fémterméket csiszol.
- A termék használata során keletkező por káros lehet a felhasználó és a körülötte állók egészségére. A felhasználó és a körülötte állók ne érintsék meg és ne lélegezzék be a port. Viseljen megfelelő porvédő maszkot.
- Ne munkáljon meg az egészségre veszélyt jelentő anyagokat (mint pl. azbeszt).
- Az eszköz környezeti hőmérséklet-tartománya a működés során: 0°C - 40°C.
- Az eszköz környezeti hőmérséklet-tartománya a tárolás során: 0°C - 40°C.
- A töltőrendszer ajánlott környezeti hőmérséklet-tartománya töltés során: 10°C - 38°C.

AZ AKKUMULÁTOR KIEGÉSZÍTŐ BIZTONSÁGI FIGYELMEZTETÉSEI

▲ FIGYELEM

A rövidzárlat általi tűz, sérülések vagy termékkárosodások veszélye elkerülésére ne merítse a szerszámot, a cserélhető akkut vagy a töltőkészüléket folyadékokba, és gondoskodjon arról, hogy ne hatoljanak folyadékok a készülékekbe és az akkukba. A korrozív hatású vagy vezetőképes folyadékok, mint pl. a sós víz, bizonyos vegyi anyagok, fehérítők vagy fehérítő tartalmú termékek, rövidzárlatot okozhatnak.

- Az akkumulátor környezeti hőmérséklet-tartománya a használat során: 0°C - 40°C.
- Az akkumulátor környezeti hőmérséklet-tartománya a tárolás során: 0°C - 20°C.

LÍTIUM AKKUMULÁTOROK SZÁLLÍTÁSA

Az akkumulátorokat a helyi és nemzeti előírásokkal és szabályokkal összhangban szállítsa.

Az elemek külső fél általi szállításakor kövesse a csomagolásra és a címkézésre vonatkozó speciális előírásokat. Ügyeljen arra, hogy az akkumulátorok ne érhessenek más akkumulátorokhoz vagy vezető anyagokhoz szállítás közben; ehhez a szabadon maradt csatlakozókat védje szigetelő fedéllel vagy szalaggal. Ne szállítson reptér vagy szivárgó akkumulátorokat. További információért vegye fel a kapcsolatot a továbbítást végző céggel.

VISSZAMARADÓ KOCKÁZATOK

Még a termék rendeltetésszerű használata esetén sem lehet teljesen kiküszöbölni minden kockázati tényezőt. A gép használata során a következő veszélyek merülhetnek fel, és a kezelőnek különösen oda kell figyelnie az alábbiak elkerülésére:

- Por okozta sérülések
 - Mindig viseljen szemvédőt.
 - Viseljen légzésvédő maszkot, ami a megmunkálandó anyagoknak megfelelő szűrőket tartalmaz Biztosítson megfelelő szellőztetést.
 - Ne egyen, igyon vagy dohányozzon a munkaterületen.
- a zaj és vibráció sérüléseket okozhat
 - Viseljen fülvédőt
 - Ne használja hosszabb ideig a terméket. Lásd "Kockázatsökkentés".
- Áramütés veszélye lép fel, ha belevágnak az elektromos vezetékbe.
 - A terméket mindig az arra szolgáló fogantyúknál tartsa. Ne érintse meg a vágókéseket és a termék fém részeit.

KOCKÁZATCSÖKKENTÉS

Ismert, hogy a kézi szerszámgépek használata során fellépő vibráció bizonyos személyeknél hozzájárulhat az úgynevezett Raynaud-szindróma (Raynaud's Syndrome) nevű állapot kialakulásához. A tünetei lehetnek: az ujjak

szibbadása, elfehéredése, szúrások érzése, amelyek hidegnek kitéve gyakran felerősödnek. Az öröklődő tényezők, a hidegnek kitettség és verejtékezés, a diéta, a dohányzás és munka közben alkalmazott fogások valószínűleg mind hozzájárulhatnak ezen tünetek megjelenéséhez. A vibráció hatásainak csökkentése érdekében a kezelőnek be kell tartani az alábbi óvintézkedéseket:

- Hideg időben tartsa melegen a testét. A gép használatakor viseljen kesztyűt a kéz és a csukló melegen tartásához. Arról számoltak be, hogy a hideg időjárásnak fontos szerepe van a Raynaud-szindróma kialakulásában.
- Bizonyos időtartamú használat után mindig végezzen gyakorlatokat a vérkeringés javításához.
- Gyakran tartson munkaszünetet. Korlátozza a napi munkaidőt.

Ha ezen állapot bármelyik tünetét tapasztalja, azonnal hagyja abba a munkát, és tájékoztassa az orvosát a tünetekről.

▲ FIGYELEM

A gép hosszabb idejű folyamatos használata sérüléseket okozhat vagy súlyosbíthatja a tüneteket. Ha a gépet hosszú időn át kell használnia, tartson gyakran szünetet.

ISMERJE MEG A TERMÉKET

93. oldal.

1. Késrögzítő
2. Kés retesz / kioldó kar
3. Fej szögállítása kioldógomb
4. Sebességszabályozás
5. Be/ki kapcsoló
6. Rögzítőkapcsoló
7. Súlyszettelt vágópenge
8. 88 mm Síkba vágó fűrészlap
9. Csiszolólap
10. Csiszolópapír
11. Adapter */**
12. Akkumulátornyílás
13. Kar, szigetelt fogófelület

*A RYOBI, RIDGID illetve AEG tartozékok korábbi generációival kompatibilis. A RYOBI a Ryobi Limited licencelt védjegye. A RIDGID az Emerson Electric Co védjegye. Az AEG az AB Electrolux (publ) licence keretében regisztrált védjegy.

**FEIN tartozékokkal kompatibilis. A FEIN a C. & E. Fein GmbH védjegye.

**DREMEL tartozékokkal kompatibilis. A DREMEL a Robert Bosch Tool Corporation védjegye.

HASZNÁLAT

A termék rendelkezik egy extra adapterrel más márkájú vágó, kaparó és csiszoló kiegészítők használatához. Ne használja az adaptert a részszámhoz mellékel, legutolsó generációs RYOBI tartozékokkal. Például, az adaptert az "R&F" betűjellel kifelé használja, ha korábbi generációjú RYOBI, RIDGID vagy AEG kiegészítőket szeretne használni. Lehetséges, hogy meg kell fordítani az adaptert a más márkájú kiegészítővel való használatához.

- Egy szorítóval rögzítse a munkadarabot, hogy

meggátolja a mozgását a csiszolási vagy vágási műveletek közben. Ne tartsa a kezével a munkadarabot. Egy véletlen megcsúszás a termék működtetése közben súlyos személyi sérülést okozhat.

- Amikor puha anyagba, pl. fába vagy gipszkartonba végez beszuró vágást a vágó tartozékkal, fokozatosan vigye közelebb a rezgőkést a munkadarabhoz. Ne nyomja bele erősen a rezgőkést vágandó anyagba. Hagyja, hogy a termék végezze a munkát, Ön pedig a termék és a vágóalkatrész stabil megtartására koncentrájon abban a helyzetben, ahol a vágást szeretné végezni.
- Színesfémek vágásakor különösen figyeljen oda. A rezgőkés a vágás megkezdése előtt kiugorhat oldalra. Ha szükséges, a vágás megkezdése előtt fúrjon néhány lyukat a vágni kívánt vonal mentén.
- Ha a vágóeszközök beragadnak a munkadarabba, kapcsolja ki a terméket, és húzza ki az elektromos hálózathoz. Ha a vágóeszköz könnyen nem távolítható el, hagyja megfelelően lehűlni a vágóeszközt annak a termékből való kihúzása előtt. Viseljen kulcsyűt, és használjon kéziszerszámokat, pl. fogót és kulcsot, hogy eltávolítsa a vágóeszközt a munkadarabból.

TÚLÁRAMVÉDELLEM

Túláram érzékelések a termék automatikusan kikapcsol.

Ha a termék leáll, engedje el a kioldóbillentyűt, majd alkalmazza újra. A terméknek ismét működni kell.

KARBANTARTÁS

▲ FIGYELEM

Alkatrészek szerelésekor, beállítások végzésekor, tisztítások, karbantartás végzésekor, illetve használaton kívül mindig húzza ki a gépet az elektromos hálózathoz. Ha a terméket leválasztja az áramellátásról, megakadályozza a véletlen elindítást, ami komoly sérülést okozhat.

▲ FIGYELEM

Szervizeléskor csak a gyártó eredeti cserealkatrészeit, kiegészítőit és rátéiteit használja. Bármilyen más alkatrész használata veszélyes és a termék károsodását okozhatja.

- A műanyag részek tisztításakor tartózkodjon a tisztítószerek használatától. A kereskedelmi forgalomban kapható oldószerek rongáló hatással vannak a műanyagból készült elemek többségére. A por és egyéb szennyeződések stb. tisztítására használjon egy tiszta ruhadarabot.

▲ FIGYELEM

A műanyag részek semmilyen körülmények között nem érintkezhetnek fékolajjal, benzinnel, petróleum alapú termékekkel, beszívódó olajokkal stb. Ezek a vegyszerek olyan vegyületeket tartalmaznak, melyek megromlíthatják, meglágyíthatják vagy lebonthatják a műanyagból készült részeket, ami súlyos testi sérüléseket is okozhat.

▲ FIGYELEM

A nagyobb biztonság és megbízhatóság érdekében minden javítást hivatalos szervizközpontban kell elvégeztetni.

A gipszkartonból és farostlemezből származó por csiszoló hatású és a termék idő előtti meghibásodását okozhatja, ha bejut a motorterületre. Használat után egy kefével és porszívóval alaposan tisztítsa meg a terméket. Ügyeljen rá, hogy ne nyomja be a koszt a szellőzőnyílásokba. Ne használjon sűrített levegőt a termék tisztításához, mert a por és a szemcsék súlyos szemsérülést okozhatnak.

KENÉS

A termékben lévő összes csapágy a termék teljes élettartamára elegendő kenőanyaggal van feltöltve, normál körülmények közötti használat esetén. Ebből kifolyólag nincs szükség arra, hogy a gép belső részeit kenje.

SZIMBÓLUMOK



Biztonsági figyelmeztetés



Egyenáram



A gép bekapcsolása előtt figyelmesen olvassa el az útmutatót.



Fa - süllyesztett és telehézagvágás



Színesfém - süllyesztett és telehézagvágás



Műanyag - süllyesztett és telehézagvágás



Sérülés vagy kár kockázatának csökkentéséhez ne érjen hozzá semmilyen forró felülethez.

Az akkumulátorok, valamint az elektromos és elektronikus berendezések hulladékait ne dobja a válogatatlan települési hulladékok közé.

Az akkumulátorok, valamint az elektromos és elektronikus berendezések hulladékait elkülönítve gyűjtse.

A hulladékká vált elemeket, akkumulátorokat és fényforrásokat vegye ki a berendezésből. Lépjen kapcsolatba a helyi hatósággal vagy kereskedővel az újrahasznosításra vonatkozó útmutatásért és a gyűjtőállomásokkal kapcsolatos információkért.



A helyi szabályozások szerint a kereskedők kötelesek lehetnek ingyen visszavenni az akkumulátorok, illetve az elektromos és elektronikus berendezések hulladékait.

A hozzájárulása az akkumulátorok, illetve az elektromos és elektronikus berendezések hulladékainak újrafelhasználásához és újrafeldolgozásához segít csökkenteni a nyersanyagok iránti keresletet.

Különösen a lítiumot tartalmazó akkumulátorok, illetve az elektromos és elektronikus berendezések hulladékai értékes és újrafeldolgozható anyagokat tartalmaznak, amelyek káros hatással lehetnek a környezetre és az emberi egészségre, ha nem környezetbarát módon kezelik őket.

A hulladékká vált berendezésből szükség esetén törölje a személyes adatokat.

Au fost acordate priorități maxime asupra siguranței, performanței și fiabilității în proiectarea sculei dvs. multifuncționale.

DOMENIU DE APLICAȚII

Această sculă multifuncțională este destinată a fi folosită doar de adulții care au citit și înțeles instrucțiunile și avertizările din acest manual și pot fi considerați responsabili pentru acțiunile lor.

Această sculă multifuncțională este destinată a fi folosită:

- pentru șlefuirea și finisarea metalului, lemnului, plasticului sau materialelor similare folosind talpa de șlefuire împreună cu șmirghelul la formă furnizat.
- pentru răzuire sau tăieri tip decupare în materiale neferoase, lemn, plastic, ghips carton etc, folosind lamele metalice de tăiere furnizate.
- pentru a tăia găuri în pereți pentru a putea potrivi întrerupătoare sau prize electrice.
- pentru a îndepărta mortarul dintre plăcile de gresie

Această sculă multifuncțională este destinată a fi operată doar în interior în condiții uscate, bine iluminate și corespunzător aerisite.

Produsul nu este proiectat a fi folosit pe materiale și suprafețe umede.

Nu folosiți produsul în niciun alt fel decât cel menționat pentru folosirea lui destinată.

⚠️ AVERTISMENT

Citiți, cu atenție, toate avertismentele, instrucțiunile și specificațiile furnizate împreună cu aparatul, și consultați ilustrațiile. Nerespectarea instrucțiunilor prezentate în continuare poate provoca accidente cum ar fi incendii, electrocutare și/sau vătămări corporale grave.

Salvați toate avertizările și instrucțiunile pentru o consultare ulterioară.

AVERTIZĂRI DE SIGURANȚĂ A SCULEI MULTIFUNCȚIONALE

- **În cazul în care efectuați operații în locuri în care accesoriul de tăiere poate intra în contact cu cabluri ascunse, țineți unealta electrică de suprafețele de prindere izolate.** Accesoriul de tăiere ce intră în contact cu un cablu sub curent ar putea alimenta electric părțile metalice expuse ale unelei electrice și ar putea expune operatorul la un șoc electric.
- Purtați întotdeauna ochelari de protecție în timpul operării aparatului. Purtați o mască împotriva prafului atunci când este produs praf.

⚠️ AVERTISMENT

Praf de la anumite vopsele, tencuieli și materiale pot cauza iritații sau reacții alergice ale sistemului respirator. Praful de la lemn precum stejarul, fagul, PAL-ul și altele sunt cancerigene. Doar specialiștilor calificați le este permis să folosească produsul pe materiale conținând azbest.

⚠️ AVERTISMENT

Acest produs nu trebuie conectat niciodată la o sursă de curent atunci când asamblați părțile, faceți reglaje, curățați, efectuați întreținerea, sau când produsul nu este în folosință. Deconectarea produsului de la alimentare va preveni pornirea accidentală, care poate provoca răni grave.

- Atunci când lucrați la pereți, tavane sau podele, fiți atent pentru a evita cablurile electrice și țevile de gaz sau apă.

⚠️ AVERTISMENT

Accesoriile metalice vor deveni fierbinți în timpul folosirii și pot cauza arsuri de piele dacă vin în contact cu operatorul. Purtați mănuși când schimbați accesoriile.

Fiți atent când puneți jos aparatul între operațiuni pentru a preveni deteriorarea sau rănirea.

- Nu folosiți accesoriile de tăiere care prezintă urme de deteriorare, sunt crăpate sau nu se potrivesc fix produsului.
- Produsul creează vibrații care mișcă accesoriul de tăiere. Dacă produsul este utilizat pentru perioade lungi de timp, aceste vibrații pot cauza disconfort. Luați pauze des, mai ales dacă apare disconfort la nivelul brațului, încheieturii sau al degetelor. Alegeți o setare a vitezei care va face lucrul complet eficient. Citiți secțiunile Riscuri reziduale și Reducerea riscurilor pentru mai multe informații privind vătămrile legate de vibrații.
- **Prindeți piesa de lucru cu un dispozitiv de prindere.** Piesele de lucru nefixate cu clemă pot cauza vătămare gravă și pagube. Nu țineți cu mâna materialul care îl șlefuiți.
- **Foaia de hârtie abrazivă nu trebuie să fie prea mare.** Dacă lăsați hârtia abrazivă să depășească talpa, vă expuneți riscului de răniri grave.
- Utilizați întotdeauna ochelari de protecție etanși și o mască de protecție contra prafului atunci când șlefuiți, în special dacă șlefuiți deasupra capului.
- Trebuie să folosiți o mască de respirat adecvată când șlefuiți suprafețe acoperite cu vopsea pe bază de plumb și de asemenea pentru anumite tipuri de lemn sau de metal pentru a evita să inhalați praf sau vapori toxici.
- Praful produs în timpul utilizării produsului poate reprezenta un pericol pentru sănătatea operatorului și a persoanelor din jurul său. Operatorul și persoanele din jurul său nu trebuie să atingă și nici să nu inhaleze praful. Purtați mască adecvată de protecție contra prafului.
- Nu procesați niciun material care prezintă pericol pentru sănătate (de ex. azbest).
- Temperatura ambientală în timpul funcționării unelei trebuie să fie cuprinsă între 0°C și 40°C.
- Temperatura ambientală în timpul depozitării unelei trebuie să fie cuprinsă între 0°C și 40°C.
- Temperatura ambientală în timpul încărcării unelei trebuie să fie cuprinsă între 10°C și 38°C.

AVERTISMENTE SUPPLEMENTARE PRIVIND SIGURANȚA LA UTILIZAREA BATERIILOR

⚠ AVERTISMENT

Pentru a reduce riscurile de incendiu, accidentare și deteriorare a produsului în urma unui scurtcircuit, nu scufundați niciodată produsul, acumulatorul sau încărcătorul în lichide și nici nu permiteți pătrunderea lichidelor în interiorul acestora. Lichidele corosive sau cu conductibilitate, precum apa sărată, anumite substanțe chimice și înălbitori sau produse ce conțin înălbitori, pot provoca un scurtcircuit.

- Temperatura ambientală în timpul utilizării bateriei trebuie să fie cuprinsă între 0°C și 40°C.
- Temperatura ambientală în timpul depozitării bateriei trebuie să fie cuprinsă între 0°C și 20°C.

TRANSPORTAREA ACUMULATORILOR PE LITIU

Transportați bateria în conformitate cu prevederile și reglementările locale și naționale.

Urmați toate cerințele speciale de pe ambalaj și etichete atunci când transportați acumulatorii la o parte terță. Asigurați-vă că în timpul transportului nicio baterie nu vine în contact cu alte baterii sau materiale conducătoare de electricitate prin protejarea bornelor expuse cu bandă sau capace izolatoare non conducătoare de electricitate. Nu transportați acumulatorii ce sunt crăpați sau au scurgeri. Verificați cu compania de transport pentru sfaturi ulterioare.

RISCURI REZIDUALE

Chiar dacă produsul este folosit așa cum este descris, este totuși imposibil să se elimine complet anumiți factori de risc reziduali. Următoarele pericole ar putea apărea în timpul folosirii iar operatorul trebuie să acorde o atenție specială pentru a evita următoarele:

- Vătămare cauzată de praf.
 - Purtați întotdeauna protecție pentru ochi.
 - Purtați mască de protecție a respirației conținând filtre corespunzătoare cu materialele ce vin prelucrate. Asigurați aerisire adecvată la locul de muncă.
 - Nu mâncați, beți sau fumați în zona de lucru.
- Vătămare cauzată de zgomot și vibrații.
 - Purtați echipamente de protecție a auzului
 - Nu operați produsul pentru perioade lungi de timp. Vezi "Reducerea Riscului"
- Risc de electrocutare în cazul în care cablurile electrice sunt tăiate.
 - Țineți produsul întotdeauna de mânerele destinate. Nu atingeți lamele de tăiere sau părțile de metal ale produsului.

REDUCEREA RISULUI

S-a reținut că vibrațiile de la sculele de mână pot contribui la starea numită Sindromul lui Raynaud, la anumite persoane. Simptomele pot include furnicături, amorțeală și albirea degetelor, care apare, de obicei, după expunerea la frig. Factori ereditari, expunerea la frig și umiditate, dieta,

fumatul și practicile de muncă contribuie la dezvoltarea acestor simptome. Există măsurători care pot fi efectuate de către operator pentru a reduce efectele de vibrațiilor:

- Păstrați-vă temperatura corporală ridicată pe vreme rece. Când operați unitatea purtați mănuși pentru a vă menține mâinile și încheieturile la căldură. S-a constatat că vremea rece este un factor major care contribuie la sindromul Raynaud.
- După fiecare perioadă de operare, trebuie făcute exerciții pentru a crește circulația sângelui.
- Trebuie făcute pauze la intervale de timp regulate. Limitați expunerea zilnică.

Dacă sunt experimentate oricare dintre simptomele acestei afecțiuni, trebuie întreruptă utilizarea și consultat un medic.

⚠ AVERTISMENT

Poti fi cauzate, sau agravate vătămări prin folosirea prelungită a sculei. Atunci când folosiți o sculă pentru perioade prelungite, asigurați-vă că luați pauze regulate.

CUNOAȘTEȚI-VĂ PRODUSUL.

Salt la pagina nr. 93.

1. Clemă lamă
2. Bolcare lamă / manetă de eliberare
3. Buton de reglare a unghiului capului de tăiere.
4. Controlul vitezei
5. Întrerupător pomire/oprire
6. Comutator cu blocare
7. Lamă tăietoare
8. Lamă pentru tăieri de nivelare 88 mm
9. Talpă
10. Șmirghel
11. Adaptor */**
12. Port acumulator
13. Mâner, suprafață de contact izolată

*Compatibil cu accesoriiile versiunilor anterioare ale RYOBI, RIDGID sau AEG. RYOBI este o marcă comercială utilizată sub licență de la Ryobi Limited. RIDGID este marca comercială a Emerson Electric Co. AEG este o marcă comercială înregistrată utilizată sub licență de la AB Electrolux (publ).

**Compatibil com accesorios FEIN. FEIN este o marcă comercială a C. & E. Fein GmbH.

***Compatibil com accesorios DREMEL. DREMEL este o marcă comercială a Robert Bosch Tool Corporation.

OPERAREA

Acest produs este furnizat cu un adaptor suplimentar pentru folosirea cu alte mărci de accesorii de tăiere, răzuire și șlefuire. Nu folosiți adaptorul cu ultima generație de accesorii RYOBI ce sunt furnizate cu aparatul dvs. De exemplu, folosiți adaptorul cu literele "R&F" cu fața înspre exterior dacă doriți să folosiți o generație mai recentă de accesorii RYOBI, RIDGID sau AEG. Adaptorul poate fi rabatat pentru folosirea cu alte mărci de accesorii.

- Fixați piesa de lucru cu o clemă pentru a preveni mișcarea ei în timpul operațiilor de șlefuire sau tăiere. Niciodată nu țineți cu mâna o piesă de lucru. O alunecare neintenționată în timpul operării produsului poate cauza vătămare personală gravă.

- Atunci când efectuați o tăiere tip decupare în materiale moi precum lemnul sau ghips-cartonul folosind accesorii de tăiere, aduceți gradual lama vibratoare la piesa de lucru. Nu împingeți puternic lama vibratoare în materialul ce va fi tăiat. Lăsați produsul să avanseze singur și concentrați-vă pe menținerea stabilă a acestuia și a accesoriului pentru tăiere pe linia de tăiere dorită.
- Acordați atenție suplimentară când tăiați în materiale neferoase. Lama de tăiere cu vibrare poate să alunece înapoi înainte de a începe să tăiați. Dacă este necesar, dați câteva găuri de-a lungul liniei de tăiere înainte de a începe operația de tăiere.
- Dacă accesoriile de tăiere se blochează în piesa de lucru, opriți produsul și deconectați-l de priză. Dacă accesoriul de tăiere nu poate fi ușor îndepărtat, lăsați accesoriile de tăiere să se răcească înainte de a elibera accesoriul de tăiere din produs. Purtați mănuși și folosiți scule precum clești și chei reglabile pentru a îndepărta accesoriul de tăiere din piesa de lucru.

PROTECȚIE ÎN CAZ DE SUPRACURRENT

Aparatul se oprește automat în caz de supracurent.

În cazul în care produsul se oprește din funcționare, eliberați maneta și apoi apăsați din nou. Aparatul va reintra în funcțiune.

ÎNȚREȚINEREA

⚠️ AVERTISMENT

Produsul nu trebuie conectat niciodată la priză atunci când asamblați părțile, faceți reglaje, curățați sau faceți întreținerea, sau atunci când părodușul nu este folosit. Deconectarea produsului de la alimentare va preveni pornirea accidentală, care poate provoca răniri grave.

⚠️ AVERTISMENT

La efectuarea service-ului, folosiți doar piese de schimb, accesorii și atașamente originale ale producătorului. Utilizarea altor piese poate crea situații periculoase sau poate conduce la deteriorarea produsului.

- Evitați utilizarea solvenților atunci când curățați piesele din plastic. Majoritatea materialelor plastice pot să fie deteriorate prin utilizarea unor solvenți vânduți în comerț. Utilizați o cârpă curată pentru a curăța murdăriile, praful etc.

⚠️ AVERTISMENT

Nu lăsați niciun moment ca lichidele de frână, produsele pe bază de petrol, uleiurile penetrante etc să intre în contact cu părțile din plastic. Aceste produse chimice conțin substanțe care pot distruge, fragiliza sau deteriora plasticul.

⚠️ AVERTISMENT

Pentru o mai mare siguranță și încredere, toate reparațiile trebuie să se facă la un centru service autorizat.

Praful de la ghips-carton și tencuială este abraziv și poate cauza defectarea prematură a produsului dacă este permis să intre în zona motorului. Curățați complet produsul după folosire folosind o perie și aspiratorul. Fiți atenți să nu împingeți mizeria în deschizăturile de ventilare. Nu folosiți aer comprimat pentru a curăța produsul întrucât praful și nisipul pot cauza vătămare serioasă a ochilor.

LUBRIFIEREA

Toți rulmenții din interiorul produsului sunt lubrifiați cu o cantitate suficientă de lubrifiant de calitate înaltă pentru durata produsului în condiții normale de folosire. În consecință, nici o ungere suplimentară nu este necesară.

SIMBOLURI



Alertă de siguranță



Curent continuu



Vă rugăm citiți instrucțiunile cu atenție înainte de pornirea aparatului.



Lemn - Tăieturi în adâncime și decupări



Metale neferoase - Tăieturi în adâncime și decupări



Materiale plastice - Tăieturi în adâncime și decupări



Pentru a reduce riscurile de accidentare sau deteriorare a obiectelor din jur, evitați contactul cu orice suprafață fierbinte.

A nu se arunca deșeurile de echipamente electronice și electrice și bateriile epuizate la gunoiera menajeră.

Deșeurile formate din echipamente electrice și electronice și bateriile epuizate trebuie colectate separat.

Sursele de iluminare, bateriile și acumulatorii epuizați trebuie scoase din aceste echipamente.

Solicitați consiliere de la autoritatea dvs. locală sau de la comerciantul de unde ați achiziționat aspiratorul, în privința punctului de colectare.

Conform reglementărilor naționale, vânzătorii cu amănuntul au obligația de a colecta bateriile epuizate, deșeurile de echipament electric și electronic, gratuit.

Contribuția dvs. la reciclarea și reutilizarea bateriilor, a echipamentelor electrice și electronice ajută la reducerea cererii de materii prime.

Bateriile epuizate, în special cele cu litiu, deșeurile formate din echipamente electrice și electronice conțin materiale reciclabile valoroase, care pot avea o influență negativă asupra mediului înconjurător și asupra sănătății umane, dacă nu sunt eliminate într-o manieră ecologică.

Ștergeți datele personale din echipamentul deșeu, dacă este cazul.



Drošība, sniegums un uzticamība ir augstākā prioritāte daudzfunkcionālā instrumenta izstrādē.

PAREDZĒTĀ LIETOŠANA

Šo daudzfunkcionālo instrumentu drīkst lietot tikai pieaugušie, kuri ir izlasījuši un sapratuši šīs rokasgrāmatas norādījumus un brīdinājumus un kuri spēj atbildēt par savu rīcību.

Daudzfunkcionālā instrumenta funkcijas:

- metāla, koka, plastmasas un līdžīgu materiālu slīpēšana un apstrāde, izmantojot slīpēšanas pamatni ar iekļautajām attiecīgās formas abrazīvajām loksniņēm
- skrāpēšana un iegremdējamā griešana krāsainajā metālā, kokā, plastmasā, ģipškartona plāksnēs u. tml., izmantojot iekļautos metāliskos griezējasmaņņus
- caurumu griešana sienās slēdžu un kontaktligzdu ievietošanai
- šuvju izņemšana starp keramikajām flīzēm

Daudzfunkcionālo instrumentu paredzēts lietot iekšējās sausas, labi izgaismotas un attiecīgi ventilētās apstākļos.

Izstrādājumu nav paredzēts lietot uz slapjiem materiāliem un virsmām.

Neizmantojiet ierīci citiem mērķiem, bet tikai tam paredzētajiem.

⚠ BRĪDINĀJUMS

Izlasiet visus drošības brīdinājumus, instrukcijas, specififikācijas un apskatiet attēlus šī elektroinstrumenta dokumentācijā. Visu uzskaitīto instrukciju neievērošana ir bīstama; tā var izraisīt elektrisko triecienu, aizdegšanos un/vai nopietnas traumas.

Visus brīdinājumus un norādījumus saglabājiet turpmākām uzziņām.

DAUDZFUNKCIONĀLĀ INSTRUMENTA DROŠĪBAS BRĪDINĀJUMI

- **Darbos, kuros instruments var saskarties ar slēptiem vadiem, turiet instrumentu aiz izolētajām satveršanas virsmām.** Griezējinstrumenta saskare ar strāvu vadošajām vietām var padarīt arī atklātās metāla daļas vadošas un radīs operatoram elektrisko triecienu.
- Lietojot instrumentu, vienmēr valkājiet aizsargbrilles. Rodoties putekļiem, valkājiet putekļu masku.

⚠ BRĪDINĀJUMS

Putekļi no dažādām krāsām, klājumiem un materiāliem var izraisīt kairinājumu vai alerģijas reakcijas elpošanas sistēmai. Putekļi no tādiem kokiem, kā ozols, dižskābardis, šķiedrkartons un citiem ir kancerogēni. Izmantošanu ar azbestu saturošiem materiāliem drīkst veikt tikai kvalificētu speciālisti.

⚠ BRĪDINĀJUMS

Instrumentu nekādā gadījumā nedrīkst būt pievienots elektrības padevei, montējot detaļas, veicot regulējumus, tīrot, veicot apkopi vai nelietojot instrumentu. Elektrības vada atvienošana no sprieguma padeves novērsīs nejašu ieslēgšanu, kas var izraisīt smagus ievainojumus.

- Veicot darbus sienās, griestos vai grīdā, uzmanieties, lai nenonāktu saskarē ar elektrības kabeļiem un gāzes vai ūdens caurulēm.

⚠ BRĪDINĀJUMS

Metāliskie piederumi lietošanas laikā sakarst un pieskaroties var izraisīt ādas apdegumus. Mainot piederumus, valkājiet cimdus.

Starp darbībām iestatiet instrumentu, rīkojieties uzmanīgi, lai nepieļautu bojājumus vai traumas.

- Neizmantojiet griešanas piederumus, kas ir bojāti, ieplaisājuši vai nav droši uzstādāmi instrumentam.
- Izstrādājums rada vibrācijas, kas kustina uzliku. Vibrācijas var radīt diskomfortu, ja izstrādājums tiek lietots ilgstošu laika posmu. Veiciet biežus pārtraukumus, it īpaši, ja jūtat rokas, plaukstu vai pirkstu diskomfortu. Izvēlieties ātruma iestatījumu, kas ļaus darbu veikt efektīvi. Izlasiet sadaļas "Atlikušie riski" un "Risku samazināšana", lai iegūtu vairāk informācijas par ar vibrāciju saistītām traumām.
- **Nostipriniet apstrādājamo objektu ar nostiprinājuma skavu.** Neiespīlētas sagataves var izraisīt nopietnas traumas un bojājumus. Neturiet slīpējamo materiālu ar roku.
- **Neizmantojiet smilšpapīru, kas ir lielāks kā nepieciešams.** Ja papīrs ir lielāks par slīpēšanas uzliktni, tas var izraisīt nopietnus plūsumus.
- Slīpēšanas laikā vienmēr nēsājiet aizsargbrilles un putekļu masku, it īpaši slīpējot virs galvas.
- Lai izvairītos no kaitīgu/toksisku putekļu vai gaisa ieelpošanas, svina krāsas, dažu kokmateriālu un metāla slīpēšanas laikā ir jāizmanto piemērots elpošanas respirators.
- Produkta izmantošanas laikā radītie putekļi var būt kaitīgi lietotāja un apkārtējo veselībai. Lietotājs un apkārtējie nedrīkst saskarties un ieelpot putekļus. Valkājiet piemērotu putekļu aizsargmasku.
- Neslīpējiet jebkādus materiālus, kas rada briesmas veselībai (piemēram, azbestu).
- Apkārtējās vides temperatūras diapazons instrumentam lietošanas laikā ir starp 0°C un 40°C.
- Apkārtējās vides temperatūras diapazons instrumenta uzglabāšanai ir starp 0°C un 40°C.
- Ieteicamais apkārtējās vides temperatūras diapazons lādēšanas sistēmai uzlādes laikā ir starp 10°C un 38°C.



PAPILDU AKUMULATORU BLOKA DROŠĪBAS BRĪDINĀJUMI

▲ BRĪDINĀJUMS

Lai novērstu īssavienojuma izraisītu aizdegšanās, savainojumu vai produkta bojājuma risku, neiegremdējiet instrumentu, maināmo akumulatoru vai uzlādes ierīci šķidrums un rūpējieties par to, lai ierīcēs un akumulatoros neiekleļūtu šķidrums. Koroziju izraisoši vai vadītspējīgi šķidrums, piemēram, sālsūdens, noteiktas ķīmiskālijas, balinātāji vai produkti, kas satur balinātājus, var izraisīt īssavienojumu.

- Apkārtējās vides temperatūras diapazons akumulatoram lietošanas laikā ir starp 0°C un 40°C.
- Apkārtējās vides temperatūras diapazons akumulatora uzglabāšanai ir starp 0°C un 20°C.

LITIJA AKUMULATORU PĀRVADĀŠANA

Pārvadājiet akumulatoru saskaņā ar vietējiem un valsts nosacījumiem un noteikumiem.

Ja akumulatoru pārvadāšanu veic trešā puse, ievērojiet visas īpašās prasības par iepakojšanu un marķēšanu. Transportējot nodrošiniet, lai akumulatori nesaskaras ar citiem akumulatoriem vai vadošiem materiāliem, atsegtos savienotājus aizsargājot ar izolējošiem, nevadošiem vāciņiem vai lentī. Nepārvietojiet akumulatorus, kas ir iekļāpājūši vai ar noplūdi. Konsultējieties ar pārsūtīšanas uzņēmumu.

PALIEKOŠIE RISKI

Pat tad, ja ierīce tiek lietota, kā aprakstīts, joprojām nav iespējams pilnībā novērst atsevišķus riska faktorus. Lietošanas laikā var rasties šādas briesmas un strādniekam īpaša uzmanība jāpievērš šim:

- Putekļu izraisītas traumas
 - Vienmēr nēsājiet acu aizsardzību.
 - Valkājiet elpošanas aizsargmaskas, kurām ir apstrādājamiem materiāliem atbilstoši filtri. Darba vietā nodrošiniet atbilstošu ventilāciju.
 - Darba vietā neēdiet, nedzeriet un nesmēķējiet.
- trokšņa un vibrācijas radīti savainojumi
 - Lietojiet dzirdes aizsargus
 - Nedarbiniet precī ilgstošī. Skatīt "Risku Samazināšana".
- Elektrotrauma risks, iegriežot elektrības kabelos
 - Vienmēr turiet ierīci aiz tam paredzētajiem rokturiem. Nepieskarieties ierīces griešanas asmeņiem un metāla daļām.

RISKA SAMAZINĀŠANA

Ir ziņots, ka rokās turamu preču vibrācijas dažām personām var veicināt „Reino sindromu”. Simptomi var ietvert pirkstu tīnkšķēšanu, nejutīgumu un nobālēšanu, parasti aukstā laikā. Tiek uzskatīts, ka tradicionālie faktori, aukstums un mitrums, uzturs, smēķēšana un darba prakse sekmē šo simptomu attīstību. Operators var veikt pasākumus, lai iespējami samazinātu vibrācijas efektu:

- Aukstā laikā ķermenim jābūt siltam. Darbinot ierīci, nēsājiet cimdus, lai rokas un plaukostas locītavas būtu siltas. Ir pētījumi, ka auksts laiks ir galvenais faktors, kas veicina Reino sindromu.
- Ik pēc laika apturiet darbu un veiciet vingrinājumus, kas uzlabo asins cirkulāciju.
- Strādājot jābūt biežiem pārtraukumiem. Ierobežojiet iedarbības ilgumu dienā.

Ja jūs izjūtat kādu no šiem simptomiem, nekavējoties apturiet ierīces lietošanu un sazinieties ar ārstu par šiem simptomiem.

▲ BRĪDINĀJUMS

Ilgstoša instrumenta lietošana var izraisīt traumas vai pasliktināt veselības stāvokli. Ilgstošī lietojot jebkuru instrumentu, pārliecinieties, ka tiek veikti regulāri pārtraukumi.

IERĪCES IEPAZĪŠANA

Skatīt 93. lpp.

1. Asmens skava
2. Asmens nobloķēšanas / atbrīvošanas svira
3. Galvas leņķa regulējuma atbrīvošanas poga
4. Ātruma regulators
5. Ieslēgšanas/izslēgšanas slēdzis
6. Slēdža fiksators
7. Asmens griešanai ar iegremdēšanu
8. 88 mm nogriešanas asmens
9. Slīpēšanas pamatne
10. Smilšpapīrs
11. Adapteris */**
12. Akumulatora savienojuma ligzda
13. Rokturis, izolēta satveršanas virsma

*Savietojams ar iepriekšējām RYOBI, RIDGID, vai AEG aksesuāru paaudzēm. RYOBI ir Ryobi Limited licencēta preču zīme. RIDGID ir Emerson Electric Co preču zīme. AEG ir AB Electrolux (publ). licencēta reģistrēta preču zīme.

**Savietojams ar FEIN aksesuāriem. FEIN ir C. & E. Fein GmbH preču zīme.

***Savietojams ar DREMEL aksesuāriem. DREMEL Robert Bosch Tool Corporation preču zīme.

EKSPLUATĀCIJA

Ierīces komplektācijā ietilpst papildu adapters, kas paredzēts lietošanai ar citu zīmolu griešanas, skrāpēšanas un slīpēšanas piederumiem. Nelietojiet adapteru ar RYOBI jaunākās paaudzes piederumiem, kas ietilpst instrumenta komplektācijā. Piemēram, izmantojiet adapteru ar burtiem "R&F" vērstiem uz āru, ja vēlaties lietot iepriekšējās paaudzes RYOBI, RIDGID vai AEG piederumus. Adapteru var apgriezt otrādi, lai lietu ar citu zīmolu piederumiem.

- Nostipriniet apstrādājamo materiālu ar skavu, lai nepieļautu izkustēšanas slīpēšanas vai griešanas laikā. Nekad neturiet sagatavi ar rokām. Nejauša paslīdēšana ierīces lietošanas laikā var izraisīt nopietnus miesas bojājumus.
- Veicot iegremdējamo griezumu mīkstos materiālos, piemēram, kokā un ģipškartona plāksnē, izmantojot griešanas piederumu, pakāpeniski tuviniet vibrējošo asmeni apstrādājamajam materiālam. Nespidiet pārāk

stipri vibrējošo asmeni griežamajā materiālā. Ļaujiet instrumentam paveikt darbu un koncentrējieties uz instrumenta un griešanas aprīkojuma noturēšanu stabilā stāvoklī, kurā vēlaties veikt griezumu.

- Griežot krāsainos metālus, rīkojieties īpaši uzmanīgi. Vibrējošais griezējasmens var novirzīties, pirms uzsāk griešanu. Ja nepieciešams, veiciet urbumus gar griešanas līniju, pirms uzsāk griešanu.
- Ja griešanas piederumi iestrēgst apstrādājamā materiālā, izslēdziet ierīci un atvienojiet to no elektropadeves. Ja griešanas piederumu nevar viegli izņemt, ļaujiet tam atdzist, pirms izņemat to no ierīces. Valkājiet cimdus un izmantojiet darbarīkus, piemēram, knaibles un uzgriežņu atslēgu, lai izņemtu griešanas piederumu no apstrādājamā materiāla.

STRĀVAS PĀRSLODŽU AIZSARDZĪBA

Konstatējot strāvas pārslodzi, izstrādājums automātiski izslēdzas.

Ja izstrādājums apstājas, atbrīvojiet mēlīti un tad nospiediet to atkārtoti. Izstrādājumam atsāks darboties.

APKOPE

⚠ BRĪDINĀJUMS

Produktu nekad nedrīkst pievienot barošanas padevei, veicot daļu montāžu, regulēšanu, tīrīšanu vai apkopi, kā arī laikā, kad tas netiek izmantots. Elektrības vada atvienošana no sprieguma padeves novērsīs nejašu ieslēgšanu, kas var izraisīt smagus ievainojumus.

⚠ BRĪDINĀJUMS

Saņemot, izmantojiet tikai oriģinālas ražotāja rezerves daļas, piederumus un pielikumus. Jebkādi citu detaļu izmantošana var izraisīt bīstamību vai produkta bojājumus.

- Tīrot plastmasas daļas, izvairieties no šķīdinātāju lietošanas. Vairums plastmasu ir jutīgas pret dažāda veida pārdošanā esošajiem šķīdinātājiem un to izmantošanas rezultātā var tikt bojātas. Izmantojiet tīru drānu, lai notīrītu netīrumus, oglekļa putekļus utt.

⚠ BRĪDINĀJUMS

Nekādā gadījumā plastmasas daļām neļaujiet nonākt saskarē ar bremžu šķidrums, benzīnu, naftas izstrādājumiem, eļļām ar paaugstinātu mitrināšanas spēju utt. Ķīmikālijas var sabojāt, novājināt vai iznīcināt plastmasu, kas var izraisīt nopietnas personīgās traumas.

⚠ BRĪDINĀJUMS

Lielākas drošības un uzticamības labad visi remontu jāveic pilnvarotā apkopes centrā.

Putekļi, kas rodas no ģipša un sienām, ir abrazīvi un, iekļūstot motora korpusā, var izraisīt priekšlaicīgu ierīces sabojāšanos. Pēc lietošanas rūpīgi notīriet ierīci ar birsti vai putekļu sūcēju. Uzmanieties, lai neiestumtu putekļus

ventilācijas atverēs. Neizmantojiet saspiestu gaisu, lai tīrītu precī, jo putekļi un smiltis var radīt nopietnus acu savainojumus.

ELĻOŠANA

Visi izstrādājuma gultņi tiek eļļoti ar pietiekamu augstas kvalitātes smērvielas daudzumu, lai nodrošinātu produkta kalpošanas laiku normālos lietošanas apstākļos. Tāpēc papildu eļļošana nav nepieciešama.

APZĪMĒJUMI



Drošības brīdinājums



Līdzstrāva



Pirms iedarbināt mašīnu, lūdz rūpīgi izlasiet instrukcijas.



Kokam - griešanai ar iegremdēšanu un caurejošai griešanai



Dzelzi nesaturošs metāls - griešanai ar iegremdēšanu un caurejošai griešanai



Plastikātiem - griešanai ar iegremdēšanu un caurejošai griešanai



Lai samazinātu ievainojumu vai bojājumu risku, izvairieties no saskarsmes ar jebkuru karstu virsmu.

Neizmetiet akumulatoru atkritumus kā nešķīrotus sadzīves atkritumus. Akumulatoru atkritumi, elektrisko un elektronisko iekārtu atkritumi jāsavāc atsevišķi.

Bateriju, akumulatoru un gaismas avotu atkritumi ir jāizņem no iekārtām.

Sazinieties ar vietējo pašvaldību vai mazumtirgotāju, lai saņemtu ieteikumus pārstrādei un savākšanas punktus.

Saskaņā ar vietējiem noteikumiem mazumtirgotājiem var būt pienākums bez maksas pieņemt atpakaļ akumulatoru, elektrisko un elektronisko iekārtu atkritumus. Jūsu ieguldījums elektrisko un elektronisko iekārtu atkritumu otrreizējā izmantošanā un otrreizējā pārstrādē palīdz samazināt izejvielu pieprasījumu.

Akumulatoru atkritumi, it īpaši tie, kas satur litiju, un elektrisko un elektronisko iekārtu atkritumi satur vērtīgus un pārstrādājamus materiālus, kas var nelabvēlīgi ietekmēt vidi un cilvēku veselību, ja tos neapglabā videi draudzīgā veidā.

Izdzēsiet no atkritumos nododamajām iekārtām personīgos datus, ja tādi tur ir.



Projektuojant daugiafunkcij įrankį, didžiausias prioritetas suteiktas saugai, eksploatacinėms savybėms ir patikimumui.

NAUDOJIMO PASKIRTIS

Šis rotacinis kūjinis gražtas skirtas naudoti tik suaugusiesiems, kurie yra perskaitę ir supratę šiame vadove pateiktus nurodymus bei įspėjimus ir gali būti laikomi atsakingi už savo veiksmus.

Daugiafunkcis įrankis skirtas:

- metalo, medienos, plastiko ar panašių medžiagų šlifavimui ir apdailai pateiktais įvairių formų švitrinio popieriaus lapeliais;
- spalvotųjų metalų, medienos, plastiko, gipskartonio ir pan. medžiagų grandymui ir kertamajam pjovimui gaminio komplekte pateiktomis metalinėmis pjovimo geležtėmis;
- jungikliams ar maitinimo lizdams skirtų angų išpjovimui sienose;
- skiedinio pašalinimui iš tarpų tarp keraminių plytelių.

Daugiafunkcis įrankis skirtas naudoti gerai apšviestose ir vėdinamose uždaroje patalpose.

Šis gaminys neskirtas naudoti su šlapiomis medžiagomis ir paviršiais.

Gaminį galima naudoti tik pagal paskirtį.

⚠ ĮSPĖJIMAS

Perskaitykite visus saugos įspėjimus, visas instrukcijas, paveikslėlius ir techninius reikalavimus, pateikiamus su šiuo elektriniu įrankiu. Apačioje išdėstytų instrukcijų nesilaikymas gali sukelti elektros smūgį, gaisrą ir (ar) sunkius sužeidimus.

Kad tinkamai naudotumėte įrankį, žr. visus perspėjimus ir nurodymus.

DAUGIAFUNKCIO ĮRANKIO SAUGOS ĮSPĖJIMAI

- **Elektrinį įrankį laikykite už izoliuotų paviršių, kad darbo metu pjovimo įrankio priedas nesuliestų su paslėptais laidais.** Pjovimo metu priedas, prisilietęs prie laido, prijungto prie maitinimo šaltinio, gali aktyvuoti metalines elektrinio įrankio detales ir sukelti operatoriui elektros smūgį.
- Dirbant šiuo įrankiu, būtina dėvėti saugos akinius. Reikia dėvėti dulkių apsauginę kaukę, kai dirbant susidaro dulkių.

⚠ ĮSPĖJIMAS

Tam tikrų dažų, gruntų ir medžiagų dulkės gali dirginti ar sukelti alergines kvėpavimo sistemos reakcijas. Ažuolo, beržo, medienos plaušų plokščių ir kitos dulkės kancerogeninės. Gaminį apdoroti medžiagas, kurių sudėtyje yra asbesto, gali tik kvalifikuoti specialistai.

⚠ ĮSPĖJIMAS

Niekada nelaikykite įrankio prijungto prie elektros maitinimo šaltinio, kai montuojate detales, reguliuojate, valote, atliekate priežiūros darbus arba kai įrankis nėra naudojamas. Atjungę įrenginį nuo elektros tinklo išvengsite netyčinio paleidimo, kuris gali tapti sunkaus susižalojimo priežastimi.

- Šlifuojant sienas ar pjaunant jose angas, reikia būti atsargiems ir nepažeisti elektros laidų ar dujotiekio arba vandentiekio vamzdžių.

⚠ ĮSPĖJIMAS

Apdirbant metalinius paviršius, jie įkaista ir prisilietus, galima nudegti odą. Keičiant įtaisus būtina dėvėti pirštines.

Padedant įrankį tarp darbų, reikia būti atsargiems ir neapgadinti objektų bei nesusižeisti patiems ir nesusižeisti kitų.

- Negalima naudoti apgadintų, sutrūkinėjusių ar netinkamai uždėtų ant gaminio pjovimo įtaisų.
- Įrenginys kelia vibraciją, kuri judina priedą. Vibracija gali sukelti diskomfortą, jei įrenginys bus naudojamas ilgą laiką tarpą. Dažnai darykite pertraukas, ypač jei jaučiate nemalonų pojūtį rankose, riešuose ar pirštuose. Pasirinkite greičio parametraž, kuris leis našiai atlikti darbą. Išsamesnės informacijos apie vibracijų sukeltus sužeidimus, skaitykite skyriuose Liktiniai pavojai ir Pavojų mažinimas.
- **Suspauskite ruošinį spaustuvu.** Neprispausti ruošiniai gali pajudėti ir sukelti sunkių traumų ar apgadinti vietą, prie kurios yra tvirtinami. Šlifuojamos medžiagos negalima laikyti ranka.
- **Nenaudokite didesnio švitrinio popieriaus nei reikia.** Iš šlifavimo pado išsikišęs popierius gali smarkiai draskyti paviršius.
- Šlifavimo metu, ypač kai šlifuojate virš galvos, visada dėvėkite apsauginius akinius ir kaukę nuo dulkių.
- Šlifudami švino dažus, tam tikras medienos rūšis ir metalą dėvėkite respiratorių, kad neįkvėptumėte nuodingų / žalingų dulkių arba oro.
- Dulkės, kylančios naudojant šį įrenginį, gali kelti pavojų naudotojo ir šalia esančių žmonių sveikatai. Naudotojas ir šalia esantys žmonės privalo neliesti ir neįkvėpti dulkių. Dėvėkite tinkamą apsaugos nuo dulkių kaukę.
- Neapdirbkite jokių medžiagų, kurios kelia pavojų sveikatai (pvz., asbesto).
- Įrankio darbinės aplinkos temperatūros diapazonas nuo 0°C iki 40°C.
- Įrankio sandėliavimo aplinkos temperatūros diapazonas nuo 0°C iki 40°C.
- Rekomenduojamas įkrovimo sistemų darbinės aplinkos temperatūros diapazonas nuo 10°C iki 38°C.

PAPILDOMI AKUMULIATORIAUS SAUGOS ĮSPĖJIMAI**▲ ĮSPĖJIMAS**

Siekdami išvengti trumpojo jungimo sukeliama gaisro pavojaus, sužalojimų arba produkto pažeidimų, neikiškite įrankio, keičiamo akumulatoriaus arba įkroviklio į skysčius ir pasirūpinkite, kad į prietaisus arba akumulatorius nepatektų jokių skysčių. Koroziją sukeliantys arba laidūs skysčiai, pvz., sūrus vanduo, tam tikri chemikalai ir balikliai arba produktai, kurių sudėtyje yra baliklių, gali sukelti trumpąjį jungimą.

- Baterijos darbinės aplinkos temperatūros diapazonas nuo 0°C iki 40°C.
- Baterijos sandėliavimo aplinkos temperatūros diapazonas nuo 0°C iki 20°C.

LIČIO BATERIJŲ GABENIMAS

Gabenkite bateriją pagal įmonės ir valstybinius reikalavimus ir taisykles.

Gabendama baterijas, trečioji šalis privalo vadovautis ant pakuotės ar etikečių nurodytais specialiaisiais reikalavimais. Pasirūpinkite, kad gabenant baterijos nesuliestų su kitomis baterijomis ar laidžiomis medžiagomis: ant jungiamųjų elementų uždėkite izoliuojančius, nelaidžius apsauginius dangtelius arba šiuos elementus apvyniokite juosta. Negabinkite įtrūkusių ar pratekančių baterijų. Išsamesnio patarimo kreipkitės į gabentojo įmonę.

ŠALUTINIS PAVOJUS

Net naudojant gaminį griežtai pagal paskirtį neįmanoma visiškai atmesti kai kurių liktinių rizikos veiksnių. Naudojant gali kilti toliau nurodyti pavojai ir naudotojas turi būti ypatingai atsargus, kad išvengtų šių pavojų:

- Dulkių sukeliama žala
 - Būtinai dėvėti akių apsaugą.
 - Dėvėkite kvėpavimo sistemos apsaugines kaukes su atitinkamais filtrais, nepraleidžiančiais nuo pjaunamų medžiagų atsiskiriančių dalelių Darbo vieta turi būti tinkamai vėdinama.
 - Darbo vietoje negalima valgyti, gerti ar rūkyti.
- triukšmo ir vibracijos sukeliama sužeidimai
 - Dėvėkite klausos apsaugos priemones
 - Gaminio negalima naudoti ilgai. Žr. "Rizikos Veiksnių Mažinimas".
- Pavojus žūti nuo elektros srovės pažeidus elektros laidus
 - Laikykite gaminį tik už rankenų. Neprisilieskite gaminio pjovimo geležčių ar metalinių dalių.

RIZIKOS MAŽINIMAS

Pranešama, kad rankinių įrankių keliamos vibracijos kai kuriems asmenims gali paskatinti Reino sindromo vystymąsi. Šios ligos požymiai yra pirštų dilgčiojimas, nutirpimas ir pabalimas, paprastai pasireiškiantis nuo šalčio. Šie simptomai vystosi dėl paveldimų veiksnių, nesisaugant nuo šalčio ir drėgmės, dėl mitybės, rūkymo ir darbo praktikos. Operatorius gali imtis šių priemonių, kurios gali

sumažinti vibracijos poveikį:

- Apsirenkite kuo šilčiau šaltu oru. Dirbant šiuo prietaisu mėvėkite pirštines, kad paštakos ir riešai būtų laikomi šilti. Turime pranešimų, kad Raynaud sindromas labiausiai vystosi nuo šalto oro sąlygų.
- po darbo kiekvieną kartą pasportuokite, kad pagerėtų kraujo apytaka;
- dažnai darykite darbo pertraukas. Apribokite darbo laikotarpį per dieną.

Jei jums pasireiškia kokie nors šios būklės simptomai, nedelsdami nutraukite darbą ir kreipkitės į gydytoją.

▲ ĮSPĖJIMAS

Ilgai naudojant įrankį, galima susižaloti arba pakenkti sveikatai. Ilgiau naudojant įrankius, reikia reguliariai daryti pertraukas.

GERAI IŠMANYKITE APIE GAMINĮ

Žiūrėti 93 psl.

1. Geležčių spauštuvai
2. Geležčių blokavimo / atpalaidavimo svirtis
3. Galvutės kampo reguliavimo paleidimo mygtukas
4. Greičio reguliavimas
5. Įjungimo / išjungimo mygtukas
6. Fiksatorius
7. Įleidžiamųjų pjūvių diskas
8. 88 mm pjovimo vienu lygiu geležtė
9. Šlifavimo padas
10. Švitrinis popierius
11. Adapteris */**
12. Baterijos gnybtas
13. Rankena, izoliuotu paviršiumi

*Tinka naudoti su senesnių versijų RYOBI, RIDGID arba AEG priedais. RYOBI yra prekės ženklas, naudojamas pagal „Ryobi Limited“ licenciją. RIDGID yra „Emerson Electric Co“ prekės ženklas. AEG yra registruotasis prekės ženklas, naudojamas pagal „AB Electrolux“ (leid.) licenciją.

*Galima naudoti su FEIN priedais. FEIN yra „C. & E. Fein GmbH“ prekės ženklas.

**Galima naudoti su DREMEL priedais. DREMEL yra „Robert Bosch Tool Corporation“ prekės ženklas.

VEIKIMAS

Gaminys pristatomas su papildomu adapteriu, kad būtų galima jungti kitų gamintojų pjovimo, adardymo ir šlifavimo įtaisus. Nenaudokite adapterio su naujausios kartos RYOBI įtaisais, pateikiamais įrankio komplekte. Pavyzdžiui, jei norite naudoti ankstesnės kartos RYOBI, RIDGID arba AEG įtaisus, naudokite adapterį taip, kad raidės "R&F" būtų nukreiptos į išorę. Naudojant kitų prekės ženklų įtaisus, adapteris gali būti išjungtas.

- Pritvirtinkite ruošinius spauštuvu, kad šlifuojant ar pjaunant jie nejudėtų. Niekada ruošinio nelaidekite rankomis. Netyčia prisilinkus ruošiniui, galima patirti sunkių traumų.
- Kertamuju judesiu pjovimo įtaisu pjaunant minkštas medžiagas, pavyzdžiui, medieną ir gipskartonį, vibruojančią geležtę reikia palapsniuoti artinti prie ruošinio. Vibruojančios geležtės negalima stipriai stumti į pjaunamą medžiagą. Leiskite įrenginiui pačiam atlikti

darbą ir susitelkite ties įrenginio laikymu bei pjovimo priedo stabilumu, kad jis būtų pjūviui reikiamoje padėtyje.

- Ypatingai atsargiai pjaukite spalvotuosius metalus. Vibruojanti pjovimo geležtė gali nušokti prieš pradėdami pjauti. Jei būtina, prieš pradėdami pjauti, išgręžkite kelias skylės išilgai pjovimo linijos.
- Pjovimo įtaisams įstrigus ruošinyje, išjunkite gaminį ir atjunkite nuo maitinimo šaltinio. Jeigu pjovimo įtaiso negalima lengvai nuimti, reikia jį atjungti nuo gaminio ir palikti atitinkamai atvėsti. Nuimdami pjovimo įtaisą nuo ruošinio, mūvėkite pirštines ir naudokite rankinius įrankius, tokius kaip replės ir veržliaraktis.

APSAUGA NUO VIRŠSROVIŲ

Atpikęs viršsrovės, gaminys automatiškai išsijungs.

Jei gaminys išsijungia, atleiskite gaiduką, paskui vėl jį nuspauskite. Gaminys turi vėl pradėti veikti.

PRIEŽIŪRA

⚠ ĮSPĖJIMAS

Perforatoriaus jokių būdu negalima jungti į maitinimo šaltinį montuojant dalis, reguliuojant, valant, atliekant priežiūros darbus ar jo nenaudojant. Atjungę įrenginį nuo elektros tinklo išvengsite netyčinio paleidimo, kuris gali tapti sunkaus susižalojimo priežastimi.

⚠ ĮSPĖJIMAS

Atlikdami techninę priežiūrą, naudokite tik originalias gamintojo atsargines dalis, priedus ir įtaisus. Kitų detalių naudojimas gali sukelti pavojų ar sugadinti įrankį.

- Valydami plastikinės detales, nenaudokite tirpiklių. Daugelis plastikų jautrūs įvairių tipų komerciniams tirpikliams ir juos naudojant galima pažeisti plastikinės detales. Valydami purvą, anglies dulkes ir kt. naudokite švarią šluostę.

⚠ ĮSPĖJIMAS

Stabdžių skysčiai, gazolinai ir benzino produktai, skvarbiosios alyvos ir pan. jokių būdu negali patekti ant plastiko dalių. Juose yra chemikalų, kurie gali sugadinti, pažeisti arba susilpninti plastiką.

⚠ ĮSPĖJIMAS

Kad būtų saugiau ir patikimiau, visus remonto darbus turi atlikti įgaliotasis techninio aptarnavimo centras.

Tinko ar gipskartonio dulkės šurkščios ir patekusios į variklio skyrelį gali sugadinti gaminį, nepasibaigus jo naudojimo laikui. Panaudojus gaminį, jį reikia kruopščiai išvalyti šepetėliu ir dulkių siurbliu. Būkite atsargūs, kad valant dulkių nepatektų į ventilacijos angas. Gaminio negalima valyti suspaustu oru, nes dulkės ir smiltys gali sunkiai sužeisti akis.

SUTEPIMAS

Kad įprastomis darbo sąlygomis perforatorius ilgai nesusidėvėtų, visi jo guoliai sutepti reikiamu kiekiu aukštos klasės tepalo. Todėl daugiau jo tepti nebereikia.

ŽENKLAI



Saugos perspėjimas



Nuolatinė srovė



Atidžiai perskaitykite instrukcijas prieš pradėdami naudoti mechanizmą.



Mediena – įleidžiamieji ir lygmalieji pjūviai



Spalvotieji metalai – įleidžiamieji ir lygmalieji pjūviai



Plastikai – įleidžiamieji ir lygmalieji pjūviai



Kad išvengtumėte sužalojimų ar žalos, venkite sąlyčio su bet koku karštu paviršiumi.

Neišmeskite senų akumuliatorių, elektros ir elektroninės įrangos atliekų kartu su nerūšiuotomis komunalinėmis atliekomis. Seni akumuliatoriai, elektros ir elektroninės įrangos atliekas privaloma surinkti atskirai. Senos baterijos, akumuliatoriai ir šviesos šaltinių atliekos turi būti pašalinti iš įrangos.

Kur rasti surinkimo ir perdirbimo punktą ir kaip tinkamai utilizuoti seną įrenginį, kreipkitės į vietos valdžios įstaigą ar pardavėją.

Atsižvelgiant į vietos teisės aktus, mažmenininkai gali būti įpareigoti nemokamai priimti atgal senus akumuliatorius ir elektros bei elektroninės įrangos atliekas.

Prisidėdami prie pakartotinio senų akumuliatorių ir elektros bei elektroninės įrangos atliekų panaudojimo ir perdirbimo padedate mažinti žaliavų poreikį. Senuose akumuliatoriuose, ypač tuose, kuriuose yra ličio, elektros ir elektroninės įrangos atliekose yra vertingų ir perdirbimui tinkamų medžiagų, kurios gali turėti neigiamą poveikį aplinkai ir žmonių sveikatai, jei nėra šalinamos aplinkai nekenksmingu būdu. Ištrinkite senuose prietaisuose esančius asmens duomenis, jei tokių buvo.



Universaaltööriista konstrueerimisel on peaaesmärgiks olnud toote ohutus, tootlikkus ja töökindlus.

OTSTARBEKOHANE KASUTAMINE

See universaaltööriist on ette nähtud kasutamiseks vaid täiskasvanud töötaja poolt, kes on selle kasutusjuhendi juhised ja hoiatused läbi lugenud ja mõistab vastutust nende täitmise eest.

Universaaltööriist on ette nähtud järgmisteks töödeks:

- metallide, puidu, plastide ja nendega sarnaste materjalide lihvimiseks ja viimistlemiseks kompleksis olevate abrasiivpatjade abil;
- mittemetallist, puidust, plastidest, kipsplaadist materjalide kaabitsemiseks ja avade lõikamiseks kompleksis olevate lõiketerade abil;
- lõikite ja pistikupesade avade lõikamiseks seintesse;
- keraamiliste plaatide vuukide eemaldamiseks.

Universaaltööriist on ette nähtud kasutamiseks ruumides, mis on hästi valgustatud ja ventileeritud.

Toode ei ole kasutatav märgadel materjalidel ja pindadel.

Ärge kasutage seadet ühelgi muul viisil kui mainitud sihtotstarbeks.

⚠ HOIATUS

Lugege läbi kõik mehaanilise tööriista kohta esitatud ohuhoiatused ning tutvuge tööriista jooniste ja tehniliste andmetega. Alpool esitatud hoiatuste ja juhiste eiramise puhul on oht saada elektrilööki või raskeid kehavigastusi ning/või tekitada tulekahju.

Hoidke kõik hoiatused ja juhised edaspidiseks juhindumiseks alles.

UNIVERSAALTÖÖRIISTA OHUHOIATUS

- Töötamisel kohtades, kus lõikeriist võib kokku puutuda varjatud elektrijuhtmetega, hoidke tööriista kinni ainult isoleeritud käepidemetest. Kui kinnitusdetail või puur satub kontakti pingele all olevate juhtmetega, jäävad tööriista isoleerimata metallosad pingele alla ja kasutaja võib saada elektrilöögi.
- Tööriistaga töötamisel kandke alati kaitseprille. Tolmustes kohtades töötamisel kandke tolumumaski.

⚠ HOIATUS

Mõnede värvide tolm, pinnakatted ja materjalid võivad põhjustada hingamisteede ärritust või allergilisi reaktsioone. Tamme- ja kasepuu, MDF-i ja mõnede muude materjalide tolm on kantserogeenne. Asbesti sisaldavaid materjale tohivad selle seadmega töödelda vaid väljaõppinud spetsialistid.

⚠ HOIATUS

Saag ei tohi mingil juhul kokku puutuda toitejuhtmega sel ajal kui kinnitate selle osi, teete reguleerimistoiminguid, puhastate või hooldate saagi ning siis kui seda ei kasutata. Toote eemaldamine toitevõrgust hoiab ära ootamatu käivitumise, mis võib põhjustada raskeid vigastusi.

- Avade puurimisel seintesse, põrandatesse olge ettevaatlik, et vältida kaableid, gaasi- ja veetorustikke.

⚠ HOIATUS

Metallist tarvikud võivad töötamise ajal kuumeneda ja selle tulemusena võite saada nahapõletuse, kui sellega kokkupuutesse satute. Tarvikute vahetamisel tuleb kanda kaitsekindaid.

Seadme kahjustuste ja kehavigastuste vältimiseks olge tööriista seadistamisel ettevaatlik.

- Ärge kasutage kahjustatud, pragunenud või kindlat mittekinnituvaid tarvikuid.
- Toode tekitab vibratsiooni, mis liigutab tarvikut. Vibratsioon võib põhjustada ebamugavustunnet, kui toodet kasutada pika aja jooksul. Puhake sageli, eriti siis, kui tekitab ebamugavustunne käes, randmes või sõrmedes. Valige selline kiirus, mis võimaldab tõhusalt töötada. Lisateavet vibratsiooniga seotud kehavigastuste kohta lugege alajaotistest "Jäakriskid" ja "Riskide vältimine".
- **Kinnitage toorik pitskruviga.** Kinnitamata toorik võib põhjustada raske kehavigastuse või tekitada varakahju. Ärge hoidke lihvitavat materjali käega kinni.
- **Ärge kasutage lihvimisel suuremat lihvpaberit, kui vaja.** Lihvimistalast üleulatuv lihvpaberi osa võib põhjustada kehavigastusi.
- Kasutage töötamisel alati kaitseprille ja tolumumaski – eriti tähtis on see lihvimisel pea kohal.
- Kandke nõuetekohast respiraatorit kui lihvite tina sisaldavaid värve, kõva puitu või metalle, et ohtlikku/mürgist tolmu või õhku mitte sisse hingata.
- Toote kasutamisel tekkiv tolm võib olla toote kasutaja ja kõrvalseisjate tervisele kahjulik. Kasutaja ja kõrvalseisjad ei tohi tolm puudutada ega sisse hingata. Kasutage sobivat tolumumaski.
- Ärge töödelge tervisele ohtlikke materjale (nt asbest).
- Tööriista ümbritseva keskkonna temperatuur töö ajal jääb vahemikku 0°C–40°C.
- Tööriista ümbritseva keskkonna temperatuur säilituse ajal on vahemikus 0°C–40°C.
- Selle laadimissüsteemi soovitatav ümbritseva keskkonna temperatuur laadimise ajal on vahemikus 10°C–38°C.

AKU LISAHOIATUSJUHISED

⚠ HOIATUS

Et vähendada tulekahju ja kehaliste vigastuste ohtu ning lühisest tulenevat toote kahjustamist, ärge kunagi kastke tööriista, akut või laadijat vedelikesse ega laske neil vedelikega kokku puutuda. Korrodeeruvad või elektrit juhtivad vedelikud, nagu soolvesi, teatud kemikaalid ja pleegitusained või pleegitusaineid sisaldavad tooted, võivad põhjustada lühisid.

- Akut ümbritseva keskkonna temperatuur kasutamise ajal on vahemikus 0°C–40°C.

- Akut ümbritseva keskkonna temperatuur ladustamise ajal on vahemikus 0°C–20°C.

LIITIUMAKUDE TEISALDAMINE

Akude transportimisel juhinduge kasutuskoahas kehtivatest ja riiklikest määrustest ja eeskirjadest.

Akude transportimisel allettevõtjate poolt järgige kõiki spetsiaalseid pakkimise ja tähistamise nõudeid. Veenduge, et akud ei satu kokkupuutesse teiste akude ega voolu juhtivate materjalidega, transportimise ajal kaitske klemme voolu mittejuhtivate isoleerkatete või teibiga. Ärge transportige pragunenud või lekkivaid akusid. Küsige lisateavet transportettevõttelt.

JÄÄKRISKID

Isegi siis, kui seadet kasutatakse kirjeldatud viisil, ei ole võimalik kõrvaldada kõiki jääkriskide mõjureid. Töötamise ajal võivad tekkida järgmised ohud, millele operaator peab pöörama erilist tähelepanu.

- Tolmust põhjustatud kehavigastus
 - Kandke alati silmakaitsevahendeid.
 - Kandke hingamismaski, milles on filter vastavalt lõigatavale materjalile Tagage töökohal nõuetekohane ventilatsioon.
 - Ärge töökohal sööge, jooge ega suitsetage.
- müra- ja vibratsioonist põhjustatud kehavigastus
 - Kandke kuulmise kaitsevahendeid
 - Ärge kasutage seadet pikka aega. Vadake Osa "Riskide Vältimine".
- Elektriikaabli läbilõikamisel on oht saada elektrilööki.
 - Hoidke töötamisel kinni selleks ettenähtud käepidemetest. Ärge puudutage lõiketerasid ega seadme metallosi.

RISKI ALANDAMINE

Teadaolevalt võib käsitööriistade kasutamine põhjustada mõnedel inimestel seisundit, mida nimetakse Raynaud' sündroomiks. Los síntomas pueden incluir hormigueo, entorpecimiento y decoloración de los dedos, generalmente aparentes cuando tiene lugar una exposición al frío. Nende sümptomite puhul tuleb hoiduda külmast ja niiskusest, dieedist ning suitsetamisest ja kasutada õigeid töövõtteid. Vibratsiooni mõju vähendamiseks tuleb rakendada järgmisi abinõusid.

- Külma ilmaga hoidke oma keha soe. Kandke kindaid, et hoida oma käed ja randmed soojad. Uuringud näitavad, et Raynaud's Syndrome ilmneb põhiliselt külma ilmaga.
- Pärast külmas töötamist tehke harjutusi, et verevarustust kiirendada.
- Tehke regulaarselt töövaheaegasid. Piirake tööperioodi pikkust.

Kui ilmnevad haigustunnused, lõpetage kohe töö ja pöörduge arsti poole.

⚠ HOIATUS

Seadme pikaajalisel kasutamisel võite saada kehavigastusi või vigastused võivad süveneda. Seadme kasutamisel pika aja jooksul tuleb teha korralisi vaheaegasid.

ÕPPIGE OMA TOODET TUNDMA

Vt lk 93.

1. Lõiketera kinnitusklemm
2. Lõiketera lukusti / vabastushoob
3. Lõikepea nurga reguleermehhanismi vabastusnurk
4. Kiirusregulaator
5. „Sisse/välja“-lülit
6. Lukustuslülit
7. Süvislõikamise lõiketera
8. 88 mm tasalõiketera
9. Lihvtaldmik
10. Lihvpaber
11. Adaptador **/**
12. Aku ühenduspesa
13. Isoleeritud haardepinnaga käepide

*Sobib kasutada koos RYOBI, RIDGID ja AEG varasemate mudelite tarvikutega. RYOBI on ettevõtte Ryobi Limited litsentsi alusel kasutatav kaubamärk. RIDGID on ettevõtte Emerson Electric Co kaubamärk. AEG on ettevõtte AB Electrolux (publ) litsentsi alusel kasutatav registreeritud kaubamärk.

*Ühilduv FEIN tarvikutega. FEIN on ettevõtte C. & E. Fein GmbH kaubamärk.

**Ühilduv DREMEL tarvikutega. DREMEL on ettevõtte Robert Bosch Tool Corporation kaubamärk.

KASUTAMINE

Seadmel on lisaadapter teiste tootjate lõiketerade, kaabitsate ja lihvistarvikute kasutamiseks Ärge kasutage seda adapterit RYOBI uue põlvkonna tarvikutega, mis on teie seadme komplektis. Kui soovite kasutada varasema põlvkonna tarvikuid firmadelt RYOBI, RIDGID ja AEG, rakendage adapter märgisega "R&F", suunates selle väljapoole. Adapteri võib muud marki tarvikute kasutamisel ümber pöörata.

- Kinnitage toorik pitskruviga, et vältida selle liikumahakkamist lihvimise või lõikamise ajal. Ärge mingil juhul hoidke toorikut kinni käega. Hetkeline libisemine töötamise ajal võib põhjustada tõsiseid kehavigastusi.
- Pehmetesse materjalidesse, näiteks puit või kipsplaat ava lõikamisel lõiketarvikutega, lähendage vibreeriv lõiketera toorikule järk-järgult. Ärge suruge vibreerivat lõiketera lõigatava materjali sisse tugevasti. Laske tootel töö ära teha ning keskendage oma tähelepanu sellele, et toode ja lõiketarvik oleks stabiilses lõikeasendis.
- Olge mittemetallist materjalide lõikamisel eriti ettevaatlik. Vibreeriv lõiketera võib enne lõikamise alustamist kõrvale kalduda. Vajaduse korral puurige enne lõikama asumist lõikejoonele mõned augud.
- Kui lõiketarvik jääb toorikusse kinni, lülitage seade välja ja ühendage toitevõrgust lahti. Kui lõiketarvikut ei õnnestu lihtsalt eemaldada, laske lõiketarvikul piisavalt jahtuda, enne kui seda eemaldama hakkate. Pange kindad kätte ja kasutage lõiketera toorikust eemaldamiseks näpitsaid ja võti.

LIIGVOOLUKAITSE

Kui ilmneb liigvool, lülitub toode automaatselt välja.

Kui toode lakkab töötamast, vabastage päästik ja vajutage seda seejärel uuesti. Toode peaks nüüd jälle töötama.

HOOLDUS

⚠ HOIATUS

Seade ei tohi mingil juhul olla toitepinge all sel ajal kui kinnitate selle osi, teete reguleerimistoiminguid, puhastate või hooldate seadet ning siis kui seda ei kasutata. Toote eemaldamine toitevõrgust hoiab ära ootamatu käivitumise, mis võib põhjustada raskeid vigastusi.

⚠ HOIATUS

Kasutage teenindamisel ainult tootja originaalvaruosi, tarvikuid ja tööorganeid. Muude osade kasutamine võib tekitada ohuolukorra ja põhjustada seadme vigastumise.

- Vältige plastosade puhastamisel lahustite kasutamist. Enamik plaste on tundlikud kaubandusvõrgust saadavate lahustite suhtes ja võivad nende mõjul oma omadusi kaotada. Tolmust, õlist, määrdest ja muust mustusest puhastamiseks kasutage puhast riidelappi.

⚠ HOIATUS

Ärge laske plastosadel mitte mingil juhul sattuda kokkupuutesse auto pidurivedeliku, bensiini, bensiinipõhiste toodete, immutusõlidega või muude samalaadsete vedelikega. Kemikaalid võivad kahjustada, nõrgendada või hävitada plastiku, mis võib omakorda põhjustada vigastusi kasutajale.

⚠ HOIATUS

Kõik remonttööd tuleb lasta teha volitatud hoolduskeskuses, et tagada masina ohutus ja tööväime.

Kipsplaadi ja seinaplaatide tolm on abrasiivne ja võib põhjustada seadme tõrkeid, kui sellel lasta mootori sisemusse sattuda. Puhastage seade pärast kasutamist põhjalikult harja või imuriga. Olge ettevaatlik, et mustus ei pääseks puhastamise ajal ventilatsioonivadestesse. Ärge kasutage seadme puhastamiseks suruõhku, sest tolm ja kübemed võivad põhjustada raskeid silmavigastusi.

MÄÄRIMINE

Kõik selle tööriista laagrid on tehases täidetud piisava hulga kvaliteetse määrdega, mis tagab tavatingimustes nende tööväime kogu kasutusea jooksul. Seetõttu ei ole täiendav määrimine vajalik.

SÜMBOLID



Ohuhoiatus



Alalisvool



Enne seadme kasutamist lugege palun kasutusjuhend hoolega läbi.



Puit - süvis- ja tasapinnalised lõiked



Värviline metall - süvis- ja tasapinnalised lõiked



Plastik - süvis- ja tasapinnalised lõiked



Vigastuste või kahjustuste ohu vähendamiseks vältige kokkupuudet kuumade pindadega.

Ärge kõrvaldage kasutatud patareisid ning elektri- ja elektroonikaseadmete jäätmeid sortimata olmejäätmetena.

Kasutatud patareisid ning elektri- ja elektroonikaseadmete jäätmed tuleb koguda eraldi.

Patareijäätmed, akujäätmed ja jäätmetest valgusallikad tuleb seadmetest eemaldada. Taaskasutusnõuannete ja kogumispunktiga seotud teabe saamiseks pöörduge kohaliku omavalitsuse või edasimüüja poole.

Kohalike eeskirjade kohaselt võib jaemüüjatel olla kohustus kasutatud patareisid ning elektri- ja elektroonikaseadmete jäätmed tasuta tagasi võtta.

Teie panus patareide ning elektri- ja elektroonikaseadmete jäätmete korduskasutamise ja ringlussevõtu aitab vähendada toorainete nõudlust.

Patareijäätmed, mis sisaldavad eelkõige liitiumi, ning elektri- ja elektroonikaseadmete jäätmed sisaldavad väärtuslikke ja ringlussevõetavaid materjale, mis võivad keskkonda ja inimeste tervist kahjustada, kui neid ei kõrvaldata keskkonnasäästlikul viisil. Olemasolul kustutage jäätmeseadmest isikuandmed.



U razvoju ovog višenamjenskog alata dati su maksimalni prioritete sigurnosti, performansama i pouzdanosti.

NAMJENA

Ovaj višenamjenski alat namijenjen je za korištenje samo od strane odraslih osoba koje su pročitale i razumiju upute i upozorenja u ovom priručniku te se mogu smatrati odgovornim za svoje radnje.

Višenamjenski alat namijenjen je za:

- za brušenje i finišenje metala, drveta, plastike ili sličnih materijala korištenjem isporučenih abrazivnih jastučića
- za rezbarjenje i urezivanje u materijale bez žaljeza, rezanje drveta, plastike, iverice idr., korištenjem isporučenih metalnih oštrica
- za rezanje otvora u zidovima radi postavljanja prekidača ili utičnica
- za uklanjanje fuga između keramičkih pločica

Višenamjenski alat namijenjen je za rad u suhom zatvorenom prostoru, dobro ventiliranom i s odgovarajućim uvjetima ventilacije

Proizvod nije namijenjen za korištenje na mokrim materijalima i površinama.

Nemojte koristiti proizvod na bilo koji drugi način od onog za koji je namijenjen.

⚠ UPOZORENJE

Pažljivo pročitajte sva upozorenja, upute i specifikacije priložene uz alat i pogledajte crteže. Nepoštivanje svih uputa može dovesti do električnog udara, požara i / ili teške ozljede.

Spremite sva upozorenja i upute za buduće korištenje.

SIGURNOSNA UPOZORENJA ZA VIŠENAMJENSKI ALAT

- **Kad izvodite radove na mjestima gdje pribor za rezanje može doći u kontakt sa skrivenim ožičenjem ili svojim vlastitim kabelom, držite alat za izoliranu površinu za hvatanje.** Dodirivanje „žive“ žice priborom za rezanje može izložiti metalne dijelove alata električnoj energiji i može dovesti do strujnog udara na operatera.
- Uvijek nosite zaštitne naočale tijekom rada s alatom. Kada se proizvodi prašina nosite masku.

⚠ UPOZORENJE

Prašina iz određenih boja, premaza i materijala mogu uzrokovati iritacije ili alergijske reakcije u respiratornom sustavu. Prašina iz drveta poput hrasta, bukve, MDF-a i ostalog je karcinogena. Samo kvalificirani stručnjaci trebaju koristiti proizvod na materijalima koji sadrže azbest.

⚠ UPOZORENJE

Proizvod nikad ne smije biti priključen na izvor napajanja kada sastavljate dijelove, vršite podešenja, čistite, izvodite održavanje ili kada se proizvod ne koristi. Isključivanjem proizvoda s izvora napajanja sprečavaju se slučajna pokretanja proizvoda koja mogu prouzročiti ozbiljne tjelesne ozljede.

- Kada radite u zidovima, podovima ili stropovima, pazite da izbjegnute električne kabele, cijevi za plin i vodu.

⚠ UPOZORENJE

Metalni pribor postaje vruć tijekom korištenja i može uzrokovati opekline na koži ako dođe u dodir s operaterom. Nosite rukavice tijekom izmjene dodatnog pribora.

Budite pažljivi kada postavljate alat između postupaka kako biste spriječili oštećenje ili ozljede.

- Nemojte koristiti rezni pribor koji je oštećen, polomljen ili dobro ne pristaje na proizvod.
- Proizvod stvara vibracije koje pokreću alatni nastavak. Vibracije mogu uzrokovati nelagodu ako se proizvodom rukuje kroz produljeno vremensko razdoblje. Uzimajte česte stanke, posebno ako osjetite nelagodu u ruci, zglobu ili prstima. Odaberite postavku brzine koja omogućuje učinkovito završenje rada. Pročitajte odlomke ostale opasnosti i smanjenje opasnosti za više informacija o ozljedama vezanim uz vibracije.
- **Spojite uradak s uređajem za spajanje.** Odspojeni izratci mogu uzrokovati ozbiljne ozljede i oštećenje. Nemojte držati materijal kojeg brusite s rukom.
- **Nemojte koristiti veći brusni papir od potrebnog.** Dodatni produljeni papir iza podloge brusilice također može uzrokovati ozbiljne ozljede.
- Uvijek nosite zaštitne naočale i zaštitnu masku prilikom brušenja, pogotovo prilikom brušenja iznad glave.
- Mora se nositi prikladan respirator za disanje tijekom brušenja boje, nekih drva i metala kako bi se izbjeglo udisanje štetne/otrovne prašine ili zraka.
- Prašina koja nastaje tijekom korištenja proizvoda može biti štetna za zdravlje rukovatelja i nazočnih osoba. Rukovatelj i nazočne osobe ne smiju dodirivati i udisati prašinu. Nosite prikladnu masku za zaštitu od prašine.
- Nemojte strojno obrađivati nijedan od materijala koji predstavlja opasnost za zdravlje (npr. azbest).
- Raspon temperatura okoliša za alat za vrijeme rada je između 0 °C i 40 °C.
- Raspon temperatura okoliša za pohranu alata je između 0 °C i 40 °C.
- Preporučena temperatura okoliša za sustav punjača za vrijeme punjenja je između 10 °C i 38 °C.

DODATNA SIGURNOSNA UPOZORENJA ZA BATERIJU**⚠ UPOZORENJE**

Zbog izbjegavanja opasnosti od požara jednim kratkim spojem, opasnosti od ozljeda ili oštećenja proizvoda, alat, izmjenjivi akumulator ili napravu za punjenje ne uronjavati u tekućine i pobirnite se za to, da u uređaje ili akumulator ne prodiru nikakve tekućine. Korozirajuće ili vodljive tekućine kao slana voda, određene kemikalije i sredstva za bijeljenje ili proozvodi koji sadrže sredstva bijeljenja, mogu prouzročiti kratak spoj.

- Raspon temperatura okoliša za bateriju za vrijeme uporabe je između 0 °C i 40 °C.
- Raspon temperatura okoliša za pohranu baterije je između 0 °C i 20 °C.

TRANSPORTIRANJE LITIJUMSKIH BATERIJA

Transportirajte bateriju u skladu s lokalnim i nacionalnim pravilima i zakonima.

Sljedite sve specijalne zahtjeve na pakiranju i naljepnicama prilikom transporta baterije od treće strane. Osigurajte da baterija ne može doći u kontakt s drugim baterijama ili provodnim materijalima tijekom transporta tako da zaštitite izložene priključke s izolacijom, kاپicama koje ne provode energiju ili trakom. Nemojte transportirati baterije koje su polomljene ili cure. Provjerite kod kompanije koja transportira za daljnju pomoć.

PREOSTALE OPASNOSTI

Čak i kad je proizvod korišten kao što je prethodno opisano, još uvijek nije moguće potpuno isključiti ostale čimbenike opasnosti. Može doći do sljedećih opasnosti prilikom korištenja i operater mora obratiti posebnu pozornost kako bi izbjegao sljedeće:

- Ozljede uzrokovane prašinom
 - Cijelo vrijeme nosite sredstva za zaštitu očiju.
 - Nosite respiratorne maske koje sadrže odgovarajuće filtere za materijale s kojima se radi. Osigurajte odgovarajuću ventilaciju radnog mjesta.
 - Nemojte jesti, piti ili pušiti u radom području.
- povrede uzrokovane bukom i vibracijom
 - Nosite zaštitu za sluh
 - Nemojte raditi s proizvodom dulje vremensko razdoblje. Pogledajte „Smanjenje Opasnosti“.
- Opasnost od strujnog udara ako se prerežu električni kabeli
 - Uvijek držite proizvod za označene ručke. nemojte dodirivati rezne oštrice ili metalne dijelove proizvoda.

SMANJENJE OPASNOSTI

Prijavljeno je da vibracije alata kod određenih pojedinaca mogu doprinijeti stanju pod nazivom Raynaud's Syndrome. Simptomi mogu uključivati trnce, ukočenost i bjelinu prstiju, obično uočljivo po izlaganju hladnoći. Smatra se da nasljedne osobine, izlaganje hladnoći i vlazi, dijeta, pušenje i radni postupci pridonose razvoju ovih simptoma. Postoje

mjere koje operater može poduzeti kako bi smanjio moguće učinke vibracije:

- Održavajte svoje tijelo toplim u hladnim vremenskim uvjetima. Kad radite s uređajem nosite rukavice kako biste ruke i zglobove održavali toplima. Prijavljeno je da je hladnoća glavni čimbenik koji doprinosi Raynaud's Syndrome.
- Nakon svakog perioda rada vježbajte kako biste povećali cirkulaciju krvi.
- Uzimajte česte stanke u radu. Ograničite količinu izlaganja po danu.

Ako osjetite neke od simptoma ovog stanja, odmah prekinite korištenje i obratite se svome liječniku vezano uz ove simptome.

⚠ UPOZORENJE

Ozljede mogu biti uzrokovane ili izazvane produljenim vremenskim razdobljem korištenja alata. Kada koristite bilo koji alat dulje vremena, osigurajte da uzimate povremene stanke.

UPOZNAJTE SVOJ PROIZVOD

Pogledajte stranicu 93.

1. Spojnica oštrice
2. Blokada oštrice/poluga za otpuštanje
3. Glavni kut gumba za podešavanje
4. Kontrola brzine
5. Sklopka za Uklj./isklj. (ON/OFF)
6. Prekidač za zaključavanje
7. Nož za bušenje materijala (plunge cut)
8. Oštrica za ravni rez 88 mm
9. Brusna ploča
10. Brusni papir
11. Adapter */**
12. Ulaz za bateriju
13. Drška, izolirana površina za hvatanje

*Kompatibilno s ranijim generacijama pribora RYOBI, RIDGID ili AEG. RYOBI je žig korišten po licenci dobivenoj od tvrtke Ryobi Limited. RIDGID je žig tvrtke Emerson Electric Co. AEG je registrirani žig korišten po licenci dobivenoj od tvrtke AB Electrolux (publ).

**Kompatibilno s FEIN priborom. FEIN je žig tvrtke C. & E. Fein GmbH.

**Kompatibilno s DREMEL priborom. DREMEL je žig tvrtke Robert Bosch Tool Corporation.

RAD

Proizvod je opremljen s dodatnim adapterom za korištenje s dodatnim priborom drugih marki za rezanje, struganje i brušenje. Nemojte koristiti adapter s najnovijim generacijom RYOBI dodatnog pribora isporučenog s vašim alatom. Primjerice, koristite adpter sa slovima „R&F“ okrenutim prema naprijed ako želite raniju generaciju RYOBI, RIGID ili AEG dodatnog pribora. Adapter se može okrenuti za korištenje s dodatnim priborom drugih marki.

- Pričvrstite izradak sa spojnica kao biste spriječili pomicanje tijekom brušenja ili rezanja. Nikad ne držite ruku na izratku. Nenamjerno klizanje tijekom uporabe proizvoda može uzrokovati ozbiljne ozljede.

- Prilikom zarezivanja mekih materijala kao što su drvo i gipsane ploče koristite pribor za rezanje, postupno donoseći vibrirajuću oštricu na izradak. Nemojte gurati vibrirajuću oštricu u materijal koji treba rezati. Pustite da uređaj odradi posao, a vi se koncentrirajte na održavanje alatnog proizvoda i reznog nastavka u stabilnom položaju u kojem želite učiniti rez.
- Budite osobito pažljivo kada režete u materijalima u kojima nema čelika. Vibrirajuća rezna oštrica može poskočiti okolo prije početka rezanja. Ako je nužno, prije samog početka rezanja izbušite nekoliko povrta duž linije rezanja.
- Ako rezni pribor zaglavi u izratku, isključite proizvod i odspojite napajanje. Ako se rezani pribor ne može lako ukloniti, omogućite rezanom priboru adekvatno da se ohladi prije oslobađanja reznog pribora iz proizvoda. Nosite rukavice i koristite ručni alat, kao što su kliješta i ključ za uklanjanje reznog pribora od izratka.

PREKOSTRUJNA ZAŠTITA

Nakon otkrivenog preopterećenja proizvod će se automatski isključiti.

Ako proizvod prestane raditi otpustite okidač i ponovno ga pritisnite. Proizvod bi trebao ponovo početi s radom.

ODRŽAVANJE

⚠ UPOZORENJE

Proizvod nikad ne smije biti priključen na izvor napajanja kada sastavljate dijelove, vršite podešenja, čistite, izvodite održavanje ili kada se proizvod ne koristi. Isključivanjem proizvoda s izvora napajanja sprečavaju se slučajna pokretanja proizvoda koja mogu prouzročiti ozbiljne tjelesne ozljede.

⚠ UPOZORENJE

Prilikom servisiranja, koristite samo originalne zamjenske dijelove, dodatni pribor i priključke od proizvođača. Korištenje nekih drugih dijelova može dovesti do opasnosti ili uzrokovati oštećenje alat.

- Prilikom čišćenja plastičnih dijelova izbjegavajte koristiti kemijska sredstva. Većina plastika je podložna različitim vrstama komercijalnih kemijskih sredstava za čišćenje i mogu se oštetiti prilikom njihovog korištenja. Za uklanjanje nečistoća, prašine, ulja masti i drugog upotrebljavajte čistu krp.

⚠ UPOZORENJE

Nikada ne dopustite kontakt plastičnih dijelova s tekućinom za kočnice, benzinom, proizvodima na bazi petroleja, sredstvima za odmašćivanje, idr. Kemijske mogu oštetiti, oslabiti ili uništiti plastiku što može dovesti do ozbiljnih osobnih ozljeda.

⚠ UPOZORENJE

Radi veće sigurnosti i pouzdanosti, sve popravke treba izvoditi ovlašteni servisni centar.

Prašina iz žbuke i zidne ploče je abrazivna i može uzrokovati kvar proizvoda ako dođe u prostor motora. Temeljito očistite proizvod nakon korištenja četki i usisavača. Pazite da ne gurate prijavštinu u ventilacijske otvore. Nemojte koristiti komprimirani zrak za čišćenje proizvoda jer prašina i zrnca mogu dovesti do ozbiljnih povreda oka.

PODMAZIVANJE

Svi ležajevi u ovom proizvodu podmazani su s dovoljnom količinom visokokvalitetnog sredstva za podmazivanje za životni vijek proizvoda u normalnim radnim uvjetima. Stoga nije potrebno daljnje podmazivanje.

SIMBOLI



Sigurnosno upozorenje



Istosmjerna struja



Molimo da pažljivo pročitate upute prije pokretanja stroja.



Drvo - rezanje bušenjem (plunge cut) i s donje strane materijala (flush cut)



Nemetalni materijali - Rezanje bušenjem (plunge cut) i s donje strane materijala (flush cut)



Plastika - rezanje bušenjem (plunge cut) i s donje strane materijala (flush cut)



Kako biste smanjili rizik od tjelesnih ozljeda ili oštećenja opreme, izbjegavajte kontakt s vrućim površinama.

Otpadne akumulatore, otpadnu električnu i elektroničku opremu nemojte odlagati kao nesortirani komunalni otpad.

Otpadni akumulatori i otpadna električna i elektronička oprema moraju se prikupljati odvojeno.

Otpadne baterije, otpadni akumulatori i izvori svjetla moraju se ukloniti iz opreme.

Od lokalnih nadležnih tijela ili trgovca zatražite savjete koji se odnose na recikliranje i mjesto za skupljanje otpada.

U skladu s lokalnim propisima, trgovci u maloprodaji imaju obvezu besplatnog preuzimanja otpadnih baterija i otpadne električne i elektroničke opreme.

Vaš doprinos ponovnoj upotrebi i recikliranju otpadnih baterija i otpadne električne i elektroničke opreme pomaže u smanjenju potrebe za sirovinama.

Otpadne baterije, osobito one koje sadrže litij i električna i elektronička oprema sadrži i vrijedne materijale koje je moguće reciklirati, koji mogu negativno utjecati na okoliš i ljudsko zdravlje, ako se ne uklanja na način ekološki sukladan s okolišem.

Izbrišite osobne podatke iz otpadne opreme, ako ih ima.

Varnost, učinkovitost in zanesljivost so bile pri načrtovanju vašega večnamenskega orodja ključnega pomena.

NAMEN UPORABE

Večnamensko orodje je namenjeno odraslim, ki so prebrali in razumejo navodila in opozorila v tem priročniku in ki so odgovorni za svoja dejanja.

Večnamensko orodje je namenjeno:

- za peskanje in končno obdelavo kovin, lesa, plastike ali podobnih materialov s priloženimi blazinicami za z abrazivnimi listi
- za strganje in potopno rezanje v barvne kovine, les, plastiko, mavčne plošče itd. s priloženimi kovinskimi rezili
- za rezanje odprtih v stene za namestitve stikal ali vtičnic
- za odstranjevanje fug med keramičnimi ploščicami

Večnamensko orodje je namenjen za uporabo v notranjih prostorih, na suhem, dobro osvetljenem in primerno prezračenem mestu.

Izdelek ni namenjen za uporabo na mokrih materialih in površinah.

Izdelka ne uporabljajte na noben način, ki ni predpisan za to napravo.

⚠ OPOZORILO

Preberite vsa varnostna opozorila, navodila, ilustracije in specifikacije, ki so priložene temu električnemu orodju. Če ne upoštevate opozoril in navodil, lahko pride do električnega udara, ognja in/ali hudih poškodb.

Vsa opozorila in vsa navodila shranite za bodočo referenco.

VARNOSTNA OPOZORILO ZA VEČNAMENSKO ORODJE

- **Električno orodje držite pri delu za izolirane držalne površine.** Če se pripomočki za rezanje dotaknejo žice, ki je pod električno napetostjo, lahko izpostavljeni kovinski deli električnega orodja povzročijo električni udar.
- Pri uporabi orodja vedno nosite zaščitna očala. Nosite zaščitno masko, če nastaja prah.

⚠ OPOZORILO

Prah z določenih delov, premazi in materiali lahko povzročijo draženje ali alergijske reakcije dihal. Prah z lesa, kot je hrast, bukev, MDF-plošče ali drugi, je karcinogen. Izdelek smejo na materialih, ki vsebuje azbest, uporabljati le izkušeni strokovnjaki.

⚠ OPOZORILO

Ko sestavljate dele, prilagajate, čistite ali vzdržujete orodje, ali ko izdelka ne uporabljajte, ga nikoli ne imejte priključenega na vir napajanja. Če izdelek izklopite iz napajanja, preprečite nenameren zagon, ki bi lahko povzročil resne telesne poškodbe.

- Pri delu v stenah, stropih ali tleh pazite, da se izognite električnim kablom ali plinskimi ali vodovodnim napeljavam.

⚠ OPOZORILO

Kovinski dodatki se bodo med uporabo segreti in lahko povzročijo opekline kože. Med menjavanjem dodatkov nosite rokavice.

Ko odlagate orodje pazite, da preprečite materialno škodo ali telesne poškodbe.

- Ne uporabljajte dodatkov za rezanje, ki so poškodovani, počeni ali se nepravilno prilegajo v izdelek.
- Izdelek ustvarja vibracije, ki povzročajo premikanje dodatkov. Vibracije lahko ob dolgotrajni uporabi izdelka povzročijo neugodje. Delajte redne premore, predvsem če čutite neugodje v roki, zapestju ali prstih. Izberite nastavitve hitrosti, s katero boste delo učinkovito opravili. Preberite razdelka Preostala tveganja in Zmanjševanje tveganj za več informacij o poškodbah, povezanih s tresljaji.
- **Obdelovanec vpnite z vpenjalno napravo.** Obdelovanci, ki niso vpeti, lahko povzročijo hude poškodbe in škodo. Materiala, ki ga peskate, ne držite z roko.
- **Ne uporabljajte večjega brusilnega papirja, kot ga potrebujete.** Če papir sega preko brusilne blazinice, se lahko resno poškodujete.
- Uvijek nosite zaščitne naočale i zaštitnu masku prilikom brušenja, pogotovo prilikom brušenja iznad glave.
- Mora se nositi prikladan respirator za disanje tijekom brušenja boje, nekih drva i metala kako bi se izbjeglo udisanje štetne/otrovne prašine ili zraka.
- Prašina koja nastaje tijekom korištenja proizvoda može biti štetna za zdravlje rukovatelja i nazočnih osoba. Rukovatelj i nazočne osobe ne smiju dodirivati i udisati prašinu. Nosite prikladnu masku za zaštitu od prašine.
- Nemojte strojno obrađivati nijedan od materijala koji predstavlja opasnost za zdravlje (npr. azbest).
- Temperatura okolja delovanja orodja je med 0 °C in 40 °C.
- Temperatura okolja shranjevanja orodja je med 0 °C in 40 °C.
- Priporočena temperatura okolja za polnilni sistem med polnjenjem je med 10 °C in 38 °C.

DODATNA VARNOSTNA OPOZORILO ZA BATERIJO

⚠ OPOZORILO

V izogib, s kratkim stikom povzročene nevarnosti požara, poškodb ali okvar na proizvodu, orodja, izmenljivega akumulatorja ali polnilne naprave ne potaplajte v tekočine in poskrbite, da ne bo prihajalo do vdora tekočin v naprave in akumulatorje. Korozivne ali prevodne tekočine, kot so slana voda, določene kemikalije in belila ali proizvodi, ki le ta vsebujejo, lahko povzročijo kratek stik.

EN
FR
DE
ES
IT
ES
NL
PT
DA
SV
FI
NO
RU
PL
CS
HU
RO
LV
LT
ET
HR
SL
SK
BG
UK
TR
EL

- Temperatura okolja za baterijo (izdelek) je med 0 °C in 40 °C.
- Temperatura okolja za shranjevanje baterije je med 0 °C in 20 °C.

PREVAŽANJE LITIJEVIH AKUMULATORJEV

Akumulator prevažajte v skladu z lokalnimi in državnimi uredbami in predpisi.

Upošteвайте vse posebne zahteve glede pakiranja in označevanja, kadar prevoz opravlja tretja oseba. Zagotovite, da akumulatorji med prevozom ne morejo priti v stik z drugimi akumulatorji ali prevodnimi materiali, tako da zaščitite izpostavljene konektorje z neprevodnimi izolacijskim pokrovciki ali trakom. Ne prevažajte poškodovanih akumulatorjev oz. akumulatorjev, ki puščajo. Za nadaljnje informacije se obrnite na posredništvo.

PREOSTALA TVEGANJA

Nekateri preostalih dejavnikov tveganja ni mogoče povsem odpraviti, tudi če ta izdelek uporabljate v skladu z navodili. Med uporabo se lahko pojavijo nekatere nevarnosti, upravljavec pa naj bo pozoren na naslednje:

- Poškodbe zaradi prahu
 - Vedno nosite zaščito za oči.
 - Nosite zaščitne dihalne maske s primernimi filtri za obdelovane materiale. Zagotovite primerno prezračevanje prostora.
 - V delovnem območju je prepovedano jesti, piti in kaditi.
- poškodbe zaradi hrupa in vibracij
 - Nosite zaščito za ušesa
 - Izdelka ne uporabljajte predolgo. Glejte »Zmanjševanje Tveganj«.
- Nevarnost električnega udara, če vrtate v električne kable
 - Izdelek vedno držite za ustrezne ročaje. Ne dotikajte se rezil ali kovinskih delov izdelka.

ZMANJŠANJE TVEGANJA

Poročali so že, da lahko vibracije ročnih orodij pri nekaterih posameznikih pripomorejo k razvoju Raynaudovega sindroma. Simptomi so lahko mravljinци, otrplost in pobeljeni prsti, kar je običajno vidno, kadar je oseba izpostavljena mrazu. Dnedni dejavniki, izpostavljenost mrazu in vlagi, dieta, kajenje in delovne navade naj bi pripomogle k razvoju teh simptomov. Za zmanjšanje učinkov vibracij lahko upravljavec upošteva naslednja navodila:

- Poskrbite, da bo vaše telo na mrazu toplo. Med upravljanjem nosite rokavice in tako ohranjajte toploto vaših dlani in zapestij. Kot poročajo, je mraz glavni dejavnik, ki prispeva k Raynaudovemu sindromu.
- Po vsakem obdobju upravljanja naprave telovadite in tako pospešite krvni obtok.
- Pogosto si vzemite odmor. Omejite dnevno količino izpostavljenosti.

Če zaznavate kakršnekoli simptome takšnega stanja, takoj prenehajte z uporabo naprave in se posvetujte z zdravnikom.

⚠ OPOZORILO

Zaradi daljše uporabe orodja lahko pride do poškodb oz. se morebitne poškodbe poslabšajo. Kadar orodje uporabljate dalj časa, si večkrat vzemite odmor.

SPOZNAJTE SVOJ IZDELEK

Glej stran 93.

1. Objemka rezila
2. Ročica za zaklep/sprostitev rezila
3. Gumb za sprostitev oz. prilagoditev naklona glave
4. Upravljanje hitrosti
5. Stikalo za vklop/izklop
6. Varovalno stikalo
7. Potopno rezilo
8. 88 mm prebodno rezilo
9. Brusna podloga
10. Brusni papir
11. Adapter */**
12. Priklop za bateriji
13. Ročaj, izolirano držalo

*Združljivo s prejšnjimi generacijami dodatkov RYOBI, RIDGID ali AEG. RYOBI je blagovna znamka, ki se uporablja z dovoljenjem podjetja Ryobi Limited. RIDGID je blagovna znamka podjetja Emerson Electric Co. AEG je registrirana blagovna znamka, ki se uporablja z dovoljenjem podjetja AB Electrolux (publ).

*Združljiv z dodatki FEIN . FEIN je blagovna znamka podjetja C. & E. Fein GmbH.

**Združljiv z dodatki DREMEL . DREMEL je blagovna znamka podjetja Robert Bosch Tool Corporation.

DELOVANJE

Izdelek je dobavljen z dodatnim nastavkom za uporabo z drugimi znamkami dodatkov za rezanje, strganje in brušenje. Nastavka ne uporabljate z najnovejšo generacijo dodatkov RYOBI, ki so priloženi izdelku. Primer: uporabite nastavek s črkama "R&F", ki gledata navzven, če želite uporabiti prejšnjo različico nastavkov RYOBI, RIDGID ali AEG. Nastavek lahko obrnete okrog za uporabo z drugimi znamkami dodatkov.

- Obdelovanec pritrdite s sponko, da se med brušenjem ali rezanjem ne bo premaknil. Obdelovanca nikoli ne držite z roko. Če vam zdrsne, medtem ko uporabljate izdelek, se lahko z izdelkom hudo telesno poškodujete.
- Pri potopnih rezih z rezilnim nastavkom v mehke materiale, kot sta les in mavčne plošče, počasi približujte rezilo k obdelovancu. Ne pritiskajte rezila močno v material, ki ga režete. Pustite izdelku, da opravi delo, in se osredotočite na zagotavljanje stabilnosti izdelka ter dodatka v položaju, v katerem želite izvesti rez.
- Bodite izredno previdni pri rezanju v barvne kovine. Vibracijsko rezilo lahko zdrsne, preden začne rezati. Pred začetkom rezanja po potrebi izvrtajte nekaj lukenj vzdolž linije, po kateri želite rezati.
- Če se rezilo zagodzi v obdelovanec, izključite izdelek in ga odklopite iz električnega napajanja. Če rezilnega nastavka ni mogoče enostavno odstraniti, pustite, da se dovolj ohladi, preden rezilni nastavek snamete z izdelka. Nosite rokavice in uporabite ročno orodje, kot so kleščice in kluč, da iz obdelovanca odstranite rezilni nastavek.

NADTOKOVNA ZAŠČITA

Ob zaznavanju nadtoka se izdelek samodejno izklopi.

Če izdelek preneha delovati, spustite sprožilec in ga nato ponovno aktivirajte. Izdelek bi moral ponovno začeti delovati.

VZDRŽEVANJE**⚠ OPOZORILO**

Ko sestavljate dele, prilagajate, čistite ali vzdržujete orodje, ali ko izdelka ne uporabljate, ga nikoli ne imejte priključenega na vir napajanja. Če izdelek izklopate iz napajanja, preprečite nenameren zagon, ki bi lahko povzročil resne telesne poškodbe.

⚠ OPOZORILO

Za servisiranje uporabljajte le proizvajalčeve originalne nadomestne dele, dodatke in nastavke. Uporaba drugih delov lahko pomeni tveganje ali povzroči škodo na izdelku.

- Pri čiščenju plastičnih delov se izogibajte toplom. Večina vrst plastik se lahko pri uporabi različnih komercialnih topil poškoduje. Za odstranjevanje umazanije, saj in podobnega uporabljajte čisto krpo.

⚠ OPOZORILO

Zavorna tekočina, gorivo, izdelki na osnovi nafte, prodirajoče olje ipd. nikoli ne smejo priti v stik s plastičnimi deli. Kemikalije lahko poškodujejo, oslabijo ali uničijo plastiko, kar lahko ima za posledico tudi resne telesne poškodbe.

⚠ OPOZORILO

Zaradi večje varnosti in zanesljivosti naj vsa popravila izvaja pooblaščen servisni center.

Mavčni prah in prah stenskih plošč je abraziven in lahko povzroči prezgodnjo okvaro izdelka, če vstopi v območje motorja. Temeljito očistite izdelek po uporabi s krtačko in sesalnikom. Pazite, da ne potisnete umazanije v odprtine za prezračevanje. Za čiščenje izdelka ne uporabljajte stisnjenega zraka, ker lahko prah in pesek povzročita resne poškodbe oči.

MAZANJE

Vsi ležaji na napravi so namazani z dovolj kakovostnega maziva, tako da mazanje naprave ob normalni uporabi do konca življenjske dobe naprave ni več potrebno. Zato dodatno mazanje ni potrebno.

SIMBOLI

Varnostno opozorilo



Enosmerni tok



Prosimo, da si pred zagonom naprave pazno preberete navodila



Les - potopni in ravni rezi



Neželezne kovine - potopni in ravni rezi



Plastika - potopni in ravni rezi



Za zmanjšanje nevarnosti telesne poškodbe ali poškodbe predmetov preprečite stik z vročimi površinami.

Odpadnih baterij in odpadne električne in elektronske opreme ne odlagajte med nesortirane gospodinjne odpadke.

Odpadne baterije in odpadno električno in elektronsko opremo je treba zbirati ločeno.

Odpadne baterije, odpadne akumulatorje in svetlobne vire je treba odstraniti iz opreme.

Glede recikliranja in zbirališča se posvetujte z lokalnim organom ali prodajalcem.

Skladno z lokalnimi predpisi morajo trgovci na drobno odpadne baterije in odpadno električno in elektronsko opremo morda brezplačno prevzeti.

Vaš prispevek k ponovni uporabi in recikliranju odpadnih baterij in odpadne električne in elektronske opreme pomaga zmanjšati zahteve po surovinah.

Odpadne baterije, predvsem tiste, ki vsebujejo litij, in odpadna električna in elektronska oprema vsebujejo dragocene materiale in materiale, ki jih je mogoče reciklirati, in lahko v primeru, da se ne odložijo na način, skladen z okoljem, negativno vplivajo na okolje in zdravje ljudi.

Če so v odpadni opremi shranjeni osebni podatki, jih izbrišite.

Na dosiahnutie jednoduchej obsluhy a prevádzky boli pri navrhovaní tohto multifunkčného nástroja najvyššou prioritou bezpečnosť, výkon a spoľahlivosť.

ÚČEL POUŽITIA

Tento multifunkčný nástroj je určený len na použitie dospelými osobami, ktoré si prečítali a porozumeli pokynom a výstrahám v tomto návode a možno ich považovať za zodpovedajúce za svoje činy.

Tento multifunkčný nástroj je určený na:

- na brúsenie a leštenie kovu, drevu, plastu alebo podobných materiálov pomocou pribalených brúsnych podložiek,
- na stieranie a prepíľovanie do neželezných kovov, dreva, plastov, sadrokartónu a pod. s použitím metalických rezacích ostrí,
- na rezanie otvorov do stien na prispôbenie spínačov alebo elektrických zásuviek,
- na odstraňovanie injektaže medzi keramikými obkladačkami,

Tento multifunkčný nástroj je určený na použitie v interiéri v suchom, dobre osvetlenom a dostatočne vetranom prostredí.

Tento produkt nie je vhodný na použitie na mokrých materiáloch a povrchoch.

Tento produkt nepoužívajte žiadnym iným spôsobom, ako je uvedené v účele použitia.

VAROVANIE

Prečítajte si všetky výstrahy, pokyny, vyobrazenia a špecifikácie dodané k tomuto elektrickému nástroju. Pri nedodržaní týchto výstrah a pokynov môže dôjsť k úrazu elektrickým prúdom, požiaru a/alebo závažnému poraneniu

Odložte všetky výstrahy a pokyny pre budúce použitie.

MULTIFUNKČNÝ NÁSTROJ – BEZPEČNOSTNÉ VÝSTRAHY

- **Pri vykonávaní operácie, kedy môže rezacie príslušenstvo prísť do kontaktu so skrytým vedením, držte nástroj za izolované úchopné miesta.** Pri kontakte rezacieho príslušenstva so „živým“ vodičom by mohli byť obnažené kovové diely pod prúdom a spôsobiť obsluhujúcemu úder elektrickým prúdom.
- Pri práci so zariadením vždy používajte ochranné okuliare. Keď pri práci vzniká prach, používajte protiprachovú masku.

VAROVANIE

Prach z niektorých farieb, náterov a materiálov môže spôsobiť podráždenie alebo alergické reakcie dýchaciemu systému. Prach z dreva, napríklad, dubu, buku MDF a iných, je karcinogénny. Na materiáloch obsahujúcich azbest je povolené používať produkt len kvalifikovaných odborníkom.

VAROVANIE

Tento produkt sa nikdy nesmie pripájať do elektrickej siete, keď montujete diely, vykonávate úpravy, čistíte alebo vykonávate údržbu, alebo keď produkt nepoužívate. Odpojenie výrobku od zdroja napájania zabráni náhodnému spusteniu, ktoré by mohlo spôsobiť vážne poranenie.

- Pri práci na stenách, stropoch alebo dlážkach dávajte pozor, aby ste nezasiahli elektrické káble a plynové či vodovodné potrubie.

VAROVANIE

Metalické príslušenstvo sa pri práci zohreje na vysokú teplotu a mohlo by pri kontakte s obsluhujúcou osobou spôsobiť popálenie kože. Pri výmene príslušenstva používajte rukavice.

Pri pokladaní nástroja medzi operáciami buďte opatrní, aby nedošlo k poškodeniu alebo poraneniu.

- Nepoužívajte rezacie príslušenstvo, ktoré je poškodené, prasknuté alebo sa nedá pevne nasadiť do produktu.
- Výrobok vytvára vibrácie, ktoré spôsobujú pohyb príslušenstva. Vibrácie môžu pri dlhodobom používaní výrobku spôsobovať nepohodlie. Často si urobte prestávku, hlavne ak pociťujete nepohodlie v ruke, zápästí či prstoch. Vyberte nastavenie rýchlosti, ktoré vykoná prácu čo najúčinnejšie. Prečítajte si sekcia Zvyšková rizikovosť a Redukcia rizika, kde nájdete bližšie informácie o zraneniach spôsobených vibráciami.
- **Upnite obrobok pomocou upínacieho zariadenia.** Neupnuté obroby môžu spôsobiť závažné poranenie a škody. Nedržte brúsený materiál rukou.
- **Ne uporabljajte večjega brusnega papirja, kot je potrebno.** Tudi prevelik papir, ki sega preko brusne podloge, lahko povzroči resne poškodbe.
- Pri brúsení vždy noste ochranné okuliare a protiprachovú masku.
- Pri brúsení olovených farieb, dreva a kovov treba nosiť plynovú masku aby ste predošli zdychaniu škodlivých/jedovatých látok zo vzduchu.
- Prach vznikajúci pre používanie tohto výrobku môže byť škodlivý pre zdravie obsluhy a okolostojacich. Obsluha ani okolostojaci sa nesmú prachu dotýkať ani ho vdychovať. Používajte vhodnú masku na ochranu pred prachom.
- Nepracujte s materiálmi, ktoré ohrozujú zdravie (napr. azbest).
- Rozsah okolitej teploty počas prevádzkovania náradia je 0 °C až 40 °C.
- Rozsah okolitej teploty počas skladovania náradia je 0 °C až 40 °C.
- Odporúčaný rozsah okolitej teploty pre nabíjací systém počas nabíjania je 10 °C až 38 °C.

DOPLNKOVÉ BEZPEČNOSTNÉ VÝSTRAHY PRE BATÉRIU**VAROVANIE**

Aby ste zabránili nebezpečenstvu požiaru spôsobeného skratom, poraneniam alebo poškodeniam výrobku, neponárajte náradie, výmennú batériu alebo nabíjačku do kvapalín a postarajte sa o to, aby do zariadení a akumulátorov nevnikli žiadne tekutiny. Korodujúce alebo vodivé kvapaliny, ako je slaná voda, určité chemikálie a bieliace prostriedky alebo výrobky, ktoré obsahujú bielidlo, môžu spôsobiť skrat.

- Rozsah okolitej teploty počas používania batérie je 0 °C až 40 °C.
- Rozsah okolitej teploty počas skladovania batérie je 0 °C až 20 °C.

PREPRAVA LÍTIOVÝCH AKUMULÁTOROV

Akumulátor prepravujte v súlade s miestnymi smernicami a nariadeniami.

Keď akumulátory prepravuje tretia strana, dodržiavajte všetky požiadavky na balení a označení. Zabezpečte, aby počas prepravy akumulátory neprišli do kontaktu s inými akumulátormi ani vodivými materiálmi – chráňte obnažené konektory pomocou izolácie, nevodivými viečkami alebo páskou. Neprepravujte akumulátory, ktoré sú prasknuté alebo vytekajú. Ďalšie pokyny zistíte u nasledujúcej spoločnosti.

ZVYŠKOVÁ RIZIKOVOSŤ

Aj keď sa nástroj používa podľa predpisu, nie je možné eliminovať určité zvyškové rizikové faktory. Pri použití vznikajú nasledujúce riziká a obsluhujúca osoba musí venovať zvláštnu pozornosť, aby nedošlo k nasledovnému:

- Zranenie spôsobené prachom
 - Neustále používajte ochranu zraku.
 - Používajte dýchacie masky obsahujúce filtre vhodné pre obrábané materiály Zabezpečte primerané vetranie pracoviska.
 - Na pracovisku nejeďte, nepite ani nefajčíte.
- poranenie spôsobené hlukom a vibráciami
 - Noste ochranu sluchu
 - Nepoužívajte produkt príliš dlhé časové obdobia. Pozrite časť "Znižovanie Rizika".
- Pri prerezaní elektrických káblov hrozí nebezpečenstvo usmrtenia elektrickým prúdom
 - Produkt vždy držte za určené rukoväte. Nedotýkajte sa rezných ostrí ani kovových častí produktu.

OBMEDZENIE RIZIKA

Boli hlásené prípady, kedy vibrácie z ručných nástrojov u niektorých osôb prispeli k stavu nazývanému Raynaudov syndróm. K symptómom patria: tŕpnutie, znecitlivenie a blednutie prstov, zvyčajne zjavné po vystavení zime. Je známe, že k vývoju týchto symptómov prispievajú: dedičné faktory, vystavovanie zime a vlhkosti, diéta, fajčenie a pracovné návyky. Opatrenia, ktoré môže vykonať obsluhujúca osoba na možné zníženie účinkov vibrácií:

- V studenom počasí udržiavajte svoje telo v teple. Pri práci so zariadením noste rukavice, aby ste mali ruky a zápästia v teple. Boli hlásené prípady, kedy hlavným faktorom prispievajúcim k Raynaudovmu syndrómu bolo studené počasie.
- Po každom určitom časovom úseku prevádzky cvičte, aby ste zlepšili krvný obeh.
- Počas práce si dajte časté prestávky. Obmedzte počet vystavení za deň.

Ak zistíte ktorýkoľvek zo symptómov tohto stavu, okamžite prerušte používanie zariadenia, navštívte svojho lekára a povedzte mu o symptómoch.

VAROVANIE

Dlhodobé používanie nástroja môže spôsobiť alebo zhoršiť poranenia. Pri používaní nástroja príliš dlhé obdobia si vždy dajte pravidelné prestávky.

OBOZNÁMTE SA S VAŠIM PRODUKTOM

Viď strana 93.

1. Svorka čepele
2. Poistka upínača ostria / páčka uvoľnenia
3. Uvoľňovacie tlačidlo nastavenia uhla hlavy
4. Ovládanie rýchlosti
5. Hlavný spínač
6. Poistný spínač
7. Nôž na zapichovacie rezanie
8. 88 mm ostrie na úrovňové rezy
9. Brúsna podložka
10. Pieskový papier
11. Adaptér **
12. Otvor na akumulátory
13. Rúčka, izolovaný povrch na držanie

*Kompatibilné s predchádzajúcimi generáciami príslušenstva RYOBI, RIDGID a AEG. RYOBI je ochranná známka používaná na základe licencie od spoločnosti Ryobi Limited. RIDGID je ochranná známka spoločnosti Emerson Electric Co. AEG je registrovaná ochranná známka používaná na základe licencie od spoločnosti AB Electrolux (publ).

**Kompatibilný s príslušenstvom FEIN. FEIN je ochranná známka spoločnosti C. & E. Fein GmbH.

***Kompatibilný s príslušenstvom DREMEL. DREMEL je ochranná známka spoločnosti Robert Bosch Tool Corporation.

PREVÁDZKA

Produkt sa dodáva s extra adaptérom na použitie s príslušenstvom na rezanie, stieranie a brúsenie iných značiek. Tento adaptér nepoužívajte s poslednou generáciou príslušenstva RYOBI dodávaného s nástrojom. Napríklad, ak chcete používať staršiu generáciu príslušenstva RYOBI, RIDGID alebo AEG, použite príslušenstvo s písmenami „R&F“ smerujúcimi von. Adaptér možno pretočiť a použiť s inými značkami príslušenstva.

- Obrobky zaistíte svorkou, aby nedošlo k ich pohybu pri operáciách brúsenia alebo rezania. Nikdy nekladte ruku na obrobok. Môže dôjsť k neúmyselnému zošmyknutiu a následne k závažnému osobnému poraneniu.
- Pri vykonávaní zapichovacieho rezu do mäkkých

materiálov ako drevo alebo drevotrieska s použitím rezacieho príslušenstva postupne zavádzajte vibrujúce ostrie do obrobku. Netlačte príliš vibrujúce ostrie do materiálu, ktorý chcete rezať. Nechajte výrobok vykonávať činnosť a sústreďte sa na zachovanie stability výrobku a rezného náradia v polohe pre požadovaný rez.

- Pri rezaní do neželezných materiálov buďte veľmi opatrní. Vibrujúce rezné ostrie môže pred začatím rezu odkakovať nabok. Ak je to potrebné, pred rezaním vyvrtajte niekoľko otvorov pozdĺž línie rezania.
- Ak sa rezacie príslušenstvo zasekne v obrobku, vypnite produkt a odpojte ho z elektrickej siete. Ak rezacie príslušenstvo nemožno ľahko odstrániť, predtým, ako uvoľníte rezacie príslušenstvo z produktu, nechajte ho dostatočne vychladnúť. Pri odstraňovaní rezacieho príslušenstva z obrobku používajte rukavice a použite ručný nástroj ako kliešte a francúzsky kľúč.

OCHRANA PRED NADPRÚDOM

Pri zistení nadprúdu sa výrobok automaticky vypne.

Ak výrobok prestane fungovať, uvoľnite vypínač a následne ho znova stlačte. Výrobok by sa mal znova začať fungovať.

ÚDRŽBA

VAROVANIE

Tento produkt sa nikdy nesmie pripájať do elektrickej siete, keď montujete diely, vykonávate úpravy, čistíte alebo vykonávate údržbu, alebo keď produkt nepoužívate. Odpojenie výrobku od zdroja napájania zabráni náhodnému spusteniu, ktoré by mohlo spôsobiť vážne poranenie.

VAROVANIE

Pri servise používajte len originálne náhradné diely, príslušenstvo a nástavce výrobcu. Použitie iných dielov môže predstavovať riziko alebo spôsobiť poškodenie produktu.

- Vyhýbajte sa použitiu rozpúšťadiel pri čistení plastových častí. Veľšina plastických materiálov je občutlivo na rozličné vrstvy komerčially dostupných topil in jinh z njihovo uporabo lahko poškozujemo. Na odstránenie špiny, uhľikového prachu a pod. použite čisté tkaniny.

VAROVANIE

Dbajte na to, aby do kontaktu s plastovými dielmi nikdy neprišli do kontaktu brzdové kvapaliny, benzín, ropné produkty, prenikavé oleje a pod. Chemikálie môžu poškodiť, oslabiť, alebo zničiť plastové časti a tak spôsobiť vážne zranenie.

VAROVANIE

Pre vyššiu bezpečnosť a spoľahlivosť sa musia všetky opravy vykonávať v autorizovanom servisnom centre.

Prach zo sadrokartónu a stenových dosiek je abrazívny

a môže spôsobiť predčasnú poruchu produktu, pokiaľ prenikne do priestoru motora. Produkt po použití dôkladne vyčistite pomocou kefy a vysávača. Dávajte pozor, aby ste nezatlačili nečistoty do vetracích otvorov. Na čistenie produktu nepoužívajte stlačený vzduch, lebo prach a štrk môže spôsobiť závažné poranenie zraku.

MAZANIE

Všetky ložiská v produkte sú namazané dostatočným množstvom mazivom vysokej akosti na celú životnosť produktu pri bežných prevádzkových podmienkach. Preto nie je potrebné žiadne ďalšie mazanie.

SYMBOLY



Buďte ostražití



Jednosmerný prúd



Pred zapnutím zariadenia si prosím prečítajte inštrukcie



Drevo – zapichovacie a zapustené rezanie



Nekovový materiál – zapichovacie a zapustené rezanie



Plasty – zapichovacie a zapustené rezanie



Aby ste znížili riziko poškodenia, zabráňte kontaktu s horúcim povrchom.

Odpadové batérie a akumulátory a odpadové elektrické a elektronické zariadenia nelikvidujte ako netriedený komunálny odpad. Odpadové batérie a akumulátory a odpadové elektrické a elektronické zariadenia sa musia zbierať separovane.

Odpadové batérie, odpadové akumulátory a svetelné zdroje treba z výrobku vybrať. Pokyny na recykláciu a miesta recyklácie zistíte u svojho miestneho orgánu alebo predajcu.

Podľa miestnych predpisov môžu mať maloobchodníci povinnosť bezplatne prevziať odpadové batérie a akumulátory a odpadové elektrické a elektronické zariadenia.

Váš príspevok k opätovnému použitiu a recyklácii odpadových batérií a akumulátorov a odpadových elektrických a elektronických zariadení pomáha znížiť dopyt po surovinách.

Odpadové batérie a akumulátory, konkrétne tie, ktoré obsahujú lítium, a odpadové elektrické a elektronické zariadenia obsahujú cenné a recyklovateľné materiály, ktoré môžu mať nepriaznivý vplyv na životné prostredie a ľudské zdravie, ak sa nelikvidujú ekologicky vhodným spôsobom.

Odstráňte prípadné osobné údaje z odpadového zariadenia.

Безопасността, работните характеристики и надеждността са аспектите, на които е отделен най-голям приоритет при проектирането на вашия мулти-инструмент.

ПРЕДНАЗНАЧЕНИЕ

Мулти-инструментът е предназначен за използване само от възрастни, които са прочели и разбрали указанията и предупрежденията в настоящото ръководство и могат да се считат отговорни за действията си.

Изделието е предназначено да се използва:

- за шлифване и окончателно обработване на метал, дърво, пластмаси или подобни материали, чрез използване на шлифовъчна подложка с предоставените оформени шлифовъчни листове
- за шаброване и обработване чрез връзване в цветни метали, дърво, пластмаси, гипсокартон и т.н. с помощта на предоставените метални режещи остриета
- за рязане на отвори в стени за поставяне на електрически ключове или контакти
- за премахване на материал от фуги между керамични плочки

Изделието е предназначено за работа на закрито при сухи, добре осветени и съответно вентилирани условия.

Изделието не е предназначено да се използва върху влажни материали или повърхности.

Не използвайте продукта по начини, различни от посочените.

⚠ ПРЕДУПРЕЖДЕНИЕ

Прочетете всички предупреждения за безопасност инструкции, илюстрации и спецификации, предоставени с този електрически инструмент. Неспазването на инструкциите, изброени по-долу, може да доведе до електрически удар, пожар и/или тежки физически травми.

Съхранявайте всички предупреждения и инструкции за бъдещи справки.

ОБЩИ ПРЕДУПРЕЖДЕНИЯ ЗА БЕЗОПАСНОСТ

- **Дръжте електрическия инструмент за изолираните повърхности за хващане, когато извършвате операция, при която режещият аксесоар може да влезе в контакт със скрити проводници.** Режещ аксесоар, който влезе в контакт с проводник, по който тече ток, може да доведе до протичането на ток по неизолираните метални части на електрическия инструмент и да причини токов удар на оператора.
- Винаги носете предпазни очила при използването на машината. Носете противопрахова маска, когато се образува прах.

⚠ ПРЕДУПРЕЖДЕНИЕ

Прахът от определени бои, покрития и материали може да причини дразнене или алергични реакции. Прахът от дървесина, напр. дъб, бук, MDF и др., е канцероген. Само на квалифицирани специалисти трябва да бъде разрешено да използват изделия от материали, съдържащи азбест.

⚠ ПРЕДУПРЕЖДЕНИЕ

Продуктът не трябва никога да се включва в захранване, когато сглобявате части, правите настройки, почиствате, извършвате поддръжка или когато не го използвате. Изключването на продукта от захранването ще предотврати случайно стартиране, което би могло да причини сериозни наранявания.

- Когато работите в стени, тавани или подове, избягвайте засягането на електрически кабели, газове и водни тръби.

⚠ ПРЕДУПРЕЖДЕНИЕ

Металните принадлежности ще се нагорещат по време на използване, което може да доведе до изгаряния по кожата, ако бъдат докоснати от оператора. Носете ръкавици, когато сменяте принадлежностите.

Внимавайте, когато оставяте инструмента на пода между операциите, за да предотвратите повреда или нараняване.

- Не използвайте принадлежности за рязане, които са повредени, напукани или не пасват плътно към изделието.
- Изделието създава вибрации, които движат принадлежността. Възможно е вибрациите да причинят дискомфорт, ако изделието се експлоатира в продължение на дълги периоди от време. Често си правете почивки, особено ако почувствате дискомфорт в ръката, китката или пръстите. Изберете настройка на скоростта, чрез която ефективно ще свършите работата. Прочетете разделите Остатъчните рискове и Намаляване на риска за повече информация относно наранявания, свързани с вибрации.
- **Закрепете работния детайл с устройство за захващане.** Незакрепени обработвани детайли могат да причинят сериозно нараняване или щети. Не дръжте материала, който шлифовате, с ръка.
- **Не използвайте шкурка, по-голяма от необходимото.** Шкурка, която излиза извън шлифовъчната подложка, може да причини сериозни разкъсвания.
- Винаги носете предпазни очила и маска против прах, когато шлифовате, по-специално, когато шлифовате над главата си.
- Трябва да се носи подходящ дихателен респиратор, докато се шлифова оловна боя, някои видове дърво и метал, за да се избегне вдишването на вреден/токсичен прах или въздух.
- Прахът, произведен при използването на продукта, може да бъде вреден за здравето на оператора

и страничните наблюдатели. Операторът и страничните наблюдатели не бива да докосват и да вдъшават праха. Носете подходяща прахозащитна маска.

- Не обработвайте материали, които представляват опасност за здравето (напр. азбест).
- Диапазонът на околната температура при работа с инструмента е между 0°C и 40°C.
- Диапазонът на околната температура при съхранение на инструмента е между 0°C и 40°C.
- Препоръчителният диапазон на околната температура при зареждане със зарядната система е между 10°C и 38°C.

ДОПЪЛНИТЕЛНИ ПРЕДУПРЕЖДЕНИЯ ЗА БЕЗОПАСНОСТ ЗА БАТЕРИЯТА

⚠ ПРЕДУПРЕЖДЕНИЕ

За да избегнете опасността от пожар, предизвикана от късо съединение, както и нараняванията и повредите на продукта, не потапяйте инструмента, сменяемата акумулаторна батерия или зарядното устройство в течности и се погрижете в уредите и акумулаторните батерии да не попадат течности. Течностите, предизвикващи корозия или провеждащи електричество, като солена вода, определени химикали, избелващи вещества или продукти, съдържащи избелващи вещества, могат да предизвикат късо съединение.

- Диапазонът на околната температура при използване на батерията е между 0°C и 40°C.
- Диапазонът на околната температура при съхранение на батерията е между 0°C и 20°C.

ТРАНСПОРТИРАНЕ НА ЛИТИЕВИ БАТЕРИИ

Транспортирайте батериите в съответствие с местните и национални постановления и разпоредби.

Спазвайте всички специални изисквания за пакетиране и етикетирание, когато транспортирате батерии чрез трето лице. Уверете се, че батериите не влизат в контакт с други батерии или проводими материали по време на транспортиране, като предпазите откритите конектори с изолация, непроводими капачета или лента. Не транспортирайте батерии, които са спукани или текат. Свържете се със следната компания за допълнителен съвет.

НЕПРЕДВИДЕНИ РИСКОВЕ.

Дори когато продуктът се използва по предназначение, е невъзможно напълно да се ограничи влиянието на определени рискови фактори. Могат да възникнат следните опасности и операторът трябва да обърне особено внимание, за да ги избегне:

- Наранявания, причинени от прах
 - По всяко време носете защитни средства за очите.
 - Носете защитни дихателни маски, подходящи за материалите, върху които работите. Осигурете подходяща вентилация на работното място.

– Не употребявайте храни, напитки или цигари в зоната на работа.

- Наранявания, причинени от шум и вибрации
 - Носете антифони
 - Не работете с продукта за продължителни периоди от време. Вижте „Намаляване на опасността“.
- Съществува риск от токов удар, ако бъдат срязани електрически кабели
 - Винаги дръжте izdelieto за определените дръжки. Не докосвайте режещите остриета и металните части на izdelieto.

НАМАЛЯВАНЕ НА РИСКА

Известно е, че вибрациите, произвеждани от ръчни инструменти може да предизвикат у някои индивиди заболяване, наречено Синдром на Рейнолд (Raynaud's Syndrome). Симптомите може да включват изтръпване, схващане и избледняване на пръстите, обикновено се забелязват при излагане на студ. Смята се, че наследствените фактори, излагането на студ и влага, диетите, пушенето и някои работни навици допринасят за развитието на тези симптоми. Могат да се вземат някои мерки, които могат да се предприемат от оператора, за да се намалят ефектите от вибрациите:

- Поддържайте телесната температура в студено време. Когато работите с продукта, носете ръкавици, за да поддържате ръцете и китките си топли. Според изследванията главният фактор, допринасящ за развитието на Raynaud's Syndrome, е студеното време.
- Правете упражнения за активизиране на кръвообращението след всеки работен цикъл.
- Редовно излизайте в почивка. Ограничете излагането на вибрации на ден.

При поява на някой от симптомите на това заболяване, незабавно прекратете употребата на инструмента и посетете лекар.

⚠ ПРЕДУПРЕЖДЕНИЕ

Продължителното използване на инструмента може да доведе до наранявания или влошаване. При използване на инструмента за продължителни периоди от време правете чести почивки.

ОПОЗНАЙТЕ ВАШИЯ ПРОДУКТ

Вж. страница 93.

1. Скоба на острието
2. Лост за заключване/освобождаване на острието
3. Бутон за освобождаване на регулирането на гълата на главата
4. Управление на скоростта
5. Превключвател ПУСКАНЕ/СПИРАНЕ
6. Заключване на превключвателя
7. Острие за обработване чрез връзване
8. 88-мм острие за рязане наравно
9. Шлифовъчна подложка
10. Шкурка
11. Адаптер */**
12. Гнездо за батерията



13. Ръкохватка, изолирана повърхност за захващане

*Съвместимо с по-стари поколения принадлежности за RYOBI, RIDGID или AEG. RYOBI е търговска марка, използвана под лиценз от Ryobi Limited. RIDGID е търговска марка на Emerson Electric Co. AEG е търговска марка, използвана под лиценз от AB Electrolux (publ).

*Съвместимо с аксесоари от FEIN. FEIN е търговска марка на C. & E. Fein GmbH.

**Съвместимо с аксесоари от DREMEL. DREMEL е търговска марка Robert Bosch Tool Corporation.

ПОДДРЪЖКА

⚠ ПРЕДУПРЕЖДЕНИЕ

Продуктът не трябва никога да се включва в захранване, когато сглобявате части, правите настройки, почиствате, извършвате поддръжка или когато не го използвате. Изключването на продукта от захранването ще предотврати случайно стартиране, което би могло да причини сериозни наранявания.

РАБОТА

Изделието се доставя с допълнителен адаптер за използване с други марки принадлежности за рязане, шаброване и шлифоване. Не използвайте адаптера с най-новото поколение принадлежности на RYOBI, доставяни с вашия инструмент. Например, използвайте адаптера с буквите „R&F“, обърнати навън, ако желаете да използвате принадлежности на RYOBI, RIDGID или AEG от по-старо поколение. Адаптерът може да бъде преобърнат за използване с други марки принадлежности.

- Закрепете със скоба детайли, които могат да се движат, за да избегнете движение по време на дейности по шлифоването или рязане. Не дръжте детайла с ръка. Едно невнимателно приплъзване при експлоатация на изделието може да причини тежка телесна повреда.
- При обработване чрез връзване в меки материали, като например дърво или гипсокартон с помощта на приспособлението за рязане, постепенно подавайте вибриращото острие към детайла. Не натискайте силно вибриращото острие в материала, който трябва да бъде отрязан. Оставете изделието да свърши работата и се концентрирайте върху това да поддържате изделието и принадлежността за рязане стабилно в позицията, в която искате да направите срез.
- Внимавайте много при рязане на цветни метали. Вибриращото режещо острие може да се плъзне преди започване на рязането. Ако е необходимо, пробийте няколко отвора по линията на желания срез, преди да започнете да режете.
- Ако принадлежностите за рязане се заклинят в детайла, изключете изделието и го разединете от електрическото захранване. Ако принадлежността за рязане не може да бъде отстранена лесно, я оставете да се охлади добре, преди да я освободите от изделието. Носете ръкавици и използвайте ръчни инструменти като клещи или гаечен ключ, за да извадите принадлежността за рязане от детайла.

ЗАЩИТА СРЕЩУ СВРЪХТОК

При откриване на наличие на свръхток инструментът ще се изключи автоматично.

Ако инструментът спре да работи, освободете спусъка, а след това го натиснете отново. Инструментът би трябвало отново да заработи.

⚠ ПРЕДУПРЕЖДЕНИЕ

При обслужване използвайте само оригинални резервни части, аксесоари и средства за прикрепване на производителя. Използването на други части може да ви постави в опасност или да повреди продукта.

- Избягвайте използването на разтворители при почистването на пластмасовите части. Повечето пластмаси са чувствителни към различни видове разтворители и може да се повредят при използването на такива. Използвайте меки кърпи за отстраняване на замърсявания, въглероден прах и др.

⚠ ПРЕДУПРЕЖДЕНИЕ

В никакъв случай не позволявайте пластмасовите части да влизат в контакт със спирачни течности, нефтени продукти, проникващи масла и т.н. Химикалите могат да повредят, отслабят или унищожат пластмасата, което може да доведе до сериозни физически наранявания.

⚠ ПРЕДУПРЕЖДЕНИЕ

За по-голяма безопасност и надеждност всички ремонти трябва да се извършват от оторизиран сервиз.

Прахът от мазилка и стенна замазка е абразивен и може да предизвика преждевременна повреда на изделието, ако навлезе в зоната на електродвигателя. След използване старателно почиствайте изделието с помощта на четка и вакуум. Внимавайте да не вкарате мръсотия във вентилационните отвори. Избягвайте използването на състен въздух за почистване на изделието, защото прах и пясъчинки могат да предизвикат сериозни очни наранявания.

СМАЗВАНЕ

Всички лагери в този продукт за смазани с достатъчно количество висококачествено масло, което трябва да стигне за целия експлоатационен живот на инструмента при нормални работни условия. Затова не е необходимо допълнително смазване.



СИМВОЛИ



Предупреждение относено безопасността



Постоянен ток



Прочетете инструкциите внимателно, преди да стартирате машината.



Дърво - срезове чрез връзване и наравно



Цветен метал - срезове чрез връзване и наравно



Пластмаси - срезове чрез връзване и наравно



За да намалите опасността от нараняване или повреда, избягвайте контакт с нагорещените повърхности.

Не изхвърляйте отпадъците от батерии, електрическо и електронно оборудване като несортирани битови отпадъци.

Отпадъците от батерии и електрически и електронно оборудване трябва да се събират отделно.

Отпадъците от батерии, акумулатори и светлинни източници трябва да бъдат претрапени от оборудването.

За съвети относно рециклирането и пункта за събиране се обърнете към вашите местни власти или търговски представители.

Съгласно местните разпоредби търговците на дребно трябва да бъдат задължени да приемат обратно отпадъци от батерии и електрическо и електронно оборудване. Вашият принос за повторната употреба и рециклирането на отпадъци от батерии и електрическо и електронно оборудване помага за намаляване на търсенето на суровини.

Отпадъците от батерии, особено съдържащите литий, и електрическо и електронно оборудване съдържат ценни, подходящи за рециклиране материали, които може да имат неблагоприятно въздействие върху околната среда и човешкото здраве, ако не бъдат изхвърлени по екологичен начин.

Ако на отпадъчното оборудване има лични данни, изтрийте ги.



Безпеці, продуктивності і надійності наданий вищий пріоритет в дизайні вашого мультіінструменту.

ПРИЗНАЧЕННЯ

Цей мультіінструмент призначений для використання тільки дорослими, які читали і зрозуміли інструкції та попередження в цьому посібнику і можуть вважатися відповідальними за свої дії.

Мультіінструмент призначений для використання:

- для шліфування та полірування металу, дерева, пластика, або подібних матеріалів, використовуючи шліфувальну насадку з наданими профільованими абразивними листами
- для вискоблювання і врзання в кольорові метали, дерево, пластик, гіпсокартон і т.д., використовуючи надані металеві ріжучі леза
- для вирізання отворів у стінах для розміщення перемикачів або розеток
- для видалення затірки між керамічною плиткою

Мультіінструмент призначений для роботи в закритому приміщенні у сухих, добре освітлених і адекватно вентильованих умовах.

Продукт не призначений для використання на вологих матеріалах та / або поверхнях.

Для довбання та свердлення кам'яної кладки, може бути використаний режим молотка.

▲ ПОПЕРЕДЖЕННЯ

Прочитайте всі правила безпеки, інструкції, ілюстрації і специфікації, що поставляються з електроінструментом. Недотримання всіх зазначених інструкцій може призвести до ураження електричним струмом, пожежі та/або серйозних травм.

Збережіть всі інструкції і вказівки для майбутнього використання.

ПОПЕРЕДЖЕННЯ З БЕЗПЕКИ МУЛЬТІІНСТРУМЕНТА

- **Тримайте інструмент за ізольовані поверхні при виконанні дій, при яких ріжучий інструмент може зачепити приховану проводку.** Ріжучі приладдя при контакті з проводом під напругою можуть зробити незахищені металеві частини електроінструменту під напругою і можуть вдарити оператора електричним струмом.
- Завжди надягайте захисні окуляри при роботі з інструментом. Носіть маску від пилу, коли пил утворюється.

▲ ПОПЕРЕДЖЕННЯ

Пил від певних фарб, покриттів та матеріалів може викликати подразнення або алергічні реакції. Пил від дерев, таких як дуб, бук, МДФ та інших подібних матеріалів може бути канцерогенним. Тільки кваліфіковані фахівці повинні мати можливість використовувати продукт на матеріалах, що містять азбест.

▲ ПОПЕРЕДЖЕННЯ

Продукт не повинен бути підключений до джерела живлення при складанні деталей, регулюванні, чищенні, проведенні технічного обслуговування або коли продукт не використовується. Від'єднання пристрою від мережі живлення унеможливілює випадковий запуск пристрою, який може стати причиною серйозного травмування.

- При роботі на стінах, стелі, або підлозі, дбайте про уникнення електричних кабелів і газових або водопровідних труб.

▲ ПОПЕРЕДЖЕННЯ

Металеве приладдя буде нагріватися під час використання і може привести до опіків шкіри при контакті з оператором. Одягайте рукавички при зміні приладдя.

Будьте обережні, налагоджуючи інструмент між операціями, щоб запобігти отриманню пошкодження або травми.

- Не використовуйте ріжуче приладдя, яке пошкоджене, потріскане або не пристосовується надійно до продукту.
- Пристрій створює вібрації, які переміщують приладдя. Ці вібрації можуть викликати дискомфорт, якщо пристрій працює протягом тривалого часу. Частіше відпочивайте, особливо, якщо ви відчуваєте дискомфорт в руці, зап'ясті або пальцях. Виберіть настройку швидкості, що буде ефективно виконувати роботу. Читайте розділи "Залишкові ризики" та "Зниження ризику" для отримання більш докладної інформації про травми, пов'язані з вібрацією.
- **Затисніть заготовку за допомогою затискного пристрою.** Незатиснені заготовки можуть привести до серйозних травм і пошкоджень. Не тримайте матеріал, який ви шліфувате вручну.
- **Не використовуйте шліфувальний папір більший, ніж потрібно.** Зайвий папер, виходить за рамки шліфувального диску також може викликати серйозні рвані рани.
- Завжди надягайте захисні окуляри і маску від пилу, коли шліфуєте, особливо шліфуєте над головою.
- Придатний дихальний респіратор повинен одягатися під час шліфування свинцевої фарби, деякої деревини і металу, щоб уникнути вдихання шкідливого / токсичного пилу або повітря.
- Пил, що виробляється під час використання пристрою, може завдати шкоди здоров'ю оператора та сторонніх спостерігачів. Оператор та сторонні особи не повинні торкатися і не вдихати пил. Носіть підходящу маску захисту від пилу.
- Не використовуйте матеріали, які представляють небезпеку для здоров'я (наприклад, азбест).
- Діапазон температури навколишнього середовища для пристрою під час використання від 0°C до 40°C.
- Діапазон температури навколишнього середовища для пристрою під час зберігання від 0°C до 40°C.

- Рекомендований діапазон температури зовнішнього середовища для системи заряджання під час заряджання між 10°C та 38°C.

ДОДАТКОВІ ПОПЕРЕДЖЕННЯ З ТЕХНІКИ БЕЗПЕКИ ЩОДО ВИКОРИСТАННЯ АКУМУЛЯТОРІВ

▲ ПОПЕРЕДЖЕННЯ

Для запобігання небезпеці пожежі в результаті короткого замикання, травм і пошкодження виробів не занурюйте інструмент, змінний акумулятор або зарядний пристрій у рідину і не допускайте потрапляння рідини всередину пристроїв або акумуляторів. Корозійні і струмопровідні рідини, такі як солоний розчин, певні хімікати, вибілювальні засоби або продукти, що їх містять, можуть призвести до короткого замикання.

- Діапазон температури навколишнього середовища для акумулятора під час використання між 0°C та 40°C.
- Діапазон температур зовнішнього середовища під час зберігання акумулятора між 0°C та 20°C.

ТРАНСПОРТУВАННЯ ЛІТІЄВИХ БАТАРЕЙ

Транспортуйте батарею відповідно до місцевих та національних положень та правил.

Дотримуйтесь усіх спеціальних вимог щодо пакування та маркування при транспортуванні батареї третьою стороною. Переконайтеся, що батареї не можуть вступати в контакт з іншими батареями або провідними матеріалами при транспортуванні, захищаючи відкриті роз'єми ізоляційними непровідними кришками або стрічкою. Не перевозити батареї, які мають тріщини або протечки. Консультуйтеся з експертською компанією для подальших консультацій.

ЗАЛИШКОВІ РИЗИКИ

Навіть коли продукт використовується як написано, залишається неможливим повністю усунути деякі залишкові чинники ризику. Наступні небезпеки можуть виникнути і оператор повинен звернути особливу увагу, щоб уникнути наступного:

- Травми, викликані пилом.
 - Увесь час носіть захист для очей.
 - Носіть респіраторні захисні маски, що містять фільтри, відповідні до обробляємих матеріалів. Забезпечте достатню вентиляцію на робочому місці.
 - Не їжте, не пийте і не паліть в робочій зоні.
- пошкодження, викликані шумом і вібрацією
 - Носіть захист слуху
 - Не використовуйте продукт протягом тривалого періоду часу. Дивіться «ЗНИЖЕННЯ РИЗИКУ».
- Небезпека ураження електрострумом при розрізанні електричних кабелів.
 - Завжди тримайте виріб за позначені ручки. Не торкайтеся леза або металевих частин продукту.

ЗНИЖЕННЯ РИЗИКУ

Повідомлялося, що вібрації від ручних інструментів у певних осіб можуть сприяти стану, який називається синдромом Рейно. Симптоми можуть включати поколювання, оніміння і збліднення пальців, як правило, очевидні при впливі холоду. Спадкові фактори, вплив холоду і вогкості, дієта, куріння і робоча практика, всі ці чинники роблять свій внесок у розвиток цих симптомів. Ці заходи можуть бути прийнятні оператором, щоб можливо зменшити вплив вібрації:

- Тримайте тіло в теплі в холодну погоду. При експлуатації приладу, одягате рукавички, щоб тримати руки і зап'ястя у теплі. Повідомлялося, що холодна погода є основним чинником, що сприяє синдрому Рейно.
- Після кожного періоду роботи, здійснюйте вправи для підвищення кровообігу.
- Робіть часті перерви в роботі. Зробіть обмеження кількості впливу на день.

Якщо ви відчуваєте будь-які з симптомів цього стану, негайно припиніть використання і зверніться до лікаря з ціми симптомами.

▲ ПОПЕРЕДЖЕННЯ

Тривале використання інструменту може викликати або посилити травми. При використанні інструменту протягом тривалого періоду, робіть регулярні перерви.

ЗНАЙТЕ СВІЙ ПРОДУКТ.

Див. стор. 93.

1. Зажим леза.
2. Важіль блокування / розблокування леза.
3. Кнопка звільнення для регулювання кута голівки.
4. Контроль швидкості
5. Перемикач включення/вимикання
6. Зафіксуйте перемикач
7. Полотно для врізання
8. 88 мм Полотно для прямого зрізу
9. Шліфувальна насадка
10. Наждачний папір
11. Адаптер */**
12. Гніздо для акумулятора
13. Ручка, ізольована поверхня для утримання

*Сумісність з попередніми поколіннями аксесуарів RYOBI, RIDGID або AEG. RYOBI є зареєстрованою торговою маркою, яка використовується за ліцензією Ryobi Limited. RIDGID є торговою маркою Emerson Electric Co. AEG є зареєстрованою торговою маркою, яка використовується за ліцензією AB Electrolux (публ).

*Сумісний із FEIN аксесуарами. FEIN є торговою маркою C. & E. Fein GmbH.

**Сумісний із DREMEL аксесуарами. DREMEL є торговою маркою Robert Bosch Tool Corporation.

ФУНКЦІОНУВАННЯ

Продукт поставляється з додатковим адаптером для використання з іншими брендами приладдя для різання, вискоблювання, і шліфування. Не використовуйте адаптер з останнім поколінням приладдя RYOBI, що

поставляється з інструментом. Наприклад, можна використовувати адаптер з літерами "R&F" назовні, якщо ви хочете використовувати раніше покоління приладдя RYOBI, RIDGID або AEG. Адаптер можна перевернути для використання з іншими брендами приладдя.

- Зафіксуйте заготовки затискачем, щоб запобігти руху під час шліфування або різання. Не тримайте заготовку вручну. Випадкове ковзання під час роботи з виробом може призвести до серйозних травм.
- Під час врзання у м'які матеріали, такі як дерево і пісокартон, використовуючи ріжучий інструмент, поступово підносьте вібруюче лезо до заготівлі. Не штовхайте сильно вібруюче лезо в оброблюваний матеріал. Під час різання слідкуйте, щоб пристрій та ріжуче приладдя було закріплене у потрібному положенні.
- Будьте особливо обережні при різанні кольорових металів. Вібруюче ріжуче лезо може прокрутитися навколо, перш ніж почати різати. При необхідності, перш ніж почати різання, слід просвердити кілька отворів уздовж лінії різання.
- Якщо ріжуче приладдя застрягло у заготівлі, вимкніть виріб і від'єднайте від джерела живлення. Якщо ріжуче приладдя не може бути легко видалено, дозвольте ріжучому приладдю адекватно охолонути перед видаленням ріжучого інструменту з продукту. Одягайте рукавички і використовуйте ручні інструменти, такі як кліщі і гайковий ключ, щоб видалити ріжуче приладдя з заготовки.

ЗАХИСТ ВІД ПЕРЕВАНТАЖЕННЯ ЗА СТРУМОМ

При виявленні перевантаження за струмом, прилад автоматично вимкнеться.

Якщо прилад перестає працювати, відпустіть курок, а потім натисніть знову. Прилад має знову почати працювати.

ОБСЛУГОВУВАННЯ

▲ ПОПЕРЕДЖЕННЯ

Продукт не повинен бути підключений до джерела живлення при складанні деталей, регулюванні, чищенні, проведенні технічного обслуговування або коли продукт не використовується. Від'єднання пристрою від мережі живлення унеможливорює випадковий запуск пристрою, який може стати причиною серйозного травмування.

▲ ПОПЕРЕДЖЕННЯ

При обслуговуванні використовуйте тільки оригінальні запасні частини аксесуари та обладнання від виробника. Використання будь-яких інших деталей може створити небезпеку або спричинити пошкодження продукту.

- Не використовуйте розчинники для очищення пластмасових деталей. Більшість пластмас вразлива до різних видів комерційних розчинників і може бути пошкоджена їх використанням. Використовуйте чисті ганчірки для видалення бруду і вугільного пилу.

▲ ПОПЕРЕДЖЕННЯ

Ніколи не дозволяйте гальмієвій рідині, бензину, продуктам на основі нафти, і проникаючим маслам вступати в контакт з пластиковими деталями. Хімічні речовини можуть пошкодити, послабити або знищити пластик, який може привести до серйозної травми.

▲ ПОПЕРЕДЖЕННЯ

Для більшої безпеки і надійності, всі ремонтні роботи повинні виконуватися в авторизованому сервісному центрі.

Пил від штукатурки і стінної дошки абразивний і може призвести до передчасного виходу виробу з ладу, якщо дозволити його попадання в зону двигуна. Ретельно очистіть продукт після використання за допомогою щітки і пілососу. Дбайте, щоб не вштовхнути бруд у вентиляційні отвори. Будьте обережні, використовуючи стиснене повітря для очистки продукту, тому що пил і пісок можуть привести до серйозних травм очей.

ЗМАЦУВАННЯ

Всі підшипники в продукті змащені достатньою кількістю високоякісного мастила для всього терміну служби продукту при нормальних умовах експлуатації. Таким чином, додаткове змащення не потрібно.

СИМВОЛИ



Попередження безпеки



Постійний струм



Будь ласка, уважно прочитайте інструкцію перед запуском продукту.



Деревина - різи погружні та урівень



Кольорові метали - різи погружні та урівень



Пластик - різи погружні та урівень



Щоб знизити ризик отримання травми або пошкодження, уникайте контакту з будь-якою гарячою поверхнею.

Не викидайте старі акумулятори, старе електричне та електронне устаткування разом із несорттованим побутовим сміттям. Старі акумулятори, старе електричне та електронне устаткування збираються окремо.

З устаткування необхідно зняти старі батареї, акумулятори та джерела світла. За інформацією стосовно утилізації або місць збору звертайтеся до місцевої влади або дилера.

Місьцеве законодавство може зобов'язувати продавців безкоштовно приймати старі акумулятори та електричне й електронне устаткування.

Ваш внесок до справи повторного використання та переробки старих акумуляторів, електричного та електронного устаткування зменшує потребу у сировині.

В акумуляторах, особливо літійових, і старому електричному та електронному устаткуванні містяться цінні, придатні для переробки матеріали, і якщо утилізація такого устаткування проводиться у неекологічний спосіб, це негативно впливає на навколишнє середовище та людське здоров'я.

Видаліть персональні дані з устаткування, яке передається на переробку.



Bu çok amaçlı alet tasarlanırken temel öncelik güvenlik, performans ve güvenilirlik özelliklerine verilmiştir.

KULLANIM AMACI

Bu çok amaçlı aletin sadece, bu kılavuzdaki talimatları ve uyarıları okumuş ve anlamış ve eylemlerinden sorumlu tutulabilecek yetişkinler tarafından kullanılmasa amaçlanmaktadır.

Çok amaçlı aletin kullanım amacı:

- Ürünle birlikte verilen şekilli zımpara kağıtlarıyla birlikte zımpara diskini kullanarak metal, ahşap, plastik veya benzer malzemeleri zımparalama ve perdahlama
- Ürünle birlikte verilen metal kesim bıçaklarını kullanarak demir olmayan metal, ahşap, plastik, alçı panel vb. kazıma ve daldırma kesim
- Anahtarları ve elektrik prizlerini yerleştirmek için duvarlarda delik açma
- Seramik fayanslar arasındaki derzleri çıkarma

Çok amaçlı alet, kuru, iyi aydınlatmalı ve uygun şekilde havalandırılan iç mekanda kullanıma yöneliktir.

Ürün, ıslak materyaller ve yüzeyler üzerinde kullanılmak üzere üretilmemiştir.

Bu ürünü belirtilen kullanım amacı dışında herhangi bir amaçla kullanmayın.

⚠ UYARI

Bu aletle birlikte verilen tüm uyarı, talimat ve özellikleri dikkatlice okuyunuz ve resimli açıklamalara bakınız. Aşağıda belirtilen talimatlar uyulmaması, yangın, elektrik çarpması ve/veya ciddi bedensel yaralanmalar gibi kazalar sebep olabilir.

Tüm uyarıları ve talimatları daha sonra başvurmak üzere saklayın.

ÇOK AMAÇLI ALET GÜVENLİK UYARILARI

- **Kesici aksesuarlar gizli kablo tesisatını kesebileceği için, matkapla çalışırken izolasyonlu tutma yüzeylerinden tutun.** Kesici aksesuarın elektrik geçen kabloyla temas etmesi, elektrikli aletin metal parçalarının elektrikle yüklenmesine ve kullanıcının elektriğe çarpmasına neden olabilir.
- Aleti kullanırken her zaman güvenlik gözlükleri takın. Toz çıktığında bir toz maskesi takın.

⚠ UYARI

Belirli boyalardan, kaplamalardan veya materyallerden kaynaklanan toz solunum sisteminde tahrişe veya alerjik reaksiyona neden olabilir. Meşe, kayın, MDF ve diğer ağaçlar gibi ahşaptan kaynaklanan toz kanserojendir. Ürün, asbest içeren materyaller üzerinde sadece kalifiye uzmanlar tarafından kullanılmalıdır.

⚠ UYARI

Parçaları takarken, ayarlama yaparken, temizlerken, bakım yaparken veya kullanımda değilken ürünün elektrik bağlantısı kesilmelidir. Aleti güç kaynağından çıkartmak, ciddi yaralanmalara yol açabilecek kazara çalıştırmayı önler.

- Duvar, tavan veya zemin üzerinde çalışırken elektrik kablolarından ve gaz veya su borularından uzak durmaya dikkat edin.

⚠ UYARI

Metal aksesuarlar kullanım sırasında ısınır ve operatörün temas etmesi durumunda cilt yanıklarına neden olabilir. Aksesuarları değiştirirken eldiven giyin.

Hasarı veya yaralanmayı önlemek için çalışmalar arasında yere koyarken dikkat edin.

- Hasarlı, çatlak veya ürüne sıkıca oturmeyen kesme aksesuarlarını kullanmayın.
- Ürün, aksesuarın hareket etmesine neden olan titreşimler yaratır. Ürün uzun süre çalıştırılırsa, titreşimler rahatsızlığa neden olabilir. Özellikle kolda, bileklerde veya parmaklarda rahatsızlık hissederseniz, sık sık dinlenin. Çalışmadan tam verim alacağınız bir hız ayarı seçin. Titreşim kaynaklı yaralanmalar hakkında daha fazla bilgi için Artık Riskler ve Risk Azaltma kısımlarını okuyun.
- **İş parçasını bir mengene ile sıkıştırın.** Sabitlenmemiş parçalar ciddi yaralanmaya ve hasara sebep olabilir. Zımparaladığınız materyali elinizle tutmayın.
- **Zımpara kağıdı çok büyük olmamalıdır.** Zımpara kağıt pateni aşarsa, ciddi yaralanma riskleriyle karşılaşabilirsiniz.
- Zımpara işlemini gerçekleştirdiğinizde, özellikle zımparayı başınızın üzerinde bir seviyede tuttuğunuzda bir toz koruma maskesini ve bir güvenlik gözlüğü takınız.
- Toz ve zehirli buharlar solumayı önlemek için kurşun bazlı boya kaplı yüzeyler veya bazı ahşap ve metal yüzeyleri zımparaladığınızda uygun toz önleyici bir maske takınız.
- Ürünü kullanırken ortaya çıkan toz operatörün ve çevredekilerin sağlığı için zararlı olabilir. Operatör ya da çevredekiler toza dokunmamalı, solumamalıdır. Uygun bir toz koruma maskesi kullanın.
- Sağlığa zararlı olabilecek herhangi bir materyal (örn. asbest) işlemeyin.
- Alet için ortam sıcaklığı aralığı çalışma sırasında 0°C ile 40°C arasındadır.
- Alet için depolama ortam sıcaklığı aralığı 0°C ile 40°C arasındadır.
- Şarj sırasında şarj sistemi için önerilen ortam sıcaklığı aralığı 10°C ile 38°C arasındadır.

PİL İÇİN EK GÜVENLİK UYARILARI

⚠ UYARI

Bir kısa devreden kaynaklanan yangın, yaralanma veya ürün hasarları tehlikesini önlemek için aleti, güç paketini veya şarj cihazını asla sıvıların içine daldırmayınız ve cihazların ve pillerin içine sıvı girmesini önleyiniz. Tuzlu su, belirli kimyasallar, aşartıcı madde veya aşartıcı madde içeren ürünler gibi korozif veya iletken sıvılar kısa devreye neden olabilir.

- Batarya için ortam sıcaklığı aralığı çalışma sırasında 0°C ile 40°C arasındadır.
- Batarya için depolama ortam sıcaklığı aralığı 0°C ile 20°C arasındadır.

LİTYUM PİLLERİN NAKLİYESİ

Pili yerel ve ulusal hükümlere ve yönetmeliklere göre nakledin.

Piller üçüncü bir şahıs tarafından nakledilirken ambalaj ve etiket üzerindeki tüm özel gereksinimlere uyun. Açıkta ki konektörleri iletken olmayan yalıtım başlıkları veya bandı ile koruyarak pillerin nakliye sırasında diğer pillerle veya iletken materyallerle temas etmediğinden emin olun. Çatlak veya sızıntı yapan pilleri nakletmeyin. Daha fazla bilgi için nakliye şirketine danışın.

ARDIL RİSKLER

Ürün belirtildiği şekilde kullanıldığı zaman bile belirli artık risk faktörlerinin tamamen ortadan kaldırılması mümkün değildir. Kullanım sırasında aşağıdaki tehlikeler ortaya çıkabilir ve operatör bunlardan kaçınmak için özellikle dikkat etmelidir:

- Toz kaynaklı yaralanmalar
 - Her zaman göz koruyucu takın.
 - İşlenecek materyalle uyumlu filtreler içeren solunum koruma maskeleri takın Çalışma yerinin uygun şekilde havalandırıldığından emin olun.
 - Çalışma alanı içinde bir şey yemeyin, içmeyin veya sigara içmeyin.
- Titreşim ve sestten meydana gelen yaralanma
 - Koruyucu kulaklık kullanın
 - Ürünü uzun süre kullanmayın. Bkz. "Risk Azaltma".
- Elektrik kabloları kesildiğinde elektrik çarpması riski oluşur
 - Ürünü her zaman gösterilen saplarından tutun. Kesme bıçaklarına veya ürünün metal kısımlarına dokunmayın.

RİSK AZALTMA

El aletlerinden kaynaklanan titreşimlerin belirli kişilerde Raynaud Sendromu olarak adlandırılan bir durumu etkileyebileceği rapor edilmiştir. Karıncalanma, hissizlik ve parmakların sararması gibi genelde soğuğa maruz kaldıktan sonra görülen semptomlar oluşabilir. Kalıtsal faktörler, soğuğa ve ıslaklığa maruz kalmak, diyet, sigara içmek ve fiziksel yorgunluk gibi etkenlerin hepsinin bu semptomların ortaya çıkmasına zemin hazırlayabileceği bildirilmiştir. Titreşimin etkilerini azaltmak için operatör tarafından alınabilecek önlemler bulunmaktadır:

- Soğuk havalarda vücudunuzu sıcak tutun. Ürünü

çalıştırırken elleri ve bilekleri sıcak tutmak için eldiven takın. Soğuk havanın Raynaud Sendromunun ana tetikleyicilerinden olduğu bildirilmiştir.

- Her operasyon sürecinden sonra kan dolaşımını arttırmak için egzersiz yapın.
- Sık sık işe ara verin. Günlük maruziyet miktarını sınırladığınız.

Bu rahatsızlığın semptomlarından herhangi birini görürseniz, aleti kullanmayı derhal bırakın ve bir doktora görünün.

⚠ UYARI

Bir aletin uzun süre kullanılması nedeniyle yaralanmalar olabilir veya mevcut yaraların durumu kötüleşebilir. Herhangi bir aleti uzun bir süre boyunca kullanırken düzenli olarak ara vermeyi ihmal etmeyin.

ÜRÜNÜZÜ TANIYIN

Sayfa 93'ya bakın.

1. Bıçak kelepçesi
2. Bıçak kilitleme / serbest bırakma kolu
3. Baş açma ayarı serbest bırakma düğmesi
4. Hız kontrolü
5. Açma/kapama anahtarı
6. Kilitleme düğmesi
7. Daldırılmalı kesim bıçağı
8. 88 mm Kenar Kesme Bıçağı
9. Paten
10. Zımpara kağıdı
11. Adaptör */**
12. PİL bağlantı noktası
13. Tutamak, yalıtılmış kavrama yüzeyi

*Daha önceki RYOBI, RIDGID veya AEG aksesuar modelleriyle uyumlu. RYOBI, Ryobi Limited lisansı altında kullanılan bir ticari markadır. RIDGID, Emerson Electric Co şirketinin bir ticari markasıdır. AEG, AB Electrolux (publ) lisansı altında kullanılan bir ticari markadır.

*FEIN aksesuarlarıyla uyumlu. FEIN, C. & E. Fein GmbH şirketinin bir ticari markasıdır.

**DREMEL aksesuarlarıyla uyumlu. DREMEL, Robert Bosch Tool Corporation şirketinin bir ticari markasıdır.

ÇALIŞTIRMA

Ürün, diğer kesme, kazıma ve zımparalama aksesuarı markalarıyla birlikte kullanılmak üzere ilave bir adaptörle birlikte sağlanır. Adaptörü aletinize birlikte sağlanan en yeni nesil RYOBI aksesuarlarıyla birlikte kullanmayın. Örneğin daha eski nesil RYOBI, RIDGID veya AEG aksesuarlarını kullanmak istiyorsanız adaptörü "R&F" harfleri dışarıya doğru bakacak şekilde kullanın. Adaptör, diğer aksesuar markalarıyla kullanılmak üzere değiştirilebilir.

- Zımparalama veya kesme çalışmaları sırasında hareket etmelerini önlemek için iş parçalarını bir kelepçe yardımıyla sabitleyin. Mazemeyi asla elinizle tutmayın. Ürünü kullanırken kazara kayması ciddi fiziksel yaralanmalara neden olabilir.
- Kesme aksesuarlarını kullanarak ahşap ve alçı panel gibi yumuşak malzemelerde daldırma kesim yaparken titreşimli bıçağı iş parçasının üzerine kademeli olarak yerleştirin. Titreşimli bıçağı kesilecek malzemeye sert bir şekilde bastırmayın. İş ürüne bırakın ve ürünle kesme

aksesuarını, kesim yapmak istediğiniz pozisyonda sabit tutmaya odaklanın.

- Demir olmayan metalleri keserken çok dikkatli olun. Titreşimli kesme bıçağı, kesime başlamadan önce kayabilir. Gerekirse, kesime başlamadan önce kesilecek hat boyunca bazı delikler açın.
- Kesme aksesuarları iş parçasına sıkıştırsa ürünü kapatın ve güç kaynağından ayırın. Kesme aksesuarı kolayca çıkmıyorsa kesme aksesuarını üründen serbest bırakmadan önce kesme aksesuarlarını uygun şekilde soğumaya bırakın. Kesme aksesuarını iş parçasından çıkarmak için eldiven giyin ve kargaburnu ve İngiliz anahtarını gibi el aletleri kullanın.

ASHIRI AKIM KORUMASI

Aşırı akım tespit edildiğinde, ürün otomatik olarak kapanacaktır.

Ürün çalışmayı durdurursa, tetiği serbest bırakın ve sonra tekrar sıkın. Ürünün tekrar çalışmaya başlamasına gerekir.

BAKİM

⚠ UYARI

Parçaları monte ederken, ayar, temizlik, bakım çalışması yaparken veya ürün kullanılmadığı zaman ürünü asla güç kaynağına bağlamayın. Aleti güç kaynağından çıkartmak, ciddi yaralanmalara yol açabilecek kazara çalıştırmayı önler.

⚠ UYARI

Bakım yaparken yalnızca orijinal yedek parçaları, aksesuarları ve parçaları kullanın. Diğer parçaları kullanmak tehlike yaratabilir ya da hasara neden olabilir.

- Plastik parçaları temizlerken solventleri kullanmaktan kaçının. Plastiklerin çoğu ticari kullanımlı uçucu maddeler karşı hassastır. Lekeleri, tozu, vb. temizlemek için temiz bir bez kullanınız.

⚠ UYARI

Asla fren hidroliğinin, benzinin, petrol esaslı ürünlerin, yüzeye işleyen yağların vb. plastik parçalarla temas etmesine izin vermeyin. Bu kimyasal ürünler plastik parçaları zara verebilir; kırabilir ya da bozabilir.

⚠ UYARI

Güvenliği ve güvenilirliği arttırmak için tüm onarım çalışmaları yetkili bir servis merkezi tarafından gerçekleştirilmelidir.

Alçı ve duvar kaplamasından çıkan toz aşındırıcıdır ve motor bölgesine girmesine izin verilirse ürünün zamanından önce arızalanmasına neden olabilir. Ürünü kullandıktan sonra bir fırça ve elektrikli süpürge kullanarak iyice temizleyin. Kiri havalandırma deliklerinin içine doğru itmeye dikkat edin. Toz ve iri taneli kum, ciddi göz yaralanmalarına neden olabileceğinden ürünü temizlemek için basınçlı hava kullanmayın.

YAĞLAMA

Üründeki tüm yataklar normal çalışma koşullarında ürünün hizmet ömrü boyunca yeterli miktarda yüksek kalite yağ ile yağlanır. Buna göre, fazladan yağlama yapılmasına gerek yoktur.

SEMBOLLER



Güvenlik ikazı



Doğru akım



Makineyi çalıştırmadan talimatları dikkatlice okuyun.



Ahşap - Daldırmalı ve kenar kesimler



Demirsiz metal - Daldırmalı ve kenar kesimler



Plastik - Daldırmalı ve kenar kesimler



Yaralanma ya da hasar riskini azaltmak için her türlü sıcak yüzeye temastan kaçının.

Atık pilleri, atık elektrikli ve elektronik ekipmanı, sınıflandırılmamış belediye atığı olarak bertaraf etmeyin.

Atık piller ile atık elektrikli ve elektronik ekipmanlar ayrıca toplanmalıdır.

Atık pil, akü ve ışık kaynakları ekipmandan çıkarılmalıdır.

Yerel otorite veya satıcıdan geri dönüşüm tavsiyesi alın ve toplama noktasını öğrenin.

Yerel düzenlemelere göre perakendecilerin atık piller ile atık elektrikli ve elektronik ekipmanı ücretsiz olarak geri alma yükümlülüğü olabilir.

Atık bataryaların yanı sıra atık elektrikli ve elektronik ekipmanların yeniden kullanımı ve geri dönüşümüne katkıınız, hammadde talebini azaltmaya yardımcı olur.

Özellikle lityum içeren atık piller ile atık elektrikli ve elektronik ekipmanlar, çevreye uyumlu bir şekilde bertaraf edilmediği takdirde çevre ve insan sağlığını olumsuz yönde etkileyebilecek değerli ve geri dönüştürülebilir malzemeler içerir.

Varsa, atık ekipmandaki kişisel verileri silin.

Στον σχεδιασμό του πολυεργαλείου έχει δοθεί μέγιστη προτεραιότητα στην ασφάλεια, την απόδοση και την αξιοπιστία.

ΠΡΟΟΡΙΖΟΜΕΝΗ ΧΡΗΣΗ

Το πολυεργαλείο διατίθεται για χρήση μόνο από ενήλικες που έχουν διαβάσει και κατανοήσει τις οδηγίες και τις προειδοποιήσεις του παρόντος εγχειριδίου και μπορούν να θεωρηθούν υπεύθυνοι για τις πράξεις τους.

Το πολυεργαλείο προορίζεται να χρησιμοποιηθεί:

- για λείανση και φινιρίσμα μέταλλου, ξύλου, πλαστικού, ή παρόμοιων υλικών χρησιμοποιώντας το περιστρεφόμενο πέλμα με το διαμορφωμένα λειαντικά φύλλα
- για το ξύσιμο και κοπή με βύθισμα στο υλικό σε μη-σιδηρούχα μέταλλα, ξύλο, πλαστικό, γυψοσανίδες, κ.λ.π., χρησιμοποιώντας τις παρεχόμενες μεταλλικές λεπίδες κοπής
- για την κοπή οπών σε τοίχους για τοποθέτηση διακοπών ή πριζών
- για την απομάκρυνση υλικού από την αρμολόγηση μεταξύ κεραμικών πλακιδίων

Το πολυεργαλείο προορίζεται για να λειτουργεί σε εσωτερικούς χώρους σε στεγνά σημεία, καλά φωτισμένους και επαρκώς αεριζόμενους χώρους.

Το προϊόν δεν διατίθεται για χρήση σε υγρά υλικά και επιφάνειες.

Μην χρησιμοποιείτε το προϊόν με τρόπο διαφορετικό από αυτόν που αναφέρεται για τη χρήση του.

⚠️ ΠΡΟΕΙΔΟΠΟΙΗΣΗ

Διαβάστε προσεκτικά όλες τις προειδοποιήσεις, οδηγίες και προδιαγραφές που παρέχονται με το εργαλείο και ανατρέξτε στις εικόνες. Η μη τήρηση των ακόλουθων οδηγιών μπορεί να επιφέρει ατυχήματα όπως πυρκαγιάς, ηλεκτροπληξίες ή και σοβαρό σωματικό τραυματισμό.

Φυλάσσετε όλες τις προειδοποιήσεις και οδηγίες για μελλοντική χρήση.

ΠΡΟΕΙΔΟΠΟΙΗΣΕΙΣ ΑΣΦΑΛΕΙΑΣ ΠΟΛΥΕΡΓΑΛΕΙΟΥ

- **Κρατάτε το εργαλείο από τις μονωμένες επιφάνειες λαβής όταν εκτελείτε εργασίες όπου το εξάρτημα κοπής μπορεί να έρθει σε επαφή με κρυφές καλωδιώσεις.** Η επαφή του εξαρτήματος κοπής με «ζωντανό» καλώδιο (ηλεκτροφόρο) μπορεί να μεταφέρει τον ηλεκτρισμό στα εκτεθειμένα μεταλλικά εξαρτήματα του εργαλείου, προκαλώντας ηλεκτροπληξία στον χειριστή.
- Να φοράτε πάντα γυαλιά ασφαλείας κατά τη λειτουργία του εργαλείου. Να φοράτε μάσκα για τη σκόνη, όταν παράγεται σκόνη.
- Μην χρησιμοποιείτε εξαρτήματα κοπής που έχουν υποστεί ζημιά, ραγίσει ή δεν ταιριάζουν καλά με το προϊόν.
- Η συσκευή δημιουργεί κραδασμούς που μπορεί να κινήσουν το εξάρτημα. Οι κραδασμοί μπορεί να προκαλέσουν δυσφορία εάν η συσκευή λειτουργεί για μεγάλα χρονικά διαστήματα. Κάνετε συχνά διαλείμματα, ειδικά αν αισθανθείτε δυσφορία στο μπράτσο, τον καρπό ή τα δάχτυλα. Επιλέξτε μια ρύθμιση για την ταχύτητα που θα σας επιτρέψει να ολοκληρώσετε αποτελεσματικά την εργασία. Διαβάστε για τους υπολειπόμενους κινδύνους και τα τμήματα μείωσης των κινδύνων για περισσότερες πληροφορίες σχετικά με τους τραυματισμούς που σχετίζονται με τους κραδασμούς.
- Μην επεξεργάζεστε υλικά που είναι επικίνδυνα για την υγεία (π.χ. αμιάντος).
- **Αγκιστρώστε το τεμάχιο με μια συσκευή συγκράτησης.** Ελεύθερα τεμάχια εργασίας μπορούν να προκαλέσουν σοβαρό τραυματισμό και ζημιές. Μην κρατάτε με το χέρι το υλικό που λειάνετε.
- **Το φύλλο γυαλόχαρτο δεν πρέπει να περισσεύει.** Αν αφήσετε το γυαλόχαρτο να περισσεύει από το πέλμα, εκτίθεστε σε κίνδυνο σοβαρού τραυματισμού.
- Κατά τη λείανση φοράτε πάντα προστατευτικά γυαλιά και μάσκα κατά της σκόνης, ιδίως όταν κρατάτε το τριβείο πάνω από το κεφάλι σας.
- Πρέπει να φοράτε κατάλληλη μάσκα κατά της σκόνης όταν λειάνετε επιφάνειες καλυμμένες με χρώμα με βάση το μολυβδό καθώς και ορισμένα ξύλα και μέταλλα ώστε να μην εισπνέετε τοξικές σκόνες ή αέρια.
- Η σκόνη που παράγεται κατά τη χρήση του

⚠️ ΠΡΟΕΙΔΟΠΟΙΗΣΗ

Η σκόνη από ορισμένα χρώματα, επιχρίσματα και υλικά μπορεί να προκαλέσει ερεθισμό ή αλλεργικές αντιδράσεις στο αναπνευστικό σύστημα. Η σκόνη από ξύλο, όπως η δρυς, οξιά, MDF και άλλα είναι καρκινογόνος. Η χρήση του προϊόντος σε υλικά που περιέχουν αμιάντο, επιτρέπεται μόνο από ειδικούς.

⚠️ ΠΡΟΕΙΔΟΠΟΙΗΣΗ

Το προϊόν δεν πρέπει ποτέ να είναι συνδεδεμένο στο ρεύμα όταν συναρμολογείτε εξαρτήματα, κάνετε προσαρμογές, το καθαρίζετε, εκτελείτε εργασίες συντήρησης ή δεν το χρησιμοποιείτε. Αποσυνδέοντας τη συσκευή από την παροχή ρεύματος προλαμβάνει την ακούσια ενεργοποίηση της η οποία μπορεί να επιφέρει σοβαρό τραυματισμό.

- Όταν εργάζεστε σε τοίχους, οροφές ή δάπεδα, φροντίστε να αποφεύγετε ηλεκτρικά καλώδια και σωλήνες αερίου ή νερού.

⚠️ ΠΡΟΕΙΔΟΠΟΙΗΣΗ

Τα μεταλλικά βοηθητικά εξαρτήματα θα ζεσταίνονται κατά τη λειτουργία και μπορεί να προκαλέσουν εγκαύματα στο δέρμα αν έρθουν σε επαφή με τον χειριστή. Φοράτε γάντια κατά την αλλαγή εξαρτημάτων.

Προσέξτε κατά τη ρύθμιση του εργαλείου μεταξύ των εργασιών για την πρόληψη ζημιών ή τραυματισμών.

μηχανήματος μπορεί να είναι επιβλαβής για την υγεία του χειριστή και των παρευρισκόμενων. Ο χειριστής και οι παρευρισκόμενοι δεν πρέπει να αγγίζουν και να εισπνέουν τη σκόνη Φοράτε την κατάλληλη μάσκα προστασίας από τη σκόνη.

- Μην επεξεργάζεστε υλικά που είναι επικίνδυνα για την υγεία (π.χ. αμίαντος).
- Το εύρος θερμοκρασίας περιβάλλοντος για το εργαλείο στη διάρκεια της λειτουργίας είναι μεταξύ 0 °C και 40 °C.
- Το εύρος θερμοκρασίας περιβάλλοντος για το την αποθήκευση του εργαλείου είναι μεταξύ 0 °C και 40 °C.
- Το συνιστώμενο εύρος θερμοκρασίας περιβάλλοντος για το σύστημα φόρτισης στη διάρκεια της φόρτισης είναι μεταξύ 10 °C και 38 °C.

ΕΠΙΠΡΟΣΘΕΤΕΣ ΠΡΟΕΙΔΟΠΟΙΗΣΕΙΣ ΑΣΦΑΛΕΙΑΣ ΜΠΑΤΑΡΙΑΣ

▲ ΠΡΟΕΙΔΟΠΟΙΗΣΗ

Για να αποτρέπεται τον κίνδυνο πυρκαγιάς λόγω βραχυκυκλώματος, τραυματισμούς ή ζημιές του προϊόντος, να μη βυθίζετε το εργαλείο, τον ανταλλακτικό συσσωρευτή ή τη συσκευή φόρτισης σε υγρά και να φροντίζετε, ώστε να μη διεισδύουν υγρά στις συσκευές και τους συσσωρευτές. Διαβρωτικές ή αγώγιμες υγρές ουσίες, όπως αλατόνερο, ορισμένες χημικές ουσίες και λευκαντικά ή προϊόντα που περιέχουν λευκαντικά, μπορεί να προκαλέσουν βραχυκύκλωμα.

- Το εύρος θερμοκρασίας περιβάλλοντος για την μπαταρία στη διάρκεια της χρήσης είναι μεταξύ 0 °C και 40 °C.
- Το εύρος θερμοκρασίας περιβάλλοντος για την αποθήκευση της μπαταρίας είναι μεταξύ 0 °C και 20 °C.

ΜΕΤΑΦΟΡΑ ΜΠΑΤΑΡΙΩΝ ΛΙΘΙΟΥ

Μεταφέρετε τη μπαταρία σε συμφωνία με τις τοπικές εθνικές διατάξεις και τους κανονισμούς.

Τηρείτε όλες τις ειδικές απαιτήσεις στη συσκευασία και στην ετικέτα κατά τη μεταφορά των μπαταριών από τρίτους. Εξασφαλίστε ότι δεν θα έρχονται σε επαφή οι μπαταρίες με άλλες μπαταρίες ή με αγώγιμα υλικά κατά τη διάρκεια της μεταφοράς, προστατεύοντας τους εκτεθειμένους συνδέσμους με μόνωση, μη αγώγιμα πώματα ή ταινία. Μη μεταφέρετε μπαταρίες που έχουν χτυπήματα ή διαρροή. Ενημερωθείτε από τη πρακτορείο μεταφορών για περαιτέρω ειδοποιήσεις.

ΑΛΛΟΙ ΚΙΝΔΥΝΟΙ

Ακόμη και όταν το προϊόν χρησιμοποιείται σύμφωνα με τις οδηγίες, δεν είναι δυνατή η απόλυτη απαλειφή συγκεκριμένων παραγόντων κινδύνου. Κατά τη χρήση μπορεί να προκύψουν οι ακόλουθοι κίνδυνοι και ο χειριστής πρέπει να δίδει ιδιαίτερη προσοχή προς αποφυγή των εξής:

- Τραυματισμός που προκαλείται από τη σκόνη
 - Να φοράτε συνέχεια, προστατευτικά γυαλιά.
 - Φορέστε μάσκα προστασίας της αναπνοής που περιέχουν κατάλληλα φίλτρα για τα υλικά που επεξεργάζεστε Βεβαιωθείτε ότι υπάρχει επαρκής

εξαερισμός του χώρου εργασίας.

- Μην τρώτε, πίνετε ή καπνίζετε στον χώρο εργασίας.
- Τραυματισμοί εξαιτίας θορύβου και κραδασμών
 - Φοράτε προστατευτικά αυτιών
 - Μην χρησιμοποιείτε το προϊόν για μεγάλα χρονικά διαστήματα. Βλ. "Μειωση Κινδύνου".
- Κίνδυνος ηλεκτροπληξίας εάν κοπούν ηλεκτρικά καλώδια
 - Πάντα να κρατάτε το προϊόν από τις ειδικές λαβές. Μην αγγίζετε τις λεπίδες κοπής ή μεταλλικά μέρη του προϊόντος.

ΜΕΙΩΣΗ ΚΙΝΔΥΝΟΥ

Έχει αναφερθεί ότι οι κραδασμοί των χειροκίνητων εργαλείων μπορεί να συμβάλλει σε μια πάθηση γνωστή ως Σύνδρομο Raynaud σε ορισμένα άτομα. Τα συμπτώματα περιλαμβάνουν κνησμό, μούδιασμα και λευκότητα των δακτύλων, που εμφανίζονται συνήθως μετά την έκθεση σε κρύο. Κληρονομικοί παράγοντες, έκθεση σε κρύο και υγρασία, η διατροφή, το κάπνισμα και οι εργασιακές πρακτικές θεωρείται ότι συμβάλλουν στην ανάπτυξη αυτών των συμπτωμάτων. Υπάρχουν μέτρα που μπορούν να ληφθούν από τον χειριστή για να μειωθούν πιθανώς οι επιδράσεις των κραδασμών:

- Διατηρείτε το σώμα σας ζεστό όταν ο καιρός είναι ψυχρός. Κατά τη λειτουργία του προϊόντος φοράτε γάντια ώστε να διατηρείτε τα χέρια και τους καρπούς ζεστά. Ο ψυχρός καιρός είναι κύριος παράγοντας που συμβάλλει στην εκδήλωση του συνδρόμου Raynaud.
- Μετά από κάθε περίοδο λειτουργίας, κάνετε ασκήσεις για να αυξάνετε την κυκλοφορία αίματος.
- Κάνετε τακτικά διαλείμματα κατά την εργασία. Περιορίζετε το σύνολο έκθεσης ανά ημέρα.

Αν παρουσιάσετε οποιοδήποτε σύμπτωμα αυτής της πάθησης, διακόψτε αμέσως τη χρήση και συμβουλευτείτε τον γιατρό σας για τα συμπτώματα.

▲ ΠΡΟΕΙΔΟΠΟΙΗΣΗ

Υπάρχει κίνδυνος πρόκλησης ή επιδείνωσης τραυματισμού, από την παρατεταμένη χρήση εργαλείου. Όταν χρησιμοποιείτε το εργαλείο για μεγάλες περιόδους, κάνετε τακτικά διαλείμματα.

ΓΝΩΡΙΣΤΕ ΤΟ ΠΡΟΪΟΝ ΣΑΣ

Βλέπε σελίδα 93.

1. Σφιγκτήρας λεπίδας
2. Ασφάλεια λεπίδας/μοχλός απελευθέρωσης
3. Κουμπί απελευθέρωσης ρύθμισης γωνίας κεφαλής
4. Έλεγχος της ταχύτητας
5. Διακόπτης ενεργοποίησης/απενεργοποίησης (on/off)
6. Διακόπτης κλειδώματος.
7. Λεπίδα εγκάρσιας τομής
8. Λεπίδα ευθείας κοπής 88 mm
9. Πέλημα
10. Γυαλόχαρτο
11. Αντάπτορας */**
12. Θύρα μπαταρίας
13. Λαβή, μονωμένη επιφάνεια λαβής

*Συμβατό με παλαιότερα μοντέλα εξαρτημάτων RYOBI, RIDGID, ή AEG . Το RYOBI αποτελεί εμπορικό σήμα που

χρησιμοποιείται με την άδεια της Ryobi Limited. Το RIDGID αποτελεί εμπορικό σήμα της Emerson Electric Co. Το AEG αποτελεί εμπορική ονομασία που χρησιμοποιείται με την άδεια της AB Electrolux (δημοσ.).

*Συμβατό με εξαρτήματα FEIN . Το FEIN αποτελεί εμπορικό σήμα της C. & E. Fein GmbH.

**Συμβατό με εξαρτήματα DREMEL . Το DREMEL αποτελεί εμπορικό σήμα της Robert Bosch Tool Corporation.

ΛΕΙΤΟΥΡΓΙΑ

Το προϊόν διατίθεται με επιπλέον προσαρμογέα για χρήση με άλλες μάρκες εξαρτημάτων κοπής, απόξεσης, λείανσης και λείανσης. Μην χρησιμοποιείτε τον προσαρμογέα με την τελευταία γενιά των βοηθητικών εξαρτημάτων RYOBI που παρέχονται με το εργαλείο. Για παράδειγμα, χρησιμοποιήστε τον προσαρμογέα με τα γράμματα "R&F" να βλέπουν προς τα έξω, αν θέλετε να χρησιμοποιήσετε βοηθητικά εξαρτήματα παλιότερης γενιάς της RYOBI, RIDGID ή της AEG. Ο προσαρμογέας μπορεί να χρησιμοποιηθεί από την άλλη πλευρά με άλλες μάρκες βοηθητικών εξαρτημάτων.

- Ασφαλίστε τα τεμάχια που κατεργάζεστε με σφιγκτήρα για να αποτρέψετε οποιαδήποτε μετακίνηση κατά τη λείανση ή τις εργασίες κοπής. Μην κρατάτε ποτέ με το χέρι το τεμάχιο εργασίας. Μια ακούσια ολίσθηση κατά τη λειτουργία του προϊόντος μπορεί να προκαλέσει σοβαρό τραυματισμό.
- Όταν κάνετε μια κοπή σε βάθος σε μαλακά υλικά όπως ξύλο και γυψοσανίδες χρησιμοποιώντας το κοπτικό εξάρτημα, πλησιάστε σταδιακά την δονούμενη λεπίδα στο τεμάχιο εργασίας. Μην πιέζετε το δονούμενη λεπίδα δυνατά μέσα στο υλικό που πρόκειται να κοπεί. Κρατήστε το μηχάνημα και το εξάρτημα κοπής σταθερό ενόσω το μηχάνημα εκτελεί την εργασία του.
- Προσέξτε επιπλέον κατά την κοπή μη σιδηρούχων μετάλλων. Η δονούμενη λεπίδα κοπής μπορεί να πηδήξει γρήγορα γύρω πριν αρχίσει να κόβει. Εάν είναι απαραίτητο, κάντε μερικές τρύπες στη γραμμή κοπής πριν ξεκινήσετε να κόβετε.
- Αν τα εξαρτήματα κοπής μπλοκάρουν στο κομμάτι, σβήστε το προϊόν και αποσυνδέστε την από την παροχή ηλεκτρικού ρεύματος. Αν το εξάρτημα κοπής δεν μπορεί να αφαιρεθεί εύκολα, αφήστε τα εξαρτήματα κοπής να κρυώσει επαρκώς πριν από την αποδέσμευση του εξαρτήματος κοπής από το προϊόν. Να φοράτε γάντια και να χρησιμοποιείτε εργαλεία χειρός, όπως πένσες και κλειδιά, για να αφαιρέσετε το εξάρτημα κοπής από το τεμάχιο εργασίας.

ΠΡΟΣΤΑΣΙΑ ΑΠΟ ΥΠΕΡΤΑΣΗ

Όταν εντοπιστεί υπέρταση, η συσκευή θα απενεργοποιηθεί αυτόματα.

Εάν η συσκευή πάψει να λειτουργεί, αφήστε τη σκανδάλη και πατήστε τη ξανά. Υπό κανονικές συνθήκες, η συσκευή θα ξεκινήσει να λειτουργεί ξανά.

ΣΥΝΤΗΡΗΣΗ

⚠ ΠΡΟΕΙΔΟΠΟΙΗΣΗ

Το προϊόν δεν πρέπει ποτέ να συνδέεται σε παροχή ισχύος όταν συναρμολογείτε εξαρτήματα, όταν διεξάγετε ρυθμίσεις, καθαρισμό, συντήρηση ή όταν το προϊόν δε χρησιμοποιείται. Αποσυνδέοντας τη συσκευή από την παροχή ρεύματος προλαμβάνει την ακούσια ενεργοποίηση της η οποία μπορεί να επιφέρει σοβαρό τραυματισμό.

⚠ ΠΡΟΕΙΔΟΠΟΙΗΣΗ

Χρησιμοποιείτε μόνο αυθεντικά ανταλλακτικά, εξαρτήματα και προσαρτήματα στις εργασίες επισκευής. Η χρήση οποιουδήποτε άλλου ανταλλακτικού μπορεί να παρουσιάσει κίνδυνο ή να προκαλέσει ζημιά στο εργαλείο σας.

- Αποφύγετε τη χρήση διαλυτών κατά τον καθαρισμό πλαστικών εξαρτημάτων. Τα περισσότερα πλαστικά μπορούν να υποστούν ζημιά από τη χρήση ορισμένων διαλυτών που διατίθενται στο εμπόριο. Χρησιμοποιήστε ένα καθαρό πανάκι για να καθαρίσετε τις ακαθαρσίες, τη σκόνη, κλπ.

⚠ ΠΡΟΕΙΔΟΠΟΙΗΣΗ

Σε καμία περίπτωση μην επιτρέψετε τα υγρά φρένων, η βενζίνη, προϊόντα με βάση το πετρέλαιο, έλαια που διεισδύουν κλπ. να έρχονται σε επαφή με πλαστικά τμήματα. Αυτά τα χημικά προϊόντα περιέχουν ουσίες οι οποίες μπορούν να προξενήσουν ζημιά, να μειώσουν ή να καταστρέψουν το πλαστικό.

⚠ ΠΡΟΕΙΔΟΠΟΙΗΣΗ

Για μεγαλύτερη ασφάλεια και αξιοπιστία, όλες οι επισκευές πρέπει να διεξάγονται από ένα εξουσιοδοτημένο κέντρο σέρβις.

Η σκόνη από γύψο και γυψοσανίδες είναι λειαντική και μπορεί να προκαλέσει πρόωγη βλάβη του προϊόντος, αν μπορεί να μπει στον χώρο του κινητήρα. Καθαρίστε καλά το προϊόν μετά τη χρήση, χρησιμοποιώντας ένα πινέλο και ηλεκτρική σκούπα. Προσέξτε να μην σπρώξετε βρωμιά μέσα στα ανοίγματα εξαερισμού. Μην χρησιμοποιείτε πεπιεσμένο αέρα για τον καθαρισμό του προϊόντος, αφού η σκόνη και τα υπολείμματα μπορούν να προκαλέσουν σοβαρούς οφθαλμολογικούς τραυματισμούς.

ΛΙΠΑΝΣΗ

Όλα τα έδρανα στο προϊόν έχουν λιπανθεί με επαρκή ποσότητα λιπαντικού υψηλής ποιότητας για όλη τη διάρκεια ζωής του προϊόντος, υπό φυσιολογικές συνθήκες λειτουργίας. Συνεπώς, δε χρειάζεται καμία επιπλέον λίπανση.

ΣΥΜΒΟΛΑ



Προειδοποίηση ασφαλείας



Συνεχές ρεύμα



Παρακαλούμε διαβάστε τις οδηγίες προσεκτικά πριν ξεκινήσετε το μηχάνημα.



Ξύλο - Εγκάρσια και ευθύγραμμη κοπή



Μη σιδηρούχα μέταλλα - Εγκάρσιες και ευθύγραμμες κοπές



Πλαστικά - Εγκάρσια και ευθύγραμμη κοπή



Για να μειωθεί ο κίνδυνος τραυματισμού ή ζημιάς, αποφύγετε την επαφή με οποιαδήποτε θερμή επιφάνεια.

Οι μπαταρίες καθώς και ο ηλεκτρονικός και ηλεκτρικός εξοπλισμός δεν πρέπει να απορρίπτονται στα αδιαχώριστα απορρίματα της κοινότητας.

Οι μπαταρίες καθώς και ο ηλεκτρονικός και ηλεκτρικός εξοπλισμός προς απόρριψη θα πρέπει να συλλέγονται χωριστά.

Οι μπαταρίες, οι συσσωρευτές και οι πηγές φωτός προς απόρριψη θα πρέπει να αφαιρούνται από τον εξοπλισμό.

Επικοινωνήστε με την τοπική σας αρχή ή τον προμηθευτή σας για συμβουλές ανακύκλωσης και σημείο συλλογής.

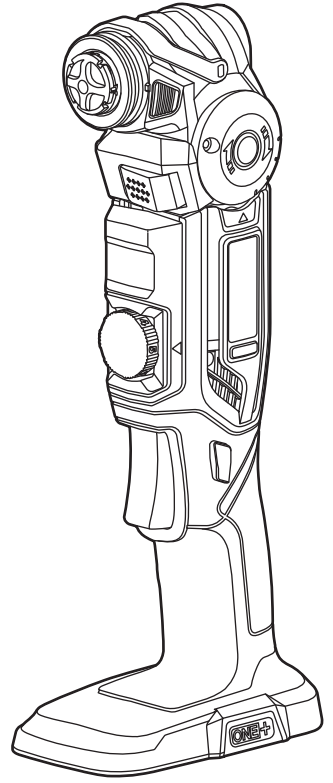
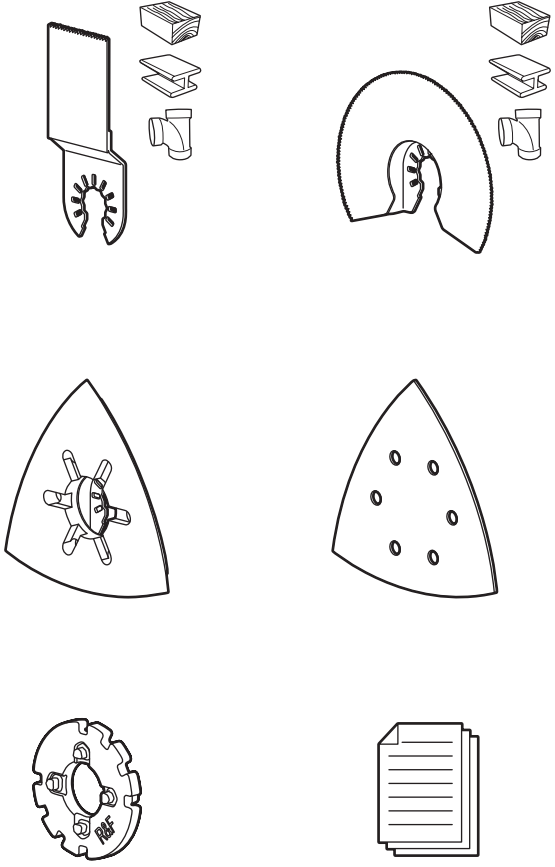
Σύμφωνα με τους τοπικούς κανονισμούς, οι προμηθευτές ενδέχεται να υποχρεούνται να παραλαμβάνουν τον ηλεκτρονικό και ηλεκτρικό εξοπλισμό προς απόρριψη, χωρίς χρέωση.

Η συμβολή σας στην επαναχρησιμοποίηση και την ανακύκλωση ηλεκτρονικού και ηλεκτρικού εξοπλισμού προς απόρριψη βοηθά στη μείωση της ζήτησης πρώτων υλών.

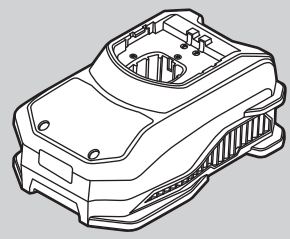
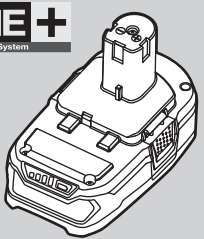
Οι άχρηστες μπαταρίες, και κυρίως όσες περιέχουν λίθιο, όπως και ο άχρηστος ηλεκτρονικός και ηλεκτρικός εξοπλισμός, περιέχουν πολύτιμα ανακυκλώσιμα υλικά, τα οποία μπορεί να βλάψουν τόσο το περιβάλλον, όσο και την ανθρώπινη υγεία, εάν δεν απορρίπτονται με τρόπο φιλικό προς το περιβάλλον.

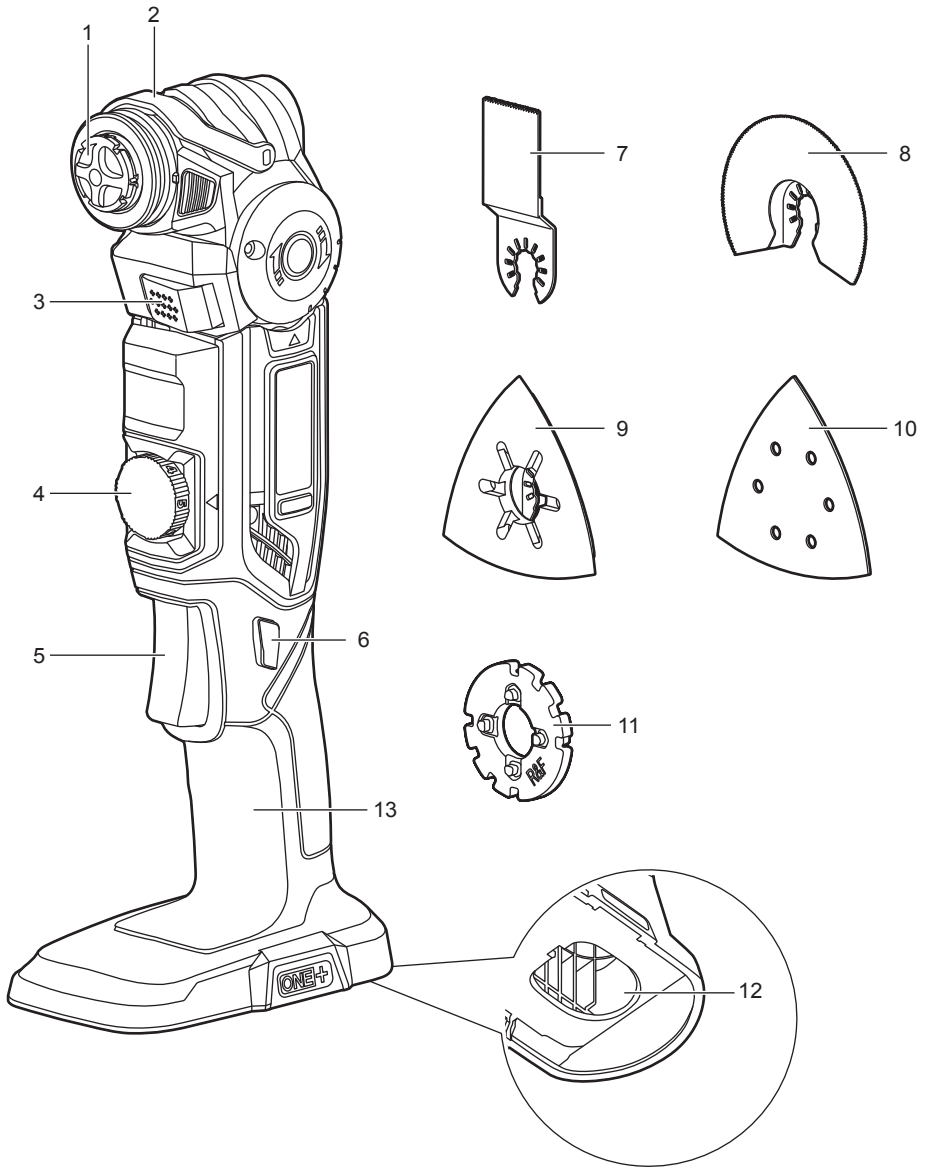
Διαγράψτε τυχόν προσωπικά δεδομένα από τον εξοπλισμό.

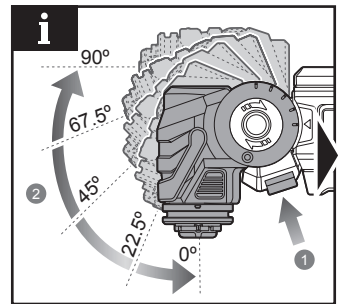
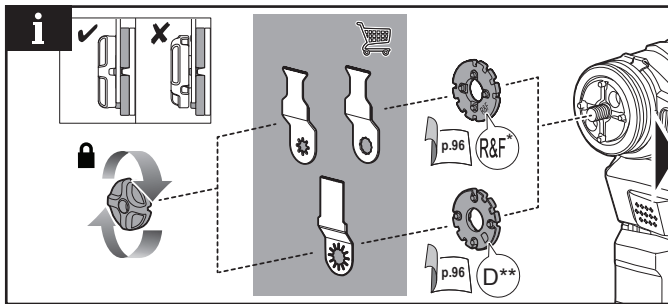
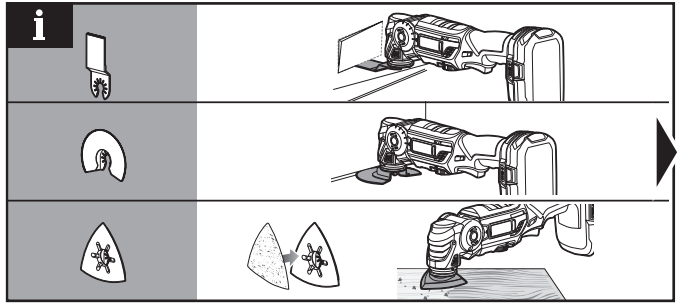
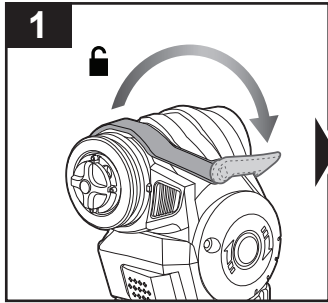


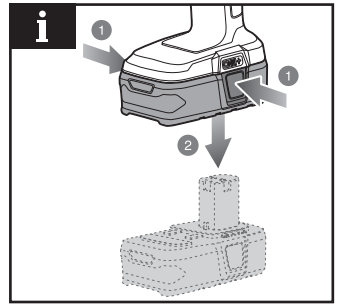
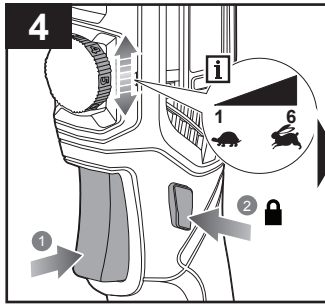
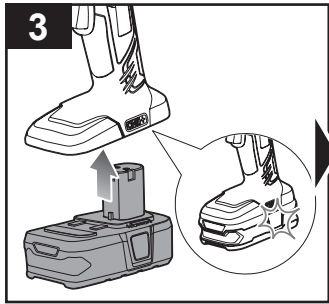
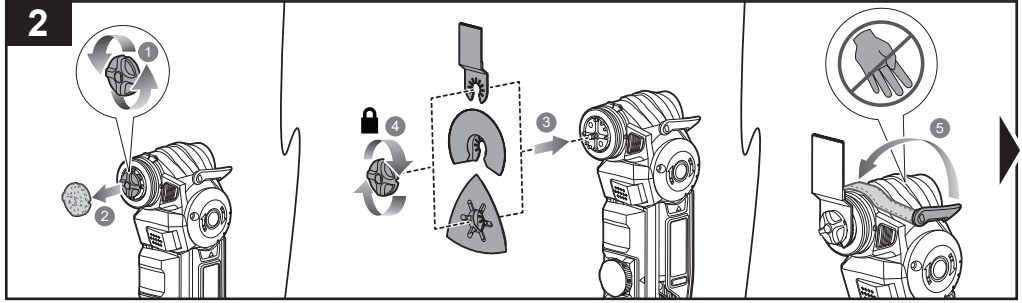


EVORI **ONE+**
18v System









EN MULTI-TOOL ADAPTOR

*Compatible with earlier generations of RYOBI, RIDGID, or AEG accessories. RYOBI is a trademark used under license from Ryobi Limited. RIDGID is a trademark of Emerson Electric Co. AEG is a registered trademark used under license from AB Electrolux (publ).
*Compatible with FEIN accessories. FEIN is a trademark of C. & E. Fein GmbH.
**Compatible with DREMEL accessories. DREMEL is a trademark of Robert Bosch Tool Corporation.

FR ADAPTEUR MULTI-OUTILS

*Compatible avec les générations précédentes d'accessoires RYOBI, RIDGID ou AEG. RYOBI est une marque commerciale, utilisée sous licence de Ryobi Limited. RIDGID est une marque commerciale d'Emerson Electric Co. AEG est une marque commerciale déposée, utilisée sous licence d'AB Electrolux (publ).
*Compatible avec les accessoires FEIN. FEIN est une marque commerciale de C. & E. Fein GmbH.
**Compatible avec les accessoires DREMEL. DREMEL est une marque commerciale de Robert Bosch Tool Corporation.

DE MULTITOO-ADAPTER

*Mit den früheren Zubehörröhren der Firmen RYOBI, RIDGID und AEG kompatibel. RYOBI ist eine von Ryobi Limited lizenzierte Handelsmarke. RIDGID ist eine Handelsmarke von Emerson Electric Co. AEG ist eine registrierte von AB Electrolux (publ) lizenzierte Handelsmarke.
*Kompatibel mit Zubehör von FEIN. FEIN ist eine Handelsmarke der C. & E. Fein GmbH.
**Kompatibel mit Zubehör von DREMEL. DREMEL ist eine Handelsmarke der Robert Bosch Tool Corporation.

ES ADAPTADOR PARA MULTIHERRAMIENTA

*Compatible con generaciones anteriores de accesorios de RYOBI, RIDGID o AEG. RYOBI es una marca comercial utilizada bajo licencia de Ryobi Limited. RIDGID es una marca comercial de Emerson Electric Co. AEG es una marca comercial registrada utilizada bajo licencia de AB Electrolux (publ).
*Compatible con los accesorios FEIN. FEIN es una marca comercial de C. & E. Fein GmbH.
**Compatible con los accesorios DREMEL. DREMEL es una marca comercial de Robert Bosch Tool Corporation.

IT ADATTATORE MULTITENSILE

*Compatibile con le precedenti versioni degli accessori RYOBI, RIDGID o AEG. RYOBI è un marchio commerciale usato su licenza di Ryobi Limited. RIDGID è un marchio commerciale di Emerson Electric Co. AEG è un marchio commerciale registrato usato su licenza di AB Electrolux (publ).
*Compatibile gli accessori FEIN. FEIN è un marchio commerciale di C. & E. Fein GmbH.
**Compatibile gli accessori DREMEL. DREMEL è un marchio commerciale di Robert Bosch Tool Corporation.

NL ADAPTER MULTI-GEREEDSCHAP

*Compatibel met eerdere earlier generaties van RYOBI, RIDGID- en AEG-accessoires. RYOBI is een handelsmerk van Ryobi Limited en wordt onder licentie gebruikt. RIDGID is een handelsmerk van Emerson Electric Co. AEG is een gedeponeerd handelsmerk van AB Electrolux (publ) en wordt onder licentie gebruikt.
*Compatibel met accessoires van FEIN. FEIN is een handelsmerk van C. & E. Fein GmbH.
**Compatibel met accessoires van DREMEL. DREMEL is een handelsmerk van Robert Bosch Tool Corporation.

PT ADAPTADOR PARA MULTI-FERRAMENTA

*Compatível com gerações anteriores de acessórios RYOBI, RIDGID, ou AEG. RYOBI é uma marca comercial utilizada sob licença da Ryobi Limited. RIDGID é uma marca comercial da Emerson Electric Co. AEG é uma marca comercial registrada utilizada sob licença da AB Electrolux (publ).
*Compatível com acessórios FEIN. FEIN é uma marca comercial da C. & E. Fein GmbH.
**Compatível com acessórios DREMEL. DREMEL é uma marca comercial da Robert Bosch Tool Corporation.

DA MULTIVERKTØJADAPTOR

*Kompatibel med tidligere generationer af RYOBI-, RIDGID- eller AEG-tilbehør. RYOBI er et varemærke brugt under licens fra Ryobi Limited. RIDGID er et varemærke tilhørende Emerson Electric Co. AEG er et registreret varemærke brugt under licens fra AB Electrolux (publ).
*Kompatibel med FEIN-tilbehør. FEIN er et varemærke tilhørende C. & E. Fein GmbH.
**Kompatibel med DREMEL-tilbehør. DREMEL er et varemærke tilhørende Robert Bosch Tool Corporation.

SV ADAPTER FÖR MULTIREDSKAP

*Kompatibel med tidigare generationer av tillbehör till RYOBI, RIDGID, eller AEG. RYOBI är ett varumärke som används under licens från Ryobi Limited. RIDGID är ett varumärke som tillhör Emerson Electric Co. AEG är ett registrerat varumärke som används under licens från AB Electrolux (publ).
*Kompatibel med tillbehör från FEIN. FEIN är ett varumärke som tillhör C. & E. Fein GmbH.
**Kompatibel med tillbehör från DREMEL. DREMEL är ett varumärke som tillhör Robert Bosch Tool Corporation.

FI ADAPTERI MONITOIMITYÖKALULLE

*Yhteensopiva seuraavien tuotteiden aikaisempien sukupolvien kanssa: RYOBI, RIDGID, tai AEG-lisävarusteet. RYOBI on tavaramerkki, jonka lisenssinhaltija on Ryobi Limited. RIDGID on tavaramerkki, jonka omistaa Emerson Electric Co. AEG on rekisteröity tavaramerkki, jonka lisenssinhaltija on AB Electrolux (publ).
*Yhteensopiva FEIN-lisävarustevälineiden kanssa. FEIN on tavaramerkki, jonka omistaa C. & E. Fein GmbH.
**Yhteensopiva DREMEL-lisävarustevälineiden kanssa. DREMEL on tavaramerkki, jonka omistaa Robert Bosch Tool Corporation.

NO MULTIVERKTØYADAPTER

*Kompatibel med tidligere generasjoner av RYOBI-, RIDGID- eller AEG-tilbehør. RYOBI er et varemerke som brukes på lisens fra Ryobi Limited. RIDGID er et varemerke som tilhører Emerson Electric Co. AEG er et registrert varemerke som brukes på lisens fra AB Electrolux (publ).
*Kompatibel med FEIN-tilbehør. FEIN er et varemerke som tilhører C. & E. Fein GmbH.
**Kompatibel med DREMEL-tilbehør. DREMEL er et varemerke som tilhører Robert Bosch Tool Corporation.

RU АДАПТЕР МНОГФУНКЦИОНАЛЬНОГО ИНСТРУМЕНТА

*Совместимо с предыдущими поколениями принадлежностей RYOBI, RIDGID и AEG. RYOBI является товарным знаком, используемым по лицензии компании Ryobi Limited. RIDGID является товарным знаком компании Emerson Electric Co. AEG является зарегистрированным товарным знаком, используемым по лицензии компании AB Electrolux (publ).
*Совместимо с принадлежностями FEIN. FEIN является товарным знаком компании C. & E. Fein GmbH.
**Совместимо с принадлежностями DREMEL. DREMEL является товарным знаком компании Robert Bosch Tool Corporation.

PL ADAPTER DO NARZĘDZIA UNIWERSALNEGO

*Produkt zgodny z wcześniejszymi generacjami akcesoriów RYOBI, RIDGID oraz AEG. RYOBI jest znakiem towarowym na licencji Ryobi Limited. RIDGID jest znakiem towarowym na licencji Emerson Electric Co. AEG jest zarejestrowanym znakiem towarowym na licencji AB Electrolux (publ).

*Zgodny z akcesoriami FEIN. FEIN jest znakiem towarowym na licencji C. & E. Fein GmbH.
**Zgodny z akcesoriami DREMEL. DREMEL jest znakiem towarowym Robert Bosch Tool Corporation.

CS NÁSTAVEC PRO MULTIFUNKČNÍ NÁSTROJ

*Kompatibilní se staršími generacemi příslušenství RYOBI, RIDGID a AEG. RYOBI je ochranná známka používaná na základě licence od společnosti Ryobi Limited. RIDGID je ochranná známka společnosti Emerson Electric Co. AEG je ochranná známka používaná na základě licence od společnosti AB Electrolux (publ).
*Kompatibilní s příslušenstvím FEIN. FEIN je ochranná známka společnosti C. & E. Fein GmbH.
**Kompatibilní s příslušenstvím DREMEL. DREMEL je ochranná známka společnosti Robert Bosch Tool Corporation.

HU TÖBBFUNKCIÓS GÉP ADAPTERE

*A RYOBI, RIDGID illetve AEG tartozékok korábbi generációival kompatibilis. A RYOBI a Ryobi Limited licenccel rendelkező, RIDGID az Emerson Electric Co. védjegye. Az AEG az AB Electrolux (publ) licence keretében regisztrált védjegy.
**FEIN tartozékokkal kompatibilis. A FEIN a C. & E. Fein GmbH védjegye.
**DREMEL tartozékokkal kompatibilis. A DREMEL a Robert Bosch Tool Corporation védjegye.

RO ADAPTOR UNEALTA ULTIFUNCȚIONALĂ

*Compatibil cu accesoriile versiunilor anterioare ale RYOBI, RIDGID sau AEG. RYOBI este o marcă comercială utilizată sub licență de la Ryobi Limited. RIDGID este marcă comercială a Emerson Electric Co. AEG este o marcă comercială înregistrată utilizată sub licență de la AB Electrolux (publ).
*Compatibil cu accesorii FEIN. FEIN este o marcă comercială a C. & E. Fein GmbH.
**Compatibil cu accesorii DREMEL. DREMEL este o marcă comercială a Robert Bosch Tool Corporation.

LV DAUDFUNKCIONĀLĀ INSTRUMENTA ADAPTERS

*Savietojams ar iepriekšējām RYOBI, RIDGID, vai AEG aksesuāru paaudzēm. RYOBI ir Ryobi Limited licencēta preču zīme. RIDGID ir Emerson Electric Co preču zīme. AEG ir AB Electrolux (publ) licencēta reģistrēta preču zīme.
**Savietojams ar FEIN aksesuāriem. FEIN ir C. & E. Fein GmbH preču zīme.
**Savietojams ar DREMEL aksesuāriem. DREMEL Robert Bosch Tool Corporation preču zīme.

LT UNIVERSALIOJO ĮRANKIO ADAPTERIS

*Tinka naudoti su senesnių versijų RYOBI, RIDGID arba AEG priedais. RYOBI yra prekės ženklas, naudojamas pagal Ryobi Limited licenciją. RIDGID yra Emerson Electric Co' prekės ženklas. AEG yra registruotas prekės ženklas, naudojamas pagal „AB Electrolux“ (leid.) licenciją.
*Galima naudoti su FEIN priedais. FEIN yra C. & E. Fein GmbH' prekės ženklas.
**Galima naudoti su DREMEL priedais. DREMEL yra „Robert Bosch Tool Corporation“ prekės ženklas.

ET MULTIFUNKTSIONAALSE TÕÖRISTA ADAPTER

*Sobib kasutada koos RYOBI, RIDGID ja AEG varusemetelide tarviketega. RYOBI on ettevõtte Ryobi Limited litsentsi alusel kasutatav kaubamärk. RIDGID on ettevõtte Emerson Electric Co kaubamärk. AEG on ettevõtte AB Electrolux (publ) litsentsi alusel kasutatav registreeritud kaubamärk.
*Sobib kasutada FEIN tarviketega. FEIN on ettevõtte C. & E. Fein GmbH kaubamärk.
**Ühildub DREMEL tarviketega. DREMEL on ettevõtte Robert Bosch Tool Corporation kaubamärk.

HR ADAPTER VIŠENAMJENSKOG ALATA

*Kompatibilno s ranijim generacijama pribora RYOBI, RIDGID ili AEG. RYOBI je žig korišten po licenci dobivenoj od tvrtke Ryobi Limited. RIDGID je žig tvrtke Emerson Electric Co. AEG je registrirani žig korišten po licenci dobivenoj od tvrtke AB Electrolux (publ).
*Kompatibilno s FEIN priborom. FEIN je žig tvrtke C. & E. Fein GmbH.
**Kompatibilno s DREMEL priborom. DREMEL je žig tvrtke Robert Bosch Tool Corporation.

SL VEČNAMENSKI ADAPTER

*Zdravljivo s prejšnjimi generacijami dodatkov RYOBI, RIDGID ali AEG. RYOBI je blagovna znamka, ki se uporablja z dovoljenjem podjetja Ryobi Limited. RIDGID je blagovna znamka podjetja Emerson Electric Co. AEG je registrirana blagovna znamka, ki se uporablja z dovoljenjem podjetja AB Electrolux (publ).
*Zdravljivo z dodatki FEIN. FEIN je blagovna znamka podjetja C. & E. Fein GmbH.
**Zdravljivo z dodatki DREMEL. DREMEL je blagovna znamka podjetja Robert Bosch Tool Corporation.

SK ADAPTER PRE VIACÚCELOVÉ NÁRADIE

*Kompatibilné s predchádzajúcimi generáciami príslušenstva RYOBI, RIDGID a AEG. RYOBI je ochranná známka používaná na základe licencie od spoločnosti Ryobi Limited. RIDGID je ochranná známka spoločnosti Emerson Electric Co. AEG je registrovaná ochranná známka používaná na základe licencie od spoločnosti AB Electrolux (publ).
*Kompatibilný s príslušenstvom FEIN. FEIN je ochranná známka spoločnosti C. & E. Fein GmbH.
**Kompatibilný s príslušenstvom DREMEL. DREMEL je ochranná známka spoločnosti Robert Bosch Tool Corporation.

BG АДАПТЕР ЗА МНОГФУНКЦИОНАЛЕН ИНСТРУМЕНТ

*Съвместимо с по-стари поколения принадлежности за RYOBI, RIDGID или AEG. RYOBI е търговска марка, използвана под лиценз от Ryobi Limited. RIDGID е търговска марка на Emerson Electric Co. AEG е търговска марка, използвана под лиценз от AB Electrolux (publ).
*Съвместимо с аксесоари от FEIN. FEIN е търговска марка на C. & E. Fein GmbH.
**Съвместимо с аксесоари от DREMEL. DREMEL е търговска марка Robert Bosch Tool Corporation.

UK АДАПТЕР ДЛЯ БАГАТФУНКЦИОНАЛЬНИХ ИНСТРУМЕНТІВ

*Умовність за попередніми поколіннями аксесуарів RYOBI, RIDGID або AEG. RYOBI є зареєстрованою торговою маркою, яка використовується за ліцензією Ryobi Limited. RIDGID є торговою маркою Emerson Electric Co. AEG є зареєстрованою торговою маркою, яка використовується за ліцензією AB Electrolux (publ).
*Умовний за FEIN аксесуарам. FEIN є торговою маркою C. & E. Fein GmbH.
**Умовний із DREMEL аксесуарам. DREMEL є торговою маркою Robert Bosch Tool Corporation.

TR ÇOK İŞLEVİLİ ALET ADAPTÖRÜ

*Daha önceki RYOBI, RIDGID veya AEG aksesuar modelleriyle uyumlu. RYOBI, Ryobi Limited lisansı altında kullanılan bir markadır. RIDGID, Emerson Electric Co şirketinin bir ticari markasıdır. AEG, AB Electrolux (publ) lisansı altında kullanılan bir ticari markadır.
*FEIN aksesuarlarıyla uyumlu. FEIN, C. & E. Fein GmbH şirketinin bir ticari markasıdır.
**DREMEL aksesuarlarıyla uyumlu. DREMEL, Robert Bosch Tool Corporation şirketinin bir ticari markasıdır.

EL ΠΡΟΞΑΡΜΟΓΕΑΣ ΠΟΛΥΕΡΓΑΛΕΙΟΥ

*Συμβατό με παλαιότερα μοντέλα εξοπλισμών RYOBI, RIDGID, ή AEG. Το RYOBI αποτελεί εμπορικό σήμα που χρησιμοποιείται με την άδεια της Ryobi Limited. Το RIDGID αποτελεί εμπορικό σήμα της Emerson Electric Co. Το AEG αποτελεί εμπορικό σήμα που χρησιμοποιείται με την άδεια της AB Electrolux (όμιλος).
*Συμβατό με εξοπλισμό FEIN. Το FEIN αποτελεί εμπορικό σήμα της C. & E. Fein GmbH.
**Συμβατό με εξοπλισμό DREMEL. Το DREMEL αποτελεί εμπορικό σήμα της Robert Bosch Tool Corporation.



English	Français	Deutsch	Español	Italiano	Nederlands	Português	
Battery and charger	Batterie et chargeur	Akku und Ladegerät	Batería y cargador	Batteria e caricatore	Accu en lader	Bateria e carregador	
Compatible battery packs (not included)	Pack batterie compatible (non compris)	Kompatible Akkupacks (nicht im Lieferumfang enthalten)	Packs de Batería compatibles (no incluido)	Gruppo batterie compatibile (non incluso)	Compatibel accupack (niet inbegrepen)	Baterias compatíveis (não incluída)	RB18..
Compatible chargers (not included)	Chargeur compatible (non compris)	Kompatibles Ladegerät (nicht im Lieferumfang enthalten)	Cargador compatible (no incluido)	Caricatore compatibile (non incluso)	Compatibele oplader (niet inbegrepen)	Carregador compatível (não incluída)	BCL1418..H RC18..

Dansk	Svenska	Suomi	Norsk	Русский	Polski	Čeština	
Batteri og oplader	Batteri och laddare	Akku ja laturi	Batteri og lader	Батарея и зарядное устройство	Akumulator i ładowarka	Baterie a nabíječka	
Kompatibelt batteri (medfølger ikke)	Kompatibelt batteripack (inte inkluderat)	Yhteensopiva akku (ei mukana)	Kompatible batteripakker (ikke inkludert)	Совместимая аккумуляторная батарея (не входит в комплект поставки)	Pasujące akumulatory (nie dołączona)	Kompatibilní akumulátor (nepřibalen)	RB18..
Kompatibel oplader (medfølger ikke)	Passande laddare (inte inkluderat)	Yhteensopiva laturi (ei mukana)	Kompatibel lader (ikke inkludert)	Совместимое зарядное устройство (не входит в комплект поставки)	Odpowiednia ładowarka (nie dołączona)	Kompatibilní nabíječka (nepřibalen)	BCL1418..H RC18..



Magyar	Română	Latviski	Lietuviškai	Eesti	Hrvatski	
Akkumulátor és töltő	Baterie și încărcător	Akumulators un lādētājs	Baterija ir įkroviklis	Aku ja laadija	Baterija i punjač	
Kompatibilis akkumulátor (nem tartozék)	Acumulatori compatibili (neinclus)	Saderīgu akumulatoru komplekts (nav kompl.)	Suderinamas baterijos paketas (nepriedama)	Ühilduvad akupaketid (ei ole komplektis)	Kompatibilno pakiranje baterija (nije uključeno)	RB18..
Kompatibilis töltő (nem tartozék)	Încărcător compatibil (neinclus)	Saderīgs lādētājs (nav kompl.)	Tinkamas įkroviklis (nepriedama)	Kasutatav laadija (ei ole komplektis)	Kompatibilni punjač (nije uključeno)	BCL1418..H RC18..



Slovenščina	Slovenčina	България	Українська мова	Türkçe	Ελληνικά	
Baterija in polnilnik	Akumulátor a nabíjačka	Батерия и зарядно устройство	Акумулятор і зарядний пристрій	Batarya ve şarj aleti	Μπαταρία και φορτιστής	
Zdrüjlive baterije (ni priložen)	Kompatibilná jednotka akumulátorov (nie je súčasťou balenia)	Съвместима акумулаторна батерия (не е включена в комплекта)	Сумісний акумулятор (не входить в комплект)	Uyumlu pil takımı (dahil değildir)	Συμβατή μπαταρία (δεν περιλαμβάνεται)	RB18..
Zdrüjliv polnilec (ni priložen)	Kompatibilná nabíjačka (nie je súčasťou balenia)	Съвместимо зарядно устройство (Не е включено)	Сумісний зарядний пристрій (не входить в комплект)	Uyumlu şarj cihazı (dahil değildir)	Συμβατος φορτιστης (δεν περιλαμβάνεται)	BCL1418..H RC18..



English	Français	Deutsch	Español	Italiano	Nederlands
Product specifications	Caractéristiques de l'appareil	Produkt-Spezifikationen	Especificaciones del producto	Specifiche prodotto	Productspecificaties
18V Multi-tool	Multi-outils 18V	18V Multitool	Multiherramienta de 18 V	Multiutensile 18 V	18 V multi-gereedschap
Model	Modèle	Modell	Marca	Marca	Merk
Voltage	Tension	Spannung	Tensión	Voltaggio	Spanning
No-load speed	Vitesse à vide	Leerlaufdrehzahl	Velocidad sin carga	Velocità a vuoto	Onbelast toerental
Oscillation angle	Angle d'oscillation	Oszillationswinkel	Ángulo de oscilación	Angolo di oscillazione	Oscillerende hoek
Weight - excluding battery pack	Poids - sans pack batterie	Gewicht - ohne Akkupack	Peso - Excluyendo conjunto de batería	Peso - Senza gruppo batteria	Gewicht - exclusief accupack
Weight (According to EPTA-Procedure 01/2014)	Poids (selon la procédure EPTA 01/2014)	Gewicht (Gemäß EPTA-Verfahren 01/2014)	Peso (Según el procedimiento EPTA 01/2014)	Peso (Secondo quanto indicato dalla EPTA-Procedure 01/2014)	Gewicht (Overeenkomstig de EPTA-procedure 01/2014)
Measured sound values determined according to EN 62841:	Valeurs du son mesuré déterminées selon EN 62841:	Gemäß EN 62841: gemessene Schallwerte	Valores medidos del sonido en función de la norma EN 62841:	Valori del suono misurati determinati secondo lo standard EN 62841:	Gemeten geluidswaarden bepaald in overeenstemming met EN 62841:
A-weighted sound pressure level	Niveau de pression sonore pondéré-A	A-bewerteter Schalldruckpegel	Nivel de presión acústica ponderada en A	Livello di pressione sonora pesato A	A-gewogen geluidsdrukniveau
Uncertainty K	Incertitude K	Unsicherheit K	Incertidumbre K	Incertezza K	Onzekerheid K
A-weighted sound power level	Niveau de puissance sonore pondéré-A	A-bewerteter Schalleistungspegel	Nivel de potencia acústica ponderada en A	Livello di potenza sonora pesato A	A-gewogen geluidsniveau
Uncertainty K	Incertitude K	Unsicherheit K	Incertidumbre K	Incertezza K	Onzekerheid K
Wear ear protectors.	Portez une protection acoustique.	Tragen Sie Gehörschutz.	Utilice protección auditiva!	Indossare protezioni acustiche adeguate.	Draag oorbeschermers.
The vibration total values (triaxial vector sum) determined according to EN 62841:	La valeur totale des vibrations (somme vectorielle triaxiale) a été déterminée selon EN62841 :	Die Vibrationsgesamtwerte (triaxiale Vektorensomme) ermittelt entsprechend EN62841:	Los valores de vibración total (suma de vectores triax.), determinado según la norma EN62841:	I valori totali delle vibrazioni (somma di vettori in tre direzioni) sono misurati conformemente alla norma EN62841:	De totale trillingswaarden (triaxiale vectorsom) vastgesteld in overeenstemming met EN62841:
Sanding with sanding pad	Ponçage à l'aide d'un tampon abrasif	Schleifen mit dem Schleifpad	Lijar con lija	Levigatura con cuscinetto levigante	Schuren met schuurpad
Uncertainty K	Incertitude K	Unsicherheit K	Incertidumbre K	Incertezza K	Onzekerheid K
Cutting with 88-mm flush cut blade	Coupe avec une lame pour coupe à ras 88 mm	Schneiden mit der Glattschnittsägeblatt	El corte con cuchilla de corte al ras 88 mm	Taglio con lama per tagli a livello da 88 mm	Zagen met 88 mm flushcut zaagblad
Uncertainty K	Incertitude K	Unsicherheit K	Incertidumbre K	Incertezza K	Onzekerheid K
Cutting with 28-mm plunge cut blade	Coupe avec une lame plongeante de 28 mm	Schneiden mit der 28 mm Einsteckschliffklinge	El corte con cuchilla de corte de inmersión 28 mm	Taglio con lama per tagli di profondità da 28 mm	Zagen met 28 mm insteekzaagblad
Uncertainty K	Incertitude K	Unsicherheit K	Incertidumbre K	Incertezza K	Onzekerheid K



Português	Dansk	Svenska	Suomi	Norsk	Русский	
Especificações do produto	Produktspecifikationer	Produktspecifikationer	Tuotteen tekniset tiedot	Produktspesifikasjoner	Характеристики изделия	
Multi-ferramenta de 18V	18V multiværktøj	18 V Multiredskap	18 V monitoimityökalu	18 V multiverktøy	Многофункциональный инструмент 18 В	
Marca	Brand	Modellnummer	Mallinnumero	Merke	Марка	R18MT TYPE II
Voltagem	Spænding	Spänning	Jännite	Spenning	Напряжение	18 V
Velocidade em vazio	Tomgangshastighed	Tomgångshastighet	Tyhjäkäyntinopeus	Hastighet ubelastet	Скорость на холостом ходу	10000 - 20000 min-1
Ângulo de oscilação	Oscillationsvinkel	Oscillationsvinkel	Oskillaatiokulma	Svingningsvinkel	Угол качания	3,2 °
Peso - excluindo conjunto de bateria	Vægt - Batteri medfølger ikke	Vikt - Batteri medfølger ej	Paino - ilman akkua	Vekt - uten batteripakke	Вес - без аккумуляторной батареи	0,92 kg
Peso (De acordo com o Procedimento EPTA 01/2014)	Vægt (I henhold til EPTA-procedure 01/2014)	Vikt (Enligt EPTA 01/2014)	Paino (EPTA-menetelmän 01/2014 mukaan)	Vekt (I henhold til EPTA-prosedyre 01/2014)	Вес (Соответствует требованиям EPTA-Procedure 01/2014)	1,5 kg (1,3 Ah) – 2,27 kg (9,0 Ah)
Valores medidos do som em função da norma EN 62841:	Målte lydverdier bestemt iht. EN 62841:	Uppmätta ljudvärden enligt EN 62841:	Mitatut arvot määritetty EN 62841: standardin mukaan:	Målte lydverdier bestemt iht. EN 62841:	Измеренные значения параметров звука определены в соответствии с EN 62841:	
Nível de pressão sonora ponderada A	A-vægtet lydtryksniveau	A-vägd ljudtrycksnivå	A-painotettu äänenpainetaso	A-vektet lydtryknivå	Уровень A-взвешенного звукового давления	$L_{pA} = 87,5$ dB(A)
Incerteza K	Usikkerhed K	Osäkerhet K	Epätarkkuus K	Usikkerhet K	Разброс K	3 dB(A)
Nível de potência sonora ponderada A	A-vægtet lydeffektniveau	A-vägd ljudeffektsnivå	A-painotettu äänenteho	A-vektet lydeffektnivå	Уровень A-взвешенной звуковой мощности	$L_{WA} = 95,5$ dB(A)
Incerteza K	Usikkerhed K	Osäkerhet K	Epätarkkuus K	Usikkerhet K	Разброс K	3 dB(A)
Sempre use a protecção dos ouvidos.	Bær høreværn.	Bär hörselskydd.	Käytä korvasuojia.	Bruk hørselsvern.	Используйте наушники!	
Os valores totais de vibração (soma do vector triax) são determinados em conformidade com a:	Totale vibrationsværdier (triax vector sum) afgøres ifølge EN62841:	Det totala vibrationsvärdet (treaxelvektorsumma) är framtaget enligt EN62841:	Tärinän kokonaisarvot (kolmiakselinen vektorisumma) määritettyä standardin EN62841 mukaisesti:	De totale vibrasjonsverdiene (triax vektor-sum) er fastsatt i henhold til EN62841:	суммарное значение вибрации (векторная сумма по трем координатам) определено в соответствии со стандартом EN62841:	
Lixar com lixa	Slibning med slibepad	Slipning med slipplatta	Hionta hiontatyyntyllä	Sliping med slipeputer	Шлифовка шлифовальной насадкой	$a_w \leq 2,5$ m/s ²
Incerteza K	Usikkerhed K	Osäkerhet K	Epätarkkuus K	Usikkerhet K	Погрешность K	1,5 m/s ²
Corte com 88 mm de lâmina de corte rente	Skæring med 88 mm udjævningsblad	Skåra med 88 mm skärblad	Leikkaaminen 88 mm:n tasaleikkuuterällä	Kapping med 88 mm plankappingblad	Резка пильным полотном для резки заподлицо 88 мм	$a_w \leq 2,5$ m/s ²
Incerteza K	Usikkerhed K	Osäkerhet K	Epätarkkuus K	Usikkerhet K	Погрешность K	1,5 m/s ²
Corte com 28 mm de lâmina de corte de chanfrar	Skæring med 28 mm dyksavsklinge	Skåra med 28 mm tillskärarblad	Leikkaaminen 28 mm:n uppoleikkuuterällä	Kapping med 28 mm dykkappingblad	Резка погружным пильным полотном 28 мм	$a_w \leq 2,5$ m/s ²
Incerteza K	Usikkerhed K	Osäkerhet K	Epätarkkuus K	Usikkerhet K	Погрешность K	1,5 m/s ²





Polski	Čeština	Magyar	Română	Latviski	Lietuviškai	Eesti
Parametry techniczne	Technické údaje produktu	Termék műszaki adatai	Specificațiile produsului	Produkta specifikācijas	Gaminio techninės savybės	Toote tehnilised andmed
Narzędzie uniwersalne 18 V	18V multifunkční nářadí	18 V-os többfunkciós gép	Unealtă multifuncțională cu acumulator de 18V	18V Daudzfunkcionālais instruments	18 V Universalisus įrankis	18 V universaaltööriist
Numer modelu	Značka	Márka	Număr serie	Modeļa numurs	Prekės ženklas	Mark
Napięcie	Elektrické napětí	Feszültség	Tensiune	Sriegums	Įtampa	Pinge
Prędkość bez obciążenia	Otáčky naprázdno	Üresjárati fordulatszám	Viteză în gol	Tukšgaitas ātrums	Greitis be apkrovimo	Kiirus ilma koormuseta
Kąt oscylacji	Oscilační úhel	Oscilláció szöge	Unghi de oscilație	Svārstību leņķis	Virpesių kampas	Võnkliikumise nurk
Masa - bez akumulatora	Hmotnost - bez baterie	Súly - akkumulátor nélkül	Greutate - exclusiv acumulatorul	Svars - izņemot akumulatora iepakojumu	Svoris - neįskaitant baterijos paketo	Kaal - välja arvatud akupakett
Masa (Zgodnie z procedurą EPTA 01/2014)	Hmotnost (Dle protokolu EPTA 01/2014)	Súly (A 01/2014 EPTA-eljárás szerint)	Greutate (În conformitate cu Procedura EPTA din 01/2014)	Svars (Saskaņā ar EPTA procedūru 01/2014)	Svoris (Pagal Europos elektriinių įrankių asociacijos (EPTA) nustatytą tvarką 01/2014)	Kaal (Vastavalt EPTA-protseduurile 01/2014)
Zmierzone wartości akustyczne zgodnie z normą EN 62841:	Naměřené hodnoty hluku zjištěné dle EN 62841:	A hang értékek meghatározása az EN 62841: szerint történt:	Valori de sunet măsurate determinate în conformitate cu EN 62841:	Izmērtās skaņas vērtības ir noteiktas saskaņā ar EN 62841:	Išmatuotos garso vertės nustatytos pagal EN 62841:	Mõõteväärtused on kindlaks määratud vastavalt standardile EN 62841:
A-ważony poziom ciśnienia hałasu	Hladina akustického tlaku vážená funkcí A	A-súlyozott hangnyomásszint	Nivel de presiune acustică ponderată A	A-līmeņa skaņas spiediena līmenis	A svertinis garso slėgio lygis	A-kaalutud helirõhu tase
Niepewność pomiaru K	Nejistota K	Bizonytalanság K	Incertitudine K	Kļūdas vērtība K	Nepastovumas K	Mõõtemääramatus K
A-ważony poziom natężenia hałasu	Hladina akustického výkonu vážená funkcí A	A-súlyozott hangteljesítményszint	Nivel de putere acustică ponderată A	A-līmeņa skaņas jaudas līmenis	A svertinis garso galios lygis	A-kaalutud helivõimsuse tase
Niepewność pomiaru K	Nejistota K	Bizonytalanság K	Incertitudine K	Kļūdas vērtība K	Nepastovumas K	Mõõtemääramatus K
Stosować środki ochrony słuchu!	Používejte chrániče sluchu.	Viseljen hallásvédőt.	Purtați aparatoare de urechi.	Lietojiet dzirdes aizsargus.	Naudokite ausų apsaugos priemonės.	Kasutage kuulmiskaitsevahendeid.
Wartości sumaryczne drgań (suma wektorowa przyspieszeń mierzona czujnikiem typu triax) określone zgodnie z normą EN62841:	Celkové hodnoty vibrací (třísy vektorový součet) určené v souladu s EN62841:	Vibráció teljes értékei (háromtengelyű vektorösszeg), az EN 62841 szerint meghatározva:	Valorile totale ale vibrațiilor (suma vectorială a trei direcții) au fost determinate conform EN62841:	Vibrāciju kopējās vērtības (trīsasu vektoru summa) tiek noteiktas atbilstoši EN62841:	Bendros vibracijos vertės (trikampio vektorių suma) nustatomos pagal EN62841:	Vibratsiooni koguväärtused (kolme suuna vektorisumma) on vastavalt standardile EN 62841 määratud järgmiselt:
Szlifowanie przy użyciu tarczy szlifierskiej	Broušení brusnou podložkou	Csiszolás csiszolópárnával	Șlefuire cu talpă de șlefuire	Šļīpēšana ar šļīpēšanas pamatni	Šlifavimas šlifavimo popieriaus lapeliu	Lihvimine lihvimispadjaga
Niepewność pomiaru K	Nejistota K	Bizonytalanság K	Incertitudine K	NeNOTEIKĪBA K	Nepastovumas K	Määramatus K
Cięcie przy użyciu ostrego do cięcia brzegowego 88 mm	Řezání pomocí čepele pro rovné řezání 88 mm	Vágás a 88 mm-es szintbévágó késsel	Tăiere cu lamă tip netezire de 88 mm.	Griešana ar 88 mm griešanas asmeni	Pjovimas 88 mm tiesaus pjovimo geležte	Lõikamine tasalõiketeraga 88 mm
Niepewność pomiaru K	Nejistota K	Bizonytalanság K	Incertitudine K	NeNOTEIKĪBA K	Nepastovumas K	Määramatus K
Cięcie przy użyciu ostrego do cięcia wewnętrznego 28 mm	Řezání pomocí čepele pro zapichovací řezy 28 mm	Vágás a 28 mm-es beszűrő vágókéssel	Tăiere cu lamă tip decupare 28 mm	Griešana ar 28 mm iegremdējamo asmeni	Pjovimas 28 mm kertamojo pjovimo geležte	Lõikamine avalõiketeraga 28 mm
Niepewność pomiaru K	Nejistota K	Bizonytalanság K	Incertitudine K	NeNOTEIKĪBA K	Nepastovumas K	Määramatus K





Hrvatski	Slovenščina	Slovenčina	България	українська мова	Türkçe	Ελληνικά	
Specifikacije proizvoda	Specifikacije izdelka	Špecifikácie produktu	Технически характеристики	Технічні характеристики продукту	Ürün Özellikleri	Προδιαγραφές Προϊόντος	
Višenamjenski alat od 18 V	Večnamensko orodje 18 V	18 V viacúčelové náradie	18V мулти-инструмент	Багатофункціональний пристрій 18В	18 V Çok işlevli alet	Πολυεργαλείο 18V	
Marka	Znamka	Značka	Модел	Модель	Marka	Μάρκα	R18MT TYPE II
Napon	Napetost	Napätie	Напряжение	Напруга	Gerilim	Τάση	18 V
Brzina bez opterećenja	Hitrost brez obremenitve	Otáčky bez zaťaženia	Скорост в ненатоварен режим	Швидкість без навантаження	Bota hız	Ταχύτητα στ key	10000 - 20000 min-1
Kut oscilacije	Kot vrtenja	Oscilačný uhol	Ъгъл на трептене	Кут коливання	Salınım açısı	Γωνία ταλάντωσης	3,2 °
Težina - baterija nije uključena	Teža - razen baterij	Hmotnosť - okrem jednotky akumulátora	Тегло - без батерията	Вага (без акумулятора)	Ağırlık - Harici batarya takımı	Βάρος - χωρίς μπαταρία	0,92 kg
Težina (Prema EPTA-postupku 01/2014)	Teža (Skladno s postopkom EPTA 01/2014)	Hmotnosť (Podľa EPTA-Procedure 01/2014)	Тегло (съответствие с EPTA 01/2014)	Вага (відповідно до процедури EPTA 01/2014)	Ağırlık (EPTA-Prosedürü 01/2014'e göre)	Βάρος (Σύμφωνα με την Διαδικασία EPTA 01/2014)	1,5 kg (1,3 Ah) – 2,27 kg (9,0 Ah)
Mjerena vrijednost zvuka određena je prema EN 62841:	Izmerjene zvočne vrednosti določene v skladu s standardom EN 62841:	Namerané hodnoty určené podľa EN 62841:	Измерените стойности на звука са определени в съответствие с EN 62841:	Виміряні значення шуму визначаються відповідно до EN 62841:	EN 62841: e göre hesaplanmış ses değerleri:	Μετρημένες τιμές ήχου σύμφωνα με το EN 62841:	
Ponderirana razina tlaka zvuka	A-izmerjena raven zvočnega tlaka	Vážená A hladina akustického tlaku	Ниво на шумово налягане с равнище А	A-зважений рівень звукового тиску	A ağırlıklı ses basıncı seviyesi	A-σταθμισμένο επίπεδο πίεσης ήχου	$L_{pA} = 87,5 \text{ dB(A)}$
Neodređenost K	Nedoloč. K	Odhýlka K	Променливост (K)	Невизначеність K	Belirsizlik K	Aβεβαιότητα K	3 dB(A)
Ponderirana razina zvučne snage	A-izmerjena raven zvočne moči	Vážená A hladina akustického výkonu	Ниво на силата на шума с равнище А	A-зважений рівень звукової потужності	A ağırlıklı ses gücü seviyesi	A-σταθμισμένο επίπεδο έντασης ήχου	$L_{WA} = 95,5 \text{ dB(A)}$
Neodređenost K	Nedoloč. K	Odhýlka K	Променливост (K)	Невизначеність K	Belirsizlik K	Aβεβαιότητα K	3 dB(A)
Nosite štitnike za uši.	Nosite ščitnike za ušesa.	Používajte chrániče sluchu.	Носете антифони	Носіть захисні навушники.	Kulak koruyucu kullanın.	Φοράτε υψοασπίδες.	
Ponderirana energetska vrijednost Ukupne vrijednosti vibracija (troosni vektorski zbir) određuju se u skladu s EN62841:	Skupna vrednost vibracij (vektorska vsota treh smeri) določena v skladu z EN62841:	Celkové hodnoty vibrácií (súhrn triaxiálneho vektora) určuje norma EN62841:	Общата стойност на вибрациите (триосна векторна сума) е определена в съответствие с EN 62841:	Загальне значення вібрації (триаксіальна векторна сума) визначається відповідно до EN 62841:	EN 62841 normuna uygun olarak belirlenmiş titreşim topları değerleri (triaks vektör topları):	Συνολικές αξίες κραδασμών (τρισδιάστατο διανυσματικό άθροισμα) σύμφωνα με EN62841:	
Brušenje s abrazivnim jastučićima	Brušenje z brusno blazinico	Brúsenie s brusnou položkou	Шлифоване с шлифовъчна подложка	Шліфування зі шлифувальним кругом	Zımpara kağıdıyla zımparalama	Λείανση με γυαλόχαρτο	$a_s \leq 2,5 \text{ m/s}^2$
Neodređenost K	Negotovost K	Odhýlka K	Променливост (K)	Невизначеність K	Belirsizlik K	Aβεβαιότητα K	1,5 m/s ²
Rezanje s 88 mm ravnom oštricom	Rezanje z 88 mm rezilom za ravne reze	Rezanie s 88 mm ostrim na úrovňové rezy	Рязане с 88-мм острие за рязане наравно	Різання з 88 мм лезом для прямого зрізу	88 mm düzleme kesim bıçağı ile kesim	Αποκοπή με λεπίδα 88 mm	$a_s \leq 2,5 \text{ m/s}^2$
Neodređenost K	Negotovost K	Odhýlka K	Променливост (K)	Невизначеність K	Belirsizlik K	Aβεβαιότητα K	1,5 m/s ²
Rezanje s 28 mm oštricom za zarezivanje	Rezanje z 28 mm rezilom za potopne reze	Rezanie s 28 mm ostrim na zapichovacie rezy	Рязане с 28-мм острие за рязане с врязване	Різання з 28 мм лезом для врязання	28 mm daldırma kesim bıçağı ile kesim	Κοπή σε βάθος με λεπίδα 28 mm	$a_s \leq 2,5 \text{ m/s}^2$
Neodređenost K	Negotovost K	Odhýlka K	Променливост (K)	Невизначеність K	Belirsizlik K	Aβεβαιότητα K	1,5 m/s ²





English	Français	Deutsch	Español	Italiano	Nederlands	Português
Replacement parts	Pièces de Rechange	Ersatzteile	Piezas de repuesto	Parti di ricambio	Vervangonderdelen	Peças de substituição
Adapter	Adaptateur	Adapter	Adaptador	Adattatore	Adapter	Adaptador
28-mm Plunge cut blade	Lame plongeante 28 mm	28 mm Einsteckschlißklinge	Hoja para incisiones de 28 mm	Lama per tagli a immersione da 28 mm	28 mm insteekzaagblad	Lâmina para cortes de rebarba de 28 mm
88-mm Flush cut blade	Lame pour coupe à ras 88 mm	88 mm Glattschnittsägeblatt	Hoja para corte a nivel de 88 mm	Lama per tagli in linea da 88 mm	88 mm langsaagblad	Lâmina para corte liso de 88 mm
Sanding pad	Patin	Schleifschuh	Patín	Pattino	Schuurvoet	Placa de lixar
Sanding paper, 60 grit	Papier de verre, grosseur 60	Schleifpapier, 60er Körnung	Papel de lija, 60 grit	Carta abrasiva, 60 grani abrasivi	Schuurpapier, 60 korrel	Papel de lixa, 60 grit
Sanding paper, 80 grit	Papier de verre, grosseur 80	Schleifpapier, 80er Körnung	Papel de lija, 80 grit	Carta abrasiva, 80 grani abrasivi	Schuurpapier, 80 korrel	Papel de lixa, 80 grit
Sanding paper, 120 grit	Papier de verre, grosseur 120	Schleifpapier, 120er Körnung	Papel de lija, 120 grit	Carta abrasiva, 120 grani abrasivi	Schuurpapier, 120 korrel	Papel de lixa, 120 grit



Čeština	Magyar	Română	Latviski	Lietuviškai	Eesti
Náhradní díly	Cserealkatrészek	Piese de schimb	Rezerves daļas	Atsarginis detaļas	Asendusosad
Adaptér	Adapter	Adaptor	Adapteris	Adapteris	Adapter
28 mm zanořovací řezný kotouč	28 mm Szűrővágó fűrészlap	Lamă pentru tăiere plonjată/decupare 28 mm	28 mm iegremdējamais asmens	28 mm stumiamojo pjovimo geležtė	28 mm avalõiketera
88 mm ořezávací pilový kotouč na dřevo a kov	88 mm Sikba vágó fűrészlap	Lamă pentru tăieri de nivelare 88 mm	88 mm nogriešanas asmens	88 mm pjovimo vienu lygiu geležtė	88 mm tasalõiketera
Brusná plocha	Csiszolótalp	Talpă	Slīpēšanas pamatne	Šlifavimo padas	Lihvtaldmik
Smirkový papír zrnitosti 60	Csiszolópapír, 60-as	Șmirghel, granulație 60	Smiļšpapīrs, 60 raupjuma	Švitrinis popierius, 60 rupumo smėlis	Lihvpaber tera suurusega 60
Smirkový papír zrnitosti 80	Csiszolópapír, 80-as	Șmirghel, granulație 80	Smiļšpapīrs, 80 raupjuma	Švitrinis popierius, 80 rupumo smėlis	Lihvpaber tera suurusega 80
Smirkový papír zrnitosti 120	Csiszolópapír, 120-as	Șmirghel, granulație 120	Smiļšpapīrs, 120 raupjuma	Švitrinis popierius, 120 rupumo smėlis	Lihvpaber tera suurusega 120





Dansk	Svenska	Suomi	Norsk	Русский	Polski	
Reserve dele	Utbytesdelar	Varaosat	Reservedeler	Запасные части	Części zamienne	
Adapter	Adapter	Sovitin	Adapter	Адаптер	Adapter	5131040771
28 mm lommensnitklinge	28 mm sågblad	28 mm:n upotusleikkausterä	28 mm Blad for dykkutt	Погружное пильное полотно 28 мм	28 mm Ostrze do cięcia wgłębnego	RAK15MT
88 mm udglatningsklinge	88 mm sågblad	88 mm:n tasasaumaterä	88 mm Blad for skjult saging	Пильное полотно для резки заподлицо 88 мм	88 mm Ostrze do cięcia brzegowego	RAK15MT
Bundplade	Fot	Luistin	Såle	Лодовша	Лодовша	5131040772
Silbepapir, 60 korn	Sandpapper, 60 grovlek	Hiomapaperi, karkeus 60	Sandpapir, 60 grit	Наждачная бумага, зернистость 60	Papier ścierny, granulacja 60	RAK15MT
Silbepapir, 80 korn	Sandpapper, 80 grovlek	Hiomapaperi, karkeus 80	Sandpapir, 80 grit	Наждачная бумага, зернистость 80	Papier ścierny, granulacja 80	RAK15MT
Silbepapir, 120 korn	Sandpapper, 120 grovlek	Hiomapaperi, karkeus 120	Sandpapir, 120 grit	Наждачная бумага, зернистость 120	Papier ścierny, granulacja 120	RAK15MT



Hrvatski	Slovenščina	Slovenčina	България	українська мова	Türkçe	Ελληνικά	
Zamjena dijelova	Nadomestni deli	Náhradné diely	Резервни части	Запасні частини	Yedek parçalar	Ανταλλακτικά	
Adapter	Adapter	Adaptér	Адаптер	Адаптер	Adaptör	Ανάπτορας	5131040771
Oštrica za prividni rez 28 mm	28 mm potopno rezilo	28 mm ostriе na zapichovacie rezy	28-мм острие за обработване чрез врязване	28 мм Полотно для врязання	28 mm Saplamalı Kesme Bıçağı	Λεπίδα κοπής βύθισης 28 mm	RAK15MT
Oštrica za ravni rez 88 mm	88 mm prebodno rezilo	88 mm ostriе na úrovňové rezy	88-мм острие за рязане наравно	88 мм Полотно для прямого зрізу	88 mm Kenar Kesme Bıçağı	Λεπίδα ευθείας κοπής 88 mm	RAK15MT
Brusna ploča	Brusna podloga	Brusna podložka	Шлифовъчна подложка	Шліфувальна насадка	Paten	Πέλμα	5131040772
Brusni papir, 60 gradacije	Brusni papir, zrnatost 60	Brusný papier, zrna 60	Шкурка, зърнистост 60	Шліфувальний папір, зернистість 60	Zımpara kağıdı, 60 taneçikli	Γυαλόχαρτο, 60 grit	RAK15MT
Brusni papir, 80 gradacije	Brusni papir, zrnatost 80	Brusný papier, zrna 80	Шкурка, зърнистост 80	Шліфувальний папір, зернистість 80	Zımpara kağıdı, 80 taneçikli	Γυαλόχαρτο, 80 grit	RAK15MT
Brusni papir, 120 gradacije	Brusni papir, zrnatost 120	Brusný papier, zrna 120	Шкурка, зърнистост 120	Шліфувальний папір, зернистість 120	Zımpara kağıdı, 120 taneçikli	Γυαλόχαρτο, 120 grit	RAK15MT



EN**⚠ WARNING**

The declared vibration total values and the declared noise emission values given in this instruction manual have been measured in accordance with a standardised test and may be used to compare one tool with another. They may be used for a preliminary assessment of exposure.

The declared vibration and noise emission values represent the main applications of the tool. However, if the tool is used for different applications, used with different accessories, or poorly maintained, the vibration and noise emission may differ. These conditions may significantly increase the exposure levels over the total working period. An estimation of the level of exposure to vibration and noise should take into account the times when the tool is turned off or when it is running idle. These conditions may significantly reduce the exposure level over the total working period.

Identify additional safety measures to protect the operator from the effects of vibration and noise, such as maintaining the tool and the accessories, keeping the hands warm (in case of vibration), and organising work patterns.

FR**⚠ AVERTISSEMENT**

Le niveau total de vibrations et le niveau total d'émissions sonores déclarés indiqués dans ce manuel d'instruction ont été mesurés selon une méthode de test normalisée et peut servir de référence pour comparer les outils entre eux. Ils peuvent servir d'évaluation préliminaire à l'exposition.

Les niveaux d'émissions sonores et de vibrations déclarés représentent les principales applications de l'outil. Toutefois, si l'outil est utilisé pour des applications différentes ou des accessoires différents, ou s'il est mal entretenu, les vibrations émises peuvent varier. Ces facteurs pourraient augmenter considérablement les niveaux d'exposition sur la durée totale d'utilisation. Une estimation du niveau d'exposition aux vibrations et du bruit doit aussi prendre en compte les périodes durant lesquelles l'outil est éteint ou lorsqu'il fonctionne à vide. Ces facteurs pourraient réduire considérablement le niveau d'exposition sur la durée totale d'utilisation.

Identifiez toute mesure de sécurité supplémentaire à observer pour protéger l'opérateur des effets des vibrations et du bruit, comme l'entretien de l'outil et des accessoires, le maintien au chaud des mains (en cas de vibrations), et l'élaboration de schémas de pulvérisation.

DE**⚠ WARNUNG**

Die in dieser Anleitung deklarierten Gesamtwerte der Schwingungsemission und die deklarierten Werte der Geräuschemission wurden gemäß einer standardisierten Testmethode gemessen und können verwendet werden, um Werkzeuge miteinander zu vergleichen. Sie können für eine vorläufige Beurteilung der Belastung verwendet werden.

Die deklarierten Werte für Schwingungs- und Geräuschemission treffen auf die Hauptanwendung des Werkzeugs zu. Wenn jedoch das Werkzeug für verschiedene Anwendungen oder mit unterschiedlichem Zubehör genutzt wird oder schlecht gewartet ist, kann die Schwingungs- und Geräuschemission variieren. Diese Bedingungen können das Belastungsniveau über die gesamte Arbeitszeit deutlich steigern. Eine Schätzung der Schwingungsbelastung sollte auch die Zeiten berücksichtigen, in denen das Werkzeug ausgeschaltet ist oder im Leerlauf läuft. Diese Bedingungen können das Belastungsniveau über die gesamte Arbeitszeit deutlich reduzieren.

Legen Sie zusätzliche Sicherheitsmaßnahmen fest, um den Bediener vor den Auswirkungen von Schwingung und Geräuschen zu schützen, z. B. Warten des Geräts und der Zuhörteile, Warmhalten der Hände (bei Schwingung) und Organisieren der Tätigkeit.

ES**⚠ ADVERTENCIA**

Los valores totales de emisión de vibración declarados y los valores de emisiones de ruido declarados que se indican en este manual de instrucciones se han calculado según lo establecido en una prueba estandarizada y se pueden utilizar para comparar una herramienta con otra. Se pueden utilizar para una evaluación preliminar de exposición.

Los valores declarados de emisión de vibración y ruido representan las aplicaciones principales de la herramienta. No obstante, si la herramienta se utiliza para diferentes aplicaciones, con distintos accesorios o con un mantenimiento deficiente, la emisión de vibración y ruido podría diferir. Estas condiciones podrían aumentar significativamente los niveles de exposición sobre el período de funcionamiento total. Una estimación del nivel de exposición a la vibración y el ruido debería también tenerse en cuenta cuando la herramienta está apagada o cuando funciona a baja intensidad. Estas condiciones podrían reducir significativamente el nivel de exposición sobre el período de funcionamiento total.

Identifique cualquier medida de protección adicional para proteger al operario de los efectos de la vibración y el ruido, como el mantenimiento de la herramienta y los accesorios, mantener las manos calientes (en caso de vibración) y la organización de los patrones de trabajo.

IT**⚠ AVVERTENZA**

Il livello di emissioni di vibrazioni riportato in questa scheda informativa è stato misurato con un metodo di prova standardizzato ed è utilizzabile per confrontare gli utensili fra

di loro. Questi possono essere usati per una valutazione preliminare dell'esposizione.

I valori di emissione di rumori e vibrazioni rappresentano le principali applicazioni dello strumento. Tuttavia, se l'utensile viene utilizzato in applicazioni differenti, con differenti accessori o con scarsa manutenzione, l'emissione di vibrazioni e rumori può essere diversa. Queste condizioni possono significativamente aumentare il livello di esposizione nel periodo di lavoro totale. Una stima del livello di esposizione alle vibrazioni e ai rumori va presa in considerazione anche quando l'utensile viene spento oppure è in funzione a folle. Queste condizioni possono significativamente ridurre il livello di esposizione nel periodo di lavoro totale.

Identificare le misure di sicurezza aggiuntive per proteggere l'operatore dagli effetti di vibrazioni e rumori, come la manutenzione di strumento e accessori, mantenendo le mani calde (in caso di vibrazione) e le modalità di lavoro.

NL**⚠ WAARSCHUWING**

Het gespecificeerde totale trillingswaarden en geluidsemissiewaarden in deze instructiehandleiding zijn gemeten overeenkomstig een gestandaardiseerde test en kunnen worden gebruikt om gereedschappen met elkaar te vergelijken. Ze kunnen worden gebruikt voor een voorafgaande beoordeling van blootstelling.

De gespecificeerde trillings- en geluidsemissiewaarden vertegenwoordigen de belangrijkste toepassingen van het gereedschap. Als het gereedschap echter voor andere toepassingen of met andere accessoires wordt gebruikt slecht wordt onderhouden, kunnen de trillings- en geluidsemissiewaarden afwijken. Deze omstandigheden kunnen het blootstellingsniveau over de gehele gebruikperiode aanzienlijk verhogen. Een schatting van het niveau van blootstelling aan trillingen en geluid dient ook rekening te houden met de perioden dat het gereedschap is uitgeschakeld of is ingeschakeld maar niet wordt gebruikt. Deze omstandigheden kunnen de blootstellingsniveaus over de gehele gebruikperiode aanzienlijk verhogen.

Stel aanvullende veiligheidsmaatregelen vast om de gebruiker te beschermen tegen de effecten van trillingen en geluid, zoals onderhoud van het gereedschap en de accessoires, het warm houden van de handen (in geval van trillingen) en het organiseren van werkpatronen.

PT**⚠ AVISO**

Os valores de vibração totais declarados e o nível de emissão de ruído dado nesta ficha de informações foi medido de acordo com um teste normalizado e pode ser utilizado para fazer comparações entre ferramentas. Podem ser utilizados para uma avaliação preliminar da exposição.

O nível declarado de emissão de vibrações e ruído representa as aplicações principais da ferramenta. Contudo, se a ferramenta for utilizada para várias aplicações, com diferentes acessórios ou se receber manutenção insuficiente, a emissão de vibrações e ruído pode ser diferente. Estas condições podem aumentar significativamente o nível de exposição ao longo do período total de trabalho. Uma estimativa do nível de exposição às vibrações e ruído deverá também levar em conta os tempos que a ferramenta está desligada ou que está a funcionar mas sem estar a ser utilizada para trabalho. Estas condições podem reduzir significativamente o nível de exposição ao longo do período total de trabalho.

Identifique medidas de segurança adicionais para proteger o operador dos efeitos da vibração e ruído, tal como a manutenção da ferramenta e dos acessórios, manter as mãos quentes (em caso de vibração) e organizar padrões de trabalho.

DA**⚠ ADVARSEL**

Vibrations- og støjemissionsværdierne, der er angivet i denne vejledning er målt i overensstemmelse med en standardiseret test og kan bruges til at sammenligne et værktøj med et andet. De kan bruges til en foreløbig vurdering af udsættelse.

De angivne vibrations- og støjemissionsværdier repræsenterer værktøjets hovedanvendelser. Hvis værktøjet imidlertid anvendes til andre formål med forskellig tilbehør eller er dårligt vedligeholdt, kan vibrations- og lydmissionen afvige. Disse forhold kan i væsentlig grad forøge udsættelsesniveauerne over den samlede arbejdsperiode. Et overslag over udsættelsesniveauet for vibrationer og støj bør også tage højde for de gange, hvor værktøjet er slukket, eller når det kører i tomgang. Disse forhold kan i betragteligt omfang reducere udsættelsesniveauet over den samlede arbejdsperiode.

Find yderligere sikkerhedsforanstaltninger, der kan beskytte operatøren mod virkningerne af vibrationer og støj, såsom vedligeholdelse af værktøjet og tilbehøret, holde hænderne varme (i tilfælde af vibrationer) og organisering af arbejdsmønstre.

SV**⚠ VARNING**

De angivna totala vibrations- och bulleremissionsvärdena som anges i denna instruktionsmanual har uppmåtts i enlighet med ett standardiserat test och kan användas för att jämföra olika verktyg. De kan användas för en preliminär bedömning av exponering.

De angivna vibrations- och bulleremissionsvärdena representerar verktygets huvudsakliga användningsområden. Om verktyget emellertid används i andra tillämpningar, med andra tillbehör eller underhålls bristfälligt, kan vibrationer och bulleremission skilja sig från de angivna. Dessa förhållanden kan öka

exponeringsnivåerna under den totala arbetsperioden avsevärt. En uppskattning av exponeringsnivån för vibrationer och buller bör även ta med i beräkningen de tider då verktyget är avstängt eller när det är igång men inte används i arbete. Dessa förhållanden kan minska exponeringsnivån under den totala arbetsperioden avsevärt.

Identifiera ytterligare säkerhetsåtgärder för att skydda operatören från effekterna av vibrationer och buller, såsom att underhålla verktyget och tillbehören, hålla händerna varma (i händelse av vibrationer) och organisera arbetsmönster.

FI

VAROITUS

Tässä ohjekäsikirjassa tärinälle annettu kokonaisarvo ja ilmoitettu melupäästöarvo on mitattu standardoidun kokeen mukaisesti, ja niitä voidaan käyttää työkalujen vertaamiseen toisiinsa. Niitä voidaan käyttää altistumisen alustavaan arvioimiseen.

Ilmoitetut tärinä- ja melupäästöarvot koskevat työkalun pääkäyttötarkoituksia. Tärinäpäästö voi kuitenkin vaihdella, jos työkalua käytetään eri käyttötarkoituksiin, eri tarvikkeilla tai huonosti huollettuna. Mainitut olosuhteet saattavat nostaa altistumistasoa huomattavasti kokonaistyöajaksi aikana. Tärinän ja melun altistumistasoa arviointi tulisi ottaa huomioon myös silloin, kun työkalu on kytketty pois päältä tai kun se on käynnissä, mutta sitä ei varsinaisesti käytetä. Mainitut olosuhteet saattavat vähentää huomattavasti altistumistasoa kokonaistyöajaksi aikana.

Lisäturvatoimenpiteillä, kuten työkalun ja lisävarusteiden huoltamisella, käsiin lämpimään pitämällä (tärinän tapauksessa) ja työmallien järjestämisellä, voit suojella käyttäjä tärinältä ja melulta.

NO

ADVARSEL

De erklarte totale vibrasjonsverdiene og de erklarte støytstøttsverdiene gitt i denne brukerhåndboken har blitt målt i samsvar med en standardisert test og kan brukes til å sammenligne ett verktøy med ett annet. De kan brukes for en preliminær vurdering av eksponering.

De opplyste vibrasjons- og støytstøttsverdiene representerer verktøyets hovedbruksområder. Men hvis verktøyet brukes til ulike bruksområder, brukes med ulike tilbehør eller vedlikeholdet er dårlig, kan vibrasjons- og støytstøtt være forskjellig. Disse forholdene kan øke eksponeringsnivået betraktelig i løpet av hele arbeidsperioden. En vurdering av eksponeringsnivået for vibration og støy skal ta hensyn til de gangene verktøyet er slått av eller går på tomgang. Disse forholdene kan betydelig redusere eksponeringsnivået over den totale arbeidsperioden.

Identifiser ytterligere sikkerhets tiltak for å beskytte operatøren mot virkningen av vibrasjon og støy, slik som å vedlikeholde verktøyet og tilbehøret, holde hendene varme (i tilfelle vibrasjon) eller organisere arbeidsmønstre.

RU

ОСТОРОЖНО

Заявленные данные о совокупном уровне вибрационного и шумового воздействия, указанные в настоящем руководстве, получены в ходе стандартизированных исследований и могут использоваться для сравнения инструментов. Могут применяться в рамках предварительной оценки степени воздействия.

Заявленный уровень вибрационного и шумового воздействия учитывает основные области применения инструмента. При этом, если инструмент используется иным образом, с другим оборудованием либо некачественно обслуживается, степень вибрационного и шумового воздействия может отличаться. В рамках всего периода эксплуатации эти условия могут способствовать значительному повышению уровня воздействия. Расчет уровня вибрационного и шумового воздействия должен также проводиться с учетом количества выключений инструмента и продолжительности работы на холостом ходу. В рамках всего периода эксплуатации эти условия могут способствовать значительному снижению уровня воздействия.

Обеспечьте дополнительные меры защиты оператора от воздействия вибрации и шума, например, техническое обслуживание инструмента и принадлежностей, поддержания температуры рук (в случае вибрации) и организации графика работ.

PL

OSTRZEŻENIE

Podany w niniejszej instrukcji łączny poziom emisji vibracji zmierzony zgodnie ze znormalizowaną metodą testowania — może on być wykorzystywany do wzajemnego porównywania narzędzi. Można go wykorzystywać do wstępnej oceny narażenia.

Deklarowany poziom emisji vibracji i hałasu odpowiada głównym zastosowaniom narzędzia. Jeżeli jednak narzędzie będzie używane do innych zastosowań lub z innymi akcesoriami, bądź też jeśli będzie niewłaściwie konserwowane, poziom emisji vibracji i hałasu może się różnić. Warunki takie mogą doprowadzić do znaczącego wzrostu poziomu narażenia w całym okresie eksploatacji. Oszacowanie poziomu narażenia na vibrację i hałas powinno również uwzględniać okresy, w których narzędzie jest wyłączone bądź działa, ale nie jest wykorzystywane do pracy. Warunki takie mogą doprowadzić do znaczącego ograniczenia poziomu narażenia w całym okresie eksploatacji.

Należy zidentyfikować dodatkowe środki bezpieczeństwa mające na celu ochronę operatora przed skutkami vibracji i hałasu, takie jak konserwacja narzędzia i akcesoriów, utrzymywanie ciepła dłoni (w przypadku vibracji) oraz organizacja pracy.

CS

VAROVÁNÍ

Deklarované celkové hodnoty vibrací a deklarované hodnoty hlukušnosti uvedené v tomto návodu byly změněny standardizovanou zkoušební metodou a mohou být použity k porovnání jednoho mihovače s druhým. Mohou být použity k předběžnému posouzení vystavení vibracím a hluku.

Deklarované hodnoty vibrací a hlukušnosti jsou vymezeny hlavními způsoby použití tohoto mihovače. Pokud je však mihovač použit jiným způsobem, s jiným příslušenstvím nebo při nedostatečné údržbě, úrovně vibrací a hluku se mohou lišit. Tyto podmínky mohou podstatně zvýšit úrovně vystavení vibracím a hluku za pracovní dobu. Při ohodu úrovně vystavení vibracím a hluku je nutné vzít v úvahu také dobu, kdy je mihovač vypnutý nebo běží naprázdno. Tyto podmínky mohou podstatně snížit úroveň vystavení vibracím a hluku za celou pracovní dobu.

K ochraně obsluhy před účinky vibrací a hluku určete další bezpečnostní opatření, například provádění údržby mihovače a příslušenství, udržování rukou v teple (v případě vibrací) a organizování pracovních cyklů.

HU

FIGYELMEZTETÉS

A jelen használati kézikönyvben közölt rezgés- és zajkibocsátási értékeket szabványosított vizsgálat segítségével mértük, amelynek segítségével az eszközök egymással összehasonlíthatók. Ezek alkalmazhatóak a kitettség előzetes felmérésére is.

A megadott rezgés- és zajkibocsátási szint az eszköz fő alkalmazásait jelöli. Azonban ha az eszköz nem megfelelően tartják karban, különböző alkalmazásokra vagy eltérő tartozékokkal használják, akkor a rezgés- és zajkibocsátás változhat. Ezek a beavatkozások jelentősen növelhetik a kitettség szintet a teljes működési időtartam során. A rezgésnek és zajnak való kitettség szintjét becsülni értéket akkor is figyelembe kell venni, amikor az eszköz ki van kapcsolva, vagy amikor csak tétlenül jár. Ezek jelentősen csökkenthetik a kitettség szintet a teljes működési időtartam során.

A kezelő rezgés- és zajártalom elleni védelemhez tegyen meg további biztonsági intézkedéseket, mint pl. az eszköz és alkatrészei karbantartása, a kéz melegen tartása (rezgés esetén) és a munkavégzési folyamat megszervezése.

RO

AVERTISMENT

Nivelul total al vibrațiilor și valorile emisiilor de zgomot declarate în acest manual cu instrucțiuni au fost măsurate în conformitate cu o metodă de testare standardizată și pot fi utile pentru compararea uneltelor între ele. Acestea pot fi utilizate pentru evaluarea preliminară a expunerii.

Valorile emisiilor de vibrație și de zgomot declarate sunt relevante pentru domeniul de utilizare al acesteia unelte. Totuși, dacă unealta este utilizată în alte scopuri, cu alte accesorii sau este întreținută necorespunzător, nivelul vibrațiilor și al zgomotului poate fi diferit. În acest caz, nivelul de expunere total, pe parcursul întregii perioade de lucru, poate crește. O estimare a nivelului de expunere la vibrații și zgomot trebuie să țină cont și de numărul de porniri-opriri, precum și de perioadă în care unealta este oprită sau funcționează în gol. În acest caz, nivelul de expunere total, pe parcursul întregii perioade de lucru, poate fi mai mic.

Identificați măsuri de protecție suplimentare pentru protecția operatorului contra efectelor vibrațiilor și zgomotului, precum întreținerea uneltei și a accesoriilor, menținerea mâinilor calde (în caz de vibrație) și organizarea de perioade de lucru.

LV

BRĪDINĀJUMS

Deklarētie kopējie vibrāciju līmeņi un deklarētie trokšņu izstarošanas līmeņi, kas norādīti šajā instrukcijā ir mērīti saskaņā ar standartizētiem testiem, un var tikt izmantoti viena instrumenta salīdzināšanai ar citu. Tos var izmantot sākotnējai ietekmes novērtēšanai.

Deklarētās vibrāciju un trokšņu veidošanās vērtības atspoguļots galvenajam instrumenta pielietojumam. Tomēr, ja instruments tiek izmantots citam pielietojumam, izmantots ar citiem aksesoriem, vai netiek pienācīgi kopms, vibrāciju un trokšņu līmeņi var atšķirties. Šie apstākļi var būtiski palielināt ietekmes līmeni visā darba laikā. Vibrāciju un trokšņu iedarbības līmeņa noteikšanai jāņem vērā arī laika posmi, kad instruments ir izslēgts, vai arī darbojas tukšgaitā. Šie apstākļi var būtiski samazināt ietekmes līmeni visā darba laikā.

Nosakiet papildu drošības pasākumus, lai aizsargātu lietotāju no vibrācijas un trokšņu ietekmes, piemēram, veicot instrumenta un aprīkojuma apkopes, roku uzturēšana siltumā (vibrāciju gadījumā), vai organizējot darba grafiku.

LT

ĮSPĖJIMAS

Šioje naudojimo instrukcijoje nurodytos keilamos vibracijos vertės nustatytos atsižvelgiant į standartinį bandymo metodą, todėl jas galima palyginti su kitų elektrinių įrankių keilama vibracija. Jos taip pat gali būti naudojamos preliminariam vibracijos poveikiui įvertinti.

Deklaruojamos vibracijos ir sklaidžiama triukšmo vertės atspindi pagrindinius įrenginio taikymo būdus. Tačiau, jei šiuo įrenginiu atliekami kiti darbai, naudojant kitus priedus arba prastai prižiūrinami priedus, keilamos vibracijos ir triukšmo vertės gali skirtis. Šiomis sąlygomis gali žymiai padidėti vibracijos poveikio lygiai per visą darbo laiką. Vertinant vibracijos ir triukšmo poveikio lygį per tam tikrą darbo laikotarpį, reikia atsižvelgti ne tik į laiką, kai įrenginys veikia, bet ir į tą laiką, kai įrenginys yra išjungtas, ir į laiką, kai jis veikia

tuščija eiga be apkrovos. Šioms sąlygomis gali žymiai sumažėti vibracijos poveikio lygis per visą darbo laiką.

Nustatykite papildomas saugos priemones, skirtas operatoriui apsaugoti nuo vibracijos ir triukšmo poveikio, pvz., techniški prižiūrėtoje įrenginį ir priedus, laikykite rankas šiltai (vibracijos atveju) ir organizuokite darbo pamainas.

ET

⚠️ HOIATUS

Kaesolevas juhendis toodud vibratsioonitase ja deklareeritud müraemissiooni väärtused on mõõdetud standardmeetodi järgi ja seda saab kasutada tööriistade omavaheliseks võrdlemiseks. Neid võib kasutada ka emissiooni esialgseks hindamiseks.

Deklareeritud vibratsiooni ja müraemissiooni väärtused kehtivad tööriista peamistele rakendustele. Kui aga tööriista kasutatakse muudeks töödeks, rakendatakse teisi tarvikuid või kui tööriista hooldus pole piisav, võib vibratsiooni ja müraemissiooni tase kõhkuda. Need tingimused võivad emissiooni tööperioodi jooksul tunduvalt suurendada. Vibratsiooni ja müraemissiooni täpseks hindamiseks tuleb arvesse võtta ka aega, mil seade on välja lülitatud või sisse lülitatud, kuid tegelikult tööle rakendamata. Need tingimused võivad emissiooni tööperioodi jooksul tunduvalt vähendada.

Tehke kindlaks täiendavad ohutusmeetmed kasutaja kaitsmiseks vibratsiooni ja müra mõju eest: näiteks tööriista ja lisaseadmete hooldamine, käte soojas hoidmine (vibratsiooni korral) ja töökorraldus.

HR

⚠️ UPOZORENJE

Deklarirane ukupne vrijednosti vibracija i deklarirane emisije buke navedene u ovom priručniku s uputama izmjerene su u skladu sa standardiziranim ispitnim metodom i mogu se koristiti za usporedbu jednog alata s drugim. Moguće ih je upotrijebiti za preliminarnu procjenu izlaganja.

Deklarirane vrijednosti razine emisije vibracija i buke predstavljaju glavne primjene alata. Međutim, ako se alat koristi za druge primjene, koristi s različitim dodacima ili ako se loše održava, emisija vibracija i buke se može razlikovati od navedene vrijednosti. Ti uvjeti mogu uzrokovati značajno povećanje razine izloženosti u ukupnom vremenu rada alatom. Procjena razine izloženosti vibracijama i buci također bi trebala uzeti u obzir i vrijeme u kojem je alat isključen ili radi u praznom hodu. Ti uvjeti mogu uzrokovati značajno smanjenje razine izloženosti u ukupnom vremenu rada alatom.

Utvrđite dodatne sigurnosne mjere za zaštitu rukovatelja od djelovanja vibracija i buke, kao što su održavanje alata i pribora, održavanje topline ruku (u slučaju vibracije) i organiziranje radnog vremena.

SL

⚠️ OPOZORILO

Skupni vrednosti emisij vibracij i emisij hrupa, navedeni v tem priručniku, sta bili izmerjeni v skladu z metodo standardiziranega preskusa in se lahko uporabljata za medsebojno primerjavo orodja. Uporabljajo se lahko za predhodno oceno stopnje izpostavljenosti.

Navedeni vrednosti emisij vibracij in hrupa veljata za glavne namene uporabe orodja. Vendar, če se orodje uporablja v druge namene, z drugačnimi dodatki ali je slabo vzdrževano, sta lahko ravni emisij vibracij in hrupa drugačni. V teh pogojih se lahko stopnja izpostavljenosti v celotnem delovnem obdobju občutno zviša. V očni stopnje izpostavljenosti vibracijam in hrupu je treba upoštevati tudi obdobja, v katerih je orodje ugasnjeno oziroma teče, vendar ni v dejanski uporabi. V teh pogojih se lahko stopnja izpostavljenosti v celotnem delovnem obdobju občutno zniža.

Ugotovite dodatne varnostne ukrepe za zaščito uporabnika pred učinki vibracij in hrupa, kot je vzdrževanje orodja in dodatkov, ohranjanje toplih rok (v primeru vibracij) in organizacija delovnih vzorcev.

SK

⚠️ VAROVANIE

Deklarované celkové hodnoty vibrací a deklarované hodnoty emisii hluku uvedené v tomto návodu na obsluhu bllí merané v súlade so štandardizovanou skúškou a môžu sa použiť na porovnanie jedného náradia s druhým. Môžu sa použiť na predbežné posúdenie expozície.

Deklarované hodnoty vibrácií a emisii hluku sú pre hlavné použitia náradia. No ak sa náradie používa na iné aplikácie, v spojení s iným príslušenstvom alebo je jeho údržba nepostačujúca, emisie vibrácií a hluku sa môžu líšiť. Tieto podmienky značne zvýšia úroveň expozície počas celkovej pracovnej doby. Odhad úrovne expozície účinkom vibrácií a hluku musí taktiež zohľadniť čas vpru nutia náradia alebo ak beží na volnobeh. Tieto podmienky môžu značne znížiť úroveň expozície počas celkovej pracovnej doby.

Identifikujte ďalšie bezpečnostné opatrenia na ochranu obsluhu pred účinkami vibrácií a hluku, ako je napríklad udržiavanie náradia a príslušenstva, udržiavanie teplých rúk (v prípade vibrácií) a organizácia pracovných postupov.

BG

⚠️ ВНИМАНИЕ

Декларираните общи стойности на излъчените вибрации и на шумовите емисии, посочени в настоящото ръководство, са измерени в съответствие със стандартизиран тестов метод и може да се използват за сравнение на един инструмент с друг. Те може да се използват за предварително оценяване на въздействието.

Декларираните стойности на излъчените вибрации и на шумовите емисии представляват основните приложения на инструмента. Въпреки това, ако инструментът се използва за различни приложения, с различни принадлежности или поддръжката му е некачествена, излъчените вибрации и шумовите емисии могат да се различават. Тези условия може значително да увеличат нивото на

излагане през целия срок на работа. При оценяване на нивото на излагане на вибрации и шум също трябва да се вземе предвид колко пъти инструментът е бил изключен или колко пъти е работил на празен ход. Тези условия може значително да намалят нивото на излагане през целия срок на работа.

Определете допълнителни мерки за предпазване на оператора от ефектите от вибрациите и шума, като например поддръжане на инструмента и аксесоарите, поддръжане на ръцете топли (в случай на вибрации), организация на моделите за работа.

UK

⚠️ ПОПЕРЕДЖЕННЯ

Значения вибрації та шуму, наведені в цьому керівництві, вимірювалися відповідно до стандартизованого методу випробування та можуть бути використані для порівняння одного інструменту з іншим. Ними можна користуватися для попередньої оцінки впливу.

Наведені значення вимірює при стандартній експлуатації виробу. Утім якщо виріб використовується для інших цілей, з іншими додатковими пристосуваннями або ж не проходить належного обслуговування, рівні вібрації та шуму можуть відрізнятись від зазначених. Як наслідок, рівні впливу впродовж загального робочого часу можуть значно збільшитися. При оцінці рівнів впливу вібрації та шуму слід враховувати періоди, коли виріб вимкнений або працює на холостих обертах. Як наслідок, рівні впливу впродовж загального робочого часу можуть значно зменшитися.

Дотримуйтеся додаткових заходів, які можуть захистити оператора від впливу вібрації та шуму: підтримуйте пристрій та додаткові пристосування у належному стані, слідкуйте, щоби руки залишалися теплими (при вібрації), та продумайте графік роботи.

TR

⚠️ UYARI

Bu kullanim kilavuzunda verilen toplam titreşim değerleri ve gürültü emisyonu değerleri standartlaştırılmış bir teste göre ölçülmüştür ve bir alet diğerleriyle karşılaştırılmak için kullanılabılır. Maruz kalmamın önceden değerlendirilmesi için kullanılabılır.

Beyan edilen titreşim ve gürültü emisyonu değerleri aletin ana uygulamalarını temsil eder. Ancak, alet farklı uygulamalar için kullanılıyorsa, farklı aksesuarlarla kullanılıyorsa ve bakımı yapılmıyorsa, titreşim ve gürültü emisyonu değışiklik gösterebilir. Bu koşullar toplam çalışma süresi genelinde maruz kalma düzeylerini önemli oranda artırabilir. Titreşime ve gürültüye maruz kalma seviyesinin tahmininde aletin kapalıdır veya boşta çalıştığı süreler dikkate alınmalıdır. Bu koşullar toplam çalışma süresi boyunca maruz kalma seviyesini önemli oranda azaltabilir.

Kullanılan kişiyi titreşimin ve gürültünün etkilerinden korumak için aletin ve aksesuarların bakımını yapmak, (titreşim halinde) elleri sıcak tutmak ve çalışma modelleri organize etmek gibi ilave güvenlik önlemlerini tanımlayın.

EL

⚠️ ΠΡΟΕΙΔΟΠΟΙΗΣΗ

Η δηλωθείσα τιμή συνολικών κραδασμών και η δηλωθείσα τιμή εκπομπής θορύβου, οι οποίες αναγράφονται στο παρόν εγχειρίδιο, έχουν μετρηθεί σύμφωνα με τυποποιημένη δοκιμή και μπορεί να χρησιμοποιηθεί για συγκρίσεις εργαλείων. Μπορούν να χρησιμοποιηθούν για προκαταρκτική αξιολόγηση της έκθεσης.

Οι δηλωθείσες τιμές κραδασμών και εκπομπών θορύβου αφορούν ισχύουν για τις κύριες εφαρμογές του εργαλείου. Ωστόσο, εάν το εργαλείο χρησιμοποιηθεί για διαφορετικές εφαρμογές, με διαφορετικά εξαρτήματα ή δεν συντηρηθεί σωστά, οι τιμές κραδασμών και εκπομπών θορύβου μπορεί να διαφοροποιηθούν. Οι προϋποθέσεις αυτές μπορεί να αυξήσουν σημαντικά τα επίπεδα έκθεσης κατά τη διάρκεια της συνολικής περιόδου εργασίας. Θα πρέπει να ληφθεί υπόψη μια εκτίμηση της έκθεσης σε κραδασμούς και θόρυβο όταν το εργαλείο είναι απενεργοποιημένο ή όταν μεταβαίνει σε αδράνεια. Οι συνθήκες αυτές μπορεί να μειώσουν σημαντικά τα επίπεδα έκθεσης κατά τη διάρκεια της συνολικής περιόδου εργασίας.

Προσδιορίστε πρόσθετα μέτρα ασφαλείας για την προστασία του χειριστή από τις επιπτώσεις των κραδασμών και του θορύβου, όπως συντήρηση του εργαλείου και των εξαρτημάτων, διατήρηση των χεριών ζεστών, (σε περίπτωση κραδασμών) και οργάνωση σχεδίων εργασίας.

EN RYOBI WARRANTY APPLICATION CONDITIONS

In addition to any statutory rights arising from the purchase of a product and without prejudice on the statutory rights which apply independently and free of charge, all new RYOBI branded power tools and/or garden tools listed on our website, excluding tool accessories, tool storage systems, and spare parts, as further outlined under ("Product"), are covered by a voluntary guarantee issued by Technonic Industries GmbH ("TTI") subject to the terms and conditions as stated below ("Guarantee").

The Guarantee is only applicable to purchaser(s) who purchase the products as end users in their capacity as consumers ("Consumer"). Retailers, rental companies, as well as professional end users are expressly excluded from these general terms and conditions of the Guarantee. For professional end users, a different type of voluntary guarantee may be applicable to certain product(s), if explicitly provided for on the www.ryobitools.eu website. The invocation of this voluntary Guarantee does not limit the statutory legal rights of the Consumer in case of a defect.

1. The standard guarantee ("Standard Guarantee"), provided that the Product is purchased for private use only, has a term of 24 months ("Standard Guarantee Period") and commences on the date the product was purchased. This date must be documented by an invoice or other proof of purchase in order for the Standard Guarantee to be valid and enforceable. This Standard Guarantee also only applies to new Product(s).

2. Consumers in certain countries may be able to extend the Standard Guarantee for eligible Products beyond the period of the Standard Guarantee by registering on the www.ryobitools.eu website. The eligibility of Products for the extended guarantee ("Extended Guarantee") is specified on the packaging of a Product, on the website at www.ryobitools.eu, and/or is contained within the relevant Product documentation under <https://www.ryobitools.eu>. In order to benefit from the Extended Guarantee, Consumers are required to register their Product(s) online within 30 calendar days from the date of purchase to benefit from this Extended Guarantee. All personal information of a Consumer will be processed in accordance with the privacy statement, which can be found here <https://uk.ryobitools.eu/footer-links/privacy-policy/>. The registration confirmation receipt, which is sent out by e-mail, and the original invoice showing the date of purchase will serve as proof of the Extended Guarantee.

3. The Standard Guarantee and the Extended Guarantee ("Guarantees") are limited to repair and/or replacement of the defective Product at the discretion of TTI provided that the defect in workmanship or material existed at the date of purchase. No further costs or losses can be claimed. In addition, the Guarantees do not apply to:

- any damage caused accidentally, willfully, or negligently by the Consumer
- any damage to the Product that is the result of improper treatment or lack of maintenance
- any Product that has been altered or modified
- any Product where original identification (trade mark, serial number) markings have been defaced, altered or removed
- any damage caused by non-observance of the instruction manual
- Products, which are not subject to a CE/UKCA marking
- any Product that has been attempted to be repaired by a non-authorised service centre or without prior authorisation by TTI
- any Product connected to improper power supply (amps, voltage, frequency)
- any Product used with inappropriate fuel mixture (fuel, oil, ratio of oil)
- any damage caused by external influences (water, chemical, physical, shocks) or foreign substances
- normal wear and tear of spare parts
- inappropriate use, overloading of the Product(s)
- use of non-approved accessories or parts
- power tool accessories provided with the tool or purchased separately. Such exclusions including but not limited to screw driver bits, drill bits, abrasive discs, sand paper and blades, lateral guide
- components (parts and accessories) which are subject to normal wear and tear, including but not limited to service and maintenance kits, carbon brushes, bearings, clutch, SDS drill bit attachment or reception, power cord, auxiliary handle, transport carry case, sanding plate, dust bag, dust exhaust tube, felt washers, impact wrench pins and springs, bump knobs, drive belts, clutch, blades of hedge trimmers or lawnmowers, handle, cable throttle, lines, felt washers, hitch pins, blower fans, blower and vacuum tubes, vacuum bag and straps, guide bars, saw chains, hoses, connector fittings, spray nozzles, wheels, spray wands, inner reels, outer spools, cutting lines, spark plugs, air filters, gas filters, mulching blades, etc.

4. For guarantee servicing, the Product(s) must be sent or presented without undue delay after occurrence or recognition of the defect in workmanship or material to an authorised RYOBI service partner listed on the following website <https://www.ryobitools.eu/>. Consumers can obtain the services under the Guarantees from a RYOBI service partner by

- a. contacting the retailer where the purchase was made; or
- b. registering via the service platform available on the RYOBI Commercial webpage <https://www.ryobitools.eu/>, the availability of the process might vary from country to country.

When sending a Product to an authorised RYOBI service partner, the Product shall be safely packaged without hazardous contents (for details, please see the safety instructions on the website at <https://www.ryobitools.eu/>), marked with sender's address and accompanied by a short description of the defect. Please note that in some countries delivery charges or postage will have to be paid by the sender according to local practice. Please consult your local authorised RYOBI service centre to confirm whether such charges apply.

5. Upon receipt of the Product claimed to be defective by the Consumer, it will be inspected. When the defect has been confirmed, the services under the Guarantees will be provided by repairing the defective parts of the products or replacing them by non-defective parts at TTI's discretion. If TTI refuses to repair the defect or if at TTI's discretion, the repair has failed, an equivalent replacement will be supplied. The replaced Product(s) or part(s) will become the property of TTI. Any repair/replacement(s) under the Guarantees above are free of charge. The repair/replacement(s) conducted by TTI do not constitute an extension or a new start of the Guarantees. The replaced spare parts are subject to the Guarantees originally given and the period for the Guarantees will end with period for the Guarantee that was originally given for the entire product.

6. The RYOBI Guarantees are granted by Technonic Industries GmbH, Max-Eyth-Str.10, 71364 Winnenden, Germany, only to the Consumer that originally purchased the Product and may not be transferred or assigned.

7. The Guarantees are valid in the European Economic Area (EEA), Switzerland, and the United Kingdom. Outside these areas, please contact the retailer where the purchase was made to find out if another voluntary guarantee applies.

AUTHORISED SERVICE CENTRE

Any request or issue with the product can be addressed to your local authorised service centres (visit www.ryobitools.eu/) or directly to: Technonic Industries GmbH, Max Eyth Straße 10, 71364 Winnenden, Germany. Please state the serial number and product type printed on the label.

FR CONDITIONS D'APPLICATION DE LA GARANTIE RYOBI

Outre les droits statutaires découlant de l'achat d'un produit et sans préjudice des droits statutaires qui s'appliquent indépendamment et gratuitement, tous les nouveaux outils électriques et/ou outils de jardin de marque RYOBI répertoriés sur notre site Web, à l'exclusion des accessoires pour outils, des systèmes de rangement pour outils et des pièces de rechange, comme décrit ci-dessous (« Produit »), sont couverts par une garantie volontaire émise par Technonic Industries GmbH (« TTI ») sous réserve des conditions générales mentionnées ci-dessous (« Garantie »).

La Garantie ne s'applique qu'aux acheteurs qui achètent les produits en tant qu'utilisateurs finaux et à leur qualité de consommateurs (« Consommateur »). Les détaillants, les sociétés de location ainsi que les utilisateurs finaux professionnels sont expressément exclus des présentes conditions générales de la Garantie. Pour les utilisateurs finaux professionnels, un autre type de garantie volontaire peut être applicable à certains produits, si cela est expressément indiqué sur le site Web www.ryobitools.eu/. Le recours à cette Garantie volontaire ne limite pas les droits légaux du Consommateur en cas de défaut.

1. La garantie standard (« Garantie standard »), à condition que le produit soit acheté pour un usage privé uniquement, couvre une période de 24 mois (« Période de garantie standard ») et commence à la date d'achat du produit. Cette date doit être attestée par une facture ou une autre preuve d'achat pour que la Garantie standard soit valide et applicable. Cette Garantie standard s'applique également uniquement au(x) nouveau(x) produit(s).

2. Les Consommateurs de certains pays peuvent être en mesure de prolonger la Garantie standard pour les Produits éligibles au-delà de la période de la Garantie standard en s'enregistrant sur le site Web www.ryobitools.eu/. L'éligibilité des Produits à la garantie étendue (« Garantie étendue ») est spécifiée sur l'emballage d'un Produit, sur le site Web à l'adresse <https://www.ryobitools.eu/>, et/ou est mentionnée dans la documentation relative au Produit concerné à l'adresse <https://www.ryobitools.eu/>. Pour bénéficier de la Garantie étendue, les Consommateurs sont tenus d'enregistrer leur(s) Produit(s) en ligne dans les 30 jours calendaires suivant la date d'achat. Toutes les informations personnelles d'un Consommateur seront traitées conformément à la déclaration de confidentialité, disponible à l'adresse suivante : <https://uk.ryobitools.eu/footer-links/privacy-policy/>. Le reçu de confirmation de l'enregistrement, envoyé par courrier électronique, et la facture originale indiquant la date d'achat serviront de preuve pour la Garantie étendue.

3. La Garantie standard et la Garantie étendue (« Garanties ») se limitent à la réparation et/ou au remplacement du produit défectueux à la discrétion de TTI, si le défaut de fabrication ou de matériau était présent à la date d'achat. Les frais ou pertes supplémentaires ne peuvent être réclamés. En outre, les Garanties ne s'appliquent pas :

- aux dommages causés accidentellement, volontairement ou par négligence par le Consommateur
- aux dommages causés au Produit en raison d'un mauvais traitement ou d'un manque d'entretien
- aux Produits qui ont été altérés ou modifiés
- aux Produits dont les marquages d'identification d'origine (marque, numéro de série) ont été dégradés, modifiés ou enlevés
- aux dommages causés par le non-respect du manuel d'instructions
- aux Produits qui ne font pas l'objet d'un marquage CE/UKCA
- aux Produits ayant fait l'objet de tentatives de réparation par un centre d'entretien non agréé ou sans l'autorisation préalable de TTI
- aux Produits raccordés à une alimentation électrique inadaptée (ampérage, tension, fréquence)
- aux Produits utilisés avec un mélange de carburants inapproprié (carburant, huile, proportion d'huile)
- aux dommages causés par des influences extérieures (eau, produits chimiques, physiques, chocs) ou des substances étrangères
- à l'usure naturelle des pièces détachées
- à une utilisation inappropriée, à une surcharge ou à des Produits
- à l'utilisation d'accessoires ou de pièces non agréés
- aux accessoires de l'outil électrique fournis avec l'outil ou achetés séparément. Ces exclusions comprennent, mais sans s'y limiter, les embouts de tournevis, les forets, les disques abrasifs, le papier abrasif, les lames, le guide latéral
- les composants (pièces et accessoires) sujets à une usure naturelle, y compris, mais sans s'y limiter, les kits d'entretien et de maintenance, les brosses en carbone, les roulements, le mandrin, le foret ou la réception SDS, le cordon d'alimentation, la poignée auxiliaire, la mallette de transport, la plaque de ponçage, le sac à poussière, le tuyau d'évacuation de poussière, les rondelles en feutre, les gouilles et les ressorts de la clé à choc, les têtes de fil à frapper, les courroies d'entraînement, l'embrayage, les lames de taille-haies ou de tondeuses à gazon, le harnais, le câble d'accélération, les dents, les gouilles d'atelage, les ventilateurs de soufflerie, les tubes de soufflerie et d'aspiration, les sangles et le sac d'aspiration, les barres de guidage, les chaînes de scie, les flexibles, les raccords de connexion, les buses de pulvérisation, les roues, les baguettes de pulvérisation, les bobines intérieures et extérieures, les lignes de coupe, les bougies d'allumage, les filtres à air, les filtres à carburant, les lames de décoquettage, etc.

4. Pour bénéficier de la garantie, le ou les Produits doivent être envoyés ou présentés immédiatement après l'apparition ou la constatation du défaut de fabrication ou de matériau à un partenaire de service RYOBI agréé, dont la liste figure sur le site Web <https://www.ryobitools.eu/>. Les Consommateurs peuvent bénéficier des services prévus par les Garanties auprès d'un partenaire de service de RYOBI

- a. en contactant le détaillant auprès duquel l'achat a été effectué ; ou
- b. en s'inscrivant via la plateforme de service disponible sur la page Web commerciale de RYOBI <https://www.ryobitools.eu/>. La disponibilité peut varier d'un pays à l'autre.

Lors de l'envoi d'un Produit à un partenaire de service RYOBI agréé, le Produit doit être emballé soigneusement et sans contenu dangereux (pour plus de détails, veuillez consulter les instructions de sécurité sur le site Web <https://www.ryobitools.eu/>), comporter l'adresse de l'expéditeur et être accompagné d'une brève description du défaut. Veuillez noter que dans certains pays, les frais de livraison ou d'affranchissement devront être payés par l'expéditeur conformément aux pratiques locales. Veuillez consulter votre centre d'entretien local RYOBI agréé pour savoir si ces frais s'appliquent.

5. Le Produit déclaré défectueux par le Consommateur sera inspecté dès sa réception. Une fois le défaut confirmé, les services prévus par les Garanties seront assurés avec la réparation des pièces défectueuses des produits ou leur remplacement par des pièces non défectueuses, à la discrétion de TTI. Si TTI refuse de réparer le défaut ou si la réparation a échoué, à la discrétion de TTI, un produit de remplacement équivalent sera fourni. Les Produits ou pièces remplacés deviennent alors la propriété de TTI. Les réparations ou remplacements effectués dans le cadre des Garanties susmentionnées sont gratuits. Les réparations/remplacements effectués par TTI ne constituent pas une extension ou une nouvelle entrée en vigueur des Garanties. Les pièces de rechange remplacées sont soumises aux Garanties initialement accordées et la période des Garanties se terminera en même temps que la période de la Garantie initialement accordée pour l'ensemble du produit.

6. Les Garanties RYOBI sont accordées par Technonic Industries GmbH, Max-Eyth-Str.10, 71364 Winnenden, Allemagne, uniquement au Consommateur qui a initialement acheté le Produit et ne peuvent être transférées ou cédées.

7. Les Garanties sont valables dans l'Espace économique européen (EEE), en Suisse et au Royaume-Uni. En dehors de ces zones, veuillez contacter le détaillant auprès duquel l'achat a été effectué pour savoir si une autre garantie volontaire s'applique.

CENTRE D'ENTRETIEN AGRÉÉ

Toute demande ou tout problème concernant le produit peut être transmis à votre centre de réparation agréé local (consultez www.ryobitools.eu/) ou directement à : Technonic Industries GmbH, Max Eyth Straße 10, 71364 Winnenden, Germany. Veuillez mentionner le numéro de série et le type de produit imprimés sur l'étiquette.



DE ANWENDUNGSBEDINGUNGEN DER RYOBI-GARANTIE

Zusätzlich zu den beim Kauf eines Produkts generell bestehenden gesetzlichen Rechten – und unbeschadet dieser gesetzlichen Rechte, die weiterhin unabhängig und kostenfrei bestehen – sind alle auf unserer Website angebotenen neuen Elektrowerkzeuge und/oder Gartengeräte der Marke RYOBI – wie unter („Produkt“) näher ausgeführt und mit Ausnahme von Werkzeugzubehör, Werkzeugaufbewahrungssystemen und Ersatzteilen – durch eine freiwillige Garantie abgedeckt, die von der Technonic Industries GmbH („TTI“) gemäß den unten aufgeführten Bedingungen ausgestellt wird („Garantie“).

Die Garantie gilt nur für Käufer, die die Produkte als Endbenutzer in ihrer Eigenschaft als Verbraucher („Verbraucher“) kaufen werden. Einzelhändler, Vermietungsunternehmen sowie professionelle Endbenutzer sind von diesen allgemeinen Garantiebedingungen ausdrücklich ausgeschlossen. Für professionelle Endbenutzer gilt für bestimmte Produkte u. U. eine andere Art der freiwilligen Garantie, wenn dies ausdrücklich auf der Website www.ryobitools.eu so angegeben ist. Die Anspruchnahme dieser freiwilligen Garantie schränkt die im Falle eines Mangels geltenden allgemeinen gesetzlichen Rechte des Verbrauchers nicht ein.

- Die Standardgarantie („Standardgarantie“) hat – sofern das Produkt nur für den privaten Gebrauch erworben wurde – eine Laufzeit von 24 Monaten („Standardgaranzzeitraum“) und beginnt mit dem Kaufdatum des Produkts. Dieses Datum muss durch eine Rechnung oder einen anderen Kaufbeleg dokumentiert werden, damit die Standardgarantie gültig und durchsetzbar ist. Diese Standardgarantie gilt zudem nur für neue Produkte.
- In einigen Ländern haben Kunden bei bestimmten Produkten die Option, die Standardgarantie über den Standardgaranzzeitraum hinaus zu verlängern, indem sie sich auf der Website www.ryobitools.eu registrieren. Ob für ein Produkt die Option einer erweiterten Garantie („erweiterte Garantie“) besteht, ist auf der Verpackung des jeweiligen Produkts, auf der Website www.ryobitools.eu und/oder in der entsprechenden Produktdokumentation unter <https://www.ryobitools.eu> angegeben. Um von der erweiterten Garantie profitieren zu können, müssen Verbraucher ihre(r) Produkt(e) innerhalb von 30 Kalendertagen ab Kaufdatum online registrieren. Alle personenbezogenen Daten von Verbrauchern werden gemäß der Datenschutzerklärung verarbeitet, die Sie hier finden: <https://uk.ryobitools.eu/footer/links/privacy-policy/>. Der Bestätigungsbefehl für die Registrierung, der per E-Mail versandt wird, und die Originalrechnung mit dem Kaufdatum dienen als Nachweis für die erweiterte Garantie.
- Die Standardgarantie und die erweiterte Garantie („Garantien“) sind auf die Reparatur und/oder den Ersatz des defekten Produkts nach Ermessen von TTI beschränkt, sofern der Defekt in der Verarbeitung oder im Material bereits zum Kaufdatum vorlag. Weitere Kosten oder Verluste können nicht geltend gemacht werden. Darüber hinaus gelten die Garantien nicht für:
 - Schäden, die versehentlich, vorsätzlich oder fahrlässig durch den Verbraucher verursacht wurden
 - Schäden am Produkt, die auf unsachgemäße Behandlung oder mangelnde Wartung zurückzuführen sind
 - Produkte, die verändert oder modifiziert wurden
 - Produkte, bei denen die Originalkennzeichnung (Marke, Seriennummer) unkenntlich gemacht, verändert oder entfernt wurde
 - Schäden, die durch die Nichtbeachtung der Bedienungsanleitung entstanden sind
 - Produkte, die nicht der CE/UKCA-Kennzeichnung unterliegen
 - Produkte, bei denen ein Reparaturversuch durch ein nicht autorisiertes Servicecenter oder ohne vorherige Genehmigung durch TTI durchgeführt wurde
 - Produkte, die an eine falsche Stromversorgung (Ampere, Spannung, Frequenz) angeschlossen wurden
 - Produkte, die mit einem ungeeigneten Kraftstoffgemisch (Kraftstoff, Öl, Ölverhältnis) verwendet wurden
 - Schäden, die durch äußere Einflüsse (Wasser, Chemikalien, physikalische Einflüsse, Stoßeinwirkungen) oder fremde Substanzen verursacht wurden
 - normalen Verschleiß von Ersatzteilen
 - unsachgemäße Verwendung, Überlastung des Produkts/der Produkte
 - Verwendung von nicht zugelassenen Zubehör- oder Ersatzteilen
 - Elektrowerkzeug-Zubehör, das im Lieferumfang des Werkzeugs enthalten war oder separat erworben wurde. Diese Ausschüsse gelten unter anderem für Schraubensätze, Bohrensätze, Schleifscheiben, Schleifpapier und Klingen, seitliche Führungen
 - Komponenten (Teile und Zubehör), die normalen Verschleiß unterliegen wie unter anderem Wartungskits, Kohlebürsten, Lager, Spannrollen, SDS-Bohrkronenaufsätze oder -aufnahmen, Netzkabel, Zusatzgriff, Transportkoffer, Schleifplatte, Staubbeutel, Staubsaugsaugrör, Fritzscheiben, Schlüsselschlüsselteile und -federn, Anschlusskabel, Antriebsriemen, Kupplungen, Klingen von Hackschneidern oder Rasenmäähern, Gartenzug, Kabelbrossen, Zinken, Federspitze, Laubbäusenventilatoren, Laubbäuser- oder Staubsaugrohre, Staubsaugerbeutel und -riemen, Führungsschienen, Sägeketten, Schläuche, Ansaugschläuche, Sprühdrüse, Räder, Sprühstäbe, Inmenschupfen, Aufhängen, Mähfräsen, Zinkzuerlen, Luftfilter, Gasfilter, Mulchmesser usw.
- Für eine Reparatur im Rahmen der Garantie müssen die Produkte beim Auftreten von Verarbeitungs- oder Materialfehlern, bzw. sobald diese bemerkt werden, unverzüglich an ein autorisiertes RYOBI-Servicepartner gesendet oder diesem vorgelegt werden. Eine Liste der RYOBI-Servicepartner finden Sie auf der folgenden Website: <https://www.ryobitools.eu/>. Verbraucher können die Services eines RYOBI-Servicepartners im Rahmen der Garantie in Anspruch nehmen, indem sie
 - a. den Händler kontaktieren, bei dem der Kauf getätigt wurde; oder
 - b. sich bei der Service-Plattform auf der kommerziellen Website von RYOBI registrieren (<https://www.ryobitools.eu/>). Dieser Prozess ist nicht in jedem Land verfügbar.
 Für den Versand an einen autorisierten RYOBI-Servicepartner muss das Produkt sicher verpackt werden und darf keine gefährlichen Komponenten enthalten (Einzelteile finden Sie in den Sicherheitsanweisungen auf der Website unter <https://www.ryobitools.eu/>). Die Sendung muss zudem mit der Absenderadresse gekennzeichnet werden und eine kurze Beschreibung des Defekts enthalten. Bitte beachten Sie, dass Versandkosten oder Porto in einigen Ländern gemäß den lokalen Regelungen vom Benutzer bezahlt werden müssen. Bitte wenden Sie sich an ein autorisiertes RYOBI-Servicecenter in ihrem Land, um zu erfragen, ob solche Kosten anfallen.
- Nach Eingang des vom Verbraucher als defekt beanstandeten Produkts, wird das Produkt untersucht. Wird der Mangel bestätigt, werden die im Rahmen der Garantie abgedeckten Leistungen erbracht, indem die defekten Teile der Produkte repariert oder nach Ermessen von TTI durch nicht defekte Teile ersetzt werden. Wenn TTI den Defekt nicht reparieren möchte oder wenn die Reparatur nach Ermessen von TTI nicht erfolgreich war, wird ein gleichwertiges Ersatzprodukt bereitgestellt. Produkte oder Teile, für die ein Ersatz bereitgestellt wurde, gehen damit wieder in das Eigentum von TTI über. Alle Reparaturen/Austauscharbeiten im Rahmen der oben genannten Garantien sind für den Verbraucher kostenlos. Mit den von TTI durchgeführten Reparaturen bzw. mit der Bereitstellung von Ersatzprodukten geht keine Verlängerung der Garantie bzw. kein Neustart des Garantiezeitraums einher. Die ersetzten Teile unterliegen den ursprünglich gewährten Garantien, und der Garantiezeitraum endet mit dem Ablauf des Garantiezeitraums der ursprünglich für das gesamte Produkt gewährten Garantie.
- Die Technonic Industries GmbH, Max-Eyth-Str.10, 71364 Winnenden, Deutschland, gewährt die RYOBI-Garantien ausschließlich dem Verbraucher, der das Produkt ursprünglich erworben hat. Die RYOBI-Garantien können dementsprechend nicht übertragen oder abgetreten werden.
- Die Garantien gelten im europäischen Wirtschaftsraum (EWR), in der Schweiz und in Großbritannien. Wenden Sie sich außerhalb dieser Gebiete bitte an den Händler, bei dem das Produkt erworben wurde, um zu erfragen, ob eine anderweitige freiwillige Garantie gelten könnte.

AUTORISIERTES SERVICECENTER

Bitte wenden Sie sich bei Fragen zum oder Problemen mit dem Gerät an das örtliche autorisierte Servicecenter (siehe www.ryobitools.eu) oder direkt an: Technonic Industries GmbH, Max Eyth Straße 10, 71364 Winnenden, Germany. Bitte geben Sie die Seriennummer und den auf dem Typenschild aufgedruckten Gerätetyp an.

ES CONDICIONES DE APLICACIÓN DE LA GARANTÍA DE RYOBI

Además de los derechos legales derivados de la compra de un producto y sin perjuicio de los derechos legales que se aplican de forma independiente y gratuita, todas las herramientas eléctricas y/o herramientas de jardinería nuevas de la marca RYOBI que aparecen en nuestro sitio web, excluidos los accesorios de herramientas, los sistemas de almacenamiento de herramientas y las piezas de repuesto, como se describe más adelante (en la sección "Producto"), están cubiertas por una garantía voluntaria emitida por Technonic Industries GmbH ("TTI"), sujeta a los términos y condiciones que se indican a continuación ("Garantía").

La Garantía solo es aplicable al comprador o compradores que adquieran los productos como usuarios finales en su calidad de consumidores ("Consumidor"). Quedan expresamente excluidos de estas condiciones generales de la Garantía los minoristas, las empresas de alquiler y los usuarios finales profesionales. En el caso de los usuarios finales profesionales, puede aplicarse otro tipo de garantía voluntaria a determinados productos, si se indica explícitamente en el sitio web www.ryobitools.eu. La invocación de esta Garantía voluntaria no limita los derechos legales del Consumidor en caso de defecto.

- La garantía estándar ("Garantía estándar"), siempre que el Producto se adquiera exclusivamente para uso privado, tiene una duración de 24 meses ("Período de garantía estándar") y comienza en la fecha de compra del producto. Esta fecha debe documentarse mediante una factura u otro justificante de compra para que la Garantía estándar sea válida y aplicable. Esta Garantía estándar también se aplica únicamente a los Productos nuevos.
- Los consumidores de determinados países pueden ampliar la Garantía estándar de los Productos elegibles más allá del período de Garantía estándar registrándose en el sitio web www.ryobitools.eu. La elegibilidad de los Productos para la garantía ampliada ("Garantía ampliada") se especifica en el embalaje del Producto, en el sitio web www.ryobitools.eu, o está contenida en la documentación pertinente del Producto en <https://www.ryobitools.eu>. Para beneficiarse de la Garantía ampliada, los Consumidores deben registrar sus Productos en línea en un plazo de 30 días naturales a partir de la fecha de compra. Toda la información personal de los usuarios se procesará de acuerdo con la declaración de privacidad, que se puede encontrar en <https://uk.ryobitools.eu/footer/links/privacy-policy/>. El recibo de confirmación del registro, que se envía por correo electrónico, y la factura original que muestra la fecha de compra servirá como prueba de la Garantía ampliada.
- La Garantía estándar y la Garantía ampliada ("Garantías") se limitan a la reparación y/o sustitución del Producto defectuoso a discreción de TTI siempre que el defecto de fabricación o material existiera en la fecha de compra. No se pueden reclamar más costes ni pérdidas. Además, las Garantías no se aplican a:
 - ningún daño causado accidentalmente, voluntariamente o negligentemente por el Consumidor
 - ningún daño en el Producto que sea resultado de un tratamiento inadecuado o de la falta de mantenimiento
 - ningún Producto que haya sido alterado o modificado
 - ningún Producto en el que se hayan deformado, modificado o eliminado las marcas de identificación original (marca comercial, número de serie)
 - ningún daño causado por el incumplimiento del manual de instrucciones
 - Productos que no estén sujetos a la marca CE/UKCA
 - Productos que se haya intentado reparar en un centro de servicio no autorizado o sin la autorización previa de TTI
 - ningún Producto conectado a una fuente de alimentación inadecuada (amperios, voltaje, frecuencia)
 - ningún Producto utilizado con una mezcla de combustible inadecuada (combustible, aceite, proporción de aceite)
 - ningún daño causado por influencias externas (agua, productos químicos, físicos, golpes) o sustancias extrañas
 - desgaste normal de las piezas de repuesto
 - uso inadecuado, sobrecarga de los Productos
 - uso de accesorios o piezas no aprobados
 - accesorios de la herramienta eléctrica suministrados con la herramienta o adquiridos por separado. Tales exclusiones incluyen, entre otros, puntas de destornillador, brocas, discos abrasivos, papeles de lija y cuchillas, gulas laterales
 - componentes (piezas y accesorios) sujetos al desgaste normal, incluidos, entre otros, kits de mantenimiento y servicio, escobillas de carbón, cojinetes, portabrocas, fijación o recepción de brocas SDS, cable de alimentación, mango auxiliar, material de transporte, pieza de fijado, bolsa para polvo, tubo de escape de polvo, arandelas de fieltro, pasadores de llave de impacto y muelles, mandos de tope, correas de transmisión, empuñe, cuchillas de cortasetos o cortacésped, acelerador, cable de cable, pias, pasadores de enganche, ventiladores del soplador, tubos del soplador y de vacío, bolsas y correas de vacío, barras guía, cadenas de sierra, mangos, conexiones de conector, boquillas pulverizadoras, ruedas, varillas pulverizadoras, carretes interiores, carretes exteriores, línea de corte, bujías, filtros de aire, filtros de gas, cuchillas trituradoras, etc.
- Para el servicio de garantía, los Productos deben ser enviados o presentados sin demora indebida tras la aparición o el reconocimiento del defecto de fabricación o material a un socio de servicios de RYOBI autorizado que figure en la siguiente página web <https://www.ryobitools.eu/>. Los consumidores pueden obtener los servicios de las Garantías de un socio de servicios de RYOBI de la siguiente manera:
 - a. poniéndose en contacto con el establecimiento en el que se realizó la compra; o
 - b. registrándose a través de la plataforma de servicios disponible en la página web comercial de RYOBI <https://www.ryobitools.eu/>. La disponibilidad del proceso puede variar de un país a otro.
 Al enviar un Producto a un socio de servicios de RYOBI, el Producto deberá estar embalado de forma segura y sin contenido peligroso (para más detalles, consulte las instrucciones de seguridad en la página web <https://www.ryobitools.eu/>, marcado con la dirección del remitente y acompañado de una breve descripción del defecto. Tenga en cuenta que, en algunos países, el remitente deberá pagar los gastos de envío o el franquego de acuerdo con las prácticas locales. Consulte a su centro de servicio local autorizado de RYOBI para confirmar si se aplican dichos cargos.
- Se inspeccionará el Producto que el Consumidor haya declarado como defectuoso tras su recepción. Una vez confirmado el defecto, se prestarán los servicios previstos en las Garantías mediante la reparación de las piezas defectuosas de los productos o su sustitución por piezas no defectuosas a discreción de TTI. Si TTI se niega a reparar el defecto o si a discreción de TTI, la reparación ha fracasado, se suministrará un recambio equivalente. Los Productos o las piezas sustituidas pasarán a ser propiedad de TTI. Cualquier reparación/sustitución bajo las Garantías anteriores es gratuita. Las reparaciones/sustituciones realizadas por TTI no constituyen una ampliación ni un nuevo inicio de las Garantías. Las piezas de repuesto sustituidas están sujetas a las Garantías otorgadas originalmente y el período de las Garantías será el período de Garantía concedido originalmente a todo el producto.
- Technonic Industries GmbH, Max-Eyth-Str.10, 71364 Winnenden, Alemania, concede las Garantías de RYOBI únicamente al Consumidor que adquirió originalmente el Producto, y no puede transferirse ni asignarse.
- Las Garantías son válidas en el Espacio Económico Europeo (EEE), Suiza y el Reino Unido. Fuera de estas áreas, póngase en contacto con el establecimiento en el que realizó la compra para averiguar si se aplica otra garantía voluntaria.

CENTRO DE SERVICIO AUTORIZADO

Cualquier solicitud o problema relacionado con el producto se puede remitir a su centro de servicio autorizado local (visite www.ryobitools.eu) o directamente a: Technonic Industries GmbH, Max Eyth Straße 10, 71364 Winnenden, Germany. Indique el número de serie y el tipo de producto que aparecen impresos en la etiqueta.



IT CONDIZIONI DI APPLICAZIONE DELLA GARANZIA RYOBI

In aggiunta ai diritti di legge risultanti dall'acquisto di un prodotto e senza pregiudicare i diritti di legge applicabili in modo indipendente e gratuito, tutti i nuovi utensili elettrici e/o attrezzi da giardinaggio RYOBI elencati sul nostro sito web, esclusi gli accessori per gli utensili, i relativi sistemi di stoccaggio e le parti di ricambio, come ulteriormente descritti ("Prodotti"), sono coperti da una garanzia volontaria emessa da Techtronic Industries GmbH (TTI), nel rispetto dei termini e delle condizioni indicate di seguito ("Garanzia").

La Garanzia è valida solo per gli acquirenti che acquistano i prodotti come utenti finali, in veste di consumatori ("Consumatore"). I rivenditori, le società di noleggio e gli utenti finali professionali sono espressamente esclusi dai presenti termini e condizioni generali della Garanzia. Per gli utenti finali professionali, un diverso tipo di garanzia volontaria può essere applicabile a determinati prodotti. Se esplicitamente indicato sul sito web www.ryobitools.eu, il ricorso alla presente Garanzia volontaria non limita i diritti di legge del Consumatore in caso di difetti.

- La garanzia standard ("Garanzia standard"), a condizione che il Prodotto sia acquistato esclusivamente per utilizzo privato, ha una durata di 24 mesi ("Periodo di Garanzia standard") e decorre dalla data di acquisto del Prodotto. Tale data deve essere documentata da una fattura o altra prova di acquisto affinché la Garanzia standard sia valida e applicabile. La presente Garanzia standard si applica anche ai nuovi Prodotti.
- I Consumatori di alcuni paesi possono prolungare la Garanzia standard per i Prodotti idonei oltre il periodo previsto per tale garanzia, registrandosi sul sito web www.ryobitools.eu. L'identificatore dei Prodotti per la garanzia estesa ("Garanzia estesa") è specificata sulla confezione di ciascun Prodotto, sul sito web www.ryobitools.eu e/o è contenuta nella relativa documentazione del Prodotto all'indirizzo <https://www.ryobitools.eu>. Per usufruire della Garanzia estesa, i Consumatori sono tenuti a registrare i propri Prodotti online entro 30 giorni di calendario dalla data di acquisto, al fine di beneficiare di tale garanzia. Tutte le informazioni personali dei Consumatori saranno trattate in conformità all'informativa sulla privacy, disponibile all'indirizzo <https://uk.ryobitools.eu/footer-links/privacy-policy/>. La conferma di registrazione, inviata tramite e-mail, e la fattura originale indicante la data di acquisto costituiranno la prova della Garanzia estesa.
- La Garanzia standard e la Garanzia estesa ("Garanzie") sono limitate alla riparazione e/o sostituzione del Prodotto difettoso, a discrezione di TTI, a condizione che il difetto di fabbricazione o del materiale esistesse alla data di acquisto. Non è possibile richiedere la rifusione di utensili così opestate. Inoltre, le Garanzie non sono valide per:
 - eventuali danni causati accidentalmente, deliberatamente o negligenzemente dal Consumatore
 - eventuali danni al Prodotto risultanti da un trattamento improprio o da mancanza di manutenzione
 - Prodotti che siano stati alterati o modificati
 - Prodotti in cui le marcature di identificazione originali (marchio di fabbrica, numero di serie) siano state cancellate, alterate o rimosse
 - eventuali danni causati dalla mancata osservanza del manuale di istruzioni
 - Prodotti privi di marcatura CE/UKCA
 - Prodotti che siano stati sottoposti a tentativi di riparazione presso un centro di assistenza non autorizzato o senza previa autorizzazione da parte di TTI
 - Prodotti collegati a una fonte di alimentazione non corretta (per ampere, tensione, frequenza)
 - Prodotti utilizzati con una miscela di carburante non adeguata (carburante, olio, percentuale di olio)
 - eventuali danni causati da influenze esterne (acqua, sostanze chimiche, sostanze fisiche, urti) o da sostanze estranee
 - normale usura delle parti di ricambio
 - uso inappropriato, sovraccarico del Prodotto/i
 - uso di accessori o parti non omologate
 - accessori per utensili elettrici forniti con lo strumento o acquistati separatamente. Tali esclusioni includono, a mero titolo esemplificativo, punte per cacciaviti, punte per trapani, dischi abrasivi, carta vetrata, lame e guide laterali
 - componenti (parti e accessori) soggetti a normale usura, inclusi, a mero titolo esemplificativo, kit di assistenza e manutenzione, spazzole al carbonio, cuscinetti, mandrini, attrezzi per punte SDS, cavi di alimentazione, maniglie ausiliarie, custodie per il trasporto, piastre di levigatura, sacchetti per la raccolta della polvere, tubi di scarico della polvere, rondelle in feltro, pemi e molle della chiave a percussione, pomeili di battuta, cinghie di trasmissione, frizioni, lame di tagliaseghe o tagliaverba, intracarcare, cavi di accelerazione, denti di ingranaggi, pemi, ventole, tubi di soffiatori e aspiratori, sacchetti e cinghie per aspirapolvere, barre guida, catene per seghie, tubi flessibili, raccordi di connessione, ugelli di spruzzo, ruote, erogatori, bobine interne ed esterne, linee di taglio, candele, filtri dell'aria, filtri del gas, lame per mulching, ecc.

- Per gli interventi di assistenza in garanzia, i Prodotti devono essere spediti o portati, senza indebito ritardo dopo il verificarsi o il riconoscimento del difetto di lavorazione o materiale, presso uno dei centri di assistenza autorizzati RYOBI indicati sul sito web <https://www.ryobitools.eu>. I Consumatori possono ottenere i servizi previsti dalle Garanzie presso uno dei centri di assistenza RYOBI

a. contattando il rivenditore presso il quale è stato effettuato l'acquisto; oppure
b. registrandosi tramite la piattaforma di servizi disponibile sulla pagina web Commerciale RYOBI <https://www.ryobitools.eu/>; la disponibilità del processo potrebbe variare da paese a paese.

Il Prodotto da inviare al centro di assistenza autorizzato RYOBI deve essere imballato in modo sicuro senza contenuti pericolosi (per i dettagli, consultare le istruzioni di sicurezza sul sito web <https://www.ryobitools.eu/>), apponendo l'indirizzo del mittente, e accompagnato da una breve descrizione del difetto. In alcuni paesi, le spese di consegna o le spese postali dovranno essere pagate dal mittente secondo le prassi locali. Consultare il centro di assistenza RYOBI autorizzato di zona per verificare l'applicazione di tali spese.

- Alla ricezione del Prodotto che il Consumatore ritiene difettoso, si procederà a un'ispezione. Una volta confermato il difetto, i servizi previsti dalle Garanzie saranno forniti riparando le parti difettose dei Prodotti o sostituendo con parti non difettose, a discrezione di TTI. Qualora TTI dovesse rifiutarsi di riparare il difetto o nel caso in cui, a discrezione di TTI, la riparazione non fosse riuscita, verrà fornito un prodotto sostitutivo equivalente. I Prodotti o le parti sostituiti diventeranno di proprietà di TTI. Eventuali riparazioni/sostituzioni in virtù delle Garanzie di cui sopra sono gratuite. Le riparazioni/sostituzioni effettuate da TTI non costituiscono un prolungamento o un nuovo inizio del periodo di validità delle Garanzie. Le parti di ricambio sostituite sono soggette alle Garanzie originariamente fornite e il periodo di validità delle Garanzie terminerà con il periodo di Garanzia originariamente previsto per l'intero prodotto.

- Le Garanzie RYOBI sono concesse da Techtronic Industries GmbH, Max-Eyth-Str.10, 71364 Winnenden, Germania, esclusivamente al Consumatore che ha acquistato originariamente il Prodotto e non possono essere trasferite o cedute.

- Le Garanzie sono valide nello spazio economico europeo (SEE), in Svizzera e nel Regno Unito. Al di fuori di tali aree, contattare il rivenditore presso il quale è stato effettuato l'acquisto per verificare se è valida un'altra garanzia volontaria.

CENTRO DI ASSISTENZA AUTORIZZATO

Qualsiasi richiesta o problema con il prodotto può essere indirizzato ai centri di assistenza autorizzati locali (visitare www.ryobitools.eu) o direttamente a: Techtronic Industries GmbH, Max Eyth Straße 10, 71364 Winnenden, Germany. Si prega di indicare il numero di serie e il tipo di prodotto stampati sull'etichetta.

NL GARANTIEVOORWAARDEN VAN RYOBI

Naast alle wettelijke rechten die voortvloeien uit de aankoop van een product en onverminderd de wettelijke rechten die onafhankelijk en loslooslos van toepassing zijn, vallen alle nieuwe elektrische gereedschappen en/of tuin gereedschappen van RYOBI die op onze website worden vermeld, met uitzondering van gereedschapsaccessoires, opslagsystemen voor gereedschap en reserveonderdelen, zoals nader beschreven onder ("Product"), onder een vrijwillige garantie van Techtronic Industries GmbH (TTI), volgens de hieronder vermelde voorwaarden ("Garantie").

De garantie is alleen van toepassing op koper(s) die de producten als eindgebruikers in hun hoedanigheid van consument ("consument") kopen. Detailhandelen, verhuurbedrijven en professionele eindgebruikers zijn uitdrukkelijk uitgesloten van deze algemene voorwaarden van de garantie. Voor professionele eindgebruikers kan een ander soort vrijwillige garantie van toepassing zijn op bepaalde producten, indien uitdrukkelijk vermeld op de website www.ryobitools.eu. De intrekking van deze vrijwillige garantie beperkt de wettelijke rechten van de consument in geval van een defect niet.

- De standaardgarantie ("standaardgarantie"), met het product uitsluitend voor privégebruik wordt aangeschaft, heeft een looptijd van 24 maanden ("standaardgarantieperiode") en gaat in op de datum waarop het product is aangeschaft. Deze datum moet worden gedocumenteerd met een factuur of ander aankoopbewijs om ervoor te zorgen dat de standaardgarantie geldend en afdwingbaar is. Deze standaardgarantie geldt ook alleen voor nieuwe producten.

- Consumenten in bepaalde landen kunnen de standaardgarantie voor in aanmerking komende producten verlengen tot na de periode van de standaardgarantie, door zich te registreren op de website www.ryobitools.eu. Of producten in aanmerking komen voor de verlengde garantie ("verlengde garantie") wordt vermeld op de verpakking van een product, op de website www.ryobitools.eu, en/of is opgenomen in de relevante productdocumentatie onder <https://www.ryobitools.eu>. Om gebruik te kunnen maken van de verlengde garantie moeten consumenten online registreren binnen 30 kalenderdagen na de aankoopdatum van de verlengde garantie gebruik te maken. Alle persoonlijke gegevens van een consument worden verwerkt in overeenstemming met de privacyverklaring, die u hier kunt vinden: <https://uk.ryobitools.eu/footer-links/privacy-policy/>. De ontvangstbevestiging van de registratie, die per e-mail wordt verzonden, en de originele factuur waarop de aankoopdatum is vermeld, dienen als bewijs van de verlengde garantie.

- De standaardgarantie en de verlengde garantie ("garanties") zijn beperkt tot reparatie en/of vervanging van het defecte product naar goeddunken van TTI, mits het defect in fabricage of materiaal bestond op de datum van aankoop. Er kunnen geen verdere kosten of verliezen worden gedaaid. Bovendien zijn de garanties niet van toepassing op:

- schade die per ongeluk, opzettelijk of door nalatigheid van de klant is veroorzaakt
- schade aan het product die het gevolg is van een onjuiste handling of gebrek aan onderhoud
- elk product dat is gewijzigd of aangepast
- elk product waarvan de oorspronkelijke identificatiemarkeringen (handelsmerk, serienummer) zijn beschadigd, gewijzigd of verwijderd
- eventuele schade veroorzaakt door het niet naleven van de instructiehandleiding
- producten waarvoor geen CE/UKCA-markering geldt
- elk product dat is geprobeerd te repareren door een niet-geautoriseerd servicecentrum of zonder voorafgaande toestemming van TTI
- elk product dat is aangesloten op een onjuiste voeding (stroomsterkte, spanning, frequentie)
- elk product dat wordt gebruikt met een onjuist brandstofmengsel (brandstof, olie, olieverhouding)
- schade veroorzaakt door invloeden van buitenaard (water, chemisch, fysisch, schokken) of vreemde stoffen
- normale slijtage van reserveonderdelen
- onjuist gebruik, overbelasting van het/de product(en)
- gebruik van niet-goedgekeurde accessoires of onderdelen
- accessoires voor elektrisch gereedschap die bij het gereedschap worden geleverd of afzonderlijk worden aangeschaft. Dergelijke uitsluitingen omvatten maar zijn niet beperkt tot schroefbits, boorbits, schuurschijven, schuurpapier en bladen, zijleiding

- Onderdelen (onderdelen en accessoires) die normaal slijten, met inbegrip van, maar niet beperkt tot servizo- en onderhoudskit, koelborstels, lagers, sparkop, SDS-boorbitsbevestiging of -optima, reitsnoer, hulphandgreep, transportkoffer, schuurpapier, stopzak, stofzuigertop, viltlingen, penen en veren van slagmoersleuf, stootkoppert, aandrijfriemen, koppelingen, bladen van heghenschaars of grasmaaiers, kabelboom, gashendel, tanden, viltlingen, trekpenen, blazers, blaas- en zuigpennen, opvangzak en banden, geleidslangen, zaagkettingen, slangen, aansluitstukken, sproeikoppen, wielen, sproeistaven, binnenspoelen, buitenspoelen, snijlijnen, boegjes, luchtfilters, gasfilters, omhoogvertragen, enz.

- Voor garantieservice moet het product of moeten de producten zonder onjuiste melding van het optreden of de herkenning van het fabricage- of materiaaldefect worden verzonden naar of overhandigd aan een geautoriseerd RYOBI-servicepartner die u vindt op de volgende website: <https://www.ryobitools.eu/>. Consumenten kunnen aanspraak maken op de diensten onder de garanties van een RYOBI-servicepartner door

- a. contact op te nemen met de verkoper waar de aankoop is gedaan; of
- b. registratie via het serviceplatform dat beschikbaar is op de commerciële website van RYOBI: <https://www.ryobitools.eu/>. De beschikbaarheid van het proces kan per land verschillen.

Wanneer een product naar een geautoriseerde servicepartner van RYOBI wordt gestuurd, met het product veilig worden verpakt zonder gevaarlijke inhoud (zie voor meer informatie de veiligheidsinstructies op de website <https://www.ryobitools.eu/>), voorzien van het adres van de afzender en vergezeld van een korte beschrijving van het defect. Houd er rekening mee dat in sommige landen volgens de lokale procedures (verzendkosten door de verzender moeten worden betaald. Neem contact op met een plaatselijke, erkende RYOBI-servicecentrum om te controleren of dergelijke kosten van toepassing zijn.

- Na ontvangst van het product dat door de klant als defect wordt beschouwd, zal het worden geïnspecteerd. Wanneer het defect is bevestigd, worden de diensten onder de garanties verleend door de defecte onderdelen van de producten te repareren of te vervangen door niet-defecte onderdelen naar keuze van TTI. Indien TTI weigert het defect te repareren of indien de reparatie naar goeddunken van TTI is mislukt, wordt een gelijkwaardige vervangingsproduct geleverd. De vervangen producten of onderdelen worden afgedand van TTI. Alle reparaties/vervangingen onder de bovenstaande garanties is gratis. De door TTI uitgevoerde reparaties/vervangingen vormen geen verlenging of nieuwe start van de garanties. De vervangen reserveonderdelen zijn onderworpen aan de oorspronkelijk gegeven garanties en de garantieperiode loopt af met de garantieperiode die oorspronkelijk voor het gehele product was verstrekt.

- De garanties van RYOBI worden door Techtronic Industries GmbH, Max-Eyth-Str.10, 71364 Winnenden, Duitsland, uitsluitend verleend aan de consument die het product oorspronkelijk heeft gekocht en mogen niet worden overgedragen of toegezeven.

- De garanties gelden in de Europese Economische Ruimte (EER), Zwitserland en het Verenigd Koninkrijk. Buiten deze gebieden kunt u contact opnemen met de verkoper waar de aankoop is gedaan om te weten te komen of er een andere vrijwillige garantie van toepassing is.

GEAUTORISEERD SERVICECENTRUM

Elk verzoek of probleem met het product kan worden gericht aan uw lokale geautoriseerde servicecentra (bezoek www.ryobitools.eu/) of rechtstreeks aan: Techtronic Industries GmbH, Max Eyth Straße 10, 71364 Winnenden, Germany. Vermeld het serienummer en het type product dat op het etiket staat.



PT CONDIÇÕES DE APLICAÇÃO DA GARANTIA RYOBI

Para além de quaisquer direitos legais decorrentes da aquisição de um produto e sem prejuízo dos direitos estatutários aplicáveis de forma independente e gratuita, todas as novas ferramentas elétricas e/ou ferramentas de jardim com a marca RYOBI indicadas no nosso website, excluindo acessórios de ferramentas, sistemas de armazenamento de ferramentas, e peças sobresselentes, conforme descrito em ("Produto"), estão cobertas por uma garantia voluntária emitida pela Technronic Industries GmbH ("TTI"), sujeita aos termos e condições indicados abaixo ("Garantia").

A Garantia apenas é aplicável ao(s) comprador(es) que adquire(m) os produtos como utilizador(es) final(is) na sua qualidade de consumidor(es) ("Consumidor"). Os revendedores, as empresas de aluguer e os utilizadores finais profissionais estão expressamente excluídos dos presentes termos e condições gerais da Garantia. Para os utilizadores finais profissionais, pode ser aplicável um tipo diferente de garantia voluntária para determinado(s) produto(s), se explicitamente previsto no website www.ryobitools.eu. A invocação da presente Garantia voluntária não limita os direitos legais estatutários do Consumidor em caso de defeito.

- A garantia padrão ("Garantia padrão"), desde que o Produto seja adquirido apenas para uso privado, tem um prazo de 24 meses ("Período de Garantia padrão") e tem início na data em que o produto foi adquirido. Esta data tem de ser documentada por uma fatura ou outra prova de compra para que a Garantia padrão seja válida e aplicável. A presente Garantia padrão também se aplica a Produto(s) novo(s).
- Os consumidores de determinados países poderão ter a possibilidade de prolongar a Garantia padrão para produtos elegíveis para além do período da Garantia padrão, através do registo no website www.ryobitools.eu. A elegibilidade dos Produtos para a extensão da garantia ("Extensão da garantia") está especificada na embalagem de um Produto, no website www.ryobitools.eu, e/ou está incluída na documentação relevante do produto em <https://www.ryobitools.eu>. Para beneficiar da Extensão da garantia, os Consumidores têm de registar o(s) seu(s) Produto(s) online no prazo de 30 dias consecutivos a contar da data de compra para beneficiarem desta Extensão da Garantia. Todas as informações pessoais de um Consumidor serão processadas de acordo com a declaração de privacidade, que pode ser encontrada aqui <https://uk.ryobitools.eu/footer-links/privacy-policy/>. O recibo de confirmação do registo, que é enviado por e-mail, e a fatura original com a data de compra servirá de prova da Extensão da garantia.
- A Garantia padrão e a Extensão da garantia ("Garantias") estão limitadas à reparação e/ou substituição do Produto com defeito ao critério da TTI, desde que o defeito de fabrico ou de material existisse à data da compra. Não podem ser reclamados custos ou perdas adicionais. Além disso, as Garantias não se aplicam a:
 - quaisquer danos causados acidentalmente, deliberadamente ou negligentemente pelo Consumidor
 - quaisquer danos no Produto resultantes de tratamento inadequado ou falta de manutenção
 - qualquer Produto que tenha sido alterado ou modificado
 - qualquer Produto em que as marcas originais de identificação (marca comercial, número de série) tenham sido desmarcadas, alteradas ou removidas
 - quaisquer danos causados pela não observância do manual de instruções
 - Produtos que não estão sujeitos a uma marcação CE/UKCA
 - qualquer Produto que tenha sido tentado reparar por um centro de assistência não autorizado ou sem autorização prévia da TTI
 - qualquer Produto ligado a uma fonte de alimentação inadequada (ampères, tensão, frequência)
 - qualquer Produto utilizado com mistura de combustível inadequada (combustível, óleo, relação de óleo)
 - quaisquer danos causados por influências externas (água, produtos químicos, físicos, choques) ou substâncias estranhas
 - desgaste normal das peças sobresselentes
 - utilização inadequada, sobrecarga do(s) Produto(s)
 - utilização de acessórios ou peças não aprovados
 - acessórios para ferramentas elétricas fornecidos com a ferramenta ou adquiridos em separado. Estas exclusões incluem, entre outros, brocas, corcas, discos abrasivos, lixa e lâminas, guia lateral
 - componentes (peças e acessórios) sujeitos a desgaste normal, incluindo, entre outros, kits de assistência e manutenção, escovas de carbono, rolamentos, mandrins, fixação ou receção de brocas SDS, cabos de alimentação, punhos auxiliares, malas de transporte, placas de lixa, sacos para poeiras, tubos de escape de poeiras, anilhas de feltro, pinos e molas da chave de impacto, botões de impacto, correias de transmissão, embragens, lâminas de corte-sebes ou corta-relvas, correa, cabo do acelerador, dentes, pinos de engate, ventoinhas do soprador, tubos de vácuo e soprador, sacos e correias de vácuo, lâminas de guia, correntes de serpa, mangueiras, conatos, bocais de pulverização, rodos, hastas de pulverização, bobinas interiores, bobinas exteriores, linhas de corte, velas de ignição, filtros de ar, filtros de gás, lâminas de trituradora, etc.
- Para efeitos de assistência de garantia, o(s) Produto(s) deve(m) ser enviado(s) ao apresentador(s) sem demora injustificada após a ocorrência ou reconhecimento do defeito de fabrico ou de material a um parceiro de assistência autorizado RYOBI listado no seguinte website <https://www.ryobitools.eu>. Os Consumidores podem obter os serviços cobertos pelas Garantias de um parceiro de serviços da RYOBI
 - contactando o revendedor onde o produto foi adquirido; ou
 - registando-se através da plataforma de serviços disponível na página web comercial da RYOBI <https://www.ryobitools.eu/>; a disponibilidade do processo pode variar de país para país.
 Ao enviar um Produto para um parceiro de assistência autorizado da RYOBI, o Produto deve ser embalado em segurança sem conteúdos perigosos (para obter mais informações, consulte as instruções de segurança no website em <https://www.ryobitools.eu/>), marcado com a morada do remetente e acompanhado por uma breve descrição do defeito. Tenha em atenção que, em alguns países, as despesas de entrega ou franquia terão de ser pagas pelo remetente de acordo com a prática local. Consulte o centro de assistência técnica local autorizado RYOBI para confirmar se são aplicáveis essas taxas.

- Após a receção do Produto reclamado como defeituoso pelo Consumidor, este será inspecionado. Quando o defeito for confirmado, os serviços cobertos das Garantias serão prestados através da reparação das peças defeituosas dos produtos ou da sua substituição por peças não defeituosas, segundo o critério da TTI. Se a TTI se recusar a reparar o defeito ou se, ao contrário da TTI, a reparação falhar, será fornecida uma substituição equivalente ao cliente. O(s) Produto(s) ou o(s) peça(s) substituído(s) tornar-se-ão(ao) propriedade da TTI. Qualquer reparação/substituição coberta pelas Garantias acima indicadas é gratuita. A(s) reparação(ões)/substituição(ões) realizada(s) pela TTI não constitui(m) uma extensão ou um novo início das Garantias. As peças sobresselentes substituídas estão sujeitas às Garantias originalmente concedidas e o período para as Garantias terminará com o período para a Garantia inicialmente concedido para todo o produto.
- As Garantias da RYOBI são concedidas pela Technronic Industries GmbH, Max-Eyth-Str. 10, 71364 Winnenden, Alemanha, apenas ao Consumidor que adquiriu originalmente o Produto e não podem ser transferidas nem atribuídas.
- As Garantias são válidas no Espaço Económico Europeu (EEE), na Suíça e no Reino Unido. Fora destas áreas, contacte o revendedor onde o produto foi adquirido para saber se se aplica outra garantia voluntária.

CENTRO DE ASSISTÊNCIA TÉCNICA AUTORIZADO

Qualquer pedido ou problema relacionado com o produto pode ser encaminhado para os seus centros de reparação autorizados locais (visite www.ryobitools.eu) ou diretamente para: Technronic Industries GmbH, Max Eyth Straße 10, 71364 Winnenden, Germany. Indique o número de série e o tipo de produto impressos na etiqueta.

DA BETINGELSER FOR ANVENDELSE AF RYOBI-GARANTI

Ud over de lovbestemte rettigheder, der følger køb af et produkt, og uden at det berører de lovbestemte rettigheder, der gælder uafhængigt og uden omkostninger, er alle nye RYOBI-mærkede værktøjer og/eller havevarekskåber, der er anført på vores hjemmeside, med undtagelse af værktøjsbeholder, værktøjsopvarmingsystemer, og reservedele, som nærmere beskrevet under ("Produkt") dækket af en frivillig garanti udstedt af Technronic Industries GmbH ("TTI") i henhold til de vilkår og betingelser, der er angivet nedenfor ("Garanti").

Garantien gælder kun for en køber/købere, der køber produktene som slutbrugere i deres egen skab af forbrugere ("Forbrugere"). Forhandlere, udeljæringsfirmaer og professionelle slutbrugere er udflykkeligt udelukket fra disse generelle vilkår og betingelser i garantien. For professionelle slutbrugere kan en anden form for frivillig garanti gælde for visse produkter, hvis det udflykkeligt fremgår af hjemmesiden www.ryobitools.eu. Påberøbelse af denne frivillige garanti begrænser ikke forbrugernes lovmæssige rettigheder i tilfælde af en defekt.

- Standardgarantien ("Standardgaranti"), forudsat at produktet kun er købt til privat brug, har en løbetid på 24 måneder ("Standardgarantiperiode") og begynder på den dato, hvor produktet blev købt. Denne dato skal dokumenteres ved en faktura eller andet købsbevis, for at standardgarantien er gyldig og kan håndhæves. Denne Standardgaranti gælder også kun for et nyt/nyttige produkt(er).
- Forbrugere i visse lande kan muligvis forlænge standardgarantien for berettigede produkter ud over standardgarantiperioden ved at registrere sig på hjemmesiden www.ryobitools.eu. Produkternes berettigelse til den udvidede garanti ("Udvidet garanti") er angivet på emballagen til et produkt, på hjemmesiden www.ryobitools.eu, og/eller er indeholdt i den relevante produktokumentation under <https://www.ryobitools.eu/>. For at drage fordel af den udvidede garanti skal forbrugere registrere deres produkt(er) online inden for 30 kalenderdage fra købsdatoen for at drage fordel af denne udvidede garanti. Alle personlige oplysninger om en forbrugere behandles i overensstemmelse med erklæringen om beskyttelse af personlige oplysninger, som findes her <https://uk.ryobitools.eu/footer-links/privacy-policy/>. Kvitteringen for registreringsbekræftelsen, som sendes ud via e-mail, og den originale faktura, der angiver købsdatoen, vil tjene som bevis for den udvidede garanti.
- Standardgarantien og den udvidede garanti ("Garantier") er begrænset til reparation og/eller udsifting af det defekte produkt efter TTIs skøn, forudsat at defekten i udførelse af materialet eksisterede på købsdatoen. Der kan ikke gøres krav på yderligere omkostninger eller tab. Desuden gælder garantieme ikke for:
 - Enhver skade forårsaget ved et uheld, forsætligt eller uagtsomt af forbrugeren
 - Eventuelle skader på produktet, der skyldes forkert behandling eller manglende vedligeholdelse
 - Enhvert produkt, der er blevet ændret eller modificeret
 - Enhvert produkt, hvor den oprindelige identifikationsmærkning (varemærke, serienummer) er blevet deformeret, ændret eller fjernet
 - Eventuelle skader, der skyldes manglende overholdelse af brugsanvisningen
 - Produkter, som ikke er CE/UKCA-mærket
 - Enhvert produkt, der er forsigt repareret af et ikke-autoriseret servicecenter eller uden forudgående tilladelse fra TTI
 - Enhvert produkt, der har været tilslutlet forkert strømforing (strømstyrke, spænding, frekvens)
 - Enhvert produkt, der har været anvendt med en forkert brændstofblandning (brændstof, olie, oieblanding)
 - Skader forårsaget af ydre påvirkninger (vand, kemiske stoffer, fysiske stød) eller fremmedlegemer
 - Normal slitage af reservedele
 - Uhensigtsmæssig anvendelse, overbelastning af produktet/produktterne
 - Anvendelse af ikke-godkendt tilbehør eller dele
 - Tilbehør til værktøjet, der leveres sammen med værktøjet eller købes separat. Sådanne undtagelser omfatter, men er ikke begrænset til, skruetækkere, bor, silbeker, sandpapir og blade, sidestyre
 - Komponenter (dele og tilbehør), der er udsat for normal slitage, herunder, men ikke begrænset til service- og vedligeholdelsesstik, kulborster, lejer, borepator, SDS-bortbøhrer eller -fastgørelsesanordning, nefledning, ekstra håndtag, transportkasser, silbepåde, stopvase, stovslange, filtervisk, slagnedlifter og -fedre, knopper, drivmek, kobling, knive til hækkeløklere eller plæneløklere, se, gashåndtag, tænder, tilkoblingsventiler, ventilatorer, blæsere og vakuumer, vakuumpose og -strop, strøytænger, savkædere, slanger, tilslutningskiftninger, sprøjtestryker, hjul, sprøjtestænger, indvendige ruller, udvendige spoler, skærelædere, trænder, luftfiltre, gasfiltre, bioklipningsblade, osv.
- For garantiservice skal produktet/produktterne uden undtagelse forekommet eller erkendelse af defekten i udførelse af materialet sendes til eller fremsendes for en af de autoriserede RYOBI-servicepartnere, der er anført på følgende websted <https://www.ryobitools.eu/>. Kunderne kan få leveret ydelseme under garantieme hos en RYOBI-servicepartner ved at
 - kontakte den forhandler, hvor købet blev foretaget, eller
 - registrere sig via den serviceplatform, der er tilgængelig på RYOBI's kommercielle hjemmeside <https://www.ryobitools.eu/>. Tilgængeligheden af processen varierer fra land til land.
 Når et produkt sendes til en autoriseret RYOBI-servicepartner, skal produktet indpakkes sikkert uden farligt indhold for nærmere oplysninger henvises til sikkerhedsinstruktionerne på hjemmesiden – <https://www.ryobitools.eu/>, mærkes med afsenders adresse og ledsages af en kort beskrivelse af defekten. Bemærk venligst, at i nogle lands skal leveringsomkostninger eller porto betales af afsenderen i henhold til lokal praksis. Kontakt dit lokale autoriserede RYOBI-servicecenter for at få oplyst, om sådanne gebyter er gældende.
- Ved modtagelse af produktet, der harvædet af være defekt af forbrugeren, vil det blive inspiceret. Når fejlen er blevet bekræftet, vil garantiydelseme blive leveret gennem reparation af produktets defekte dele eller gennem udsifting af dem med ikke-defekte dele efter TTIs skøn. Hvis TTI afviser at reparere defekten, eller hvis reparationen efter TTIs skøn er mislykket, leveres en tilsvarende erstatning. Det/de udsiftede produkt(er) eller dele forbliver TTIs ejendom. Alle reparationer/udsiftninger i henhold til ovenstående garantier er gratis. Den eller de reparation(er)/udsiftning(er), som TTI foretager, udgør ikke en forlængelse eller en ny start på garantieme. De udsiftede reservedele er udelagt de oprindelige atfgave garantier, og garantiperioden slutter med den periode for garantien, der oprindeligt blev givet for hele produktet.
- RYOBI-garantieme ydes af Technronic Industries GmbH, Max-Eyth-Str. 10, 71364 Winnenden, Tyskland, kun til den forbruger, der oprindeligt købte produktet, og kan ikke overdrages eller tilidales.
- Garantieme gælder i det europæiske økonomiske område (EØS), Schweiz og Storbritannien. Uden for disse områder skal du kontakte den forhandler, hvor købet blev foretaget, for at finde ud af, om der gælder en anden frivillig garanti.

AUTORISERET SERVICECENTER

Enhver anmodning eller problem angående produktet kan adresseres til dine lokale autoriserede servicecentre (gå ind på www.ryobitools.eu) eller direkte til Technronic Industries GmbH, Max Eyth Straße 10, 71364 Winnenden, Germany. Angiv serienummer og produkttype, der er trykt på etiketten.



SV VILLKOR FÖR TILLÄMPNING AV GARANTI FRÅN RYOBI

Utöver alla lagstadgade rättigheter som följer av en produkt och utan att det påverkar de lagstadgade rättigheter som gäller oberoende och kostnadsfritt, omfattas alla nya elverktyg och trädrägsverktyg av märket RYOBI som anges på vår webbplats, exklusivt verktygstillbehör, förvaringssystem för verktyg och reservdelar, som beskrivs ytterligare under ("produkt"), av en frivillig garanti som utfärdas av Techtronic Industries GmbH (TTI) enligt de villkor som anges nedan ("garanti").

Garantin gäller endast för köpare som köper produkterna som slutanvändare i ensekspans av konsument ("konsument"). Återförsäljare, utnyhtningsföretag och yrkesmässiga slutanvändare är uttryckligen undantagna från dessa allmänna villkor och bestämmelser i garantin. För yrkesmässiga slutanvändare kan en annan typ av frivillig garanti gälla för vissa produkter, om detta uttryckligen anges på webbplatsen www.ryobitools.eu. Aferoändat av den här frivilliga garantin begränsar inte konsumentens lagstadgade rättigheter i händelse av en oberoend.

- Standardgarantin ("standardgaranti"), främst att produkten endast köps för privat bruk, gäller i 24 månader ("perioden för standardgaranti") och börjar gälla det datum då produkten köptes. Detta datum måste dokumenteras med en faktura eller annat inköpsbevis för att standardgarantin ska vara giltig och verkställbar. Den här standardgarantin gäller endast för nya produkter.
- Konsument i vissa länder kan utöka standardgarantin för berättigade produkter utöver perioden för standardgarantin genom att registrera sig på webbplatsen www.ryobitools.eu. Hurvida produkter omfattas av den utökade garantin ("utökad garanti") anges på produktens förpackning, på webbplatsen www.ryobitools.eu eller i den relevanta produktdokumentationen på <https://www.ryobitools.eu>. Konsumenter måste registrera sina produkter online inom 30 kalenderdagar från inköpsdatumet för att kunna dra nytta av den här utökade garantin. All personlig information om en konsument behandlas i enlighet med sekretesspolicyen som finns här <https://uk.ryobitools.eu/footer-links/privacy-policy/>. Kvittov på registreringsbekräftelsen, som skickas ut via e-post, och originalfakturan som visar inköpsdatum, fungerar som bevis på den utökade garantin.
- Standardgarantin och den utökade garantin ("garantierna") är begränsade till reparation eller utbyte av den defekta produkten enligt TTIs gottfinnande, förutsatt att defekten i utförande eller material finns vid inköpsdatumet. Inga ytterligare kostnader eller förluster kan åberopas. Dessutom gäller inte garantierna för
 - skador som orsakats av misstag, avsiktligt eller vårdslöshet av konsumenten
 - skador på produkten som beror på felaktig behandling eller bristande underhåll
 - en produkt som har ändrats eller modifierats
 - en produkt där ursprungliga märkningar (varumärke eller serienummer) har försvannats, ändrats eller tagits bort
 - skador som orsakats av att handboken inte har följts
 - produkter som inte omfattas av en CE/UKCA-märkning
 - en produkt som har försökts repareras av ett icke-aktoriserat servicecenter eller utan föregående godkännande av TTI
 - en produkt som anslutits till felaktig strömförsörjning (ampere, spänning eller frekvens)
 - en produkt som använts med felaktig bränsleblandning (bränsle, olja eller oljeförhållande)
 - skador som orsakats av yttre påverkan (vatten, kemikalier, fysiska stötar eller elstöt) eller främmande ämnen
 - normalt slitage på reservdelar
 - felaktig användning eller överbelastning av produkten
 - användning av icke-godkända tillbehör eller delar
 - tillbehör till verktyg som medföljer verktyget eller köps separat, sådana undantag inkluderar, men är inte begränsade till, skruvbit, borrkronor, slipkvor, slippapper och -blad och sidostyrning
 - komponenter (delar och tillbehör) som utsatts för normalt slitage, inklusive men inte begränsat till service- och underhållsarbete, kolborstar, lager, chuck, monterer eller fätrung för SDS-borrkronor, strömkabel, extra handtag, transportväska, slippatta, dammsäck, dammsugningsrör, filterbuckor, stift och fjädrar till mutterdragare, anslagsknoppar, drivremmar, koppling, blad till hackaxsar eller gräsklippare, sele, gasvävar, pinnar, filterbuckor, kopplingspinnar, blåsfäktar, blås- och sugrör, uppsamlingsäck och remmar, svär, sägkedjor, slangar, anslutningsnöd, sprutningsstycken, hjul, sprutor, irre rullar, tyre spolar, skärinor, tandstift, luftfilter, gasfilter, strimlingsknivar osv.

- För garantiservice måste produkten skickas till eller uppvisas för, utan dröjsmål efter att defekten i utförande eller material har upptäckts, en auktoriserad RYOBI-servicepartner som anges på följande webbplats <https://www.ryobitools.eu>. Konsumenter kan erbjuda tjänsterna enligt garantierna från en RYOBI-servicepartner genom att
 - kontakta återförsäljaren där köpet gjordes eller
 - registrera sig via serviceplattformen som är tillgänglig på RYOBI Commercial-webbplatsen <https://www.ryobitools.eu>, tillgången till förärandet kan variera från land till land.

När du skickar en produkt till en auktoriserad RYOBI-servicepartner ska produkten vara säkert förpackad utan färlig innehåll (mer information finns i säkerhetsanvisningarna på <https://www.ryobitools.eu>), märkt med avsändarens adress och medföljes av en kort beskrivning av defekten. Observera att i vissa länder måste fraktkostnader eller porto betalas av avsändaren i enlighet med lokal praxis. Kontakta ditt lokala auktoriserade RYOBI-servicecenter för att bekäfta om sådana avgifter gäller.

- Efter mottagandet av den produkt som konsumenten håvdar är defekt kommer den att inspekteras. När defekten har bekräftats tillhandahålls tjänsterna enligt garantierna genom reparation av defekta delar i produkterna eller genom utbyte av dem mot icke-defekta delar efter TTIs gottfinnande. Om TTI vägrar att reparera defekten eller om reparationen, enligt TTIs gottfinnande, misslyckas tillhandahålls en motsvarande ersättningsprodukt. De utbyta produkterna eller delarna blir TTIs egendom. Alla reparationer eller utbyten som omfattas av ovanstående garantier är kostnadsfria. Reparationer eller utbyten som utförs av TTI utgör inte en förpliktelse eller en ny start av garantin. De utbyta reservdelarna omfattas av de garantier som ursprungligen gavs och perioden för garantierna avslutas med perioden som ursprungligen gavs för hela produkten.

- RYOBI-garantierna beviljas av Techtronic Industries GmbH, Max-Eyth-Str.10, 71364 Winnenden, Tyskland, endast till den konsument som ursprungligen köpte produkten och får inte överföras eller överlätas.

- Garantierna gäller inom Europeiska ekonomiska samarbetsområdet (EES), Schweiz och Storbritannien. Utanför dessa områden kontaktar du återförsäljaren där köpet gjordes för att ta reda på om någon annan frivillig garanti gäller.

AUKTORISERAT SERVICECENTER

Varje begäran eller problem avseende produkten kan adresseras till ditt lokala auktoriserade servicecenter (besök www.ryobitools.eu) eller direkt till: Techtronic Industries GmbH, Max Eyth Straße 10, 71364 Winnenden, Germany. Ange serienumret och produkttypen som anges på etiketten.

FI RYOBI-TAKUUN EHDOT

Kaikkien tuotteen ostamisesta koituvien erillisten ja maksuotmien lakisäästeisten oikeuksien lisäksi ja niinh rajoittamatta kaikki verkkosivustollamme luehtelluudet RYOBI-merkittiset sähkötyökalut ja/tai puutarhalyökalut, jällempäjä ("Tuote"), lukuun ottamatta työkalujen lisävarusteita, työkalujen säilytysjärjestelmää ja varaosia, ovat Techtronic Industries GmbH:n (TTI) antaman vapaaehtoisien takuun piirissä alla ilmoitettyjen ehtojen mukaisesti ("Takuu").

Takuu koskee ainoastaan niitä ostajia, jotka ostavat tuotteita kuluttajien asemassa olevina loppukäyttäjinä ("Kuluttaja"). Jällemyyjät, vuokrausyritykset ja ammattimaiset loppukäyttäjät on nimenomaisesti jätetty takuun soveltamisalan ulkopuolelle. Ammattimaisia loppukäyttäjää saatua koskea toisen tyyppien vapaaehtoisien takuu tietyille tuotteille, jos siinä on nimenomaisesti ilmoitettu osoitessa www.ryobitools.eu. Tähän vapaaehtoiseseen takuuseen voimaantien ei rajoita kuluttajien lakisäästeisten oikeuksia viikotapauksissa.

- Perustakuu ("Perustakuu") edellyttää, että tuote ostetaan ainoastaan yksityiskäyttöön, ja kattaa 24 kuukauden jakson ("Perustakuun voimassaoloaika") alkuen tuotteen ostovästä. Perustakuun voimassaolo ja täytäntöönpanokelpoisuus edellyttää, että kyseisen päivämäärä käy limi laskusta tai muusta otostodistuksesta. Lisäksi tämä perustakuu koskee ainoastaan uusia tuotteita.
- Teilyssä maissa olevilla kulluilla voi olla mahollisuus laajentaa perustakuuseen oikeutettujen tuotteiden takuuaika rekisteröitymällä tuotteella www.ryobitools.eu. Tuotteen oikeus laajennettuun takuuseen ("Laajennettu takuu") on määritellyt tuotteesta pakkausessa, verkossa osoitteessa <https://www.ryobitools.eu/ja/> tai olennaisissa tuotteen asiakirjoissa osoitteessa <https://www.ryobitools.eu/>. Kuluttajien on rekisteröitävää tuotteen verkossa 30 kalenteripäivän kuluessa ostovästä, jota he voivat hyödyntää laajennettuun takuun. Kaikkia kuluttajien henkilöteitoja käsitellään seuraavassa osittessa sijaitsevan tietosuojalauseen mukaisesti: <https://uk.ryobitools.eu/footer-links/privacy-policy/>. Sähköpostitse läheteltävä vahvistus rekisteröinnistä ja alkuperäisen lasku, jossa ostovästä on näkyvässä, toimivat todistena laajennettua takuuta.
- Perustakuu ja laajennettu takuu ("Takuu") rajoittavat valitseen tuotteen korjaamiseen ja/tai vaihtamiseen TTI:n päätöksellä ja edellyttävät, että valmistus- tai materiaaliavirheen on ollut tuotteen ostohetkellä. Muita kustannuksia tai menetyksiä koskevia vaatimuksia ei voi esittää. Myöskin seuraavat eivät kuulu takuiden piiriin:
 - Kuluttajan vahingossa tai tahallisesti aiheuttamat tai kuluttajan huolimattomuudesta aiheutuvat vahingot
 - Kaikki tuotteen virheellisesti käsitteilystä tai huollon puutteesta aiheutuvat vahingot
 - Kaikki tuotteet, joita on muunneltu tai muutettu
 - Kaikki tuotteet, joiden alkuperäiset tunnusmerkinät (tavaramerkki, sarjanumero) on peitetty tai poistettu tai niitä on muunneltu
 - Kaikki käyttöoppaan noudattamatta jättämisestä aiheutuneet vauriot
 - Tuotteet, joiissa ei ole CE-/UKCA-merkintää
 - Kaikki tuotteet, joita on yritytet korjauttaa valtuuttamattomalla taholla tai ilman TTI:n etukäteen antamaa lupaa
 - Kaikki tuotteet, joita on kytketty vääränlaisesta virtalähteeseen (virta, jännite, taajuus)
 - Kaikki tuotteet, joiissa on käyretty vääränlaisesta polttoaineesta (polttoaine, öljy, öljyn seosuhde)
 - Kaikki ulkoisten tekijöiden (vesi, kemikaalit, fyysiset tekijät, iskut) tai vierasainneiden aiheuttamat vauriot
 - Vaarojen normaali kuluminen
 - Virheellinen käyttö, tuotteiden ylikuormitus
 - Muiden kuin huyskäytöjen lisävarusteiden tai osien käyttö
 - Sähkötyökalun mukana toimitettu tai erikseen ostettu lisävaruste. Tilaisissa poikkeuksissa ovat muun muassa ruuviskäriät, poranterät, homaalimat, hiomapaperit ja terät sekä sivohaajan
 - Komponentit (osat ja lisävarusteet), joita kuluvat normaalisissa käytössä, mukaan lukien mutta niinh rajoittamatta huolto- ja kunnossapitosarjat, hiiliharjat, laakent, istukka, SDS-poranterän kiinnitysosa tai vastake, virtajohto, lisävakua, kuljetuslaukku, homealve, pölypussi, pölynpoistoputki, huopatiivisteet, iskevien ruuviväänneiden tapit ja jouset, syöttönpuit, vetohihnat, kynkin, pensasleikkureiden tai ruohonleikkureiden terät, vaijat, kaasuvaijerit, piikit, sokkapatit, puhallimet, puhallus- ja imuputket, keräysoja ja hihat, laraveltyt, taraketyöt, lelut, liittimet, suihkutuslaitteet, pyörät, suihkutusvarret, sisäkelat, ukoikelat, leikkusivaimet, syytystyypit, ihmisuodattimet, polttoainesuodattimet, silpupumistat, jne.

- Takuuhuolto varten tuotteet on valmistus- tai materiaaliavirheen ilmeneessä tai huomaamisen jälkeen viipymättä lähetettävä tai tuotava paikalle johonkin seuraavalla paikalla olevilla luetehtävien valtuutettujen RYOBI-huoltokomppaneiden toimipisteeseen: <https://www.ryobitools.eu/>. Kuluttajat voivat saada takuiden alaisia palveluita RYOBI-huoltokomppanin seuraavilla tavoilla:

- Ottamalla yhteyttä jällemyyjään, jotta tuote on ostettu
- Rekisteröitymällä RYOBI:n kaupallisella verkkosivulla <https://www.ryobitools.eu/> olevaan huoltopalveluun. Menettelyn saatavuus saattaa vaihdella maittain.

Kun tuotetta lähetetään valtuutetuille RYOBI-huoltokomppanille, se on pakattava turvallisesti ilman vaarallista sisältä (katso lisätietoja verkkosivustolta <https://www.ryobitools.eu/> olevista turvallisuuksiojeista) ja siihen on merkittävä lähetettävän osalle ja/vaihtuvuus viasta. Ota huomioon, että jossakin maissa lähetettävien on paikallisen käytännön mukaisesti maksettava kuljetusmaksu tai postimaksu. Kysy paikallisesta valtuutetusta RYOBI-huoltoliikkeestä, perittäköön tilaisissa maksuja.

- Kuluttajan valitsee ilmoittama tuote tarkastetaan sen saavuttua toimipisteeseen. Kun vika on varmistettu, takuiden alaiset palvelut toteutetaan TTI:n harkinnan mukaan joko korjaamalla tuotteen valitset osat vaihtamalla ne eihin. Jos TTI ei hyväksy vaihtamista tai jos TTI katsoo, että korjaus on epäonnistunut, kuluttajalle toimitetaan vastava korvaava tuote. Korvatvat tuotteet tai osat siirytään TTI:n omistukseen. Kaikki edellä mainitut takuiden alaiset korjaukset/vaihdot ovat maksuttomia. TTI:n toimittamien korjaukset/vaihdot eivät pidennä takuiden voimassaoloaika tai aloita sitä alusta. Valhdetut varosat ovat alkuperäisten takuiden alaisia, ja niiden takuiden voimassaoloaika päättyy silloin, kun koku tuotteelle myömytyn alkuperäisen takuiden voimassaoloaika päättyy.

- RYOBI-takuu myöntää Techtronic Industries GmbH, Max-Eyth-Str.10, 71364 Winnenden, Saksaa, ainoastaan tuotteen alun perin ostaneelle kuluttajalle. Takuuta ei voi siirtää tai määntää toiselle taholle.

- Takuu ot voimassa Euroopan talousalueella (ETA), Sveitsissä ja Yhdysneissä kuningaskunnassa. Näiden alueiden ulkopuolella voit ottaa yhteyttä jällemyyjään, jotta tuote on ostettu, ja selvittää, onko osallista voimassa jokin toinen vapaaehtoinen takuu.

VALTUUTETTU HUOLTOLIIKE

Kaikki tuotteesen liittyvät pyynnöt tai kysymykset voidaan osoittaa paikallisille huoltoliikkeille (katso <https://www.ryobitools.eu/>) tai suoraan osoitteeseen: Techtronic Industries GmbH, Max Eyth Straße 10, 71364 Winnenden, Germany. Ilmoita tarpeen painettu sarjanumero ja tuotetyyppi.

NO GARANTIBETINGELSER FOR RYOBI

I tillegg til eventuelle lovbestemte rettigheter som følge av kjøpet av dette produktet og uten tap av de lovbestemte rettighetene som gjelder uavhengig og uten kostnad, dekkes alle nye RYOBI-elektroværktøy og/eller -hageværktøy som er oppgitt på nettsiden vår, med unntak av verktyøvdeler, oppbevaringsystemer for verktyø og reservedeler, som angitt under («Produkts»), av en frivillig garanti utstedt av Technonic Industries GmbH («TTI») som er underlagt vilkårene og betingelsene angitt nedenfor («Garanti»).

Garantien gjelder kun for kjøpere som kjøper produktet som sluttbrukere, og som kan regnes som forbrukere («Forbruker»). Detaljhandlere, utleiefirmaer og profesjonelle sluttbrukere er uttrykkelig unntatt fra disse generelle vilkårene og betingelsene for garantien. For profesjonelle sluttbrukere kan en annen type frivillig garanti omfatte visse produkter dersom det er tydelig angitt på nettsiden www.ryobitools.eu. Påberøpelsen av denne frivillige garantien begrenses ikke de lovbestemte rettighetene til forbrukeren hvis det er en feil med produktet.

1. Standardgaranti («Standardgaranti»): såfremt produktet kun er kjøpt for privat bruk, har en gyldighetsperiode på 24 måneder («Periode for standardgaranti») og starter den datoen produktet kjøpes. Denne datoen må dokumenteres med faktura eller annet kjøpsbevis for at standardgaranti skal være gyldig og tvangskraftig. Denne standardgarantien gjelder kun for nye produkter.
2. Det kan være mulig for forbrukere i visse land å forlange standardgarantien for kvalifiserte produkter utover perioden for standardgarantien ved å registrere dem på nettsiden www.ryobitools.eu. Dersom produktet er kvalifisert for den forlengede garantien («Forlengt garanti»), angis dette på emballasjen til produktet, på nettsiden www.ryobitools.eu og/eller i den relevante produktdokumentasjonen under <https://www.ryobitools.eu>. For å kunne dra nytte av den forlengede garantien må forbrukere registrere produktet på nett innen 30 kalenderdager fra kjøpsdatoen. Alle personopplysningene til forbrukere behandles i henhold til personvernklæringen, som du finner her: <https://uk.ryobitools.eu/footer-links/privacy-policy/>. Kvitteringen for bekreftet registrering, som sendes på e-post, og den opprinnelige fakturaen som viser kjøpsdatoen, fungerer som bevis for den forlengede garantien.
3. Standardgarantien og den forlengede garantien («Garantien») er begrenset til reparasjon og/eller erstatning av det defekte produktet etter TTIs skjønn, såfremt fabrikkasjonsselen eller materiafler eksisterer på kjøpsdatoen. Ingen ytterligere kostnader eller tap dekkes. I tillegg gjelder garantiene ikke for:
 - eventuelle skader forårsaket med eller uten hensikt, eller på grunn av uaktsomhet fra forbrukers side
 - eventuelle skader på produktet som følge av feilaktig bruk eller mangel på vedlikehold
 - ethvert produkt som har blitt endret eller modifisert
 - ethvert produkt der opprinnelig identifikasjonsmerking (varemerke, serienummer) har blitt ødelagt, endret eller fjernet
 - eventuelle skader som følge av at brukerhåndboken ikke er fulgt
 - produkter som ikke er underlagt CE/UKCA-merking
 - ethvert produkt som er forsatt reparert av et uautorisert servicenett eller uten autorisasjon fra TTI på forhånd
 - ethvert produkt som har blitt koblet til feil strømforsyning (ampere, spenning, frekvens)
 - ethvert produkt som er brukt med feil drivstoff/fløide (drivstoff, olje, oljeforhold)
 - eventuelle skade som følge av eksterne påvirkninger (vann, kjemisk eller fysisk påvirkning, støt) eller forårsaket av fremmedlegemer
 - normal slitasje på reservedeler
 - feilaktig bruk, overbelastning av produktet
 - bruk av tilbehør eller deler som ikke er godkjent
 - medfølgende tilbehør for elektroværktøyet eller tilbehør kjøpt separat (Disse unntakene inkluderer, men er ikke begrenset til, skrutrekkerbits, drillbits, slipeskiver, sliperapparat og -blader og sideskinner)
 - komponenter (del og tilbehør) som utsettes for normal slitasje, inkludert, men ikke begrenset til, service- og vedlikeholdssett, kulbørster, lagre, chuk, tilbehør for SDS-drillbits eller -møttak, strømledning, ekstrahåndtak, bæresekk, slipeskive, stoppose, utløpsrør for støv, filterkasse, bolter og fjærer for multratrekkere, bulkknotter, drivmerer, clutch, blader for hekkaksler eller gressklippere, seler, kabelsgjeld, lindring, løsebolter, vifter for blåsere, rør for blåsere og sugere, sprøseposer og -stopp, styreskinner, sagkjedler, stanger, koblingsfester, spraymunnstykker, hjul, sprøyestenger, indre spoler, ytre spoler, trimmetråder, tempelgjuler, luftfilter, gassfilter, mulchingkniver osv.
4. For garantiservice må produktet innlevert til et hendelsen oppstod eller fabrikkasjonsselen eller materiafler ble oppdaget, sendes til en autorisert RYOBI-servicenter som er oppgitt på følgende nettside: <https://www.ryobitools.eu>. Forbrukere kan få garantiservice fra en RYOBI-servicenter ved å
 - a. kontakte detaljhandleren som produktet ble kjøpt fra, eller
 - b. registrere produktet via servicelplattformen som er tilgjengelig på RYOBI Commercial-nettsiden <https://www.ryobitools.eu>. Tilgjengeligheten til prosessen kan variere fra land til land.Når et produkt skal sendes til en autorisert RYOBI-servicenter, må produktet pakkes forvarlig uten fælig innhold (for mer informasjon kan du se sikkerhetsinstruksjonene på nettsiden <https://www.ryobitools.eu>), og pakken må merkes med avsenders adresse samt inneholde en kort beskrivelse av feilen. Merk at leveringskostnader eller porto i noen land må betales av avsender i henhold til lokale retningslinjer. Ta kontakt med ditt lokale autoriserte RYOBI-servicenter for å finne ut om slike avgifter gjelder for deg.

5. Produktet som forbrukeren mener er defekt, kontrolleres ved notak. Når feilen er bekreftet, leveres tjenestene under garantien gjennom reparasjon av de defekte delene av produktet eller ved å skifte dem ut med fungerende deler etter TTIs skjønn. Hvis TTI velger å ikke reparere feilen, eller hvis reparasjonen ikke var vellykket, etter TTIs skjønn, leveres en tilsvarende erstatning. De erstatte produktene eller delene blir TTIs eiendom. Enhver reparasjon/erstatning under de ovennevnte garantiene er gratis. Reparasjon/erstatningen utført av TTI innebærer ikke en forlengelse av garantiene eller en ny start på garantiperioden. De erstatte reservedelene er underlagt garantiene som opprinnelig ble gitt, og perioden for garantiene utløper i samsvar med garantiperioden som opprinnelig ble gitt for hele produktet.
6. Garantien fra RYOBI gis av Technonic Industries GmbH, Max-Eyth-Str.10, 71364 Winnenden, Tyskland, og de gjelder kun for forbrukeren som opprinnelig kjøper produktet. Det kan ikke overføres eller tildeles.
7. Garantien er gyldig i Det europeiske økonomiske samarbeidsområde (EØS), Sveits og Storbritannia. Dersom du ikke befinner deg innenfor disse områdene, kan du kontakte detaljhandleren der kjøpet ble gjort, for å finne ut om en annen frivillig garanti gjelder.

AUTORISERT SERVICENETT

Enhver forespørsel eller problem med produktet kan henvises til de lokale autoriserte servicenettene (se www.ryobitools.eu) eller direkte til: Technonic Industries GmbH, Max Eyth Straße 10, 71364 Winnenden, Germany. Angi serienummer og produkttype som er trykket på etiketten.

RU УСЛОВИЯ ДЕЙСТВИЯ ГАРАНТИИ НА ПРОДУКЦИЮ RYOBI

В дополнение к любым законным правам, возникающим в результате покупки изделия, и без ущерба для законных прав, которые предоставляются отдельно и на безвозмездной основе, на все новые электронные инструменты и/или садовые инструменты под торговой маркой RYOBI, перечисленные на нашем сайте, за исключением принадлежностей для инструментов, систем хранения инструментов и запасных частей, и именуемые далее как «Продукт», действует добровольно предоставляемая компанией Technonic Industries GmbH (далее — «TTI») гарантия (далее — «Гарантия») в соответствии с условиями и положениями, указанными ниже.

Гарантия распространяется только на покупателей, которые приобретают продукт и являются его конечными пользователями (далее — «Пользователь»). Дилерские центры, компании по продаже техники, а также профессиональные конечные пользователи в любой форме используются из настоящих общих положений и условий Гарантии. Для профессиональных конечных пользователей на определенные продукты может распространяться добровольно предоставляемая Гарантией на условиях, если это явно указано на сайте www.ryobitools.eu. Страница с условиями добровольно предоставляемой Гарантии не влияет на законные права Пользователя в случае наличия дефекта.

1. Период действия Стандартной гарантии (далее — «Стандартная гарантия»), при условии что Продукт приобретается только для частного использования, составляет 24 месяца (далее — «Стандартный гарантийный период») и начинается с даты приобретения Продукта. Четыре Стандартная гарантия была действительна и имела законную силу, эта дата должна быть документально подтверждена чеком или иным документом, подтверждающим факт покупки. Настоящая Стандартная гарантия распространяется только на новые Продукты.
2. В некоторых странах Пользователи могут продлить Стандартную гарантию на определенные Продукты после истечения срока действия Стандартной гарантии путем регистрации на сайте www.ryobitools.eu. Право на получение Расширенной Гарантии (далее — «Расширенная гарантия») указано на упаковке Продукта, на сайте www.ryobitools.eu или в сопутствующей документации к Продукту, которая доступна на сайте <https://www.ryobitools.eu> или по телефону. Расширенную гарантию, Пользователи должны зарегистрировать, если Продукты охватывают в течение 30 календарных дней с даты покупки. Все персональные данные Пользователя будут обрабатываться в соответствии с положением о конфиденциальности, которое доступно по адресу <https://uk.ryobitools.eu/footer-links/privacy-policy/>. Подтверждение регистрации, полученное по электронной почте, и оригинал чека с датой покупки будут служить подтверждением Расширенной Гарантии.
3. Обязательства по Стандартной и Расширенной гарантии (далее — «Гарантии») ограничиваются ремонтом или заменой дефектного Продукта по усмотрению компании TTI при условии, что производственный дефект или дефект материалов существовал на момент покупки. Рекламации на возмещение дополнительных расходов или убытков не принимаются. Кроме того, Гарантии не покрывают следующие:
 - любой ущерб, причиненный случайно, намеренно или по неосторожности пользователем
 - любое повреждение Продукта в результате неправильного использования или недостаточного технического обслуживания
 - любой Продукт, подвергшийся изменениям или модификации
 - любой Продукт, оригинальные идентификационные элементы (торговая марка, серийный номер) которого были изменены, повреждены или удалены
 - любые повреждения, возникшие по причине небрежности
 - Продукты, которые не сертифицированы CE/UKCA
 - любой Продукт, который произведен ремонт которого был выполнен в неавторизованном сервисном центре или без предварительного разрешения компании TTI
 - любой Продукт, подключенный к неподходящему источнику питания (несоответствие силы тока, напряжения, частоты)
 - любой Продукт, в котором использовалась неподходящая топливная смесь (неподходящее топливо, масло или неправильное соотношение топлива и масла)
 - любые повреждения, вызванные внешними воздействиями (вода, химические вещества, физические факторы, удары) или посторонними веществами
 - естественный износ запасных частей
 - неправильное использование, перегрузка Продукт(ов)
 - использование необязательных принадлежностей или оригинальных запасных частей
 - принадлежности для электронного инструмента, входящие в комплект поставки инструмента или приобретенные отдельно. К таким исключениям относятся, помимо прочего, биты для отвертки, сверла, абразивные диски, наждачная бумага и ножи, боковые направляющие
 - компоненты (запасные части и принадлежности), подверженные естественному износу, включая, помимо прочего, комплект для обслуживания, угольные щетки, подшипники, патрон, крепление или шпилька сверла SDS, или противоскользящую рукоятку, или шину для транспортировки, шлифовальную пластину, мешок для сбора пыли, трубку отвода пыли, волокнистые шайбы, штифты и пружины ударного механизма, ударные шурупы, сварочные ремни, муфты, лезвия ножиц для живой изгороди или ножи газонокосилки, осяси, дроссельный регулятор с тросом, граблины, пальцы сценного устройства, вентиляторы воздуходува, напанельные и вакуумные трубки, вакуумный мешок и сток, пыльные щипцы и щели, шланги, соединительные элементы, насадки для распыления, колыса, шпатель-распылители, внутренние катушки, внешние шпильки, режущие корды, свечи зажигания, воздушные фильтры, газовые фитинги, ножи для мульчирования и т. д.
4. Для гарантийного обслуживания Продукт(ы) должны быть отправлены или принесены без необходимости задержки после возникновения или подтверждения производственного дефекта или дефекта материалов одному из авторизованных партнеров по техническому обслуживанию компании RYOBI, указанных на сайте <https://www.ryobitools.eu>. Пользователи могут получить обслуживание по Гарантиям у партнера по техническому обслуживанию RYOBI следующим образом:
 - a. путем обращения в дилерский центр, где была совершена покупка; или
 - b. путем регистрации на сервисной платформе, доступной на коммерческом сайте RYOBI <https://www.ryobitools.eu> (доступность сервиса может отличаться в зависимости от страны).При отправке изделия авторизованному партнеру по техническому обслуживанию компании RYOBI изделие должно быть надежно упаковано без использования опасных материалов (подробнее см. инструкции по технике безопасности на сайте <https://www.ryobitools.eu>), с указанием адреса отправителя и кратким описанием дефекта. Обратите внимание, что в некоторых странах в соответствии с местными правилами доставки или противоскользящие рукоятки отправляются отправителем. Обратиться в местный авторизованный сервисный центр RYOBI, чтобы уточнить условия оплаты.
5. После получения Продукта, заявленного Пользователем как дефектный, будет предложено его просмотр. После подтверждения дефекта по Гарантии будет выполнен ремонт или замена дефектных деталей изделия по усмотрению компании TTI. Если TTI отказывается выполнить ремонт дефекта или по решению компании TTI ремонт не может быть выполнен успешно, будет предоставлена эквивалентная замена. Заменяемые Продукты или детали становятся собственностью TTI. Любые ремонтные работы/замены, предусмотренные условиями вышеуказанных Гарантии, выполняются бесплатно. Ремонт/замена, выполняемые TTI, не дают права на продление или получение новых Гарантий. На заменяемые запасные части распространяются первоначально предоставленные Гарантии, и срок действия Гарантий истечет в соответствии с периодом действия первоначально предоставляемой Гарантии на весь Продукт.
6. Гарантии RYOBI предоставляются компанией Technonic Industries GmbH, Max-Eyth-Str.10, 71364 Winnenden, Germany, только первому покупателю Продукта и не могут быть переданы или уступлены другому лицу.
7. Гарантии действуют в странах Европейской экономической зоны (ЕЗЗ), Швейцарии и Великобритании. За пределами этих регионов обратиться в дилерский центр, где была совершена покупка, чтобы уточнить наличие других добровольно предоставляемых гарантий.

AВТОРИЗОВАННЫЙ СЕРВИСНЫЙ ЦЕНТР

При возникновении проблем с изделием обращайтесь в один из региональных авторизованных сервисных центров (см. www.ryobitools.eu) или напрямую: Technonic Industries GmbH, Max Eyth Straße 10, 71364 Winnenden, Germany. Укажите серийный номер и тип изделия, указанные на этикетке.

PL WARUNKI STOSOWANIA GWARANCJI RYOBI

Wszystkie nowe elektronarzędzia marki RYOBI i/lub narzędzia ogrodowe wymienione na naszej stronie internetowej, z wyłączeniem akcesoriów narzędziowych, systemów przechowywania narzędzi, części zamiennych, zgodnie z opisem w punkcie „Produkt” są objęte dodatkowo do wszelkich ustawowych praw wynikających z zakupu produktu i będą uszczelniać dla praw ustawowych, które obowiązują niezależnie i bezpłatnie, dobrowolna gwarancja wydana przez Techtronic Industries GmbH (TTI) z zastrzeżeniem warunków określonych poniżej („Gwarancja”).

Gwarancja na zastosowanie wyłącznie do nabywców, którzy kupują produkt jako użytkownicy końcowi w charakterze konsumentów („Konsument”). Sprzedawcy detaliczni, wyprodukcylni, a także profesjonalni użytkownicy końcowi są wyraźnie wyłączeni z niniejszych ogólnych warunków gwarancji. W przypadku profesjonalnych użytkowników końcowych do niektórych produktów może mieć zastosowanie inny rodzaj dobrowolnej gwarancji, o ile zostało to wyraźnie przewidziane na stronie www.ryobitools.eu. Odwołanie się do niniejszej, dobrowolnej Gwarancji nie ogranicza ustawowych praw Konsumenta w przypadku wystąpienia wad.

1. Standardowa gwarancja („Gwarancja standardowa”), pod warunkiem, że Produkt został zakupiony wyłącznie do użytku prywatnego, obowiązuje przez okres 24 miesięcy („Standardowy okres gwarancyjny”) i rozpoczyna się w dniu zakupu produktu. Data ta musi być udokumentowana fakturą lub innym dowodem zakupu, aby standardowa gwarancja była ważna i wykonalna. Niniejsza Gwarancja standardowa dotyczy również wyłącznie nowych produktów.

2. Konsumentom w niektórych krajach mogą przedłużyć Gwarancję standardową na kwalifikujące się produkty poza jej okres obowiązywania, rejestrując się na stronie www.ryobitools.eu. Możliwość zakwalifikowania produktów do rozszerzonej gwarancji („Gwarancja rozszerzona”) jest określona na opakowaniu produktu, na stronie internetowej www.ryobitools.eu i/lub jest zawarta w odpowiedniej dokumentacji produktu pod adresem <https://www.ryobitools.eu>. Aby możliwe było skorzystanie z Gwarancji rozszerzonej, Konsument musi zobowiązać do zarejestrowania swojego produktu (produktów) online w ciągu 30 dni kalendarznych od daty zakupu. Wszystkie dane osobowe Konsumenta będą przetwarzane zgodnie z oświadczeniem o ochronie prywatności, które można znaleźć pod adresem <https://uk.ryobitools.eu/footer-links/privacy-policy/>. Powiadzenie rejestracji, które jest wysłane pocztą elektroniczną, oraz oryginalna faktura z datą zakupu, będą stanowiły dowód przedłożenia Gwarancji.

3. Gwarancja standardowa i Gwarancja rozszerzona („Gwarancja”) są ograniczone do naprawy i/lub wymiany wadliwego produktu według uznania firmy TTI, pod warunkiem, że wada wykonania lub materiału istniała w dniu zakupu. Nie można skłócić żadnych dodatkowych rozszerzeń z tytułu kosztów ani strat. Ponadto gwarancje nie mają zastosowania do:

- wszelkich uszkodzeń spowodowanych przypadkowo, umyślnie lub przez zaniedbanie Konsumenta
- wszelkich uszkodzeń produktów, które są wynikiem niewłaściwego postępowania z produktem lub braku konserwacji
- wszelkich produktów, które zostały zmienione lub zmodyfikowane
- wszelkich produktów, w którym oryginalne oznaczenia identyfikacyjne (znak towarowy, numer seryjny) zostały zniszczone, zmienione lub usunięte
- wszelkich uszkodzeń spowodowanych nieprzebraniem instrukcji obsługi
- produktów, które nie podlegają oznakowaniu CE/UKCA
- wszelkich produktów, który próbowano naprawić przez nieautoryzowane centrum serwisowe lub bez uprzedniej zgody firmy TTI
- wszelkich produktów podłączonych do niewłaściwego zasilania (napięcie, napięcie, częstotliwość)
- wszelkich produktów używanych z nieodpowiednią mieszanką paliwa (paliwo, olej, stosunek oleju)
- wszelkich uszkodzeń spowodowanych przez czynniki zewnętrzne (woda, chemikalia, wstrząsy fizyczne) lub substancje odczyszczeniowe
- normalnego zużycia części zamiennych
- niewłaściwego użycia, przełączenia produktu
- stosowania niezatwierdzonych akcesoriów lub części
- akcesoriów do elektronarzędzi dostarczanych wraz z narzędziami lub zakupionych oddzielnie. Takie wyłączenia obejmują między innymi: bity wkrętakowe, wierarka, tarcze ścierna, papier ścierny i ostrza, prowadnice boczne
- elementy (części) akcesoriów, które podlegają normalnemu zużyciu, w tym między innymi zestawy serwisowe i konserwacyjne, szczotki węglowe, łożyska, uchwyty, mocowanie lub grzałko wierarka SDS, przewód zasilający, uchwyty pomocnicze, walizka transportowa, płyta szlifarska, worek na kurz, rura odprężająca, rurki, podkładki fiocowe, koła i sprężyny klucza udarowego, pokrętki, pasy napędowe, szpindel, ostrza noży do żyłwotłu lub kosiariek do trawy, uprząż, przepuszcza kablowa, zęby, szornice zaczepek, wentylatory dmuchawy, rury dmuchawy i odkurzaczy, worki i paski do odkurzacza, prowadnice, łączące do pilek, przewody elastyczne, złączki, dysze rozpryskowe, koła, rozpylacze, bełny wewnętrzne, suwaki zewnętrzne, linie hacze, świece zapłonowe, filtry powietrza, filtry gazy, ostrza do mulczowania itp.

4. W celu obsługi gwarancyjnej Produkt musi zostać wysłany lub przedłożony bez zbędnej zwłoki po wystąpieniu lub stwierdzeniu wady wykonania lub materiału autoryzowanemu partnerowi serwisowemu RYOBI wymienionemu na poniższej stronie internetowej <https://www.ryobitools.eu>. Konsument może uzyskać usługi na podstawie gwarancji od partnera serwisowego RYOBI poprzez:

- a. kontakt ze sprzedawcą detalicznym, u którego dokonano zakupu; lub
 - b. rejestrację za pośrednictwem platformy usługowej dostępnej na stronie internetowej RYOBI Commercial <https://www.ryobitools.eu>, dostępność procesu może różnić się w zależności od kraju.
- Przy wysłaniu produktu do autoryzowanego partnera serwisowego RYOBI należy bezpiecznie zapakować produkt bez niebezpiecznej zawartości (szczegółowe informacje można znaleźć w instrukcji bezpieczeństwa na stronie internetowej <https://www.ryobitools.eu>), zaznacząc adres nadawcy i wraz z krótkim opisem wady. Należy pamiętać, że w niektórych krajach koszty wysyłki będą musiały zostać uiszczone przez nadawcę zgodnie z lokalnymi zwyczajami. Należy skonsultować się z lokalnym autoryzowanym centrum serwisowym firmy RYOBI, aby potwierdzić, czy takie opłaty obowiązują.

5. Po otrzymaniu produktu uznanego przez Konsumenta za wadliwy zostanie on sprawdzony. Po potwierdzeniu wady wynikającej z gwarancji usługi będą świadcone poprzez naprawę wadliwych części produktów lub wymianę ich na części niewadliwe według uznania firmy TTI. Jeśli firma TTI odmówi naprawy usterek lub jeśli według jej uznania naprawa nie powoduje się, zostanie zapewniona równoznaczna wymiana. Zastąpiony produkt lub części stana się własnością TTI. Wszelkie naprawy/wymiany w ramach powyższych gwarancji są bezpłatne. Naprawy/wymiany przeprowadzone przez firmę TTI nie stanowią przedłużenia ani nowego początku gwarancji. Wymienne części zamienne podlegają pierwotnie uzdoleniu gwarancjom, a okres ich gwarancji zakończy się wraz z okresem gwarancji, która pierwotnie została udzielona na cały produkt.

6. Gwarancja RYOBI udzielana są przez Techtronic Industries GmbH, Max-Eyth-Str.10, 71364 Winnenden, Niemcy, wyłącznie Konsumentowi, który pierwotnie zakupił produkt, i nie mogą być przenoszone ani przekazywane.

7. Gwarancje obowiązują w Europejskich Obszarach Gospodarczych (EOG), Szwajcarii i Wielkiej Brytanii. Poza tymi obszarami należy skontaktować się ze sprzedawcą detalicznym, u którego dokonano zakupu, aby dowiedzieć się, czy obowiązują inna dobrowolna gwarancja.

AUTORYZOWANE CENTRUM SERWISOWE

Wszelkie zapytania i problemy z produktem można zgłaszać do lokalnych autoryzowanych centrów serwisowych (patrz www.ryobitools.eu) lub bezpośrednio do: Techtronic Industries GmbH, Max Eyth Straße 10, 71364 Winnenden, Germany. Prosimy o podanie wydrukowanego na etykiecie numeru seryjnego oraz typu produktu.

CS PODMÍNKY PLATNOSTI ZÁRUKY SPOLEČNOSTI RYOBI

Kromě jakýchkoli zákonných práv vyplývajících z nákupu výrobku a aniž jsou dotčena zákonná práva, která platí nezávisle a bezpečně, veškeré nové elektrické nářadí značky RYOBI a/nebo zahradní nářadí uvedené na našich webových stránkách s výjimkou příslušenství nářadí, nástrojů, systémů pro skladování nástrojů a náhradních dílů, jak je dále uvedeno v části („Výrobek”), je křto dobrovolnou zárukou společnosti Techtronic Industries GmbH (TTI), a to za níže uvedených podmínek („záruka”).

Záruka se vztahuje pouze na záručníky, kteří nakupují výrobky jako koncoví uživatelé v rámci své spotřebitelské role (dále jen „spotřebitel”). Malobchodníci, půjčovny a rovněž profesionální koncoví uživatelé jsou z těchto výše uvedených podmínek záruky výslovně vyloučeni. V případě profesionálních koncových uživatelů může pro určité výrobky platit jiný typ dobrovolné záruky, je-li výslovně uvedeno na webových stránkách www.ryobitools.eu. Vyvolání této dobrovolné záruky neomezuje zákonná práva spotřebitele v případě vady.

1. Standardní záruka (dále jen „standardní záruka”) za předpokladu, že je výrobek zakoupen pouze pro soukromé použití, trvá po dobu 24 měsíců (dále jen „standardní záruční lhůta”) a začíná dnem vzniku výrobku. Toto datum musí být zdokumentováno fakturou nebo jiným dokladem o nákupu, aby byla standardní záruka platná a vymahatelná. Tato standardní záruka se vztahuje pouze na nové výrobky.

2. Spotřebitelé v některých zemích mohou mít možnost prodloužit standardní záruku na způsobilé výrobky ještě za lhůtu standardní záruky, a to registrací na webových stránkách www.ryobitools.eu. Způsobilost výrobků pro prodloužení záruky („prodloužená záruka”) je uvedena na obalu výrobku, na webových stránkách www.ryobitools.eu a/nebo je uvedena v příslušné produktové dokumentaci na adrese <https://www.ryobitools.eu>. Aby bylo možné využít výhod prodloužené záruky, musí spotřebitelé zaregistrovat své výrobky online do 30 kalendářních dnů od datu nákupu; poté budou moci čerpat výhody této prodloužené záruky. Veškeré osobní údaje spotřebitelé budou zpracovávány v souladu s prohlášením o ochraně osobních údajů, které naleznete na adrese <https://uk.ryobitools.eu/footer-links/privacy-policy/>. Potvrzení registrace, které se zasílá e-mailem, a původní faktura s datem nákupu, budou sloužit jako doklad o prodloužení záruky.

3. Standardní záruka a prodloužená záruka (dále jen „záruky”) jsou omezeny na opravu a/nebo výměnu vadného výrobku dle uvážení společnosti TTI za předpokladu, že k datu nároku existuje vada zpracovaná nebo materiálu. Nelze uplatnit žádné další náklady ani záruky. Kromě toho se záruky nevztahují na:

- žádné škody způsobené spotřebitelem náhodně, umyślně nebo z neobalosti
- žádné poškození výrobku způsobené nesprávným zacházením nebo nedostatečnou údržbou
- žádný výrobek, který byl změněn nebo upraven
- žádný výrobek, u kterého došlo k porušení, změně nebo odstranění původního identifikačního označení (ochranné známka, sériové číslo)
- žádné poškození způsobené nedodržením návodu k použití
- výrobky, které nejsou předmětem označení CE/UKCA
- žádný výrobek, který byl opraven v neautorizovaném servisním středisku nebo bez předchozího souhlasu společnosti TTI
- žádný výrobek připojený k nesprávnému zdroji napájení (ampérů, napětí, frekvence)
- žádný výrobek používaný s nevhodnou směsí paliva (paliwo, olej, poměr oleje)
- žádné poškození způsobené vnějšími vlivy (voda, působení chemikálií, fyzikální podmínky, nárazy) nebo cizorodými látkami
- běžné opotřebení a opotřebení náhradních dílů
- nevhodné použití, přetížení výrobku či výrobků
- použití neschváleného příslušenství nebo dílů
- příslušenství k elektrickým nástrojům dodávané s nástrojem nebo zakoupené samostatně. Takové výrobky, zejména sroubovací bity, vrtáky, brusné kotouče, smírkový papír a čepele, součásti podélného vedení
- (díly a příslušenství), které podléhají normálnímu opotřebení, zejména pak servisní a údržbové sady, uhlíkové kartáče, ložiska, skřídlo, nástavec nebo uchyt vrtáku SDS, napájecí kabel, pomocná rukojed, přepravní kufřík, brusná deska, prachový sáček, odváděcí trubice na prach, plstěné podložky, kočky a pružiny pro rázové utahovačky, dorazové kroužky, hnací členy, spojka, ostří nůžek na živý plot nebo nože sekačky na trávu, postroj, spojky kabel, hroty, závěsné kočky, ventilatory foukačů, foukači a odváděcí trubice, sáček vysavače a popelny, vodič liny, pávové letěty, hadice, spojovací armatury, rozprašovače trysky, kola, postřikovače trysky, vnitřní cívkové vinutí, vnější cívky, řezací linky, zapalovací svíčky, vzduchové filtry, plynové filtry, mulčovací nože apod.

4. Pro účely záručního servisu musí být výrobek (výrobky) odeslán nebo předložen bez zbytečného odkladu po výskytu nebo uznání vady zpracování nebo materiálu autoryzovanému servisnímu partnerovi společnosti RYOBI uvedenému na následujících webových stránkách <https://www.ryobitools.eu>. Spotřebitelé mohou získat služby v rámci záruky od servisního partnera RYOBI:

- a. kontaktováním prodávce, u kterého byl nákup uskutečněn; nebo
 - b. registrací prostřednictvím servisní platformy dostupné na komerční webové stránce společnosti RYOBI na adrese <https://www.ryobitools.eu>, dostupnost procesu se může lišit jednotlivých zemích ilů.
- Při oděání výrobku autoryzovanému servisnímu partnerovi společnosti RYOBI musí být výrobek bezpečně zabalen a bez nebezpečného obsahu (podrobnosti naleznete v bezpečnostních pokynech na webových stránkách <https://www.ryobitools.eu>), označen adrese oddestátelce a doplněn krátkým popisem vady. Vezměte s sebou na vědomí, že v některých zemích bude muset dodatečně uhradit poplatky za doručení nebo poštovné v souladu s místní praxí. Informace o tom, zda jsou tyto poplatky účtovány, vám poskytne místní autoryzované servisní středisko společnosti RYOBI.

5. Po oděání výrobku, který je dle spotřebitele vadný, bude výrobek zkontrolován. Když se závada potvrdí, budou poskytnuty služby dle ustanovení záruky ve formě opravy vadných dílů výrobku nebo jejich výměny za bezvadné díly, a to dle uvážení společnosti TTI. Pokud spotřebitel TTI odmítne závadu opravit nebo pokud se oprava podle uvážení společnosti TTI nezdáří, bude dodána ekvivalentní náhrada. Nahrazené výrobky nebo díly se stanou vlastnictvím společnosti TTI. Veškeré opravy nebo výměny podle výše uvedených záruk jsou zdarma. Opravy nebo výměny provedené společností TTI nezakládají nárok na prodloužení ani na nový začátek záruk. Vyměněné náhradní díly podléhají původní výrobek zárukám a záruční lhůta těchto záruk skončí lhůtu záruky, která byla původně poskytnuta na celý výrobek.

6. Záruky společnosti RYOBI uděluje společnost Techtronic Industries GmbH, Max-Eyth-Str.10, 71364 Winnenden, Německo, pouze spotřebitelé, který výrobek původně zakoupil – výrobek nesmí být převeden ani postoupen.

7. Záruky jsou platné v Evropském hospodářském prostoru (EHP), Švýcarsku a Velké Británii. Mimo tyto oblasti se obrátte na prodávce, u kterého se uskutečnil nákup, a zjistěte, zda se na výrobek nevztahuje jiná dobrovolná záruka.

AUTORIZOVANÉ SERVISNÍ STŘEDISKO

S požadavky nebo problémy týkajícími se tohoto výrobku se můžete obracet na místní pověřené servisní středisko (patř www.ryobitools.eu) nebo přímo na: Techtronic Industries GmbH, Max Eyth Straße 10, 71364 Winnenden, Germany. Uveďte výroční číslo a druh výrobku ze štítku.



HU RYOBI GARANCIA ALKALMAZÁSI FELTÉTELEI

A termék megvásárlásából eredő törvényes jogokon túlmenően és a törvényes jogok sérelme nélkül – amelyek függetlenül és térítésmentesen érvényesek –, a weboldalunkon felsorolt minden új RYOBI márkájú elektronikus szerszámra és/vagy kereti szerszámra, kivéve a szerszámtervezőket, szerszámúró rendszereket és pótkatétrészeket a továbbiakban (a „Termék” pontban) meghatározottak szerint, a Techtronic Industries GmbH (TTI) által az alábbiakban meghatározott feltételek mellett kidőlt önkéntes garancia („Garancia”) vonatkozik.

A garancia kizárólag a termék végfelhasználóját, fogyasztóját („Fogyasztó”) megvásároló vendékre vonatkozik. A kiskereskedőnek, a kölcsönző cégnek, valamint a professzionális végfelhasználók kifejezetten ki vannak zárva a garancia ezen általános feltételei alól. A professzionális végfelhasználók számára bizonyos termékek(ek) más típusú önkéntes garancia vonatkoznak, amennyiben azt a www.ryobitools.eu weboldalon kifejezetten felsoroljuk. Az önkéntes garancia igénybevétele nem korlátozza a Fogyasztó törvényes jogait meghibásodás esetén.

1. A standard garancia („Standard garancia”), feltéve, hogy a terméket kizárólag magánórára vásárolják meg, 24 hónapos időtartamú („Standard garanciaidőszak”), és a termék megvásárlásának napján kezdődik. Ezt az időpontot számlával vagy egyéb, vásárlást igazoló dokumentummal kell dokumentálni ahhoz, hogy a Standard garancia érvényes és érvényesíthető legyen. Ez a Standard garancia szintén csak az új Termék(ek) re vonatkozik.

2. Egyes országokban a fogyasztók a www.ryobitools.eu weboldalon történő regisztrációjával meghosszabbíthatják a Standard garancia időtartamát az arra jogosult termék esetében. A Termékek kiterjesztett garanciára („Kiterjesztett garancia”) való jogosultsága a termék csomagolásán, a www.ryobitools.eu weboldalon és/vagy a vonatkozó termékdokumentumokban a <https://www.ryobitools.eu> címen található. A Kiterjesztett garancia igénybevételehez a fogyasztóknak a vásárlás napjától számított 30 naptári napon belül online regisztrálniuk kell a Termék(ek) fel. A Fogyasztó minden személyes adatait az adatvédelmi nyilatkozatának megjelenés előtt közzé teszi, amely itt található: <https://uk.ryobitools.eu/footer-links/privacy-policy/>. A Kiterjesztett garancia igazolásának a regisztrációtól visszacsúszó, e-mailben kiküldött nyitva és a vásárlás dátumát feltüntető eredeti számla szolgál.

3. A Standard Garancia és a Kiterjesztett Garancia („Garanciák”) a TTI döntése szerint a hibás Termék javítására és/vagy cseréjére korlátozódik, feltéve, hogy a gyártási vagy anyaghiba a vásárlás időpontjában fennállt. További költségek vagy veszteségek megfizetése nem igényelhető. Ezen túlmenően a garancián nem vonatkoznak a következőkre:

- a Fogyasztó által véletlenül, szándékosan vagy gondatlanságból okozott kár
- a Termékben a nem megfelelő kezelés vagy a karbantartás hiánya miatt bekövetkezett kár
- bármely olyan termék, amelyet átalakítottak vagy módosítottak
- bármely olyan termék, amelyen az eredeti azonosító jelzés (védjegy, sorozatszám) lefestették, megváltoztatták vagy eltávolították
- a használati utasítás be nem tartása miatt keletkezett okozott kár
- CE/UKCA-jelöléssel nem rendelkező termékek
- bármely olyan Termék, amelyet nem hivatalos szervizközpontban vagy a TTI előzetes engedélye nélkül próbáltak megjavítani
- nem megfelelő tápegységhez csatlakoztatott termék (áramerő, feszültség, frekvencia)
- nem megfelelő üzemanyag-keverékkel (üzemanyag, olaj, olaj aránya) használt bármely termék
- külső behatások (víz, vegyszer, fizikai, áramütés) vagy idegen anyagok által okozott kár
- a pótkatétrészek normál felhasználódása
- a Termék(ek) nem rendelkezésszerű használata, túlerhőelése
- nem jóváhagyott tartozékok vagy alkatrészek használata
- a szerszámhoz mellékelt vagy külön megvásárolt elektromosszerszám-tartozékok. Ezek a kizáró feltételek érvényesek többek között a normál kopásnak és elhasználódásnak kitett csavarhúzófejek, fűrészek, csiszolókorongok, csiszolópapírok és pengék, oldalsó vezető
- komponensek (alkatrészek és tartozékok) esetében, beleértve többek között a következőket: szerviz- és karbantartási készletek, szénkefék, csapagykák, tokmány, fűrészfoglatok vagy -oldalak, tápkábel, kiegészítő fogantyú, hardtáskák, csiszolólemez, porzárk, porszívó cső, fűrészfélek, üvegszavazó csapok és rugók, adagológombok, hajtászisztek, tengelykapcsolók, sövényvágók vagy fűrészrók pengéi, heveder, fűrészlapok, fogak, csapcsapok, főváltókapcsolók, fűvő- és szűrészőcsépek, lombszívócsépek és villászi, vezeték nélküli, fűrészek, trimerek, csatlakoztathatóvillák, szűrőpisztolyok, kerékek, szűrőfejek, belső tárcsák, külső orsó, vágvonalak, gyújtógyertyák, levegőszűrők, gázzsűrők, mulcsoszközök stb.

4. A garanciális szervizeléshez a Termék(ek)et a gyártási vagy anyaghiba megjelenését vagy felismerését követően haladéktalanul el kell küldeni vagy be kell mutatni a <https://www.ryobitools.eu> weboldalon felsorolt hivatalos RYOBI szervizpartnereket valamelyikének. A fogyasztók a Garancián szerinti szolgáltatásokat egy RYOBI szervizpartnernél vehetik igénybe a következők szerint:

a. kapcsolattartófelét a kereskedővel, ahol a vásárlás történt; vagy
b. regisztráló a RYOBI kereskedővel kapcsolatban (<https://www.ryobitools.eu>) elérhető szervizplatformon keresztül, a folyamat elérhetősége országoktól eltérő lehet.

A Termékek a RYOBI hivatalos szervizpartnerektől történő elküldésekor a Termékek biztonságosan, veszélyes anyagok nélkül kell besomagolni (a részleteket lásd a <https://www.ryobitools.eu> weboldalon található biztonsági utasításokban), a feladó címevel és a hibáról leírásával ellátva. Kérjük, vegye figyelembe, hogy egyes országokban a szállítási díjakat vagy a postaköltséget a helyi gyakorlatnak megfelelően a feladónak kell megfizetnie. Kérjük, forduljon a helyi RYOBI hivatalos szervizközpontjához, hogy megbizonyosodjon arról, hogy Önre is vonatkoznak-e ezek a díjak.

5. A Fogyasztó által hibásnak vélt Termék átvetelkor megtörténik az átvizsgálás. A hibá megállapítását követően a garanciális szolgáltatások a TTI döntése szerint a termék hibás részeit javításával vagy hibátlan alkatrészekkel való cseréjével valósulnak meg. Ha a TTI elutasítja a hibá kijavítását, vagy ha a TTI mérlegelése szerint a javítás sikertelen volt, akkor egyenértékű cserelmeleket biztosít. A kiscserélt Termék(ek) vagy alkatrészek(ek) a TTI tulajdonába kerül(nek). A fenti garancián szerinti javítások/cserék ingyenesek. A TTI által végzett javítások/cserékkel nem jár együtt a Garancián meghosszabbítás vagy újrakezdés. A kiscserélt pótkatétrészek az eredetileg érvényes Garancia vonatkoznak, és a Garancián időtartama a teljes termékre eredetileg adott Garancia időtartamával ér véget.

6. A RYOBI garanciákat a Techtronic Industries GmbH (Max-Eyth-Str.10, 71364 Winnenden, Németország) kizárólag a terméket eredetileg megvásároló fogyasztóknak nyújtja, és azok nem utazhatnak át.

7. A Garanciák az Európai Gazdasági Térségben (EGT), Svájcban és az Egyesült Királyságban érvényesek. Ezeket a területeken kívül kérjük, forduljon a vásárlás helye szerinti kereskedőhöz, hogy megtudja, érvényes-e a termékére más önkéntes garancia.

HIVATALOS SZERVIZKÖZPONT

Ha bármilyen kérelme vagy problémája van a termékkel kapcsolatban, forduljon a helyi hivatalos szervizközpontjához (látogasson el a www.ryobitools.eu oldalra), vagy közvetlenül ide: Techtronic Industries GmbH, Max Eyth Straße 10, 71364 Winnenden, Germany. Adja meg a címére nyomatott sorozatszámát és terméktípusát.

RO CONDIȚII DE APLICARE A GARANȚIEI RYOBI

În plus față de orice drepturi stabilite care decurg din achiziționarea unui produs și fără a aduce atingere drepturilor stabilite care se aplică în mod independent și separat, toate uneltele electrice și/sau uneltele de grădini noi marca RYOBI enumerate pe site-ul nostru web, cu excepția accesoriilor pentru unelte, a sistemelor de depozitare a uneltilor și piesele de schimb, așa cum sunt descrise în continuare la „Produs”, sunt acoperite de o garanție voluntară emisă de Techtronic Industries GmbH („TTI”), conform termenilor și condițiilor menționate mai jos („Garanție”).

Garanția se aplică numai cumpărătorilor care achiziționează produsele ca utilizatori finali în calitate de consumatori („Consumator”). Comercianții cu amănuntul, companiile de închiriere, precum și utilizatorii finali profesioniști sunt excluși în mod expres din acțiunile noastre și condiții generale ale Garanției. Pentru utilizatorii finali profesioniști, se poate aplica un alt tip de garanție voluntară amănuntului produse, dacă este prevăzută în mod explicit pe site-ul www.ryobitools.eu. Înlocuirea acestei Garanții voluntare nu limitează drepturile legale stabilite ale Consumatorului în cazul unui defect.

1. Garanția standard („Garanția standard”), cu condiția ca produsul să fie achiziționat numai pentru uz privat, are un termen de 24 de luni („Perioada de garanție standard”) și începe la data achiziționării produsului. Această dată trebuie să fie documentată printr-o factură sau altă dovadă de cumpărare pentru ca Garanția standard să fie valabilă și aplicabilă. De asemenea, această Garanție standard se aplică numai Produselor noi.

2. Consumatorii din anumite țări pot prelungi Garanția standard pentru Electrobate eligibile dincolo de perioada Garanției standard, prin înregistrarea pe site-ul www.ryobitools.eu. Eligibilitatea Produselor pentru garanție extinsă („Garanția extinsă”) este specificată pe ambalajul unui Produs, pe site-ul www.ryobitools.eu și în ceea ce privește în documentația relevantă a Produsului la <https://www.ryobitools.eu>. Pentru a beneficia de Garanția extinsă, Consumatorii sunt obligați să își înregistreze Produsul(e) online în termen de 30 de zile calendaristice de la data achiziției. Toate datele cu caracter personal ale unui Consumator vor fi prelucrate în conformitate cu declarația de confidențialitate, care poate găsiți aici <https://uk.ryobitools.eu/footer-links/privacy-policy-4/>. Chitanța de înregistrare a înregistrării, care este trimisă prin e-mail, și factura originală care arată data achiziției vor servi drept dovadă a Garanției extinse.

3. Garanția standard și Garanția extinsă („Garanții”) sunt limitate la repararea și/sau înlocuirea Produsului defect, la discreția TTI, cu condiția ca defectul să manoperează sau material să fi existat la data achiziției. Nu pot fi preluate alte costuri sau pierderi. În plus, garanțiile nu se aplică:

- oricăror daune cauzate accidental, volt sau neajutor de către Consumator
- oricărei deteriorări a Produsului care este rezultatul unui tratament necorespunzător sau al lipsei de întreținere
- oricărui Produs care a fost alterat sau modificat
- oricărui Produs la care marcasele de identificare originale (marca comercială, numărul de serie) au fost deteriorate, alterate sau îndepărtate
- oricăror daune cauzate de nerepectarea manualului de instrucțiuni
- Produselor care nu sunt supuse unui marcaj CE/UKCA
- oricărui Produs pentru care s-a încercat repararea de către un centru de service neautorizat sau fără autorizarea prealabilă a TTI
- oricărui Produs conectat la o sursă de alimentare necorespunzătoare (amperi, tensiune, frecvență)
- oricărui Produs folosit cu un amestec de combustibil inadecvat (combustibil, ulei, raport de ulei)
- oricăror daune cauzate de influențe externe (apă, substanțe chimice, forțe fizice, șocuri) sau substanțe străine
- uzului normal a pieselor de schimb
- utilizării necorespunzătoare, suprasolicității Produsului(elor)
- utilizării de accesorii sau piese neomologate
- accesorilor pentru unelte electrice furnizate împreună cu uneltele sau achiziționate separat. Astfel de accesorii includ, dar fără a se limita la, capace de surubelniță, burghie, discuri abrazive, hârtie abrazivă și lame, ghidaje laterale
- componente (piese și accesorii) care sunt supuse uzului normal, inclusiv, dar fără a se limita la, truse de reparare și întreținere, perii de carbon, rulmenți, mandrină, etanșament sau receptacul pentru burghie SDS, cablu de alimentare, mâner auxiliari, cutie de transport, placă de șlefuit, sac de praf, tub de evacuare a aerului, șabla de tăiere, șifon și ancuri pentru masini de înșurubat cu impact, butonare rotative, curele de transmisie, ambrazii, lame pentru mașini de tuns grădini sau mașini de tuns iarba, accelerație prin cablu, diști, șifonuri de captare, ventilatoare de suflantă, tuburi de suflantă și de aspirator, sac și curele de aspirator, bare de ghidare, lanțuri de ferăstrău, furcuni, racorduri de conectare, duze de pulverizare, roți, baghete de pulverizare, bobine interioare, bobine exterioare, fire de tăiere, buții, filtre de aer, filtre de gaz, lame de mănunchi etc.

4. Pentru reparații în garanție, Produsul(e) trebuie să fie trimis sau prezentat fără întârziere nejustificată după apariția sau recunoașterea defectului de manopere sau de material unui partener de service autorizat RYOBI enumerat pe următorul site web <https://www.ryobitools.eu>. Consumatorii pot obține servicii conform Garanțiilor de la un partener de servicii RYOBI prin

- a. contactarea comerciantului cu amănuntul de unde a fost făcută achiziția; sau
 - b. înregistrarea prin intermediul platformei de service disponibilă pe pagina web comercială RYOBI <https://www.ryobitools.eu>, disponibilitatea procesului poate varia de la o țară la alta.
- Când trimiteți un Produs către un partener de service autorizat RYOBI, Produsul va fi ambalat în siguranță, fără conținut periculos (pentru detalii, consultați instrucțiunile de siguranță de pe site-ul www.ryobitools.eu), marcat cu adresa expeditorului și însoțit de o scurtă descriere a defectului. Retineți că, în unele țări, taxele de livrare sau taxele postale vor trebui plătite de către expeditor, conform practicii locale. Consultați centrul de service local autorizat RYOBI pentru a confirma dacă se aplică astfel de taxe.

5. La primirea Produsului prețuri de către Consumator a fi în defect, acesta va fi inspectat. Când defectul a fost confirmat, servicii conform Garanțiilor vor fi furnizate prin repararea pieselor defecte ale produselor sau înlocuirea acestora cu piese defecte, la discreția TTI. Dacă TTI refuză să repare defectul sau dacă, la discreția TTI, reparația a eșuat, va fi furnizată un înlocuitor echivalent. Produsul(e) sau piesele înlocuite vor deveni proprietatea TTI. Orice reparații/inlocuiri conform Garanțiilor de mai sus este gratuită. Reparații/inlocuiri efectuate de TTI nu constituie o prelungire sau un nou început al Garanțiilor. Piesele de schimb înlocuite sunt supuse Garanțiilor acordate inițial, iar perioada pentru Garanție se va încheia cu perioada pentru Garanția care a fost acordată inițial pentru întregul produs.

6. Garanțiile RYOBI sunt acordate de Techtronic Industries GmbH, Max-Eyth-Str.10, 71364 Winnenden, Germania, numai Consumatorului care a achiziționat inițial Produsul și nu pot fi transferate sau cesionate.

7. Garanțiile sunt valabile în Spațiul Economic European (SEE), Elveția și Regatul Unit. În afara acestor zone, va rugăm să contactați comerciantul de unde a fost făcută achiziția pentru a afla dacă se aplică o altă garanție voluntară.

CENTRU DE SERVICE AUTORIZAT

Orice întrebare sau problemă în legătură cu produsul se poate adresa la centrele locale autorizate de service (vizitați www.ryobitools.eu) sau direct la: Techtronic Industries GmbH, Max Eyth Straße 10, 71364 Winnenden, Germany. Vă rugăm să specificați numărul de serie și tipul de produs tipărite pe etichetă.



LV RYOBI GARANTIJAS PIEMĒROŠANAS NOSACĪJUMI

Papildus visām likumā noteiktajām tiesībām, kas izriet no produkta iegādes, un neietekmējot likumā noteiktās tiesības, kas tiek piemērotas neatkarīgi un bez maksas, visiem RYOBI zīmola elektroniskiem un/vai dārzā izstrādātiem, kas norādīti mūsu tīmekļa vietnē, izņemot instrumentu piederumu, instrumentu glabāšanas sistēmas un rezerves daļas, kā detalizēti izskaidrots tālāk ("Produkts"), tiek piemērotas brīvprātīga garantija, ko izsniedz Technic Industries GmbH (TTI) atbilstoši tālāk minētajiem noteikumiem un nosacījumiem ("Garantija").

Garantija tiek piemērota tikai pirmajam(-iem), kurš(-i) iegādājās produktus kā gala lietotājus savā patērētāja lomā ("Patērētājs"). Mazumtirgotāji, nomas uzņēmumi un profesionālie gala lietotāji ir tiešā veidā izslēgti no šīs Garantijas vispārējām noteikumiem un nosacījumiem. Profesionāliem gala lietotājiem noteiktie produkti var būt piemērojama cita veida brīvprātīga garantija, ja tas ir tiešā veidā norādīts vietnē www.ryobitools.eu. Šīs brīvprātīgās Garantijas izmantošana neietekmē likumā noteiktās Patērētāja juridiskās tiesības defekta gadījumā.

1. Ja Produkts ir iegādāts tikai privātai lietošanai, standarta garantijas ("Standarta garantija") termiņš ir 24 mēneši ("Standarta garantijas periods"), un tās darbība tiek sāka produkta iegādes datumā. Šis datums ir jādokumentē, izsniedzot rēķinu vai citu pierādījumu, lai Standarta garantija būtu derīga un izmantojama. Šī Standarta garantija tiek piemērota arī jauniem Produktiem.

2. Dažās noteiktās valstīs patērētājiem var būt iespēja pagarināt Standarta garantiju atbilstošiem Produktiem pēc Standarta garantijas perioda beigām, reģistrējoties vietnē www.ryobitools.eu. Produktu piemērotība pagarinātajai garantijai ("Pagarinātā garantija") tiek norādīta uz Produkta iepakojuma, vietnē www.ryobitools.eu un/vai iekļauta atbilstošā Produkta dokumentācijā vietnē <https://www.ryobitools.eu>. Lai varētu izmantot Pagarināto garantiju, Patērētājiem ir jāreģistrē Produkts tiešsaistē 30 kalendārā dienu laikā pēc produkta datuma. Visa Patērētāja personas informācija tiks apstrādāta saskaņā ar privātuma paziņojumu, kas pieejams šeit: <https://uk.ryobitools.eu/footer-links/privacy-policy/>. Reģistrācijas apstiprinājums, kas, tiek nosūtīta e-pasta ziņojumā, un oriģinālā kvīts ar produkta datumiem tiek izmantoti kā Pagarinātās garantijas apliecinājums.

3. Standarta garantija un Pagarinātā garantija ("Garantijas") nodrošina tikai defektīvu Produkta labošanu un/vai nomaiņu pēc TTI ieskatiem, ja ražošanas vai materiālu defekts pastāvējis produkta datumā. Nevar pieprasīt atbilstoši citās izmaksas vai zaudējumus. Turklāt Garantijas neattiecas uz:

- Patērētāja neapūti, tīši vai nolaidības dēļ izraisīto bojājumu gadījumā
- Produkta bojājumiem, kas radušies neatbilstošas apsešanās vai apkopes neveikšanas dēļ
- ja Produkts ir mainīts vai modificēts
- ja Produkta oriģinālās identifikācijas zīmes (preču zīme, sērijas numurs) ir aizkrāsotas, mainītas vai noņemtas
- ja bojājumi izraisījuši rīcība, kas nav saskaņā ar lietošanas rokasgrāmatu
- ja uz Produktiem neatbilst CE/UKCA marķējums
- ja Produkts mēģinājis remontēt nepilnvarots apkopes centrs vai bez TTI iepriekšējas atļaujas
- ja Produktam zveidots savienojums ar neatbilstošu barošanas avotu (ampēri, spriegums, frekvence)
- ja Produkts izmantots uz degvielas maisījumu (degviela, eļļa, eļļas atliecība)
- ja bojājumi izraisījuši ārēja ietekme (dzens, ķīmiskas vielas, fiziska ietekme, triecieni) vai nepiederošas vielas
- rezerves daļu normālam nodilumam
- ja Produkti ir lietoti neatbilstoši vai ietm radīta pārslogošana
- ja izmantoti neapstiprināti piederumi vai daļas
- elektroniskiem piederumiem, kas iekļauti instrumentu komplektācijā vai iegādāti atsevišķi. Šādi izņēmumi ir (bet ne tikai) skrūvjuvērzi uzgaļi, urbuji uzgaļi, abrazīvie diski, smilšspēris un asmeņi, sānu vadotne
- komponentiem (daļām un piederumiem), uz kuriem attiecas normāls nodilums, tostarp (bet ne tikai) servisa un apkopes komplektācija, ogles sukaņi, gultņiem, stiprināšanas plāte, SDS urbuja uzgaļa stiprinājumiem vai ligzdai, barošanas vadam, paplūdi rokturim, pārnēsāšanas futrālim, slīpēšanas plātei, puteļu maisījumam, puteļu uzturēta caurulei, filtra starplikam, trimēšanasuzrēzētājslēgas tapam un aspherēm, iedziņu pogām, piedziņas sūkšanā, sajūgam, dzīvzoga šķēru vai zāles gļāvēju asmeņiem, uzkaibe, kabēļa droselei, statnē, sakabes tapām, pūšēju ventilatoriem, pūšēju un sūkšanas caurulēm, sūkšanas maisinam un sūkšanā, vadotnēm, zāģu ķēdēm, šūtenēm, savienotāju stiprinājumiem, smidzināšanas sprauslām, riteniem, smidzināšanas zāģiem, iekšējām spūlēm, ārējiem spūlēm, griešanas līnijām, azidziedes svečiem, gaisa filtrēm, gāzes filtrēm, smalcinātāja lāpstiņām u.c.

4. Lai veiktu garantijas apkopi, Produktus (-i) pēc ražošanas vai materiālu defekta rašanās vai atpazīšanas jānosūta vai jāuzrādā bez nepamatotas kavēšanas pilnvarotam RYOBI servisa partnerim, kas norādīts vietnē <https://www.ryobitools.eu>. Patērētājs var saņemt Garantijas iekļautos Pakalpojumus no RYOBI servisa partnera:

- a. sazinoties ar mazumtirgotāju, pie kura veikts pirkuks;
- b. reģistrējoties servisa platformā, kas pieejama RYOBI Commercial vietnē <https://www.ryobitools.eu/>; procesa piemējamā dažādās valstīs var atšķirties.

Nosūtīto Produktu pilnvarotam RYOBI servisa partnerim, Produkts tiek droši iesaiņots, nepievienojot blīstamu saharu (detalizēti informāciju skatiet drošības norādēs vietnē <https://www.ryobitools.eu>), apzīmēts ar sūtītāja adresi, un tam jāpievieno šīs defekta apraksts. Nemiet deris, ka dažās valstīs ir pieejamas izmaksas vai pasta izdevumi jāpamaksā sūtītājam atbilstoši vietējai praksi. Konsultējieties ar vietējo pilnvaroto RYOBI apkopes centru, lai noskaidrotu, vai ir spēkā šādas izmaksas.

5. Saņemot Produktu, ko Patērētājs uzskata par defektīvu, tas tiek pārbaudīts. Kad defekta esamība ir apstiprināta, tiek nodrošināta Garantija iekļautie pakalpojumi, remontējot produktu defektīvās daļas vai tās nomaiņot pret daļām, kas nav defektas; tas tiek veikts pēc TTI ieskatiem. Ja TTI atsauc remonēt defektu vai pēc TTI ieskatiem, remonts ir nesekmīgs, tiek piegādāts līdzīgās funkcionālas elements. Nomaīnītais(-ie) Produkts(-i) vai daļā(-s) jānodrūp TTI īpašumu. Visi remonti/nomaīna saskaņā ar iepriekš minētajām Garantijām tiek veikta bez maksas. TTI veiktas remonti/nomaīna nenozīmē, ka Garantijas tiek pagarinātas vai sāktas no jauna. Uz nomaīnītajām rezerves daļām attiecas sākotnējās Garantijas, un Garantiju periods beidzas līdz ar tās Garantijas periodu, kas sākotnēji piešķirta visam produktam.

6. RYOBI Garantijas nodrošina uzņēmums Technic Industries GmbH, Max-Eyth-Str.10, 71364 Winnenden, Vācija, kura Patērētājam, kurš sākotnēji iegādājās Produktu, un tās nevienam neatdod vai piešķir.

7. Garantijas ir derīgas Eiropas Ekonomikas zonā (EEZ), Šveicē un Apvienotajā Karalistē. Ārpus šīm zonām sazinieties ar mazumtirgotāju, pie kura veikts pirkuks, lai noskaidrotu, vai ir spēkā citas brīvprātīgās garantijas.

PILNVAROTĀS SERVISAS CENTRS

Ar jebkuru pieprasījumu vai problēmu, kas saistīta ar produktu, var vērsties Jūsu vietējā pilnvarotajā servisa centrā (apkārtēji www.ryobitools.eu) vai tieši pie: Technic Industries GmbH, Max Eyth Straße 10, 71364 Winnenden, Germany. Lūdzu, norādiet sērijas numuru un produkta tipu, kas norādīts uz etiķetes.

LT „RYOBI“ GARANTIJOS TAIKYMO SĄLYGOS

Be visų įstatymuose numatytų teisių, atsirandančių įsigijus gamini, ir nepažeidžiant įstatymuose numatytų teisių, kurios taikomos savarankiškai ir nemokamai, visiems RYOBI ženklo elektriniams įrankiams ir (arba) sodo įrankiams, išskyrus įrankių priedus, įrankių laikymo sistemas ir atsargines dalis, kaip toliau aprašyta toliau – Gaminyms), taikoma „Technic Industries GmbH (toiau – TTI) suteikiama savanoriška garantija pagal toliau nurodytas sąlygas (toiau – Garantija).

Garantija taikoma tik pirkuėjui (-ams), kuris (-i) gaminius įsigyja kaip galutinį vartotoją (toiau – Vartotojas). Mažmenininkams, nuomos bendrovėms ir profesionaliems galutiniais naudotojais šios bendrosios Garantijos sąlygos aiškiai netaikomos. Profesionalieji galutiniais naudotojais tam tikram (-iems) gaminiui (-iams) gali būti taikoma kitokia tipo savanoriška garantija, jei tai aiškiai nurodyta svetainėje www.ryobitools.eu. Nauduojamasis šia savanoriška Garantija nepaėribo teisės aktose numatyti Vartotojo teisių defekto atveju.

1. Standartinė garantijos (toiau – Standartinė garantija), jei Gaminys įsigytas tik asmeniniam naudojimui, terminas yra 24 mėnesiai (toiau – Standartinės garantijos laikotarpis) ir prasideda gaminio įsigijimo diena. Ši data turi būti patvirtinta sąskaita faktūra arba kitu pirkuio įrodymu, kad Standartinė garantija galiotų ir būtų vykdoma. Ši Standartinė garantija taip pat taikoma tik naujam (-iems) Gaminiumi (-iams).

2. Tam tikrų šalių vartotojai, užsiregistravę interneto svetainėje www.ryobitools.eu, gali pralėsti Standartinės garantijos galiojimą tinkamiems Gaminiams Ilgesniam nei Standartinės garantijos laikotarpiui. Informacija apie tai, ar Gaminiams gali būti taikoma pratęsta garantija (toiau – Pratęsta garantija), nurodyta ant Gaminio pakuotės, interneto svetainėje www.ryobitools.eu ir (arba) atitinkamame Gaminio dokumentuose adresu <https://www.ryobitools.eu>. Norėdami pasinaudoti Pratęsta garantija, Vartotojai turi užregistruoti savo Gaminį (-ius) internetu per 30 kalendorinių dienų nuo įsigijimo dienos. Visa Vartotojo asmėninė informacija bus tvarkoma pagal privatumo pareiškimą, kurį galima rasti ad <https://uk.ryobitools.eu/footer-links/privacy-policy/>. Registracijos patvirtinimo klausimais, kuriais išsiaiškinti e. paštu, ir originali sąskaita faktūra, kurioje nurodyta pirkuio data, yra Pratęstos garantijos įrodymas.

3. Standartinė garantija ir Pratęsta garantija (toiau – Garantijos) apsirboja sėgudusio Gaminio remontu ir (arba) pakeitimu TTI nuožūra, su sąlyga, kad gamybos ar medžiagos defektas buvo pirkuio diena. Negalima reikalauti jokių papildomų išlaidų ar nuostolių. Garantijos taip pat netaikomos:

- bet kokiai žalai, kuria Vartotojas padarė atsitiktinai, tyčia ar dėl neatsargumo
- bet kokiai Gaminio žalai, atsiradusiai dėl netinkamo egiavimo su Gaminiumi ar nepakankamos priežiūros
- jokiam pakeisiam ar modifikuotam Gaminiumi
- jokiam Gaminiumi, kurio originalūs identifikavimo ženklai (prekės ženklai, sėrijos numeris) buvo sugadinti, pakeisti ar pašalinti
- bet kokiai žalai, atsiradusiai dėl to, kad nesilaikoma naudojimo instrukcijos
- Gaminiams, kurie nėra paženklinę CE/UKCA marķėjumais
- jokiam Gaminiumi, kurį buvo bandoma remontuoti negaliojantame techninėms priežiūros centre arba be išankstinio TTI įgaliojimo
- jokiam Gaminiumi, prįjungtam prie netinkamo maitinimo šaltinio (ampėrų, lėmpos, dažnio)
- jokiam Gaminiumi, naudojamam su netinkamu degalų mišiniu (degalai, alyva, alieju santykis)
- bet kokiai žalai, atsiradusiai dėl išorinio poveikio (vandens, cheminių medžiagų, fiziniu poveikiu, smūgiu) ar pašalinii medžiagu
- įprastam atsarginių dalių nusidėvimui
- netinkamam naudojimui, gaminio (-ių) perkrovai
- naudojant nepatvirtintus priedus ar dalis
- elektrinių įrankių priedams, pateikiamiems kartu su įrankiu arba įsigijamiems atskirai. Tokios išimty, įskaitant, bet neapsirbojant, apima atsuktuvai, angalius, gražuš, šilfavimo diskus, šilfavimo popierių ir ašmenis, šonines kreipiamąsias
- komponentams (dalims ir priedams), kurie paprastai susidėvi, įskaitant, bet neapsirbojant, aptamavimo ir priežiūros rinkinius, anglius šepetius, guolius, griebtuvą, SDS gražo priedą arba laikiklį, maitinimo laidą, papildomą rankena, transportavimo dėklą, šilfavimo plokštę, dukiū maišelį, dukiū išmetimo vamzdelį, veltnio poveržles, smūginio veržiarakio kaišius ir spyruokles, smūginės ranklenės, pavaro diržus, sankabą, gyvatvėrū žiūkį arba veļėpjuvii peilius, diržus, sakabę droselei, dantis, prikabinimo kaišius, pūšimo ventilatorius, pūšimo ir surbimo vamzdelius, surbimo maišelį ir dirželius, kreipiamąsias juostas, plūkiū grandines, žarnas, jungtus, purkštukus, ratus, purškimo lazdeles, viknes riles, išorines riles, pjovimo linijas, uždėgimo žvakės oro filtrus, dujų filtrus, muļėdavimo peilius ir t. t.

4. Norint gauti garantinį aptarnavimą, Gaminys (-iai) turi būti išsūstas (-i) arba pakeistas (-i) nedelsiant po to, kai atsirado arba buvo pastebėtas gaminio ar medžiagos defektas, galiojant RYOBI aptarnavimo partneriui, nurodytam šioje svetainėje <https://www.ryobitools.eu>. Vartotojai gali gauti Garantijoje numatytas paslaugas iš RYOBI aptarnavimo partnerio

- a. kreipdamiesi į mažmenininką, kuriame buvo įsigyta prekė; arba
- b. užsiregistravę paslaugų platformoje, kurią galima rasti RYOBI komerciniame tinklalapyje <https://www.ryobitools.eu/>. Šio proceso priimanamas įvairiose šalyse gali skirtis.

Sunūcijiant Gaminį įgaliojant RYOBI aptarnavimo partneriui, Gaminys turi būti saugiai supakuotas be pavojingo turinio (išsėsmės informacijos rašytas saugios instrukcijos svetainėje <https://www.ryobitools.eu/>), pažymėtas turinio adresu ir kartu su trumpu defekto aprašymu. Atmintinė, kad kai kuriose šalyse pristatymo mokesčiai arba pašto išlaidas turi sumokėti sūntįtas pagal vietos praktiką. Norėdami sužinoti, ar tokie mokesčiai taikomi, kreipkitės į vietinį įgaliojantį RYOBI techninės priežiūros centrą.

5. Gavus Gaminį, kuris, Vartotojo teigimu, turi defektų, jis bus patikrintas. Patvirtinus defektą, paslaugos pagal Garantijas bus teikiamos taisant sugedusias gaminių dalis arba keičiant jas nesugedusiomis dalimis TTI nuožūra. Jei TTI atsisako taisyti defektą arba, TTI nuožūra, remontas nepavyko, bus pateiktas lygiavertis pakaitalas. Pakeistas (-ai) Gaminys (-i) arba (j) dalis (-ys) taps TTI nuosavybe. Bet koks (-i) remontas (-ai) ir (arba) pakeitimas (-ai) pagal pirmiau nurodytas Garantijas yra nemokamas (-i). TTI atliktas (-i) remontas (-ai) ir (arba) pakeitimas (-ai) nereikšia, kad Garantijos pratęsimas arba pradėdamas taisyti iš naujo. Pakeistoms atširinėms dalims taikomos iš pradžių suteiktos Garantijos, o Gaminio laikotarpis baigiasi kartu su Garantijos, kuris iš pradžių buvo suteiktas visam Gaminiumi, laikotarpiu.

6. „Technic Industries GmbH“, Max-Eyth-Str.10, 71364 Winnenden, Vokietija, RYOBI Garantijas suteikia tik Vartotojui, kuris iš pradžių įsigijo Gaminį, ir jį negalima perduoti ar perleisti.

7. Garantijos galioja Europos ekonominėje derėe (EEĖ), Šveicarijoje ir Jungtinėje Karalystėje. Už šių teritorijų ribų kreipkitės į mažmenininką, kur pirkinys buvo įsigytas, kad sužinotumėte, ar taikoma kita savanoriška garantija.

ĮGALIOJATASIS TECHINIS PRIEŽIŪROS CENTRAS

Jei turite kokių nors pagėdavimų ar problemų, susijusių su šiuo gaminiu, galite kreiptis į artimiausią įgaliojantį techninės priežiūros centrą apsilankydami www.ryobitools.eu arba tiesiogiai: Technic Industries GmbH, Max Eyth Straße 10, 71364 Winnenden, Germany. Nurodykite etiketėje išspausdinatą sėrijos numerį ir gaminio tipą.

ET RYOBI GARANTII KOHALDAMISE TINGIMUSED

Lisaks toote ostust tulenevatele seadusjärgsetele õigustele, piiramata sõtomatult ja tasuta kohaldatavaid seadusjärgseid õigusi, kehtib kõikidele meie veebisaidil loetletud uutele RYOBI kaubamärgiga elektril- ja/või aabitoristadele, välja arvatud tööriistade tarvikutele, tööriistade hooldamise süsteemidele ja varuosadele, nagu allpool täpsustatud, (edaspidi „tooted“) vabatahtlik garantiid, mille andja on Techtronic Industries GmbH („TTI“) ning mille suhtes kehtivad alalool esitatud tingimused („garantiid“).

Garantiid saavad kasutada üksnes ostjad, kes ostavad tooteid lõppkasutajatele tarbijatena („tarbijad“). Käesolevate garantiid üldtingimuste kohaldamine jäämüüjate, renditeelsete ja kutseliste lõppkasutajate suhtes on selgesõnaliselt välistatud. Kutseliste lõppkasutajate puhul võib teatud toodetele kehtida teistsugune vabatahtlik garantiid, kui seda on veebisaidil www.ryobitools.eu selgesõnaliselt nimetatud. Selle vabatahtliku garantiid kasutamine ei piira tarbijate seadusjärgseid õigusi seoses puudusega.

1. Standardse garantiid („standardne garantiid“) kehtivusega 24 kuud („standardne garantiid“), tingimused et toode osteti üksnes sihtlikult otstarbel kasutamiseks, ning see algab teatud tootmise kuupäevast. Standardne garantiid on kehtiv ja kasutatav üksnes tingimused, et nimetatud kuupäev on dokumenteeritud arvel või muul osu tõendaval dokumendil. Lisaks kehtib standardne garantiid ainult uutele toodetele.

2. Teatud riikides võib klientidel olla võimalik pikendada sobivate toodete standardset garantiid üle standardse garantiid, kui nad registreeruvad veebisaidil www.ryobitools.eu. Teave toote sobivuse kohta garantiid pikendamiseks („pikendatud garantiid“) on esitatud toote pakendil, veebisaidil www.ryobitools.eu ja/või vastavates tootekomplektides, mis on leitavad aadressilt <https://www.ryobitools.eu>. Pikendatud garantiid saamiseks peavad tarbijad registreerima toote(d) veebis 30 kalendripäeva jooksul alates ostu kuupäevast. Kõiki tarbijate isikuandmeid töödeldakse kooskõlas privaatsusvaldusega, mis on leitav aadressilt <https://www.ryobitools.eu/privacy-policy>. Pikendatud garantiid tõendusdokumendina kasutatakse e-postiga saadetud registreerimise kuupäev ja algset arvel, millel on näha ostu kuupäev.

3. Standardse ja pikendatud garantiid („garantiid“) alusel pakutakse üksnes vigase toote parandamist ja/või asendamist TTI äranägemisel, tingimused et kooste- või materjaliviga oli olemas juba ostu kuupäeval. Mingi muu kulu või kahju hüvitamist nõuda ei saa. Lisaks ei kehti garantiid järgmise suhtes:

- tarbija poolt juhuslikult, tahtlikult või hooletuselt põhjustatud kahjustusi
- toode kahjustus, mis on tingitud valesti käsitsemisest või hooldamata jätmisest
- teisendatud või ümber ehitatud toode
- toode, mille algne identifitseerimisnumber (kaubamärk, seerianumber) on rikutud, muudetud või eemaldatud
- kahjustus, mille on põhjustanud kasutusjuhendi juhiste eiramine
- toode, millel puudub CE/UKCA märgis
- toode, mida on ühendatud parandada tunnustamata hoolduskeskuses või ilma TTI eelneva loata
- toode, mis on ühendatud sobimatute omadustega (voolutugevus, pinge, sagedus) vooluliiklaga
- toode, millele kasutatakse sobimatut kütuseosaga (küüsi, õli, õli osakaal)
- väliste mõjuri (vesi, kemikaal, füüsilise jõud, löög) või võrkehate põhjustatud kahju
- varuosade tavapärase kulumine
- toote lubamatu kasutamine või ülekoormamine
- heakskiitmata tarvikute või osade kasutamine
- tööriista gasas ohtud või eraldi oestatud tarvikud elektritööriistadele. Käesolev välistus hõlmab muu hulgas kruvikeeraja otsakuid, puuterisid, abrasiivsetaid, lihvapaberit, terasid ja külgühikuid
- tavapäraselt otsakud (varuosad ja tarvikud), kaasa arvatud remondi- ja hoolduskomplektid, süsinikharijad, laagrid, padrun, SDS-trelli otsakukinnitus või -pesa, tõieterjed, isakäikõri, kandekohver, lihvlaat, tolmukott, tolmur äraühendamise voolik, viitsetide, lõõmutvõtmehõivid ja vedrud, otsakupüüd, ajamihamb, sidur, kehtrimerite või muruniidukite terad, rakmed, kaabliõri, hambad, haakekonksu poldid, puhurventilaatorid, puhuri ja tolmumeja kott ja riimad, juhtliidid, saeketid, voolikud, ühendusliitmikud, puhustussikud, rattad, puhustussared, sisemised rullid, välsed poldid, löökõhvihõiv, süitekünnid, õhufiltrid, gaasifiltrid, mültiterjed jne.

4. Garantiitteeninduse saamiseks tuleb toode pärast kooste- või materjaliviga ilmumist või avastamist ilma põhjendamatult viivituseta saata või üle anda mõnele aadressil <https://www.ryobitools.eu> loetletud RYOBI tunnusatud hoiduspoleerile. Garantiid alusel RYOBI hoiduspoleerit teenuste saamiseks tarbijad

- a. võtavad ühendust jäemüüjikohtaga, kus ost sooritati, või
- b. registreeruvad RYOBI kaubanduslikul veebisaidil <https://www.ryobitools.eu> pakutava teenuseplatvormi kaudu, selle protsessi kasutatavus võib olevalt riigist erineda.

RYOBI tunnusatud hoiduspoleerile saadetav toode peab olema ohutult pakendatud ilma ohtliku sisuta (täpsemat teavet leiate aadressilt <https://www.ryobitools.eu> ohutusjuhiste alt), sellele peab olema märgitud saaja aadress ning lisatud puuduse lühike kirjeldus. Pange tähele, et mõnes riigis peab saaja vastavalt kohalikele tavadele tasuma saatmise või postilüühe eest. Küsite seliste tasude kohta teavet kohalikul RYOBI tunnusatud hoolduskeskusest.

5. Pärast tarbija väliste vigase toote kättesaamist seda kontrollitakse. Kui vae esinemine leiab kinnitust, siis garantiitteenuste raames toode vigased osad TTI äranägemisel kas parandatakse või asendatakse tervete osadega. Kui TTI keeldub vae parandamisest või parandamine ole TTI hinnangu kohaselt õnestunud, kasutatakse sarnasväärtist asendust. Asendatud toode või osa muutub TTI omadiks. Eespool esitatud garantiid alusel tehtavad parandustööd asendused on tasuta. TTI tehib parandustööd asendused ei loo alust garantiid pikendamiseks ega garantiid alusel arvelduse uuesti alustamiseks. Asendatud varuosade suhtes kehtivad algselt antud garantiid ning nende garantiid kehtivus lõpeb kogu tootele algselt antud garantiid lõppemisega.

6. Ettevete Techtronic Industries GmbH (Max Eyth-Str.10, 71364 Winnenden, Saksamaa) annab RYOBI garantiid ainult toote algselt ostnud tarbijale ning need ei ole lubatud võõrandada ega loovutada.

7. Garantiid kehtivad Euroopa Majanduskoostööd (EMP), Šveitsis ja Ühendkuningriigis. Muudes piirkondades palume küsida toote algselt ostnud tarbijalt selle kohta, kas kohaldatakse mõnda muud vabatahtlikku garantiid.

TUNNUSTATUD HOOLDUSKESKUS

Tooteaga seotud päringute või probleemide korral pöörduge kohaliku volitatud hoolduskeskuse poole (vt www.ryobitools.eu) või otse aadressile: Techtronic Industries GmbH, Max Eyth Straße 10, 71364 Winnenden, Germany. Märkige ära siidi ole seerianumber ja toote tüüp.

HR UVJETI ZA PRIMJENU JAMSTVA ROBNE MARKE RYOBI

Osım svih zakonskih prava koja proiziaze iz kupovine proizvoda i ne dovodeći u pitanje zakonska prava koja se primjenjuju neovisno i besplatno, svi su novi alati i/ili vrtni alati robe marke RYOBI navedeni na našem web-mjestu, ne uključujući dodatke za alat, sustave za skladištenje alata i rezervne dijelove, kao što je u nastavku navedeno („Proizvod“), pokriveni dobrovoljnim jamstvom koje pruža Techtronic Industries GmbH („TTI“), potložnom odredbama i uvjetima navedenim u nastavku („Jamstvo“).

Jamstvo se odnosi isključivo na kupce koji kupu proizvode kao krajnji korisnici u lozi kupovine („Potrošač“). Proizvođač, tvrtke za iznajmljivanje, kao i profesionalni krajnji korisnici izričito su izostavljeni iz ovih općih odredbi i uvjeta Jamstva. Za profesionalne krajnje korisnike može se primijeniti drugačija vrsta dobrovoljnog jamstva za određene proizvode ako je ono izričito navedeno u web-mjestu www.ryobitools.eu. Prizivanje ovog dobrovoljnog jamstva ne ograničava zakonska prava Potrošača na službu oštećenja.

1. Standardno jamstvo („Standardno Jamstvo“), ako je Proizvod kupljen isključivo za privatnu upotrebu, ima razdoblje trajanja od 24 mjeseca („Razdoblje Standardnog jamstva“) i valjano je od datuma kupovine proizvoda. Taj datum mora biti dokumentiran računom ili drugim dokazom o kupovini da bi Standardno jamstvo bilo valjano i primjenjivo. Ovo se Standardno jamstvo odnosi samo na nove Proizvode.

2. Potrošači u određenim državama mogu produljiti svoje Standardno jamstvo za Proizvode koji ispunjavaju uvjete i nakon razdoblja Standardnog jamstva tako da se registriiraju na web-mjestu www.ryobitools.eu. Podobnost Proizvoda za produljeno Jamstvo („Produljeno Jamstvo“) navedeno je na pakiranju Proizvoda, na web-mjestu www.ryobitools.eu ili je pak dio relevantne dokumentacije o Proizvodu na web-mjestu <https://www.ryobitools.eu>. Da bi iskoristili Produljeno Jamstvo, Potrošači moraju registrirati svoje Proizvode putem interneta u roku od 30 kalendarskih dana od datuma kupovine. Svi osobni podaci o Potrošaču obradivat će se u skladu s izjavom o zaštiti privatnosti, koju je moguće pronaći ovdje: <https://uk.ryobitools.eu/footer-links/privacy-policy/>. Potvrda primika registracije, koja se šalje putem e-pošte, i originalni račun s datumom kupovine služiti će kao dokaz Produljenog jamstva.

3. Standardno jamstvo i Produljeno jamstvo („Jamstva“) ograničena su na popravke i/ili zamjene neispravnog Proizvoda prema nahođenju tvrtke TTI ako je greška u izradi ili materijalu postojala na datum kupovine. Nije moguće zatražiti dodatne troškove ili naknade. Osım toga, Jamstva se ne primjenjuju na sljedeće:

- oštećenja koja je slučajno, namjerno ili neprozorno uzrokovao Potrošač
- oštećenja Proizvoda koja su rezultat nepravilnog rukovanja ili nedovoljnog održavanja
- Proizvode koji su mijenjani ili modificirani
- Proizvode čija je izvorna oznaka (zaštitni znak, serijski broj) uništena, promijenjena ili uklonjena
- oštećenja uzrokovana neprikladnim vanjskim priručnicima s uputama
- Proizvode koji nisu potložni oznakama CE/UKCA
- Proizvode koje je pokušao popraviti neovlašteni servisni centar ili bez prethodnog odobrenja tvrtke TTI
- Proizvode koji su povezani s neodgovarajućim izvorom napajanja (amperi, napon, frekvencija)
- Proizvodi s neodgovarajućim smjesom goriva (gorivo, ulje, omjer ulja)
- oštećenja uzrokovana vanjskim elementima (voda, kemikalije, fizički udarci, udarci) ili stranim tvarima
- normalno trošenje rezervnih dijelova
- neodgovarajuću upotrebu, preopterećenje Proizvoda
- upotrebu neodobrenih dodatka ili dijelova
- dodatke za alat koji su kupljeni s alatom ili zasebno. To obuhvaća, između ostalog, nastavke za dodavanje, nastavke za dišljeve, abrazivne diske i ploče, brusni papir i oštrice te lateralne vodicije
- komponente (bitlice i dodatke) koje su podložne normalnom trošenju, uključujući, između ostalog, kompleta za servisiranje i održavanje, ugljene četke, ležajve, stezne glave, SDS nastavak za svrdlo ili vrtni alat, kabel, dodatnu ruku, torbu za prenošenje, brusni papir, torbu za zaštitu od prašine, cijev ispuha, podloške od filca, igle i opruge udarnog ključa, gumbice za otpuštanje, pogonske remene, spojku, oštrice trimera za živicu ili kosilica, pušice, sjalju gasa, zupce, igle za spojnu vae, ventilatore puhalica, cijevi za ispuhivanje i usisavanje, vakuumske vrećice i trake, vodilice, lance pile, crijeva, priključne elemente, mlaznice za raspršivanje, kotače, štapove za raspršivanje, unutarnje kotače, vanjske kaleme, fiksavce, svječke, filtre za zrak i gorivo, oštrice za usitrjavanje itd.

4. U slučaju servisiranja u sklopu Jamstva Proizvod je potrebno bez odgođe odmah nakon pojave ili prepoznavanja oštećenja u izradi ili materijalu poslati ili pokazati ovlaštenom servisnom partneru za RYOBI navedenom na sljedećem web-mjestu: <https://www.ryobitools.eu>. Potrošači mogu uslugu u sklopu Jamstva ostvariti kod servisnog partnera za RYOBI

- a. kontaktiranjem proizvođača kod kojeg su kupili proizvod ili
- b. registracijom putem servisne platforme dostupne na komercijalnom web-mjestu robe marke RYOBI (<https://www.ryobitools.eu/>), dostupnost postupaka može se razlikovati ovisno o državi.

Prilikom slanja Proizvoda ovlaštenom servisnom partneru za RYOBI, proizvod je potrebno sigurno zapakirati bez štetnih tvari (za pojedinih proizvodje sigurnosne upute na web-mjestu <https://www.ryobitools.eu/>), označiti adresom poslatelja i poslati uz kratak opis oštećenja. Imajte na umu da zbog lokalnih pravila u nekim državama naknadu za dostavu ili poštarinu mora platiti poslatelj. Obratite se lokalnom ovlaštenom servisnom centru robe marke RYOBI da biste provjerili odnose li se takvi troškovi i na vas.

5. Proizvod za koji Potrošač tvrdi da je oštećen po primliku će biti pregledan. U slučaju potvrde oštećenja, usluge popraviti ili se zamijeniti neovlašćenim proizvođačem. Ako tvrtka TTI odbije popraviti oštećenja ili ako je prema sudu tvrtke TTI popravak neučestan, pružit će se istovjerna zamjena. Zamijenjeni Proizvod ili dijelovi postaju vlasništvo tvrtke TTI. Svi popravci/zamjene u sklopu Jamstva provode se besplatno. Popravci/zamjene koje provodi TTI ne označavaju produljenje ili novi početak valjanosti Jamstva. Zamijenjeni rezervni dijelovi potložni su prethodno danim Jamstvima, a razdoblje Jamstva isteći će zajedno s Jamstvom koje je originalno dano za cijeli proizvod.

6. Jamstva robe marke RYOBI daje tvrtka Techtronic Industries GmbH, Max-Eyth-Str.10, 71364 Winnenden, Njemačka, i to samo Potrošačima koji su izvorno kupili Proizvod. Jamstvo nije moguće prenijeti ili dodijeliti nekome drugome.

7. Jamstva su valjana u Europskom gospodarskom području (EGP-+), Švicarskoj i Ujedinjenoj Kraljevini. Ako se nalazite izvan tih područja, obratite se proizvođaču gdje je proizvod kupljen da biste saznali primjenjuje li se neko drugo dobrovoljno jamstvo.

OVLAŠTENI SERVISNI CENTAR

Za svaki zahlijev ili problem s proizvodom možete se obratiti vašem ovlaštenom servisnom centru (posjetite adresu www.ryobitools.eu) ili izravno na: Techtronic Industries GmbH, Max Eyth Straße 10, 71364 Winnenden, Germany. Navedite serijski broj i vrstu proizvoda oštrinu na naljepnicu.

SL GARANCIJSKI POGOJI ZA IZDELKE RYOBI

Poleg katerih koli zakonskih pravic, ki izhajajo iz nakupa izdelka in brez poseganja v zakonske pravice, ki veljajo neodvisno in brezplačno, velja za vsa nova električna orodja in/ali vrtna orodja znamke RYOBI, ki so navedena na naši spletni strani, razen dodatne opreme za orodja, sistemov za shranjevanje orodij, za nadomestne dele, kot je podrobneje opisano v nadaljevanju ("izdelki"), prostovoljna garancija družbe Technonic Industries GmbH ("TTI") v skladu s splošni pogoji ("garancija").

Garancija velja samo za kupca, ki je izdelek kupil kot končni uporabnik za uporabo v zasebne namene ("potrošnik"). Trogovci, podjetja za izposojilo in poklicni uporabniki so izrecno izključeni iz teh splošnih pogojev garancije. Za poklicne uporabnike lahko za nekatere izdelke velja drugačna vrsta prostovoljne garancije, če je to izrecno navedeno na spletnem mestu www.ryobitools.eu. Uveljavljanje te prostovoljne garancije ne omejuje zakonskih pravic potrošnika v primeru okvare.

- Standardna garancija ("standardna garancija") velja 24 mesecev ("standardna garancijska doba") in začne veljati na dan nakupa izdelka, pod pogojem, da je izdelek kupljen samo za zasebno uporabo. Da bi bila standardna garancija veljavna in izvršljiva, mora biti ta datum dokumentiran na računu ali drugem dokazilu o nakupu. Ta standardna garancija velja tudi za nove izdelke.
- Potrošnik v nekaterih državah lahko podaljšajo standardno garancijo za nekatere izdelke po obdobju veljavnosti standardne garancije, tako da izdelek registrirajo na spletnem mestu www.ryobitools.eu. Upravičenost izdelkov do podaljšane garancije ("podaljšana garancija") je navedena na embalaži izdelka, na spletnem mestu www.ryobitools.eu, in/ali je navedena v dokumentaciji ustreznega izdelka na spletnem mestu www.ryobitools.eu. Za izkoriščanje podaljšane garancije morajo potrošniki svoje izdelke registrirati prek spleta v 30 kalendarških dneh od datuma nakupa. Vsi potrošniki osebni podatki bodo obdelani v skladu z izjavo o zasebnosti, ki je na voljo na tem naslovu: <https://link.ryobitools.eu/footer-links/privacy-policy/>. Za dokaz o podaljšani garanciji služijo potrdilo o registraciji, poslano po elektronski pošti, in originalni račun, na katerem je naveden datum nakupa.
- Standardna in podaljšana garancija ("garanciji") sta omejeni na opravilo in/ali zamenjavo pokvarjenega izdelka po presoji družbe TTI, če sta ugotovljena napaka v izdelavi ali materialu ob dnevu nakupa. Dodatnih stroškov ali nadomestila izgubo ni mogoče zahtevati. Garancije poleg tega ne veljajo tudi v naslednjih primerih:
 - Poškodba, ki jo potrošnik povzroči nenamerno, namerno ali z malomarnost
 - Kakršna koli poškodba izdelka, ki je posledica nepravilnega ravnanja ali pomanjkljivega vzdrževanja
 - Vsak izdelek, ki je bil spremenjen ali predelan
 - Vsak izdelek, pri katerem so bile prvotne identifikacijske oznake (blagovna znamka, serijska številka) poškodovane, spremenjene ali odstranjene
 - Kakršne koli poškodbe zaradi neupoštevane navodil za uporabo
 - Izdelki, za katere ne velja oznaka CE/UKCA
 - Vse izdelke, ki jih je poskušal popraviti nepooblaščen servisni center, ali če tega predhodno ni odobril družba TTI
 - Kateri koli izdelek, priključen na neustrezno električno napajanje (amperi, napetost, frekvenca)
 - Kateri koli izdelek, uporabljen z neprimerno mešanico goriva (gorivo, olje, razmerje olja)
 - Kakršne koli poškodbe zaradi zunanjih vplivov (voda, kemikalije, fizični vplivi, šoki) ali tujki
 - Normalna obraba nadomestnih delov
 - Neustrezna uporaba, preobremenitev izdelkov
 - Uporaba neodobrene dodatne opreme ali delov
 - Dodatna oprema za električno orodje, priložena orodju ali dokupljena ločeno. Tega izključujejo med drugim vključujoče tudi vijake nastavke, svedre, brusne plošče, brusni papir in rezila, strojno vodilo
 - Sestavni deli (in/ali dodatna oprema), podvrženi normalni obrabi, vključno z, vendar ne omejeno na komplete za servisiranje in vzdrževanje, krtačke, ležaje, vpenjaljo, čeljusti in svedre SDS, napajalni kable, pomožni ročki, transportno torbico, brusno ploščo, vrečka za prah, izhodno cevo za prah, podložke iz klobučevine, zatilji in vzmeti udamnega vijaka, udame glave, pogonski jermeni, sklopka, rezila obrezovalnikov žive meje ali kosilnic, jermeni, pletenica, zobci, priklpne kljčke, ventilatorji puhal, cevi puhal in sesalnikov, vreča sesalnika in trakovi, meči, verige žag, priključki, razpršilne šobe, kolesa, razpršilne ročke, notranji koloti, zunanji koloti, rezalne nitke, vzgajane svečke, zračni filtri, plinski filtri, rezila za mulčenje itd.
- Za servis v okviru garancije je treba izdelke poslati ali predložiti pooblaščenemu servisnemu partnerju RYOBI, navedenemu na spletni strani <https://www.ryobitools.eu>, brez nepotrebnega odlašanja takoj po pojavu ali ugotovitvi napake v izdelavi ali materialu. Potrošniki so v okviru garancije upravičeni do servisnih storitev servisnih partnerjev družbe RYOBI na naslednje načine:
 - a. tako, da se obrnejo na prodajalca, pri katerem je bil opravljen nakup; ali
 - b. z registracijo prek servisne platforme, ki je na voljo na spletni strani RYOBI <https://www.ryobitools.eu>. Postopek je odvisen od posamezne države.Izdelek morate pooblaščenemu servisnemu partnerju podjetja RYOBI poslati varno zapakirano brez nevarne vsebine (podrobnosti si ogledajte v varnostnih navodilih na spletnem mestu <http://www.ryobitools.eu>). Navesti morate tudi svoj naslov in priložiti kratek opis napake. V nekaterih državah mora pošiljatelj v skladu z lokalno prakso plašati stroške dostave ali poštno. O tihovrstnih stroških se posvetujte s predstavnikom lokalnega pooblaščenega servisnega centra podjetja RYOBI.

- Izdelek, za katerega uporabnik trdi, da je pokvarjen, bo po prejemu pregledan. Ko je napaka potrjena, bo v okviru garancije opravljen servisni poseg, pri katerem bodo pokvarjeni deli izdelkov po presoji družbe TTI popravljani ali zamenjani. Če TTI zavrne popravilo napake ali presodi, da popravilo ni bilo uspešno opravljeno, dobavi enakovredno nadomestek. Zamenjani izdelki ali deli postanejo last družbe TTI. Vsa popravila/nadomestki v okviru predhodno navedenih garancijskih pogojev so brezplačna. Popravila/zamenjave, ki jih opravi TTI, ne povzročijo podaljšanja ali novega začetka veljavnosti garancije. Zamenjani nadomestni deli so predmet prvotno podanih garancij v okviru garancijske dobe, ki se izteče ob datumu, prvotno navedenem za celoten izdelek.
- Garancija RYOBI družba Technonic Industries GmbH, Max-Eyth-Str. 10, 71364 Winnenden, Nemčija podaljšuje samo prvotnemu kupcu izdelka, in jih ni mogoče prenesti na druge ali jim jih dodeliti.
- Garancije veljajo v evropskem gospodarskem prostoru (EGS), Švici in Združenem kraljestvu. Če ne živite v teh območjih, se obrnite na prodajalca, pri katerem ste izdelek kupili, in se pozanimajte o morebitnih drugih veljavnih prostovoljnih garancijah.

POOBLAŠČENI SERVISNI CENTER

V primeru zahtev ali težav v zvezi z izdelkom se lahko obrnete na lokalne pooblaščené servisne centre (obišče www.ryobitools.eu) ali neposredno na: Technonic Industries GmbH, Max Eyth Straße 10, 71364 Winnenden, Germany. Prosimo, da navedete serijsko številko in tip izdelka, ki sta natisnjena na oznaki.

SK PODMIENKY UPLATŇOVANIA ZÁRUKY RYOBI

Okrem zákonných práv vyplývajúch z nákupu výrobku a bez toho, aby boli dotknuté zákonné práva, ktoré sa uplatňujú nezávisle a bezplatne, na každé nové elektrické náradie značky RYOBI a záhradné náradie uvedené na našej webovej stránke, okrem príslušenstva na náradie, systémov na ukladanie nástrojov a náhradných dielov, ako je ďalej uvedené v časti ("Výrobok"), sa vzťahuje dobrovoľná záruka vydaná spoločnosťou Technonic Industries GmbH (ďalej len "TTI") za podmienok uvedených nižšie (ďalej len "záruka").

Záruka sa vzťahuje len na výrobky, ktorých nakupujúci výrobky ako koncoví užívatelia v ich postavení spotrebiteľa (ďalej len "spotrebiteľ"). Maloobchodníci, počnúc, ako aj profesionálni koncoví užívatelia sú výslovne vylúčení z týchto všeobecných obchodných podmienok záruky. Pre profesionálnych koncových používateľov sa môže na určité výrobky uplatňovať iný druh dobrovoľnej záruky, ak je výslovne uvedené na internetovej stránke www.ryobitools.eu. Uplatnenie tejto dobrovoľnej záruky neobmedzuje zákonné právy spotrebiteľa v prípade chyby.

- Za predpokladu, že výrobok je zakúpený len na súkromné použitie, má Standardná záruka (ďalej len "Standardná záruka") lehota 24 mesiacov (ďalej len "Standardná záručná lehota") a začína plynúť dňom zakúpenia výrobku. Tento dátum musí byť zdokumentovaný faktúrou alebo iným dokladom o kúpe, aby bola Standardná záruka platná a vymáhateľná. Táto Standardná záruka sa vzťahuje len na nové výrobky.
- Spotrebiteľ v určitých krajinách môže mať po uplynutí obdobia Standardnej záruky možnosť predĺžiť Standardnú záruku na výrobky, ktoré spĺňajú podmienky oprávnenosti, registráciu na webovej stránke www.ryobitools.eu. Oprávnenosť výrobkov na rozšírenú záruku (ďalej len "rozšírená záruka") je uvedená na obale výrobku, na webovej stránke www.ryobitools.eu alebo v príslušnej dokumentácii k výrobku na stránke <https://www.ryobitools.eu>. Aby spotrebiteľ mohol využívať výhody rozšírenej záruky, si povinný zaregistrovať svoje výrobky online do 30 kalendaršných dní od dátumu nákupu, čím získajú nárok využívať túto rozšírenú záruku. Všetky osobné údaje spotrebiteľa budú spracované v súlade s vyhlásením o ochrane osobných údajov, ktoré nájdete tu: <https://link.ryobitools.eu/footer-links/privacy-policy/>. Potvrdenie o registrácii zaslané e-mailom a pôvodná faktúra s dátumom nákupu budú slúžiť ako dôkaz o rozšírenej záruke.
- Standardná záruka a rozšírená záruka (ďalej len "záruky") sú obmedzené na opravu alebo výmenu chybného výrobku podľa uráženia spoločnosti TTI za predpokladu, že chyta spracovaná alebo materiál existovala k dátumu nákupu. Žiadne ďalšie náklady alebo straty si nemôžu nárokovať. Okrem toho sa záruka nevzťahuje na:
 - akékoľvek škody spôsobené nehodou, úmyselné alebo z neobdobnosti zo strany spotrebiteľa
 - akékoľvek poškodenie výrobku, ktoré je výsledkom nesprávneho zaobchádzania alebo nedostatočnej údržby
 - výrobok, ktorý bol zmenený alebo upravený
 - výrobok, v ktorom boli pôvodné označenia (ochranná známka, sériové číslo) zničené, zmenené alebo odstránené
 - akékoľvek poškodenie spôsobené neodporúzaním návodu na obsluhu
 - výrobky, na ktoré sa nevzťahuje označenie CE/UKCA
 - výrobok, na ktorom došlo k pokusu o opravu zo strany neautorizovaného servisného strediska alebo bez predchádzajúceho povolenia TTI
 - výrobok pripojený k nesprávnejmu zdroju napájania (ampéry, napätie, frekvencia)
 - výrobok používaný s nevhodnou palivovou zmesou (palivo, olej, pomer oleja)
 - akékoľvek poškodenie spôsobené vonkajšími vplyvmi (voda, chemikálie, fyzikálne, nárazy) alebo cudzími látkami
 - bežné opotrebovanie náhradných dielov
 - nevhodné použitie, preťaženie výrobkov
 - používanie neschráneného príslušenstva alebo dielov
 - príslušenstvo elektrického náradia dodané s náradím alebo zakúpené samostatne. Takéto vylúčenia zahŕňajú okrem iného hroty skrutkovačov, vrtáky, abrazívne kolíče, brusny papier a nože, komponenty bočných
 - vodiacich systémov (diely a príslušenstvo), ktoré podliehajú normálnemu opotrebovaniu, okrem iného servisné a údržbové súpravy, uhlíkové kefy, ložiská, skľučovadlá, nástavce alebo uchytenia vrtákov pre vŕtačky SDS, napájacie káble, pomocné držiadla, prípravné kufry, brániťenie tanier, vrečka na prach, trubicu na odsávanie prachu, pletené podložky, kalfy a pružiny rázových úťahovačov, ovládacie gombíky na pridzváhanie ciokov, hincie remene, spojky, nože výžinačov alebo kosáčiek na trávu, káblové vŕtačky, plynové lanká, rohože, ťažné kolíky, ventilátory, fúkače, trubice fúkačov a vysávačov, vrečka a potrubie vysávačov, vodiace tyče, pilové veľtáče, hadice spojivák, zapalovače trysky, kolesá, rozprašovače tyče, vrtónové valce, vonkajšie klieče, rezacie linky, zapalovače svečky, vzduchové filtre, plynové filtre, mulčovače nože, atď.
- Na účely záručného servisu musia byť výrobky po vzniknutí alebo rozpoznaní chyby spracovaná alebo materiál bez zbytočného odkladu odslané alebo predložené autorizovanému servisnému partnerovi RYOBI uvedenému na webovej stránke <https://www.ryobitools.eu>. Spotrebiteľ môže získať služby v rámci záruk od servisného partnera spoločnosti RYOBI
 - a) kontaktovaním predajcu, u ktorého bol nákup uskutočnený; alebo
 - b) registráciou prostredníctvom platformy služieb dostupnej na komerčnej webovej stránke spoločnosti RYOBI <https://www.ryobitools.eu>. Dostupnosť procesu sa môže v jednotlivých krajinách líšiť.Pri odosielení výrobku autorizovanému servisnému partnerovi RYOBI musí byť výrobok bezpečne zabalený bez nebezpečného obsahu (podrobnosti nájdete v bezpečnostných pokynoch na webovej stránke <https://www.ryobitools.eu>), označený adresou odsielateľa a doplnený krátkym opisom chyby. Upozorujeme, že v niektorých krajinách bude musieť odosielať zaplatiť poplatky za doručenie alebo poštovné v súlade s miestnymi zariadenými postupmi. Ak si chcete overiť, či sa taketo poplatky uplatňujú, obráťte sa na miestne autorizované servisné stredisko spoločnosti RYOBI.
- Keď dostanete výrobok, o ktorom spotrebiteľ tvrdí, že je chybný, skontrolujeme ho. Ak sa chyba potvrdí, budú poskytnuté služby v rámci záruky, a to opravu chybných dielov výrobkov alebo ich výmenu za bezchybné diely podľa uráženia spoločnosti TTI. Ak spoločnosť TTI odmietne opraviť chybu alebo ak požiadať rozhodnutia spoločnosti TTI oprava zlyhala, bude dodaná rovnocenná náhrada. Vymenené výrobky alebo diely sa stávajú majetkom spoločnosti TTI. Všetky opravy alebo výmeny v rámci vyššie uvedených záruk sú bezplatné. Opravy alebo výmeny vykonávané spoločnosťou TTI nepredstavujú rozšírenie alebo nový začiatok záruk. Vymenené náhradné diely podliehajú pôvodné poskytnutým zárukám a záručná lehota sa skončí súčasne so záručnou lehotou, ktorá bola pôvodne poskytnutá pre celý výrobok.
- Záruky RYOBI poskytuje spoločnosť Technonic Industries GmbH, Max-Eyth-Str. 10, 71364 Winnenden, Nemcko, iba spotrebiteľovi, ktorý pôvodne zakúpil výrobok a nesmú byť pripísané inému spotrebiteľovi ani na neho prevedené.
- Záruky sú platné v rámci Európskeho hospodárskeho priestoru (EHP), Švajčiarska a Spojeného kráľovstva. Mimo týchto oblastí môžete kontaktovať predajcu, u ktorého sa uskutočnil nákup, a zistiť, či sa uplatňuje iná dobrovoľná záruka.

AUTORIZOVANÉ SERVISNÉ STREDISKO

Všetky žiadosti alebo problémy s výrobkom možno adresovať miestnym autorizovaným servisným strediskám (navštívte www.ryobitools.eu) alebo priamo na: Technonic Industries GmbH, Max Eyth Straße 10, 71364 Winnenden, Germany. Uvedte sériové číslo a typ výrobku uvedené na etike.

BG УСЛОВИЯ ЗА ПРИЛАГАНЕ НА ГАРАНЦИЯТА НА RYOBI

В допълнение към всички законни права, приличащи от покупката на продукта, и без да се засягат законните права, които се прилагат незаемно и безплатно, всички наши електронни инструменти и/или гаджети инструменти с марката RYOBI, посочени на нашия уеб сайт, с изключение на аксесоари за инструменти, системи за съхранение на инструменти и резервни части, както е описано по-долу („Продукт“), са обхванати от доброволна гаранция, издадена от Techtronc Industries GmbH („TTI“) при условията, посочени по-долу („Гарантия“).

Гарантията е приложима само за купувачи(и), който(ито) закупува(т) продуктите като краен(и) потребител(и) в частност си на потребител(и) („Потребител“). Търговеците на дребно, фирмите за отдаване под наем, както и професионалните крайни потребители са изрично изключени от тези общи условия на Гаранцията. За професионалните крайни потребители може да е приложима друг вид доброволна гаранция за определени(и) продукти(и), убо това е изрично посочено на уеб сайта www.ryobitools.eu. Позоваването на тази доброволна Гаранция не ограничава законните права на Потребителя в случай на дефект.

- Стандартната гаранция („Стандартна гаранция“), при условие че Продуктът е закупен само за лична употреба, е със срок от 24 месеца („Стандартен гаранционен период“) и започва да тече от датата на закупуване на продукта. Тази дата трябва да бъде документирана с фактура или друго доказателство за покупка, за да бъде Стандартната гаранция валидна и приложима. Тази Стандартна гаранция се отнася и само за нови(и) Продукт(и).
- Потребителите в някои държави може да имат възможност да удължат срока на Стандартната гаранция за Продукти, отговарящи на условията, след китанею на срока на Стандартната гаранция, която се регистрират на уеб сайта www.ryobitools.eu. Достъпността на Продуктите за разширена гаранция („Разширена гаранция“) е посочена на етикетите на Продукта, на уеб сайта www.ryobitools.eu или се съдържа в документацията на съответния Продукт на адрес <https://www.ryobitools.eu/>. За да се възползват от Разширената гаранция, Потребителите трябва да регистрират своите(и) Продукт(и) онлайн в рамките на 30 календарни дни от датата на покупката, за да се възползват от тази Разширена гаранция. Цялата лична информация на Потребителя се обработва в съответствие с декларацията за поверителност, която можете да намерите тук: <https://uk.ryobitools.eu/footer-links/privacy-policy/>. Разликата за потвърждение на регистрацията, която се изплаща по имейл, и оригиналната фактура, в която е посочена датата на покупката, ще служат като доказателство за Разширената гаранция.
- Стандартната гаранция и Разширената гаранция („Гаранция“) са ограничени до ремонт или замяна на дефектен Продукт по преценка на TTI, при условие че дефектът в изработката или материала е съществувал към датата на покупката. Не могат да се претендират допълнителни разходи или загуби. Освен това Гаранциите не се прилагат за:
 - вска щета, причинена случайно, умислено или по небрежност от Потребителя
 - вска повреда на Продукта, която е резултат от неправилно третиране или липса на поддръжка
 - всви Продукт, който е бил променен или модифициран
 - всви Продукт, чийто оригинални идентификационни маркировки (Търговска марка, серийн номер) са били повредени, променени или премахнати
 - всви щети, причинени от несъобразаване на ръководството за експлоатация
 - Продукти, които не подлежат на маркировка CE/UKCA
 - всви Продукт, за който е бил направен път да бъде ремонтиран от неоторизирани сервизен център или без предварително разрешение от TTI
 - всви Продукт, свързан с неподходящо електрохранаване (ампери, напрежение, честота)
 - всви Продукт, използван с неподходяща горнина сеш (гориво, максимално съотношение на маслото)
 - всвакви повреди, причинени от външни въздействия (вода, химикали, физически въздействия, удари) или чужди вещества
 - нормално износване на резервните части
 - неподходяща употреба, претоварване на Продукт(ите)
 - използване на неодобрени аксесоари или части
 - аксесоари за електронни инструменти, предоставени с инструмента или закупени отделно. Такива изключения включват, но не се ограничават до, найкрайни за винтоверти, свредла, абразивни дискове, шкурка и остриета, странични направляващи
 - компоненти (части и аксесоари), които подлежат на нормално износване, включително, но не само, комплекти за обслужване и поддръжка, въглеродни четки, лагери, патрони, приставки или приеми за SDS съдове, завоващи кабел, помощна дръжка, транспортен куфар, шпифована плоча, торба за прах, тръба за отвеждане на прах, филцови шапки, шифтове и пружини за ударни гаикверти, ударни бутони, задвижващи ремци, шифтовелт, остриета на харсторези или косачки за трева, копан, кабел за газ, нарязване нокове, шифтове за теглици, вентилатори, тръби за издуване и засмукаване, тръби за засмукаване и ремци, водчачи за шини, вериги за триони, маручки, конектори фитинги, разпръсквачи дюзи, колаела, пръскачки, вътрешни макари, външни макари, линии за разяно, запалителни свещи, въздушни филтри, газови филтри, платови за мулчиране и оше.
- За рязане обслужване Продукт(ите) трябва да бъде(ат) изпратен(и) или представен(и) без неоправдано забавяне след появята или признаването на дефекта в изработката или материала на оторизирани сервизен партньор на RYOBI, посочен на следния уеб сайт www.ryobitools.eu/. Потребителите могат да получат услугите по Гаранциите от сервизен партньор на RYOBI, като:
 - се свържат с търговеца на дребно, където е направена покупката; или
 - а регистрация чрез платформата за услуги, достъпна на търговеца уеб страницата на RYOBI <https://www.ryobitools.eu/>, която достъпността на процеса може да варира в различните държави.При изпращане на Продукт до оторизирани сервизен партньор на RYOBI Продуктът трябва да бъде безопасно опакован без опасност съдържане (за подробности, моля, вижте инструкциите за безопасност на уеб сайта <https://www.ryobitools.eu/>), маркиран с адреса на изпращача и придружен от кратко описание на дефекта. Моля, имайте предвид, че в някои държави таксите за доставка или пощенските разходи трябва да бъдат заплатени от изпращача в съответствие с местната практика. Моля, консултирайте се с местния оторизирани сервизен център на RYOBI, за да потвърдите дали се прилагат такива такси.
- При получаване на Продукта, за който Потребителят твърди, че е дефектен, той ще бъде проверен. Когато дефектът е потвърден, услугите по Гаранциите ще се предоставят чрез ремонт на дефектните части на продуктите или замяната им с еквивалентни части по преценка на TTI. Ако TTI отпече за отстраняване на дефекта или ако, по преценка на TTI, ремонтът е неуспешен, на потребителя ще бъде доставен равностепенен продукт за замяна. Замянените(и) Продукт(и) или част(и) ще станат(а) собственост на TTI, не представляват удължаване или ново начало на Гаранциите. Замянените резервни части са предмет на първоначално предоставените Гаранции, които срокти на Гаранциите приключват със срока на Гаранцията, която първоначално е била предоставена за цялостния продукт.
- Гаранциите на RYOBI се предоставят от Techtronc Industries GmbH, Max-Eyth-Str. 10, 71364 Winnenden, Германия, само на Потребителя, който първоначално е закупил Продукта, и не могат да бъдат прехвърляни или протоставляни.
- Гаранциите са валидни в Европейското икономическо пространство (ЕИП), Швейцария и Обединеното кралство. Извън тези области, моля, свържете се с търговеца на дребно, където е направена покупката, за да разберете дали се прилагат друга доброволна гаранция.

ОТОРИЗИРАН СЕРВИЗЕН ЦЕНТЪР

Всички заявки за ремонт, свързани с продукта, могат да бъдат отпратени към местните упълномощени сервизни центрове (посетете www.ryobitools.eu/) или директно до: Techtronc Industries GmbH, Max Eyth Straße 10, 71364 Winnenden, Germany. Посочете серийния номер и типа на продукта, отпечатани върху етикета.

UK УМОВИ НАДАННЯ ГАРАНТИИ RYOBI

Разом с буд-иричними законними правими, които виникват у зв'язку з придбанням товару, і без обмеження законних прав, які застосовуються незалежно і безплатно, на всі зазначені на нашому вебсайті нові електронні інструменти та/або інструменти марки RYOBI, за винятком допоміжних пристроїв, систем зберігання інструментів і запасних частин, як зазначено нижче («Товар»), поширюється добровільна гарантія, надана компанією Techtronc Industries GmbH («TTI»), відповідно до викладених нижче умов і положень («Гарантія»).

Гарантія поширюється лише на покупця(ів), які купують продукцію в статусі кінцевого користувача — споживача («Споживач»). Роздрібні торговці, прокатні компанії, а також кінцеві користувачі для професійного застосування в якій формі виключаються з цих загальних положень та умов Гарантії. До певної(их) товару(ів) для кінцевих користувачів для професійного застосування може застосовуватися інший тип добровільної гарантії за певних умов. Якщо це в якій формі зазначено на вебсайті www.ryobitools.eu. Застосування цієї добровільної гарантії не обмежується законами права Споживача у разі наявності дефекту.

- За умови, що Товар придбано виключно для індивідуального використання, стандартна гарантія («Стандартна гарантія») має термін від 24 місяці («Стандартний гарантійний термін») і починається з дати придбання товару. Цей Стандартний гарантійний термін є малим юридичним списком, ця дата повинна бути підтверджена računoun-fakturno або іншим документом, що підтверджує факт придбання. Також ця Стандартна гарантія поширюється лише на новий(и) Виріб(и).
- В деяких країнах Споживачі можуть мати можливість продовжити Стандартну гарантію на відповідні Товари після закінчення терміну дії Стандартної гарантії, звертаючись на вебсайті www.ryobitools.eu/. Інформація про відповідність Товарів розширеним гарантіям («Розширена гарантія») вказана на пакуванні Товару, на вебсайті www.ryobitools.eu/ та/або наведена у відповідній документації до Товару за адресою <https://www.ryobitools.eu/>. Щоб скористатися Розширеною гарантією, Споживачі мають заповнювати форму (свої) Товари онлайн протягом 30 календарних днів з дня покупки. Всі відповідні дані Споживача будуть оброблятися відповідно до заяви про конфіденційність, яку можна знайти за посиланням <https://uk.ryobitools.eu/footer-links/privacy-policy/>. Підтвердження Розширеної гарантії є підтвердженням про ресторцію, надіслане нами електронною поштою, та оригінал гарантійної фактури із зазначенням дати покупки.
- Стандартна гарантія та Розширена гарантія («Гарантія») обмежуються ремонтом та/або заміною дефектного Товару на розсуд компанії TTI за умови, що дефект виготовлення або матеріалу існував на дату придбання. Буд-иричними додатковими витратами або збитками не підлягає відшкодуванню. Також Гарантія не поширюється на:
 - буд-яку шкідливу, заподіяну Споживачем випадкову, навмисно або з необережності
 - буд-які пошкодження Товару, що виникли в результаті неналежного поводження або відсутності технічного обслуговування
 - буд-який Товар, який був змінені або модифікований
 - буд-який Товар, на якому пошкоджено, змінено або видалено оригінальне ідентифікаційне маркування (торговельна марка, серийн номер)
 - буд-які пошкодження, спричинені недотриманням інструкції з експлуатації
 - Товари, які не підпадають під дію гарантії з маркуванням CE/UKCA
 - буд-який Товар, який намагалися відремонтувати в неуповноваженому сервісному центрі або без попереднього узгодження з TTI
 - буд-який Товар, підключений до невідповідного джерела електроживлення (сила струму, напруга, частота)
 - буд-який Товар, який використовується з невідповідною паливною сумішшю (паливо, олива, співвідношення палива та оливи)
 - буд-які пошкодження, спричинені зовнішніми факторами (водаю, хімічними речовинами, фізичними силами, механічними ударами) або сторонніми речовинами
 - нормальні знос запасних частин
 - неправильне використання, перенавантаження Товару(ів)
 - використання незатверджених допоміжних пристроїв або деталей
 - допоміжні пристрої до електронного інструменту, наданого в комплекті з інструментом або придбаного окремо. Такі виключення включають, але не обмежуються, такім: бити для викруток, свердла, шпифовані диски, наждачний папір і полотна, бачні напильні
 - комплектуючі (деталі та допоміжні пристрої), які підлядають нормальному зносу, включно, але не обмежуючись, таким: комплект для обслуговування та ремонту вултирні штиби, підшипники, патрони, криплення та держки для свердел SDS, штири живлення, допоміжні ручки, транспортні штифти та футляри, шпифовані паливо, паливі штири, штири для відводу пилу, повстяні шапки, чохли та пружини для гаиквертів, натиски голови, пружинні реміні, зчеплення, лопати кудюрів або газосососарок, підвісна система, тросові дроти, зубці, зчіпні штифти, вентилятори, вентилятори та вакуумні труби, вакуумні штиби та паски, накривні штиби, пилки ланцюжки, шпачі, арматура для з'єднання, розширювальні форсунок, колесі, пультверстати, внутрішні катушки, зовнішні катушки, ручку волосся, силіконові запалювачі, повітряні фільтри, паливні фільтри, лопати для мульчування тощо.
- Для гарантійного обслуговування Товару(и) повинні бути відправлені або передані без невиправдані затримки після виникнення або виявлення дефекту виготовлення або матеріалу уповноваженому сервісному партнеру RYOBI, перелік яких наведено на вебсайті <https://www.ryobitools.eu/>. Споживачі можуть отримати передбачені Гарантією послуги від сервісного партнера RYOBI таким чином:
 - звернувшись до роздрібного продавця, де була здійснена покупка; або
 - звертаючись через сервісну платформу, доступну на офіційному вебсайті RYOBI <https://www.ryobitools.eu/>. Доступність такої процедури може відрізнятися в залежності від країни.При відправленні Товару уповноваженому сервісному партнеру RYOBI він повинен бути надійно упакований та не мати небезпечної вмісту (докладніше див. інструкції з техніки безпеки на сайті <https://www.ryobitools.eu/>), з позначкою адреси відправника та стиліси опитування. Звернуть увагу, що в деяких країнах вартість доставки або поштових витрат має бути сплачена відправником відповідно до прийнятої місцевої практики. Щоб дізнатися, чи передбачена така оплата, зверніться до місцевого уповноваженого сервісного партнера RYOBI.
- Товар, про який Споживач заявляє як про дефектний, буде отриманий після отримання. Якщо дефект буде підтверджено, передбачені Гарантією послуги будуть надані після ремонту дефектних частин виробу або заміни їх на дефектні частини на розсуд TTI. Якщо TTI відмовляється відшкодувати дефект або якщо, на розсуд TTI, ремонт виявився невдалим, буде надана різнцева заміна. Замянені(и) Продукт(и) або деталі(и) ставлять власністю TTI, якщо ремонт/заміна відповідно до визначених гарантій є безплатними. Ремонт(и)/заміна(и), включно компанією TTI, не продовжують і не поновлюють термін дії Гарантії. На замінені запчастини поширюється дія першоначних Гарантій, а термін дії Гарантії закінчується разом із терміном дії Гарантії, яка була першоначно надана на товар в цілому.
- Гарантії RYOBI надаються компанією Techtronc Industries GmbH, Max-Eyth-Str. 10, 71364 Winnenden, Germany (Вінненден, Німеччина), тільки Споживачеві, який придбав Товар, і не можуть бути передані або переступлені.
- Гарантії діють в Європейській економічній зоні (ЄЄЗ), Швейцарії та Сполученому Королівстві. Щоб дізнатися, чи діє буд-яка інша добровільна гарантія за умови цих термій, зверніться до продавця, через якого була здійснена покупка.

УПОВНОВАЖЕНИЙ СЕРВІСНИЙ ЦЕНТР

З буд-иричними питаннями або проблемами, пов'язаними з пристроєм, ви можете звернутися до місцевих авторизованих сервісних центрів (відвідайте www.ryobitools.eu/) або напрямку до: Techtronc Industries GmbH, Max Eyth Straße 10, 71364 Winnenden, Germany. Будь ласка, вкажіть серийний номер та тип продукту, вказані на етикеті.

TR RYOBI GARANTİ UYGULAMA KOŞULLARI

Bir ürünün satın alınmasından doğan tüm yasal haklara ek olarak, bağımsız ve ücretsiz olarak geçerli olan yasal haklara halel gelmeksizin ("Ürün") bölümlenmiş ayrıntılı bir şekilde anlatıldığı gibi, alet aksesuarları, alet depolama sistemleri ve yedek parçalar hariç olmak üzere web sitesinde listelenen tüm yeni RYOBI markalı elektrikli aletler ve/veya başka aletleri, aşağıda belirtilen hüküm ve koşullara ("Garanti") tabii olarak Techtronic Industries GmbH ("TI") tarafından verilen güvüllü bir garanti kapsamındadır.

Garanti, yalnızca son kullanıcılar olarak ürünü satın alan tüketiciler için geçerlidir. Bayiler, kiralama şirketleri ve profesyonel son kullanıcılar. Garantinin bu genel hüküm ve koşullarından açıkça hariç tutulur. Profesyonel son kullanıcıların için www.ryobitools.eu web sitesinde açıkça belirtilmiş belirli ürünler için farklı güvüllü garanti türü geçerli olabilir. Bu güvüllü Garantinin ihlal edilmesi, bir arıza durumunda tüketicinin yasal haklarını sınırlamaz.

1. Standart garanti ("Standart Garanti"), ürünün yalnızca özel kullanım için satın alınması koşulluyla, 24 aylık ("Standart Garanti Süresi") bir süreyle sahiptir ve ürünün satın alındığı tarihte başlar. Bu tarih, Standart Garantinin geçerli ve uygulanabilir olması için bir fatura veya başka bir satın alma kanıtı ile belgelenmelidir. Ayrıca bu Standart Garanti yalnızca yeni Ürünler için geçerlidir.

2. Belirli ülkelerdeki tüketiciler, www.ryobitools.eu web sitesine kaydolarak uygun Ürünler için Standart Garantiyi, Standart Garanti süresini aşacak şekilde uzatabilirler. Ürünlerin uzatılmış garantisi ("Uzatılmış Garanti") için uygunluğu, Ürünün ambalajı üzerinde ve www.ryobitools.eu web sitesinde belirtilir ve/veya <https://www.ryobitools.eu> adresinde bulunan ilgili Ürün belgelerinde yer alır. Uzatılmış Garantiden yararlanabilmek için Tüketicilerin bu Uzatılmış Garantiden faydalanmak amacıyla satın alma tarihinden itibaren 30 takvim günü içinde Ürünlerini çevrimiçi olarak kaydedilmeleri gerekir. Bir Tüketicinin tüm kişisel bilgileri, <https://uk.ryobitools.eu/footer-links/privacy-policy/> adresinde bulunan gizlilik bildirimine uygun olarak işlenecektir. E-posta ile gönderilen kayıt alındı teyidi ve satın alma tarihi gösteren orijinal fatura, Uzatılmış Garantinin kanıtı olarak kullanılacaktır.

3. Standart Garanti ve Uzatılmış Garanti ("Garantiler"), ürünün satın alındığı tarihte ışıklik veya malzeme arızasının olması halinde TT'nin takdimine bağlı olarak arızalı Ürünün onarılması veya değiştirilmesi ile sınırlıdır. Başka masraflar veya kayıplarla ilgili talepte bulunulamaz. Ayrıca Garanti sunlar için de geçerli değildir:

- Tüketici tarafından kazara, kasten veya ihmalkar bir şekilde oluşan hasarlar
- Yalnızca işlemlerin veya bakımın yapılmasından kaynaklanan Ürün hasarları
- Değiştirilmiş veya modifiye edilmiş Ürünler
- Orijinal tanımlama (ticari marka, seri numarası) işaretleme tahrih edildiği, değiştirildiği veya çıkarıldığı Ürünler
- Talimat kılavuzuna uyulmaması nedeniyle oluşan hasarlar
- CE/UKCA işaretine tabii olmayan Ürünler
- Yetkili olmayan bir servis merkezi tarafından veya TT'dan önceden izin alınmadan onarımları çalışılmış Ürünler
- Uygun olmayan güç kaynağına (amper, voltaj, frekans) bağlı Ürünler
- Uygun olmayan yakıt karışımına (yakıt, yağ, yağ oranı) kullanılan Ürünler
- Diş etkilere (su, kimyasal, fiziksel, şoklar) veya yabancu maddelerin neden olduğu hasarlar
- Yedek parçaların normal aşınması ve yıpranması
- Uygun olmayan kullanım, Ürünlerin aşırı yüklenmesi
- Onaylanmamış aksesuarların veya parçaların kullanılması
- Alet ile birlikte verilen veya ayrı olarak satın alınan elektrikli alet aksesuarları. Tomavida uçları, matkap uçları, zımpara diskleri, zımpara kağıdı ve bıçaklar, yanal kılavuz dahil ancak bunlarla sınırlı olmamak üzere bu tür hariç bırakılan parçalar
- Servis ve bakım kiti, karton kırıcılar, rulmanlar, toza ayası, SDS matkap ucuklentisi veya alıcısı, güç kablosu, yalıtım tutanak, taşıma çantası, zımpara plakası, toz torbası, toz egzoz borusu, keçe rondeller, darbeli aletlerin pimleri ve yayları, çıkıntılı düğmeler, tahrik kayışları, debriyaj, çik düzelticilerin veya çim biçim makinelerinin bıçakları, kuşam askılık, gaz teli, çatal dişleri, çeki demir kilit pimleri, üfleme makinesi, hortanlar, üfleme ve vakum makineleri, vakum torbası ve kayışlar, kılavuz çubuklar, testere zincirleri, hortanlar, konektör bağlantıları, püskürtme nozulları, tekerlekler, püskürtme çubukları, dahil makaralar, harici makaralar, kesme telleri, bujiler, hava filtreleri, gaz filtreleri, makaralı bıçaklar vb. dahil ancak bunlarla sınırlı olmamak üzere normal aşınma ve yıpranmaya maruz kalan bileşenler (parçalar ve aksesuarlar).

4. Garanti servis işlemi için, ışıklik veya malzeme arızasının meydana gelmesinden veya fark edilmesinden sonra Ürünler, fazla gecikmeden web sitesinde listelenen yetkili RYOBI servis ortasına gönderilmeli veya sunulmalıdır: <https://www.ryobitools.eu>. Tüketiciler, Garantinin kapsamına bulunan servisleri RYOBI servis ortasından a. satın alma işleminin yapıldığı bayi ile iletişime geçerek veya

b. RYOBI Commercial web sayfasında (<https://www.ryobitools.eu>) bulunan servis platformu aracılığıyla kaydolarak edilebilirler. Sürecin kullanılabilirliği ülkeden ülkeye değişiklik gösterebilir.

Bir Ürün yetkili bir RYOBI servis ortasına gönderirken Ürün güdülendirin adresi belirtilerek ve ayrıca ilgili kasa bir açıklamayla birlikte tehlikeli içeryi (nyuntlar için lütfen <https://www.ryobitools.eu> adresindeki web sitesinde bulunan güvüllük talimatlarına bakın) olmadan güvüllü bir şekilde paketlenmelidir. Bazı ülkelerde teslimat veya posta ücretlerinin yerli uygulaması gerek gönderen tarafından ödemesi gerektirir lütfen unutmayın. Bu tür ücretlerin uygulanıp uygulanmadığını doğrulamak için lütfen yerli yetkili RYOBI servis merkezimize danışın.

5. Tüketici tarafından arızalı olduğu iddia edilen Ürün teslim alındıktan sonra incelemektedir. Arıza onarıldığında, Garantinin kapsamındaki servisleri, TT'nin takdimine bağlı olarak, ürünlerin arızalı parçalarının onarılması veya arızalı olmayan parçaların değiştirilmesi yoluyla sağlanacaktır. TT, arızayı onarmayabilirse veya TT'nin takdimine onanmış başkası sayılırsa eş değeri bir parçayla değiştirilmesini sağlayacaktır. Değiştirilen Ürünler veya parçaları TT'nin mülkiyetinde olacaktır. Yukarıdaki Garantiler kapsamında yapılan tüm onarım/değişim işlemleri ücretsizdir. TT tarafından gerçekleştirilen onarım/değişim işlemleri, Garantinin süresinin uzatılmasını veya Garantinin yeni bir başlangıç teskil etmez. Değiştirilen veya parçalar başlangıçta verilen Garantilere tabiidir ve Garantinin süresi, ürünün tamamı için başlangıçta verilen Garanti süresi dolunca sona erer.

6. RYOBI Garantileri; Max-Eyth-Str.10, 71364 Winnenden, Almanya adresindeki Techtronic Industries GmbH tarafından yazılmış Ürünü iki satın alan Tüketicilere verilir ve devredilemez veya atanamaz.

7. Garantiler Avrupa Ekonomik Alanı (AEA), İsviçre ve Birleşik Krallık'a geçerlidir. Bu alanların dışında, başka bir güvüllü garanti için talep olmadıkça öğrenmek için lütfen satın alma işleminin yapıldığı bayi ile iletişime geçin.

YETKİLİ SERVİS MERKEZİ

Ürünü ilgili her türlü talep ve sorun yerli yetkili servis merkezine (www.ryobitools.eu adresini ziyaret edin) veya doğrudan aşağıdaki merkezle iletişime geçebilirsiniz: Techtronic Industries GmbH, Max Eyth Straße 10, 71364 Winnenden, Germany. Lütfen etikette yer alan seri numarasını ve ürün tipini belirtin.

EL ÖROO EFARMİOGHES EGFYHİNES RYOBI

Εκτός από τα νόμιμα δικαιώματα που προκύπτουν από την αγορά ενός προϊόντος και με την επιφύλαξη των νόμιμων δικαιωμάτων που ισχύουν σε σχέση με δωρεάν, όλα τα νέα ή/και βελτιωμένα εργαλεία ή εργαλεία κήπου με την επωνυμία RYOBI που περιλαμβάνονται στον ιστότοπό μας, με εξαίρεση τα εξοπλισμένα εργαλεία, τα συστήματα αποθήκευσης εργαλείων, και τα αναπλάκωτα, όπως περιγράφονται περαιτέρω στο («Προϊόν»), καλύπτονται από προαιρετική εγγύηση που έχει εκδοθεί από την Techtronic Industries GmbH («TI»), σύμφωνα με τους όρους και τις προϋποθέσεις που αναφέρονται παρακάτω («εγγύηση»).

Η εγγύηση ισχύει μόνο για τους αγοραστές που αγοράζουν τα προϊόντα ως τελικοί χρήστες υπό την ιδιότητα τους ως καταναλωτές («καταναλωτής»). Οι έμποροι λιανικής ή εταιρείες ενοικίασης, καθώς και οι επαγγελματίες τελικοί χρήστες εξαιρούνται από τους παρόντες γενικούς και προϋποθέσεις της εγγύησης. Για τους επαγγελματίες τελικούς χρήστες μπορεί να ισχύει διαφορετικό είδος προαιρετικής εγγύησης για ορισμένα προϊόντα, εάν αυτό προβλέπεται από τον ιστότοπό μας www.ryobitools.eu. Η εγγύηση αυτής της προαιρετικής εγγύησης δεν περιέρχεται τα νομικά δικαιώματα του καταναλωτή σε περίπτωση ελαττωμάτων.

1. Η τυπική εγγύηση («Τυπική εγγύηση»), υπό την προϋπόθεση ότι το προϊόν αγοράζεται αποκλειστικά για ιδιωτική χρήση, έχει διάρκεια 24 μηνών («Τυπική περίοδος εγγύησης») και αρχίζει την ημερομηνία αγοράς του προϊόντος. Αυτή η ημερομηνία πρέπει να επιβεβαιωθεί μέσω τιμολογίου ή άλλης αποδείξης αγοράς, προκειμένου η τυπική εγγύηση να είναι έγκυρη και εκτελεστέα. Αυτή η τυπική εγγύηση ισχύει επίσης μόνο για νέα προϊόντα.

2. Οι καταναλωτές σε ορισμένες χώρες ενδέχεται να είναι σε θέση να επεκτείνουν την τυπική εγγύηση για επιπλέον προϊόντα πέραν της περιόδου της τυπικής εγγύησης, κάνοντας εγγραφή στον ιστότοπο www.ryobitools.eu. Η επέκταση της των προϊόντων για την επέκταση εγγύησης («επέκταση εγγύησης») καθορίζεται στις απαιτήσεις ενός προϊόντος στον ιστότοπο στη διεύθυνση www.ryobitools.eu, ή/και περιλαμβάνονται στο σχετικό πακέτο προϊόντος στον ιστότοπο <https://www.ryobitools.eu>. Για να επιβεβαιωθεί στην επέκταση εγγύησης οι καταναλωτές να εγγραφούν να επεκτείνουν τα προϊόντα τους ηλεκτρονικά, 30 ημερομηνιών πρέπει από την ημερομηνία αγοράς για να επιβεβαιωθεί από την εν λόγω επέκταση εγγύησης. Όλα τα προσωπικά στοιχεία είναι διαθέσιμα και υποβάλλονται σε επεξεργασία σύμφωνα με τη δήλωση απορρήτου, την οποία μπορείτε να βρείτε εδώ <https://uk.ryobitools.eu/footer-links/privacy-policy/>. Η απόδειξη επιβεβαίωσης εγγραφής, η οποία αποστέλλεται μέσω e-mail, και το αρχικό τιμολόγιο που δείχνει την ημερομηνία αγοράς θα χρησιμοποιούνται ως απόδειξη της επέκτασης εγγύησης.

3. Η τυπική εγγύηση και η επέκταση εγγύησης («εγγυήσεις») περιλαμβάνουν στην αποκλειστική ή αντικατάσταση του ελαττωματικού προϊόντος κατά τη διοικητική ευχέρεια της TI, υπό την προϋπόθεση ότι το ελάττωμα στην κατασκευή ή στο υλικό υπήρξε κατά την ημερομηνία αγοράς. Δεν μπορούν να ζητηθούν περαιτέρω δαπάνες ή αποζημιώσεις. Επιπλέον, οι εγγυήσεις δεν ισχύουν για:

- Προσβεβλημένα ζημιά προκύπτει από λάθος, εκτελεσμένα ή από αμέλεια από τον καταναλωτή
- Προσβεβλημένα ζημιά στο προϊόν που οφείλεται σε ακατάλληλη μεταχείριση ή έλλειψη συντήρησης
- Προσβεβλημένα ζημιά στο προϊόν ή αλλαγή ή τροποποίηση
- Προσβεβλημένα ζημιά στο προϊόν σε αρχικές μηχανικές αναχώρησης (εμπορικό σήμα, αριθμός σειράς) έχουν αλλοιωθεί, τροποποιηθεί ή αφαιρεθεί
- Προσβεβλημένα ζημιά προκύπτει από μη τήρηση του εγχειριδίου οδηγιών
- Προϊόντα που δεν υποκείμεται σε σήμανση CE/UKCA
- Προσβεβλημένα ζημιά που έχει επιβεβαιωθεί να επισκευαστεί από μη εξουσιοδοτημένο κέντρο σέρβις ή χωρίς προηγούμενη έγκριση από την TI
- Προσβεβλημένα ζημιά συνδέεται με ακατάλληλη παραγωγή εξαρτημάτων (αμπερ, τάση, συχνότητα)
- Προσβεβλημένα ζημιά που χρησιμοποιήθηκε με ακατάλληλο μέγεθος καυσίμων (καύσιμα, λάδι, αναλογία λαδιού)
- Προσβεβλημένα ζημιά προκλήθηκε από εξωτερικούς παράγοντες (νερό, χημικά, φυσική δύναμη, τριβή/απόσβεση) ή άετες ουσίες
- Φυσιολογική φθορά και σκόσιμο ανταλλακτικών
- Ακατάλληλη χρήση, υπερφόρτωση των προϊόντων
- Χρήση μη εγκεκριμένων ανταλλακτικών ή εξαρτημάτων
- Εξοπλισμένα ηλεκτρικών εργαλείων που είναι διαθέσιμα με το εργαλείο ή πωλούνται χωριστά. Τέτοιες εξαρτημένες περιλαμβανόμενα, μεταξύ άλλων, μίτες κατασθίδων, τρυπάνια, δίσκους λείανσης, γυαλόχαρτο και λείπτες, ηλεκτρικό οδηγό
- Εξαρτήματα (αναπλάκωτα και εξαρτήματα) τα οποία υπόκεινται σε φυσιολογική φθορά, που περιλαμβάνονται, μεταξύ άλλων, κλιπ συντήρησης και σέρβις, αντάρια, ρουλεμάν, τοακ, προσαρμογή ή υποδοχή προηγούμενου SDS, καλώδιο προοδόντας, βελήνη/λαβή, θήκη μεταφοράς, πλακά λείανσης, σκούρα αναρρόφησης σκόνης, αυλάκια εξαρτημάτων σκόνης, τριγωνές ροδέες, πέτρας και λάμπρα κλειδών ασφαλείας, κομμάτια γυαλισμού, μάνιες μετάδοσης κίνησης, συμπλεκτικά, λείπτες για μηχανοργάνωση ή γυαλιστικό εξάρτημα, καλώδιο γκαζού, λείπτες, πέτρας σύνθεσης, ανιχνευτές, αμύλητες φωνήεντα και αναρροφητήρα, σκόους κούβου και μόντες, ραβδός οδηγήσης, ανιχνευτές, ανιχνευτές, εύκαμπτος σωλήνας, εξαρτήματα συνδέσεων, ακροφύσια ψεκασμού, φίλτρα, ραβδός ψεκασμού, εισπρακτικό κρούσης, εξωτερικές σπείρες, γραμμές κοπής, μπουκί, φίλτρα αέρα, φίλτρα αερίου, λείπτες κοπής χειροποίητο/σπαστός κ.λπ.

4. Για την παροχή υπηρεσιών εγγύησης, τα προϊόντα πρέπει να αποστέλλονται ή να παρουσιάζονται χωρίς διαδικασία/την καθυστέρηση μετά την εμφάνιση ή την αναγνώριση του ελαττωματος στην κατασκευή ή στο υλικό σε έναν εξουσιοδοτημένο συνεργείο σέρβις RYOBI που αναφέρεται στον παρακάτω ιστότοπο <https://www.ryobitools.eu>. Οι καταναλωτές μπορούν να λάβουν την υπηρεσία στο πλαίσιο των εγγυήσεων από ένα ανεξάρτητο σέρβις της RYOBI με τους όρους τριτογενούς:

a. επικοινωνία με το κατάστημα λιανικής πώλησης από όπου πραγματοποιήθηκε η αγορά ή

β. εγγραφή μέσω της πλατφόρμας υπηρεσιών που είναι διαθέσιμη στην εμπορική ιστοσελίδα RYOBI <https://www.ryobitools.eu>. Η διαδικασία/την της διαδικασίας ενδέχεται να διαφέρει από χώρα σε χώρα.

Κατά την αποστολή ενός προϊόντος σε έναν εξουσιοδοτημένο συνεργείο σέρβις της RYOBI, το προϊόν θα συνοδεύεται με ασφαλή γυαλί επικίνδυνα περιεχόμενα (για λεπτομέρειες ανατρέξτε στις οδηγίες ασφαλείας στον ιστότοπο <https://www.ryobitools.eu>), θα επιστοιχιστεί με τη διεύθυνση του αποστολέα και θα συνοδεύεται από σύντομη περιγραφή του ελαττώματος. Λάβετε υπόψη ότι σε ορισμένες χώρες η έδρα αποστολής ή τα ταχυδρομικά τέλη θα πρέπει να καταβάλλονται από τον αποστολέα σύμφωνα με την τοπική πρακτική. Συμπεριλάβετε το τοπικό εξουσιοδοτημένο κέντρο σέρβις RYOBI για να επιβεβαιωθείτε εάν ισχύουν αυτές οι χρεώσεις.

5. Αφού παραλάβουμε το προϊόν που ο καταναλωτής ισχυρίζεται ότι είναι ελαττωματικό, θα το ελέγξουμε. Μετά την επιβεβαίωση του ελαττώματος, οι υπηρεσίες στο πλαίσιο των εγγυήσεων θα παρέχονται με την επισημοποιημένη ελαττωματικού προϊόντος ή με την αντικατάστασή τους από μια ελαττωματικού εξαρτήματα κατά τη διοικητική ευχέρεια της TI. Εάν η TI αρνηθεί να επιδοτήσει το ελάττωμα ή εάν, κατά τη διοικητική ευχέρεια της TI, η επαστική αποτυχία, θα παρασχεθεί πρόβλημα ανταλλακτικό. Τα προϊόντα ή τα εξαρτήματα που αντικαθίστανται θα περιέλθουν στην ιδιοκτησία της TI. Οι αποσπασμένες επισκευές/αντικατάσταση στο πλαίσιο των παρόντων εγγυήσεων παρέχεται δωρεάν. Οι επισκευές/αντικατάστασεις που πραγματοποιούνται από την TI δεν αποτελούν επίσκεψη ή εκ νέου έναρξη των εγγυήσεων. Τα ανταλλακτικά που αντικαθίστανται καλύπτονται από τις εγγυήσεις που είχαν αρχικά δοθεί και η περίοδος εγγύησης ήλθει με την περίοδο εγγύησης που είχε αρχικά δοθεί για ολόκληρο το προϊόν.

6. Οι εγγυήσεις RYOBI παρέχονται από την Techtronic Industries GmbH, Max-Eyth-Str.10, 71364 Winnenden, Γερμανία, μόνο στον καταναλωτή που αγοράσε αρχικά το προϊόν και δεν επιτρέπεται να μεταβιβαστεί ή να εκχωρηθεί.

7. Οι εγγυήσεις ισχύουν για τον Ευρωπαϊκό Οικονομικό Χώρο (ΕΟΧ), την Ελλάδα και το Ηνωμένο Βασίλειο. Εκτός των περιόχων αυτών, επικοινωνήστε με το κατάστημα λιανικής όπου πραγματοποιήθηκε η αγορά για να μάθετε αν ισχύει κάποια άλλη προαιρετική εγγύηση.

ΕΞΟΥΣΙΟΔΟΤΗΜΕΝΟ ΚΕΝΤΡΟ ΣΕΡΒΙΣ

Για αποδείξεις αίτημα ή πρόβλημα με το προϊόν μπορείτε να απευθύνεσθε στα τοπικά εξουσιοδοτημένα κέντρα σέρβις (επισκευή/την www.ryobitools.eu) ή απευθείας στη διεύθυνση: Techtronic Industries GmbH, Max Eyth Straße 10, 71364 Winnenden, Germany. Αναφέρετε τον σειριακό αριθμό και τον τύπο προϊόντος που αναρρόφηση στην επέκτα.



EN EC DECLARATION OF CONFORMITY

18V Multi-tool

Brand: RYOBI | Manufacturer¹ | Model number² | Serial number range³

We declare as the manufacturer under our sole responsibility that the product mentioned below fulfills all the relevant provisions of the following European Directives, European Regulations and harmonised standards⁴

Authorised to compile the technical file:⁵

FR DÉCLARATION CE DE CONFORMITÉ

Multi-outils 18V

Marque: RYOBI | Fabricant¹ | Numéro de modèle² | Étendue des numéros de série³

Nous déclarons, en qualité de fabricant, sous notre entière responsabilité, que le produit mentionné ci-dessous remplit toutes les dispositions pertinentes des directives et réglementations européennes suivantes, ainsi que des normes harmonisées⁴

Autorisé à rédiger le dossier technique:⁵

DE EG-KONFORMITÄTSEKTLÄRUNG

18V Multitool

Marke: RYOBI | Hersteller¹ | Modellnummer² | Seriennummernbereich³

Wir als Hersteller erklären in alleiniger Verantwortung, dass das nachstehend erwähnte Produkt allen einschlägigen Bestimmungen der folgenden EU-Richtlinien, EU-Verordnungen und harmonisierten Normen entspricht⁴

Autorisiert die technische Datei zu erstellen:⁵

ES DECLARACIÓN CE DE CONFORMIDAD

Multiherramienta de 18 V

Marca: RYOBI | Fabricante¹ | Número de modelo² | Intervalo del número de serie³

Como fabricante, declaramos, bajo nuestra exclusiva responsabilidad, que el producto mencionado a continuación cumple con todas las disposiciones relevantes de las siguientes directivas, normas armonizadas y reglamentos europeos⁴

Autorizado para elaborar la ficha técnica:⁵

IT DICHIARAZIONE CE DI CONFORMITÀ

Multitensile 18 V

Marca: RYOBI | Ditta produttrice¹ | Numero modello² | Gamma numero seriale³

In qualità di produttore, dichiariamo, sotto la nostra esclusiva responsabilità, che il prodotto descritto di seguito ottempera a tutte le pertinenti disposizioni delle seguenti direttive europee, normative europee e dei seguenti standard armonizzati⁴

Autorizzato per compilare il file tecnico:⁵

NL EG-VERKLARING VAN OVEREENSTEMMING

18 V multi-gereedschap

Merk: RYOBI | Fabrikant¹ | Modelnummer² | Seriennummerbereik³

Wij verkelen naar onze eigen verantwoordelijkheid als fabrikant, dat het hieronder genoemde product voldoet aan alle relevante bepalingen van de volgende Europese richtlijnen, Europese verordeningen en geharmoniseerde normen⁴

Afgevaardigde voor het samenstellen van de technische fiche:⁵

PT DECLARAÇÃO CE DE CONFORMIDADE

Multi-ferramenta de 18V

Marca: RYOBI | Fabricante¹ | Número do modelo² | Intervalo do número de série³

Declaramos na qualidade de fabricante e sob nossa exclusiva responsabilidade que o produto mencionado abaixo cumpre todas as disposições aplicáveis das seguintes diretivas, regulamentos e normas harmonizadas da União Europeia⁴

Autorizado para compilar o ficheiro técnico:⁵

DA EF-OVERENSSTEMMELSEKTLÆRING

18V multiværktøj

Brand: RYOBI | Producent¹ | Modelnummer² | Seriennummerområde³

Vi erklærer som fremstiller under eget ansvar, at produktet nævnt nedenfor opfylder alle de relevante forskrifter i de følgende europæiske direktiver, europæiske forordninger og harmoniserede standarder⁴

Bemyndiget til at udarbejde det tekniske kartotek:⁵

SV EG-FÖRSÅKRAN ÖVERENSSTÄMMELSE

18 V Multiredskap

Marke: RYOBI | Tillverkare¹ | Modellnummer² | Seriennummerintervall³

Vi som tillverkare förklarar under eget ansvar att den produkt som nämns nedan uppfyller alla relevanta föreskrifter i följande europeiska direktiv, europeiska förordningar och harmoniserade standarder⁴

Godkänd att sammanställa den tekniska filen:⁵

FI EY-VAATIMUSTENMUKAISUUSVAKUUTUS

18 V monitoimitusväkalu

Tuotemerkki: RYOBI | Valmistaja¹ | Mallinumero² | Sarjanumeroalue³

Valmistajana vakuutamme alla mainitun tuotteen täyttävän seuraavien eurooppalaisten direktiivien, asetusten ja yhdenmukaistettujen standardien kaikki asiaankuuluvat vaatimukset⁴

Valtuutettu kokoamaan tekninen tiedosto:⁵

NO CE-SAMSVARERKLÆRING

18 V multiverktøy

Merk: RYOBI | Producent¹ | Modellnummer² | Seriennummerserie³

Vi erklærer, som produsent, på eget ansvar at produktet beskrevet nedenfor oppfyller alle de relevante bestemmelserne i de europeiske direktiver, europeiske forskrifter og harmoniserte standarder⁴

Autorisert til å sette sammen den tekniske filen:⁵

RU ДЕКЛАРАЦИЯ О СООТВЕТСТВИИ СТАНДАРТАМ ЕС

Многофункциональный инструмент 18 В

Марка: RYOBI | Изготовитель¹ | Номер модели² | Диапазон заводских номеров³

Со всей ответственностью как производитель заявляю, что нижеупомянутое изделие отвечает всем соответствующим положениям следующих европейских директив, европейских регламентов, а также гармонизированных стандартов⁴

Лицо, ответственное за подготовку технической документации:⁵

PL DEKLARACJA ZGODNOŚCI WE

Narzędzie uniwersalne 18 V

Marka: RYOBI | Producent¹ | Numer modelu² | Zakres numerów seryjnych³

Jako producent oświadczamy na własną odpowiedzialność, że produkt opisany w sekcji „Specyfikacja” spełnia wszystkie istotne postanowienia wymienionych poniżej dyrektyw UE, przepisów europejskich oraz norm zharmonizowanych⁴

Osoba upoważniona do sporządzenia dokumentu technicznego:⁵

CS ES PROHLÁŠENÍ O SHODĚ

18V multifunkční nářadí

Značka: RYOBI | Výrobce¹ | Číslo modelu² | Rozsah sériových čísel³

Jako výrobce prohlašujeme výhradně na vlastní odpovědnost, že níže uvedený výrobek splňuje všechna příslušná ustanovení evropských směrnic, evropských nařízení a harmonizovaných norem⁴

Pověření ke kompilaci technického souboru:⁵

HU EK-MEGFELELŐSÉGI NYILATKOZATA

18 V-os többfunkciós gép

Márka: RYOBI | Gyártó¹ | Típuszám² | Sorozatszám tartomány³

Gyártóként kizárólagos felelősségünk tudatában nyilatkozunk, hogy az alább említett termék megfelel a következő európai irányelvek, szabályzások és harmonizált szabványok vonatkozó rendelkezéseinek⁴

A műszaki dokumentáció összeállítására felhatalmazott:⁵

RO DECLARAȚIE DE CONFORMITATE CE

Unealtă multifuncțională cu acumulator de 18V

Marcă: RYOBI | Producător¹ | Număr serie² | Gamă număr serie³

În calitate de producător, declarăm pe proprie responsabilitate că produsul menționat mai jos îndeplinește toate prevederile relevante ale directivelor Uniunii Europene, ale Regulamentelor UE și standardele armonizate⁴

Autorizat să completeze fișa tehnică:⁵

LV EK ATBILSTĪBAS DEKLARĀCIJA

18V Daudzfunkcionālais instruments

Zīmols: RYOBI | Ražotājs¹ | Modeļa numurs² | Sērijas numura intervāls³

Ar pilnu atbildību mēs kā ražotājs deklarējam, ka tālāk norādītais produkts izpilda visas atbilstošās norādīto Eiropas direktīvu, Eiropas regulu un harmonizēto standartu prasības⁴

Pilnvarots sastādīt tehnisko failu:⁵

LT EB ATITIKTIES DEKLARACIJA

18 V Universalsusis įrankis

Prekės ženklas: RYOBI | Gamintojas¹ | Modelio numeris² | Serijinio numerio diapazonas³

Mes, gamintojai, atsakingai pareiškiame, kad toliau minimas gaminytis atitinka nurodytus Europos direktyvas, Europos reglamentus ir darniusius standartus⁴

Igaliotas sudaryti techninį failą:⁵

ET EÜ VASTAVUSDEKLARATSIOON

18 V universaalitööriist

Mark: RYOBI | Tootja¹ | Mudeli number² | Seerianumbri vahemik³

Kinnitame tootjana ainuiskuliselt, et allpool nimetatud toode vastab järgmistele Euroopa direktiivide, Euroopa määruste ja tütlustatud standardite kõigile asjaomastele sätetele⁴

Tehnilise faili koostamiseks volitatud isik:⁵

HR IZJAVA O SUKLADNOSTI

Višenamjenski alat od 18 V

Marka: RYOBI | Proizvođač¹ | Broj modela² | Raspon serijskog broja³

Kao proizvođač, pod punom odgovornošću izjavljujemo da proizvod naveden u nastavku zadovoljava sve relevantne odredbe sljedećih europskih direktiva, europskih uredbi i usklađenih normi⁴

Ovlašten da sastavi tehničku datoteku:⁵

SL ES-IZJAVA O SKLADNOSTI

Večnamensko orodje 18 V

Znamka: RYOBI | Proizvajalec¹ | Številka modela² | Razpon serijskih števil³

Kot proizvajalec pod izključno lastno odgovornostjo izjavljamo, da spodaj navedeni izdelek izpolnjuje vse ustrezne predpise naslednjih evropskih direktiv, evropskih uredb in harmoniziranih standardov⁴

Pooblaščenca oseba za sestavo tehnične dokumentacije.⁵

SK ES VYHLÁSENIE O ZHODE

18 V viacúčelové náradie

Značka: RYOBI | Výrobca¹ | Číslo modelu² | Rozsah sériových čísiel³

Ako výrobca na vlastnú zodpovednosť vyhlasujeme, že dolu uvedený výrobok vyhovuje príslušným ustanoveniam nasledujúcich európskych smerníc, európskych nariadení a harmonizovaných noriem⁴

Oprávnená osoba na zostavenie technického súboru.⁵

BG CE - ДЕКЛАРАЦИЯ ЗА СЪОТВЕТСТВИЕ

18V мулти-инструмент

Марка: RYOBI | Производител¹ | Номер на модела² | Обхват на серийни номера³

Като производител декларираме на своя лична отговорност, че продуктът, посочен по-долу, отговаря на всички съответни разпоредби на директивите и регламентите на Европейския съюз и хармонизираните стандарти по-долу⁴

Упълномощено лице за съставяне на техническия файл.⁵

UK СЕРТИФИКАТ ВІДПОВІДНОСТІ ВИМОГАМ ЄС

Багатофункціональний пристрій 18В

Марка: RYOBI | Виробник¹ | Номер моделі² | Діапазон серійного номеру³

Як виробник ми відповідально заявляємо, що описаний нижче пристрій відповідає всім чинним положенням директив ЄС, Європейських норм та гармонізованих стандартів⁴

Дозвіл на складання технічного файлу.⁵

TR CE UYGUNLUK BEYANI

18 V Çok işlevli alet

Marka: RYOBI | Üretici¹ | Model numarası² | Seri numarası aralığı³

Üretici olarak tüm sorumluluğu bize ait olmak üzere, aşağıda belirtilen ürünün aşağıdaki Avrupa Direktifleri, Avrupa Mevzuatı ve uyumlaştırılmış standartların ilgili hükümlerini yerine getirdiğini beyan ederiz⁴

Teknik dosyası hazırlamaya yetkilidir.⁵

EL ΔΗΛΩΣΗ ΣΥΜΜΟΡΦΩΣΗΣ ΕΚ

Πολυεργαλείο 18V

Μάρκα: RYOBI | Κατασκευαστής¹ | Αριθμός μοντέλου² | Εύρος σειριακών αριθμών³

Δηλώνουμε, με αποκλειστικά δική μας ευθύνη, ότι το παρακάτω αναφερόμενο προϊόν πληρεί όλες τις σχετικές διατάξεις των ακόλουθων Ευρωπαϊκών Οδηγιών, Ευρωπαϊκών Κανονισμών και εναρμονισμένων προτύπων⁴

Εξουσιοδοτημένο άτομο για σύνταξη τεχνικού αρχείου.⁵

GB-DECLARATION OF CONFORMITY

Manufacturer: Techtronic Industries GmbH
Max-Eyth-Straße 10, 71364 Winnenden, Germany

We declare as the manufacturer under our sole responsibility that the product mentioned below

18V Multi-tool
Brand: RYOBI
Model number: R18MT TYPE II
Serial number range: 44459505000001 - 44459505999999

fulfills all the relevant provisions of the following Regulations: S.I. 2008/1597 (as amended), S.I. 2016/1091 (as amended), S.I. 2012/3032 (as amended) and that the following designated standards have been used:

BS EN IEC 55014-1:2021, BS EN IEC 55014-2:2021,
BS EN 62841-1:2015+A11:2022, BS EN 62841-2-4:2014,
BS EN IEC 63000:2018

Todd Chipner
Senior Vice President, Quality – Asia
Winnenden, Dec. 22, 2023

Authorised to compile the technical file:
Techtronic Industries (UK) Ltd
Parkway
Marlow Bucks SL7 1YL
UK

¹ Techtronic Industries GmbH
Max-Eyth-Straße 10, 71364 Winnenden, Germany

² R18MT TYPE II

³ 44459505000001 - 44459505999999

⁴ 2006/42/EC, 2014/30/EU, 2011/65/EU,
EN IEC 55014-1:2021, EN IEC 55014-2:2021,
EN 62841-1:2015+A11:2022, EN 62841-2-4:2014
EN IEC 63000:2018

Todd Chipner
Senior Vice President, Quality – Asia
Winnenden, Dec. 22, 2023

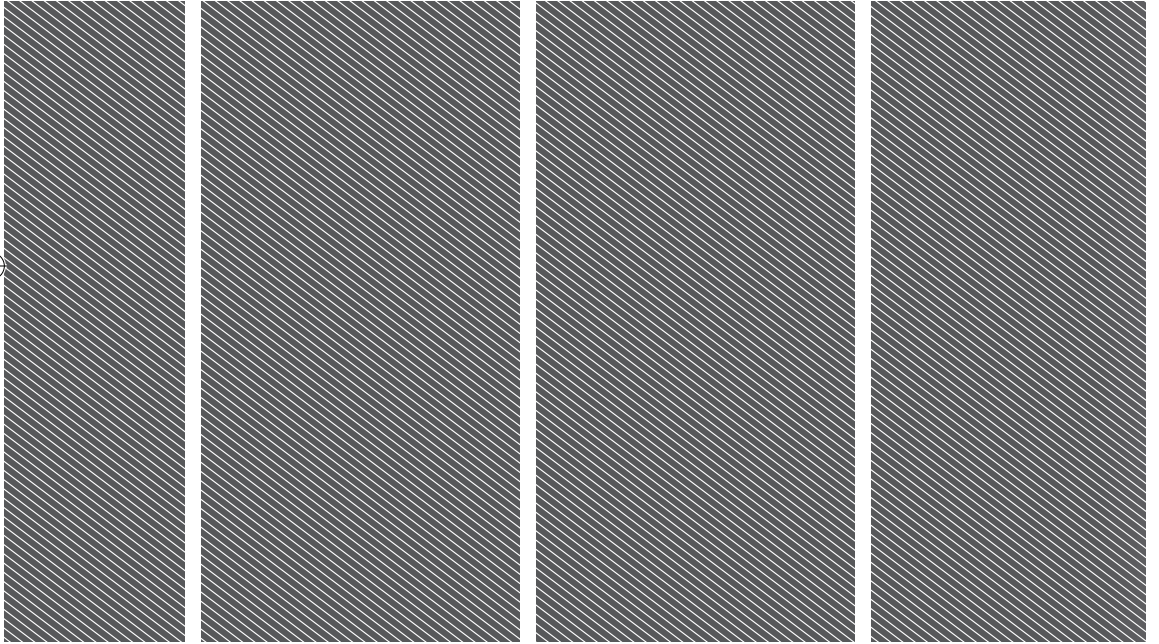
⁵ Techtronic Industries GmbH
Max-Eyth-Straße 10, 71364 Winnenden, Germany





EN RYOBI is a trade mark of Ryobi Limited, and is used under license.
FR RYOBI est une marque déposée de Ryobi Limited, et est utilisée sous licence.
DE RYOBI ist ein Markenzeichen von Ryobi Limited und wird in Lizenz verwendet.
ES RYOBI es una marca registrada de Ryobi Limited, y se utiliza bajo licencia.
IT L'utilizzo del marchio registrato RYOBI è legato alla licenza concessa da Ryobi Limited.
NL RYOBI is een handelsmerk van Ryobi Limited en wordt onder licentie gebruikt.
PT RYOBI é uma marca comercial de Ryobi Limited, e é utilizada sob licença.
DA RYOBI er et varemærke tilhørende Ryobi Limited og bruges under licens.
SV RYOBI är en del av varumärke Ryobi Limited och dess användning är licensierad.
FI RYOBI on Ryobi Limitedin omistama tavaramerkki, ja sitä käytetään lisenssin puitteissa.
NO RYOBI er et varemerke for Ryobi Limited, og brukes under lisens.
RU RYOBI является товарным знаком компании Ryobi Limited, используемым по лицензии.
PL RYOBI to znak towarowy firmy Ryobi Limited i jest używany zgodnie z udzieloną licencją.
CS RYOBI je ochranná známka společnosti Ryobi Limited a její používání podléhá licenci.
HU A RYOBI a Ryobi Limited védjegye, használatát licenc keretében történik.
RO RYOBI este o marcă comercială a firmei Ryobi Limited și este utilizată sub licență.
LV RYOBI ir Ryobi Limited preču zīme un tiek izmantota saskaņā ar licenci.
LT „RYOBI” yra „Ryobi Limited” prekės ženklas, naudojamas pagal licenciją.
ET RYOBI on ettevõtte Ryobi Limited kaubamärk, mida kasutatakse litsentsi alusel.
HR RYOBI je žig tvrtke Ryobi Limited i koristi se po licenci.
SL RYOBI je blagovna znamka družbe Ryobi Limited in se uporablja na podlagi dovoljenja.
SK RYOBI je ochranná známka spoločnosti Ryobi Limited a používa sa na základe licencie.
BG RYOBI е търговска марка на Ryobi Limited и се използва под лиценз.
UK RYOBI є товарним знаком Ryobi Limited, і використовується за ліцензією.
TR RYOBI, Ryobi Limited şirketine ait olup, lisans altında kullanılan bir ticari markadır.
EL Το RYOBI αποτελεί εμπορικό σήμα της Ryobi Limited και χρησιμοποιείται μετά από χορήγηση άδειας.





Techtronic Industries GmbH
Max-Eyth-Straße 10,
71364 Winnenden, Germany

Techtronic Industries (UK) Ltd
Parkway
Marlow Bucks SL7 1YL
UK

20231222v8

