



LOG SPLITTER

OPERATING INSTRUCTIONS - Original instructions

SV VEDKLYV

BRUKSANVISNING

Översättning av originalinstruktioner

DE HOLZSPALTER

BEDIENUNGSANLEITUNG

Übersetzung der Originalanleitung

NO VEDKLØYVER

BETJENINGSANVISNINGER

Oversettelse av originalinstruksjonene

FI KLAPIKONE

KÄYTTÖOHJE

Alkuperäisten ohjeiden käännös

DA BRÆNDEKLØVER

BETJENINGSVEJLEDNING

Oversættelse af den originale vejledning

FR FENDEUR DE BÛCHES

INSTRUCTIONS D'UTILISATION

Traduction des instructions d'origine

PL ŁUPARKA DO DREWNA

INSTRUKCJA OBSŁUGI

Przekład instrukcji oryginalnej

NL HOUTKLOOFMACHINE

BEDIENINGSINSTRUCTIES

Vertaling van de originele instructies

Jula AB förbehåller sig rätten att göra ändringar på produkten. Jula AB innehar upphovsrätten till denna dokumentation. Det är inte tillåtet att modifiera eller ändra denna dokumentation på något sätt och bruksanvisningen ska skrivas ut och användas som den är i förhållande till produkten. Se Julas webbplats för den senaste versionen av bruksanvisningen.

Jula AB forbeholder seg retten til å endre produktet. Jula AB innehar opphavsretten til denne dokumentasjonen. Det er ikke tillatt å modifisere eller endre denne dokumentasjonen på noen som helst måte, og håndboken skal trykkes og brukes som den er i forhold til produktet. For siste versjon av betjeningsanvisningene, se Julas nettsider.

Jula AB forbeholder sig retten til at ændre produktet. Jula AB har ophavsretten til denne dokumentation. Det er ikke tilladt at modificere eller ændre denne dokumentation på nogen måde, og manualen skal printes og bruges som den er i forhold til produktet. For den seneste version af betjeningsvejledningen, se Julas hjemmeside.

Jula AB zastrzega sobie prawo do wprowadzania zmian w produkcie. Jula AB zastrzega sobie prawa autorskie do niniejszej dokumentacji. Dokumentacji nie wolno w żaden sposób modyfikować ani zmieniać, a instrukcję należy drukować i używać ją w odniesieniu do produktu w stanie niezmienionym. Najnowszą wersję instrukcji obsługi można znaleźć na stronie internetowej Jula.

Jula AB reserves the right to make changes to the product. Jula AB claims copyright on this documentation. It is not allowed to modify or alter this documentation in any way and the manual shall be printed and used as it is in relation to the product. For the latest version of operating instructions, refer to the Jula website.

Jula AB behält sich das Recht vor, Änderungen am Produkt vorzunehmen. Jula AB beansprucht die Urheberrechte an dieser Dokumentation. Es ist nicht zulässig, diese Dokumentation in irgendeiner Weise zu verändern oder umzugestalten. Die Anleitung muss gedruckt und so verwendet werden, wie sie in Bezug zum Produkt steht. Die aktuellste Version der Bedienungsanleitung finden Sie auf der Website von Jula.

Jula AB pidättää oikeuden tehdä tuoteeseen muutoksia. Jula AB:llä on tämän dokumentaation tekijänoikeus. Tätä dokumentaatiota ei saa muuttaa millään tavalla ja käyttöopas on tulostettava ja sitä on käytettävä sellaisena kuin se on tämän tuotteen kanssa. Käyttöohjeiden uusin versio löytyy Julan verkkosivustolta.

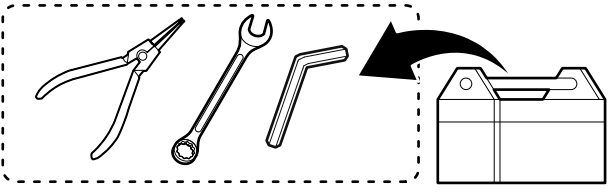
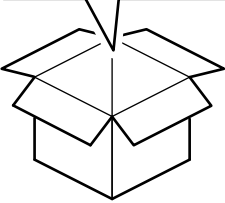
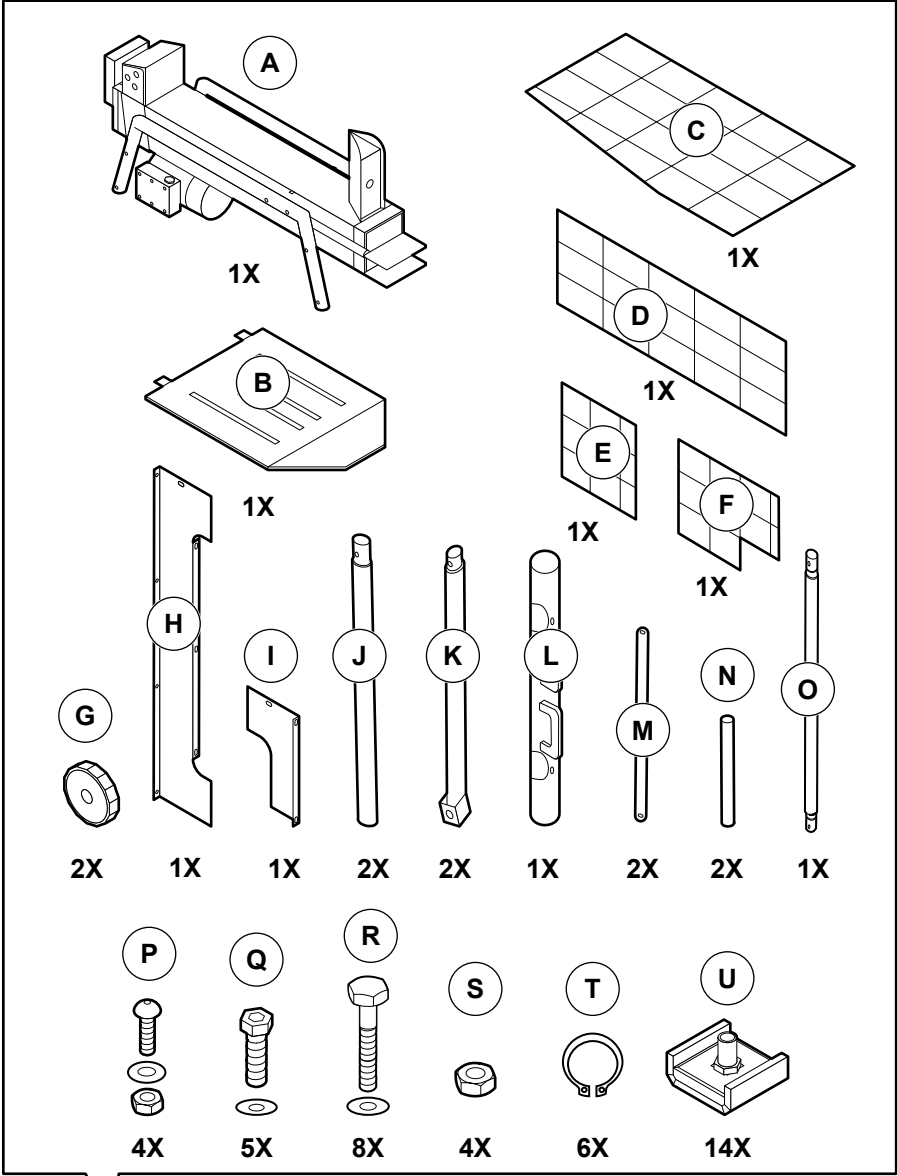
Jula AB se réserve le droit d'apporter des modifications au produit. Jula AB revendique les droits d'auteur sur cette documentation. Il est interdit de modifier ou d'altérer cette documentation de quelque manière que ce soit et le manuel doit être imprimé et utilisé tel quel en relation avec le produit. Pour obtenir la dernière version des instructions d'utilisation, consultez le site Web de Jula.

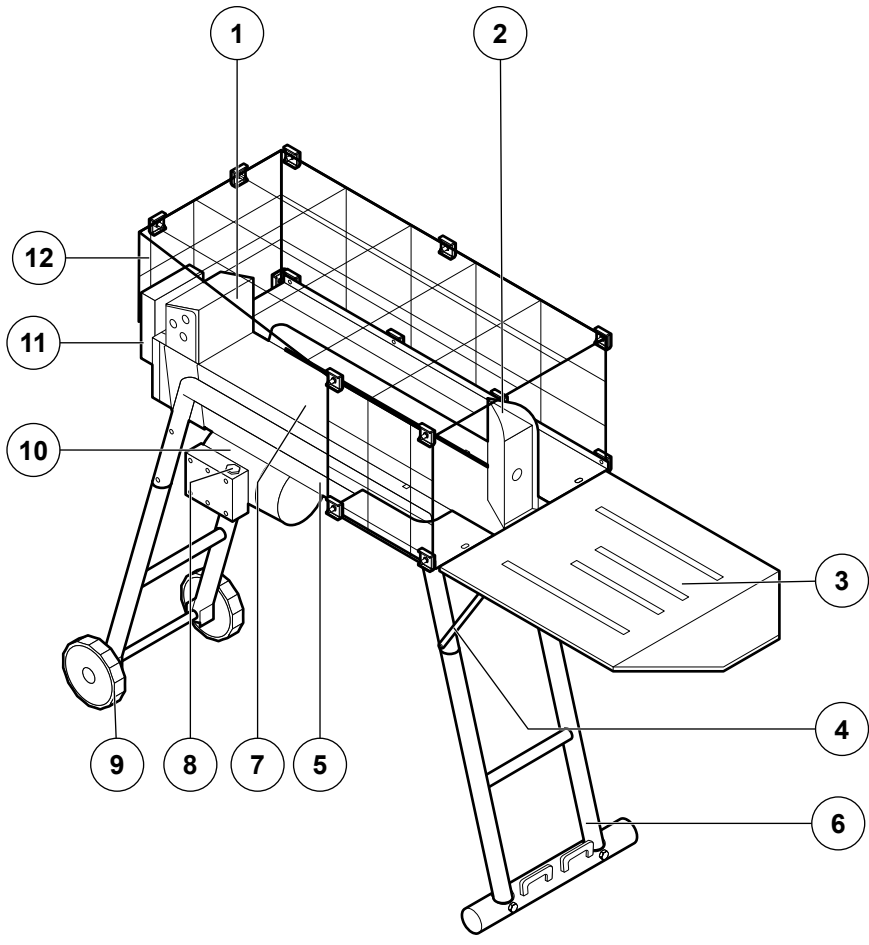
Jula AB behoudt zich het recht voor om wijzigingen aan het product aan te brengen. Jula AB claimt het copyright op deze documentatie. Het is niet toegestaan om deze documentatie op welke manier dan ook te wijzigen of te veranderen. De handleiding moet worden afgedrukt en gebruikt zoals deze in relatie tot het product staat. Raadpleeg de Jula-website voor de laatste versie van de bedieningsinstructies.

WWW.JULA.COM

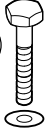



© JULA AB 2026-04-27

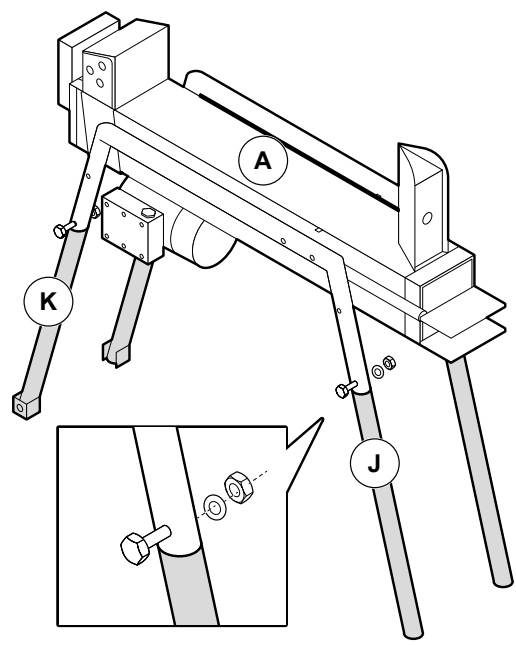
**JULA AB
BOX 363, 532 24 SKARA, SWEDEN**







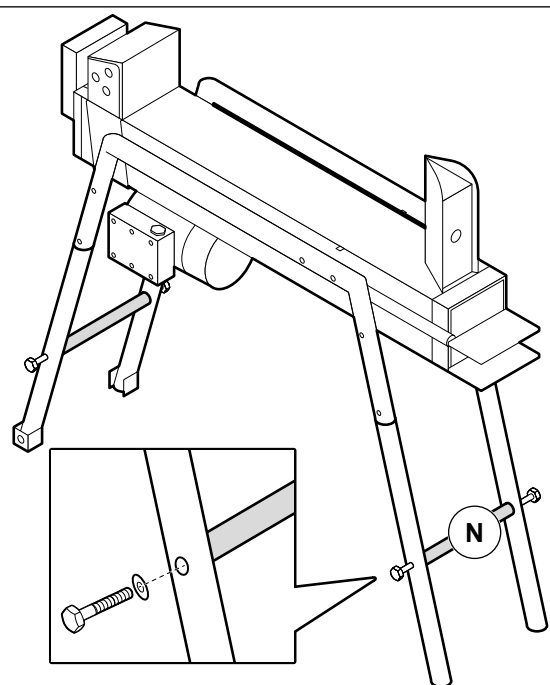
2

-  **R** 4X
-  **S** 4X
-  **K** 2X
-  **J** 2X



3

-  **R** 4X
-  **N** 2X



4

T



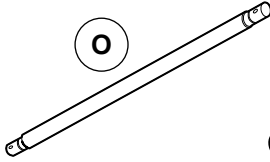
4X

G

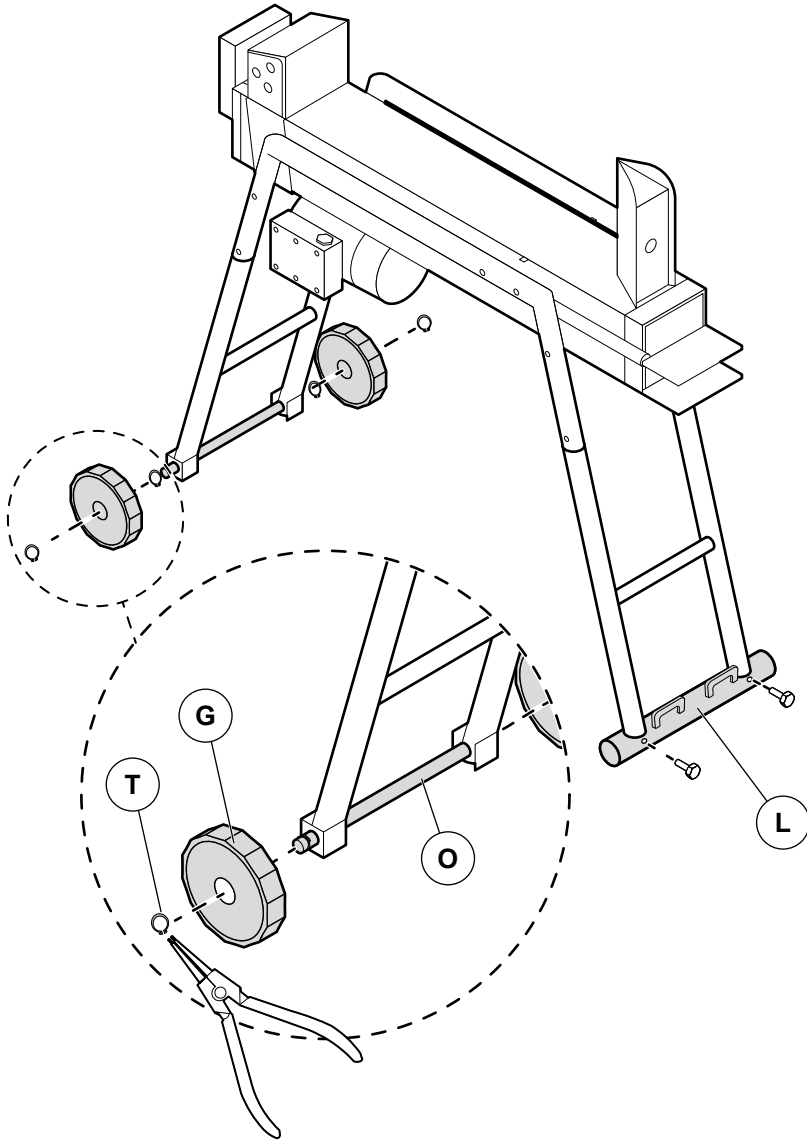
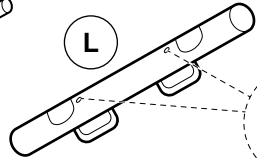


2X

O



L



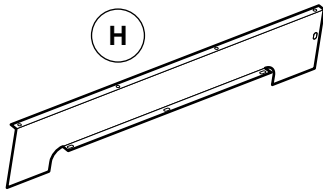
5

Q

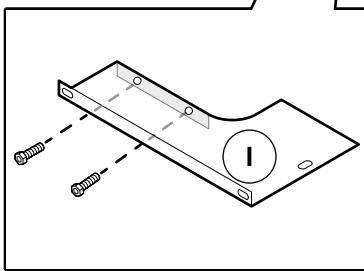
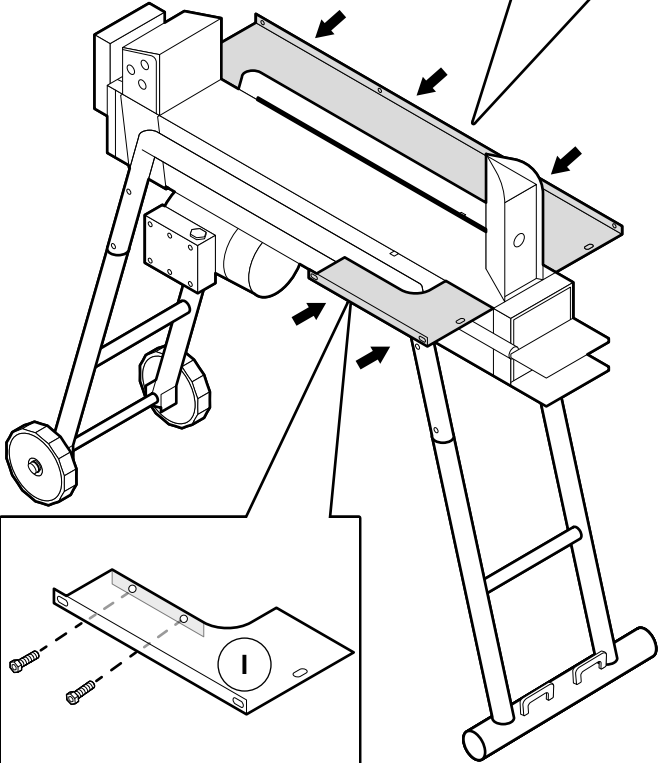
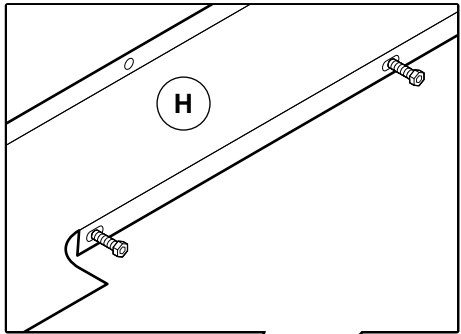
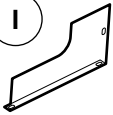


5X

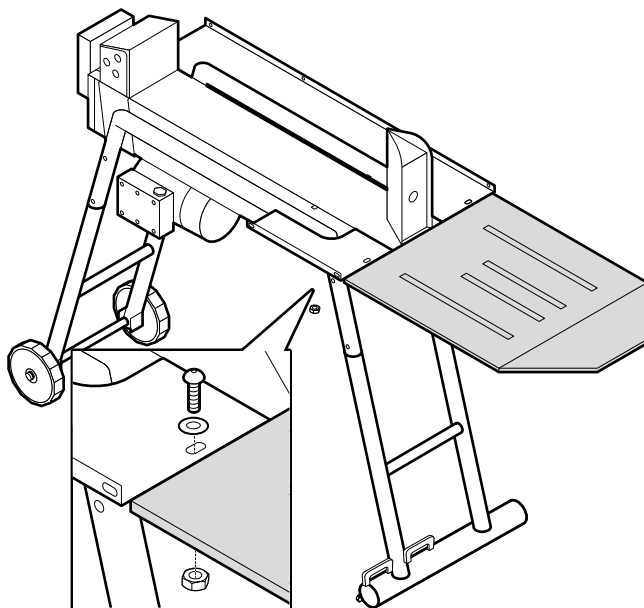
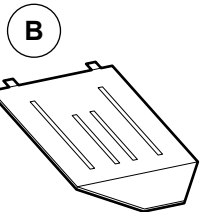
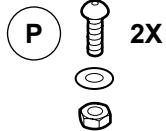
H



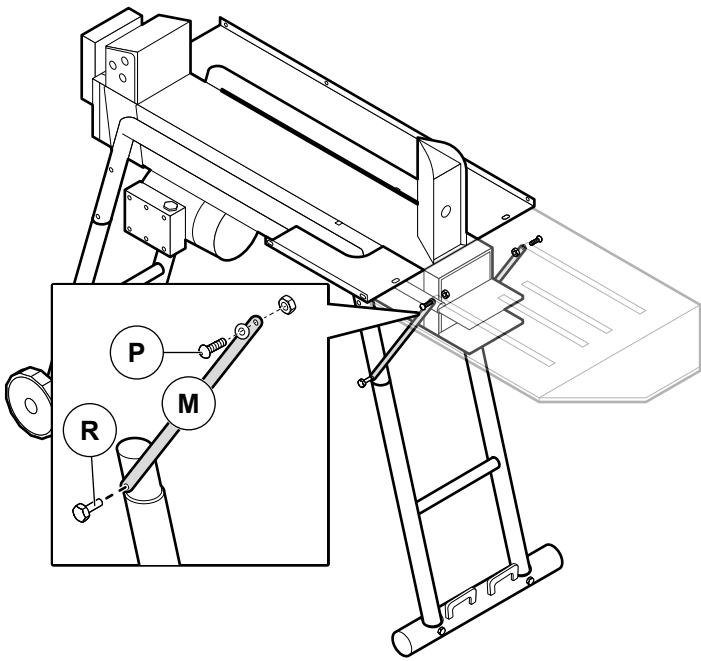
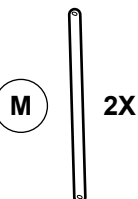
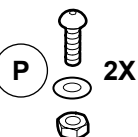
I



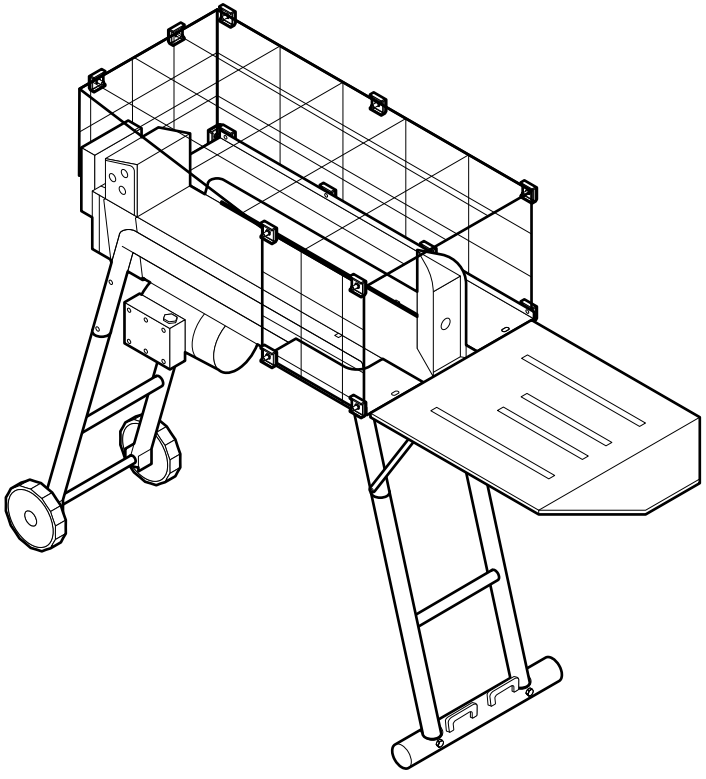
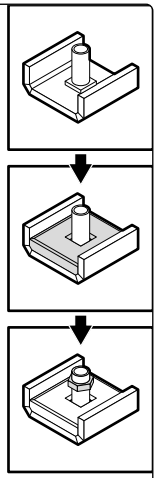
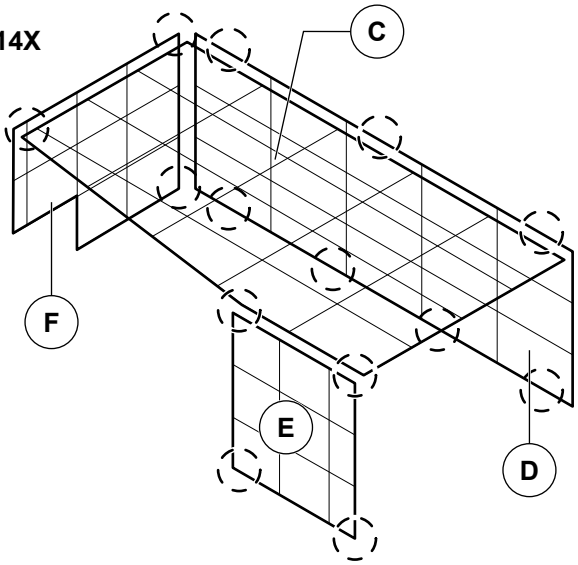
6



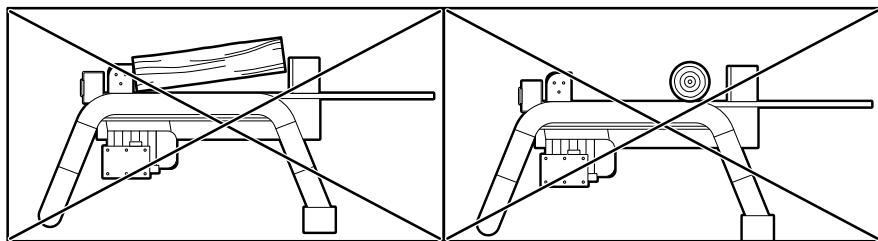
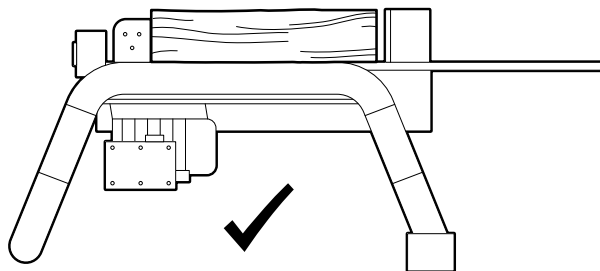
7



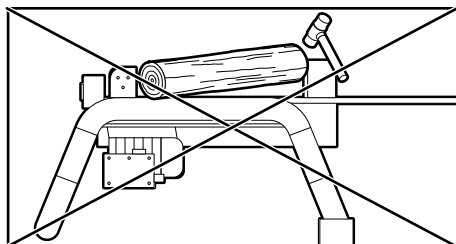
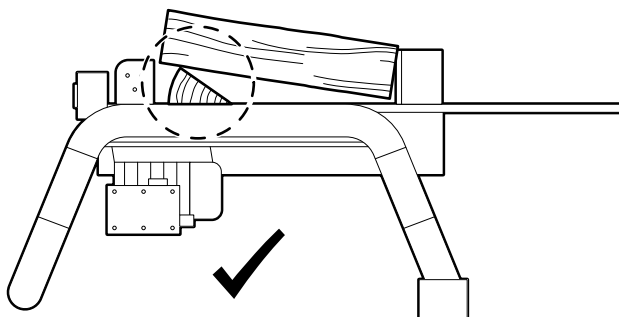
U 14X



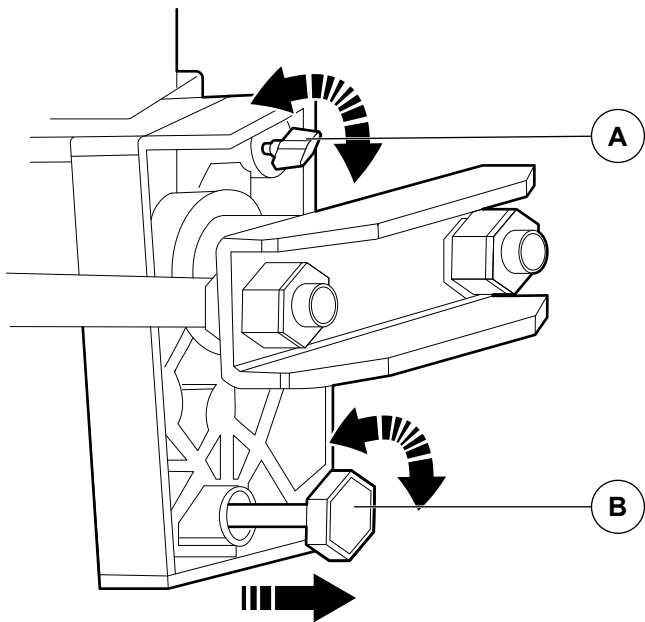
9



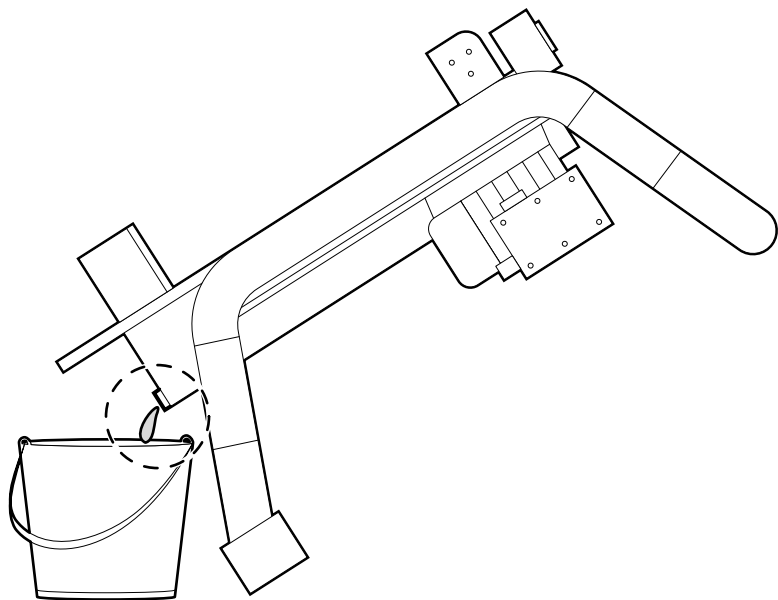
10



11



12



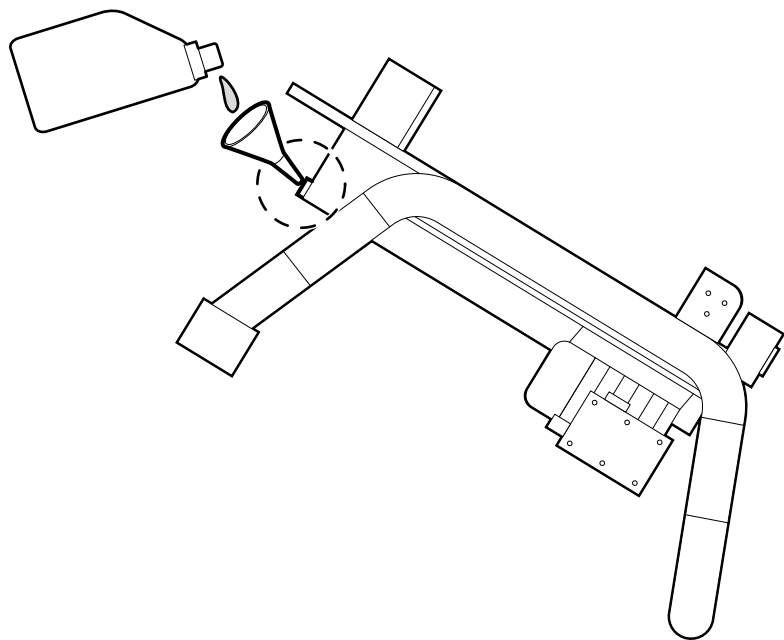


Table of contents

1 Introduction	13
1.1 Product description.....	13
1.2 Intended use.....	13
1.3 Symbols	13
1.4 Product overview	14
2 Safety	14
2.1 Safety definitions.....	14
2.2 Safety instructions for operation.....	14
3 Assembly	15
3.1 To assemble the product.....	15
3.2 Operation	15
3.3 To do before the operation.....	15
4 Maintenance	16
4.1 To do a functional test of the two-handed safety control device.....	16
4.2 To vent the hydraulic system.....	16
4.3 To do a check of the hydraulic oil	17
4.5 To clean the product.....	17
5 Troubleshooting	18
7 Service	18
8 Disposal	18
9 Technical data	19

1 Introduction

1.1 Product description


The product is an electric log splitter.

1.2 Intended use

The product is intended to split wooden logs. The product is intended for household use.

1.3 Symbols

	Read the operating instructions carefully and make sure that you understand the instructions before you use the product. Save the instructions for future reference.
	This product complies with applicable EU directives and regulations.
	Wear approved safety equipment.
	Wear protective gloves.
	Wear protective boots.
	Warning! Risk of electrical shock.
	Pull out the power plug before you do adjustments, servicing or maintenance on the product.
	Keep persons and animals at a safe distance from the work area.
	Warning! Moving parts. Keep body parts away.
	Warning! Pinch risk! Keep your hands at a safe distance from cracks in the wood.
	Warning! Moving parts. Keep body parts away.

	Always recycle used oil. Do not pour oil into drains, the ground or in water.
	Do not operate with guard removed.
	Examine the product before use.
	Recycle as electrical waste.

1.4 Product overview

(Figure 1)

1. Push plate
2. Splitting wedge
3. Outfeed table
4. Support strut
5. CE-plate and warning labels
6. Stand
7. Splitting table
8. Start actuator
9. Wheel
10. Motor
11. Control lever
12. Guard (4 sections)

2 Safety

2.1 Safety definitions

Warning! If you do not obey these instructions, there is a risk of death or injury.

Caution! If you do not obey these instructions, there is a risk of damage to the product, other materials or the adjacent area.

Note! Information that is necessary in a given situation.

2.2 Safety instructions for operation

Warning! If you do not obey these instructions, there is a risk of death or injury.

- Read the warning instructions that follow before you use the product.
- Do not use the product if you are tired, ill or under the influence of alcohol, drugs or medicine. This has a negative effect on your vision, alertness, coordination and judgement.
- Do not allow any children or anyone who is unfamiliar with the product to use it.
- Do not use the product if it is damaged.
- Do not modify the product.
- The product must only be used for its intended purpose.
- Make sure that you know how to use the controls of the product.
- Make sure that the work area is clean and well lit.
- Keep the product clean. Keep the product free from tools and loose items.
- Do a check of the product before use. Make sure that all screws are correctly tightened before operation. Do not use the product if the safety devices are damaged.
- Do not use the product in wet areas. Do not expose the product to rain.
- Do not use the product in an explosive environment or near flammable liquids, gas or dust.
- Do not wear loose-fitting clothing, jewellery or watches that can get caught in the moving parts.
- Always wear personal protective equipment when you operate the product. Refer to "[2.3 Personal protective equipment](#)" on page 15.
- The operator must work alone. Do not let a person help the operator if a log is stuck.
- Do not let children or unauthorized persons operate the product.
- Make sure that no unauthorized persons are in the work area during operation.
- Do a check that there are no nails in the wooden logs. Make sure that the ends of the wooden logs are cut perpendicular. Make sure to cut off branches as near as possible to the wooden log.
- Make sure to always have a good foothold when you use the product.

- Do not stand on the product. The product can tip over and cause serious personal injury.
- Remove or put the log on the splitting table only when the push plate is in its start position.
- Keep your hands away from the moving parts.
- Keep your hands away from open cracks in the wooden log. Open cracks may close and cause personal injury.
- Do not use your hands to release a stucked wooden log.
- Do not split wooden logs larger than as specified in the technical data. Refer to "[9 Technical data](#)" on page 19.
- Make sure that the product has completely stopped before you go away.
- Pull out the power plug when the product is not in use.
- Always pull out the plug before you do adjustments, replace parts, clean the product or do maintenance on the product.
- Make sure that you can clearly read the signs and decals. Replace signs and decals that have become unreadable or lost.

2.3 Personal protective equipment

⚠ Warning! If you do not obey these instructions, there is a risk of death or injury.

- Always wear non-slip shoes.
- Wear approved safety glasses or a visor. The product can eject objects that can cause permanent eye injuries.
- Wear gloves that are not electrically conductive.

2.4 Electrical safety

⚠ Warning! If you do not obey these instructions, there is a risk of death or injury.

- Only connect the product to a power supply with a residual current device with a maximum tripping current of 30 mA.
- Before use, make sure that the power outlet, the power cord and the power plug are not damaged and that there are no signs of fatigue. Do not use the product if the power cord and/or power plug are damaged.
- Make sure that the power cord and power plug are grounded.
- Make sure that the extension cord is for outdoor use, not longer than 10 m, with a cross-sectional area of the wires of at least 2.5 mm².

- Make sure that the power voltage corresponds to the rated voltage on the type plate and that the circuit is fuse-protected.
- Do not touch grounded surfaces such as pipes, radiators, cookers and refrigerators.
- Do not open the start actuator box on the motor. The electric box must only be opened by authorized electricians.

3 Assembly

3.1 To assemble the product

⚠ Warning! Do not connect the product to the power source until the product is completely assembled.

Note! Make sure all bolts and screws are correctly tighten.

Assemble the product as shown in the illustrations figure 2 to figure 8.

3.2 Operation

⚠ Warning! Do not leave the product unattended when it is connected to the power outlet.

3.3 To do before the operation

⚠ Warning! Do not adjust the adjustment screw for maximum pressure. The maximum pressure is set at the factory. The adjustment screw is sealed to make sure that the splitting force does not exceed 7 tonnes. If this adjustment is changed there is a risk of serious personal injury and/or material damage. There is risk that the hydraulic pump does not give the correct pressure.

- Before each use, do a functional test of the two-handed safety control to make sure it operates correctly. Refer to "[4.1 To do a functional test of the two-handed safety control device](#)" on page 16.
- Examine the product for any damage and the hydraulic system of the product for leaks before each use.
- Make sure that the work area is free from obstructions.
- Turn the vent screw open before each use. Refer to "[4.2 To vent the hydraulic system](#)" on page 16.
- Wear personal protective equipment. "[2.3 Personal protective equipment](#)" on page 15.
- Put the product on a level surface.

3.4 To operate the product

⚠ Caution! Do not push the hydraulic control lever down for more than 5 seconds. Otherwise the hydraulic oil can overheat.

⚠ Warning! Make sure to split the wooden log in a correct way. (Figure 9)

1 Connect the product to a power source. Refer to "2.4 Electrical safety" on page 15.

2 Put a log on the splitting table. Make sure that the log cannot twist or slide during the splitting process.

⚠ Caution! Do not put the wooden log on the top part of the blade.

3 Push the start actuator and pull the hydraulic control lever towards you.

Note! The product has a two-handed safety control. The product operates only when both controls are activated.

- A. Keep 1 hand on the hydraulic control lever and 1 hand on the start actuator.
- B. The push plate stops if 1 hand is released.
- C. If 2 hands are released the push plate will move back to the start position before it stops.

4 If the wooden log does not split, turn it 90° and push the hydraulic control lever.

5 If the wooden log still does not split, discard it.

3.5 To release a stucked wooden log

⚠ Warning! Do not hit on a stuck wooden log.(Figure 10)

1 Release the hydraulic control lever and the start actuator.

2 Make sure that the push plate moves back to the start position and stops.

3 Put a wooden wedge below the wooden log that is stuck. (Figure 11)

4 Push the hydraulic control lever down to push the wooden log on the wooden wedge.

5 If the wooden log is not released, put a thicker wooden wedge below the wooden log that is stuck.

6 Push the hydraulic control lever down to push the wooden log on the wooden wedge.

7 Repeat until the wooden log has become free.

4 Maintenance

⚠ Warning! Stop and disconnect the product from the power outlet before you do any maintenance, service or repair.

Note! The frequency of maintenance should increase when the product is used more often.

- Use only original spare parts when you replace parts that are applicable for safety.
- Let an approved service center do service to the product.
- Make sure that all screws are correctly tightened.

4.1 To do a functional test of the two-handed safety control device

The product has a two-handed safety control. The product only operates when both controls are activated.

- Pull down the control lever - the push plate do not move.
- Push the start actuator - the push plate do not move.
- Pull the lever and push the start actuator at the same time - the push plate moves forward.
- Release one control - the push plate stops.
- Release both controls - the push palte returns to its start postion.

4.2 To vent the hydraulic system

The product is equipped with a single-acting cylinder which during use create compressed air in the hydraulic system. The compressed air must be vented to prevent the seals to break and cause damage to the product.

1 Loosen the vent screw (A) before each use to release compressed air that remains in the hydraulic system. (Figure 11)

2 Tighten the vent screw after use.

Note! Make sure to tighten the vent screw before you move the product.

4.3 To do a check of the hydraulic oil

Note! Regularly do a check of the hydraulic oil. Make sure the oil level is between the "MIN" and "MAX" marking on the dipstick.

- 1 Stop the product. Make sure that all moving parts have completely stopped.
- 2 Pull out the power plug.
- 3 Turn the product with its short side to the ground with the motor down.
- 4 Loosen the oil plug.
- 5 Do a check of the oil level. There should be oil between the marks "MIN" and "MAX" on the dipstick (B). (Figure 11)
- 6 If it is necessary, fill with hydraulic oil. Refer to ["4.3.2. To fill the product with hydraulic oil" on page 17](#).
- 7 Tighten the oil plug.
- 8 Turn the product to its operation position.

4.3.1 To change the hydraulic oil

Note! Change the hydraulic oil after every 150 h of operation.

- 1 Stop the product. Make sure that all moving parts have completely stopped.
- 2 Pull out the power plug.
- 3 Turn the product with its short side to the ground with the motor down.
- 4 Loosen the oil plug.
- 5 Tip the product to its support legs and let the oil go out into a container that holds a minimum of 2.4 L. (Figure 12)

4.3.2 To fill the product with hydraulic oil

- 1 Turn the product to its short side to the ground with the motor down. (Figure 13)
- 2 Loosen the oil plug.

- 3 Fill with the oil tank with hydraulic oil. ["9 Technical data" on page 19](#).
- 4 Replace the seal, if it is damaged. Make sure that the seal is in correct position.
- 5 Tighten the oil plug.
- 6 Turn the product to its operation position.
- 7 Make sure that no oil leaks out.

4.4 To sharpen the wedge

- Remove burrs and damage on the edge on the wedge with a fine file.

4.5 To clean the product

- Clean the product regularly.
- Clean with a mild detergent. Do not use degreasing products that can penetrate the bearings and chain and interfere with the lubrication.

5 Troubleshooting

Problem	Possible cause	Action
The motor does not start.	The overload protection is applied.	Let the motor become cool.
The wooden log does not split.	The wooden log is not in correct position.	Put the wooden log in correct position.
	The wooden log is too wide or too hard to split.	Discard the wooden log.
	The edge on the splitting wedge is blunt.	Refer to "3.5 To release a stucked wooden log" on page 16.
	There is a oil leak.	Speak to an authorized service center.
	Unauthorised adjustment of the adjusting screw for maximum pressure.	Speak to an authorized service center.
The push plate does not move smoothly, the product makes abnormal noise or vibrates.	Too little hydraulic oil and too much air in the hydraulic system.	Do a check of the hydraulic oil level. Refer to "4.3 To do a check of the hydraulic oil" on page 17.
Oil leaks out around the push plate.	There is air in the hydraulic system.	Refer to "4.2 To vent the hydraulic system" on page 16.
	The vent screw is not tight when the product is moved.	Tighten the vent screw before the product is moved.
	The drain plug and dipstick is not tightened correctly.	Tighten the drain plug and the dipstick.
	The seals are worn.	Replace the seals.
	The valves are worn.	Speak to an authorized service center.

6 Storage

6.1 To put the product in storage

- Stop the product and disconnect the power plug.
- Store the product in a dry area with good airflow and a temperature between -25°C and 55°C, protected from direct sunlight and wet conditions.
- Store the product in a locked area to prevent access for children and unauthorized persons.

7 Service

Warning! Do not adjust the adjustment screw for maximum pressure.

Service to the product must be done by an authorized service center.

- Electric diagram of the product
- Hydraulic diagram of the product.

8 Disposal

Make sure that you follow local regulations when you discard the product. Do not burn the product.

9 Technical data

Parameters	Specification
Rated voltage	230 V
Output	2.3 kW
Protection rating	IP54
Splitting force	7 t
Hydraulic pressure	28 MPa
Hydraulic oil volume	3.3 l
Hydraulic oil type	ISO 32
Log size	Max. Ø250 mm
	Max. length 520 mm
Product dimensions (LxWxH)	160 x 73 x 128 cm
Weight	64 kg

Noise levels

Sound pressure level, LpA	83 dB(A), K=3 dB
Measured sound power level, LwA	91 dB(A), K=3 dB
Maximum vibrations level ¹	≥22.5 m/s ² ,

⚠ Warning! Always wear hearing protection!

⚠ Warning! The actual vibration and noise level when using tools may differ from the specified maximum value, depending on how the tool is used and the material. It is therefore necessary to determine which safety precautions are required to protect the user, based on an estimate of exposure in actual operating conditions (taking into account all stages of the work cycle, e.g. the time when the tool is switched off and when it is idling, in addition to the start-up time).

¹ The declared values for vibration and noise, which have been measured according to a standardized test method, can be used to compare different tools with each other and for a preliminary assessment of exposure. The measurement values have been determined in accordance with EN 609-1

Innehållsförteckning

1 Inledning	20
1.1 Produktbeskrivning	20
1.2 Avsedd användning	20
1.3 Symboler	20
1.4 Produktöversikt	21
2 Säkerhet	21
2.1 Säkerhetsdefinitioner	21
2.2 Säkerhetsinstruktioner för användning	21
3 Montering	22
3.1 Att montera produkten	22
3.2 Användning	22
3.3 Att göra före användning	22
4 Underhåll	23
4.1 Att göra ett funktionstest av tvåhandssäkerhetsskyddet	23
4.2 Att avlufta hydraulsystemet	23
4.3 Att kontrollera hydrauloljan	23
4.5 Att rengöra produkten	24
5 Felsökning	25
7 Service	25
8 Kassering	25
9 Tekniska data	26

1 Inledning

1.1 Produktbeskrivning

Produkten är en elektrisk vedklyv.

1.2 Avsedd användning

Produkten är avsedd att klyva vedstycken. Produkten är endast avsedd för hushållsbruk.

1.3 Symboler

	Läs bruksanvisningen noggrant och se till att du förstår instruktionerna innan du börjar använda produkten. Spara bruksanvisningen för framtida bruk.
	Denna produkt uppfyller tillämpliga EU-direktiv och -bestämmelser.
	Använd godkänd säkerhetsutrustning.
	Använd skyddshandskar.
	Använd skyddsstövlar.
	Varning! Risk för elektrisk chock.
	Dra ur kontakten innan du utför justeringar, service eller underhåll på produkten.
	Håll personer och djur på ett säkert avstånd från arbetsområdet.
	Varning! Rörliga delar. Håll kroppsdelar borta.
	Varning! Klämrisk! Håll händerna på ett säkert avstånd från sprickor i träet.
	Varning! Rörliga delar. Håll kroppsdelar borta.

	Återvinn alltid gammal använd olja. Håll inte olja i avlopp, på marken eller i vatten.
	Använd inte maskinen om skyddet är borttaget.
	Inspektera produkten före användning.
	Återvinn som elektroniskt avfall.

1.4 Produktöversikt

(Bild 1)

1. Tryckplatta
2. Klyvkil
3. Utmatningsbord
4. Stödstag
5. CE-skylt och varningsetiketter
6. Ställ
7. Klyvbord
8. Startenhet
9. Hjul
10. Motor
11. Kontrollspak
12. Skydd (4 delar)

2 Säkerhet

2.1 Säkerhetsdefinitioner

⚠ Varning! Om du inte följer dessa instruktioner finns det risk för personskador och dödsfall.

⚠ Försiktighet! Om du inte följer dessa instruktioner finns det risk att du skadar produkten, andra material eller det närliggande området.

Obs! Information som är nödvändig i en specifik situation.

2.2 Säkerhetsinstruktioner för användning

⚠ Varning! Om du inte följer dessa instruktioner finns det risk för personskador eller dödsfall.

- Läs varningsinstruktionerna nedan innan du använder produkten.
- Använd inte produkten om du är trött, sjuk, eller är påverkad av alkohol, droger eller läkemedel. Dessa har en negativ påverkan på din syn, uppmärksamhet, koordination och omdöme.
- Låt aldrig barn eller någon som inte känner till produkten använda den.
- Använd inte produkten om den är skadad.
- Gör inga ändringar på produkten.
- Produkten får endast användas för sitt avsedda ändamål.
- Se till att du vet hur du använder produktens kontrollspakar.
- Se till att arbetsområdet är rent och väl upplyst.
- Håll produkten ren. Håll produkten fri från verktyg och lösa föremål.
- Kontrollera produkten före användning. Se till att alla skruvar är ordentligt åtdragna före användning. Använd inte produkten om säkerhetsanordningarna är skadade.
- Använd inte produkten i våta utrymmen. Utsätt inte produkten för regn.
- Använd inte produkten i en explosiv miljö eller nära brandfarliga vätskor, gas eller damm.
- Använd inte löst sittande kläder, smycken eller klockor som kan fastna i de rörliga delarna.
- Använd alltid godkänd personlig skyddsutrustning när du använder produkten. Se ["2.3 Personlig skyddsutrustning" på sida 22](#).
- Operatören måste arbeta ensam. Låt inte någon annan hjälpa operatören om ett vedstycke har fastnat.
- Låt inte barn eller obehöriga använda produkten.
- Se till att inga obehöriga personer befinner sig i arbetsområdet under drift.
- Kontrollera att det inte finns några spikar i vedstyckena. Se till att ändarna på vedstyckena är avskurna vinkelrätt. Se till att kapa av grenar så nära vedstycket som möjligt.
- Se till att alltid ha ett bra fotfäste när du använder produkten.
- Stå inte på produkten. Produkten kan välta och orsaka allvarliga personskador.

- Ta bort eller lägg vedstycket på klyvbordet först när tryckplattan är i sitt startläge.
- Håll händer och fötter borta från de rörliga delarna.
- Håll händerna borta från öppna sprickor i vedstycket. Öppna sprickor kan stängas till och orsaka personskador.
- Använd inte händerna för att lossa ett vedstycke som har fastnat.
- Klyv inte vedstycken som är större än vad som anges i tekniska data. Se "[9 Tekniska data](#)" på [sida 26](#).
- Se till att produkten har stannat helt innan du går iväg från den.
- Dra ur kontakten när produkten inte används.
- Dra alltid ur kontakten innan du gör justeringar, byter ut delar, rengör produkten eller utför underhåll på produkten.
- Se till att du tydligt kan läsa skyltar och dekalerna. Byt ut skyltar och dekalerna som har blivit oläsliga eller tappats bort.

2.3 Personlig skyddsutrustning

⚠ Varning! Om du inte följer dessa instruktioner finns det risk för personskador eller dödsfall.

- Använd alltid halkfria skor.
- Använd godkända skyddsglasögon eller ett visir. Produkten kan kasta ut föremål som kan orsaka permanenta ögonskador.
- Använd handskar som inte är elektriskt ledande.

2.4 Elsäkerhet

⚠ Varning! Om du inte följer dessa instruktioner finns det risk för personskador eller dödsfall.

- Anslut endast produkten till en strömkälla med en jordfelsbrytare med en maximal utlösning på 30 mA.
- Innan användning, se till att eluttaget, strömkabeln och kontakten inte är skadade och att det inte finns några tecken på materialutmattning. Använd inte produkten om produkten, strömkabeln eller kontakten är skadad.
- Se till att strömkabeln och kontakten är jordade.
- Se till att förlängningskabel för utomhusbruk inte är längre än 10 m och har ett genomsnitt på minst 2,5 mm².
- Se till att strömspänningen motsvarar märkspänningen på typskylten och att kretsen är skyddad av säkring.
- Rör inte vid jordade ytor som rör, radiatorer, spisar och kylskåp.
- Öppna inte lådan till motorens startenhet. Elboxen får endast öppnas av en auktoriserad elektriker.

3 Montering

3.1 Att montera produkten

⚠ Varning! Anslut inte produkten till strömkällan förrän produkten är färdigmonterad.

Obs! Se till att alla bultar och skruvar är korrekt åtdragna.

Montera produkten enligt bilderna 2-8.

3.2 Användning

⚠ Varning! Lämna inte produkten utan uppsikt när den är ansluten till strömkällan/eluttaget.

3.3 Att göra före användning

⚠ Varning! Justera inte justerskraven för maximalt tryck. Det maximala trycket är inställt på fabriken. Justerskraven är förseglad för att säkerställa att klyvkraften inte överstiger 7 ton. Om denna justering ändras finns det risk för allvarliga personskador och/eller materiella skador. Det finns risk för att hydraulpumpen inte ger rätt tryck.

- Före varje användning, gör ett funktionstest av tvåhandssäkerhetsskyddet för att säkerställa att det fungerar korrekt. Se "[4.1 Att göra ett funktionstest av tvåhandssäkerhetsskyddet](#)" på [sida 23](#).
- Kontrollera före varje användning att produkten inte har några skador och att produktens hydraulsystem inte läcker.
- Se till att arbetsområdet är fritt från hinder.
- Lossa på avluftningsskraven före varje användning. Se "[4.2 Att avlufta hydraulsystemet](#)" på [sida 23](#).
- Använd personlig skyddsutrustning. "[2.3 Personlig skyddsutrustning](#)" på [sida 22](#).
- Placera produkten på ett jämnt underlag.

3.4 Att använda produkten

⚠ Försiktighet! Tryck inte ned den hydrauliska kontrollspaken i mer än 5 sekunder. Annars kan hydraullojan överhettas.

⚠ Varning! Se till att klyva vedstycket på rätt sätt. (Bild 9)

- 1 Anslut produkten till en strömkälla. Se "[2.4 Elsäkerhet](#)" på [sida 22](#).
- 2 Lägg ett vedstycke på klyvbordet. Se till att vedstycket inte kan vrida sig eller glida under klyvningsprocessen.

⚠ Försiktighet! Placera inte vedstycket på den övre delen av bladet.

- Tryck på startenheten och dra den hydrauliska kontrollspaken mot dig.

Obs! Produkten har ett tvåhandssäkerhetsskydd. Produkten fungerar endast när båda kontrollspakarna är aktiverade.

- Håll EN hand på den hydrauliska kontrollspaken och EN hand på startenheten.
- Tryckplattan stannar om EN hand släpps.
- Om TVÅ händer släpps kommer tryckplattan att flyttas tillbaka till startpositionen innan den stannar.

- Om vedstycket inte klyvs, vrid det 90° och tryck på den hydrauliska kontrollspaken.

- Om vedstycket fortfarande inte klyvs, kassera det.

3.5 Att lossa ett vedstycke som sitter fast

⚠ Varning! Slå inte på ett vedstycke som har fastnat. (Bild 10)

- Släpp den hydrauliska kontrollspaken och startenheten.
- Se till att tryckplattan går tillbaka till startläget och stannar.
- Placera en träkil under vedstycket som sitter fast. (Bild 10)
- Tryck ner den hydrauliska kontrollspaken för att trycka vedstycket på träkilen.
- Om vedstycket inte lossnar, placera en tjockare träkil under vedstycket som sitter fast.
- Tryck ner den hydrauliska kontrollspaken för att trycka vedstycket på träkilen.
- Upprepa tills vedstycket har lossnat.

4 Underhåll

⚠ Varning! Stäng av och koppla bort produkten från strömkällan innan du utför underhåll, service eller reparation.

Obs! Underhållsintervallet bör vara tätare när produkten används oftare.

- Av säkerhetsskäl, använd endast originalreservdelar när du byter ut tillämpliga delar.
- Låt ett godkänt servicecenter utföra service på produkten.
- Se till att alla skruvar är ordentligt åtdragna.

4.1 Att göra ett funktionstest av tvåhandssäkerhetsskyddet

Produkten har ett tvåhandssäkerhetsskydd. Produkten fungerar endast när båda kontrollspakarna är aktiverade.

- Dra ner kontrollspaken: Tryckplattan rör sig inte.
- Tryck på startenheten: Tryckplattan rör sig inte.
- Dra i spaken och tryck på startenheten samtidigt: Tryckplattan rör sig framåt.
- Släpp en kontrollspak: Tryckplattan stannar.
- Släpp båda kontrollspakarna: Tryckplattan återgår till sitt startläge.

4.2 Att avlufta hydraulsystemet

Produkten är utrustad med en enkelverkande cylinder som under användning skapar tryckluft i hydraulsystemet. Tryckluften måste avluftas för att förhindra att tätningarna går sönder och orsakar skador på produkten.

- Före varje användning, lossa på avluftningsskruven (A) för att släppa ut tryckluft som finns kvar i hydraulsystemet. (Bild 11)
- Dra åt avluftningsskruven efter användning.

Obs! Se till att dra åt avluftningsskruven innan du flyttar produkten.

4.3 Att kontrollera hydrauloljan

Obs! Kontrollera hydrauloljan regelbundet. Se till att oljenivån ligger mellan "MIN" och "MAX"-markeringen på oljestickan.

- Stäng av produkten. Se till att alla rörliga delar har stannat helt.
- Dra ur kontakten.
- Vänd produkten med kortsidan ned mot marken, med motorn nedåt.
- Lossa oljepluggen.

- 5 Kontrollera oljenivån. Oljenivån ska vara mellan markeringarna "MIN" och "MAX" på oljestickan (B). (Bild 11)
- 6 Fyll på hydraulolja, vid behov. Se ["4.3.2 Att fylla på produkten med hydraulolja"](#) på sida 24.
- 7 Dra åt oljepluggen.
- 8 Vänd upp produkten till sitt arbetsläge.

4.3.1 Att byta hydraulolja

Obs! Byt hydraulolja var 150:e timmes användning.

- 1 Stäng av produkten. Se till att alla rörliga delar har stannat helt.
- 2 Dra ur kontakten.
- 3 Vänd produkten med kortsidan ned mot marken, med motorn nedåt.
- 4 Lossa oljepluggen.
- 5 Tippa produkten på stödbenen och låt oljan rinna ut i en behållare som rymmer minst 2,4 liter. (Bild 12)

4.3.2 Att fylla på produkten med hydraulolja

- 1 Vänd produkten med kortsidan ned mot marken, med motorn nedåt. (Bild 13)
- 2 Lossa oljepluggen.
- 3 Fyll på med hydraulolja i oljetanken. ["9 Tekniska data"](#) på sida 26.
- 4 Byt ut tätningen om den är skadad. Se till att tätningen är i rätt läge.
- 5 Dra åt oljepluggen.
- 6 Vänd upp produkten till sitt arbetsläge.
- 7 Se till att ingen olja läcker ut.

4.4 Att vässa klyvkilen

- Ta bort grader och skador på kilens kanter med en fin fil.

4.5 Att rengöra produkten

- Rengör produkten regelbundet.
- Rengör med ett mildt rengöringsmedel. Använd inte avfettningsprodukter som kan tränga in i lagren eller kedjan och störa smörjningen.

5 Felsökning

Problem	Möjlig orsak	Åtgärd
Motorn startar inte.	Överbelastningsskyddet har aktiverats.	Låt motorn svalna.
Vedstycket klyvs inte.	Vedstycket är inte i rätt läge.	Placera vedstycket i rätt läge.
	Vedstycket är för brett eller för svårt att klyva.	Kassera vedstycket.
	EGGEN PÅ KLYVKILEN ÄR SLÖ.	Se " 3.5 Att lossa ett vedstycke som sitter fast " på sida 23.
	Det läcker olja.	Kontakta ett auktoriserat servicecenter.
	Otillåten justering av justerskraven för maximalt tryck.	Kontakta ett auktoriserat servicecenter.
Tryckplattan rör sig inte smidigt, produkten avger onormalt ljud eller vibrerar.	För lite hydraulolja och för mycket luft i hydraulsystemet.	Kontrollera hydrauloljenivån. Se " 4.3 Att kontrollera hydrauloljan " på sida 23.
Olja läcker ut runt tryckplattan.	Det finns luft i hydraulsystemet.	Se " 4.2 Att avlufta hydraulsystemet " på sida 23.
	Avluftningsskraven är inte åtdragen när produkten flyttas.	Dra åt avluftningsskraven innan produkten flyttas.
	Avtappningspluggen och mätstickan är inte korrekt åtdragna.	Dra åt avtappningspluggen och oljestickan.
	Tätningarna är slitna.	Byt ut tätningarna.
	Ventilerna är slitna.	Kontakta ett auktoriserat servicecenter.

6 Förvaring

6.1 Att förvara produkten

- Stäng av produkten och dra ur kontakten.
- Förvara produkten i ett torrt utrymme med god ventilation och en temperatur mellan -25°C och 55°C, skyddad från direkt solljus och våta förhållanden.
- Förvara produkten i ett låst utrymme för att förhindra åtkomst för barn och obehöriga personer.

7 Service

Varning! Justera inte justerskraven för maximalt tryck.

Service på produkten måste utföras av ett auktoriserat servicecenter.

- Elektriskt diagram över produkten
- Hydrauliskt diagram över produkten.

8 Kassering

Se till att du följer lokala bestämmelser när du kasserar produkten. Bränn inte produkten.

9 Tekniska data

Parametrar	Specifikation
Märkspänning	230 V
Uteffekt	2,3 kW
Skyddsklass	IP54
Klyvkraft	7 ton
Hydrauliskt tryck	28 MPa
Hydraulolja, volym	3,3 l
Hydrauloljetank, typ	ISO 32
Vedstyckets storlek	Max. Ø250 mm
	Max. längd 520 mm
Produktens mått (LxBxH)	160 x 73 x 128 cm
Vikt	64 kg

Bullernivåer	
Ljudtrycksnivå, LpA	83 dB(A), K=3 dB
Uppmätt ljudeffektnivå, LwA	91 dB(A), K=3 dB
Maximal vibrationsnivå ¹	≥22,5 m/s ²

⚠ Varning! Använd alltid hörselskydd!

⚠ Varning! Den faktiska vibrations- och bullernivån när du använder verktyg kan skilja sig från det angivna maxvärdet beroende på hur verktyget används och materialet. Därför måste du avgöra vilka säkerhetsåtgärder som krävs för att skydda användaren, baserat på en beräkning av exponering under faktiska driftförhållanden (med beaktande av alla faser i arbetscykeln, t.ex. tiden när verktyget är avstängt och när det går på tomgång, utöver uppstartstiden).

¹ De angivna värdena för vibrationer och buller, som har uppmätts enligt en standardiserad testmetod, kan användas för att jämföra olika verktyg med varandra och för att få en preliminär bedömning av ljudexponeringen. Mätvärdena har fastställts i enlighet med SS-EN 609-1.

Innholdsfortegnelse

1 Innledning	27
1.1 Produktbeskrivelse	27
1.2 Tiltentk bruk.....	27
1.3 Symboler	27
1.4 Produktoversikt.....	28
2 Sikkerhet	28
2.1 Sikkerhetsdefinisjoner	28
2.2 Sikkerhetsinstruksjoner for bruk.....	28
3 Montering	29
3.1 Montering av produktet	29
3.2 Drift.....	29
3.3 Dette må gjøres før bruk	29
4 Vedlikehold	30
4.1 Slik utfører du en funksjonstest av den tohåndsbetjente sikkerhetsanordningen	30
4.2 For å luften ut hydraulikksystemet.....	30
4.3 Slik kontrollerer du hydraulikkoljen	30
4.5 Slik rengjøres produktet	31
5 Feilsøking	32
7 Service	32
8 Avhending	32
9 Tekniske data	33

1 Innledning

1.1 Produktbeskrivelse

Produktet er en elektrisk vedkløyver.

1.2 Tiltentk bruk

Produktet er beregnet for kløyving av vedkubber. Produktet er kun beregnet for bruk hos private husholdninger.

1.3 Symboler

	Les bruksanvisningen nøye og sørg for at du forstår instruksjonene før du bruker produktet. Ta vare på bruksanvisningen til senere bruk.
	Dette produktet er i samsvar med gjeldende EU-direktiver og -forskrifter.
	Bruk godkjent beskyttelsesutstyr.
	Bruk beskytteshansker.
	Bruk vernestøvler.
	Advarsel! Fare for elektrisk støt.
	Trekk ut støpselet før du utfører justeringer, service eller vedlikehold på produktet.
	Hold personer og dyr på sikker avstand fra arbeidsområdet.
	Advarsel! Bevegelige deler. Hold kroppsdeler på avstand.
	Advarsel! Klemfare! Hold hendene på trygg avstand fra sprekker i treverket.
	Advarsel! Bevegelige deler. Hold kroppsdeler på avstand.

	Resirkuler alltid brukt olje. Hell ikke olje i avløp, på bakken eller i vann.
	Ikke bruk maskinen uten beskyttelsen.
	Inspisjer produktet før bruk.
	Gjenvinnes som elektronisk avfall.

1.4 Produktoversikt

(Figur 1)

1. Trykkplate
2. Kløyvekile
3. Utmatingsbord
4. Støttestag
5. CE-plakett og advarselsmerking
6. Stativ
7. Kløyvebord
8. Startbryter
9. Hjul
10. Motor
11. Betjeningsspak
12. Beskyttelse (4 seksjoner)

2 Sikkerhet

2.1 Sikkerhetsdefinisjoner

⚠ Advarsel! Hvis du ikke følger disse instruksjonene er det fare for død eller personskade.

⚠ OBS! Om du ikke følger disse instruksjonene er det en fare for skade på produktet, på andre materialer eller på området rundt.

Merk! Informasjon som er nødvendig i en gitt situasjon.

2.2 Sikkerhetsinstruksjoner for bruk

⚠ Advarsel! Hvis du ikke følger disse instruksjonene er det fare for død eller skade.

- Les advarselsinstruksjonene som følger før du bruker produktet.
- Ikke bruk produktet hvis du er trøtt, syk eller påvirket av alkohol, narkotika eller medisiner. Dette har en negativ effekt på syn, årvåkenhet, koordinasjon og dømmekraft.
- Ikke la barn eller noen som ikke er kjent med produktet bruke det.
- Ikke bruk produktet hvis det er skadet.
- Ikke utfør endringer på produktet.
- Produktet må kun brukes til det tiltenkte formålet.
- Sørg for at du vet hvordan du bruker kontrollene på produktet.
- Sørg for at arbeidsområdet er rent og godt opplyst.
- Hold produktet rent. Hold produktet fritt for verktøy og løse gjenstander.
- Kontroller produktet før bruk. Forsikre deg om at alle skruene er korrekt tilstrammet før bruk. Ikke bruk produktet hvis noen av sikkerhetsanordningene er skadet.
- Ikke bruk produktet i våte områder. Ikke utsett produktet for regn.
- Ikke bruk produktet i eksplosjonsfarlige omgivelser eller i nærheten av brennbare væsker, gass eller støv.
- Bruk ikke løstsittende klær, smykker eller klokker som kan sette seg fast i de bevegelige delene.
- Bruk alltid godkjent personlig verneutstyr når du bruker produktet: Se "2.3 Personlig verneutstyr" på side 29.
- Operatøren må arbeide alene. Ikke la noen hjelpe føreren hvis en kubbe sitter fast.
- Ikke la barn eller uvedkommende bruke produktet.
- Sørg for at ingen uvedkommende oppholder seg i arbeidsområdet under drift.
- Kontroller at det ikke er spiker i vedkubbene. Sørg for at endene på vedkubbene kappes vinkelrett. Sørg for å kappe av greiner så nær vedkubben som mulig.
- Sørg for å alltid ha godt fotfeste når du bruker produktet.
- Ikke stå på produktet. Produktet kan velte og forårsake alvorlige personskader.
- Fjern eller legg kubben på kløyvebordet bare når skyveplaten er i startposisjon.

- Hold hendene unna bevegelige deler.
- Hold hendene unna åpne sprekker i vedkubben. Åpne sprekker kan lukke seg og forårsake personskader.
- Ikke bruk hendene til å løse en fastklemt vedkubbe.
- Ikke kløyv større vedkubber enn det som er angitt i de tekniske dataene. Se ["9 Tekniske data" på side 33](#).
- Forsikre deg om at produktet har stoppet helt opp før du drar.
- Trekk ut støpselet når produktet ikke er i bruk.
- Trekk alltid ut støpselet før du foretar justeringer, skifter ut deler, rengjør produktet eller utfører vedlikehold på produktet.
- Forsikre deg om at du kan lese skiltene og dekalene tydelig. Skift ut skilt og dekal som er blitt uleselige eller forsvunnet.

2.3 Personlig verneutstyr

⚠ Advarsel! Hvis du ikke følger disse instruksjonene er det fare for død eller skade.

- Bruk alltid sklisikre sko.
- Bruk godkjente vernebriller eller visir. Produktet kan slynge ut gjenstander som kan forårsake varige øyeskader.
- Bruk hansker som ikke er elektrisk ledende.

2.4 Elektrisk sikkerhet

⚠ Advarsel! Hvis du ikke følger disse instruksjonene er det fare for død eller skade.

- Produktet må bare kobles til en strømforsyning med en jordfeilbryter med en maksimal utløsningsstrøm på 30 mA.
- Før bruk må du kontrollere at strømuttaket, strømkabelen og støpselet ikke er skadet og at det ikke er tegn på slitasje. Ikke bruk produktet hvis strømkabelen eller støpselet er skadet.
- Kontroller at strømkabelen og støpselet er jordet.
- Forsikre deg om at skjøteledningen er beregnet for utendørs bruk, ikke lenger enn 10 m, og at ledningenes tverrsnittsareal er minst 2,5 mm².
- Forsikre deg om at strømspenningen tilsvarer den nominelle spenningen på typeskiltet og at kretsen er sikret.
- Berør ikke jordede overflater som rør, radiatorer, komfyrer og kjøleskap.
- Ikke åpne startbryterboksen på motoren. Den elektriske boksen må bare åpnes av autoriserte elektrikere.

3 Montering

3.1 Montering av produktet

⚠ Advarsel! Ikke koble produktet til strømkilden før produktet er ferdig montert.

Merk! Forsikre deg om at alle bolter og skruer er korrekt tilstrammet.

Monter produktet som vist på illustrasjonene figur 2 – figur 8

3.2 Drift

⚠ Advarsel! Ikke la produktet være uten tilsyn når det er koblet til stikkkontakten.

3.3 Dette må gjøres før bruk

⚠ Advarsel! Juster ikke justeringsskruen for maksimalt trykk. Maksimalt trykk er innstilt på fabrikk. Justeringsskruen er forseglest for å sikre at kløyvekraft ikke overstiger 7 tonn. Hvis denne justeringen endres, er det fare for alvorlige personskader og/eller materielle skader. Det er fare for at hydraulikkpumpen ikke gir riktig trykk.

- Utfør en funksjonstest av den tohånds sikkerhetskontrollen før hver bruk for å sikre at den fungerer som den skal. Se ["4.1 Slik utfører du en funksjonstest av den tohåndsbetjente sikkerhetsanordningen" på side 30](#).
- Undersøk produktet for eventuelle skader og produktets hydraulikksystem for lekkasjer før hver bruk.
- Sørg for at arbeidsområdet er fritt for hindringer.
- Skru opp utluftingsskruen før hver bruk. Se ["4.2 For å luften ut hydraulikksystemet" på side 30](#).
- Bruk personlig verneutstyr. ["2.3 Personlig verneutstyr" på side 29](#).
- Sett produktet på et plant underlag.

3.4 Bruk av produktet

⚠ Forsiktig! Ikke trykk hydraulikkspaken ned i mer enn 5 sekunder. Ellers kan hydraulikkoljen bli overopphøtet.

⚠ Advarsel! Sørg for å kløyve vedkubben på riktig måte. (Figur 9)

- 1 Koble til produktet til et nettaggregat. Se ["2.4 Elektrisk sikkerhet" på side 29](#).
- 2 Legg en vedkubbe på kløyvebordet. Sørg for at kubben ikke kan vri seg eller skli under kløyvingsprosessen.

! **Obs!** Ikke legg vedkubben på den øverste delen av kniven.

3 Trykk på startbryteren og trekk den hydrauliske betjeningsspaken mot deg.

Merk! Produktet har en tohånds sikkerhetskontroll. Produktet fungerer bare når begge kontrollene er aktivert.

- A. Hold 1 hånd på hydraulikkspaken og 1 hånd på startbryteren.
- B. Trykkplaten stopper hvis 1 hånd slippes.
- C. Hvis 2 hender slippes, vil trykkplaten bevege seg tilbake til startposisjonen før den stopper.

4 Hvis vedkubben ikke kløyves, vri den 90° og trykk på den hydrauliske betjeningsspaken.

5 Hvis vedkubben fortsatt ikke deler seg, kastes den.

3.5 For å frigjøre en fastklemt vedkubbe

! **Advarsel!** Ikke slå på en vedkubbe som sitter fast. (Figur 10)

- 1** Slipp den hydrauliske betjeningsspaken og startbryteren.
- 2** Kontroller at skyveplaten beveger seg tilbake til startposisjon og stopper.
- 3** Sett en trekile under vedkubben som sitter fast. (Figur 10)
- 4** Skyv hydraulikkspaken nedover for å skyve vedkubben på trekilen.
- 5** Hvis vedkubben ikke løsner, legger du en tykkere trekile under vedkubben som sitter fast.
- 6** Skyv hydraulikkspaken nedover for å skyve vedkubben på trekilen.
- 7** Gjenta til vedkubben er frigjort.

4 Vedlikehold

! **Advarsel!** Stopp og koble produktet fra stikkkontakten før du utfører vedlikehold, service eller reparasjoner.

Merk! Vedlikeholdsfrekvensen bør øke når produktet brukes oftere.

- Bruk kun originale reservedeler når du bytter ut deler som er relevante for sikkerheten.
- La et godkjent servicesenter utføre service på produktet.
- Forsikre deg om at alle skruene er korrekt tilstrammet.

4.1 Slik utfører du en funksjonstest av den tohåndsbetjente sikkerhetsanordningen

Produktet har en tohånds sikkerhetskontroll. Produktet fungerer bare når begge kontrollene er aktivert.

- Trekk ned betjeningsspaken - trykkplaten beveger seg ikke.
- Trykk på startbryteren - trykkplaten beveger seg ikke.
- Trekk i spaken og trykk samtidig på startbryteren - trykkplaten beveger seg fremover.
- Slipp en av kontrollene - trykkplaten stopper.
- Slipp begge kontrollene - trykkplaten går tilbake til startposisjonen.

4.2 For å luften ut hydraulikksystemet

Produktet er utstyrt med en enkeltvirkende sylinder som under bruk skaper trykkluft i hydraulikksystemet. Trykkluften må ventileres for å hindre at tetningene brytes og forårsaker skade på produktet.

- 1** Løsne utluftingsskruen (A) før hver bruk for å slippe ut trykkluft som er igjen i hydraulikksystemet. (Figur 11)
- 2** Stram til utluftingsskruen etter bruk.

Merk! Sørg for å stramme utluftingsskruen før du flytter produktet.

4.3 Slik kontrollerer du hydraulikkoljen

Merk! Kontroller hydraulikkoljen regelmessig. Kontroller at oljenivået befinner seg mellom "MIN"- og "MAX"-markeringen på peilepinnen.

- 1** Stans produktet. Kontroller at alle bevegelige deler har stoppet helt opp.
- 2** Trekk ut støpselet.
- 3** Snu produktet med kortsiden mot bakken med motoren ned.
- 4** Løsne oljepluggen.

- 5 Kontroller oljenivået. Det skal være olje mellom merkene "MIN" og "MAX" på peilepinnen (B). (Figur 11)
- 6 Fyll på hydraulikkolje hvis det er nødvendig. Se "[4.3.2 Slik fyller du produktet med hydraulikkolje](#)" på side 31.
- 7 Trekk til oljepluggen.
- 8 Vri produktet til driftsposisjon.

4.3.1 Slik skifter du hydraulikkolje

Merk! Skift hydraulikkolje etter hver 150. driftstime.

- 1 Stans produktet. Kontroller at alle bevegelige deler har stoppet helt opp.
- 2 Trekk ut støpselet.
- 3 Snu produktet med kortsiden mot bakken med motoren ned.
- 4 Løsne oljepluggen.
- 5 Vipp produktet på støttebena og la oljen renne ut i en beholder som rommer minst 2,4 liter. (Figur 12)

4.3.2 Slik fyller du produktet med hydraulikkolje

- 1 Snu produktet til kortsiden mot bakken med motoren ned. (Figur 13)
- 2 Løsne oljepluggen.
- 3 Fyll oljetanken med hydraulikkolje. "[9 Tekniske data](#)" på side 33.
- 4 Skift ut tetningen hvis den er skadet. Kontroller at tetningen er i riktig posisjon.
- 5 Trekk til oljepluggen.
- 6 Vri produktet til driftsposisjon.
- 7 Kontroller at det ikke lekker ut olje.

4.4 Slik sliper du kilen

- Fjern grader og skader på kanten av kilen med en fin fil.

4.5 Slik rengjøres produktet

- Rengjør produktet regelmessig.
- Rengjør med et mildt rengjøringsmiddel. Ikke bruk avfettingsprodukter som kan trenge inn i lagrene og kjedet og forstyrre smøringen.

5 Feilsøking

Problem	Mulig årsak	Handling
Motoren starter ikke.	Overbelastningsbeskyttelsen er aktivert.	La motoren avkjøles.
Vedkubben kløyves ikke.	Vedkubben er ikke i riktig posisjon.	Legg vedkubben i riktig posisjon.
	Vedkubben er for bred eller for hard til å kløyve.	Kast vedkubben.
	Kanten på kløyvekilen er sløv.	Se " 3.5 For å frigjøre en fastklemt vedkubbe " på side 30 .
	Det er en oljelekkasje.	Kontakt et autorisert servicesenter.
	Uautorisert justering av justeringsskruen for maksimalt trykk.	Kontakt et autorisert servicesenter.
Trykkplaten beveger seg ikke jevnt, produktet lager unormal støy eller vibrerer.	For lite hydraulikkolje og for mye luft i hydraulikksystemet.	Kontroller hydraulikkoljenivået. Se " 4.3 Slik kontrollerer du hydraulikkoljen " på side 30 .
Olje lekker ut rundt trykkplaten.	Det er luft i hydraulikksystemet.	Se " 4.2 For å luften ut hydraulikksystemet " på side 30 .
	Utluftingsskruen er ikke strammet når produktet flyttes.	Stram til utlufingsskruen før produktet flyttes.
	Tappepluggen og peilepinnen er ikke strammet riktig.	Stram til tappepluggen og peilepinnen.
	Tetningene er slitte.	Skift ut tetningene.
	Ventilene er slitte.	Kontakt et autorisert servicesenter.

6 Oppbevaring

6.1 Slik setter du produktet på lager

- Stopp produktet og trekk ut støpselet.
- Oppbevar produktet på et tørt sted med god luftgjennomstrømning og en temperatur mellom -25 °C og 55 °C, beskyttet mot direkte sollys og fuktighet.
- Oppbevar produktet på et låst sted for å hindre at barn og uvedkommende får tilgang til det.

7 Service

Advarsel! Juster ikke justeringsskruen for maksimalt trykk.

Service på produktet må utføres av et autorisert servicesenter.

- Elektrisk diagram over produktet
- Hydraulisk diagram over produktet.

8 Avhending

Følg lokale forskrifter når du kaster produktet. Produktet må ikke brennes.

9 Tekniske data

Parametre	Spesifikasjoner
Nominell spenning	230 V
Effekt	2,3 kW
Beskyttelsesklassifisering	IP54
Kløyvekraft	7 t
Hydraulisk trykk	28 MPa
Hydraulisk oljevolum	3,3 liter
Type hydraulikkolje	ISO 32
Kubbestørrelse	Maks. Ø250 mm
	Maks. lengde 520 mm
Produktets dimensjoner (LxBxH)	160x73x128 cm
Vekt	64 kg

Støynivåer	
Lydtrykksnivå, LpA	83 dB(A), K=3 dB
Målt lydeffektnivå, LwA	91 dB(A), K=3 dB
Maksimalt vibrasjonsnivå ¹	≥22,5 m/s ² ,

⚠ Advarsel! Bruk alltid hørselvern!

⚠ Advarsel! Det faktiske vibrasjons- og støynivået ved bruk av verktøy kan avvike fra den angitte maksimalverdien, avhengig av hvordan verktøyet brukes og materialet. Det er derfor nødvendig å bestemme hvilke sikkerhetstiltak som kreves for å beskytte brukeren, basert på et estimat av eksponering under faktiske driftsforhold (som tar i betraktning alle stadier av arbeidssyklusen, for eksempel når verktøyet er slått av og når det er tomgang, i tillegg til oppstartstiden).

¹ De deklarete verdiene for vibrasjon og støy, som er målt i henhold til en standardisert testmetode, kan brukes til å sammenligne forskjellige verktøy med hverandre og for en foreløpig vurdering av eksponering. Måleverdiene er fastsatt i henhold til EN 609-1.

Indholdsfortegnelse

1 Indledning	34
1.1 Produktbeskrivelse.....	34
1.2 Anvendelse	34
1.3 Symboler	34
1.4 Produktoversigt.....	35
2 Sikkerhed	35
2.1 Sikkerhedsdefinitioner.....	35
2.2 Sikkerhedsanvisninger for brug.....	35
3 Samlevejledning	36
3.1 Sådan samles produktet.....	36
3.2 Brug	36
3.3 Gør følgende før brug	36
4 Vedligeholdelse	37
4.1 For at udføre en funktionstest af den tohåndsbetjente sikkerhedskontrolanordning....	37
4.2 Sådan udluftes det hydrauliske system....	37
4.3 Sådan kontrollerer du hydraulikolien.....	37
4.5 Sådan rengøres produktet	38
5 Fejlfinding	39
7 Service	39
8 Bortskaffelse	39
9 Tekniske data	40

1 Indledning

1.1 Produktbeskrivelse

Produktet er en elektrisk brændekløver.

1.2 Anvendelse

Produktet er beregnet til at kløve træstammer. Produktet er beregnet til husholdningsbrug.

1.3 Symboler

	Læs betjeningsvejledningen omhyggeligt, og vær sikker på, du forstår den, før du tager produktet i brug. Gem betjeningsvejledningen til senere brug.
	Produktet overholder gældende EU-direktiver og -forordninger.
	Brug godkendt sikkerhedsudstyr.
	Brug beskyttelseshandsker.
	Brug beskyttelsesstøvler.
	Advarsel! Risiko for elektrisk stød.
	Træk stikket ud, før du foretager justeringer, service eller vedligeholdelse på produktet.
	Hold personer og dyr på sikker afstand af arbejdsområdet.
	Advarsel! Bevægelige dele. Hold kropsdele på afstand.
	Advarsel! Klemmefare! Hold hænderne på sikker afstand af sprækker i træet.
	Advarsel! Bevægelige dele. Hold kropsdele på afstand.

	Bortskaf altid brugt olie. Hæld ikke olie i afløb, jorden eller vand.
	Brug ikke maskinen, når afskærmningen er fjernet.
	Undersøg produktet før brug.
	Skal bortskaffes som elektronikaffald.

1.4 Produktoversigt

(Figur 1)

1. Skubbeplade
2. Spaltekilte
3. Udførselsbord
4. Støtteben
5. CE-skilt og advarsler
6. Stativ
7. Kløvebord
8. Start aktuator
9. Hjul
10. Motor
11. Betjeningsgreb
12. Afskærmning (4 sektioner)

2 Sikkerhed

2.1 Sikkerhedsdefinitioner

⚠ Advarsel! Manglende overholdelse af disse anvisninger kan medføre død eller personskade.

⚠ Forsigtig! Manglende overholdelse af disse anvisninger kan medføre skader på produktet, andre materialer eller det omgivende område.

Bemærk! Information der er nødvendig i bestemte situationer.

2.2 Sikkerhedsanvisninger for brug

⚠ Advarsel! Manglende overholdelse af disse anvisninger kan medføre død eller personskade.

- Læs nedenstående advarsler, før du bruger produktet.
- Brug ikke produktet, hvis du er træt, syg eller påvirket af alkohol, stoffer eller medicin. Dette har en negativ effekt på dit syn og din opmærksomhed, koordination og dømmekraft.
- Lad ikke børn eller personer, som ikke er fortrolige med produktet, benytte det.
- Brug ikke produktet, hvis det er beskadiget.
- Undlad at foretage ændringer på produktet.
- Produktet må kun bruges til det tilsigtede formål.
- Sørg for, at du ved, hvordan du bruger produktets betjeningslementer.
- Sørg for, at arbejdsområdet er rent og godt oplyst.
- Hold produktet rent. Hold produktet fri for værktøj og løse genstande.
- Kontrollér produktet før brug. Sørg for, at alle skruer er spændt korrekt inden brug. Brug ikke produktet, hvis sikkerhedsanordningerne er beskadiget.
- Brug ikke produktet i våde områder. Undgå at udsætte produktet for regn.
- Brug ikke produktet i et eksplosivt miljø eller i nærheden af brandfarlige væsker, gas eller støv.
- Bær ikke løstsiddende tøj, smykker eller ure, der kan komme i klemme i de bevægelige dele.
- Brug altid personlige værnemidler, når du betjener produktet. Se "2.3 Personlige værnemidler" på side 36.
- Operatøren skal arbejde alene. Lad ikke en person hjælpe operatøren, hvis en træstamme sidder fast.
- Lad ikke børn eller uautoriserede personer betjene produktet.
- Sørg for, at ingen uautoriserede personer befinder sig i arbejdsområdet under brug.
- Kontrollér, at der ikke er søm i træstammerne. Sørg for, at enderne af træstammerne er skåret vinkelret. Sørg for at skære grene af så tæt på træstammen som muligt.
- Sørg for altid at have et godt fodfæste, når du bruger produktet.
- Stå ikke på produktet. Produktet kan vælte og forårsage alvorlig personskade.

- Fjern eller læg kun træstammen på kløvebordet, når skubbepladen er i sin startposition.
- Hold hænderne væk fra bevægelige dele.
- Hold hænderne væk fra åbne sprækker i træstammen. Åbne sprækker kan lukke sig og forårsage personskade.
- Brug ikke hænderne til at frigøre en fastklemt træstamme.
- Kløv ikke træstammer, der er større end angivet i de tekniske data. Se "[9 Tekniske data](#)" på side 40.
- Sørg for, at produktet er stoppet helt, før du forlader det.
- Træk stikket ud, når produktet ikke er i brug.
- Træk altid stikket ud, før du foretager justeringer, udskifter dele, rengør produktet eller udfører vedligeholdelse på produktet.
- Sørg for, at du tydeligt kan læse skilte og mærkater. Udskift skilte og mærkater, der er blevet ulæselige eller forsvundet.

2.3 Personlige værnemidler

⚠ Advarsel! Manglende overholdelse af disse anvisninger kan medføre død eller personskade.

- Brug altid skridsikre sko.
- Brug godkendte sikkerhedsbriller eller et visir. Produktet kan slynge genstande ud, som kan forårsage permanente øjenskader.
- Brug handsker, der ikke er elektrisk ledende.

2.4 Elektrisk sikkerhed

⚠ Advarsel! Manglende overholdelse af disse anvisninger kan medføre død eller personskade.

- Tilslut kun produktet til en strømforsyning med en fejlstrømsafbryder med en maksimal udsløsningsstrøm på 30 mA.
- Før brug skal du sikre dig, at stikkontakten, netledningen og netstikket ikke er beskadiget, og at der ikke er tegn på træthed. Brug ikke produktet, hvis netledningen og/eller netstikket er beskadiget.
- Sørg for, at netledningen og netstikket har jordforbindelse.
- Sørg for, at forlængerledningen er til udendørs brug, ikke længere end 10 m, med et tværsnitsareal på ledningerne på mindst 2,5 mm².
- Sørg for, at strømspændingen svarer til mærkespændingen på typeskiltet, og at kredsløbet er sikret.

- Rør ikke ved jordforbundne overflader som rør, radiatorer, komfurer og køleskabe.
- Åbn ikke startaktuatorboksen på motoren. Elboksen må kun åbnes af autoriserede elektrikere.

3 Samvejledning

3.1 Sådan samles produktet

⚠ Advarsel! Slut ikke produktet til strømkilden, før produktet er helt samlet.

Bemærk! Sørg for, at alle bolte og skruer er spændt korrekt.

Afmonter produktet som vist på illustrationerne Fig. 2-Fig. 8

3.2 Brug

⚠ Advarsel! Lad ikke produktet være uden opsyn, når det er tilsluttet stikkontakten.

3.3 Gør følgende før brug

⚠ Advarsel! Juster ikke justeringsskruen til maksimalt tryk. Det maksimale tryk er indstillet på fabrikken. Justeringsskruen er forsejlet for at sikre, at kløvekraften ikke overstiger 7 tons. Hvis denne indstilling ændres, er der risiko for alvorlig personskade og/eller materielle skader. Der er risiko for, at hydraulikpumpen ikke giver det korrekte tryk.

- Før hver brug skal du foretage en funktionstest af den tohåndsbetjente sikkerhedskontrol for at sikre, at den fungerer korrekt. Se "[4.1 For at udføre en funktionstest af den tohåndsbetjente sikkerhedskontrolanordning](#)" på side 37.
- Undersøg produktet for eventuelle skader og produktets hydrauliksystem for lækager før hver brug.
- Sørg for, at arbejdsområdet er frit for forhindringer.
- Drej udluftningsskruen åben før hver brug. Se "[4.2 Sådan udluftes det hydrauliske system](#)" på side 37.
- Brug personlige værnemidler. "[2.3 Personlige værnemidler](#)" på side 36.
- Stil produktet på en plan overflade.

3.4 Sådan betjenes produktet

⚠ Forsigtig! Tryk ikke hydraulikhåndtaget ned i mere end 5 sekunder. Ellers kan hydraulikolien blive overophedet.

⚠ Advarsel! Sørg for at kløve træstammen på korrekt vis. (Figur 9)

1 Slut produktet til en strømkilde. Se "2.4 Elektrisk sikkerhed" på side 36.

2 Læg en træstamme på kløvebordet. Sørg for, at træstammen ikke kan dreje sig eller glide under kløvningen.

! **Forsigtig!** Læg ikke træstammen på den øverste del af klingens.

3 Tryk på startaktuatoren, og træk det hydrauliske styrehåndtag mod dig.

Bemærk! Produktet har en tohånds sikkerhedskontrol. Produktet fungerer kun, når begge kontroller er aktiveret.

- A. Hold 1 hånd på det hydrauliske styrehåndtag og 1 hånd på startaktuatoren.
- B. Skubbepladen stopper, hvis 1 hånd slippes.
- C. Hvis 2 hænder slippes, vil trykpladen bevæge sig tilbage til startpositionen, før den stopper.

4 Hvis træstammen ikke kløves, skal du dreje den 90° og trykke på det hydrauliske kontrolhåndtag.

5 Hvis træstammen stadig ikke kløves, skal du bortskaffe den.

3.5 Sådan frigøres en fastsiddende træstamme

! **Advarsel!** Slå ikke på en træstamme, der sidder fast (Figur 10)

1 Slip det hydrauliske betjeningsgreb og startaktuatoren.

2 Sørg for, at skubbepladen bevæger sig tilbage til startpositionen og stopper.

3 Sæt en trækile under den træstamme, der sidder fast. (Figur 11)

4 Tryk det hydrauliske kontrolhåndtag ned for at skubbe træstammen på trækilen.

5 Hvis træstammen ikke slipper, skal du sætte en tykkere trækile under den træstamme, der sidder fast.

6 Tryk det hydrauliske kontrolhåndtag ned for at skubbe træstammen på trækilen.

7 Gentag, indtil træstammen er blevet fri.

4 Vedligeholdelse

! **Advarsel!** Stop og tag produktet ud af stikkontakten, før du udfører vedligeholdelse, service eller reparation.

Bemærk! Vedligeholdelsens hyppighed bør øges, når produktet bruges oftere.

- Brug kun originale reservedele, når du udskifter dele, der er relevante for sikkerheden.
- Lad et godkendt servicecenter udføre service på produktet.
- Sørg for, at alle skruer er spændt korrekt.

4.1 For at udføre en funktionstest af den tohåndsbetjente sikkerhedskontrolanordning

Produktet har en tohånds sikkerhedskontrol. Produktet fungerer kun, når begge kontroller er aktiveret.

- Træk kontrolhåndtaget ned – skubbepladen bevæger sig ikke.
- Tryk på startaktuatoren – skubbepladen bevæger sig ikke.
- Træk i håndtaget og tryk på startaktuatoren på samme tid – skubbepladen bevæger sig fremad.
- Slip den ene kontrol – skubbepladen stopper.
- Slip begge knapper – skubbepladen vender tilbage til startpositionen.

4.2 Sådan udluftes det hydrauliske system

Produktet er udstyret med en enkeltvirkende cylinder, som under brug skaber trykluft i det hydrauliske system. Tryklufften skal udluftes for at forhindre, at pakningerne går i stykker og forårsager skade på produktet.

1 Løsn udluftningsskruen (A) før hver brug for at frigøre trykluft, der er tilbage i det hydrauliske system. (Figur 11)

2 Stram udluftningsskruen efter brug.

Bemærk! Sørg for at stramme udluftningsskruen, før du flytter produktet.

4.3 Sådan kontrollerer du hydraulikolien

Bemærk! Kontrollér regelmæssigt hydraulikolien. Sørg for, at oliestanden er mellem "MIN"- og "MAX"-markeringen på målepinden.

- 1 Slukke for produktet. Sørg for, at alle bevægelige dele er stoppet helt.
- 2 Træk strømstikket ud.
- 3 Vend produktet med den korte side mod jorden og motoren nedad.
- 4 Løsn olieproppen.
- 5 Kontrollér oliestanden. Der skal være olie mellem mærkerne "MIN" og "MAX" på målepinden (B). (Figur 11)
- 6 Fyld hydraulikolie på, hvis det er nødvendigt. Se "[4.3.2 Sådan fyldes produktet med hydraulikolie](#)" på side [38](#).
- 7 Stram olieproppen.
- 8 Drej produktet til dets brugsposition.

4.3.1 Sådan skifter du hydraulikolie

Bemærk! Skift hydraulikolie efter hver 150 timers brug.

- 1 Slukke for produktet. Sørg for, at alle bevægelige dele er stoppet helt.
- 2 Træk strømstikket ud.
- 3 Vend produktet med den korte side mod jorden og motoren nedad.
- 4 Løsn olieproppen.
- 5 Vip produktet op på støttebenene, og lad olien løbe ud i en beholder, der kan rumme mindst 2,4 liter. (Figur 12)

4.3.2 Sådan fyldes produktet med hydraulikolie

- 1 Vend produktet med den korte side mod jorden med motoren nede. (Figur 13)
- 2 Løsn olieproppen.
- 3 Fyld olietanken med hydraulikolie. "[9 Tekniske data](#)" på side [40](#).
- 4 Udskift pakningen, hvis den er beskadiget. Sørg for, at pakningerne sidder korrekt.

- 5 Stram olieproppen.
- 6 Drej produktet til dets brugsposition.
- 7 Sørg for, at der ikke løber olie ud.

4.4 Sådan skærper du kilen

- Fjern grater og skader på kanten af kilen med en fin fil.

4.5 Sådan rengøres produktet

- Rengør produktet regelmæssigt.
- Rengør med et mildt rengøringsmiddel. Brug ikke affedtningsprodukter, der kan trænge ind i lejerne og kæden og forstyrre smøringen.

5 Fejlfinding

Problem	Mulig årsag	Handling
Motoren starter ikke.	Overbelastningsbeskyttelsen er aktiveret.	Lad motoren køle af.
Træstammen flækker ikke.	Træstammen er ikke i korrekt position.	Sæt træstammen i den rigtige position.
	Træstammen er for bred eller for svær at kløve.	Bortskaf træstammen.
	Kanten på spaltekilen er stump.	Se " 3.5 Sådan frigøres en fastsiddende træstamme " på side 37.
	Der er en olielækage.	Kontakt et autoriseret servicecenter.
	Uautoriseret justering af justeringsskruen for maksimalt tryk.	Kontakt et autoriseret servicecenter.
Skubbepladen bevæger sig ikke jævnt, produktet laver unormal støj eller vibrerer.	For lidt hydraulikolie og for meget luft i hydrauliksystemet.	Kontrollér hydraulikolieniveauet. Se " 4.3 Sådan kontrollerer du hydraulikolien " på side 37.
Der løber olie ud omkring trykpladen.	Der er luft i det hydrauliske system.	Se " 4.2 Sådan udluftes det hydrauliske system " på side 37.
	Udluftningsskruen er ikke stram, når produktet flyttes.	Stram udluftningsskruen, før produktet flyttes.
	Aftapningsproppen og målepinden er ikke spændt korrekt.	Stram aftapningsproppen og målepinden.
	Pakningerne er slidte.	Udskift pakningerne.
	Ventilerne er slidte.	Kontakt et autoriseret servicecenter.

6 Opbevaring

6.1 Sådan opbevares produktet

- Stop produktet, og tag stikket ud af stikkontakten.
- Opbevar produktet på et tørt sted med god luftgennemstrømning og en temperatur mellem -25 °C og 55 °C, beskyttet mod direkte sollys og våde forhold.
- Opbevar produktet i et aflåst område for at forhindre adgang for børn og uautoriserede personer.

7 Service

Advarsel! Juster ikke justeringsskruen til maksimalt tryk.

Service på produktet skal udføres af et autoriseret servicecenter.

- Elektrisk diagram over produktet
- Hydraulisk diagram over produktet.

8 Bortskaffelse

Følg de lokale regler ved bortskaffelse af produktet. Brænd ikke produktet.

9 Tekniske data

Parametre	Specifikation
Nominel spænding	230 V
Effekt	2,3 kW
Beskyttelsesklasse	IP54
Kløvekraft	7 t
Hydraulisk tryk	28 MPa
Volumen af hydraulikolie	3,3 l
Type hydraulikolie	ISO 32
Træstammens størrelse	Maks. Ø250 mm
	Maks. længde 520 mm
Produktets dimensioner (LxBxH)	160 x 73 x 128 cm
Vægt	64 kg

Støjniveau	
Lydtryksniveau, LpA	83 dB(A), K=3 dB
Målt lydeffektniveau, LwA	91 dB(A), K=3 dB
Maksimalt vibrationsniveau ¹	≥22,5 m/s ² ,

⚠ Advarsel! Brug altid høreværn!

⚠ Advarsel! Det faktiske vibrations- og støjniveau ved brug af værktøj kan afvige fra den angivne maksimale værdi, afhængigt af hvordan værktøjet bruges og af materialet. Det er derfor nødvendigt at bestemme, hvilke sikkerhedsforanstaltninger der er nødvendige for at beskytte brugeren, baseret på et skøn over eksponering under faktiske arbejdsforhold (under hensyntagen til alle faser af arbejdscyklussen, f.eks. den tid, hvor værktøjet er slukket, og hvor det kører i tomgang, ud over opstartstiden).

¹ De deklarerede værdier for vibrationer og støj, som er målt i henhold til en standardiseret testmetode, kan bruges til at sammenligne forskellige værktøjer med hinanden og til en foreløbig vurdering af eksponeringen. Måleværdierne er blevet fastsat i overensstemmelse med EN 609-1

Spis treści

1 Wprowadzenie	41
1.1 Opis produktu	41
1.2 Przeznaczenie.....	41
1.3 Symbole.....	41
1.4 Przegląd produktu	42
2 Bezpieczeństwo	42
2.1 Definicje rodzaju ostrzeżeń.....	42
2.2 Instrukcja bezpiecznej obsługi.....	42
3 Montaż	43
3.1 Sposób montażu.....	43
3.2 Obsługa.....	43
3.3 Czynności do wykonania przed użyciem	43
4 Konserwacja	44
4.1 Przeprowadzenie testu funkcjonalnego dwuręcznego systemu bezpieczeństwa.....	44
4.2 Odpowietrzania układu hydraulicznego	45
4.3 Kontrola oleju hydraulicznego.....	45
4.5 Czyszczenie produktu.....	45
5 Usuwanie usterek	46
7 Serwisowanie	46
8 Utylizacja	47
9 Dane techniczne	47

1 Wprowadzenie

1.1 Opis produktu

Produkt to elektryczna łuparka do drewna.

1.2 Przeznaczenie

Produkt przeznaczony jest do rozłupywania kawałków drewna. Produkt przeznaczony do użytku domowego.

1.3 Symbole

	Przed użyciem produktu przeczytaj dokładnie instrukcję obsługi i upewnij się, że ją rozumiesz. Zachowaj instrukcję na przyszłość.
	Niniejszy produkt spełnia wymagania stosownych dyrektyw i rozporządzeń unijnych.
	Używaj zatwierdzonych środków ochrony.
	Używaj rękawic ochronnych.
	Używaj obuwia ochronnego.
	Ostrzeżenie! Ryzyko porażenia prądem.
	Przed przystąpieniem do regulacji, serwisowania lub konserwacji produktu należy wyciągnąć wtyczkę z gniazdka.
	Zadbaj, aby osoby postronne i zwierzęta przebywały w bezpiecznej odległości od miejsca pracy.
	Ostrzeżenie! Ruchome części. Chroń części ciała przed kontaktem z nimi.
	Ostrzeżenie! Ryzyko zakleszczenia! Trzymaj ręce w bezpiecznej odległości od pęknięć w drewnie.
	Ostrzeżenie! Ruchome części. Chroń części ciała przed kontaktem z nimi.

	Zużyty olej zawsze poddawaj recyklingowi. Nie wylewaj oleju do kanalizacji, gleby lub wody.
	Nie używaj produktu przy zdjętej osłonie.
	Przed użyciem sprawdź produkt.
	Utylizuj jak odpady elektryczne.

1.4 Przegląd produktu

(Rysunek 1)

1. Płyta dociskowa
2. Klin rozszczepiający
3. Stół łuparki
4. Wspornik
5. Tabliczka CE i etykiety ostrzegawcze
6. Stojak
7. Stół do rozłupywania
8. Siłownik rozruchu
9. Koła
10. Silnik
11. Dźwignia sterowania
12. Osłona (4 sekcje)

2 Bezpieczeństwo

2.1 Definicje rodzaju ostrzeżeń

⚠ Ostrzeżenie! W razie niestosowania się do niniejszej instrukcji zachodzi ryzyko śmierci lub obrażeń ciała.

⚠ Przystoga! W razie niestosowania się do niniejszej instrukcji zachodzi ryzyko uszkodzenia produktu lub innych materiałów, a także wyrządzenia szkód w otoczeniu.

Uwaga! Informacje dotyczące postępowania w określonych sytuacjach.

2.2 Instrukcja bezpiecznej obsługi

⚠ Ostrzeżenie! W razie niestosowania się do niniejszej instrukcji zachodzi ryzyko śmierci lub obrażeń ciała.

- Przed użyciem produktu zapoznaj się z ostrzeżeniami w niniejszej instrukcji.
- Nie używaj produktu w stanie zmęczenia, choroby, pod wpływem alkoholu, narkotyków lub leków. Powyższe zdarzenia mają negatywny wpływ na zdolność widzenia, czujność, koordynację oraz ocenę sytuacji.
- Nie pozwól, aby produktu używało dziecko lub osoba nieobeznana z produktem.
- Nie wolno używać produktu, jeśli jest uszkodzony.
- Nie modyfikuj produktu.
- Produktu wolno używać wyłącznie zgodnie z przeznaczeniem.
- Upewnij się, że umiesz obsługiwać elementy sterujące produktem.
- Zadbaj o porządek i dobre oświetlenie w miejscu pracy.
- Utrzymuj produkt w czystości. Nie trzymaj na produkcie żadnych narzędzi ani luźnych przedmiotów.
- Przed użyciem należy sprawdzić stan produktu. Przed uruchomieniem produktu upewnij się, że wszystkie śruby są prawidłowo dokręcone. Nie używaj produktu, jeśli zabezpieczenia są uszkodzone.
- Nie używaj produktu w wilgotnych miejscach. Nie wystawiaj produktu na działanie deszczu.
- Nie używaj produktu w środowisku wybuchowym ani w pobliżu łatwopalnych cieczy, gazów lub pyłów.
- Nie noś luźnej odzieży, biżuterii ani zegarków, które mogą zostać wciągnięte przez ruchome części.
- Podczas obsługi produktu zawsze używaj środków ochrony słuchu. Patrz "[2.3 Środki ochrony indywidualnej](#)" [na stronie 43](#).
- Operator musi pracować sam. Nie pozwalaj, aby ktokolwiek pomagał operatorowi, jeśli polano utknę w maszynie.
- Nie pozwalaj dzieciom ani osobom nieupoważnionym na obsługę produktu.
- Upewnij się, że kiedy pracuje maszyna w obszarze pracy nie znajdują się żadne osoby nieupoważnione.
- Sprawdź, czy w polanach nie ma gwoździ. Upewnij się, że końce polan są przycięte prostopadle. Pamiętaj, aby odciąć gałęzie jak najbliżej polana.

- Podczas korzystania z produktu należy zawsze zadbać o dobre oparcie dla stóp.
- Nie stawaj na produkcie. Produkt może się przewrócić i spowodować poważne obrażenia ciała.
- Wyjmij lub połóż polano na stole do rozluptywania tylko wtedy, gdy popychacz znajduje się w pozycji początkowej.
- Trzymaj ręce z dala od ruchomych części.
- Trzymaj ręce z dala od otwartych pęknięć w polanie. Otwarte pęknięcia mogą się zamknąć i spowodować obrażenia ciała.
- Nie używaj rąk do uwolnienia zakleszczonego polana.
- Nie rozłupuj polan większych niż podano w danych technicznych. Patrz "9 Dane techniczne" na stronie 47.
- Zanim odejdziesz od maszyny, upewnij się, że produkt całkowicie się zatrzymał.
- Wyciągnij wtyczkę z gniazda, gdy produkt nie jest używany.
- Zawsze odłączaj wtyczkę przed regulacją, wymianą części, czyszczeniem produktu lub konserwacją produktu.
- Upewnij się, że możesz bez problemu odczytać oznaczenia i naklejki. Wymień oznaczenia i naklejki, które stały się nieczytelne lub zaginęły.

2.3 Środki ochrony indywidualnej

! **Ostrzeżenie!** W razie niestosowania się do niniejszej instrukcji zachodzi ryzyko śmierci lub obrażeń ciała.

- Zawsze noś buty antypoślizgowe.
- Noś zatwierdzone okulary ochronne lub osłonę twarzy. Produkt może wyrzucać w powietrze przedmioty, które mogą spowodować trwałe obrażenia oczu.
- Noś rękawice, które nie przewodzą prądu elektrycznego.

2.4 Bezpieczeństwo elektryczne

! **Ostrzeżenie!** W razie niestosowania się do niniejszej instrukcji zachodzi ryzyko śmierci lub obrażeń ciała.

- Produkt należy podłączać wyłącznie do źródła prądu z wyłącznikiem różnicowoprądowym o maksymalnym prądzie wyzwalającym 30 mA.
- Przed użyciem produktu upewnij się, że gniazdo elektryczne, przewód zasilający oraz wtyczka nie są uszkodzone i nie wykazują oznak zużycia. Nie używaj produktu, jeśli produkt, przewód zasilający lub wtyczka są uszkodzone.

- Upewnij się, że przewód zasilający i wtyczka zasilania są uzziemione.
- Upewnij się, że przedłużacz przeznaczony jest do użytku na zewnątrz, jego długość nie przekracza 10 m, a przekrój żył wynosi co najmniej 2,5 mm².
- Upewnij się, że napięcie zasilania odpowiada napięciu znamionowemu podanemu na tabliczce znamionowej i że obwód jest chroniony bezpiecznikiem.
- Nie dotykaj uzziemionych przedmiotów, takich jak rury, kaloryfery, kuchenki czy lodówki.
- Nie otwieraj skrzynki siłownika na silniku. Skrzynkę elektryczną może otworzyć wyłącznie wykwalifikowany elektryk.

3 Montaż

3.1 Sposób montażu

! **Ostrzeżenie!** Nie podłączaj produktu do źródła zasilania, dopóki nie zostanie całkowicie zmontowany.

Uwaga! Upewnij się, że wszystkie śruby i wkręty są prawidłowo dokręcone.

Montuj produkt zgodnie z instrukcjami na ilustracjach od rys. 2 do rys. 8.

3.2 Obsługa

! **Ostrzeżenie!** Nie pozostawiaj produktu bez nadzoru, gdy jest podłączony do gniazda elektrycznego.

3.3 Czynności do wykonania przed użyciem

! **Ostrzeżenie!** Nie ustawiaj śruby regulacyjnej na maksymalne ciśnienie. Maksymalne ciśnienie jest ustawione fabrycznie. Śruba regulacyjna jest zaplombowana, aby nikt nie zmieniał siły łupania na wartość wyższą niż 7 ton. W przypadku zmiany tego ustawienia istnieje ryzyko ciężkich obrażeń ciała i/lub szkód materialnych. Istnieje ryzyko, że pompa hydrauliczna nie będzie podawać prawidłowego ciśnienia.

- Przed każdym użyciem wykonaj test działania dwuręcznego systemu bezpieczeństwa, aby upewnić się, że działa prawidłowo. Patrz "[4.1 Przeprowadzenie testu funkcjonalnego dwuręcznego systemu bezpieczeństwa](#)" na stronie 44.
- Przed każdym użyciem należy sprawdzić produkt pod kątem uszkodzeń oraz szczelność układu hydraulicznego produktu.

- Upewnij się, że w miejscu pracy nie ma żadnych zawadających przedmiotów.
- Przed każdym użyciem odkręć śrubę odpowietrzającą. Patrz "4.2 Odpowietrzania układu hydraulicznego" na stronie 45.
- Stosuj środki ochrony indywidualnej. "2.3 Środki ochrony indywidualnej" na stronie 43.
- Połóż produkt na płaskiej powierzchni.

3.4 Obsługa produktu

⚠ Przewaga! Nie pchaj hydraulicznej dźwigni sterowania dłużej niż 5 sekund. W przeciwnym razie olej hydrauliczny może się przegrzać.

⚠ Ostrzeżenie! Pamiętaj, aby rozłupywać polano we właściwy sposób. (Rysunek 9)

- 1 Podłącz produkt do źródła zasilania. Patrz "2.4 Bezpieczeństwo elektryczne" na stronie 43.
- 2 Połóż polano na stole do tupania. Upewnij się, że polano nie może się przekręcić ani ześlizgnąć podczas tupania.

⚠ Przewaga! Nie kładź polana na górnej części ostrza.

- 3 Popchnij siłownik i pociągnij hydrauliczną dźwignię sterowania do siebie.

Uwaga! Produkt posiada dwuręczny system bezpieczeństwa. Produkt działa tylko wtedy, gdy oba elementy sterujące są włączone.

- A. Trzymaj jedną rękę na hydraulicznej dźwigni sterowania, a drugą na siłowniku rozruchu.
- B. Popychacz zatrzymuje się po puszczeniu jednej ręki.
- C. Jeśli operator puści obie ręce, popychacz powróci do pozycji początkowej, zanim się zatrzyma.

- 4 Jeśli polano nie pęka, obróć je o 90° i popchnij hydrauliczną dźwignię sterowania.
- 5 Jeśli polano nadal nie pęka, wyrzuć je.

3.5 Uwalnianie zakleszczonego polana

⚠ Ostrzeżenie! Nie uderzaj w polano zakleszczone w maszynie. (Rysunek 10)

- 1 Zwolnij hydrauliczną dźwignię sterowania i siłownik rozruchu.

- 2 Upewnij się, że popychacz powraca do pozycji początkowej i zatrzymuje się.
- 3 Umieść drewniany klin pod zakleszczonym polanem. (Rysunek 10)
- 4 Naciśnij hydrauliczną dźwignię sterowania, aby wsunąć polano na drewniany klin.
- 5 Jeśli nie uda Ci się uwolnić polana, podłóż pod nie grubszy drewniany klin.
- 6 Naciśnij hydrauliczną dźwignię sterowania, aby wsunąć polano na drewniany klin.
- 7 Powtarzaj tę czynność, aż uwolnisz polano.

4 Konserwacja

⚠ Ostrzeżenie! Przed wykonaniem jakichkolwiek czynności konserwacyjnych, serwisowych lub naprawczych zatrzymaj i odłącz produkt od gniazda elektrycznego.

Uwaga! Częstotliwość konserwacji powinna się zwiększać w przypadku częstszego używania produktu.

- Podczas wymiany części mających znaczenie dla bezpieczeństwa należy używać wyłącznie oryginalnych części zamiennych.
- Zaleca się przeprowadzanie przeglądu produktu w autoryzowanym serwisie.
- Upewnij się, że wszystkie śruby są prawidłowo dokręcone.

4.1 Przeprowadzenie testu funkcjonalnego dwuręcznego systemu bezpieczeństwa

Produkt posiada dwuręczny system bezpieczeństwa. Produkt działa tylko wtedy, gdy oba elementy zabezpieczenia są włączone.

- Pociągnij dźwignię sterującą w dół – popychacz nie porusza się.
- Naciśnij siłownik rozruchu – popychacz nie porusza się.
- Pociągnij dźwignię i jednocześnie popchnij siłownik rozruchu – popychacz przesuwa się do przodu.
- Zwolnij jeden przycisk bezpieczeństwa – popychacz zatrzymuje się.
- Zwolnij oba przyciski bezpieczeństwa – popychacz powraca do pozycji wyjściowej.

4.2 Odpowietrzania układu hydraulicznego

Produkt wyposażony jest w cylinder jednostronnego działania, który podczas pracy wytwarza w układzie hydraulicznym sprężone powietrze. Sprężone powietrze musi zostać spuszczone, aby zapobiec pęknięciu uszczelek i uszkodzeniu produktu.

- 1 Przed każdym użyciem odkręć śrubę odpowietrzającą(A), aby ją spuścić sprężone powietrze pozostające w układzie hydraulicznym. (Rysunek 11)
- 2 Po użyciu dokręć śrubę odpowietrzającą.

Uwaga! Przed przeniesieniem produktu dokręć śrubę odpowietrzającą.

4.3 Kontrola oleju hydraulicznego

Uwaga! Regularnie sprawdzaj olej hydrauliczny. Upewnij się, że poziom oleju znajduje się pomiędzy oznaczeniami „MIN” i „MAX” na bagnecie.

- 1 Wyłącz produkt. Upewnij się, że wszystkie ruchome części całkowicie się zatrzymały.
- 2 Wyciągnij wtyczkę z gniazda zasilania.
- 3 Obróć produkt krótszym bokiem do podłoża, z silnikiem w dół.
- 4 Odkręć korek oleju.
- 5 Sprawdź poziom oleju. Olej powinien znajdować się pomiędzy oznaczeniami „MIN” i „MAX” na bagnecie (B). (Rysunek 11)
- 6 W razie potrzeby dolej olej hydrauliczny do odpowiedniego poziomu. Patrz [“4.3.2 Napełnianie produktu olejem hydraulicznym”](#) na stronie 45.
- 7 Dokręć korek oleju.
- 8 Obróć produkt do pozycji roboczej.

4.3.1 Wymiana oleju hydraulicznego

Uwaga! Wymieniaj olej hydrauliczny po każdych 150 godzinach pracy.

- 1 Wyłącz produkt. Upewnij się, że wszystkie ruchome części całkowicie się zatrzymały.

- 2 Wyciągnij wtyczkę z gniazda zasilania.
- 3 Obróć produkt krótszym bokiem do podłoża, z silnikiem w dół.
- 4 Odkręć korek oleju.
- 5 Przechyl produkt na nogi podporowe i spuść olej do pojemnika o pojemności minimum 2,4 l. (Rysunek 12)

4.3.2 Napełnianie produktu olejem hydraulicznym

- 1 Obróć produkt krótszym bokiem do podłoża, z silnikiem w dół. (Rysunek 13)
- 2 Odkręć korek oleju.
- 3 Napełnij zbiornik oleju olejem hydraulicznym. [“9 Dane techniczne”](#) na stronie 47.
- 4 Wymień uszczelkę, jeśli jest uszkodzona. Upewnij się, że uszczelka znajduje się we właściwej pozycji.
- 5 Dokręć korek oleju.
- 6 Obróć produkt do pozycji roboczej.
- 7 Upewnij się, że nie wycieka olej.

4.4 Ostrzenie kłina

- Usuń zadziory i uszkodzenia na krawędzi kłina za pomocą drobnego pilnika.

4.5 Czyszczenie produktu

- Czyść produkt regularnie.
- Czyść go łagodnym detergentem. Nie używaj produktów odtłuszczających, które mogą przeniknąć do łożysk i łańcucha i wpłynąć na smarowanie.

5 Usuwanie usterek

Problem	Możliwa przyczyna	Działanie
Silnik nie uruchamia się.	Uruchomiono się zabezpieczenie przed przeciążeniem.	Poczekaj, aż silnik ostygnie.
Polano nie pęka.	Polano znajduje się w niewłaściwej pozycji.	Umieść polano we właściwej pozycji.
	Polano jest zbyt szerokie lub zbyt twarde, aby urządzenie mogło je rozłupać.	Wyrzuć polano.
	Krawędź klina rozłupującego jest tępa.	Patrz "3.5 Uwalnianie zakleszczonego polana" na stronie 44.
	Występuje wyciek oleju.	Skontaktuj się z autoryzowanym punktem serwisowym.
	Nieautoryzowane ustawienie śruby regulacyjnej na maksymalne ciśnienie.	Skontaktuj się z autoryzowanym punktem serwisowym.
Popychacz nie porusza się płynnie, produkt wydaje nietypowy dźwięk lub wibruje.	Za mało oleju hydraulicznego i za dużo powietrza w układzie hydraulicznym.	Sprawdź poziom oleju hydraulicznego. Patrz "4.3 Kontrola oleju hydraulicznego" na stronie 45.
Olej wycieka wokół popychacza.	W układzie hydraulicznym znajduje się powietrze.	Patrz "4.2 Odpowietrzania układu hydraulicznego" na stronie 45.
	Śruba odpowietrzająca nie była dokręcona podczas przenoszenia produktu.	Dokręć śrubę odpowietrzającą przed przeniesieniem produktu.
	Korek spustowy i bagnet nie są prawidłowo dokręcone.	Dokręć korek spustowy i bagnet.
	Uszczelki są zużyte.	Wymień uszczelki.
	Zawory są zużyte.	Skontaktuj się z autoryzowanym punktem serwisowym.

6 Przechowywanie

6.1 Odłożenie do przechowywania

- Zatrzymaj produkt i odłącz wtyczkę od źródła zasilania.
- Przechowuj produkt w suchym, dobrze wentylowanym miejscu w temperaturze od -25°C do 55°C, chroń przed bezpośrednim działaniem promieni słonecznych i wilgocią.
- Produkt należy przechowywać w pomieszczeniu zamkniętym na klucz, aby uniemożliwić dostęp dzieciom i osobom nieupoważnionym.

7 Serwisowanie

Ostrzeżenie! Nie ustawiaj śruby regulacyjnej na maksymalne ciśnienie.

Czynności serwisowe muszą być przeprowadzane przez autoryzowane centrum serwisowe.

- Schemat elektryczny produktu
- Schemat hydrauliczny produktu.

8 Utylizacja

Pamiętaj, aby postępować zgodnie z lokalnymi przepisami dotyczącymi utylizacji. Nie spalaj produktu.

9 Dane techniczne

Parametry	Specyfikacja
Napięcie znamionowe	230 V
Moc wyjściowa	2,3 kW
Stopień ochrony	IP54
Siła rozłupująca	7 t
Ciśnienie hydrauliczne	28 MPa
Objętość oleju hydraulicznego	3,3 l
Rodzaj oleju hydraulicznego	ISO 32
Rozmiar polana	Maks. Ø250 mm
	Maks. długość 520 mm
Wymiary produktu (dł. x szer. x wys.)	160 x 73 x 128 cm
Masa	64 kg

Poziom hałas	
Poziom ciśnienia akustycznego, LpA	83 dB(A), K=3 dB
Zmierzony poziom mocy akustycznej, LWA	91 dB(A), K=3 dB
Maksymalny poziom drgań ¹	≥22,5 m/s ² ,

! **Ostrzeżenie!** Zawsze stosuj środki ochrony słuchu!

! **Ostrzeżenie!** W zależności od sposobu korzystania z narzędzi i stosowanego materiału rzeczywisty poziom drgań i hałasu podczas pracy może różnić się od podanej wartości maksymalnej. Dlatego należy określić, w oparciu o ocenę narażenia na oddziaływanie szkodliwych czynników w warunkach rzeczywistych (przy wzięciu pod uwagę wszystkich części cyklu roboczego, jak również czasu, w którym narzędzie jest wyłączone lub pracuje na biegu jałowym, poza czasem rozruchowym), które środki zabezpieczające są wymagane, aby chronić użytkownika.

¹ Podana wartość emisji drgań została zmierzona znormalizowaną metodą badania i może zostać wykorzystana do porównywania elektronarzędzi oraz przygotowania wstępnej oceny narażenia. Zmierzone wartości zostały ocenione zgodnie z normą EN 609-1

Inhaltsverzeichnis

1 Einführung	48
1.1 Produktbeschreibung	48
1.2 Verwendungszweck	48
1.3 Symbole	48
1.4 Produktübersicht	49
2 Sicherheit	49
2.1 Sicherheitshinweise	49
2.2 Sicherheitshinweise zum Betrieb	49
3 Montage	50
3.1 So montieren Sie das Produkt	50
3.2 Anwendung	50
3.3 Was vor dem Betrieb zu tun ist	50
4 Wartung und Pflege	51
4.1 So führen Sie eine Funktionsprüfung der Zweihand-Sicherheitssteuerung durch	51
4.2 So entlüften Sie das Hydrauliksystem	52
4.3 So prüfen Sie das Hydrauliköl	52
4.5 So reinigen Sie das Produkt	52
5 Fehlersuche	53
7 Wartung und Pflege	53
8 Entsorgung	54
9 Technische Daten	54

1 Einführung

1.1 Produktbeschreibung

Das Produkt ist ein elektrischer Holzspalter.



1.2 Verwendungszweck

Das Produkt ist zum Spalten von Holzklötzen bestimmt.

Das Produkt ist für den Hausgebrauch bestimmt.

1.3 Symbole

	Lesen Sie die Gebrauchsanweisung sorgfältig durch und vergewissern Sie sich, dass Sie die Anweisungen verstanden haben, bevor Sie das Produkt benutzen. Bewahren Sie die Anleitung zum späteren Nachschlagen auf.
	Dieses Produkt entspricht den geltenden EU-Richtlinien und -Vorschriften.
	Zugelassene Schutzausrüstung tragen.
	Schutzhandschuhe tragen.
	Schutzstiefel tragen.
	Warnung! Gefahr eines Stromschlags.
	Ziehen Sie den Netzstecker, bevor Sie Einstellungen, Wartungs- oder Instandhaltungsarbeiten am Gerät vornehmen.
	Halten Sie Personen und Tiere in einem sicheren Abstand zum Arbeitsbereich.
	Warnung! Bewegliche Teile. Halten Sie Körperteile fern.
	Warnung! Quetschgefahr! Halten Sie Ihre Hände von Rissen im Holz fern.
	Warnung! Bewegliche Teile. Halten Sie Körperteile fern.

	Altöl immer recyceln. Öl nicht in die Kanalisation, in den Boden oder ins Wasser schütten.
	Nicht mit abgenommenem Schutzbügel bedienen.
	Überprüfen Sie das Produkt vor dem Gebrauch.
	Als Elektroschrott entsorgen.

1.4 Produktübersicht

(Abbildung 1)

1. Schiebepatte
2. Spaltkeil
3. Auslauftisch
4. Stützstrebe
5. CE-Kennzeichen und Warnschilder
6. Ständer
7. Spalttisch
8. Startschalter
9. Rad
10. Motor
11. Steuerhebel
12. Schutzvorrichtung (4 Abschnitte)

2 Sicherheit

2.1 Sicherheitshinweise

⚠️ Warnung! Wenn Sie diese Anweisungen nicht befolgen, besteht Lebens- und Verletzungsgefahr.

⚠️ Achtung! Wenn Sie diese Anweisungen nicht befolgen, besteht die Gefahr, dass das Produkt, andere Materialien oder der angrenzende Bereich beschädigt werden.

Hinweis! Informationen, die in einer bestimmten Situation notwendig sind.

2.2 Sicherheitshinweise zum Betrieb

⚠️ Warnung! Wenn Sie diese Anweisungen nicht befolgen, besteht Lebens- und Verletzungsgefahr.

- Lesen Sie die folgenden Warnhinweise, bevor Sie das Produkt verwenden.
- Verwenden Sie das Produkt nicht, wenn Sie müde oder krank sind oder unter dem Einfluss von Alkohol, Drogen oder Medikamenten stehen. Dies wirkt sich negativ auf Ihr Sehvermögen, Ihre Wachsamkeit, Ihre Koordination und Ihr Urteilsvermögen aus.
- Erlauben Sie niemals Kindern oder Personen, die mit dem Produkt nicht vertraut sind, es zu benutzen.
- Verwenden Sie das Produkt niemals, wenn es defekt ist.
- Das Produkt darf nicht modifiziert werden.
- Das Produkt darf nur für den vorgesehenen Zweck verwendet werden.
- Stellen Sie sicher, dass Sie wissen, wie Sie die Bedienelemente des Produkts verwenden.
- Stellen Sie sicher, dass der Arbeitsbereich sauber und gut beleuchtet ist.
- Halten Sie das Produkt sauber. Halten Sie das Produkt frei von Werkzeugen und losen Gegenständen.
- Überprüfen Sie das Produkt vor der Verwendung. Stellen Sie vor dem Betrieb sicher, dass alle Schrauben richtig angezogen sind. Benutzen Sie das Produkt nicht, wenn die Sicherheitsvorrichtungen beschädigt sind.
- Verwenden Sie das Produkt nicht in nassen Bereichen. Setzen Sie das Produkt nicht dem Regen aus.
- Verwenden Sie das Produkt nicht in einer explosiven Umgebung oder in der Nähe von brennbaren Flüssigkeiten, Gasen oder Stäuben.
- Tragen Sie keine weite Kleidung, Schmuck oder Uhren, die sich in den beweglichen Teilen verfangen können.
- Verwenden Sie immer zugelassene persönliche Schutzausrüstung, wenn Sie das Produkt bedienen: Siehe „2.3 Persönliche Schutzausrüstung“ auf Seite 50.
- Der Bediener muss allein arbeiten. Nicht zulassen, dass jemand dem Bediener hilft, wenn ein Holzklötz feststeckt.
- Lassen Sie das Gerät nicht von Kindern oder unbefugten Personen bedienen.
- Stellen Sie sicher, dass sich während des Betriebs keine unbefugten Personen im Arbeitsbereich aufhalten.
- Überprüfen Sie, dass sich keine Nägel in den Holzklötzen befinden. Achten Sie darauf, dass die Enden der Holzklötze rechtwinklig geschnitten sind. Achten Sie darauf, dass Sie die Äste so nah wie möglich am Holzklötz abschneiden.

- Achten Sie darauf, dass Sie immer sicher stehen, wenn Sie das Produkt verwenden.
- Nicht auf dem Produkt stehen. Das Gerät kann umkippen und schwere Verletzungen verursachen.
- Entnehmen oder legen Sie das Holz nur dann auf den Spalttisch, wenn sich die Schiebeleuchte in ihrer Ausgangsposition befindet.
- Halten Sie Ihre Hände von den beweglichen Teilen fern.
- Halten Sie Ihre Hände von offenen Rissen im Holzklötz fern. Offene Risse können sich schließen und Verletzungen verursachen.
- Benutzen Sie nicht Ihre Hände, um einen festsitzenden Holzklötz zu lösen.
- Spalten Sie keine Holzklötze, die größer sind als in den technischen Daten angegeben. Siehe [„9 Technische Daten“ auf Seite 54](#).
- Vergewissern Sie sich, dass das Produkt vollständig zum Stillstand gekommen ist, bevor Sie weggehen.
- Ziehen Sie den Netzstecker, wenn das Gerät nicht benutzt wird.
- Ziehen Sie immer den Stecker, bevor Sie Einstellungen vornehmen, Teile austauschen, das Gerät reinigen oder Wartungsarbeiten durchführen.
- Achten Sie darauf, dass Sie die Schilder und Aufkleber deutlich lesen können. Ersetzen Sie Schilder und Aufkleber, die unleserlich geworden oder verloren gegangen sind.

2.3 Persönliche Schutzausrüstung

⚠️ Warnung! Wenn Sie diese Anweisungen nicht befolgen, besteht Lebens- und Verletzungsgefahr.

- Tragen Sie immer rutschfeste Schuhe.
- Tragen Sie eine zugelassene Schutzbrille oder ein Visier. Das Produkt kann Gegenstände herausschleudern, die dauerhafte Augenverletzungen verursachen können.
- Tragen Sie Handschuhe, die nicht elektrisch leitend sind.

2.4 Elektrische Sicherheit

⚠️ Warnung! Wenn Sie diese Anweisungen nicht befolgen, besteht Lebens- und Verletzungsgefahr.

- Schließen Sie das Produkt nur an eine Stromversorgung mit einem Fehlerstromschutzschalter mit einem maximalen Auslösestrom von 30 mA an.
- Stellen Sie vor dem Gebrauch sicher, dass die Steckdose, das Netzkabel und der Netzstecker keine Beschädigungen aufweisen und keine

Ermüdungserscheinungen vorliegen. Benutzen Sie das Produkt nicht, wenn das Netzkabel und/oder der Netzstecker beschädigt sind.

- Stellen Sie sicher, dass das Netzkabel und der Netzstecker geerdet sind.
- Achten Sie darauf, dass das Verlängerungskabel für den Außenbereich geeignet ist, nicht länger als 10 m ist und einen Querschnitt der Adern von mindestens 2,5 mm² aufweist.
- Stellen Sie sicher, dass die Netzspannung mit der Nennspannung auf dem Typenschild übereinstimmt und der Stromkreis abgesichert ist.
- Berühren Sie keine geerdeten Oberflächen wie Rohre, Heizkörper, Herde und Kühlschränke.
- Öffnen Sie nicht das Startschaltergehäuse am Motor. Der Schaltkasten darf nur von autorisierten Elektrikern geöffnet werden.

3 Montage

3.1 So montieren Sie das Produkt

⚠️ Warnung! Schließen Sie das Produkt erst dann an die Stromquelle an, wenn es vollständig montiert ist.

Hinweis! Vergewissern Sie sich, dass alle Bolzen und Schrauben richtig angezogen sind.

Montieren Sie das Produkt wie in den Abbildungen Abb. 2 – Abb. 8 gezeigt.

3.2 Anwendung

⚠️ Warnung! Lassen Sie das Gerät nicht unbeaufsichtigt, wenn es an die Steckdose angeschlossen ist.

3.3 Was vor dem Betrieb zu tun ist

⚠️ Warnung! Stellen Sie die Einstellschraube nicht auf maximalen Druck ein. Der maximale Druck ist werksseitig eingestellt. Die Einstellschraube ist abgedichtet, um sicherzustellen, dass die Spaltkraft 7 Tonnen nicht überschreitet. Wenn diese Einstellung verändert wird, besteht die Gefahr von schweren Personen- und/oder Sachschäden. Es besteht die Gefahr, dass die Hydraulikpumpe nicht den richtigen Druck liefert.

- Führen Sie vor jedem Gebrauch einen Funktionstest der Zweihand-Sicherheitssteuerung durch, um sicherzustellen, dass sie richtig funktioniert. Siehe [„4.1 So führen Sie eine Funktionsprüfung der Zweihand-Sicherheitssteuerung durch“ auf Seite 51](#).
- Untersuchen Sie das Produkt vor jedem Gebrauch auf Beschädigungen und das Hydrauliksystem des Produkts auf Undichtigkeiten.

- Stellen Sie sicher, dass der Arbeitsbereich frei von Hindernissen ist.
- Drehen Sie die Entlüftungsschraube vor jedem Gebrauch auf. Siehe „4.2 So entlüften Sie das Hydrauliksystem“ auf Seite 52.
- Verwenden Sie persönliche Schutzausrüstung. „2.3 Persönliche Schutzausrüstung“ auf Seite 50.
- Stellen Sie das Produkt auf eine ebene Fläche.

3.4 So verwenden Sie das Produkt

⚠ Achtung! Drücken Sie den Hydrauliksteuerhebel nicht länger als 5 Sekunden nach unten. Andernfalls kann das Hydrauliköl überhitzen.

⚠ Warnung! Achten Sie darauf, dass der Holzklotz richtig gespalten wird. (Abbildung 9)

- 1 Schließen Sie das Produkt an eine Stromquelle an. Siehe „2.4 Elektrische Sicherheit“ auf Seite 50.
- 2 Legen Sie einen Holzklotz auf den Spalttisch. Achten Sie darauf, dass sich der Holzklotz während des Spaltvorgangs nicht verdrehen oder verrutschen kann.

⚠ Achtung! Legen Sie den Holzklotz nicht auf den oberen Teil der Klinge.

- 3 Drücken Sie den Startschalter und ziehen Sie den hydraulischen Steuerhebel zu sich heran.

Hinweis! Das Produkt ist mit einer Zweihand-Sicherheitssteuerung ausgestattet. Das Produkt funktioniert nur, wenn beide Bedienelemente aktiviert sind.

- A. Halten Sie eine Hand am hydraulischen Steuerhebel und eine Hand am Startschalter.
- B. Die Schiebeplatte stoppt, wenn eine Hand losgelassen wird.
- C. Wenn 2 Hände losgelassen werden, bewegt sich die Schiebeplatte zurück in die Startposition, bevor sie stoppt.

- 4 Wenn sich das Holz nicht spaltet, drehen Sie es um 90° und drücken Sie den hydraulischen Steuerhebel.
- 5 Wenn sich der Holzklotz immer noch nicht spaltet, entsorgen Sie ihn.

3.5 So lösen Sie einen feststehenden Holzklotz

⚠ Warnung! Nicht auf einen feststeckenden Holzklotz schlagen. (Abbildung 10)

- 1 Lassen Sie den hydraulischen Steuerhebel und den Startschalter los.
- 2 Vergewissern Sie sich, dass die Schiebeplatte in die Ausgangsposition zurückfährt und anhält.
- 3 Legen Sie einen Holzkeil unter den Holzklotz, der feststeckt. (Abbildung 10)
- 4 Drücken Sie den hydraulischen Steuerhebel nach unten, um den Holzklotz auf den Holzkeil zu schieben.
- 5 Wenn sich der Holzklotz nicht lösen lässt, legen Sie einen dickeren Holzkeil unter den feststehenden Holzklotz.
- 6 Drücken Sie den hydraulischen Steuerhebel nach unten, um den Holzklotz auf den Holzkeil zu schieben.
- 7 Wiederholen Sie den Vorgang, bis sich der Holzklotz löst.

4 Wartung und Pflege

⚠ Warnung! Stoppen Sie das Produkt und trennen Sie es von der Steckdose, bevor Sie Wartungs-, Service- oder Reparaturarbeiten durchführen.

Hinweis! Die Wartungshäufigkeit sollte erhöht werden, wenn das Produkt häufiger verwendet wird.

- Verwenden Sie beim Austausch sicherheitsrelevanter Teile nur Original-Ersatzteile.
- Lassen Sie das Produkt von einem zugelassenen Servicecenter warten.
- Stellen Sie sicher, dass alle Schrauben richtig angezogen sind.

4.1 So führen Sie eine Funktionsprüfung der Zweihand-Sicherheitssteuerung durch

Das Produkt ist mit einer Zweihand-Sicherheitssteuerung ausgestattet. Das Produkt funktioniert nur, wenn beide Bedienelemente aktiviert sind.

- Ziehen Sie den Bedienhebel nach unten - die Schiebeplatte bewegt sich nicht.
- Drücken Sie den Startschalter - die Schiebeplatte bewegt sich nicht.
- Ziehen Sie den Hebel und drücken Sie gleichzeitig auf den Startschalter - die Schiebeplatte bewegt sich nach vorne.
- Lassen Sie ein Bedienelement los - die Schiebeplatte bleibt stehen.
- Lassen Sie beide Bedienelemente los - die Schiebeplatte kehrt in ihre Ausgangsposition zurück.

4.2 So entlüften Sie das Hydrauliksystem

Das Produkt ist mit einem einfachwirkenden Zylinder ausgestattet, der während des Einsatzes Druckluft im Hydrauliksystem erzeugt. Die Druckluft muss entlüftet werden, damit die Dichtungen nicht brechen und das Produkt nicht beschädigt wird.

- 1 Lösen Sie vor jedem Einsatz die Entlüftungsschraube (A), um die im Hydrauliksystem verbliebene Druckluft abzulassen. (Abbildung 11)
- 2 Ziehen Sie die Entlüftungsschraube nach dem Gebrauch fest.

Hinweis! Ziehen Sie die Entlüftungsschraube fest, bevor Sie das Produkt bewegen.

4.3 So prüfen Sie das Hydrauliköl

Hinweis! Kontrollieren Sie regelmäßig das Hydrauliköl. Vergewissern Sie sich, dass der Ölstand zwischen den Markierungen "MIN" und "MAX" auf dem Messstab liegt.

- 1 Stoppen Sie das Produkt. Stellen Sie sicher, dass alle beweglichen Teile vollständig zum Stillstand gekommen sind.
- 2 Ziehen Sie den Netzstecker.
- 3 Drehen Sie das Produkt mit der kurzen Seite zum Boden, wobei der Motor nach unten zeigt.
- 4 Lösen Sie die Ölschraube.
- 5 Überprüfen Sie den Ölstand. Zwischen den Markierungen „MIN“ und „MAX“ auf dem Ölmesstab (B) sollte sich Öl befinden. (Abbildung 11)
- 6 Falls erforderlich, füllen Sie Hydrauliköl ein. Siehe [„4.3.2 So füllen Sie das Produkt mit Hydrauliköl“ auf Seite 52.](#)
- 7 Ziehen Sie die Ölschraube fest.
- 8 Drehen Sie das Gerät in seine Betriebsposition.

4.3.1 So wechseln Sie das Hydrauliköl

Hinweis! Wechseln Sie das Hydrauliköl nach jeweils 150 Betriebsstunden.

- 1 Stoppen Sie das Produkt. Stellen Sie sicher, dass alle beweglichen Teile vollständig zum Stillstand gekommen sind.

- 2 Ziehen Sie den Netzstecker.
- 3 Drehen Sie das Produkt mit der kurzen Seite zum Boden, wobei der Motor nach unten zeigt.
- 4 Lösen Sie die Ölschraube.
- 5 Kippen Sie das Produkt auf seine Standbeine und lassen Sie das Öl in einen Behälter mit einem Fassungsvermögen von mindestens 2,4 l ablaufen. (Abbildung 12)

4.3.2 So füllen Sie das Produkt mit Hydrauliköl

- 1 Drehen Sie das Gerät mit der kurzen Seite nach unten auf den Boden, wobei der Motor nach unten zeigt. (Abbildung 13)
- 2 Lösen Sie die Ölschraube.
- 3 Befüllen Sie den Öltank mit Hydrauliköl. [„9 Technische Daten“ auf Seite 54.](#)
- 4 Ersetzen Sie die Dichtung, wenn sie beschädigt ist. Vergewissern Sie sich, dass die Dichtung in der richtigen Position ist.
- 5 Ziehen Sie die Ölschraube fest.
- 6 Drehen Sie das Gerät in seine Betriebsposition.
- 7 Achten Sie darauf, dass kein Öl ausläuft.

4.4 Zum Schärfen des Keils

- Entfernen Sie Grate und Beschädigungen an der Kante des Keils mit einer feinen Feile.

4.5 So reinigen Sie das Produkt

- Reinigen Sie das Gerät regelmäßig.
- Mit einem milden Reinigungsmittel reinigen. Verwenden Sie keine Entfettungsmittel, die in Lager und Kette eindringen und die Schmierung beeinträchtigen können.

5 Fehlersuche

Problem	Mögliche Ursache	Maßnahme
Der Motor startet nicht.	Der Überlastungsschutz ist aktiviert.	Lassen Sie den Motor abkühlen.
Der Holzklotz spaltet sich nicht.	Der Holzklotz ist nicht in der richtigen Position.	Legen Sie den Holzklotz in die richtige Position.
	Der Holzklotz ist zu breit oder zu schwer zu spalten.	Entsorgen Sie den Holzklotz.
	Die Kante des Spaltkeils ist stumpf.	Siehe „ 3.5 So lösen Sie einen feststehenden Holzklotz “ auf Seite 51.
	Es gibt ein Ölleck.	Wenden Sie sich an einen autorisierten Kundendienst.
Die Schiebeplatte bewegt sich nicht gleichmäßig, das Gerät macht ungewöhnliche Geräusche oder vibriert.	Unbefugtes Verstellen der Einstellschraube für den maximalen Druck.	Wenden Sie sich an einen autorisierten Kundendienst.
	Zu wenig Hydrauliköl und zu viel Luft im Hydrauliksystem.	Überprüfen Sie den Hydraulikölstand. Siehe „ 4.3 So prüfen Sie das Hydrauliköl “ auf Seite 52.
Um die Schiebeplatte herum tritt Öl aus.	Es befindet sich Luft im Hydrauliksystem.	Siehe „ 4.2 So entlüften Sie das Hydrauliksystem “ auf Seite 52.
	Die Entlüftungsschraube ist nicht fest angezogen, wenn das Produkt bewegt wird.	Ziehen Sie die Entlüftungsschraube an, bevor Sie das Produkt bewegen.
	Die Ablassschraube und der Ölmesstab sind nicht richtig angezogen.	Ziehen Sie die Ablassschraube und den Messstab fest.
	Die Dichtungen sind verschlissen.	Ersetzen Sie die Dichtungen.
	Die Ventile sind verschlissen.	Wenden Sie sich an einen autorisierten Kundendienst.

6 Lagerung

6.1 So lagern Sie das Produkt

- Halten Sie das Gerät an und ziehen Sie den Netzstecker.
- Lagern Sie das Produkt an einem trockenen Ort mit guter Luftzirkulation und einer Temperatur zwischen -25 °C und 55 °C , geschützt vor direkter Sonneneinstrahlung und Nässe.
- Lagern Sie das Produkt in einem verschlossenen Bereich, um Kindern und unbefugten Personen den Zugriff zu verhindern.

7 Wartung und Pflege

Warnung! Stellen Sie die Einstellschraube nicht auf maximalen Druck ein.

Die Wartung des Produkts muss von einem autorisierten Servicecenter durchgeführt werden.

- Elektrisches Diagramm des Produkts
- Hydraulisches Schema des Produkts.

8 Entsorgung

Achten Sie darauf, dass Sie bei der Entsorgung des Produkts die örtlichen Vorschriften einhalten. Verbrennen Sie das Produkt nicht.

9 Technische Daten

Kennzahlen	Spezifikation
Nennspannung	230 V
Leistung	2,3 kW
Schutzklasse	IP54
Spaltkraft	7 t
Hydraulischer Druck	28 MPa
Volumen des Hydrauliköls	3,3 L
Hydrauliköart	ISO 32
Größe des Holzklotzes	Max. Ø250mm
	Max. Länge 520 mm
Produktabmessungen (LxBxH)	160 x 73 x 128 cm
Gewicht	64 kg

Geräuschpegel	
Schalldruckpegel, LpA	83 dB(A), K = 3 dB
Gemessener Schalleistungspegel, LwA	91 dB(A), K = 3 dB
Maximaler Vibrationspegel ¹	≥22,5 m/s ² ,

⚠ Warnung! Stets Gehörschutz tragen!

⚠ Warnung! Der tatsächliche Vibrations- und Lärmpegel bei der Verwendung von Werkzeugen kann je nach Art der Verwendung des Werkzeugs und des Materials vom angegebenen Höchstwert abweichen. Daher muss ermittelt werden, welche Sicherheitsvorkehrungen zum Schutz des Anwenders erforderlich sind, und zwar auf der Grundlage einer Abschätzung der Exposition unter tatsächlichen Betriebsbedingungen (unter Berücksichtigung aller Phasen des Arbeitszyklus, z. B. der Zeit, in der das Werkzeug ausgeschaltet ist und sich im Leerlauf befindet, zusätzlich zur Anlaufzeit).

¹ Die deklarierten Werte für Vibration und Lärm, die nach einem standardisierten Prüfverfahren gemessen wurden, können zum Vergleich verschiedener Werkzeuge miteinander und für eine vorläufige Bewertung der Exposition verwendet werden. Die Messwerte wurden ermittelt in Übereinstimmung mit EN 609-1.

Sisällysluettelo

1 Johdanto	55
1.1 Tuotteen kuvaus.....	55
1.2 Käyttötarkoitus.....	55
1.3 Symbolit.....	55
1.4 Tuotteen yleiskuvaus.....	56
2 Turvallisuus	56
2.1 Turvallisuusmääräykset.....	56
2.2 Turvaohjeet käyttöä varten.....	56
3 Kokoaminen	57
3.1 Tuotteen kokoaminen.....	57
3.2 Käyttäminen.....	57
3.3 Toimenpiteet ennen käyttöä.....	57
4 Huolto	58
4.1 Kahden käden turvaohjauslaitteen toimintatestin suorittaminen.....	58
4.2 Hydraulijärjestelmän tuuletus.....	58
4.3 Hydrauliohjainten tarkistaminen.....	58
4.5 Tuotteen puhdistaminen.....	59
5 Vianetsintä	60
7 Huolto	60
8 Hävittäminen	60
9 Tekninen data	61

1 Johdanto

1.1 Tuotteen kuvaus

Tuote on sähköinen klappikone.

1.2 Käyttötarkoitus

Tuote on tarkoitettu puukappaleiden halkaisuun. Tuote on tarkoitettu kotitalouskäyttöön.

1.3 Symbolit

	Lue käyttöohjeet huolellisesti ja varmista ennen tuotteen käytön aloittamista, että olet ymmärtänyt ohjeet. Säilytä ohjeet myöhempää käyttöä varten.
	Tämä tuote noudattaa soveltuvia EU:n direktiivejä ja säädöksiä.
	Käytä hyväksytyjä turvavarusteita.
	Käytä suojakäsineitä.
	Käytä turvajalkineita.
	Varoitus! Sähköiskun vaara.
	Irrota virtapistoke ennen tuotteen säätämistä, huoltoa tai ylläpitoa.
	Pidä ihmiset ja eläimet turvallisella etäisyydellä työalueesta.
	Varoitus! Liikkuvia osia. Pidä kehon osat etäällä koneesta.
	Varoitus! Puristuksiin joutumisen riski! Pidä kädet turvallisella etäisyydellä puun halkeamista.
	Varoitus! Liikkuvia osia. Pidä kehon osat etäällä koneesta.

	Kierrätä aina käytetty öljy. Älä kaada öljyä viemäriin, maahan tai veteen.
	Älä käytä laitetta suojus irrotettuna.
	Tarkista tuote ennen käyttöä.
	Kierrätetään sähkö- ja elektroniikkalaiteromun mukana.

1.4 Tuotteen yleiskuvaus

(Kuva 1)

1. Työntölevy
2. Halkaisuterä
3. Ulossyöttötaso
4. Tukijalka
5. CE-kilpi ja varoitusmerkinnät
6. Jalusta
7. Halkaisutaso
8. Käynnistyslaite
9. Pyörä
10. Moottori
11. Ohjausvipu
12. Suojus (4 osaa)

2 Turvallisuus

2.1 Turvallisuusmääräykset

! **Varoitus!** Jos näitä ohjeita ei noudateta, seurauksena voi olla kuoleman tai vamman vaara.

! **Huomio!** Jos näitä ohjeita ei noudateta, tuote, muut materiaalit tai ympäröivä alue voivat vahingoittua.

Huom! Välttämättömiä tietoja tiettyihin tilanteisiin.

2.2 Turvaohjeet käyttöä varten

! **Varoitus!** Jos näitä ohjeita ei noudateta, seurauksena voi olla kuolema tai vammautuminen.

- Lue seuraavat varoitukset ja ohjeet ennen tuotteen käytön aloittamista.
- Älä käytä tuotetta, jos olet väsynyt, sairaana tai alkoholin, huumeiden tai lääkkeiden vaikutuksen alainen. Nämä asiat heikentävät näkökykyäsi, valppauttasi, koordinaatiokykyäsi ja harkintakykyäsi.
- Älä anna lasten tai tuotteen käyttöön perehtymättömien henkilöiden käyttää tuotetta.
- Älä käytä tuotetta, jos se on vahingoittunut.
- Älä muuta tuotetta itse.
- Tuotetta saa käyttää vain sen käyttötarkoituksen mukaisesti.
- Varmista, että osaat käyttää tuotteen hallintalaitteita.
- Varmista, että työskentelyalue on puhdas ja hyvin valaistu.
- Pidä tuote puhtaana. Pidä tuote vapaana työkaluista ja irtoneisista esineistä.
- Tarkista tuote ennen käyttöä. Varmista, että kaikki ruuvit on kiristetty kunnolla ennen käyttöä. Älä käytä tuotetta, jos turvalaitteet ovat vaurioituneet.
- Älä käytä tuotetta kosteissa paikoissa. Älä altista tuotetta sateelle.
- Älä käytä tuotetta räjähdysvaarallisessa ympäristössä tai syttyvien nesteiden, kaasun tai pölyn lähellä.
- Älä käytä löysiä vaatteita, koruja tai kelloja, jotka voivat jäädä kiinni liikkuviin osiin.
- Käytä aina henkilösuojaimia, kun käytät tuotetta. Katso lisätietoja kohdasta "[2.3 Henkilösuojaimet](#)" sivulla 57.
- Käyttäjän on työskenneltävä yksin. Älä anna kenenkään toisen auttaa käyttäjää, jos puukappale on jumissa.
- Älä anna lasten tai luvattomien henkilöiden käyttää tuotetta.
- Varmista, että työalueella ei ole luvattomia henkilöitä käytön aikana.
- Tarkista, ettei puukappaleissa ole nauloja. Varmista, että puukappaleiden päät on leikattu kohtisuoraan. Varmista, että leikkaat oksat mahdollisimman läheltä puukappaletta.
- Varmista, että sinulla on aina tukeva jalansija, kun käytät tuotetta.
- Älä seiso tuotteen päällä. Tuote voi kaatua ja aiheuttaa vakavia henkilövahinkoja.

- Poista tai aseta puukappale halkaisutasolle vasta, kun työntölevy on alkuasennossaan.
- Pidä kädet poissa liikkuvista osista.
- Pidä kädet poissa puukappaleen avoimista halkeamista. Avoimet halkeamat voivat sulkeutua ja aiheuttaa henkilövahinkoja.
- Älä irrota juuttunutta puukappaletta käsin.
- Älä halkaise puukappaleita, jotka ovat suurempia kuin teknisissä tiedoissa on määritetty. Katso lisätietoja kohdasta "9 Tekninen data" sivulla 61.
- Varmista, että tuote on pysähtynyt kokonaan ennen kuin lähdet pois.
- Irrota virtapistoke, kun tuotetta ei käytetä.
- Irrota pistoke aina ennen säätöjen tekemistä, osien vaihtamista, tuotteen puhdistamista tai tuotteen huoltamista.
- Varmista, että voit lukea merkinnät ja tarrat selvästi. Korvaa merkinnät ja tarrat, jos niitä ei voi lukea tai ne ovat irronneet.

2.3 Henkilösuojaimet

! **Varoitus!** Jos näitä ohjeita ei noudateta, seurauksena voi olla kuolema tai vammautuminen.

- Käytä aina liukumattomia jalkineita.
- Käytä hyväksytyjä suojalaseja tai visiiriä. Tuotteesta voi sinkoutua esineitä, jotka voivat aiheuttaa pysyviä silmävammoja.
- Käytä kasineita, jotka eivät ole sähköä johtavia.

2.4 Sähköturvallisuus

! **Varoitus!** Jos näitä ohjeita ei noudateta, seurauksena voi olla kuolema tai vammautuminen.

- Kytke tuote vain virtalähteeseen, jossa on vikavirtasuojia, jonka suurin laukaisuvirta on 30 mA.
- Varmista ennen käyttöä, että pistorasia, virtajohto ja verkkopistoke eivät ole vaurioituneet ja että niissä ei ole väsymisen merkkejä. Älä käytä tuotetta, jos virtajohto ja/ tai virtapistoke ovat vaurioituneet.
- Varmista, että virtajohto ja virtapistoke on maadoitettu.
- Varmista, että jatkojohto on ulkokohtaan tarkoitettu ja enintään 10 m pitkä ja että johtojen poikkipinta-ala on vähintään 2,5 mm².
- Varmista, että virtajännite vastaa tyyppikilvessä olevaa nimellisjännitettä ja että virtapiiri on suojattu sulakkeella.

- Älä koske maadoitettuihin pintoihin, kuten putkiin, pattereihin, liesiin ja jääkaappeihin.
- Älä avaa moottorin käynnistyslaitteen koteloa. Vain valtuutetut sähköasentajat saavat avata sähkörasian.

3 Kokoaminen

3.1 Tuotteen kokoaminen

! **Varoitus!** Älä kytke tuotetta virtalähteeseen ennen kuin tuote on koottu kokonaan.

Huom! Varmista, että kaikki pultit ja ruuvit on kiristetty oikein.

Kokoa tuote kuvien 2–8 mukaisesti.

3.2 Käyttäminen

! **Varoitus!** Älä jätä tuotetta ilman valvontaa, kun se on kytketty pistorasiaan.

3.3 Toimenpiteet ennen käyttöä

! **Varoitus!** Älä säädä säätöruuvia maksimipaineen saavuttamiseksi. Maksimipaine on asetettu tehtaalla. Säätöruuvi on suljettu sen varmistamiseksi, että halkaisuvoima ei ylitä 7:ää tonnia. Jos tätä säätöä muutetaan, seurauksena on vakavan henkilövahingon ja/tai aineellisen vahingon vaara. On olemassa vaara, että hydraulipumppu ei tuota oikeaa painetta.

- Testaa ennen jokaista käyttökertaa kahden käden turvaohjaus varmistaaksesi, että kone toimii oikein. Katso lisätietoja kohdasta "4.1 Kahden käden turvaohjauslaitteen toimintatestin suorittaminen" sivulla 58.
- Tarkista tuote vaurioiden varalta ja tuotteen hydraulijärjestelmä vuotojen varalta ennen jokaista käyttöä.
- Varmista, että työalueella ei ole esteitä.
- Kierrä tuuletusruuvi auki ennen jokaista käyttöä. Katso lisätietoja kohdasta "4.2 Hydraulijärjestelmän tuuletus" sivulla 58.
- Käytä henkilökohtaisia suojavarusteita. "2.3 Henkilösuojaimet" sivulla 57.
- Aseta tuote tasaiselle alustalle.

3.4 Tuotteen käyttäminen

! **Huomio!** Älä pidä hydraulista ohjausvipua painettuna yli 5:ttä sekuntia. Muuten hydraulilijöy voi ylikuumentua.

! **Varoitus!** Varmista, että halkaiset puukappaleen oikein. (Kuva 9)

1 Liitä tuote virtalähteeseen. Katso lisätietoja kohdasta "2.4 Sähköturvallisuus" sivulla 57.

2 Aseta puukappale halkaisutasolle. Varmista, että puukappale ei voi vääntyä tai liukua halkaisuprosessin aikana.

! Huomio! Älä sijoita puukappaletta terän yläosaan.

3 Työnnä käynnistyslaitetta ja vedä hydraulista ohjausvipua itseäsi kohti.

Huom! Tuotteessa on kahden käden turvaohjaus. Tuote toimii vain, kun molemmat ohjaimet on aktivoitu.

- Tartu toisella kädellä hydrauliseen ohjausvipuun ja toisella kädellä käynnistyslaitteeseen.
- Työntölevy pysähtyy, jos jommankumman käden ote irrotetaan.
- Jos molempien käsien ote irrotetaan, työntölevy siirtyy takaisin alkuasentoon ennen pysähtymistä.

4 Jos puukappale ei halkea, käännä sitä 90° ja paina hydraulista ohjausvipua.

5 Jos puukappale ei vieläkään halkea, poista se.

3.5 Juuttuneen puukappaleen irrottaminen

! Varoitus! Älä lyö juuttunutta puukappaletta. (Kuva 10)

1 Vapauta hydraulinen ohjausvipu ja käynnistyslaite.

2 Varmista, että työntölevy siirtyy takaisin alkuasentoon ja pysähtyy.

3 Sijoita puinen kiila jumissa olevan puukappaleen alle. (Kuva 10)

4 Työnnä hydraulinen ohjausvipu alas työntääksesi puukappaleen puukiilaan.

5 Jos puukappale ei irtoa, sijoita paksumpi puukiila jumissa olevan puukappaleen alle.

6 Työnnä hydraulinen ohjausvipu alas työntääksesi puukappaleen puukiilaan.

7 Toista, kunnes puukappale on irronnut.

4 Huolto

! Varoitus! Pysäytä tuote ja irrota se pistorasiasta ennen ylläpitoa, huoltoa tai korjausta.

Huom! Tuotetta on huollettava tiheämmin, kun sitä käytetään useammin.

- Käytä vain alkuperäisiä varaosia, kun vaihdat turvallisuuteen liittyviä osia.
- Anna valtuutetun huoltokeskuksen huoltaa tuote.
- Varmista, että kaikki ruuvit on kiristetty oikein.

4.1 Kahden käden turvaohjauslaitteen toimintatestin suorittaminen

Tuotteessa on kahden käden turvaohjaus. Tuote toimii vain, kun molemmat ohjaimet on aktivoitu.

- Vedä ohjausvipu alas - työntölevy ei liiku.
- Työnnä käynnistyslaitetta - työntölevy ei liiku.
- Vedä vipua ja työnnä käynnistyslaitetta samanaikaisesti - työntölevy liikkuu eteenpäin.
- Vapauta yksi ohjain - työntölevy pysähtyy.
- Vapauta molemmat ohjaimet - työntölevy palaa alkuasentoonsa.

4.2 Hydraulijärjestelmän tuuletus

Tuote on varustettu yksitoimisella sylinterillä, joka tuottaa käytön aikana paineilmaa hydraulijärjestelmään. Paineilmaa on tuulettava pois, jotta tiivisteet eivät rikkoutuisi ja vahingoittaisi tuotetta.

1 Löysää tuuletusruuvia ennen jokaista (A) käyttökertaa vapauttaaksesi hydraulijärjestelmään jäänyttä paineilmaa. (Kuva 11)

2 Kiristä tuuletusruuvi käytön jälkeen.

Huom! Varmista, että kiristät tuuletusruuvin ennen tuotteen siirtämistä.

4.3 Hydraulioöljyn tarkistaminen

Huom! Tarkista hydraulioöljy säännöllisesti. Varmista, että öljytaso on mittatikun "MIN"- ja "MAX"-merkintöjen välissä.

1 Pysäytä tuote. Varmista, että kaikki liikkuvat osat ovat pysähtyneet kokonaan.

2 Irrota virtapistoke.

- 3 Käännä tuote lyhyelle kyljelleen maahan moottorin jäädessä alapuolelle.
- 4 Löysää öljytulppaa.
- 5 Tarkista öljytaso. Mittatikussa (B) näkyvien merkkien "MIN" ja "MAX" välissä tulee olla öljyä. (Kuva 11)
- 6 Täytä tarvittaessa hydraulioöljyllä. Katso lisätietoja kohdasta "4.3.2 Tuotteen täyttäminen hydraulioöljyllä" sivulla 59.
- 7 Kiristä öljytulppa.
- 8 Käännä tuote käyttöasentoonsa.

4.3.1 Hydraulioöljyn vaihtaminen

Huom! Vaihda hydraulioöljy jokaisen 150 käyttötunnin jälkeen.

- 1 Pysäytä tuote. Varmista, että kaikki liikkuvat osat ovat pysähtyneet kokonaan.
- 2 Irrota virtapistoke.
- 3 Käännä tuote lyhyelle kyljelleen maahan moottorin jäädessä alapuolelle.
- 4 Löysää öljytulppaa.
- 5 Kallista tuotetta tukijalkojen varassa ja valuta öljy astiaan, johon mahtuu vähintään 2,4 litraa. (Kuva 12)

4.3.2 Tuotteen täyttäminen hydraulioöljyllä

- 1 Käännä tuote lyhyelle kyljelleen maahan moottorin jäädessä alapuolelle. (Kuva 13)
- 2 Löysää öljytulppaa.
- 3 Täytä öljysäiliö hydraulioöljyllä. "9 Tekninen data" sivulla 61.
- 4 Vaihda tiiviste, jos se on vaurioitunut. Varmista, että tiiviste on oikeassa asennossa.
- 5 Kiristä öljytulppa.
- 6 Käännä tuote käyttöasentoonsa.
- 7 Varmista, ettei öljyä vuoda ulos.

4.4 Kiilan teroittaminen

- Poista purseet ja vauriot kiilan reunasta hienolla viilalla.

4.5 Tuotteen puhdistaminen

- Puhdista tuote säännöllisesti.
- Puhdista miedolla pesuaineella. Älä käytä rasvanpoistotuotteita, jotka voivat tunkeutua laakereihin ja ketjuun ja häiritä voitelua.

5 Vianetsintä

Ongelma	Mahdollinen syy	Toimenpide
Moottori ei käynnisty.	Ylikuormitussuoja on aktiivinen.	Anna moottorin jäähtyä.
Puukappale ei halkea.	Puukappale ei ole oikeassa asennossa.	Aseta puukappale oikeaan asentoon.
	Puukappale on liian leveä tai liian vaikea halkaistavaksi.	Poista puukappale.
	Halkaisukiilan reuna on tylsä.	Katso lisätietoja kohdasta " 3.5 Juuttuneen puukappaleen irrottaminen " sivulla 58.
	Tuotteessa on öljyvuoto.	Ota yhteyttä valtuutettuun huoltokeskukseen.
	Säätöruuvien luvaton säätö maksimipaineen saavuttamiseksi.	Ota yhteyttä valtuutettuun huoltokeskukseen.
Työntölevy ei liiku tasaisesti, tuote aiheuttaa epänormaalia melua tai tärisee.	Liian vähän hydraulioiljyä ja liikaa ilmaa hydraulijärjestelmässä.	Tarkista hydraulioiljyn taso. Katso lisätietoja kohdasta " 4.3 Hydraulioiljyn tarkistaminen " sivulla 58.
Öljyä vuotaa työntölevyn ympäriltä.	Hydraulijärjestelmässä on ilmaa.	Katso lisätietoja kohdasta " 4.2 Hydraulijärjestelmän tuuletus " sivulla 58.
	Tuuletusruuvi ei ole kiristetty, kun tuotetta siirretään.	Kiristä tuuletusruuvi ennen tuotteen siirtämistä.
	Tyhjennystulppaa ja mittatikkuja ei ole kiristetty oikein.	Kiristä tyhjennystulppa ja mittatikku.
	Tiivisteet ovat kuluneet.	Vaihda tiivisteet.
	Venttiilit ovat kuluneet.	Ota yhteyttä valtuutettuun huoltokeskukseen.

6 Varastointi

6.1 Tuotteen siirtäminen säilytykseen

- Pysäytä tuote ja irrota virtapistoke.
- Säilytä tuotetta kuivassa paikassa, jossa on hyvä ilmavirtaus ja -25–55 °C:n lämpötila, suojassa suoralta auringonvalolta ja märiltä olosuhteilta.
- Säilytä tuotetta lukitussa paikassa, jotta lapset ja asiattomat henkilöt eivät pääse siihen käsiksi.

7 Huolto

Varoitus! Älä säädä säätöruuvia maksimipaineen saavuttamiseksi.

Tuote on toimitettava huoltoon valtuutettuun huoltokeskukseen.

- Tuotteen sähkökaavio
- Tuotteen hydraulinen kaavio.

8 Hävittäminen

Varmista, että hävität tuotteen paikallisten määräysten mukaisesti. Älä polta tuotetta.

9 Tekninen data

Parametrit	Tekniset tiedot
Nimellisjännite	230 V
Teho	2,3 kW
Suojausluokka	IP54
Halkaisuvoima	7 t
Hydraulinen paine	28 MPa
Hydrauliöljyn tilavuus	3,3 l
Hydrauliöljyn tyyppi	ISO 32
Puukappaleen koko	Enint. Ø250 mm
	Enimmäispituus 520 mm
Tuotteen mitat (P x L x K)	160 x 73 x 128 cm
Paino	64 kg

Melutasot

Äänipainetaso, LpA	83 dB(A), K=3 dB
Mitattu äänitehotaso, LwA	91 dB(A), K=3 dB.
Suurin tärinän taso ¹	≥22,5 m/s ² ,



Varoitus! Käytä aina kuulosuojaimia!



Varoitus! Todellinen tärinä- ja melutaso työkalun käytön aikana voi poiketa määritetystä enimmäisarvosta käyttötavan ja materiaalin mukaan. Sen vuoksi on välttämätöntä määrittää, mitä turvatoimenpiteitä tarvitaan käyttäjän suojaamiseen todellisissa käyttöolosuhteissa syntyvän arvioidun altistumisen mukaisesti (huomioiden kaikki työvaiheet, esimerkiksi työkalun virrankatkaisuaika, tyhjäkäyntiaika ja käynnistysaika).

¹ Ilmoitettuja tärinä- ja meluarvoja, jotka on mitattu standardoidulla testimenetelmällä, voidaan käyttää eri työkalujen vertailuun ja altistumisen alustavaan arviointiin. Mittausarvot on määritetty standardin EN 609-1 mukaisesti.

Sommaire

1	Introduction	62
1.1	Description du produit.....	62
1.2	Utilisation prévue.....	62
1.3	Symboles.....	62
1.4	Présentation du produit.....	63
2	Sécurité	63
2.1	Définitions relatives à la sécurité.....	63
2.2	Consignes de sécurité pour le fonctionnement.....	63
3	Assemblage	64
3.1	Pour assembler le produit.....	64
3.2	Fonctionnement.....	64
3.3	À faire avant l'utilisation.....	64
4	Maintenance	65
4.1	Pour procéder à un test de fonctionnement du dispositif de commande de sécurité à deux mains.....	65
4.2	Pour purger le système hydraulique.....	66
4.3	Pour vérifier le niveau d'huile hydraulique.....	66
4.5	Pour nettoyer le produit.....	66
5	Dépannage	67
7	Maintenance	67
8	Élimination	67
9	Données techniques	68

1 Introduction

1.1 Description du produit



Le produit est une fendeuse de bûches électrique.

1.2 Utilisation prévue

Le produit est destiné à fendre des bûches. Ce produit est exclusivement destiné à une utilisation dans un cadre domestique.

1.3 Symboles

	Lisez attentivement le mode d'emploi et assurez-vous de bien comprendre les instructions avant d'utiliser le produit. Conservez le mode d'emploi pour toute référence ultérieure.
	Ce produit est conforme aux directives et réglementations européennes en vigueur.
	Portez un équipement de sécurité approuvé.
	Portez des gants de protection.
	Portez des bottes de protection.
	Avertissement ! Risque de choc électrique.
	Débranchez le produit du secteur avant d'entreprendre des réglages ou toute opération d'entretien ou de maintenance sur le produit.
	Gardez les personnes et les animaux à une distance de sécurité de la zone de travail.
	Avertissement ! Pièces mobiles. Gardez les parties du corps à l'écart.
	Avertissement ! Risque de pincement ! Gardez les mains à une distance de sécurité des fissures dans le bois.
	Avertissement ! Pièces mobiles. Gardez les parties du corps à l'écart.

	Recyclez toujours l'huile usagée. Ne versez pas d'huile dans les égouts, dans le sol ou dans les eaux.
	N'utilisez pas le produit sans sa protection.
	Inspectez le produit avant de l'utiliser.
	Recyclez comme déchet électrique.

1.4 Présentation du produit

(Figure 1)

1. Plaque de guidage
2. Coin de fendage
3. Table de sortie
4. Pied d'appui
5. Plaque CE et étiquettes d'avertissement
6. Support
7. Table de fendage
8. Actionneur de démarrage
9. Roue
10. Moteur
11. Levier de commande
12. Protection (4 parties)

2 Sécurité

2.1 Définitions relatives à la sécurité

⚠ Attention ! Le non-respect de ces instructions induit un risque de mort ou de blessure.

⚠ Attention ! Le non-respect des présentes instructions induit un risque d'endommagement du produit, des autres matériels ou de la zone adjacente.

Remarque ! Informations nécessaires dans une situation donnée.

2.2 Consignes de sécurité pour le fonctionnement

⚠ Attention ! Le non-respect de ces instructions induit un risque de mort ou de blessure.

- Lisez les instructions d'avertissement qui suivent avant d'utiliser le produit.
- N'utilisez pas le produit si vous êtes fatigué(e), malade ou sous l'influence de l'alcool, de drogues ou de médicaments. Cela a un effet négatif sur votre vision, votre vigilance, votre coordination et votre jugement.
- Ne laissez aucun enfant ni personne non familiarisé(e) avec le produit l'utiliser.
- N'utilisez pas le produit s'il est endommagé.
- Évitez de modifier le produit.
- Le produit doit être utilisé uniquement aux fins prévues.
- Assurez-vous de savoir comment utiliser les commandes du produit.
- Assurez-vous que la zone de travail est propre et bien éclairée.
- Gardez le produit propre. Gardez le produit exempt d'outils et d'objets non fixés.
- Effectuez une vérification du produit avant utilisation. Veillez à ce que toutes les vis soient bien serrées avant toute utilisation. N'utilisez pas le produit si les dispositifs de sécurité sont endommagés.
- N'utilisez pas le produit dans des zones humides. N'exposez pas le produit à la pluie.
- N'utilisez pas le produit dans un environnement explosif ou à proximité de liquides, de gaz ou de poussières inflammables.
- Ne portez pas de vêtements amples, de bijoux ou de montres qui pourraient se coincer dans les pièces mobiles.
- Portez toujours un équipement de protection individuelle lorsque vous utilisez le produit. Reportez-vous à « [2.3. Portez un équipement de protection individuelle.](#) » à la [page 64](#).
- L'utilisateur doit travailler seul. Ne laissez personne aider l'utilisateur en cas de bûche coincée.
- Ne laissez pas les enfants ou les personnes non autorisées utiliser le produit.
- Veillez à ce qu'aucune personne non autorisée ne se trouve dans la zone de travail pendant l'utilisation.
- Vérifiez que les bûches sont exemptes de clous. Veillez à ce que les extrémités des bûches soient coupées perpendiculairement. Veillez à couper les branches le plus près possible de la bûche.

- Veillez à toujours avoir une bonne prise quand vous utilisez le produit.
- Ne montez pas sur le produit. Le produit peut se renverser et causer des blessures graves.
- Retirez ou placez la bûche sur la table de fendage uniquement quand la plaque de guidage est dans sa position initiale.
- Gardez les mains et les pieds à l'écart des pièces mobiles.
- Gardez les mains à l'écart des fissures ouvertes dans la bûche. Les fissures ouvertes peuvent se refermer et causer des blessures.
- N'utilisez pas vos mains pour libérer une bûche coincée.
- Ne fendez pas les bûches de taille supérieure à celle spécifiée dans les données techniques. Reportez-vous à [« 9 Données techniques » à la page 68](#).
- Veillez à ce que le produit soit complètement arrêté avant de le quitter.
- Débranchez le produit du secteur quand le produit n'est pas utilisé.
- Débranchez toujours le produit du secteur avant d'entreprendre des réglages, de remplacer des pièces ou d'effectuer toute opération de nettoyage ou de maintenance du produit.
- Veillez à pouvoir lire clairement la signalétique sur le produit. Remplacez la signalétique devenue illisible ou perdue.

2.3 Portez un équipement de protection individuelle.

⚠ Avertissement ! Le non-respect de ces instructions induit un risque de mort ou de blessure.

- Portez toujours des chaussures antidérapantes.
- Portez des lunettes de sécurité approuvées ou une visière. Le produit peut éjecter des objets pouvant provoquer des blessures oculaires permanentes.
- Portez des gants non conducteurs d'électricité.

2.4 Sécurité électrique

⚠ Avertissement ! Le non-respect de ces instructions induit un risque de mort ou de blessure.

- Branchez le produit exclusivement à une alimentation électrique dotée d'un dispositif à courant résiduel avec un courant de déclenchement maximal de 30 mA.
- Avant utilisation, veillez à ce que la prise secteur, le cordon et la fiche électrique ne présentent aucun dommage et aucun signe de fatigue. N'utilisez pas le produit si le cordon et/ou la fiche électrique est endommagé.

- Veillez à ce que le cordon et la fiche électrique soient mis à la terre.
- Veillez à ce que la rallonge soit destinée à une utilisation en extérieur, à ce qu'elle ne dépasse pas 10 m et à ce que la surface en coupe des fils électriques soit d'au moins 2,5 mm².
- Veillez à ce que la tension d'alimentation corresponde à la tension nominale indiquée sur la plaque signalétique et à ce que le circuit soit protégé par un fusible.
- Ne touchez pas les surfaces mises à la terre telles que les tuyaux, les radiateurs, les cuisinières et les réfrigérateurs.
- N'ouvrez pas le boîtier de l'actionneur de démarrage sur le moteur. Le boîtier électrique ne doit être ouvert que par des électriciens agréés.

3 Assemblage

3.1 Pour assembler le produit

⚠ Avertissement ! Ne branchez pas le produit à la source électrique tant que le produit n'est pas complètement assemblé.

Remarque ! Veillez à ce que tous les boulons et vis soient correctement serrés.

Assemblez le produit selon les illustrations des Figures 2 à 8.

3.2 Fonctionnement

⚠ Avertissement ! Ne laissez pas le produit sans surveillance quand il est branché au secteur.

3.3 À faire avant l'utilisation

⚠ Avertissement ! Ne tentez pas d'ajuster la pression maximale à l'aide de la vis de réglage. La pression maximale est réglée en usine. La vis de réglage est scellée pour veiller à ce que la force de fendage ne dépasse pas 7 tonnes. Si ce réglage est modifié, cela peut induire un risque de blessures et/ou de dommages matériels graves. Il y a un risque que la pompe hydraulique ne donne pas la bonne pression.

- Avant chaque utilisation, procédez à un test de fonctionnement de la commande de sécurité à deux mains pour vérifier si elle fonctionne correctement. Reportez-vous à [« 4.1 Pour procéder à un test de fonctionnement du dispositif de commande de sécurité à deux mains » à la page 65](#).
- Avant chaque utilisation, inspectez le produit pour détecter tout dommage et le système hydraulique du produit pour détecter toute fuite.
- Assurez-vous que la zone de travail est libre de toute obstruction.

- Desserrez la vis de purge avant chaque utilisation. Reportez-vous à « 4.2 Pour purger le système hydraulique » à la page 66.
- Portez un équipement de protection individuelle. « 2.3 Portez un équipement de protection individuelle. » à la page 64.
- Placez le produit sur une surface à niveau.

3.4 Pour utiliser le produit

⚠ Attention ! Ne poussez pas le levier de commande hydraulique vers le bas pendant plus de 5 secondes. Dans le cas contraire, l'huile hydraulique peut surchauffer.

⚠ Avertissement ! Assurez-vous de fendre la bûche de façon appropriée. (Figure 9)

- 1 Branchez le produit à une source électrique. Reportez-vous à « 2.4 Sécurité électrique » à la page 64.
- 2 Placez une bûche sur la table de fendage. Veillez à ce que la bûche ne puisse pas se tordre ou glisser pendant l'opération de fendage.

⚠ Attention ! Ne placez pas la bûche sur la partie supérieure de la lame.

- 3 Poussez l'actionneur de démarrage et tirez le levier de commande hydraulique vers vous.

Remarque ! Le produit dispose d'une commande de sécurité à deux mains. Le produit ne fonctionne que si les deux commandes sont activées.

- A. Gardez une main sur le levier de commande hydraulique et l'autre sur l'actionneur de démarrage.
- B. La plaque de guidage s'arrête si 1 main est relâchée.
- C. Si les 2 mains sont relâchées, la plaque de guidage retourne à sa position initiale avant de s'arrêter.

- 4 Si la bûche ne se fend pas, tournez-la de 90° et appuyez sur le levier de commande hydraulique.
- 5 Si rien n'y fait, écartez-la des travaux de fendage.

3.5 Pour décoincer une bûche

⚠ Avertissement ! Ne tapez pas sur une bûche coincée. (Figure 10)

- 1 Relâchez le levier de commande hydraulique et l'actionneur de démarrage.
- 2 Veillez à ce que la plaque de guidage retourne à sa position initiale et s'arrête.
- 3 Placez un coin en bois sous la bûche coincée. (Figure 10)
- 4 Poussez le levier de commande hydraulique vers le bas pour pousser la bûche sur le coin en bois.
- 5 Si la bûche n'est pas décoincée, placez-y un coin plus épais en dessous.
- 6 Poussez le levier de commande hydraulique vers le bas pour pousser la bûche sur le coin en bois.
- 7 Répétez l'opération jusqu'à ce que la bûche se décoince.

4 Maintenance

⚠ Avertissement ! Arrêtez et débranchez le produit du secteur avant d'effectuer toute opération d'entretien, de maintenance ou de réparation.

Remarque ! Plus la fréquence d'utilisation du produit est élevée, plus la maintenance doit être fréquente.

- Utilisez uniquement des pièces détachées d'origine pour remplacer des pièces liées à la sécurité.
- Confiez la maintenance du produit à un centre de maintenance agréé.
- Veillez à ce que toutes les vis soient correctement serrées.

4.1 Pour procéder à un test de fonctionnement du dispositif de commande de sécurité à deux mains

Le produit dispose d'une commande de sécurité à deux mains. Le produit ne fonctionne que si les deux commandes sont activées.

- Abaissez le levier de commande. La plaque de guidage reste immobile.
- Appuyez sur l'actionneur de démarrage. La plaque de guidage reste immobile.
- Tirez sur le levier et appuyez sur l'actionneur de démarrage simultanément. La plaque de guidage avance.
- Relâchez une commande. La plaque de guidage s'arrête.
- Relâchez les deux commandes. La plaque de guidage retourne à sa position initiale.

4.2 Pour purger le système hydraulique

Le produit est équipé d'un vérin à simple effet qui, pendant l'utilisation, génère de l'air comprimé dans le système hydraulique. L'air comprimé doit être évacué pour éviter que les joints rompent et détériorent le produit.

- 1 Desserrez la vis de purge avant chaque (A) utilisation pour libérer l'air comprimé résiduel présent dans le système hydraulique. (Figure 11)
- 2 Serrez la vis de purge après utilisation.

Remarque ! Veillez à serrer la vis de purge avant de déplacer le produit.

4.3 Pour vérifier le niveau d'huile hydraulique

Remarque ! Effectuez régulièrement un contrôle de l'huile hydraulique. Veillez à ce que le niveau d'huile se situe entre les marquages « MIN » et « MAX » sur la jauge.

- 1 Arrêtez le produit. Veillez à ce que toutes les pièces mobiles soient complètement arrêtées.
- 2 Débranchez la fiche électrique.
- 3 Basculez le produit, son côté court sur le sol et moteur vers le bas.
- 4 Desserrez le bouchon d'huile.
- 5 Vérifiez le niveau d'huile. Il doit y avoir de l'huile entre les repères « MIN » et « MAX » sur la jauge (B). (Figure 11)
- 6 Si nécessaire, remplissez d'huile hydraulique. Reportez-vous à « 4.3.2 Pour remplir le produit d'huile hydraulique » à la page 66.
- 7 Serrez le bouchon d'huile.
- 8 Redressez le produit dans sa position d'utilisation.

4.3.1 Pour remplacer l'huile hydraulique

Remarque ! Remplacez l'huile hydraulique toutes les 150 heures d'utilisation.

- 1 Arrêtez le produit. Veillez à ce que toutes les pièces mobiles soient complètement arrêtées.
- 2 Débranchez la fiche électrique.

- 3 Basculez le produit, son côté court sur le sol et moteur vers le bas.
- 4 Desserrez le bouchon d'huile.
- 5 Remettez le produit sur ses pieds d'appui et laissez l'huile s'écouler dans un récipient d'une contenance minimale de 2,4 l. (Figure 12)

4.3.2 Pour remplir le produit d'huile hydraulique

- 1 Basculez le produit, son côté court sur le sol et moteur vers le bas. (Figure 13)
- 2 Desserrez le bouchon d'huile.
- 3 Remplissez le réservoir d'huile avec de l'huile hydraulique. « 9 Données techniques » à la page 68
- 4 Remplacez le joint s'il est endommagé. Veillez à ce que le joint soit installé correctement.
- 5 Serrez le bouchon d'huile.
- 6 Redressez le produit dans sa position d'utilisation.
- 7 Veillez à ce qu'il n'y ait pas de fuite d'huile.

4.4 Pour affûter le coin

- Enlevez toute bavure et tout dommage sur le bord du coin à l'aide d'une lime fine.

4.5 Pour nettoyer le produit

- Nettoyez le produit régulièrement.
- Nettoyez à l'aide d'un détergent doux. N'utilisez pas de produits dégraissants qui pourraient pénétrer dans les roulements et la chaîne, et compromettre la lubrification.

5 Dépannage

Problème	Cause possible	Action
Le moteur ne démarre pas.	La protection contre les surcharges est enclenchée.	Laissez le moteur refroidir.
La bûche ne se fend pas.	La bûche n'est pas dans la position appropriée.	Mettez la bûche dans la bonne position.
	La bûche est trop large ou trop dure à fendre.	Écartez la bûche des travaux de fendage.
	Le bord du coin de fendage est émoussé.	Reportez-vous à « 3.5 Pour décoincer une bûche » à la page 65.
	Il y a une fuite d'huile.	Contactez un centre de maintenance agréé.
La plaque de guidage ne bouge pas de façon fluide. Le produit émet un bruit anormal ou des vibrations.	Réglage non autorisé de la vis de réglage pour la pression maximale.	Contactez un centre de maintenance agréé.
	Pas suffisamment d'huile hydraulique et trop d'air dans le système hydraulique.	Vérifiez le niveau d'huile hydraulique. Reportez-vous à « 4.3 Pour vérifier le niveau d'huile hydraulique » à la page 66.
De l'huile s'écoule autour de la plaque de guidage.	Il y a de l'air dans le système hydraulique.	Reportez-vous à « 4.2 Pour purger le système hydraulique » à la page 66.
	La vis de purge n'a pas été serrée avant de déplacer le produit.	Serrez la vis de purge avant de déplacer le produit.
	Le bouchon de vidange et la jauge ne sont pas serrés correctement.	Serrez le bouchon de vidange et la jauge.
	Les joints sont usés.	Remplacez les joints.
	Les valves sont usées.	Contactez un centre de maintenance agréé.

6 Stockage

6.1 Pour remiser le produit

- Arrêtez le produit et débranchez-le du secteur.
- Remisez le produit dans un endroit sec et bien aéré, à une température comprise entre -25 °C et 55 °C ainsi qu'à l'abri des rayons directs du soleil et de toute humidité.
- Veillez à ce que l'endroit soit verrouillé pour en empêcher l'accès aux enfants et à toute personne non autorisée.

7 Maintenance

Avvertissement ! Ne tentez pas d'ajuster la pression maximale à l'aide de la vis de réglage.

La maintenance du produit doit être confiée à un centre de maintenance agréé.

- Schéma électrique du produit
- Schéma hydraulique du produit.

8 Élimination

Veillez à respecter la réglementation locale quand vous mettez le produit au rebut. Ne brûlez pas le produit.

9 Données techniques

Paramètres	Spécifications
Tension nominale	230 V
Sortie	2,3 kW
Indice de protection	IP54
Force de fendage	7 t
Pression hydraulique	28 MPa
Volume d'huile hydraulique	3,3 l
Type d'huile hydraulique	ISO 32
Taille de bûche	Max. Ø250 mm
	Longueur max. 520 mm
Dimensions du produit (LxlxH)	160 x 73 x 128 cm
Poids	64 kg

Niveaux de bruit	
Niveau de pression acoustique, LpA	83 dB(A), K=3 dB
Niveau de puissance acoustique mesuré, LwA	91 dB(A), K=3 dB
Niveau de vibrations maximal ¹	≥ 22,5 m/s ² ,

⚠ Attention ! Portez toujours une protection auditive !

⚠ Avertissement ! Le niveau réel de vibration et de bruit lors de l'utilisation des outils peut différer de la valeur maximale spécifiée, en fonction de la façon dont l'outil est utilisé et du matériau. Il convient dès lors de déterminer les mesures de sécurité nécessaires pour protéger l'utilisateur, sur la base d'une estimation de l'exposition dans les conditions réelles de fonctionnement (en tenant compte de toutes les étapes du cycle de travail, par exemple le moment où l'outil est éteint et celui où il est au point mort, en plus du temps de démarrage).

¹ Les valeurs déclarées pour les vibrations et le bruit, mesurées selon une méthode de test normalisée, peuvent être utilisées pour une comparaison de différents outils et une évaluation préliminaire de l'exposition. Les valeurs de mesure ont été déterminées conformément à la norme EN 609-1.

Inhoudsopgave

1 Inleiding	69
1.1 Productbeschrijving.....	69
1.2 Beoogd gebruik.....	69
1.3 Symbolen.....	69
1.4 Productoverzicht.....	70
2 Veiligheid	70
2.1 Definities van veiligheid.....	70
2.2 Veiligheidsvoorschriften voor gebruik.....	70
3 Montage	71
3.1 Het product in elkaar zetten.....	71
3.2 Gebruik.....	71
3.3 Te doen voor de operatie.....	71
4 Onderhoud	72
4.1 Een functionele test van het tweehandige veiligheidscontroleapparaat uitvoeren.....	72
4.2 Het hydraulische systeem ontluchten.....	73
4.3 Een controle van de hydraulische olie uitvoeren.....	73
4.5 Het product schoonmaken.....	73
5 Problemen oplossen	74
7 Service	74
8 Weggoaien	75
9 Technische gegevens	75

1 Inleiding

1.1 Productbeschrijving

Het product is een elektrische houtklover.

1.2 Beoogd gebruik

Het product is bedoeld om houtblokken te splijten.
Het product is bestemd voor huishoudelijk gebruik.

1.3 Symbolen

	Lees de gebruiksaanwijzing zorgvuldig en zorg ervoor dat u de instructies begrijpt voordat u het product gebruikt. Bewaar de gebruiksaanwijzing voor toekomstig gebruik.
	Dit product voldoet aan de geldende EU-richtlijnen en -regelgeving.
	Draag een goedgekeurde veiligheidsuitrusting.
	Draag beschermende handschoenen.
	Draag beschermende werkschoenen.
	Waarschuwing! Risico op elektrische schokken.
	Trek de stekker uit het stopcontact voordat u aanpassingen, service of onderhoud aan het product uitvoert.
	Houd personen en dieren op een veilige afstand van het werkgebied.
	Waarschuwing! Bewegende delen. Houd lichaamsdelen weg.
	Waarschuwing! Klemgevaar! Houd uw handen op veilige afstand van scheuren in het hout.
	Waarschuwing! Bewegende delen. Houd lichaamsdelen weg.

	Recycle gebruikte olie altijd. Giet geen olie in riolering, in de grond of in water.
	Niet gebruiken als de beschermkap verwijderd is.
	Inspecteer het product vóór gebruik.
	Recyclen als elektrisch afval.

1.4 Productoverzicht

(Afbeelding 1)

1. Duwplaat
2. Splitswig
3. Uitvoertafel
4. Steun
5. CE-plaat en waarschuwingsetiketten
6. Voet
7. Splitstafel
8. Actuator starten
9. Wiel
10. Motor
11. Bedieningshendel
12. Beschermkap (4 secties)

2 Veiligheid

2.1 Definities van veiligheid

⚠ Waarschuwing. Als u zich niet aan deze voorschriften houdt, kan dat leiden tot overlijden of letsel.

⚠ Voorzichtig. Als u zich niet aan deze voorschriften houdt, kan dat leiden tot schade aan het product, overige materialen of de nabije omgeving.

Let op. Informatie die in bepaalde situaties noodzakelijk is.

2.2 Veiligheidsvoorschriften voor gebruik

⚠ Waarschuwing. Als u zich niet aan deze voorschriften houdt, kan dat leiden tot (dodelijk) letsel.

- Lees de onderstaande waarschuwingvoorschriften voordat u het product gebruikt.
- Gebruik het product niet als u moe, ziek of onder invloed van alcohol, drugs of medicijnen bent. Dat heeft een negatief effect op uw gezichtsvermogen, alertheid en coördinatie- en beoordelingsvermogen.
- Laat dit product niet gebruiken door kinderen of mensen die er onbekend mee zijn.
- Gebruik het product niet als het is beschadigd
- Pas het product niet aan.
- Het product mag alleen worden gebruikt voor het beoogde doel.
- Zorg ervoor dat u weet hoe u de bedieningselementen van het product moet gebruiken.
- Zorg ervoor dat het werkgebied schoon en goed verlicht is.
- Houd het product schoon. Houd het product vrij van gereedschap en losse voorwerpen.
- Controleer het product voor gebruik. Zorg er vóór bediening voor dat alle schroeven goed zijn aangedraaid. Gebruik het product niet als de veiligheidsvoorzieningen beschadigd zijn.
- Gebruik het product niet in vochtige ruimtes. Stel het product niet bloot aan regen.
- Gebruik het product niet in een explosieve omgeving of in de buurt van brandbare vloeistoffen, gas of stof.
- Draag geen loszittende kleding, sieraden of horloges die vast kunnen komen te zitten in de bewegende delen.
- Gebruik altijd persoonlijke beschermingsmiddelen wanneer u met het product werkt. Zie '2.3 Persoonlijke veiligheidsuitrusting' op pagina 71.
- De operator moet alleen werken. Laat een persoon de operator niet helpen als een houtblok vastzit.
- Laat kinderen of onbevoegden het product niet bedienen.
- Zorg ervoor dat er tijdens het gebruik geen onbevoegden in het werkgebied zijn.
- Controleer of er geen spijkers in de houtblokken zitten. Zorg ervoor dat de uiteinden van de houtblokken loodrecht worden gesneden. Zorg ervoor dat u takken zo dicht mogelijk bij het houtblok afknipt.

- Zorg ervoor dat u altijd een goede houvast hebt wanneer u het product gebruikt.
- Ga niet op het product staan. Het product kan kantelen en ernstig persoonlijk letsel veroorzaken.
- Verwijder of leg houtblok alleen op de splitstafel als de duwplaat in de startpositie staat.
- Houd uw handen uit de buurt van de bewegende delen.
- Houd uw handen uit de buurt van open scheuren in het houtblok. Open scheuren kunnen sluiten en persoonlijk letsel veroorzaken.
- Gebruik uw handen niet om een vastzittend houtblok los te maken.
- Splits houtblokken niet groter dan zoals aangegeven in de technische gegevens. Zie '[9 Technische gegevens](#)' op [pagina 75](#).
- Zorg ervoor dat het product volledig is gestopt voordat u weggaat.
- Trek de stekker uit het stopcontact wanneer het product niet wordt gebruikt.
- Trek altijd de stekker eruit voordat u aanpassingen doet, onderdelen vervangt, het product schoonmaakt of onderhoud aan het product uitvoert.
- Zorg ervoor dat u de borden en stickers duidelijk kunt lezen. Vervang borden en stickers die onleesbaar zijn geworden of verloren zijn gegaan.
- Controleer of de voedingskabel en de stekker geaard zijn.
- Zorg ervoor dat de verlengkabel bestemd is voor gebruik buitenshuis, niet langer is dan 10 m, en dat draden een doorsnede van minstens 2,5 mm² hebben.
- Zorg ervoor dat de voedingsspanning overeenkomt met de nominale spanning op het typeplaatje en dat het circuit beveiligd is met een zekering.
- Raak geaarde oppervlakken zoals leidingen, radiatoren, fornuizen en koelkasten niet aan.
- Open de startactuatorbox op de motor niet. Het elektriciteitskastje mag alleen worden geopend door bevoegde elektriciens.

3 Montage

3.1 Het product in elkaar zetten

⚠ Waarschuwing! Sluit het product niet aan op de stroombron voordat het product volledig is gemonteerd.

Let op! Zorg ervoor dat alle bouten en schroeven correct zijn aangedraaid.

Zet het product volgens de illustraties in Afb. 2-8 in elkaar.

3.2 Gebruik

⚠ Waarschuwing! Laat het product niet onbeheerd achter wanneer het is aangesloten op het stopcontact.

3.3 Te doen voor de operatie

⚠ Waarschuwing! Stel de stelschroef niet in op maximale druk. De maximale druk wordt in de fabriek ingesteld. De stelschroef is afgedicht om ervoor te zorgen dat de spijtkracht niet hoger is dan 7 ton. Bij wijziging van deze aanpassing bestaat het risico op ernstig persoonlijk letsel en/of materiële schade. Het risico bestaat dat de hydraulische pomp niet de juiste druk geeft.

- Voer vóór elk gebruik een functionele test van de tweehandige veiligheidsbediening uit om ervoor te zorgen dat deze correct werkt. Zie '[4.1 Een functionele test van het tweehandige veiligheidscontroleapparaat uitvoeren](#)' op [pagina 72](#).
- Controleer vóór elk gebruik het product op eventuele beschadigingen en het hydraulische systeem van het product op lekken.
- Zorg ervoor dat het werkgebied vrij is van obstakels.
- Draai de ontluchtingsschroef vóór elk gebruik open. Zie '[4.2 Het hydraulische systeem ontluichten](#)' op [pagina 73](#).

2.3 Persoonlijke veiligheidsuitrusting.

⚠ Waarschuwing! Als u zich niet aan deze voorschriften houdt, kan dat leiden tot (dodelijk) letsel.

- Draag altijd antislipschoenen.
- Draag een goedgekeurde veiligheidsbril of een vizier. Het product kan voorwerpen uitwerpen die blijvend oogletsel kunnen veroorzaken.
- Draag handschoenen die niet elektrisch geleidend zijn.

2.4 Elektrische veiligheid

⚠ Waarschuwing! Als u zich niet aan deze voorschriften houdt, kan dat leiden tot (dodelijk) letsel.

- Sluit het product alleen aan op een voeding met een reststroomapparaat met een maximale uitschakelstroom van 30 mA.
- Controleer voor gebruik of het stopcontact, de voedingskabel en de stekker niet beschadigd zijn en of er geen tekenen van vermoeidheid zijn. Gebruik het product niet als het product, het netsnoer en/of de stekker beschadigd is.

- Gebruik een persoonlijke veiligheidsuitrusting.^{2,3} [Persoonlijke veiligheidsuitrusting' op pagina 71](#)
- Leg het product op een vlakke ondergrond.

3.4 Het product bedienen

⚠ Voorzichtig. Druk de hydraulische bedieningshendel niet langer dan 5 seconden naar beneden. Anders kan de hydraulische olie oververhit raken.

⚠ Waarschuwing! Zorg ervoor dat u het houtblok op de juiste manier splitst. (Afbeelding 9)

- 1 Sluit het product aan op een stroombron. Zie ['2.4 Elektrische veiligheid' op pagina 71.](#)
- 2 Leg een houtblok op de splitstafel. Zorg ervoor dat de stam niet kan draaien of schuiven tijdens het splitsen.

⚠ Voorzichtig! Plaats het houtblok niet op het bovenste deel van het blad.

- 3 Druk de startaandrijving in en trek de hydraulische bedieningshendel naar u toe.

Let op. Het product heeft een tweehandige veiligheidsbediening. Het product werkt alleen wanneer beide bedieningselementen zijn geactiveerd.

- A. Houd 1 hand op de hydraulische bedieningshendel en 1 hand op de startactuator.
- B. De duwplaat stopt als er 1 hand wordt losgelaten.
- C. Als er 2 handen worden losgelaten, beweegt de duwplaat terug naar de beginpositie voordat deze stopt.

- 4 Als het houtblok niet splijt, draai het dan 90° en duw op de hydraulische bedieningshendel.
- 5 Als het houtblok nog steeds niet splijt, gooit u het weg.

3.5 Een vastzittend houtblok losmaken

⚠ Waarschuwing! Sla niet op een vastzittend houtblok. (Afbeelding 10)

- 1 Laat de hydraulische bedieningshendel en de startactuator los.
- 2 Zorg ervoor dat de duwplaat terug naar de startpositie gaat en stopt.

- 3 Zet een houten wig onder het houtblok dat vastzit. (Afbeelding 10)
- 4 Druk de hydraulische bedieningshendel omlaag om het houtblok op de houten wig te duwen.
- 5 Als het houtblok niet wordt losgelaten, zet u een dikkere houten wig onder het houtblok dat vastzit.
- 6 Druk de hydraulische bedieningshendel omlaag om het houtblok op de houten wig te duwen.
- 7 Herhaal dit tot het houtblok vrij is.

4 Onderhoud

⚠ Waarschuwing! Stop en ontkoppel het product van het stopcontact voordat u onderhoud, service of reparatie uitvoert.

Let op! De onderhoudsfrequentie moet toenemen wanneer het product vaker wordt gebruikt.

- Gebruik alleen originele reserveonderdelen wanneer u onderdelen vervangt die van toepassing zijn voor de veiligheid.
- Laat een erkend servicecentrum onderhoud aan het product uitvoeren.
- Zorg ervoor dat alle schroeven goed zijn aangedraaid.

4.1 Een functionele test van het tweehandige veiligheidscontroleapparaat uitvoeren

Het product heeft een tweehandige veiligheidsbediening. Het product werkt alleen wanneer beide bedieningselementen zijn geactiveerd.

- Trek de bedieningshendel omlaag – de duwplaat beweegt niet.
- Druk op de startaandrijving – de duwplaat beweegt niet.
- Trek aan de hendel en duw tegelijkertijd op de startaandrijving – de duwplaat beweegt naar voren.
- Laat één bedieningselement los – de duwplaat stopt.
- Laat beide bedieningselementen los – het duwpallet keert terug naar de startpositie.

4.2 Het hydraulische systeem ontluichten

Het product is uitgerust met een enkelwerkende cilinder die tijdens gebruik perslucht in het hydraulische systeem creëert. De perslucht moet worden ontluicht om te voorkomen dat de afdichtingen breken en het product beschadigen.

- 1 Draai de ontluichtingsschroef (A) vóór elk gebruik los om de perslucht die in het hydraulische systeem achterblijft te laten ontsnappen. (Afbeelding 11)
- 2 Draai de ontluichtingsschroef na gebruik vast.

Let op! Zorg ervoor dat u de ontluichtingsschroef vastdraait voordat u het product verplaatst.

4.3 Een controle van de hydraulische olie uitvoeren

Let op. Controleer regelmatig de hydraulische olie. Zorg ervoor dat het oliepeil tussen de markeringen 'MIN' en 'MAX' op de peilstok ligt.

- 1 Het product uitschakelen. Zorg ervoor dat alle bewegende delen volledig zijn gestopt.
- 2 Trek de stekker eruit.
- 3 Draai het product met de korte kant naar de grond met de motor naar beneden.
- 4 Draai de olieplug los.
- 5 Controleer het oliepeil. Er moet olie zitten tussen de markeringen 'MIN' en 'MAX' op de peilstok (B). (Afbeelding 11)
- 6 Vul indien nodig met hydraulische olie. Zie ['4.3.2 Het product met hydraulische olie vullen' op pagina 73](#).
- 7 Draai de olieplug vast.
- 8 Draai het product naar de bedieningspositie.

4.3.1 De hydraulische olie verversen

Let op. Ververs de hydraulische olie na elke 150 uur gebruik.

- 1 Het product uitschakelen. Zorg ervoor dat alle bewegende delen volledig zijn gestopt.
- 2 Trek de stekker eruit.

- 3 Draai het product met de korte kant naar de grond met de motor naar beneden.
- 4 Draai de olieplug los.
- 5 Plaats het product op de steunpoten en laat de olie in een container met een inhoud van minimaal 2,4 liter lopen. (Afbeelding 12)

4.3.2 Het product met hydraulische olie vullen

- 1 Draai het product naar de korte kant naar de grond met de motor naar beneden. (Afbeelding 13)
- 2 Draai de olieplug los.
- 3 Vul de olietank met hydraulische olie. ['9 Technische gegevens' op pagina 75](#).
- 4 Vervang de verzegeling als deze beschadigd is. Zorg ervoor dat de afdichting in de juiste positie zit.
- 5 Draai de olieplug vast.
- 6 Draai het product naar de bedieningspositie.
- 7 Zorg ervoor dat er geen olie uitlekt.

4.4 De wig slijpen

- Verwijder bramen en beschadigingen aan de rand van de wig met een fijne vijl.

4.5 Het product schoonmaken

- Maak het product regelmatig schoon.
- Reinig met een mild schoonmaakmiddel. Gebruik geen ontvettingsproducten die de lagers en ketting kunnen binnendringen en de smering kunnen verstoren.

5 Problemen oplossen

Probleem	Mogelijke oorzaak	Actie
De motor start niet.	De overbelastingsbeveiliging is toegepast.	Laat de motor afkoelen.
Het houtblok splijt niet.	Het houtblok is niet in de juiste positie.	Zet het houtblok in de juiste positie.
	Het houtblok is te breed of te moeilijk te splijten.	Gooi het houtblok weg.
	De rand van de splijtwig is stomp.	Zie ' 3.5 Een vastzittend houtblok losmaken ' op pagina 72.
	Er is een olielek.	Neem contact op met een erkend servicecentrum.
De duwplaat beweegt niet soepel, het product maakt abnormaal geluid of trilt.	Onbevoegde aanpassing van de instelschroef voor maximale druk.	Neem contact op met een erkend servicecentrum.
	Te weinig hydraulische olie en te veel lucht in het hydraulische systeem.	Controleer het hydraulische-oliepeil. Zie ' 4.3 Een controle van de hydraulische olie uitvoeren ' op pagina 73.
Olie lekt weg rond de duwplaat.	Er zit lucht in het hydraulische systeem.	Zie ' 4.2 Het hydraulische systeem ontluichten ' op pagina 73.
	De ontluchtingsschroef zit niet vast wanneer het product wordt verplaatst.	Draai de ontluchtingsschroef vast voordat het product wordt verplaatst.
	De aftapplug en peilstok zijn niet goed aangedraaid.	Draai de aftapplug en de peilstok vast.
	De afdichtingen zijn versleten.	Vervang de afdichtingen.
	De kleppen zijn versleten.	Neem contact op met een erkend servicecentrum.

6 Opbergen

6.1 Het product opbergen

- Stop het product en haal de stekker uit het stopcontact.
- Bewaar het product in een droge ruimte met een goede luchtstroom en een temperatuur tussen -25°C en 55°C, beschermd tegen direct zonlicht en natte omstandigheden.
- Bewaar het product in een afgesloten ruimte om toegang voor kinderen en onbevoegden te voorkomen.

7 Service

Waarschuwing! Stel de stelschroef niet in op maximale druk.

Service aan het product moet worden uitgevoerd door een erkend servicecentrum.

- Elektrisch schema van het product
- Hydraulisch schema van het product.

8 Weggoien

Denk eraan dat u de plaatselijke regelgeving voor afvoeren van het product naleeft. Verbrand het product niet.

9 Technische gegevens

Parameters	Specificaties
Nominale spanning	230 V
Uitgang	2,3 kW
Beschermingsklasse	IP54
Splitskracht	7 t
Hydraulische druk	28 MPa
Volume hydraulische olie	3,3 l
Hydraulische-olietank	ISO 32
Stamgrootte	Max. Ø250 mm
	Max. lengte 520 mm
Productafmetingen (LxBxH)	160 x 73 x 128 cm
Gewicht	64 kg

Geluidsniveaus	
Geluidsdrukniveau, LpA	83 dB(A), K=3 dB
Gemeten geluidsvermogeniveau, LwA	91 dB(A), K = 3 dB
Maximaal trillingsniveau ¹	≥ 22,5 m/s ² ,

! **Waarschuwing.** Draag altijd gehoorbeschermers!

! **Waarschuwing!** De werkelijke trillings- en geluidsniveaus bij het gebruik van gereedschap kunnen verschillen van de opgegeven maximumwaarde, afhankelijk van hoe het gereedschap wordt gebruikt en van het materiaal. Daarom moet worden bepaald welke veiligheidsmaatregelen nodig zijn om de gebruiker te beschermen, op basis van een schatting van de blootstelling onder werkelijke werkomstandigheden (rekening houdend met alle fases van de werkcyclus, bijv. de tijd dat het gereedschap is uitgeschakeld en stationair draait, naast de opstarttijd).

¹ De opgegeven waarden voor trillingen en geluid gemeten volgens een gestandaardiseerde testmethode, kunnen worden gebruikt om verschillend gereedschap met elkaar te vergelijken en om de blootstelling vooraf te beoordelen. De meetwaarden zijn vastgesteld in overeenstemming met EN 609-1.



EU DECLARATION OF CONFORMITY / EU FÖRSÄKRAN OM ÖVERENSSTÄMMELSE / EU SAMSVARSERKLÄRING / EU-OVERENSSTEMMELSESEKRLÆRING / DEKLARACJA ZGODNOŚCI UE / EU KONFORMITÄTSEKRLÄRUNG / EU VAATIMUSTENMUKAISUUSVAKUUTUS / DÉCLARATION UE DE CONFORMITÉ / EU CONFORMITEITSVERKLARING

Jula Item number / Artikelnummer / Varennummer / Numer artykuła / Artikelnummer / Tuotenumero / Numéro de référence / Artikelnummer

027574

Model no.: LS7T-52e



Jula AB, Box 363, SE-532 24 SKARA, SWEDEN

This declaration of conformity is issued under the sole responsibility of the manufacturer. / Denna försäkran om överensstämmelse utfärdas på tillverkarens eget ansvar. / Denne samsvarserklæring er utstedt under ansvaret til produsenten. / Denne overensstemmelseserklæring udstedes på fabrikantens eneansvar. / Niniejsza deklaracja zgodności wydana zostaje na wyłączną odpowiedzialność producenta. / Diese Konformitätserklärung wird unter der alleinigen Verantwortung des Herstellers ausgestellt. / Tämä vaatimustenmukaisuusvakuutus on annettu valmistajan yksinomaista vastuulla. / La présente déclaration de conformité est émise sous la seule responsabilité du fabriquant. / Deze conformiteitsverklaring wordt afgegeven onder de uitsluitende verantwoordelijkheid van de fabrikant. /

LOG SPLITTER / VEDKLYV / VEDKLØYVER / BRÆNDEKLØVER / LUPARKA DO DREWNA / HOLZSPALTER / KLAPKONE / FENDEUR DE BÜCHES / HOUTKLOOFMACHINE

230V, 1500W S3 50%, 7T

Conforms to the following directives, regulations and standards. / Överensstämmer med följande direktiv, förordningar och standarder. / Er i samsvar med følgende direktiver, forordning og standarder. / Overholder følgende direktiver, forordninger og standarder. / Są zgodne z następującymi dyrektywami, regulacja i normami. / Entspricht den folgenden Richtlinien, Vorschriften und Normen. / Seuraaavien direktiivien, asetusten ja standardien mukainen. / Conforme aux directives, règlements et normes suivants. / Voldoet aan de volgende richtlijnen, voorschriften en normen:

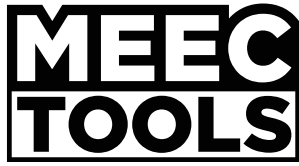
Directive/Regulation	Harmonised standard
MD 2006/42/EC	EN 609-1:2017, EN 60204-1:2018
EMC 2014/30/EU	EN 55014-1:2017/A11:2020, EN IEC 55014-1:2021, EN 55014-2:1997/A2:2008, EN IEC 55014-2:2021, EN 61000-3-2:2014, EN IEC 61000-3-2:2019/A1:2021, EN 61000-3-11:2000, EN IEC 61000-3-11:2019
RoHS 2011/65/EU + 2015/863	EN 50581:2012

This product was CE marked in year. / Produkten CE-märktes år. / Dette produktet ble CE-merket dette året. / Dette produkt blev CE-mærket i [år]. / Wyrób oznakowany znakiem CE w roku. / Dieses Produkt erhielt die CE-Kennzeichnung im Jahr. / Tämä tuote on CE-merkitty vuonna. / Ce produit a reçu le marquage CE en. / Dit product werd CE-gemarkeerd in het jaar: -23

Skara 2023-09-08

Mattias Lif

BUSINESS AREA MANAGER (Signatory for Jula and authorised to compile the technical documentation. / Undertecknat för Jula samt behörig att sammanställa den tekniska dokumentationen. / Signert for Jula og kvalifisert til å sammenfatte den tekniske dokumentasjonen. / Underskriver for Jula og bemyndiget til at udarbejde den tekniske dokumentation. / Podpisano w imieniu Jula oraz osoby upoważnionej do sporządzenia dokumentacji technicznej. / Unterzeichnet im von Jula und befugt, die technische Dokumentation zusammenzustellen / Allekirjoittanut Jula n puolesta ja valtuutettu kokoamaan tekniset asiakirjat. / Signé au nom de Jula et habilité Namen à établir la documentation technique. / Ondertekend namens Jula en gemachtigde voor de samenstelling van de technische documentatie



www.jula.com