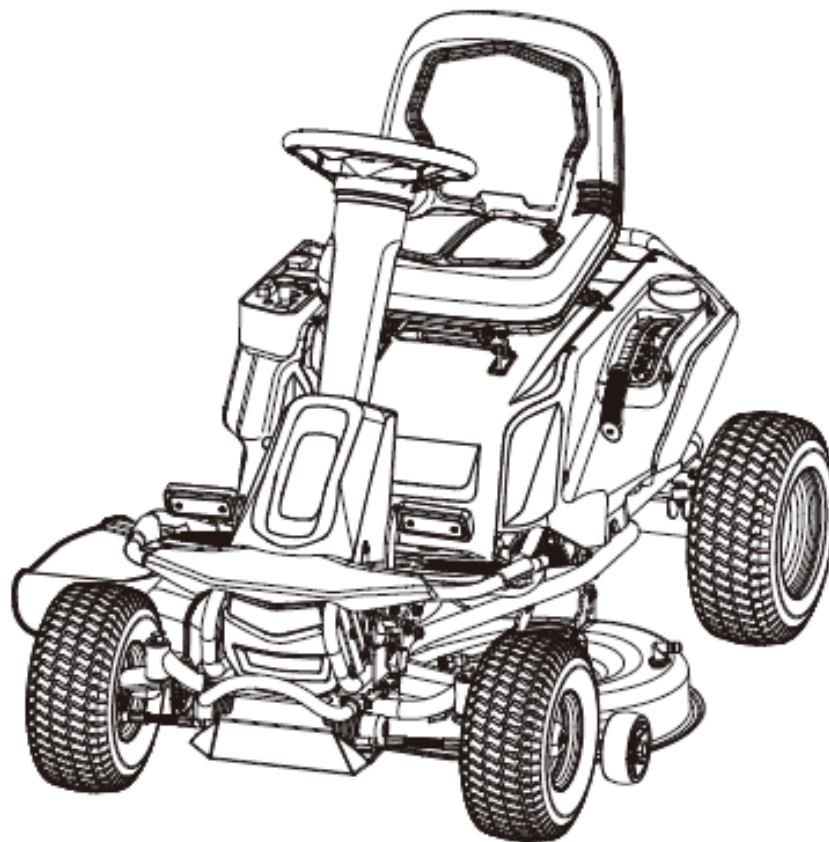
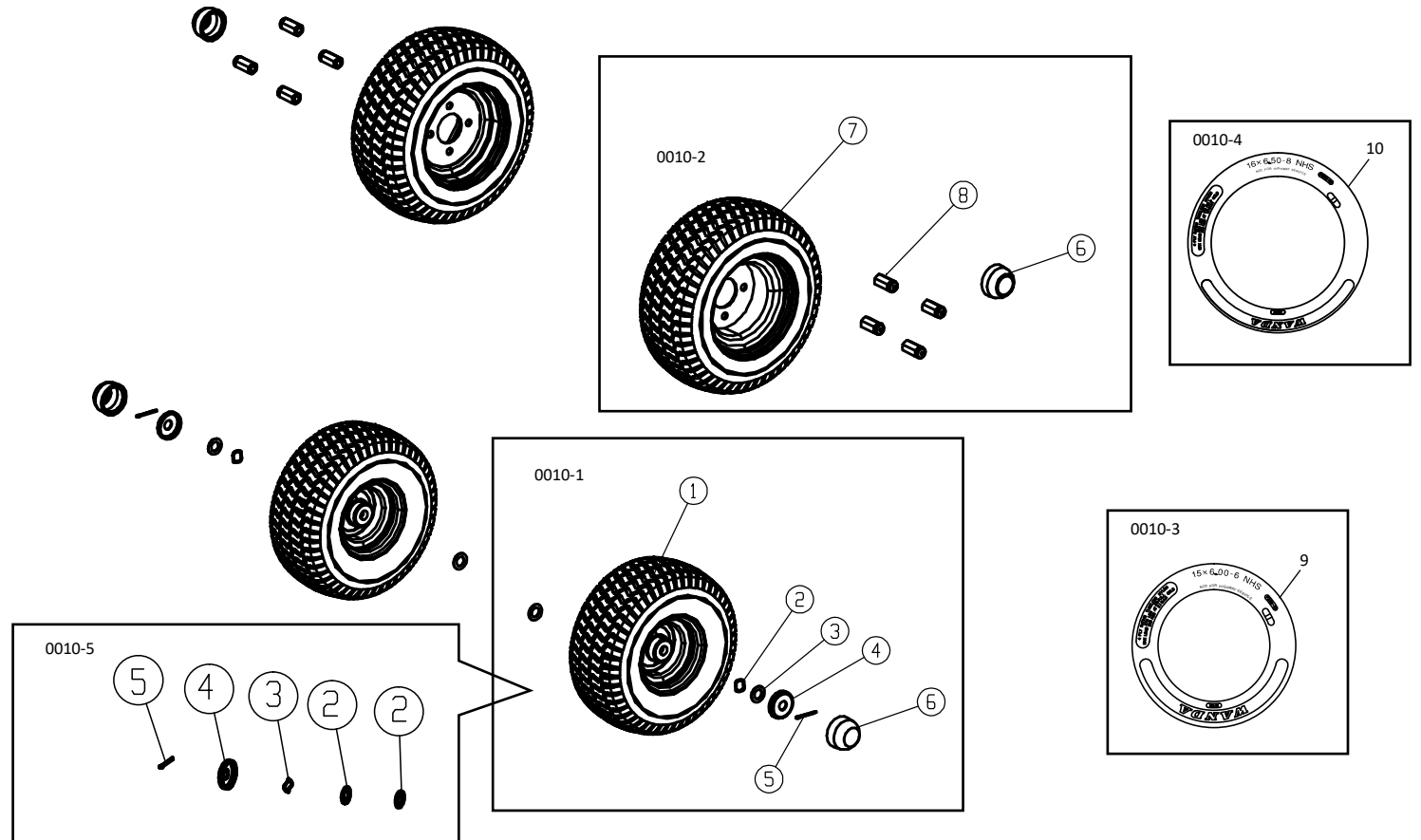

RIDING LAWN MOWER

SAN: YF03602345ZB

Model: YF48vRX-RER38

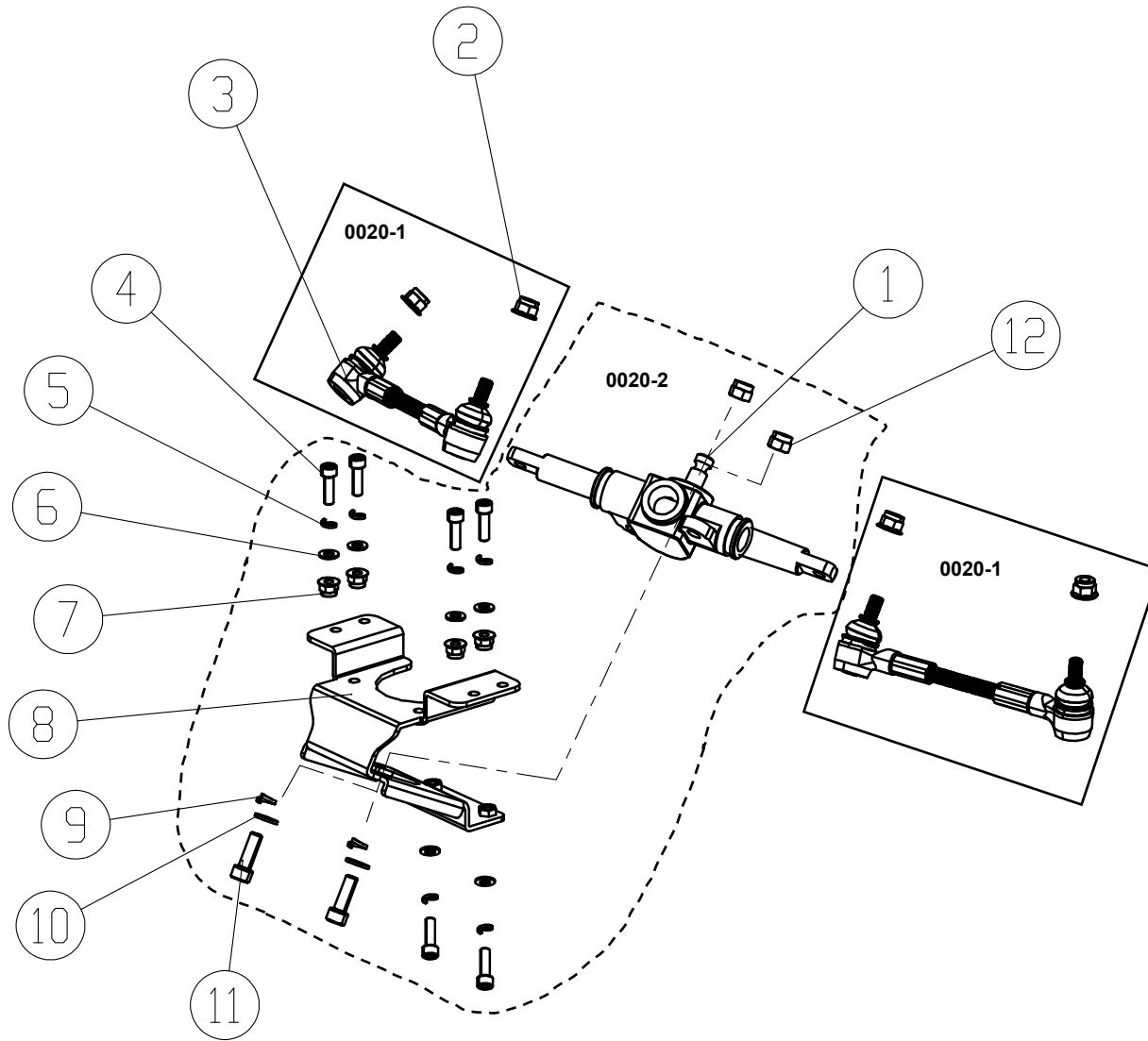


0010



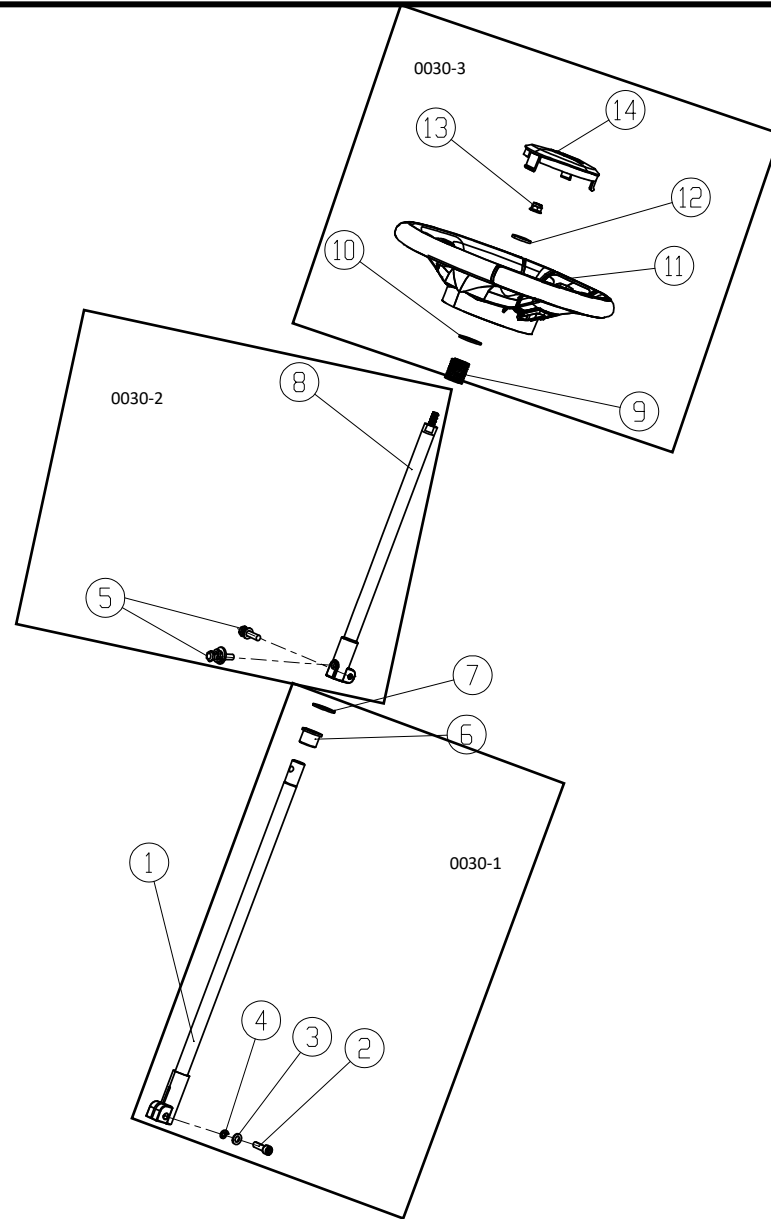
REF NO	PART NO	QTY	DESCRIPTION	REF NO	PART NO	QTY	DESCRIPTION
0010	1004225000	1	Wheels And Hub Caps	1	1004212000	2	Front Wheel Assembly
0010-1	2345ZB0001	2	Front Wheel Assembly	2	2601424000	2	Wavy Washer
0010-2	2345ZB0002	2	Rear Wheel Assembly	3	1254653000	4	Washer (Od28 X Id20.5 X 2T)
0010-3	1056030000	2	Front Tire	4	1254628000	2	Front Wheel Bearing Cover
0010-4	1056031000	2	Rear Tire	5	2600604000	2	Cotter Pin 4x40
0010-5	2345ZB0036	2	Wheel Attachment Set	6	1056086000	2	Dust Cover, Wheel
				6	1056086000	2	Dust Cover, Wheel
				7	1004213000	2	Rear Wheel Assembly
				8	1254662000	8	Acorn Nut (M14)
				9	1056030000	2	Front Tire
				10	1056031000	2	Rear Tire

0020



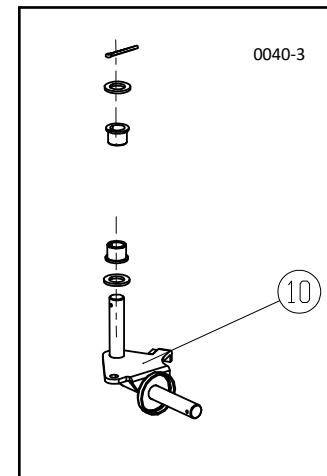
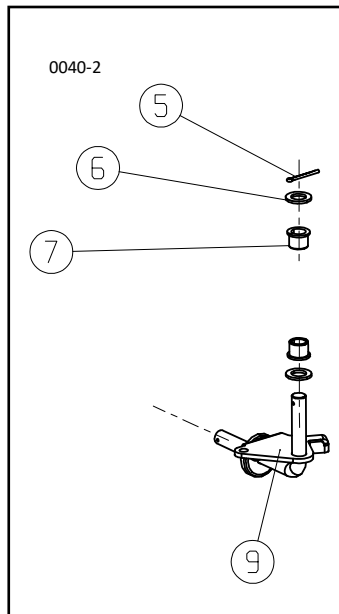
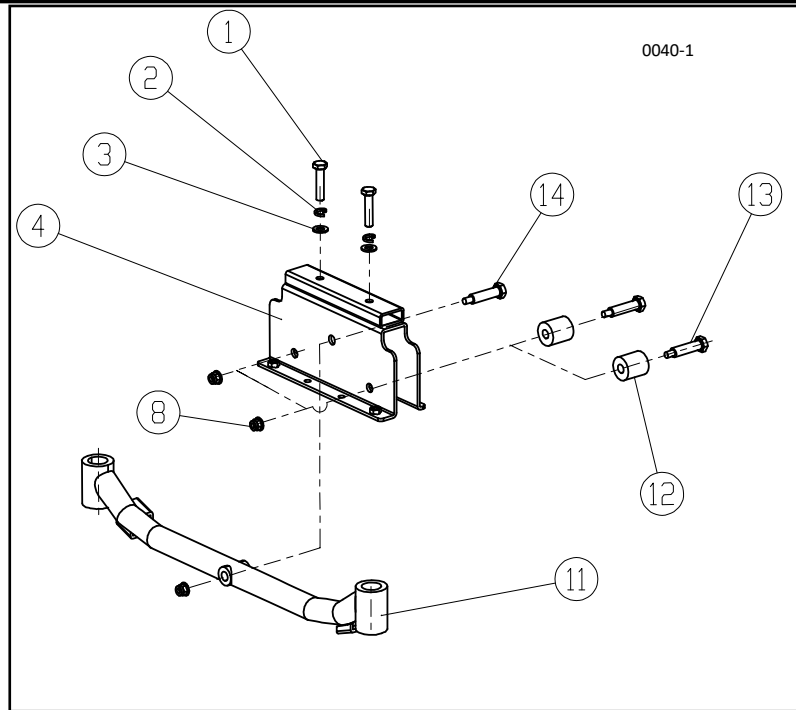
REF NO	PART NO	QTY	DESCRIPTION	REF NO	PART NO	QTY	DESCRIPTION
0020	1004226000	1	Steering Rack Assembly	2	2601423000	4	Nut M10X1.25
0020-1	2345ZB0003	2	Universal Connecting Rod	3	1254632000	2	Universal Connecting Rod
0020-2	2345ZB0004	1	Steering Gearbox Assembly	1	1004214000	1	Steering Gear Assembly
				4	2600232000	6	Hexagon Socket Cap Screwm8X25
				5	2600405000	6	Single Coil Spring Lock Washer,Normal Type
				6	2600427000	6	Washer Ø8
				7	2600173000	4	Non Metallic Hexagon Flange Lock Nut M8
				8	1254633000	1	Steering Gear Bracket
				9	2601418000	2	Spring Washer 10
				10	2600428000	2	Plain Washer Grade A 10
				11	2600245000	2	Screw
				12	2600142000	2	Nut

0030



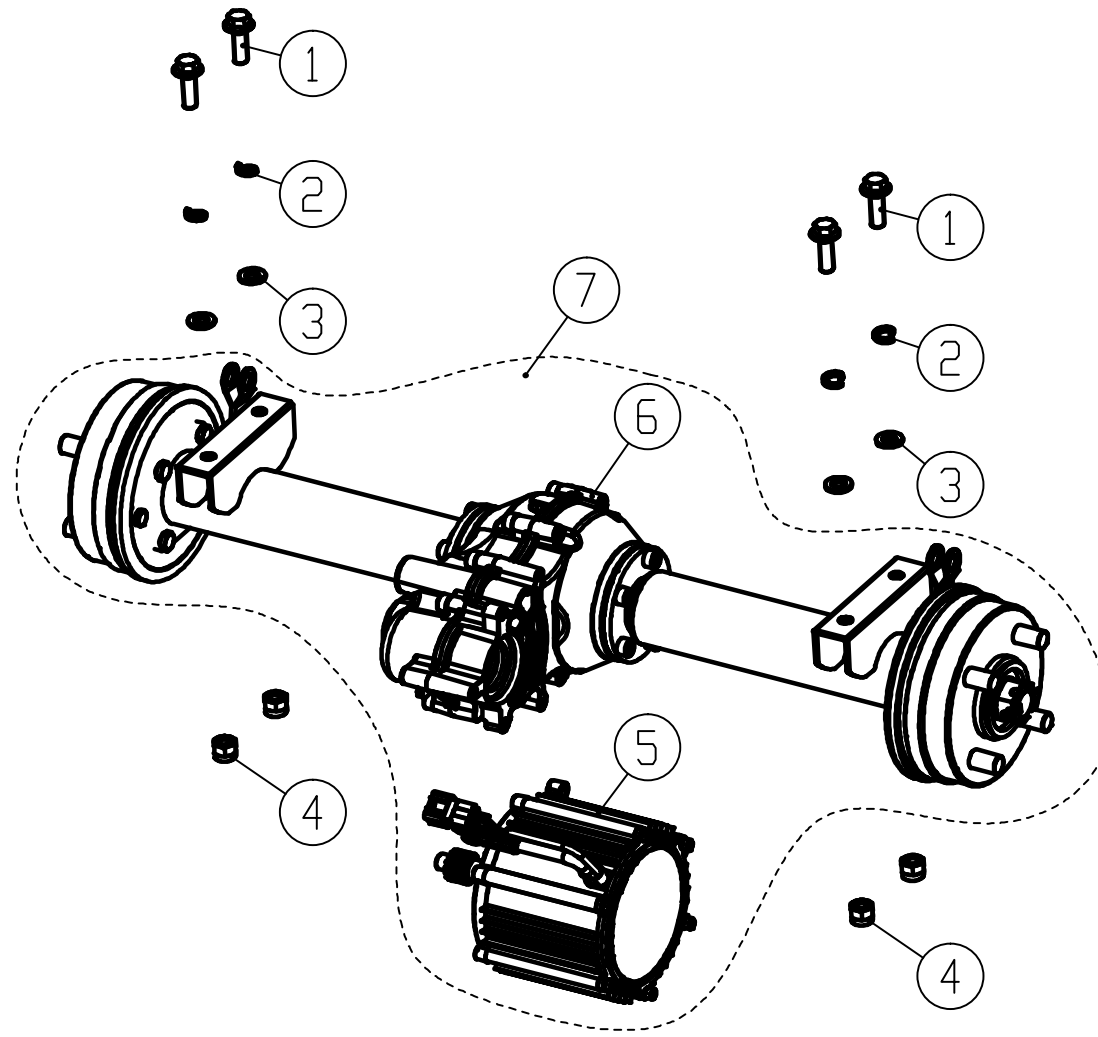
REF NO	PART NO	QTY	DESCRIPTION	REF NO	PART NO	QTY	DESCRIPTION
0030	1004227000	1	Steering Wheel And Shaft Assembly	1	1004216000	1	Lower Steering Shaft Assembly
0030-1	2345ZB0005	1	Lower Steering Shaft Assembly	2	2600233000	1	Screws M8X30
0030-2	2345ZB0006	1	Upper Steering Shaft Assembly	3	2600405000	1	Single Coil Spring Lock Washer,Normal Type
0030-3	2345ZB0007	1	Steering Wheel Assembly	4	2600427000	1	Washer Φ8
				6	1056037000	1	Support Bushing
				7	2600692000	1	Circlip For Shaft Type A 19
				5	2601439000	2	Hexagon Head Bolt And Spring Washer And Flat Washer Assembly M8X25
				8	1004215000	1	Upper Steering Shaft Assembly
				9	1350531000	1	Steering Shaft Spring
				10	1254712000	1	Under The Steering Wheel Washer
				11	1004224000	1	Steering Wheel
				12	1254844000	1	Steering wheel compression washers
				13	2600173000	1	Non Metallic Hexagon Flange Lock Nut M8
				14	1056034000	1	Steering Wheel Cover

0040



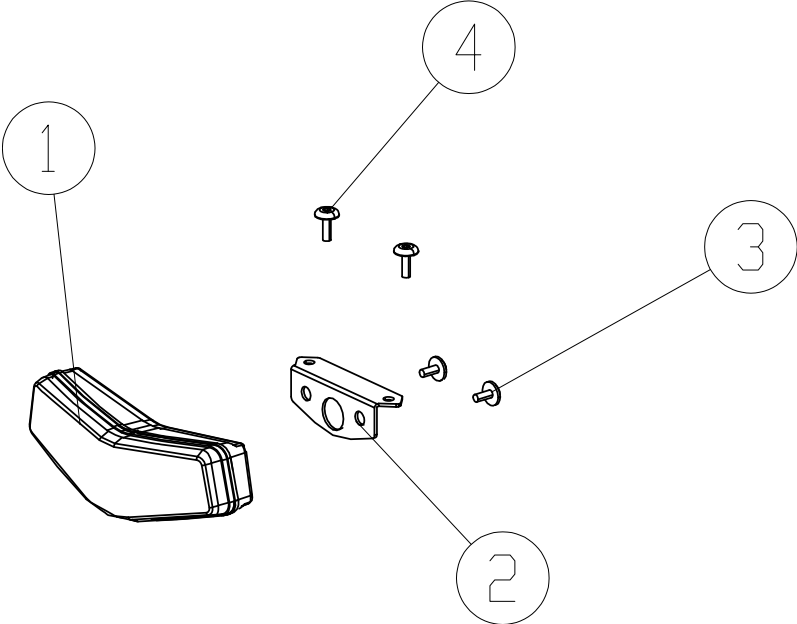
REF NO	PART NO	QTY	DESCRIPTION	REF NO	PART NO	QTY	DESCRIPTION
0040	1004228000	1	Front Axle Assembly	1	2600069000	2	Hexagon Head Bolt M10X45
0040-1	2345ZB0008	1	Front Axle Bracket Assembly	2	2601418000	2	Spring Washer 10
0040-2	2345ZB0009	1	Right Front Axle Assembly	3	2600428000	2	Plain Washer Grade A 10
0040-3	2345ZB0010	1	Left Front Axle Assembly	4	1004217000	1	Front Axle Bracket Assembly
				8	2600173000	3	Non Metallic Hexagon Flange Lock Nut M8
				11	1004220000	1	Front Axle Assembly
				12	1400316000	2	Front Axle Rubber Buffer Ring
				13	1254709000	2	Rubber Limit Bolt
				14	1254655000	1	Front Axle Rotating Shaft
				5	2600604000	2	Cotter Pin 4X40
				6	1254656000	4	Gasket (Od34 X Id20.5 X 3T)
				7	1056037000	4	Support Bushing
				9	1004218000	1	Right Front Axle Assembly
				5	2600604000	2	Cotter Pin 4X40
				6	1254656000	4	Gasket (Od34 X Id20.5 X 3T)
				7	1056037000	4	Support Bushing
				10	1004219000	1	Left Front Axle Assembly

0050

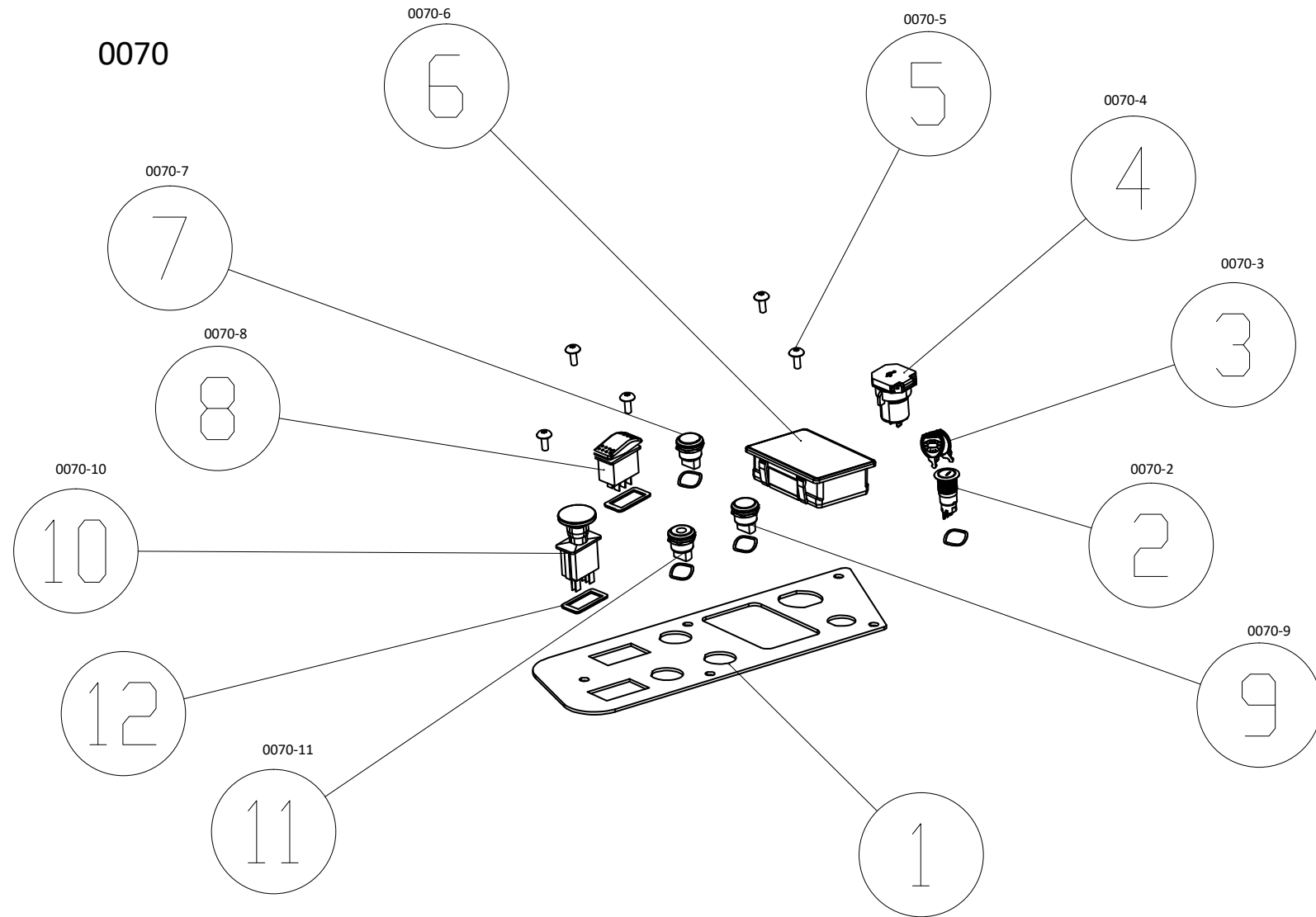


REF NO	PART NO	QTY	DESCRIPTION	REF NO	PART NO	QTY	DESCRIPTION
0050	1004576000	1	Drive Train Assembly	1	2601441000	4	Hexagon flange bolts, heavy series , Grade B M10X30
				2	2601418000	4	Single coil spring lock washers, 10
				3	2600428000	4	Flat washers Grade A 10
				4	2600142000	4	Prevailing torque type hexagon nuts M10
				5	2401890000	1	drive motor
				6	1004578000	1	Rear axle gearbox assembly
				7	1004577000	1	Rear axle gearbox motor assembly

0060

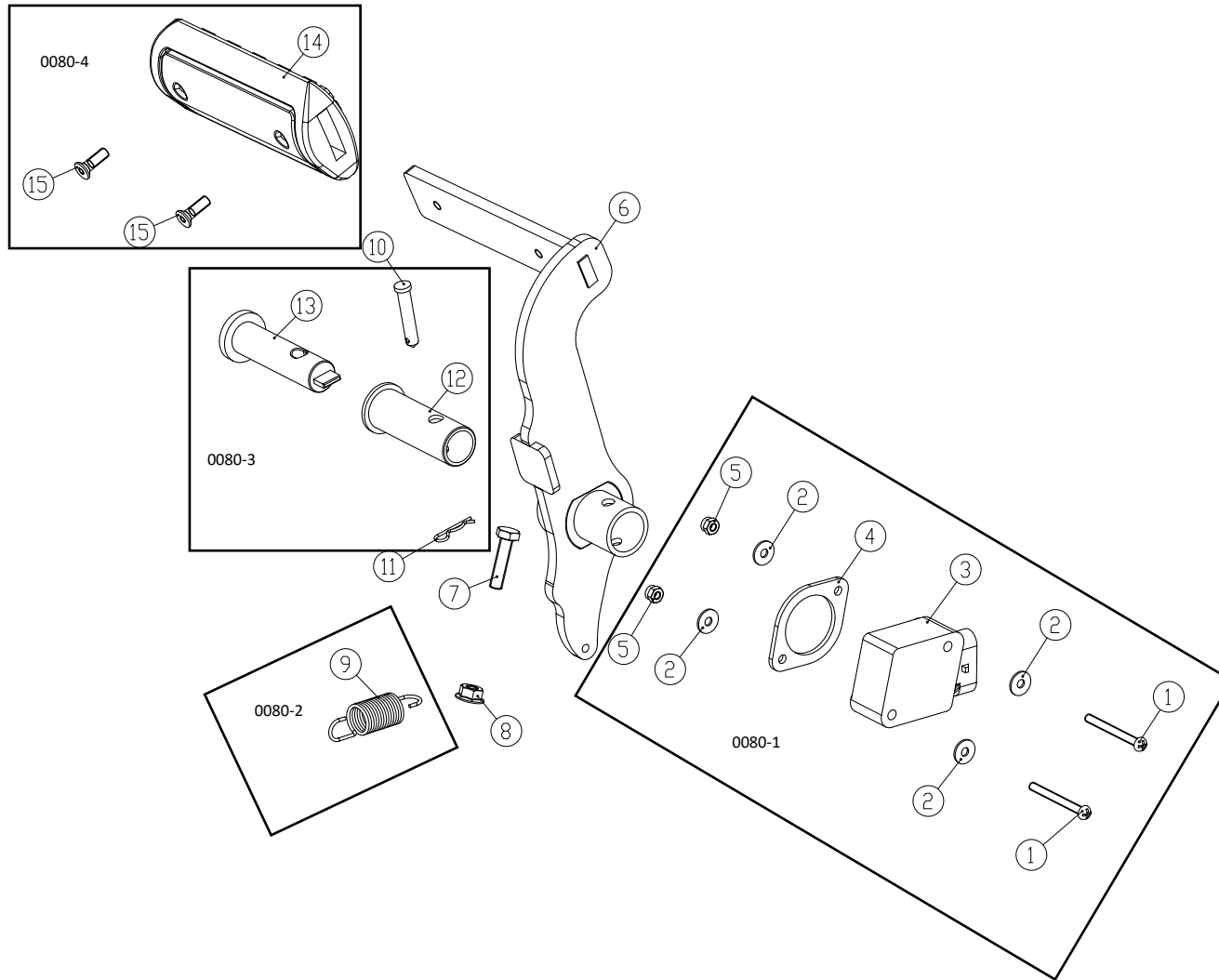


REF NO	PART NO	QTY	DESCRIPTION	REF NO	PART NO	QTY	DESCRIPTION
0060	1004222000	1	Headlight Assembly	1	1004263000	1	Headlamp Assembly
				2	1254650000	1	Headlight Bracket
				3	2800106000	2	Self Tapping Screw And Flat Washer Assembly St4 8X13 F S2 N
				4	1254660000	2	Screw M6X16



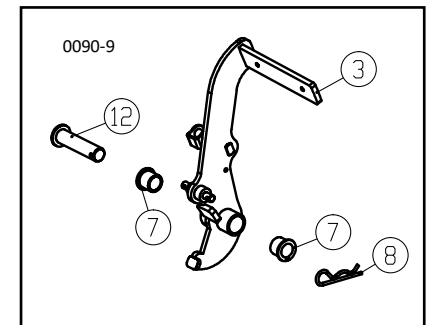
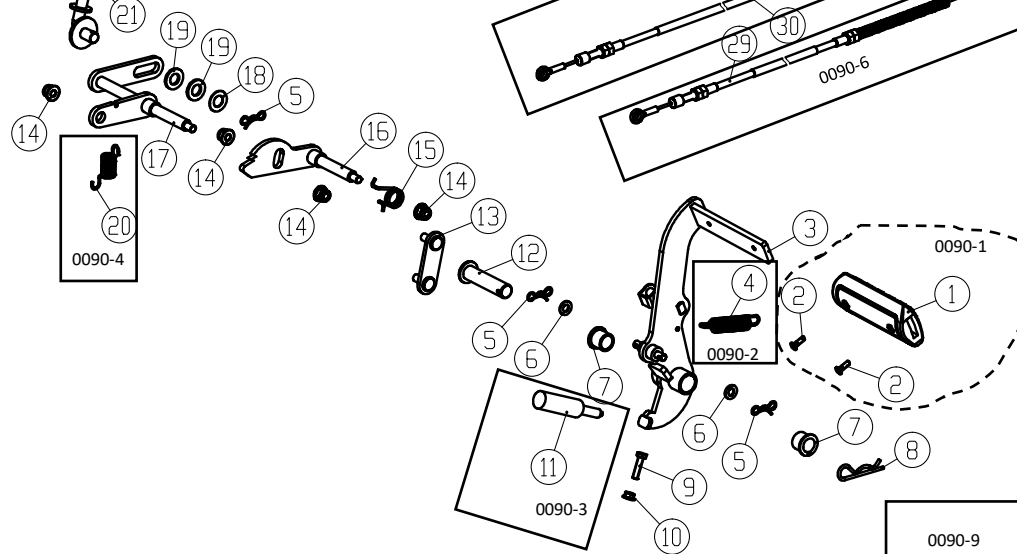
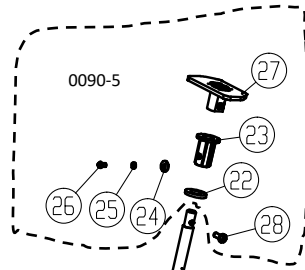
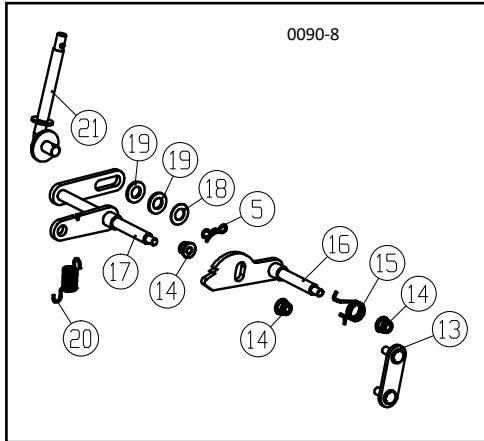
REF NO	PART NO	QTY	DESCRIPTION	REF NO	PART NO	QTY	DESCRIPTION
0070	1004223000	1	Control Panel Assembly	1	1254652000	1	Control Panel
0070-2	2401760000	1	Switch Key Module	2	2401760000	1	Switch Key Module
0070-3	2401767000	4	Start Key	3	2401767000	4	Start Key
0070-4	2401761000	1	USB Module	4	2401889000	1	USB Module
0070-5	1254660000	5	Screw M6X16	5	1254660000	5	Screw M6X16
0070-6	1004261000	1	Display	6	1004261000	1	Display
0070-7	2401763000	1	Cruise Button	7	2401763000	1	Cruise Button
0070-8	2401766000	1	Toggle Switch	8	2401766000	1	Toggle Switch
0070-9	2401762000	1	Light Switch	9	2401762000	1	Light Switch
0070-10	2401765000	1	Power Switch Button (PTO)	10	2401765000	1	Power Switch Button (PTO)
0070-11	2401764000	1	Reverse Mode Button	11	2401764000	1	Reverse Mode Button
				12	1400352000	2	Power on/off button gasket

0080



REF NO	PART NO	QTY	DESCRIPTION	REF NO	PART NO	QTY	DESCRIPTION
0080	1004230000	1	Accelerator Assembly	1	2600302000	2	Bolt M4X40
0080-1	2345ZB0011	1	Accelerator Sensor Kit	2	2600413000	4	Washer
0080-2	1350523000	1	Accelerator Spring	3	2401882000	1	Accelerator Sensor
0080-3	2345ZB0012	1	Accelerator Shaft Kit	4	1254577000	1	Sensor Gasket
0080-4	2345ZB0013	1	Pedal Cover Kit	5	2600138000	2	Type 1 Non-Metallic Hexagon Lock Nut M4
				6	1004231000	1	Accelerator Pedal Assembly
				7	2601312000	1	Bolt M6X25
				8	2600167000	1	Nut,Flange M6
				9	1350523000	1	Accelerator Spring
				10	1254576000	1	Accelerator Shaft
				11	1254695000	1	Type B Pin 1.2
				12	1056002000	1	Shaft Bushing
				13	1254575000	1	Throttle Shaft
				14	1056003000	1	Brake Accelerator Rubber Pedal
				15	2601432000	2	Screw M5X16

0090



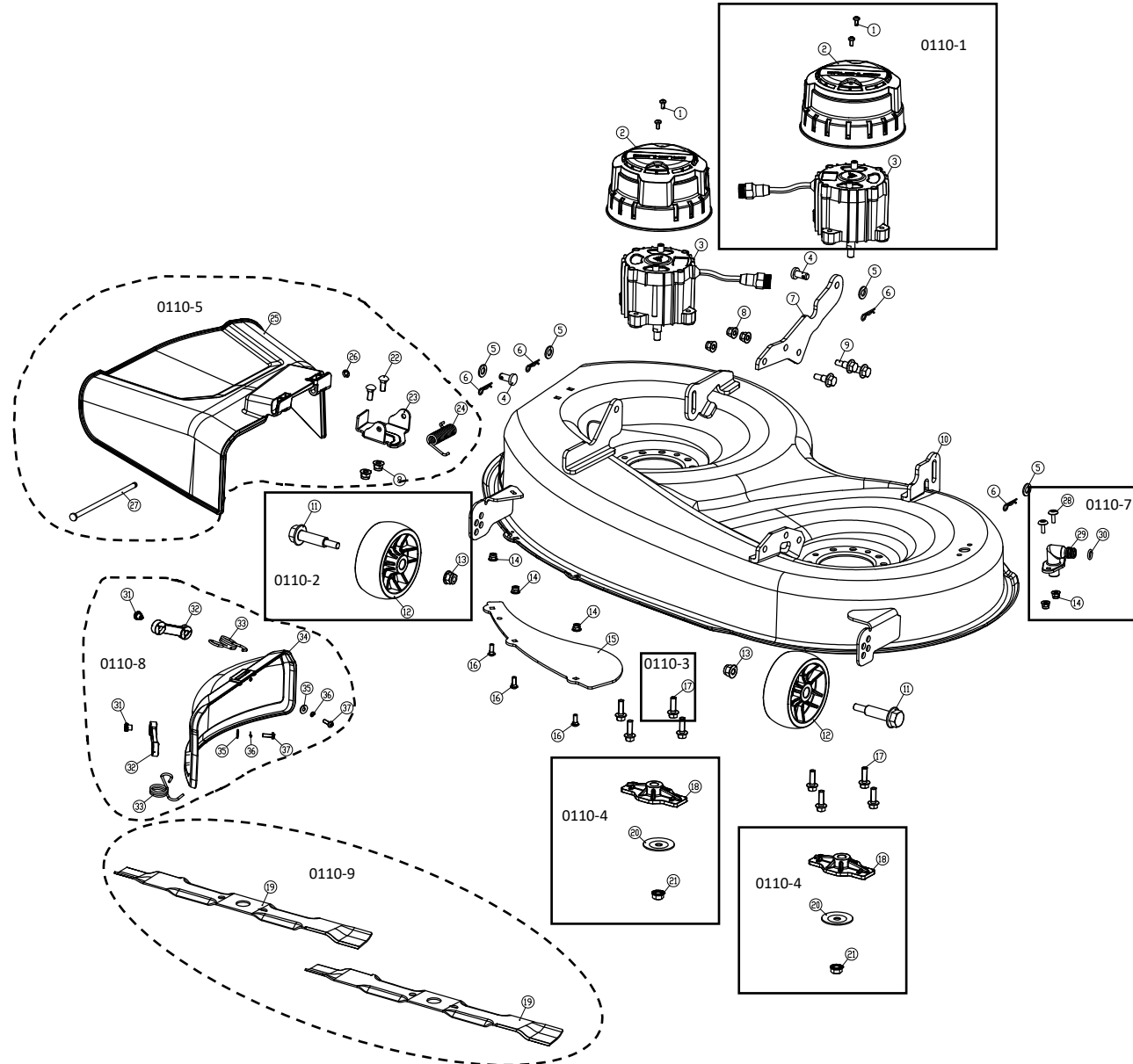
REF NO	PART NO	QTY	DESCRIPTION	REF NO	PART NO	QTY	DESCRIPTION
90	1004235000	1	Parking Brake Assembly	1	1056003000	1	rubber pedal
0090-1	2345ZB0013	1	Pedal Cover Kit	2	2601432000	2	Hexagon socket countersunk head screws M5X16
0090-2	1350525000	1	Brake Spring	3	1004236000	1	Brake pedal assembly
0090-3	2000100000	1	Brake Sensor	4	1350525000	1	Brake pedal return spring
0090-4	1350527000	1	Park Return Tension Spring	5	2800114000	5	8-way pin 1.8
0090-5	2345ZB0030	1	Parking Brake Pedal Kit	6	2600427000	2	Flat washers Grade A 8
0090-6	1004265000	1	Brake Cable (Short)	7	1056004000	2	Brake shaft bushings
0090-7	1004266000	1	Brake Cable (Long)	8	1254694000	1	B-pin 3
0090-8	2345ZB0034	1	Park Drive Lever Assembly	9	2601312000	1	Hexagon head bolts Full thread M6X25
0090-9	2345ZB0035	1	Accelerator Pedal Assembly	10	2600167000	1	Hexagon nuts with flange, M6
				11	2000100000	1	Brake sensor
				12	1254588000	1	Brake shaft
				13	1004238000	1	Parking linkage assembly
				14	2600173000	4	Prevailing torque type hexagon nuts with flange M8
				15	1350526000	1	Parking torsion spring
				16	1004237000	1	Parking gear arm assembly
				17	1004239000	1	Park drive arm assembly
				18	1254680000	1	Adjustment spacer
				19	2600429000	3	Flat washers Class A 12
				20	1350527000	2	Parking pedal return spring
				21	1004240000	1	Park drive rod assembly
				22	1400326000	1	Parking damping pad
				23	1056005000	1	Park drive rod bush
				24	2600413000	1	Large washers Class A, 4
				25	2600447000	1	Single coil spring lock washers, light type, 4
				26	2601299000	1	Cross recessed pan head screws M4X7
				27	1004241000	1	Parking pedal assembly
				28	2601238000	1	Hexagon socket flower pan head screws M5X12
				29	1004265000	1	Brake pull cable (short)
				30	1004266000	1	Brake pull cable (long)

EXPLODED DRAWING DESCRIPTION

YF48vRX-RER38

REF NO	PART NO	QTY	DESCRIPTION	REF NO	PART NO	QTY	DESCRIPTION
0100	1004247000	1	Deck Lifting Assembly	1	1400315000	1	Gear Knob
0100-1	2345ZB0014	1	Height-Adjust Lever Kit	2	1254619000	1	Height-Adjust Lever
0100-2	2345ZB0015	10	Type B Pin 1.8	3	2800114000	10	8-Pin 1.8
0100-3	2345ZB0016	2	Deck Level Adjuster Kit	4	1350529000	1	Shift Torsion Spring
0100-4	1350528000	2	Connecting Rod Spring	5	2600429000	1	Flat Washer Class A 12
0100-5	2345ZB0037	1	Rear Flip Arm Kit	6	1004256000	1	Shift Lever Support Seat Assembly
				7	1056037000	2	Support Bushing
				8	1254653000	1	Gasket (Od28 X Id20.5 X 2T)
				9	2601394000	1	Split Ring 15
				10	1254620000	3	Gear Block Spacer
				11	2600174000	3	Non-Metallic Insert Hex Flange Face Lock Nuts M10
				13	2601395000	3	Hexagon Flange Bolts Enlarged Series B Grade M10X85
				12	1004258000	1	Deck Height Plate
				14	1254615000	1	Shift Lever
				15	2600428000	10	Plain Washer Grade A 10
				16	2600155000	8	Type 1 Hex Nut M10
				17	1254614000	2	Boom Pin
				18	1004255000	2	Boom Assembly
				19	1004251000	1	Rear Flip Arm Assembly
				20	1254600000	8	Hanging Bolt
				21	1056008000	4	Upper Shaft Support Bushing
				22	1056009000	4	Lower Shaft Support Bushing
				23	1254931000	4	Shaft Support
				24	2600173000	8	Non Metallic Hexagon Flange Lock Nut M8
				25	1004252000	1	Height Shift Linkage Left
				26	1350528000	2	Connecting Rod Spring
				27	2600713000	2	Split Ring 12
				28	2601392000	2	Flat Washer Class A 16
				29	1254609000	2	Shaft Spacer
				30	1004249000	1	Front Flip Arm Assembly Left
				31	1004253000	1	Height Shift Linkage Right
				32	1004250000	1	Front Flip Arm Assembly Right

0110

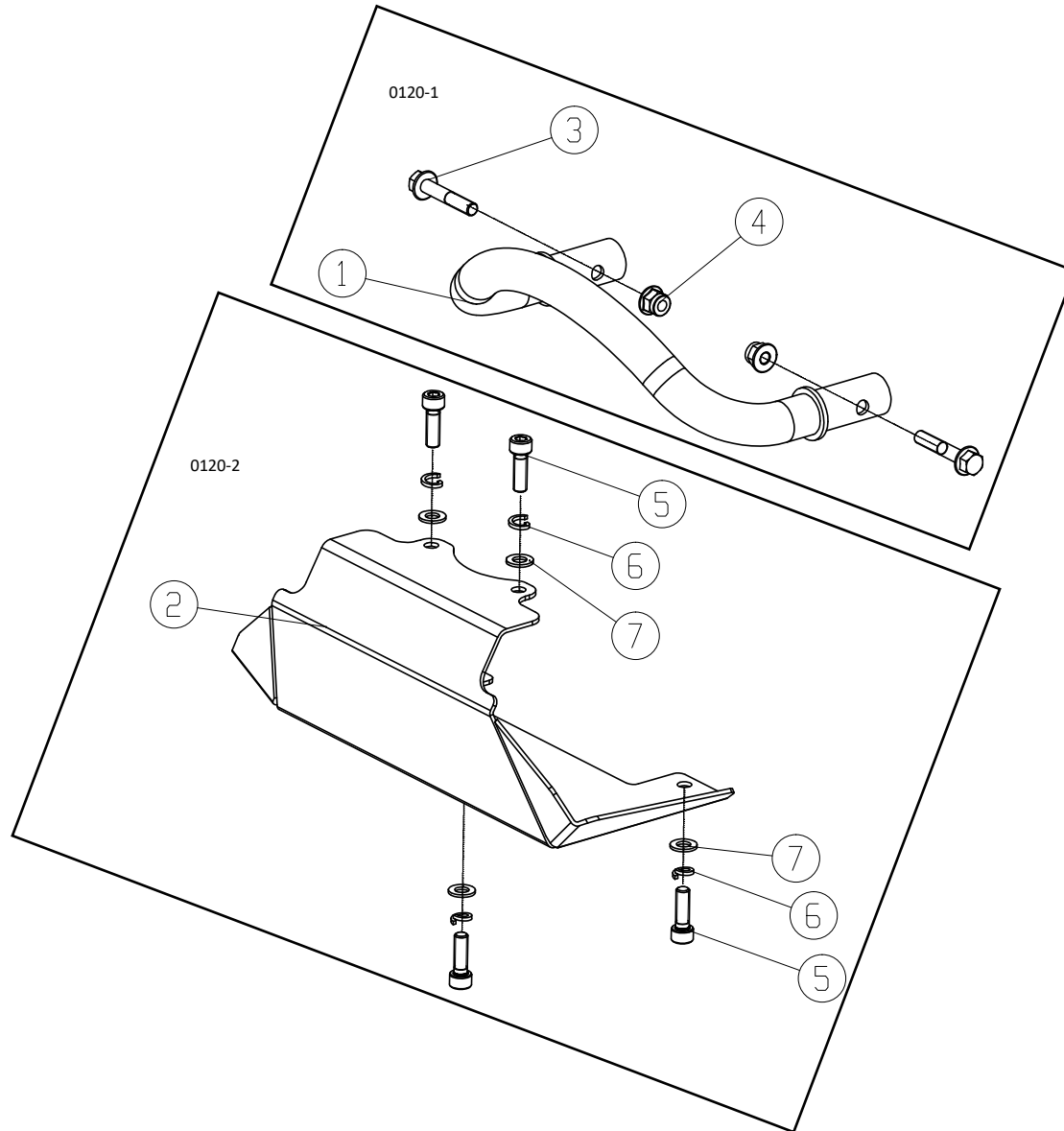


EXPLODED DRAWING DESCRIPTION

YF48vRX-RER38

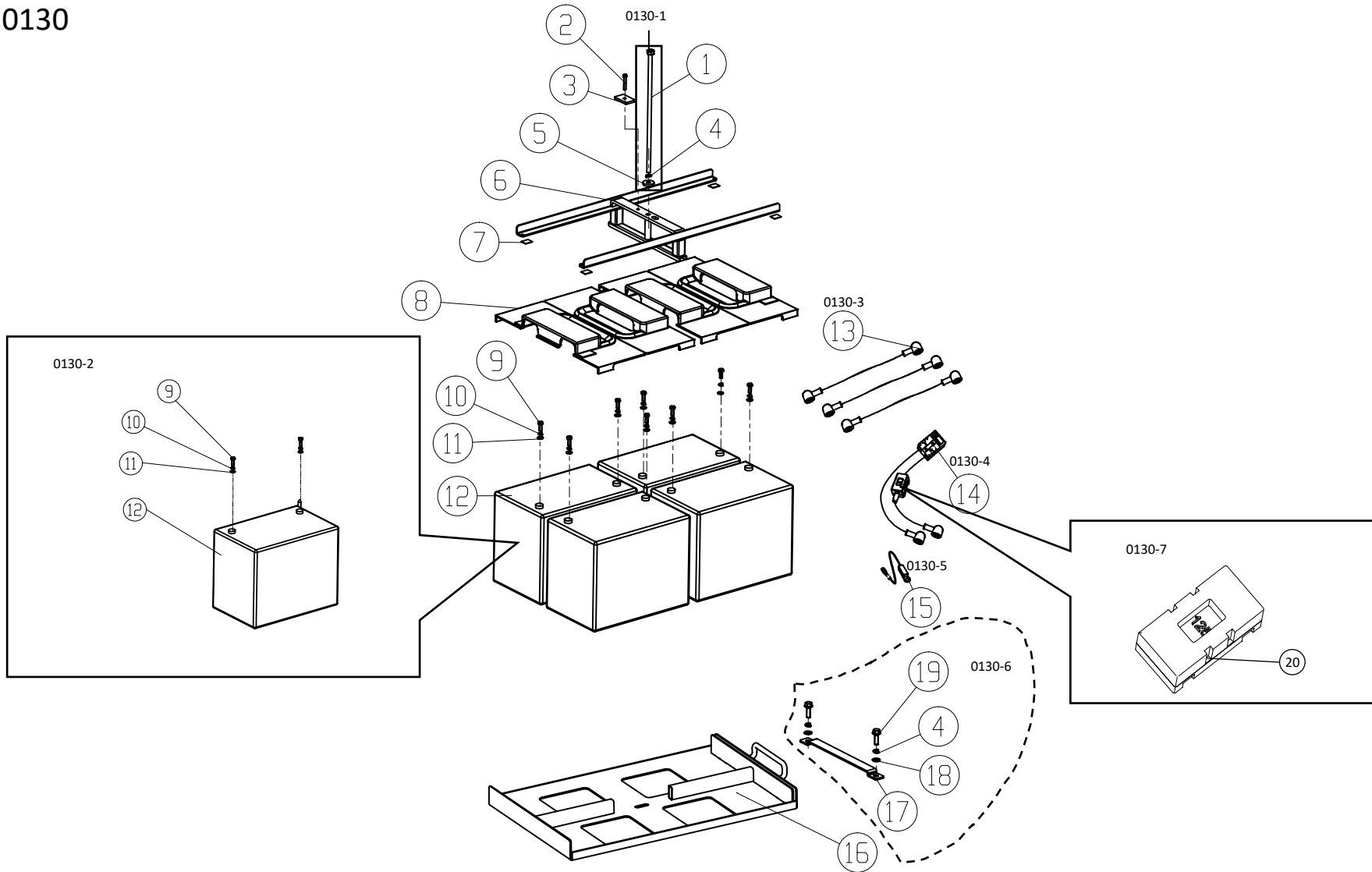
REF NO	PART NO	QTY	DESCRIPTION	REF NO	PART NO	QTY	DESCRIPTION
0110	1004267000	1	Deck Assembly	1	2601430000	4	Hexagon Socket Head Pan Head Screw M5X10
0110-1	2401768000	2	BL10240-48C01 Motor Kit	2	1056048000	2	Motor Rear Cover
0110-2	2345ZB0017	2	Cutting Deck Wheel Kit	3	2401768000	2	BI10240-48C01 Motor Assembly
0110-3	2600113000	8	Hexagon Flange Bolt Enlarged Series B M8X25	4	1254616000	2	Hitch Pin
0110-4	2345ZB0018	2	Blade Adaptor Kit	5	2600428000	4	Plain Washer Grade A 10
0110-5	2345ZB0019	1	Side Discharge Chute Kit	6	1254692000	4	Type B Pin 1.8
0110-7	2345ZB0020	1	Deck Wash Port Kit	7	1254668000	1	Upper Left Front Of Cutter Head Boom
0110-8	2345ZB0021	1	Side Discharge Door Kit	8	2600173000	3	Non Metallic Hexagon Flange Lock Nut M8
0110-9	1254351000	1	Self-Shredding Blade (490Mmx2.5Mm)	9	1254681000	3	Cutter Boom Bolts
				10	1004268000	1	38 Inch Cutter Head Assembly
				11	1254675000	2	Axle Bolt
				12	1056044000	2	Wheel
				13	2600174000	2	Non-Metallic Insert Hex Flange Face Lock Nuts M10
				14	2600172000	3	Self Lock Nut M6
				15	1254674000	1	Cutter Base
				16	2600002000	3	Bolt M6*16
				17	2600113000	8	Hexagon Flange Bolt Enlarged Series B M8X25
				18	1150264000	2	Blade Adapter
				19	1254351000	2	Self-Shredding Blade (490Mmx2.5Mm)
				20	1250061000	2	Blade Pressing Plate
				21	2601425000	2	Hexagon Flange Face Toothed Nut M10X1.25
				8	2600173000	2	Non Metallic Hexagon Flange Lock Nut M8
				22	2601416000	2	Half Round Head Square Neck Bolt M8X20
				23	1254676000	1	Side Discharge Bracket
				24	1350532000	1	Side Grass Torsion Spring
				26	2600709000	1	E Rings 6
				27	1254677000	1	Side Discharge Shaft
				25	1056045000	1	Side Discharge Chute
				14	2600172000	2	Self Lock Nut M6
				28	1254660000	2	Hexagon Socket Head Pan Head Screw M6X16
				29	1056063000	1	Wash Fitting
				30	2700137000	1	O-Ring 11X2.65
				31	1254678000	2	Rubber Arm Nut Seat
				32	1400319000	2	Side Discharge Cover Rubber Arm
				33	1350533000	2	Side Discharge Cover Snap Hook
				34	1056046000	1	Side Discharge Cover
				35	2600414000	2	Large Washer Class A 5
				36	2600448000	2	Light Spring Washers 5
				37	2601123000	2	Hexagon Socket Head Pan Head Screw M5X15

0120



REF NO	PART NO	QTY	DESCRIPTION	REF NO	PART NO	QTY	DESCRIPTION
0120	1004352000	1	Front Bumper And Skid Assembly	1	1004206000	1	Front Bumper Assembly
0120-1	2345ZB0022	1	Front Bumper Assembly	3	2600117000	2	Hexagon Flange Bolts Enlarged Series B Grade M8X45
0120-2	2345ZB0023	1	Front Bumper Cover	4	2600173000	2	Non Metallic Hexagon Flange Lock Nut M8
				2	1254651000	1	Front Bumper Cover
				5	2600232000	4	Hexagon Socket Cap Screwm8X25
				6	2600405000	4	Single Coil Spring Lock Washer,Normal Type
				7	2600427000	4	Washer Φ 8

0130

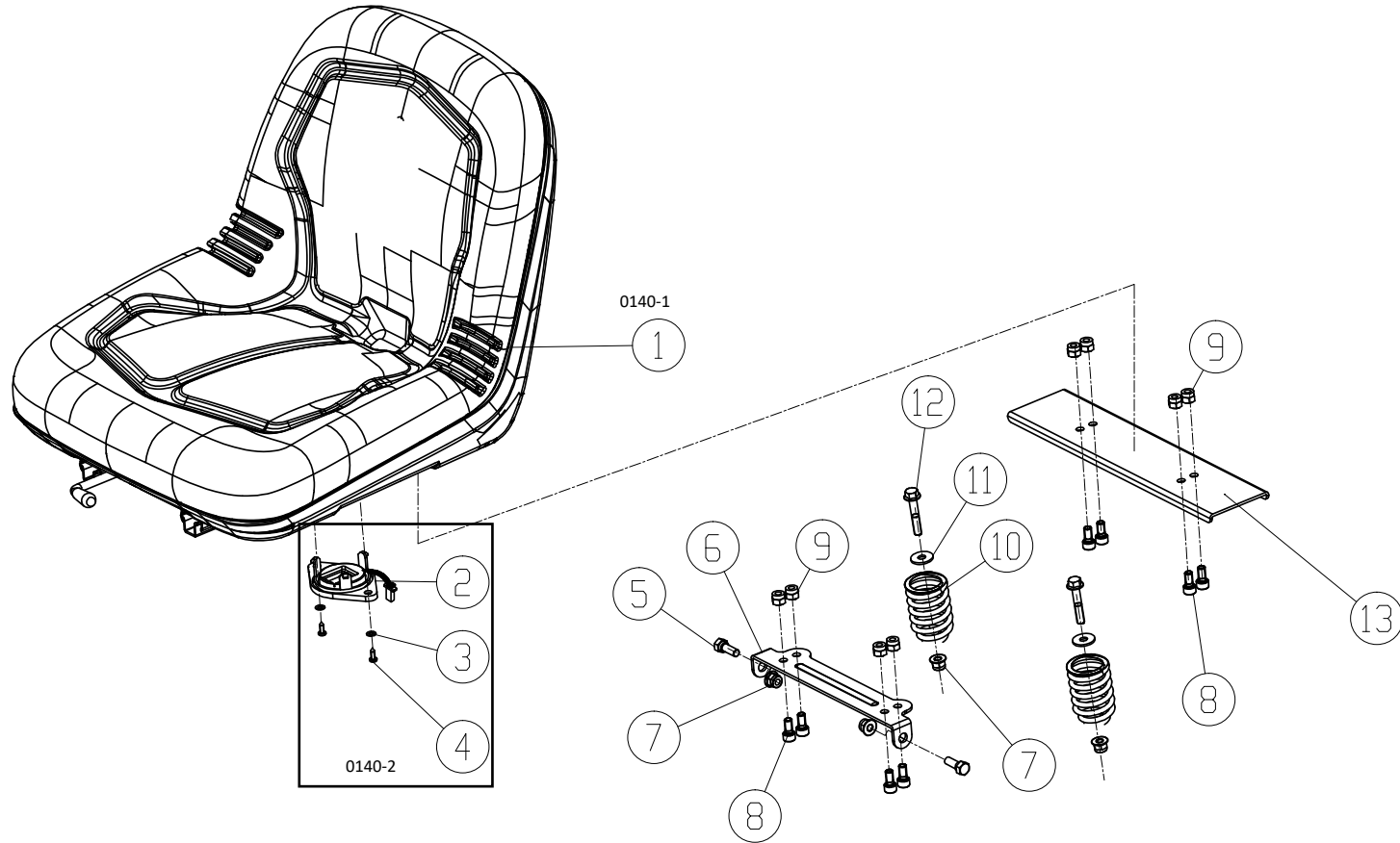


EXPLODED DRAWING DESCRIPTION

YF48vRX-RER38

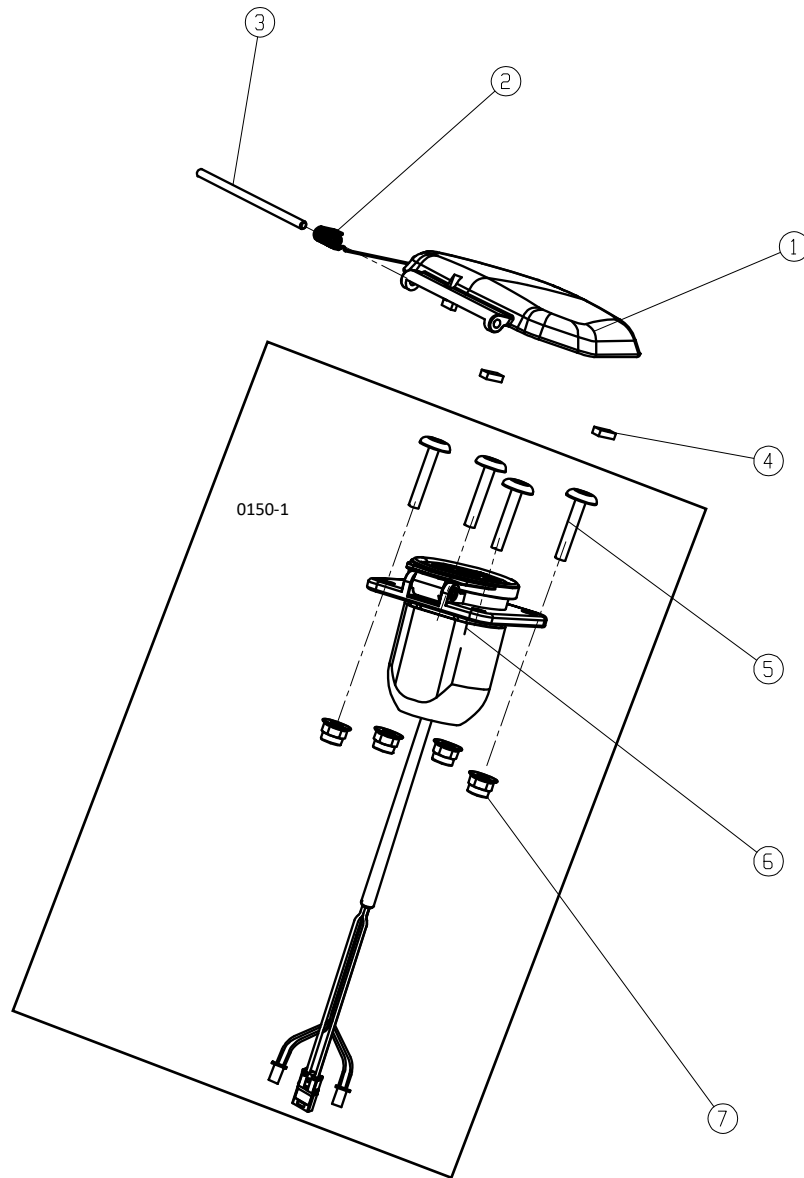
REF NO	PART NO	QTY	DESCRIPTION	REF NO	PART NO	QTY	DESCRIPTION
0130	1004210000	1	BATTERY AND BATTERY TRAY ASSEMBLY	1	1254568000	1	Compression Bolt
0130-1	2345ZB0032	1	Compression Bolt Kit	2	2601217000	1	Hexagon Socket Head Pan Head Screw M5X40
0130-2	2345ZB0024	1	LPC12-75 lead acid battery	3	1254567000	1	Cable Fixer
0130-3	2401885000	1	Battery Cable	4	2600405000	1	Single Coil Spring Lock Washer,Normal Type
0130-4	2401886000	1	Battery Power Cord (include 125A fuse)	5	1254569000	1	Compression Washer
0130-5	2401769000	1	NTC Harness	6	1004207000	1	Battery Clamping Bracket Assembly
0130-6	2345ZB0025	1	Bracket Assembly	7	1410336000	4	Cushion Blocking 1
0130-7	2401861000	1	125A Fuse	8	1056001000	4	Battery Cable Cover
				9	2600039000	8	Hexagon Head Bolts Full Thread Grade C M6X16
				10	2600404000	8	Standard Spring Washer 6
				11	2600426000	8	Washer Φ6
				12	2401753000	4	Lpc12-75 Lead Acid Battery
				13	2401885000	3	Battery Cable
				14	2401886000	1	Battery Power Cord (include 125A fuse)
				15	2401769000	1	NTC Harness
				16	1004549000	1	Battery Tray Assembly
				17	1254570000	1	Battery Bay Pressure Plate
				18	2600427000	2	Washer Φ8
				19	2600113000	2	Hexagon Flange Bolt Enlarged Series B M8X25
				20	2401861000	1	125A Fuse

0140



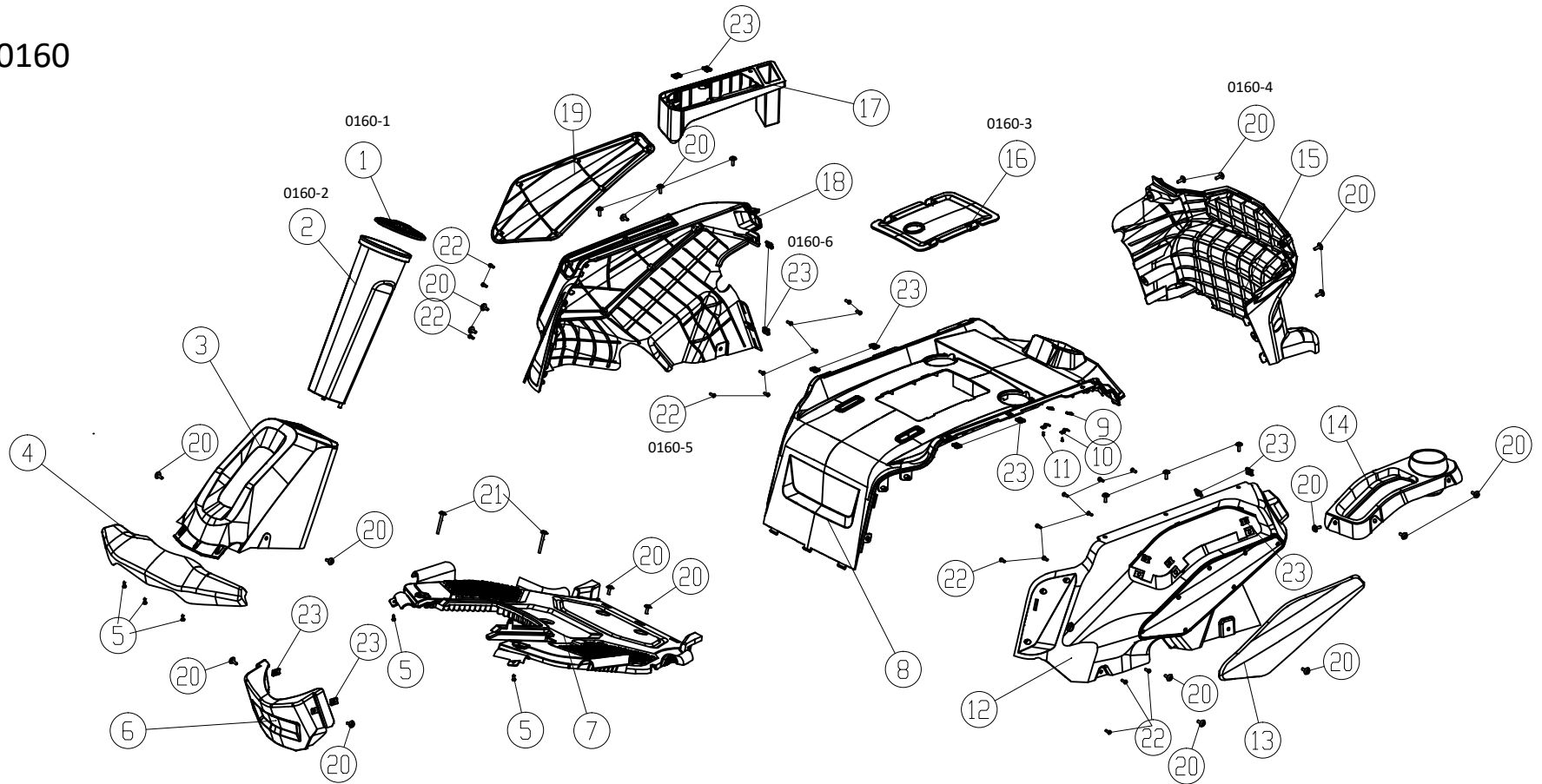
REF NO	PART NO	QTY	DESCRIPTION	REF NO	PART NO	QTY	DESCRIPTION
0140	1004232000	1	Seat And Seat Springs	1	1004233000	1	Seat Assembly
0140-1	1004233000	1	Seat Assembly	2	1004234000	1	Seat Switch Assembly
0140-2	2345ZB0026	1	Seat Switch Assembly	3	2600413000	2	Washer
				4	2601350000	2	Cross Recessed Pan Head Tapping Screw St4.2X13 (Type C)
				8	2600230000	4	Hexagon Socket Head Cap Screws M8X16
				9	2600141000	4	Type 1 Non-Metallic Hexagon Lock Nut M8
				13	1254578000	1	Seat Back Pan
				5	1254580000	2	Seat Mounting Bolts
				6	1254579000	1	Seat Swivel Arm
				7	2600173000	2	Non Metallic Hexagon Flange Lock Nut M8
				8	2600230000	4	Hexagon Socket Head Cap Screws M8X16
				9	2600141000	4	Type 1 Non-Metallic Hexagon Lock Nut M8
				7	2600173000	2	Non Metallic Hexagon Flange Lock Nut M8
				10	1350524000	2	Seat Spring
				11	2600416000	2	Large washers Grade A 8
				12	2600117000	2	Hexagon Flange Bolts Enlarged Series B Grade M8X45

0150



REF NO	PART NO	QTY	DESCRIPTION	REF NO	PART NO	QTY	DESCRIPTION
0150	1004353000	1	Charger Port Assembly	1	1056025000	1	Charging Cover
0150-1	2345ZB0033	1	Charger Port Base	2	1350530000	1	Spring
				3	1254625000	1	Clevis Pins With Head
				4	2401685000	2	Magnet
				5	1254661000	4	Hexagon Socket Head Pan Head Screw M6X30
				6	1004260000	1	Charger Base
				7	2600172000	4	Self Lock Nut M6

0160

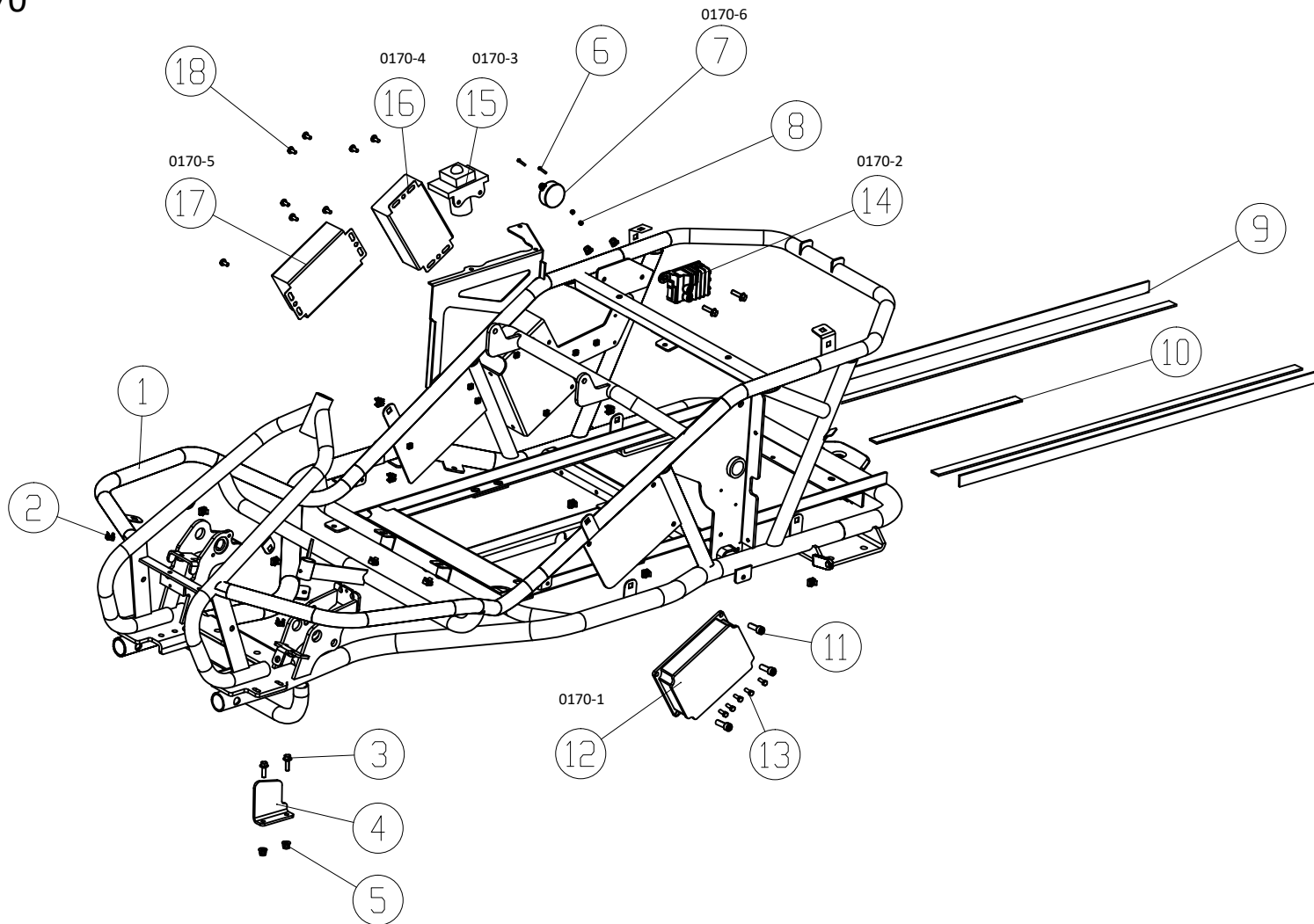


EXPLODED DRAWING DESCRIPTION

YF48vRX-RER38

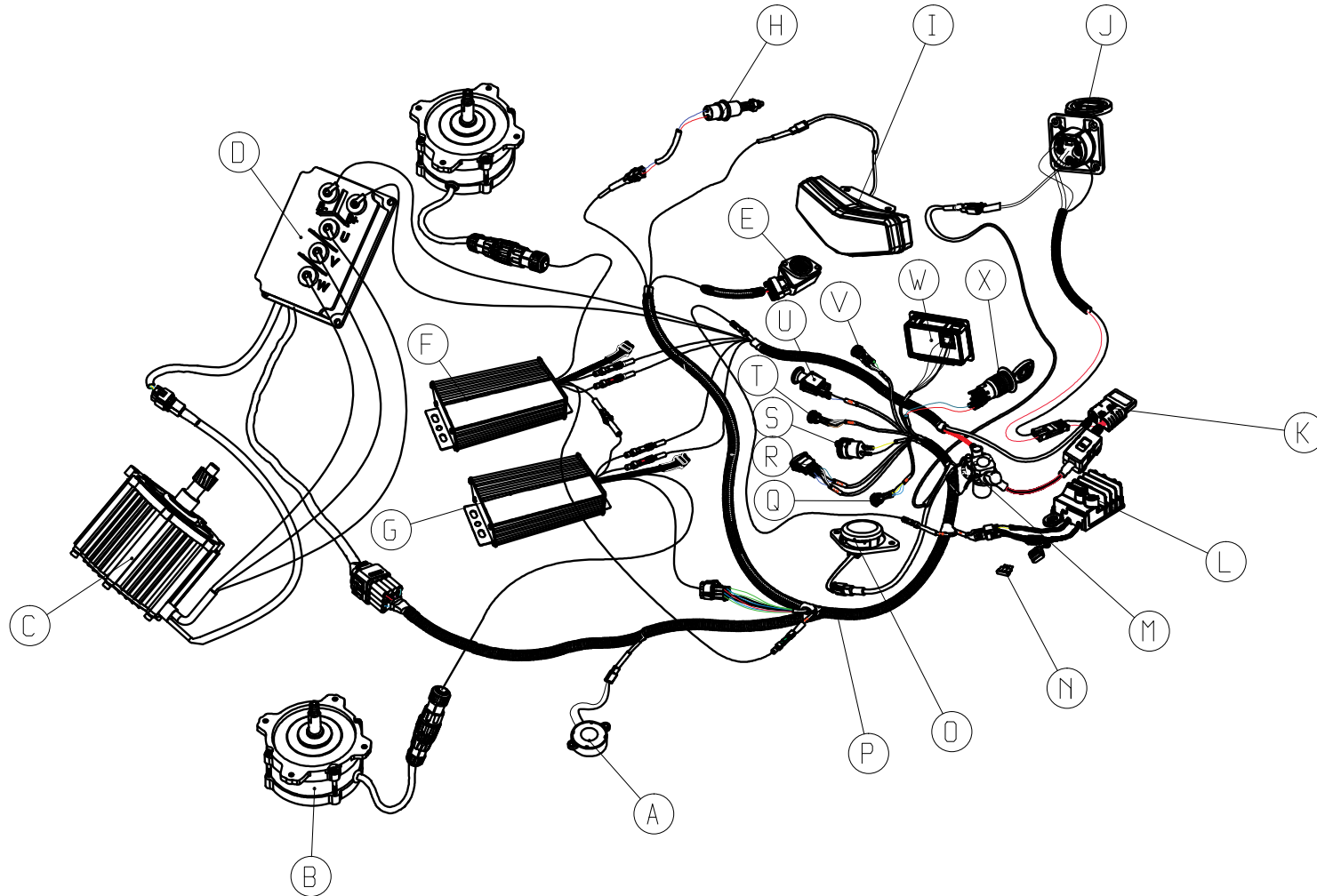
REF NO	PART NO	QTY	DESCRIPTION	REF NO	PART NO	QTY	DESCRIPTION
0160	2345ZB0027	1	Panel Group	1	1056020000	1	Steering Shaft Top Cover
0160-1	1056020000	1	Steering Shaft Top Cover	2	1056018000	1	Steering Shaft Upper Cover
0160-2	1056018000	1	Steering Shaft Upper Cover	3	1056017000	1	Steering Shaft Lower Cover
0160-3	1056028000	1	Seat Cover	4	1056022000	1	Front Cover
0160-4	1254660000	25	Hexagon Socket Head Pan Head Screw M6X16	5	2800106000	5	Self Tapping Screw And Flat Washer Assembly St4 8X13 F S2 N
0160-5	2601438000	20	Hexagon Socket Head Pan Head Tapping Screw St4.2X13 (F Type)	6	1056023000	1	Front Guard
0160-6	1254659000	15	Cleat Nut	7	1056010000	1	Foot Plate
				8	1056026000	1	Base Plate
				9	1251460000	2	Magnet
				10	1254706000	2	Magnet Platen
				11	2601106000	2	Hexagon Socket Head Pan Head Tapping Screw St2.9X8
				12	1056012000	1	Left Wing Guard
				13	1056013000	1	Left Decorative Cover
				14	1056016000	1	Gear Cover
				15	1056027000	1	Back Cover
				16	1056028000	1	Seat Cover
				17	1056024000	1	Control Board Shield
				18	1056015000	1	Right Wing Guard
				19	1056014000	1	Right Decorative Cover
				20	1254660000	25	Hexagon Socket Head Pan Head Screw M6X16
				21	1254705000	2	Hexagon Socket Head Pan Head Screw M6X40
				22	2601438000	20	Hexagon Socket Head Pan Head Tapping Screw St4.2X13 (F Type)
				23	1254659000	15	Cleat Nut

0170

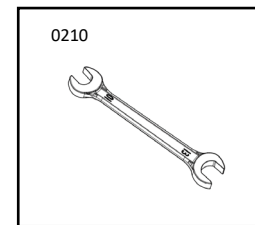
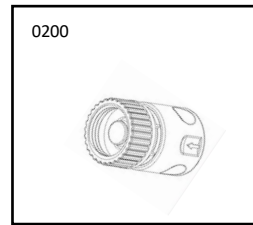
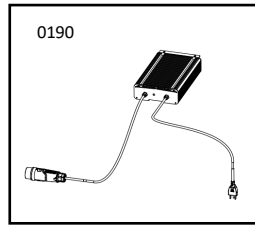


REF NO	PART NO	QTY	DESCRIPTION	REF NO	PART NO	QTY	DESCRIPTION
0170	2345ZB0028	1	Frame And Other Parts	1	1004301000	1	Frame Assembly
0170-1	1004304000	1	Drive Controller	2	2601429000	14	Cage Nut M6
0170-2	1004487000	1	DC Inverter (include 2A fuse)	3	2600103000	4	Hexagon Flange Bolts Enlarged Series B Grade M6X20
0170-3	1004377000	1	Relay	4	1254601000	1	Front Hand Guard
0170-4	1004243000	1	Mowing Motor Controller 1	5	2600172000	4	Self Lock Nut M6
0170-5	1004244000	1	Mowing Motor Controller 2	6	2601102000	2	Hexagon Socket Head Pan Head Screw M3X16
0170-6	1004259000	1	Buzzer	7	1004259000	1	Buzzer
				8	2601426000	2	Type 1 Non-Metallic Insert Hex Lock Nut M3
				9	1056332000	4	Pvc Rail (Long)
				10	1056333000	1	Pvc Rail (Short)
				11	2600213000	4	Non Metallic Hexagon Flange Lock Nut M8
				12	1004433000	1	DC Inverter
				13	2800078000	4	Washer Φ 8
				14	1004487000	1	DC Inverter (include 2A fuse)
				15	1004377000	1	Relay
				16	1004243000	1	Mowing Motor Controller 1
				17	1004244000	1	Mowing Motor Controller 2
				18	2700222000	8	Hexagon Socket Head Socket Head Screw M5X12

0180



REF NO	PART NO	QTY	DESCRIPTION	REF NO	PART NO	QTY	DESCRIPTION
0180	2345ZB0029	1	Bus And Wiring Assembly	A	1004259000	1	Buzzer
0180-1	1004246000	1	DC Inverter(without fuse)	B	2401768000	2	BI10240-48C01 Motor Assembly
0180-2	2401862000	1	2A fuse	C	1004577000	1	Drive Motor
				D	1004433000	1	Drive Controller
				E	2401882000	1	Accelerator Sensor
				F	1004243000	1	Mowing Motor Controller 1
				G	1004244000	1	Mowing Motor Controller 2
				H	2000100000	1	Brake Sensor
				I	1004263000	1	Headlight Assembly
				J	1004260000	1	Changer Base
				K	2401887000	1	Battery Power Cord
				L	1004246000	1	DC Inverter(without fuse)
				M	1004377000	1	Relay assy
				N	2401862000	1	2A Fuse
				O	1004234000	1	Seat Switch Assembly
				P	2401773000	1	Wiring Harness
				Q	2401762000	1	Light Switch
				R	2401766000	1	Toggle Switch
				S	2401889000	1	USB Module
				T	2401763000	1	Cruise Button
				U	2401765000	1	Power Switch Button (PTO)
				V	2401764000	1	Reverse Mode Button
				W	1004261000	1	Display
				X	2401760000	1	Switch Key Module



REF NO	PART NO	QTY	DESCRIPTION
0190	0240286000	1	Charger
0200	0450226000	1	Hose Adaptor
0210	1254717000	1	Wrench 13mm & 10mm