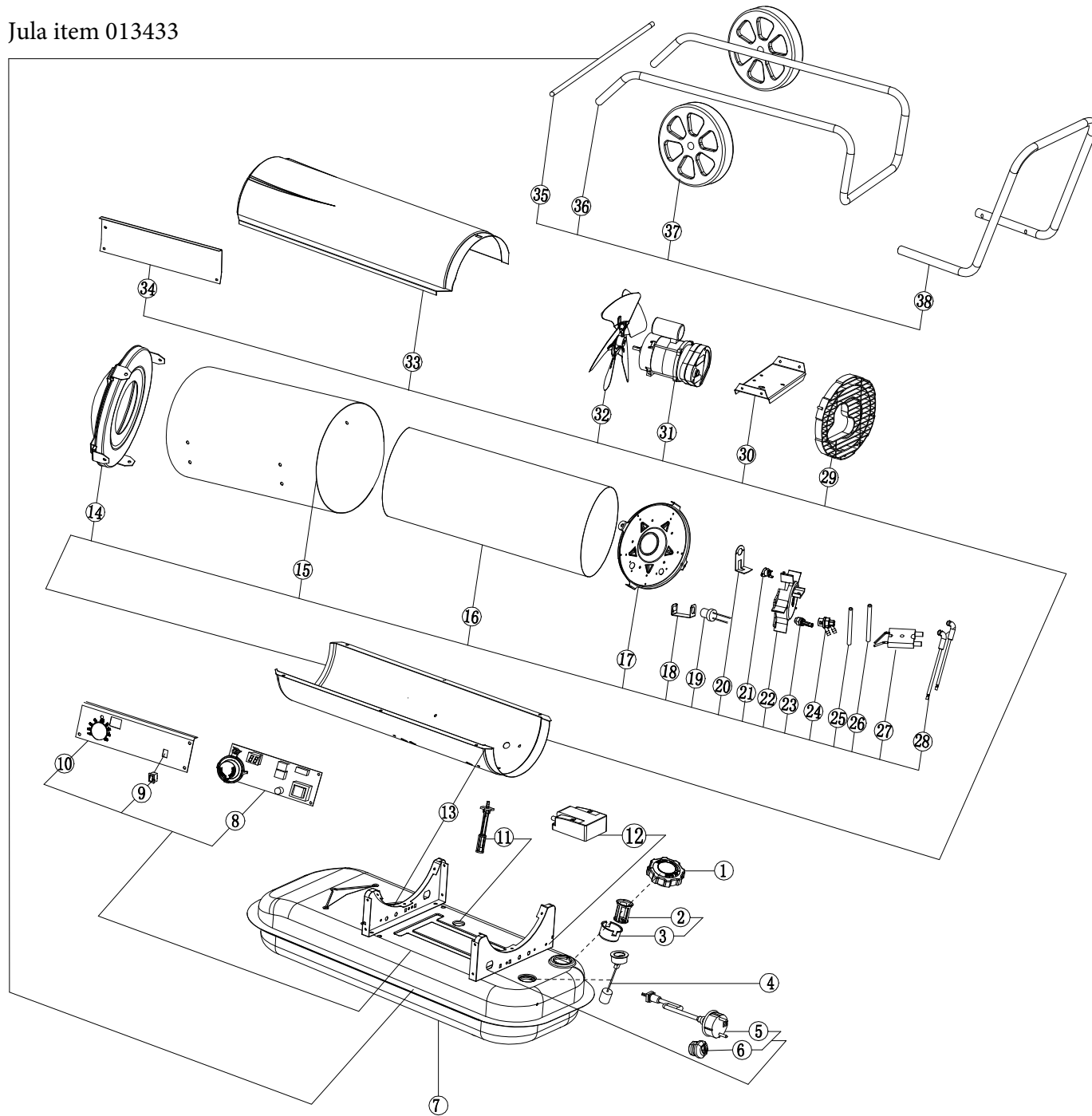
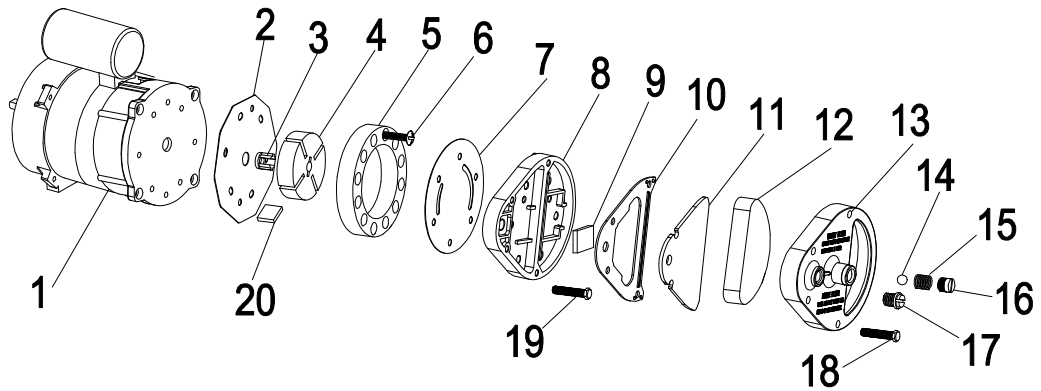


Jula item 013433



Key No.	Description	Key No.	Description
1	Fuel tank cap	20	Re-set thermostat bracket
2	Oil inlet filter	21	Re-set thermostat
3	Oil inlet filter holder	22	Burner head
4	Oil leveler	23	Nozzle assembly
5	Power cord	24	Nozzle Adapter
6	Cable fastener	25	Gas hose
7	Fuel tank	26	Oil hose
8	Power PCB	27	Ignition needle
9	On/off switch	28	High voltage cable
10	Control panel	29	Air inlet grill
11	Fuel filter ass'y	30	Motor support
12	Ignition transformer	31	Motor assembly
13	Bottom cover	32	Fan
14	Front cover ass'y	33	Top cover
15	Combustion chamber shield	34	Side plate
16	Combustion chamber	35	wheel axle
17	Burner support plate	36	Feet pipe
18	Photocell bracket	37	Wheel
19	Photocell ass'y	38	Handle



ITEM	PART#	DESCRIPTION	QTY
1		Motor	1
2		Stainless steel slice A	1
3		Coupling	1
4		Rotor	1
5		Stator Ring	1
6		Screw,	2
7		Stainless steel slice B	1
8		Pump Cover	1
9		Lint Filter	1
10		Rubber seal	1
11		Air outlet filter	1
12		Inlet Filter	1
13		Filter Cover	1
14		Steel ball	1
15		Spring	1
16		Pressure adjustment screw	1
17		Screw plug	1
18		Screw,	4
19		Screw,	6
20		Rotor blade	4