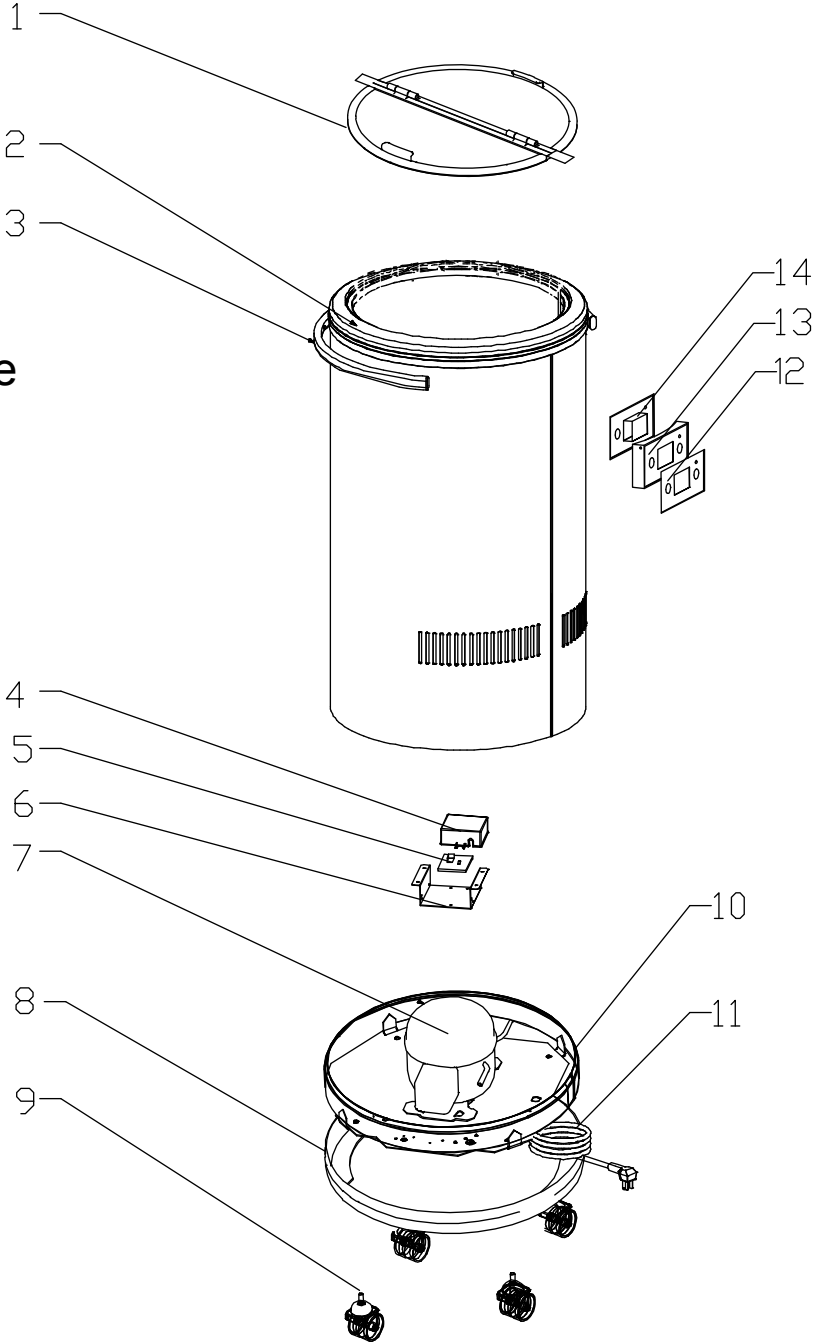


Exploded view schematic of party cooler 000925

- 1.Top lid
- 2.Foaming body
- 3.Guide rail
- 4.PCB box
- 5.PCB
- 6.PCB bracket
- 7.Compressor
- 8. Bottom decorative frame
- 9.Caster
- 10. Plate bottom
- 11.Power cord
- 12.Display panel
- 13.Cover of display board
- 14.Display board



List of Spare parts of party cooler 000925			
NO.	Material code	Material name	quantity per unit
1	R.01.04.03.01000	感温探头(temperature sensor)	1pc
2	R.01.04.03.30011	电路板(circuit board)	1pc
3	R.01.04.03.15000	显示板 (display board)	1pc
4	R.01.04.09.12010	顶盖(Top cover)	1pc