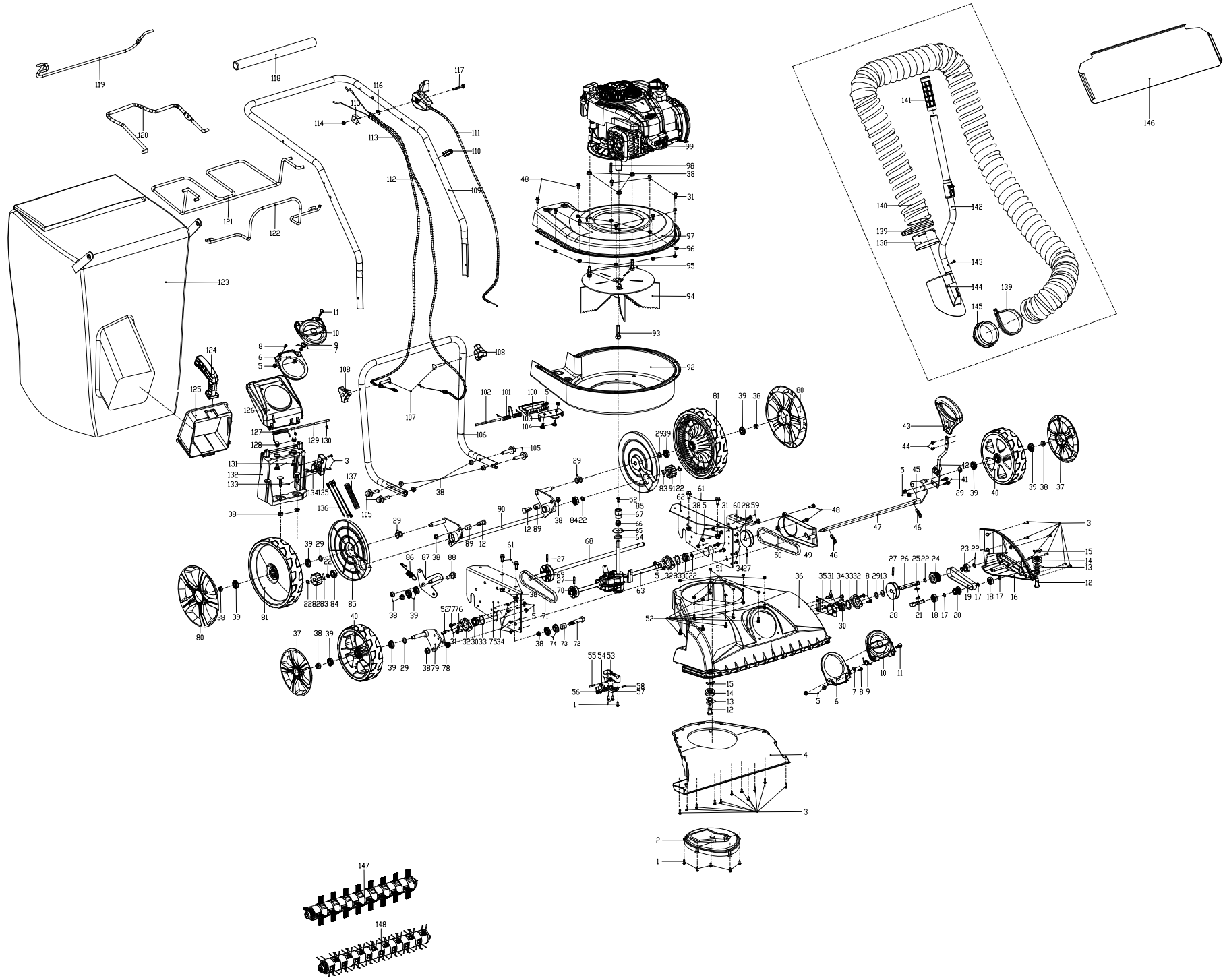


Jula item 013150



BOM单

JULA item 013150 DY580-140S			
NO.	Code	English Name	Used Qty
1	50080110000	Self-tapping screw	8
2	42190000130	center cover	1
3	50060010000	Self-tapping screw	20
4	42170000130	nozzle bottom cover	1
5	50290020000	Hexagon flange screw M6	20
6	42280000130	connector holder	2
7	50340210000	washer	2
8	50140030000	cross screw bolt	4
9	50430230000	nozzle cover return spring	2
10	42290000130	connector cover	2
11	50190040000	nozzle cover turning screw	2
12	50190050000	corner wheel screw	4
13	50340390000	washer	5
14	50500210000	pulley	2
15	50580010000	Butterfly Nut	2
16	42180000280	nozzle sideboard	1
17	50360010000	washer	5
18	50500200000	bearing	4
19	50000220000	belt	1
20	42250010000	belt wheel	1
21	32070040000	connecting shaft	1
22	50360000000	washer	9
23	50500190000	bearing	1
24	42250000000	belt wheel	1
25	50460010000	key	2
26	32070050000	connecting shaft	1
27	50370020000	pin	4
28	30290080000	belt wheel	2
29	50340070000	washer	9
30	50500160000	bearing	3
31	50030290000	bolt	14
32	30360070000	washer	3
33	50360030000	ring	3
34	50080110000	screw	10
35	30360130000	fixing board	1
36	42160000280	nozzle top cover	1
37	40100070290	8 inch wheel cover	2
38	50290030000	Hexagon flange nut M8	22
39	50500060000	British standard bearing	2
40	40050090001	8 inch front wheel	2
41	50030160000	Hexagon flange bolt	2
42	30170200000	height adjustment stick	1
43	40350140440	height adjustment handle	1
44	50140040000	cross screw bolt	2
45	30300090000	Bushing	1
46	50370070000	B-pin	2
47	30040330130	Front left shaft assembly	1
48	50030310000	Hexagon flange bolt	4
49	42320000130	belt cover	1
50	50000250000	belt	1
51	50290010000	lock nut	11
52	50030060000	Hexagon flange bolt	11

BOM单

JULA item 013150 DY580-140S			
53	42260020130	lower frame	1
54	42260010130	trigger	1
55	30280180000	round pole	1
56	50430220000	spring	1
57	42260000130	upper cover	1
58	30280170000	round pole	1
59	50010010000	bolt	2
60	30310090000	adjustment pannel	1
61	50030180000	bolt	4
62	10210130031	left frame board	1
63	30030192000	selfpropelled system Assy.	1
64	50430380000	spring	1
65	50340500000	washer	1
66	35340060000	oil seal	1
67	30400040000	spanner	1
68	32070062000	output shaft	1
69	40360070130	driven belt wheel	1
70	30290090000	belt wheel	1
71	50000210000	belt	1
72	50190070000	right frame board	1
73	35520030000	fixed bolt	1
74	50500170000	bearing	2
75	10210121031	Bushing	1
76	50340350000	washer	1
77	50340340000	washer	1
78	50430250000	spring	1
79	30040320130	frame board	1
80	40110050290	rear wheel cover	2
81	40060160001	rear wheel	2
82	30390100000	Gear box assy. (R)	1
83	50380000000	pin	2
84	50500000000	bearing	2
85	40120060130	wheel cover	2
86	50430260000	spring	1
87	33010061000	frame assy.	1
88	50190060000	bolt	1
89	32080000000	bushing	2
90	30050501130	rear wheel shaft	1
91	30390110000	Gear box assy (L)	1
92	10001990280	lower cover	1
93	50020070000	blade bolt	1
94	32040010000	fan	1
95	50030190000	bolt	3
96	50260000000	nut	10
97	10001981280	upper cover	1
98	50470000000	key	1
99	39980040000	engine BS500E	1
100	42240000130	Rear cover board	1
101	50430000000	Side seal plate torsion spring	1
102	30280040000	round bar	1
103	30350001000	Rear exhaust bracket	1
104	50010000000	bolt	2
105	50130050000	bolt	4
106	10020200290	Lower handle	1

BOM单

JULA item 013150 DY580-140S			
107	50010070000	bolt	2
108	40310010130	knob	2
109	10010121290	Upper handle	1
110	40390010130	cable clip	1
111	30110470280	Throttle cable	1
112	30130230000	roller cable	1
113	30130220000	driving cable	1
114	50310010000	Cap nut	1
115	40470010130	board	1
116	50340380000	washer	1
117	50030150000	Hexagon flange bolt	1
118	40350150130	foam	1
119	10160060280	roller lever	1
120	10160050280	driving lever	1
121	10190081031	Dust bag upper bracket	1
122	10190090440	Hose bracket	1
123	40160051001	Dust bag	1
124	42230000130	Dust bag interface handle	1
125	42220000130	Dust bag interface	1
126	42200000130	Rear cover	1
127	50430040000	Rear cover torsion spring	1
128	50310020000	Cap nut	2
129	30280160000	Round bar	1
130	50350010000	Split washer	2
131	50010040000	bolt	2
132	42210000130	Rear cover bracket	1
133	50010090000	bolt	2
134	80130080000	Switch	1
135	42300000130	Switch box	1
136	80100120000	Inner wire	1
137	40350140130	bellows hose	1
138	42350010130	Hose suction nozzle interface	1
139	50570010000	Hoop	2
140	42360000130	Hose	1
141	43020010130	Handle cover	1
142	30450000000	telescope tube	1
143	50080000000	Self-tapping screw	1
144	42340000130	Hose suction nozzle	1
145	42350000130	Hose interface	1
146	30360120000	Suction cover	1
147	12000010000	Brush roller	1
148	12000020000	Scarifier roller	1