



BATTERY-POWERED NAIL GUN

OPERATING INSTRUCTIONS - Original instructions

**SV BATTERIDRIVEN SPIKPISTOL
BRUKSANVISNING**
Översättning av originalinstruktioner

**DE AKKU-NAGLER
BEDIENUNGSANLEITUNG**
Übersetzung der Originalanleitung

**NO BATTERIDREVT SPIKERPISTOL
BETJENINGSANVISNINGER**
Oversettelse av originalinstruksjonene

**FI VIIMEISTELYNAULAIN
KÄYTTÖOHJE**
Alkuperäisten ohjeiden käännös

**DA BATTERIDREVT SØMPISTOL
BETJENINGSVEJLEDNING**
Oversættelse af den originale vejledning

**FR CLOUEUSE À BATTERIE
INSTRUCTIONS D'UTILISATION**
Traduction des instructions d'origine

**PL GWOŹDZIARKA AKUMULATOROWA
INSTRUKCJA OBSŁUGI**
Przekład instrukcji oryginalnej

**NL SPIJKERPISTOOL OP ACCU
BEDIENINGSINSTRUCTIES**
Vertaling van de originele instructies

Jula AB förbehåller sig rätten att göra ändringar på produkten. Jula AB innehar upphovsrätten till denna dokumentation. Det är inte tillåtet att modifiera eller ändra denna dokumentation på något sätt och bruksanvisningen ska skrivas ut och användas som den är i förhållande till produkten. Se Julas webbplats för den senaste versionen av bruksanvisningen.

Jula AB forbeholder seg retten til å endre produktet. Jula AB innehar opphavsretten til denne dokumentasjonen. Det er ikke tillatt å modifisere eller endre denne dokumentasjonen på noen som helst måte, og håndboken skal trykkes og brukes som den er i forhold til produktet. For siste versjon av betjeningsanvisningene, se Julas nettsider.

Jula AB forbeholder sig retten til at ændre produktet. Jula AB har ophavsretten til denne dokumentation. Det er ikke tilladt at modificere eller ændre denne dokumentation på nogen måde, og manualen skal printes og bruges som den er i forhold til produktet. For den seneste version af betjeningsvejledningen, se Julas hjemmeside.

Jula AB zastrzega sobie prawo do wprowadzania zmian w produkcie. Jula AB zastrzega sobie prawa autorskie do niniejszej dokumentacji. Dokumentacji nie wolno w żaden sposób modyfikować ani zmieniać, a instrukcję należy drukować i używać ją w odniesieniu do produktu w stanie niezmienionym. Najnowszą wersję instrukcji obsługi można znaleźć na stronie internetowej Jula.

Jula AB reserves the right to make changes to the product. Jula AB claims copyright on this documentation. It is not allowed to modify or alter this documentation in any way and the manual shall be printed and used as it is in relation to the product. For the latest version of operating instructions, refer to the Jula website.

Jula AB behält sich das Recht vor, Änderungen am Produkt vorzunehmen. Jula AB beansprucht die Urheberrechte an dieser Dokumentation. Es ist nicht zulässig, diese Dokumentation in irgendeiner Weise zu verändern oder umzugestalten. Die Anleitung muss gedruckt und so verwendet werden, wie sie in Bezug zum Produkt steht. Die aktuellste Version der Bedienungsanleitung finden Sie auf der Website von Jula.

Jula AB pidättää oikeuden tehdä tuotteeseen muutoksia. Jula AB:llä on tämän dokumentaation tekijänoikeus. Tätä dokumentaatiota ei saa muuttaa millään tavalla ja käyttöopas on tulostettava ja sitä on käytettävä sellaisena kuin se on tämän tuotteen kanssa. Käyttöohjeiden uusin versio löytyy Julan verkkosivustolta.

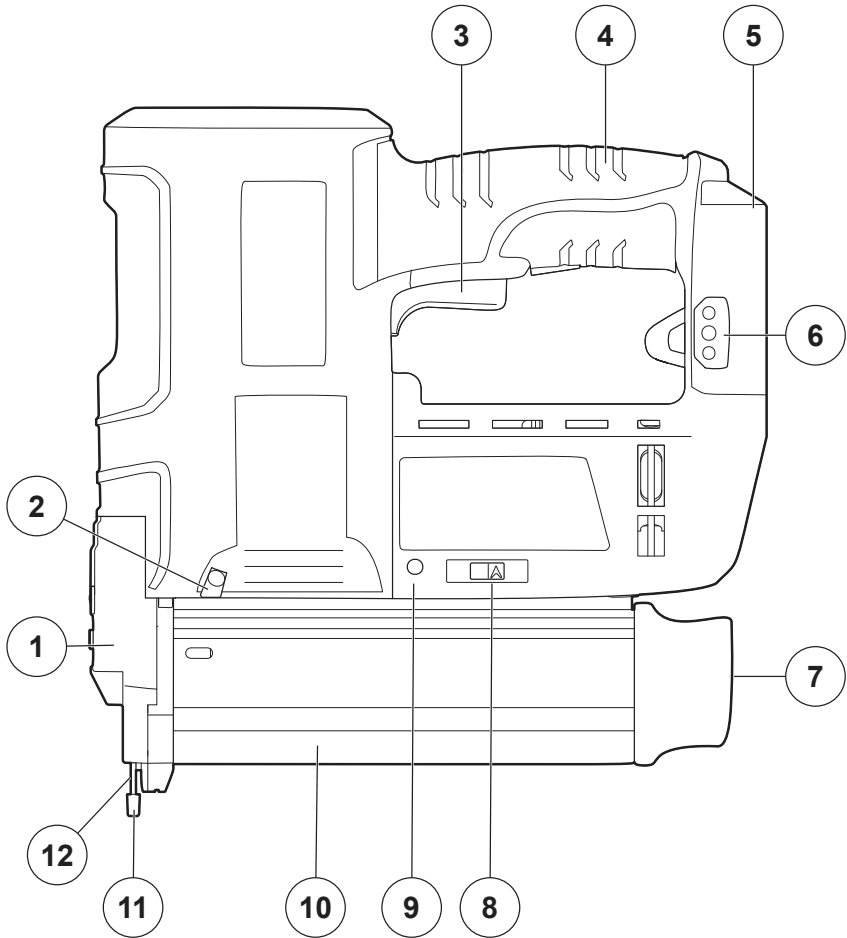
Jula AB se réserve le droit d'apporter des modifications au produit. Jula AB revendique les droits d'auteur sur cette documentation. Il est interdit de modifier ou d'altérer cette documentation de quelque manière que ce soit et le manuel doit être imprimé et utilisé tel quel en relation avec le produit. Pour obtenir la dernière version des instructions d'utilisation, consultez le site Web de Jula.

Jula AB behoudt zich het recht voor om wijzigingen aan het product aan te brengen. Jula AB claimt het copyright op deze documentatie. Het is niet toegestaan om deze documentatie op welke manier dan ook te wijzigen of te veranderen. De handleiding moet worden afgedrukt en gebruikt zoals deze in relatie tot het product staat. Raadpleeg de Jula-website voor de laatste versie van de bedieningsinstructies.

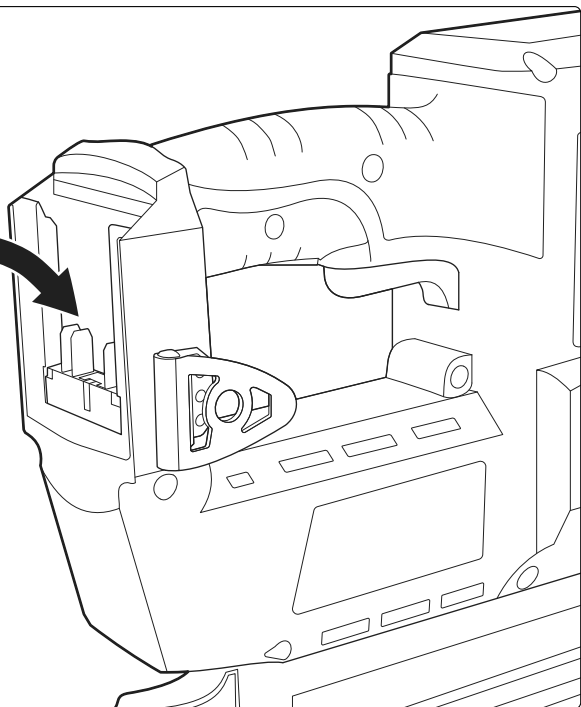
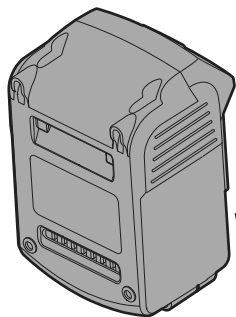
WWW.JULA.COM

© JULA AB 2026-02-25

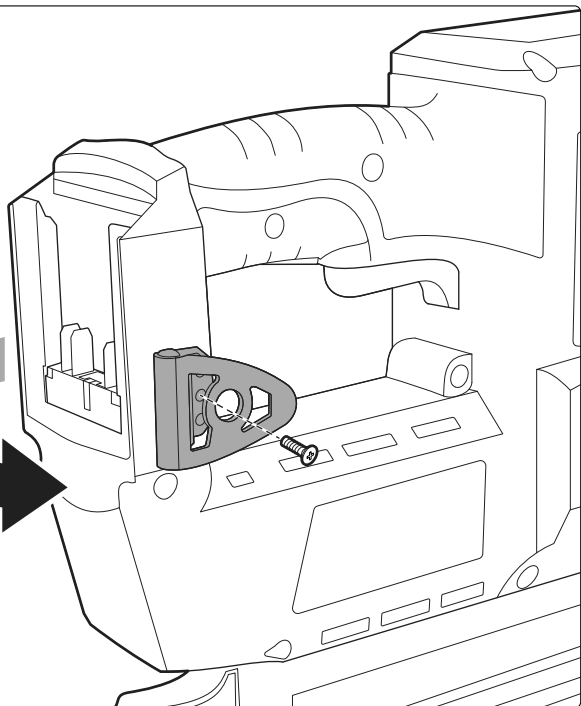
**JULA AB
BOX 363, 532 24 SKARA, SWEDEN**



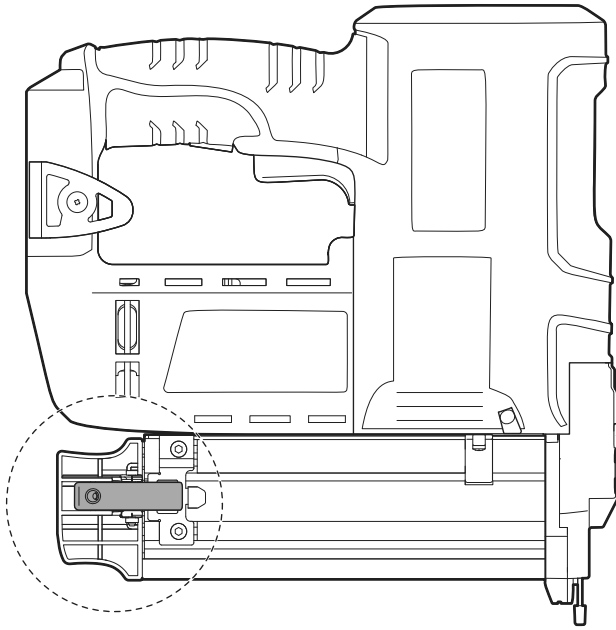
2



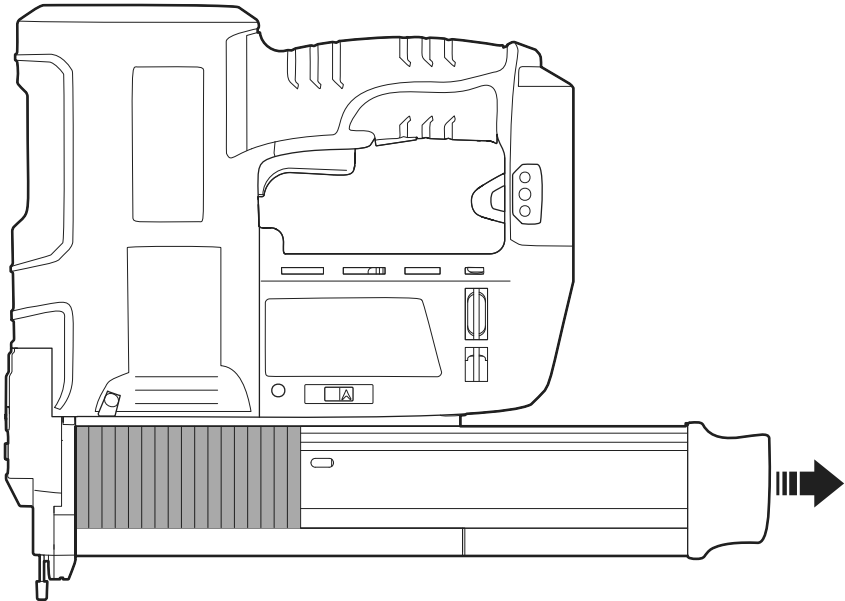
3



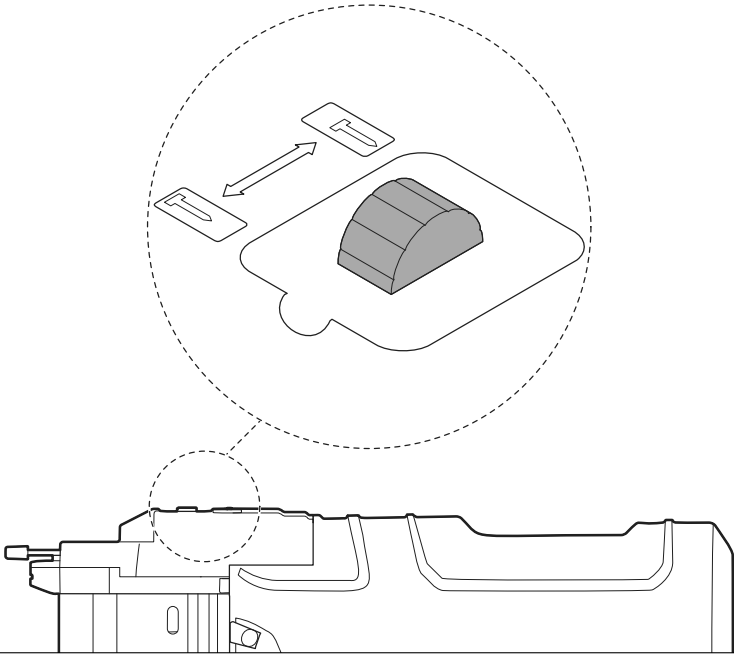
4



5



6



7

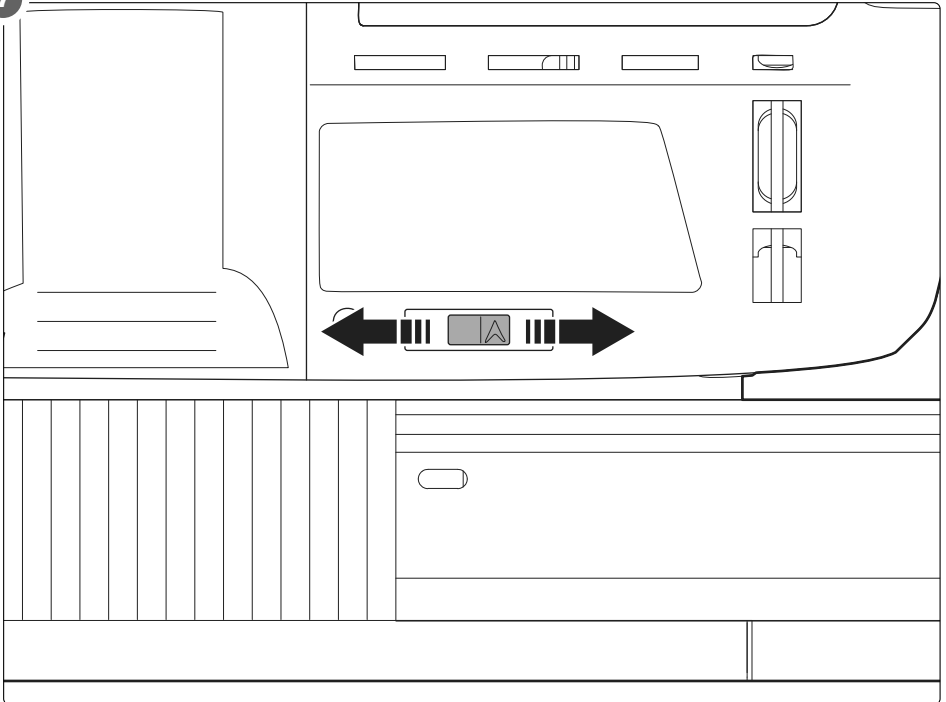


Table of contents

1 Introduction	7
1.1 The product.....	7
1.2 Dedicated use.....	7
1.3 Symbols	7
1.4 Product overview	7
2 Safety	8
2.1 Safety definitions	8
2.2 General power tool safety warnings	8
2.3 Work area safety.....	8
2.4 Electrical safety.....	8
2.5 Personal safety.....	8
2.6 Power tool use and care.....	9
2.7 Battery tool use and care	9
2.8 To minimized noise and vibration exposure.....	9
2.9 Nail gun safety warning.....	9
2.10 Additional safety instructions	9
2.11 Safety instructions for operation.....	9
3 Operation	10
3.1 To do before operation	10
3.2 To attach and remove a battery.....	10
3.3 To adjust the belt clip.....	10
3.4 To load fasteners	10
3.5 To remove fasteners.....	11
3.6 To remove blocked fasteners	11
3.7 To adjust the operation depth.....	11
3.8 To do a check of the safety tip.....	11
3.9 To adjust the firing mode	11
3.10 The status indicator	11
3.11 To use the product at cold temperatures.....	11
4 Transport	12
5 Storage	12
6 Maintenance	12
6.1 To clean the product.....	12
7 Discard	12
8 Servicing	12
9 Technical data	12

1 Introduction






1.1 The product

The product is a battery powered nail gun with 2 different firing modes. The product is a part of the Meeo Tools Multiseries 18 V. Staples, battery and battery charger are not included.

1.2 Dedicated use

The product is used to attach different materials to wooden surfaces and other applicable materials for example paper, insulations, leather, or building plastic. Only for domestic use.

1.3 Symbols

	Read the operating instructions carefully and make sure that you understand the instructions before you use the product. Save the instructions for future reference.
	Wear eye protection.
	Wear ear protection.
	This product complies with applicable EU directives and regulations.
	Recycle as electrical waste.

1.4 Product overview

Figure 1

1. Depth adjuster
2. LED work light
3. Power trigger
4. Handle
5. Battery port
6. Belt clip
7. Magazine release button (on the other side)
8. Mode selector switch
9. Status indicator
10. Magazine
11. Safety pad
12. Safety tip

2 Safety

2.1 Safety definitions

Warning! If you do not obey these instructions, there is a risk of death or injury.

Caution! If you do not obey these instructions, there is a risk of damage to the product, other materials or the adjacent area.

Note! Information that is necessary in a given situation.

2.2 General power tool safety warnings

Warning! If you do not obey these instructions, there is a risk of death or injury.

Warning! Read all safety warnings and all instructions. Failure to follow the warnings and instructions can result in electric shock, fire and/or serious injury.

Warning! Save all warnings and instructions for future reference. The term "power tool" in the warnings refers to your mains-operated (corded) power tool or battery-operated (cordless) power tool.

Note! The product is battery-powered, refer to the user manuals for the battery and the charger for their safety information.

2.3 Work area safety

- Keep the work area clean and well lit. Cluttered or dark areas invite accidents.
- Do not operate power tools in explosive atmospheres, such as in the presence of flammable liquids, gases or dust. Power tools create sparks which may ignite the dust or fumes.
- Keep children and bystanders away while operating a power tool. Distractions may cause you to lose control.

2.4 Electrical safety

- Power tool plugs must match the outlet. Never modify the plug in any way. Do not use any adapter plugs with earthed (grounded) power tools. Unmodified plugs and matching outlets will reduce risk of electric shock.
- Avoid body contact with earthed or grounded surfaces, such as pipes, radiators, ranges and refrigerators. There is an increased risk of electric shock if your body is earthed or grounded.

- Do not expose power tools to rain or wet conditions. Water entering a power tool will increase the risk of electric shock.
- Do not abuse the cord. Never use the cord for carrying, pulling or unplugging the power tool. Keep cord away from heat, oil, sharp edges or moving parts. Damaged or entangled cords increase the risk of electric shock.
- When operating a power tool outdoors, use an extension cord suitable for outdoor use. Use of a cord suitable for outdoor use reduces the risk of electric shock.
- If operating a power tool in a damp location is unavoidable, use a residual current device (RCD) protected supply. Use of an RCD reduces the risk of electric shock.

2.5 Personal safety

- Stay alert, watch what you are doing and use common sense when operating a power tool. Do not use a power tool while you are tired or under the influence of drugs, alcohol or medication. A moment of inattention while operating power tools may result in serious personal injury.
- Use personal protective equipment. Always wear eye protection.
- Protective equipment such as dust mask, non-skid safety shoes, hard hat, or hearing protection used for appropriate conditions will reduce personal injuries.
- Prevent unintentional starting. Ensure the switch is in the off-position before connecting to power source and/or battery pack, picking up or carrying the tool. Carrying power tools with your finger on the switch or energising power tools that have the switch on invites accidents.
- Remove any adjusting key or wrench before turning the power tool on. A wrench or a key left attached to a rotating part of the power tool may result in personal injury.
- Do not overreach. Keep proper footing and balance at all times. This enables better control of the power tool in unexpected situations.
- Dress properly. Do not wear loose clothing or jewellery. Keep your hair, clothing and gloves away from moving parts. Loose clothes, jewellery or long hair can be caught in moving parts.
- If devices are provided for the connection of dust extraction and collection facilities, ensure these are connected and properly used. Use of dust collection can reduce dust-related hazards.

- Do not let familiarity gained from frequent use of tools allow you to become complacent and ignore tool safety principles. A careless action can cause severe injury within a fraction of a second.

2.6 Power tool use and care

- Do not force the power tool. Use the correct power tool for your application. The correct power tool will do the job better and safer at the rate for which it was designed.
- Do not use the power tool if the switch does not turn it on and off. Any power tool that cannot be controlled with the switch is dangerous and must be repaired.
- Disconnect the plug from the power source and/or the battery pack from the power tool before making any adjustments, changing accessories, or storing power tools. Such preventive safety measures reduce the risk of starting the power tool accidentally.
- Store idle power tools out of the reach of children and do not allow persons unfamiliar with the power tool or these instructions to operate the power tool. Power tools are dangerous in the hands of untrained users.
- Maintain power tools and accessories. Check for misalignment or binding of moving parts, breakage of parts and any other condition that may affect the power tool's operation. If damaged, have the power tool repaired before use. Many accidents are caused by poorly maintained power tools.
- Use the power tool, accessories and tool bits etc. in accordance with these instructions, taking into account the working conditions and the work to be performed. Use of the power tool for operations different from those intended could result in a hazardous situation.
- Keep handles and grasping surfaces dry, clean and free from oil and grease. Slippery handles and grasping surfaces do not allow for safe handling and control of the tool in unexpected situations.

2.7 Battery tool use and care

- Recharge only with the charger specified by the manufacturer. A charger that is suitable for one type of battery pack may create a risk of fire when used with another battery pack.
- Use power tools only with specifically designated battery packs. Use of any other battery packs may create a risk of injury and fire.

2.8 To minimized noise and vibration exposure

- Plan the work so that exposure to heavy vibrations is spread over a longer period.

- To reduce noise and vibrations when in use, limit the time the tool is in use, and use low-power/vibration mode and suitable safety equipment.
- Take the following precautions to minimise the risks of exposure to vibrations and/or noise:
 - Check that the tool is in good condition.
 - Only use accessories that are in good condition, and suitable for the job.
 - Keep a firm grip on the handles/grips.

2.9 Nail gun safety warning

- Be careful when you move the product. Always think that the product is loaded with fasteners. Incorrect handling of the product can cause accidental firing and injuries.
- Do not point the product at yourself, other persons, or animals. Accidental firing of fasteners can cause serious injury.
- Keep your fingers and body parts away from the outlet port of the product.
- Safety the workpiece with fixturing device if necessary to prevent injury.
- Do not operate the product unless it is tightly pushed against the work piece. Incorrect operation of the product can cause uncontrolled ejection of fasteners and cause injuries.
- To prevent accidental operation and injuries, stop the product and remove the battery before you load the magazine with fasteners.
- Be careful when releasing blocked fasteners. The magazine can be tensioned and the fastener can suddenly fire out with force when you try to release it.
- Do not use the product to attach electric cables. Nail guns are not applicable for electrical installation work because they can damage the cable insulation and cause electric shock or fire.

2.10 Additional safety instructions

- Loose workpieces must always be safetied.
- Always wait until the product has come to a complete stop before you put it down. The product can get caught and cause you to lose control.

2.11 Safety instructions for operation

- Read and obey the warning instructions before operation.

- Do not use the product if you are tired, ill, or intoxicated. This will decrease your vision, alertness, coordination and judgement.
- Do not let children or persons who do not know the product to use it.
- Do not use the product if it is damaged.
- Do not make changes to the product.
- Use the product only for its specified function.

2.11.1 Residual risks

There will always be residual risks even if you operate the product in accordance to the instructions.

The following hazards may occur in connection with the type and design of this power tool:

- Hearing damage if ear protection is not worn.
- Health injuries as a result from the effect of vibration on the hands and arms when the product is used over a long period of time or when it is not used and maintained correctly.
- Danger due to electromagnetic field generated while the machine is in operation. Under certain circumstances, this field may negatively affect active or passive medical implants.
- In order to decrease the danger of serious or fatal injuries, it is recommended that individuals who wear medical implants should consult their doctor and the manufacturer of the implant before operating the machine.

3 Operation

3.1 To do before operation

Warning! Before each use, do a check of the selected mode to prevent the risk of injury.

3.2 To attach and remove a battery

Caution! Make sure that the battery is correctly attached. If the battery become loose, it can cause personal injury.

Caution! Do not force the battery in place. If it is not easy to attach, it is not correctly aligned.

3.2.1 To attach a battery

Figure 2

- 1 Align the battery to the slots in the casing.

- 2 Push the battery until a clicks is heard.

3.2.2 To remove a battery

- 1 Push the button on the front of the battery.
- 2 Pull the battery out from the battery port.

3.3 To adjust the belt clip

The belt clip can be attached on the left or on the right side of the product.

Figure 3

- 1 Loosen the screw with a screwdriver.
- 2 Put the belt clip in the applicable position.
- 3 Attach the belt clip and tighten the screw.

3.4 To load fasteners

Warning! Make sure that the battery is not attached.

Warning! Do not point the product at yourself or other person when you load the product, risk of injuries.

Warning! Make sure that the trigger or interlock mechanism are not activated when you load the product, there is a risk of injuries.

Caution! Only use fasteners recommended by the manufacturer. The use of other fasteners can cause injury or material damage. Refer to "9 Technical data" on page 12.

- 1 Push the lock button. (Figure 4)
- 2 Pull back the magazine cover. (Figure 5)
- 3 Put the fasteners in the magazine.
- 4 Push the magazine cover forward until it clicks into position. Make sure it is correctly locked.

- When you load the magazine with nail fasteners, the tip of the nail must point down and be set against the bottom edge of the magazine.
- When you load the magazine with staples, put the top of the staples against the top edge of the magazine.

3.5 To remove fasteners

Warning! Make sure that the battery is not attached.

Warning! Remove the fasteners from the magazine before the product is put away.

- 1 Push the lock button. (Figure 4)
- 2 Pull back the magazine cover.
- 3 Remove the fasteners from the magazine.
- 4 Push the magazine cover forward until it clicks in position. Make sure it is correctly locked.

3.6 To remove blocked fasteners

Warning! Make sure that the battery is not attached.

Caution! The product will not start if the firing mechanism is blocked.

- 1 Push the lock button. (Figure 4)
- 2 Pull back the magazine cover.
- 3 Remove the blocked fastener. If necessary use a nail or other object to remove the fastener.

3.7 To adjust the operation depth

Note! Hard materials and long nails will need more force to operate the nail.

Figure 6

- Turn the adjuster knob to the left to increase the operating depth.
- Turn the adjuster knob to the right to decrease the operating depth.

Note! Do a test on a workpiece to find the applicable depth.

3.8 To do a check of the safety tip

Warning! Do a check of the safety tip before each use. Do not use the product if the safety tip is damaged.

- The safety tip must be able to move freely. Make sure it goes back to its fully extended position after it is pushed in.

3.8.1 To change the safety pad

Warning! Make sure that the battery is not attached before you remove or replace the safety pad, there is a risk of serious injury.

- The safety pad prevents marks and damaged on the workpiece.
- 1 Pull the safety pad from the safety tip and attach the new safety pad.

3.9 To adjust the firing mode

Warning! Do not operate the product unless the outlet for the fasteners is put tightly against the workpiece.

Figure 7

3.9.1 Single operation mode

This mode is applicable for single and accurate fastener placement.

- Move the mode selector switch to the left position. The trigger must be pushed each time to shoot a fastener when the single operation mode is selected.

Note! The safety tip and the trigger must be pushed down to operate the product.

3.9.2 Contact operation mode

This mode is applicable for fast and repetitive operation.

- Move the mode selector switch to the right position. In contact operation mode a fasteners is shoot each time the safety tip is pushed down against the workpiece while the trigger is pushed.

3.10 The status indicator

The status indicator will flash when the battery is low, the magazine is empty, or if a fastener is blocked.

3.11 To use the product at cold temperatures

Note! The cold temperature can have a negative effect on the performance and the life of the battery.

- Keep the product as warm as possible before use.
- Operate the product on a workpiece 5–6 times before use.

4 Transport

- Let the product come to a complete stop and remove the battery before you transport the product.

5 Storage

- If the product is not going to be used for a long period of time, remove the battery and keep the product in a clean and dry area, where children and pets do not have access to it.

6 Maintenance

⚠ Caution! Stop the product and remove the battery before you do maintenance.

6.1 To clean the product

⚠ Caution! To prevent damage to the surface of the product, do not use harsh detergents or abrasive cleaners.

- Clean the product with a dry cloth if necessary.
- Use compressed air or a brush to clean hard to get to areas.

6.1.1 To clean the magazine for fasteners

Problems with operation and the feeding of the fasteners can be because of the glue residue from the nail strips. Clean the area around the drive mechanism to prevent problems.

- Pull back the magazine cover and remove the fasteners.
- Apply compressed air tool oil on a clean cloth and clean off all the glue residue inside the magazine.

7 Discard

- Make sure that you follow local regulations when you discard the product. Do not burn the product.

8 Servicing

⚠ Warning! Only approved personnel must do repairs on the product.

- The power tool must only be serviced by qualified personnel using identical spare parts. This will ensure that the power tool remains safe to use.

9 Technical data

Specification	Value
Rated voltage	18 V DC, 2 Ah
Firing frequency	60/ min
Magazine	100 pcs
Firing per charge	700
Charging time	45 min
Weight	2.8 kg
Type of fasteners	Nails 18 GA
	Staples 18 GA 1/4"
Length of fasteners	Nails 5/8" -2"
	Staples 16-40 mm
Noise levels	
Sound pressure level, L_{pA}	83 dB(A), K=3 dB
Sound power level, L_{WA}	94 dB(A), K=3 dB
Vibrations level ¹	2.2m/s ² , K=1.5m/s ²

⚠ Warning! Always wear hearing protection!

⚠ Warning! The actual vibration and noise level when using tools may differ from the specified maximum value, depending on how the tool is used and the material. It is therefore necessary to determine which safety precautions are required to protect the user, based on an estimate of exposure in actual operating conditions (taking into account all stages of the work cycle, e.g. the time when the tool is switched off and when it is idling, in addition to the start-up time).

¹ The declared values for vibration and noise, which have been measured according to a standardized test method, can be used to compare different tools with each other and for a preliminary assessment of exposure. The measurement values have been determined in accordance with EN 60745-2-16:2010.

Innehållsförteckning

1 Inledning	13
1.1 Produkten	13
1.2 Avsedd användning	13
1.3 Symboler	13
1.4 Produktöversikt.....	13
2 Säkerhet	14
2.1 Säkerhetsdefinitioner.....	14
2.2 Allmänna säkerhetsvarningar för elverktyg.....	14
2.3 Säkerhet i arbetsområdet.....	14
2.4 Elsäkerhet.....	14
2.5 Personlig säkerhet.....	14
2.6 Användning och skötsel av elverktyg.....	15
2.7 Användning och skötsel av batteridrivna verktyg	15
2.8 Att minimera exponering för buller och vibrationer	15
2.9 Säkerhetsvarning för spikpistoler	15
2.10 Ytterligare säkerhetsinstruktioner	16
2.11 Säkerhetsinstruktioner för användning	16
3 Användning	16
3.1 Att göra före användning	16
3.2 Att ansluta och ta bort ett batteri.....	16
3.3 Att justera bältesklämman.....	16
3.4 Att ladda fästen.....	16
3.5 Att ta bort fästen.....	17
3.6 Att ta bort blockerade fästen	17
3.7 Att justera arbetsdjupet.....	17
3.8 Att kontrollera säkerhetsspetsen.....	17
3.9 Att justera avfyrningsläget	17
3.10 Statusindikatorn.....	17
3.11 Att använda produkten vid kalla temperaturer	17
4 Transport	18
5 Förvaring	18
6 Underhåll	18
6.1 Att rengöra produkten.....	18
7 Kassering	18
8 Underhåll	18
9 Tekniska data	18

1 Inledning

1.1 Produkten

Produkten är en batteridrivna spikpistol med 2 olika avfyrningslägen. Produkten ingår i serien Meecc Tools Multiseries 18 V. Häftklamrar, batteri och batteriladdare ingår inte.

1.2 Avsedd användning

Produkten används för att fästa olika material på träytor och andra tillämpliga material som t.ex. papper, isolering, läder eller byggplast. Endast för hemmabruk.

1.3 Symboler

	Läs bruksanvisningen noggrant och se till att du förstår instruktionerna innan du börjar använda produkten. Spara bruksanvisningen för framtida bruk.
	Använd ögonskydd.
	Använd hörselskydd.
	Denna produkt uppfyller tillämpliga EU-direktiv och -förfordningar.
	Återvinns som elektroniskt avfall.

1.4 Produktöversikt

(Bild 1)

1. Djupjusterare
2. LED-arbetslampa
3. Startknapp
4. Handtag
5. Batteriport
6. Bältesklämma
7. Magasinutlösningsknapp (på andra sidan)
8. Lägesväljare
9. Statusindikator
10. Magasin
11. Skyddsdyna
12. Säkerhetsspets

2 Säkerhet

2.1 Säkerhetsdefinitioner

⚠ Varning! Om du inte följer dessa instruktioner finns det risk för personskada eller dödsfall.

⚠ Försiktighet! Om du inte följer dessa instruktioner finns det risk för att du skadar produkten, andra material eller det närliggande området.

Obs! Information som är nödvändig i en specifik situation.

2.2 Allmänna säkerhetsvarningar för elverktyg

⚠ Varning! Om du inte följer dessa instruktioner finns det risk för personskador eller dödsfall.

⚠ Varning! Läs alla säkerhetsvarningar och alla instruktioner. Om du inte följer alla varningar och instruktioner kan det leda till elchock, brand och/eller allvarlig personskada.

⚠ Varning! Spara alla varningar och instruktioner för framtida bruk. Begreppet "elverktyg" i varningarna syftar på ditt verktyg som antingen drivs via elnätet (med sladd) eller med batteri (sladdlöst).

Obs! Produkten är batteridriven. Se bruksanvisningarna för batteriet och laddaren för säkerhetsinformation.

2.3 Säkerhet i arbetsområdet

- Håll arbetsområdet rent och väl upplyst. Stökiga eller mörka områden bäddar för olyckor.
- Använd inte elverktyg i explosiva miljöer, t.ex. där det finns brandfarliga vätskor, gaser eller damm. Elverktyg alstrar gnistor som kan antända damm och ångor.
- Barn och åskådare ska hållas på avstånd när ett elverktyg används. Distraktioner kan få dig att förlora kontrollen över verktyget.

2.4 Elsäkerhet

- Elverktygets kontakt måste överensstämja med eluttaget. Kontakten får aldrig ändras på något sätt. Använd aldrig kontaktadapterar med jordade elverktyg. En oförändrad kontakt som används med ett överensstämmande eluttag minskar risken för elchock.
- Undvik kroppskontakt med jordade ytor, såsom rör, element, spisar och kylskåp. Risken för elchock ökar om din kropp är jordad.

- Elverktyg får inte utsättas för regn eller våta förhållanden. Om vatten tränger in i ett elverktyg ökar risken för elchock.
- Använd inte våld på sladden. Använd aldrig sladden för att bära, dra eller koppla ur elverktyget. Håll sladden borta från värme, olja, vassa kanter eller rörliga delar. En skadad eller ihoptrasslad strömsladd ökar risken för elchock.
- När du använder ett elverktyg utomhus, använd en förlängningssladd som är lämplig för utomhusbruk. Att använda en sladd som är lämplig för utomhusbruk minskar risken för elchock.
- Om det är oundvikligt att använda ett elverktyg på en fuktig plats, använd en strömkälla med jordfelsbrytare. Att använda en jordfelsbrytare minskar risken för elchock.

2.5 Personlig säkerhet

- Var uppmärksam, ha koll på det du gör och använd sunt förnuft när du använder ett elverktyg. Använd aldrig elverktyg när du är trött eller påverkad av droger, alkohol eller läkemedel. Ett ögonblicks ouppmärksamhet medan du använder ett elverktyg kan leda till allvarlig personskada.
- Använd personlig skyddsutrustning. Använd alltid skyddsglasögon.
- Skyddsutrustning, såsom ansiktsmask, halkfria skyddsskor, arbetshjälm eller hörselskydd, som används under lämpliga förhållanden, minskar risken för personskador.
- Förhindra oavsiktlig start Se till att startknappen är i avstängt läge innan du ansluter till en strömkälla och/eller ett batteripaket, eller när du plockar upp eller bär verktyget. En olycka kan lätt hända om du bär ett elverktyg med fingret på startknappen eller om du ansluter ett påslaget elverktyg till elnätet.
- Ta bort eventuella justeringsnycklar eller skiftnycklar innan du startar elverktyget. Om du lämnar en justeringsnyckel eller skiftnyckel kvar på en roterande del på elverktyget kan det leda till personskador.
- Sträck dig inte för långt när du använder produkten. Se till att alltid stå stadigt och ha balans. Detta gör att du har bättre kontroll på elverktyget om något oväntat skulle inträffa.
- Ha lämplig klädsel. Bär inte löst sittande kläder eller smycken. Håll hår, kläder och handskar borta från alla rörliga delar. Löst sittande kläder, smycken och långt hår kan fastna i rörliga delar.

- Om produkten är försedd med en anslutning för dammsugning eller dammuppsamling ska du se till att dessa ansluts och används på rätt sätt. Att använda dammsugning/dammuppsamling kan minska dammrelaterade faror.
- Det är lätt att känna sig säker på hur ett verktyg används efter att ha använt det många gånger och därmed ignorera de säkerhetsprinciper som gäller för verktyget. En enda oförsiktig handling kan orsaka allvarlig personskada på bråkdelen av en sekund.

2.6 Användning och skötsel av elverktyg

- Överbelasta inte elverktyget. Använd rätt elverktyg för det arbete du ska utföra. Rätt elverktyg gör jobbet bättre och säkrare i den hastighet som det är avsett för.
- Använd inte elverktyget om startknappen inte fungerar som den ska. Ett elverktyg utan en fungerande startknapp är farligt och måste repareras.
- Koppla bort kontakten från elnätet och/eller ta bort batteripaketet (om det är avtagbart) från elverktyget innan du gör några justeringar, byter tillbehör eller lägger undan elverktyget för förvaring. Dessa förebyggande säkerhetsåtgärder minskar risken för att elverktyget startas oavsiktligen.
- Elverktyg som inte används ska förvaras utom räckhåll för barn. Låt inte personer som inte känner till elverktyget eller dessa instruktioner använda elverktyget. Elverktyg är farliga i händerna på oerfarna användare.
- Underhåll dina elverktyg och tillbehör. Kontrollera om elverktyget har felinställda eller rörliga delar som fastnat, skadade delar eller annat som kan påverka elverktygets funktion. Om elverktyget är skadat ska det repareras före användning. Många olyckor orsakas av dåligt underhållna elverktyg.
- Använd elverktyget, tillbehör och verktygsbits i enlighet med dessa instruktioner, och med hänsyn till rådande arbetsförhållandena och det arbete som ska utföras. Att använda elverktyget för annat än de avsedda ändamålen kan leda till farliga situationer.
- Håll handtag och greppytor torra och rena, och fria från olja och fett. Glatta handtag och greppytor gör att du inte kan hantera och kontrollera verktyget på ett säkert sätt i oväntade situationer.

2.7 Användning och skötsel av batteridrivna verktyg

- Ladda endast med den laddare som tillverkaren har angett. En laddare som är lämplig för ett visst batteripaket kan skapa en brandrisk om den används med ett annat batteripaket.

- Elverktyg får endast användas med batteripaket som är särskilt avsedda för dem. Att använda andra batteripaket kan skapa en risk för personskada eller brand.

2.8 Att minimera exponering för buller och vibrationer

- Planera arbetet så att exponeringen för kraftiga vibrationer sprids ut över en längre period.
- För att minska buller och vibrationer vid användning, begränsa tiden som verktyget används, använd lågeffekts-/vibrationsläge och lämplig skyddsutrustning.
- Vidta följande försiktighetsåtgärder för att minimera riskerna för exponering för vibrationer och/eller buller:
 - Kontrollera att verktyget är i gott skick.
 - Använd endast tillbehör som är i gott skick och lämpliga för jobbet.
 - Håll ett stadigt grepp om handtagen/greppen.

2.9 Säkerhetsvarning för spikpistoler

- Var försiktig när du flyttar produkten. Tänk alltid på att produkten är laddad med fästen. Felaktig hantering av produkten kan leda till oavsiktlig avfyrning och personskador.
- Rikta inte produkten mot dig själv, andra personer eller djur. Oavsiktlig avfyrning av fästen kan orsaka allvarliga personskador.
- Håll fingrar och kroppsdelar borta från produktens utloppspört.
- Säkra arbetsstycket med fästanordning om det behövs för att förhindra skador.
- Använd inte produkten om den inte är ordentligt tryckt mot arbetsstycket. Felaktig användning av produkten kan leda till okontrollerat utskjutande av fästen och orsaka skador.
- För att förhindra oavsiktlig användning och personskador ska du stoppa produkten och ta ut batteriet innan du laddar magasinet med fästen.
- Var försiktig när du lossar blockerade fästen. Magasinet kan vara spänt och fästet kan plötsligt skjutas ut med kraft när du försöker lossa det.
- Använd inte produkten för att fästa elkablar. Spikpistoler är inte lämpliga för elinstallationsarbeten eftersom de kan skada kabelisoleringen och orsaka elektriska stötar eller brand.

2.10 Ytterligare säkerhetsinstruktioner

- Lösa arbetsstycken måste alltid säkras.
- Vänta alltid tills produkten har stannat helt innan du lägger ner den. Produkten kan fastna och leda till att du tappar kontrollen.

2.11 Säkerhetsinstruktioner för användning

- Läs och följ varningsanvisningarna innan användning.
- Använd inte produkten om du är trött, sjuk eller berusad. Dessa har en negativ påverkan på din syn, uppmärksamhet, koordination och omdöme.
- Låt inte barn eller personer som inte vet hur man använder produkten använda den.
- Använd inte produkten om den är skadad.
- Gör inga ändringar på produkten.
- Använd endast produkten för dess avsedda ändamål.

2.11.1 Kvarstående risker

Det finns alltid kvarstående risker även om du använder produkten enligt instruktionerna.

Följande faror kan uppstå i samband med denna av elverkety:

- Hörselskador, om hörselskydd inte används.
- Hälsoskador, till följd av vibrationers inverkan på händer och armar när produkten används under lång tid eller när den inte används och underhålls korrekt.
- Fara på grund av det elektromagnetiska fält som genereras när produkten är i drift. Under vissa omständigheter kan detta fält ha en negativ påverkan på aktiva eller passiva medicinska implantat.
- För att minska risken för allvarliga eller dödliga skador rekommenderas att personer som bär medicinska implantat rådfrågar sin läkare, och eventuellt tillverkaren av implantatet, innan de använder produkten.

3 Användning

3.1 Att göra före användning

⚠ Varning! Kontrollera det valda läget före varje användning för att förhindra risken för personskador.

3.2 Att ansluta och ta bort ett batteri

⚠ Försiktighet! Se till att batteriet är korrekt anslutet. Om batteriet lossnar kan det orsaka personskador.

⚠ Försiktighet! Tvinga inte batteriet på plats. Om det inte går lätt att sätta fast det så är det inte korrekt inriktat.

3.2.1 Att ansluta ett batteri

Bild 2

- 1 Rikta in batteriet mot öppningarna i höljet.
- 2 Tryck in batteriet tills det hörs ett klick.

3.2.2 Att ta bort ett batteri

- 1 Tryck på knappen på batteriets framsida.
- 2 Dra ut batteriet ur batteriporten.

3.3 Att justera bältesklämman

Bältesklämman kan fästas på vänster eller höger sida av produkten.

Bild 3

- 1 Lossa skruven med en skruvmejsel.
- 2 Sätt bältesklämman i rätt läge.
- 3 Sätt fast bältesklämman och dra åt skruven.

3.4 Att ladda fästen

⚠ Varning! Se till att batteriet inte är anslutet.

⚠ Varning! Rikta inte produkten mot dig själv eller någon annan person när du laddar produkten, risk för personskador.

⚠ Varning! Se till att avtryckaren eller spärrmekanismen inte aktiveras när du laddar produkten, risk för personskador.

⚠ Försiktighet! Använd endast de fästen som rekommenderas av tillverkaren. Användning av andra fästen kan orsaka person- eller materialskador. Se "[9 Tekniska data](#)" på sida 18.

- 1 Tryck på låsknappen. (Bild 4)
- 2 Dra tillbaka magasinlocket. (Bild 5)
- 3 Sätt in fästet i magasin.
- 4 Skjut magasinlocket framåt tills det klickar fast. Kontrollera att det är korrekt låst.

- När du laddar magasinet med spikfästen måste spikens spets peka nedåt och vara placerad mot magasinets underkant.
- När du laddar magasinet med häftklamrar ska du placera häftklamrarnas ovsida mot magasinets överkant.

3.5 Att ta bort fästen

! Varning! Se till att batteriet inte är anslutet.

! Varning! Ta bort fästena från magasinet innan produkten ställs undan.

- 1 Tryck på låsknappen. (Bild 4)
- 2 Dra tillbaka magasinetslocket.
- 3 Ta bort fästena från magasinet.
- 4 Skjut magasinetslocket framåt tills det klickar fast. Kontrollera att det är korrekt låst.

3.6 Att ta bort blockerade fästen

! Varning! Se till att batteriet inte är anslutet.

! Försiktighet! Produkten startar inte om avfyrningsmekanismen är blockerad.

- 1 Tryck på låsknappen. (Bild 4)
- 2 Dra tillbaka magasinetslocket.
- 3 Ta bort det blockerade fästet. Använd vid behov en spik eller annat föremål för att ta bort fästet.

3.7 Att justera arbetsdjupet

Obs! Hårda material och långa spikar kräver mer kraft för att hantera spiken.

(Bild 6)

- Vrid justeringsknoppen åt vänster för att öka arbetsdjupet.
- Vrid justeringsknoppen åt höger för att minska arbetsdjupet.

Obs! Gör ett test på ett arbetsstycke för att hitta rätt djup.

3.8 Att kontrollera säkerhetsspetsen

! Varning! Kontrollera alltid säkerhetsspetsen före användning. Använd inte produkten om säkerhetsspetsen är skadad.

- Säkerhetsspetsen måste kunna röra sig fritt. Kontrollera att den går tillbaka till sitt helt utdragna läge efter att den har tryckts in.

3.8.1 Att ändra säkerhetsdynan

! Varning! Se till att batteriet inte är anslutet innan du tar bort eller byter ut skyddsdynan, annars finns det risk för allvarliga personskadorna.

- Säkerhetsdynan förhindrar märken och skador på arbetsstycket.

- 1 Dra bort säkerhetsdynan från säkerhetsspetsen och sätt fast den nya säkerhetsdynan.

3.9 Att justera avfyrningsläget

! Varning! Använd endast produkten om fästenas utlopp sitter tätt mot arbetsstycket.

(Bild 7)

3.9.1 Läge för enkel användning

Detta läge är lämpligt för enkla och exakta placeringar av fästena.

- Flytta lägesväljaren till vänster läge. Avtryckaren måste tryckas in varje gång för att skjuta ett fäste när läget för enkel användning är valt.

Obs! Säkerhetsspetsen och avtryckaren måste tryckas ned för att använda produkten.

3.9.2 Kontaktens driftläge

Detta läge är lämpligt för snabba och repetitiva uppgifter.

- Flytta lägesväljaren till höger läge. I kontaktdrift skjuts ett fäste varje gång säkerhetsspetsen trycks ned mot arbetsstycket medan avtryckaren trycks in.

3.10 Statusindikatorn

Statusindikatorn blinkar när batterinivån är låg, magasinet är tomt eller om ett fäste är blockerat.

3.11 Att använda produkten vid kalla temperaturer

Obs! Den kalla temperaturen kan ha en negativ inverkan på batteriets prestanda och livslängd.

- Håll produkten så varm som möjligt före användning.
- Använd produkten på ett arbetsstycke 5–6 gånger före användning.

4 Transport

- Låt produkten stanna helt och ta bort batteriet innan du transporterar produkten.

5 Förvaring

- Om produkten inte ska användas under en längre tid ska batteriet tas ur och produkten förvaras på en ren och torr plats, utom räckhåll för barn och husdjur.

6 Underhåll

⚠ Försiktighet! Stoppa produkten och ta ut batteriet innan du utför underhåll.

6.1 Att rengöra produkten

⚠ Försiktighet! För att undvika skador på produktens yta, använd inte starka eller slipande rengöringsmedel.

- Rengör produkten med en torr trasa, vid behov.
- Använd tryckluft eller en borste för att rengöra svåråtkomliga områden.

6.1.1 Att rengöra magasinet för fästen

Problem med drift och matning av fästen kan bero på limrester från spikarna. Rengör området runt drivmekanismen för att förhindra problem.

- 1 Dra tillbaka magasinetslocket och ta bort fästena.
- 2 Applicera luftverktogsolja på en ren trasa och torka bort alla limrester inuti magasinet.

7 Kassering

- Se till att du följer lokala bestämmelser när du kasserar produkten. Bränn inte produkten.

8 Underhåll

⚠ Varning! Endast godkänd personal får utföra reparationer på produkten.

- Elverktyg får endast underhållas av kvalificerad personal som använder reservdelar som är identiska med originalet. Detta säkerställer att elverktyget förblir säkert att använda.

9 Tekniska data

Specifikation	Värde
Märkspänning	18 V DC, 2 Ah
Avfyrningsfrekvens	60/ min
Magasin	100 bitar
Avfyring per laddning	700
Laddtid	45 min
Vikt	2,8 kg
Typ av fästen	Spikar 18 GA Häftklamrar 18 GA 1/4"
Längd på fästen	Spikar 5/8" -2" Häftklamrar 16-40 mm
Bullernivåer	
Ljudtrycksnivå, L _{PA}	83 dB(A), K=3 dB
Ljudeffektnivå, L _{WA}	94 dB(A), K=3 dB
Vibrationsnivå ¹	2,2 m/s ² , K= 1,5m/s ²

⚠ Varning! Använd alltid hörselskydd!

⚠ Varning! Den faktiska vibrations- och bullernivån kan skilja sig från det angivna maxvärdet beroende på hur produkten används. Därför måste du avgöra vilka säkerhetsåtgärder som krävs för att skydda användaren, baserat på en beräkning av exponering under faktiska driftsförhållanden (med hänsyn till alla faser i arbetscykeln, t.ex. tiden när verktyget är avstängt och när det går på tomgång, utöver uppstartstiden).

¹ De angivna värdena för vibrationer och buller, som har uppmätts enligt en standardiserad testmetod, kan användas för att jämföra olika verktyg med varandra och för att få en preliminär bedömning av ljudexponeringen. Mätvärdena har fastställts i enlighet med SS-EN 60745-2-16 2010.

Innholdsfortegnelse

1 Introduksjon	19
1.1 Produktet.....	19
1.2 Tiltenkt bruk.....	19
1.3 Symboler	19
1.4 Produktoversikt.....	19
2 Sikkerhet	20
2.1 Sikkerhetsdefinisjoner	20
2.2 Generelle sikkerhetsadvarsler for elektroverktøy.....	20
2.3 Sikkerhet i arbeidsområdet.....	20
2.4 Elektrisk sikkerhet.....	20
2.5 Personlig sikkerhet.....	20
2.6 Bruk og stell av elektroverktøy	21
2.7 Bruk og vedlikehold av batteriverktøy	21
2.8 For å minimere støy- og vibrasjonseksposering.....	21
2.9 Sikkerhetsadvarsel for spikerpistoler.....	21
2.10 Instruksjoner for personlig sikkerhet	21
2.11 Sikkerhetsinstruksjoner for drift	22
3 Bruk	22
3.1 Ting å gjøre før bruk.....	22
3.2 Slik setter du inn og tar ut et batteri.....	22
3.3 Slik justerer du belteklipset	22
3.4 Legge inn festemidler.....	22
3.5 Slik fjerner du festeanordninger.....	23
3.6 Slik fjerner du blokkerte festemidler	23
3.7 Slik justerer du festedybden.....	23
3.8 Slik kontrollerer du sikkerhetsspissen.....	23
3.9 Slik justerer du avfyringsmodus.....	23
3.10 Statusindikator	23
3.11 For å bruke produktet ved kalde temperaturer	23
4 Transport	24
5 Oppbevaring	24
6 Vedlikehold	24
6.1 Rengjøring av produktet.....	24
7 Avhending	24
8 Service	24
9 Tekniske data	24

1 Introduksjon

1.1 Produktet

Produktet er en batteridrevet spikerpistol med 2 forskjellige avfyringsmoduser. Produktet er en del av Meecc Tools Multiseries 18 V. Batteri og batterilader er ikke inkludert.

1.2 Tiltenkt bruk

Produktet brukes til å feste ulike materialer på treoverflater og andre aktuelle materialer, for eksempel papir, isolasjon, lær eller byggeplast. Kun til husholdningsbruk.

1.3 Symboler

	Les bruksanvisningen nøye og forsikre deg om at du har forstått den før du tar produktet i bruk. Ta vare på bruksanvisningen til senere bruk.
	Bruk øyebeskyttelse.
	Bruk hørselvern.
	Dette produktet er i samsvar med gjeldende EU-direktiver og -forskrifter.
	Gjenvinnes som elektrisk avfall.

1.4 Produktoversikt

Figur 1

1. Dybdejustering
2. LED-arbeidslys
3. Strømvavtrekkeren
4. Håndtak
5. Batteriport
6. Belteklips
7. Magasinutløserknapp (på den andre siden)
8. Innstillingsbryter
9. Statusindikator
10. Magasin
11. Sikkerhetspute
12. Sikkerhetstips

2 Sikkerhet

2.1 Sikkerhetsdefinisjoner

⚠ Advarsel! Hvis du ikke følger disse instruksjonene, er det fare for død eller personskade.

⚠ Forsiktig! Hvis du ikke følger disse instruksjonene, er det fare for skade på produktet, annet materiell eller på omgivelsene.

Merk! Informasjon som er nødvendig i en gitt situasjon.

2.2 Generelle sikkerhetsadvarsler for elektroverktøy

⚠ Advarsel! Hvis du ikke følger disse instruksjonene er det fare for død eller skade.

⚠ Advarsel! Les alle sikkerhetsadvarsler og alle instruksjoner. Unnlatelse av å følge alle advarsler og instruksjoner kan føre til elektrisk støt, brann og/eller alvorlig skade.

⚠ Advarsel! Oppbevar alle advarsler og instruksjoner for fremtidig referanse. Begrepet "elektrisk verktøy" i advarslene refererer til ditt nettdrevne (ledningsbaserte) elektroverktøy eller batteridrevne (trådløse) elektroverktøy.

Merk! Produktet er batteriutstyrt, se brukerhåndbøkene for batteriet og laderen for sikkerhetsinformasjon.

2.3 Sikkerhet i arbeidsområdet

- Hold arbeidsområdet ryddig og godt opplyst. Ulykker forekommer oftere på rotete eller mørke områder.
- Ikke bruk elektroverktøy i eksplosive atmosfærer, for eksempel i nærvær av brennbare væsker, gasser eller støv. Elektroverktøy lager gnister som kan antenne støv eller røyk.
- Hold barn og tilskuere unna mens du bruker et elektroverktøy. Distraksjoner kan føre til at du mister kontrollen.

2.4 Elektrisk sikkerhet

- El-verktøypluggen må passe til stikkkontakten. Modifiser aldri støpselet på noen måte. Ikke bruk noen adapterpluggen med jordet elektroverktøy. Umodifiserte støpsler og matchende stikkontakter vil redusere risikoen for elektrisk støt.
- Unngå kroppskontakt med jodede overflater, som rør, radiatorer, komfyrer og kjøleskap. Det er en økt risiko for elektrisk støt hvis kroppen din er jordet.

- Ikke utsett elektroverktøy for regn eller våte forhold. Vann som kommer inn i et elektroverktøy vil øke risikoen for elektrisk støt.
- Ikke skad ledningen. Bruk aldri ledningen til å bære, trekke eller koble fra elektroverktøyet. Hold ledningen unna varme, olje, skarpe kanter og bevegelige deler. Skadede eller sammenfiltrede strømledninger øker risikoen for elektrisk støt.
- Når du bruker elektroverktøyet utendørs, må du bruke en skjøteledning som er egnet for utendørs bruk. Bruk av en ledning som er egnet for utendørs bruk reduserer risikoen for elektrisk støt.
- Hvis du ikke kan unngå å bruke elektroverktøyet i fuktige omgivelser, må du bruke et uttak med jordfeilbryter (RCD). Bruk av en jordfeilbryter reduserer risikoen for elektrisk støt.

2.5 Personlig sikkerhet

- Vær på vakt, se hva du gjør og bruk sunn fornuft når du bruker et elektroverktøy. Ikke bruk et elektroverktøy mens du er trøtt eller påvirket av narkotika, alkohol eller medisiner. Et øyeblikks uoppmerksomhet mens du bruker elektroverktøy kan føre til alvorlig personskade.
- Bruk personlig verneutstyr. Bruk alltid øyevern.
- Verneutstyr som støvmaske, skliskre vernesko, hjelm eller hørselsvern som brukes for passende forhold vil redusere personskader.
- Forhindre utilsiktet start. Sørg for at bryteren er i av-posisjon før du kobler til strømkilden og/eller batteripakken, plukker opp eller bærer verktøyet. Å bære elektroverktøy med fingeren på bryteren eller å sette strøm på elektroverktøy som har bryteren på, inviterer til ulykker.
- Fjern eventuell justeringsnøkkel eller skiftenøkkel før du slår på elektroverktøyet. En skiftenøkkel eller en nøkkel som er festet til en roterende del av elektroverktøyet kan føre til personskade.
- Ikke len deg over. Hold riktig fotfeste og balanse til enhver tid. Dette gir bedre kontroll over elektroverktøyet i uventede situasjoner.
- Kle deg skikkelig. Ikke bruk løse klær eller smykker. Hold hår, klær og hansker unna bevegelige deler. Løse klær, smykker eller langt hår kan sette seg fast i bevegelige deler.
- Hvis det leveres enheter for tilkobling av støvavsug og oppsamlingsanlegg, sørg for at disse er tilkoblet og riktig brukt. Bruk av støvoppsamling kan redusere støvrelaterte farer.

- Ikke la kjennskap oppnådd ved hyppig bruk av verktøy tillate deg å bli selvtilfreds og ignorere prinsipper for verktøysikkerhet. En uforsiktig handling kan forårsake alvorlig skade i løpet av en brøkdell av et sekund.

2.6 Bruk og stell av elektroverktøy

- Ikke overbelast elektroverktøyet. Bruk riktig elektroverktøy for din bruk. Riktig elektroverktøy vil gjøre jobben bedre og sikrere med den hastigheten det ble designet for.
- Ikke bruk elektroverktøyet hvis bryteren ikke slår det av og på. Ethvert elektroverktøy som ikke kan kontrolleres med bryteren er farlig og må repareres.
- Koble støpselet fra strømkilden og/eller fjern batteripakken fra elektroverktøyet før du foretar justeringer, skifter tilbehør eller setter elektroverktøyet til oppbevaring. Slike forebyggende sikkerhetstiltak reduserer risikoen for å starte elektroverktøyet ved et uhell.
- Oppbevar inaktivt elektroverktøy utilgjengelig for barn, og la ikke personer som ikke er kjent med elektroverktøyet eller disse instruksjonene bruke elektroverktøyet. Elektroverktøy er farlig i hendene på utrente brukere.
- Vedlikehold elektroverktøy og tilbehør. Sjekk for feiljustering eller hindring av bevegelige deler, brudd på deler og andre forhold som kan påvirke elektroverktøyet funksjon. Hvis det er skadet, få elektroverktøyet reparert før bruk. Mange ulykker er forårsaket av dårlig vedlikeholdt elektroverktøy.
- Bruk elektroverktøyet, tilbehør og verktøybits etc. i samsvar med disse instruksjonene, og ta hensyn til arbeidsforholdene og arbeidet som skal utføres. Bruk av elektroverktøyet til andre operasjoner enn det som er tiltenkt, kan føre til en farlig situasjon.
- Hold håndtak og gripeflater tørre, rene og fri for olje og fett. Glatte håndtak og gripeflater tillater ikke sikker håndtering og kontroll av verktøyet i uventede situasjoner.

2.7 Bruk og vedlikehold av batteriverktøy

- Lad kun med lader som er spesifisert av produsenten. En lader som er egnet for én type batteripakke kan skape brannfare når den brukes med en annen batteripakke.
- Bruk kun elektroverktøy med spesifikt utpekte batteripakker. Bruk av andre batteripakker kan skape risiko for skade og brann.

2.8 For å minimere støy- og vibrasjonseksponering

- Planlegg arbeidet slik at eksponering for tunge vibrasjoner spres over en lengre periode.
- For å redusere støy og vibrasjoner når det er i bruk, begrenst tiden verktøyet er i bruk, og bruk lav effekt/vibrasjonsmodus og egnet sikkerhetsutstyr.
- Ta følgende forholdsregler for å minimere risikoen for eksponering for vibrasjoner og/eller støy:
 - Kontroller at verktøyet er i god stand.
 - Bruk kun tilbehør som er i god stand og egnet for jobben.
 - Hold et fast grep om håndtaket/grepene.

2.9 Sikkerhetsadvarsel for spikerpistoler

- Vær forsiktig når du flytter produktet. Gå alltid ut fra at produktet er lastet med festemidler. Feil håndtering av produktet kan føre til utilsiktet avfiring og personskader.
- Ikke rett produktet mot deg selv, andre personer eller dyr. Utilsiktet avfiring av festemidler kan forårsake alvorlige personskader.
- Hold fingre og kroppsdeler borte fra produktets utløpsport.
- Sikre arbeidsstykket med festeanordning hvis det er nødvendig for å forhindre personskade.
- Ikke bruk produktet med mindre det er tett presset mot arbeidsstykket. Feil bruk av produktet kan føre til ukontrollert utskyting av festemidler og forårsake personskader.
- For å unngå utilsiktet avfiring og personskader må du stoppe produktet og ta ut batteriet før du fyller magasinet med festemidler.
- Vær forsiktig når du løser blokkerte festeanordninger. Magasinet kan være spent, og festemiddelet kan plutselig skyte ut med kraft når du prøver å løsne det.
- Ikke bruk produktet til å feste elektriske kabler. Spikerpistoler er ikke egnet for elektrisk installasjonsarbeid fordi de kan skade kabelisolasjonen og forårsake elektrisk støt eller brann.

2.10 Instruksjoner for personlig sikkerhet

- Løse arbeidsstykker må alltid sikres.

- Vent alltid til produktet har stoppet helt før du legger det fra deg. Produktet kan sette seg fast og føre til at du mister kontrollen.

2.1 Sikkerhetsinstruksjoner for drift

- Les og følg advarselsinstruksjonene før bruk.
- Ikke bruk produktet hvis du er trøtt, syk eller beruset. Dette vil redusere synet, årvåkenheten, koordinasjonen og dømmekraften.
- Ikke la barn eller personer som ikke vet hvordan de skal betjene produktet, bruke det.
- Ikke bruk produktet hvis det er skadet.
- Ikke gjør endringer på produktet.
- Bruk produktet kun til det som det er beregnet til.

2.1.1 Gjenværende risiko

Det vil alltid være gjenværende risiko selv om du bruker produktet i henhold til instruksjonene.

Følgende farer kan oppstå i forbindelse med typen og utformingen av dette elektroverktøyet:

- Hørselsskader hvis hørselsvern ikke brukes.
- Helse-skader som følge av effekten av vibrasjoner på hender og armer når produktet brukes over lengre tid eller når det ikke brukes og vedlikeholdes riktig.
- Fare på grunn av elektromagnetisk felt som genereres mens maskinen er i drift. Under visse omstendigheter kan dette feltet påvirke aktive eller passive medisinske implantater negativt.
- For å redusere faren for alvorlige eller dødelige skader, anbefales det at personer som bruker medisinske implantater bør konsultere legen sin og produsenten av implantatet før de bruker maskinen.

3 Bruk

3.1 Ting å gjøre før bruk

⚠ Advarsel! Før hver bruk må du kontrollere den valgte modusen for å unngå fare for personskade.

3.2 Slik setter du inn og tar ut et batteri

⚠ Forsiktig! Kontroller at batteriet er riktig festet. Hvis batteriet løsner, kan det forårsake personskade.

⚠ Forsiktig! Ikke tving batteriet på plass. Hvis det ikke er lett å feste, er det ikke riktig justert.

3.2.1 Slik kobler du til et batteri

Figur 2

- 1 Juster batteriet til sporene i dekselet.
- 2 Skyv batteriet inn til du hører et klikk.

3.2.2 Slik tar du ut et batteri

- 1 Trykk på knappen foran på batteriet.
- 2 Trekk batteriet ut av batteriholderen.

3.3 Slik justerer du belteklipset

Belteklipset kan festes på venstre eller høyre side av produktet.

Figur 3

- 1 Fjern skruen med en skrutrekker.
- 2 Sett belteklipset i egnet posisjon.
- 3 Fest belteklipset og stram til skruen.

3.4 Legge inn festemidler

⚠ Advarsel! Kontroller at batteriet ikke er montert.

⚠ Advarsel! Ikke rett produktet mot deg selv eller andre personer når du lader produktet, det kan føre til personskader.

⚠ Advarsel! Sørg for at avtrekkeren eller låsemekanismen ikke aktiveres når du lader produktet, da det er fare for personskader.

⚠ Forsiktig! Bruk kun festemidler som er anbefalt av produsenten. Bruk av andre festemidler kan føre til personskader eller materielle skader. Se "[9 Tekniske data](#)" på side 24.

- 1 Trykk på låseknappen. (Figur 4)
 - 2 Trekk tilbake magasindekselet. (Figur 5)
 - 3 Sett festene i magasinet.
 - 4 Skyv magasindekselet fremover til det klikker på plass. Sørg for at den er riktig festet.
- Når du fyller magasinet med spikerfester, må spikertuppen peke nedover og settes mot magasinet underkant.

- Når du fyller i magasinet med stifter, må du sette toppen av stiftene mot magasinet overkant.

3.5 Slik fjerner du festeanordninger

⚠ Advarsel! Kontroller at batteriet ikke er montert.

⚠ Advarsel! Fjern festemidlene fra magasinet før produktet settes bort.

- 1 Trykk på låseknappen. (Figur 4)
- 2 Trekk tilbake magasindekselet.
- 3 Fjern festemidlene fra magasinet.
- 4 Skyv magasindekselet fremover til det klikker på plass. Sørg for at den er riktig festet.

3.6 Slik fjerner du blokkerte festemidler

⚠ Advarsel! Kontroller at batteriet ikke er montert.

⚠ Forsiktig! Produktet vil ikke starte hvis avfyrimekanismen er blokkert.

- 1 Trykk på låseknappen. (Figur 4)
- 2 Trekk tilbake magasindekselet.
- 3 Fjern det blokkerte festemiddelet. Bruk om nødvendig en spiker eller en annen gjenstand for å fjerne festemiddelet.

3.7 Slik justerer du festedybden

Merk! Harde materialer og lange spiker vil kreve mer kraft for å skyte inn spikeren.

Figur 6

- Vri justeringsbryteren mot venstre for å øke arbeidsdybden.
- Vri justeringsbryteren mot høyre for å redusere arbeidsdybden.

Merk! Gjør en test på et arbeidsstykke for å finne den aktuelle dybden.

3.8 Slik kontrollerer du sikkerhetsspissen

⚠ Advarsel! Kontroller sikkerhetsspissen før hver bruk. Ikke bruk produktet hvis sikkerhetsspissen er skadet.

- Sikkerhetsspissen må kunne bevege seg fritt. Sørg for at den går tilbake til helt utskutt posisjon etter at den er skjøvet inn.

3.8.1 Slik bytter du sikkerhetsputen

⚠ Advarsel! Forsikre deg om at batteriet ikke er tilkoblet før du fjerner eller skifter ut sikkerhetsputen, da det er fare for alvorlige personskader.

- Sikkerhetsputen forhindrer merke og skader på arbeidsstykket.
- 1 Trekk sikkerhetsputen ut av sikkerhetsspissen, og fest den nye sikkerhetsputen.

3.9 Slik justerer du avfyrimodus

⚠ Advarsel! Ikke forsøk å bruke produktet med mindre utløpet for festemidlene er satt tett mot arbeidsstykket.

Figur 7

3.9.1 Enkeltskuddsmodus

Denne modusen kan brukes til enkel og nøyaktig plassering av festemidler.

- Flyttodusvelgeren til venstre posisjon. Avtrekkeren må trykkes inn hver gang du skal skyte et festemiddel når enkeltskuddsmodusen er valgt.

Merk! Sikkerhetstuppen og avtrekkeren må trykkes ned for å bruke produktet.

3.9.2 Kontaktmodus

Denne modusen er egnet for raske og repeterende skytinger.

- Flyttodusvelgeren til høyre posisjon. I kontaktmodus skytes et festemiddel hver gang sikkerhetsspissen trykkes ned mot arbeidsstykket mens avtrekkeren holdes inne.

3.10 Statusindikator

Statusindikatoren blinker når batterinivået er lavt, magasinet er tomt eller hvis et festemiddel er blokkert.

3.11 For å bruke produktet ved kalde temperaturer

Merk! Den kalde temperaturen kan ha en negativ effekt på batteriets ytelse og levetid.

- Hold produktet så varmt som mulig før bruk.
- Test produktet på et arbeidsstykke 5-6 ganger før bruk.

4 Transport

- La produktet stoppe helt og ta ut batteriet før du transporterer produktet.

5 Oppbevaring

- Dersom produktet ikke skal brukes over en lengre periode, demonter batteriet og oppbevar produktet på et rent og tørt sted utilgjengelig for barn og kjæledyr.

6 Vedlikehold

⚠ Forsiktig! Stopp produktet og ta ut batteriet før du utfører vedlikehold.

6.1 Rengjøring av produktet

⚠ Forsiktig! Ikke bruk sterke rengjøringsmidler eller slipende rengjøringsmidler for å unngå skader på overflaten av produktet.

- Rengjør produktet ved behov med en tørr klut.
- Bruk trykkluft eller en børste for å rengjøre vanskelig tilgjengelige områder.

6.1.1 Slik rengjør du magasinet for festemidler

Problemer ved bruk og mating av festemidler kan skyldes limrester fra spikerstripene. Rengjør området rundt drivmekanismen for å forhindre problemer.

- 1 Trekk tilbake magasindekselet og fjern festemidlene.
- 2 Påfør olje for trykkluftverktøy på en ren klut og tørk vekk alle limrester inne i magasinet.

7 Avhending

- Følg lokale forskrifter når du avhender produktet. Produktet må ikke brennes.

8 Service

⚠ Advarsel! Kun godkjent personell må utføre reparasjoner på produktet.

- Service på elektroverktøy må kun utføres av kvalifisert personell som bruker identiske reservedeler. Dette vil sikre at elektroverktøyet forblir trygt å bruke.

9 Tekniske data

Spesifikasjoner	Verdi
Nominell spenning	18 V DC, 2 Ah
Avfyringsfrekvens	60/ min
Magasin	100 stk.
Avfyring per lading	700
Ladetid	45 min
Vekt	2,8 kg
Type festemidler	Spiker 18 GA Stifter 18 GA 1/4"
Lengde på festemidlene	Spiker 5/8" -2" Stifter 16-40 mm
Støynivåer	
Lydtryknivå, L _{pA}	83 dB(A), K=3 dB
Lydeffektnivå, L _{WA}	94 dB(A), K=3 dB
Vibrasjonsnivå ¹	2,2 m/s ² , K=1,5 m/s ²

⚠ Advarsel! Bruk alltid hørselvern!

⚠ Advarsel! Det faktiske vibrasjons- og støynivået ved bruk av verktøy kan avvike fra den angitte maksimalverdien, avhengig av hvordan verktøyet brukes og materialet. Det er derfor nødvendig å bestemme hvilke sikkerhetstiltak som kreves for å beskytte brukeren, basert på et estimat av eksponering under faktiske driftsforhold (som tar i betraktning alle stadier av arbeidssyklusen, for eksempel når verktøyet er slått av og når det er tomgang, i tillegg til oppstartstiden).

¹ De deklarete verdiene for vibrasjon og støy, som er målt i henhold til en standardisert testmetode, kan brukes til å sammenligne forskjellige verktøy med hverandre og for en foreløpig vurdering av eksponering. Måleverdiene er fastsatt i henhold til EN 60745-2-16:2010.

Indholdsfortegnelse

1 Indledning	25
1.1 Produktet.....	25
1.2 Anvendelse.....	25
1.3 Symboler	25
1.4 Produktoversigt.....	25
2 Sikkerhed	26
2.1 Sikkerhedsdefinitioner	26
2.2 Generelle sikkerhedsadvarsler for elværktøj.....	26
2.3 Sikkerhed i arbejdsområdet	26
2.4 Elektrisk sikkerhed	26
2.5 Personlig sikkerhed	26
2.6 Brug og vedligehold af elværktøj.....	27
2.7 Brug og vedligehold af batteriværktøj	27
2.8 Sådan minimeres støj og vibrationer	27
2.9 Sikkerhedsadvarsel for søm-/hæftepistoler..	27
2.10 Yderligere sikkerhedsanvisninger.....	28
2.11 Sikkerhedsanvisninger for brug.....	28
3 Brug	28
3.1 Følgende skal gøres før hver brug	28
3.2 Sådan monteres og afmonteres batteriet.....	28
3.3 Sådan justeres bælteclipsen.....	28
3.4 Sådan kommes søm-/hæfteklammer i produktet	28
3.5 Sådan fjernes søm/hæfteklammer	29
3.6 Sådan fjernes fastsiddende søm/hæfteklammer.....	29
3.7 Sådan justeres arbejdsdybden	29
3.8 Sådan kontrolleres sikkerhedsspidsen	29
3.9 Sådan justeres affyringsmåden	29
3.10 Rød statusindikator	29
3.11 Sådan bruges produktet ved kolde temperaturer	30
4 Transport	30
5 Opbevaring	30
6 Vedligeholdelse	30
6.1 Sådan rengøres produktet	30
7 Bortskaffelse	30
8 Service	30
9 Tekniske data	30

1 Indledning

1.1 Produktet

Produktet er en batteridrevet søm-/hæftepistol med 2 forskellige affyringsmåder. Produktet er en del af Meech Tools Multiseries 18 V. Søm, hæfteklammer, batteri og batterioplader medfølger ikke.

1.2 Anvendelse

Produktet bruges til at fastgøre forskellige materialer til træoverflader og andre materialer, fx papir, isolering, læder eller byggeplast. Kun til privat brug.

1.3 Symboler

	Læs betjeningsvejledningen omhyggeligt, og vær sikker på, du forstår den, før du tager produktet i brug. Gem betjeningsvejledningen til senere brug.
	Brug altid beskyttelsesbriller.
	Brug altid høreværn.
	Produktet overholder gældende EU-direktiver og -forordninger.
	Skal bortskaffes som elektronikaffald.

1.4 Produktoversigt

Figur 1

1. Dybdejustering
2. LED-arbejdslys
3. Startknap
4. Håndtag
5. Batteriport
6. Bælteklips
7. Knap til magasinudløser (på den anden side)
8. Indstillingsvælger
9. Statusindikator
10. Magasin
11. Beskyttelsespudd
12. Sikkerhedsspids

2 Sikkerhed

2.1 Sikkerhedsdefinitioner

⚠ Advarsel! Manglende overholdelse af disse anvisninger kan medføre død eller personskade.

⚠ Forsigtig! Manglende overholdelse af denne vejledning kan medføre skader på produktet, andre materialer eller det omgivende område.

Bemærk! Information der er nødvendig i bestemte situationer.

2.2 Generelle sikkerhedsadvarsler for elværktøj

⚠ Advarsel! Manglende overholdelse af disse anvisninger kan medføre død eller personskade.

⚠ Advarsel! Læs alle sikkerhedsadvarsler og -anvisninger. Manglende overholdelse af advarsler og anvisninger kan medføre elektrisk stød, brand og/eller alvorlig personskade.

⚠ Advarsel! Gem alle advarsler og anvisninger til senere brug. Udtrykket "elværktøj" i advarslerne henviser til elværktøj, der er tilsluttet elnettet (med ledning), eller batteridrevet elværktøj (uden ledning).

Bemærk! Produktet er batteridrevet, se brugervejledningerne for batteriet og opladeren for sikkerhedsoplysninger.

2.3 Sikkerhed i arbejdsområdet

- Arbejdsområdet skal holdes rent og godt oplyst. Rodede eller mørke områder øger risikoen for ulykker.
- Brug ikke elværktøj i eksplosive miljøer, fx i nærheden af brandfarlig væske, gas eller støv. Elværktøj danner gnister, som kan antænde støv eller damp.
- Hold børn og omkringstående på afstand, når elværktøjet er i brug. Uopmærksomhed kan føre til, at man mister kontrollen med værktøjet.

2.4 Elektrisk sikkerhed

- Elværktøjets stik skal passe til stikkontakten. Undgå at ændre på stikket. Brug ikke adapterstik sammen med jordet elværktøj. Intakte stik og matchende stikkontakter reducerer risikoen for elektrisk stød.
- Undgå kropskontakt med jordede overflader som fx rør, radiatorer, komfurer og køleskabe. Der er en øget risiko for elektrisk stød, hvis kroppen er jordet.

- Undgå at udsætte elværktøj for regn eller fugt. Hvis der trænger vand ind i elværktøj, øges risikoen for elektrisk stød.
- Ledningen må ikke bruges til andet end det, den er beregnet til. Brug aldrig ledningen til at bære eller trække i elværktøjet eller til at trække stikket ud af stikkontakten. Hold ledningen væk fra varme, olie, skarpe kanter eller bevægelige dele. Beskadigede eller sammenfildrede ledninger øger risikoen for elektrisk stød.
- Når du bruger elværktøj udendørs, skal du bruge en forlængerledning, der er beregnet til udendørs brug. Brug af en ledning, der er beregnet til udendørs brug, reducerer risikoen for elektrisk stød.
- Hvis du ikke kan undgå at bruge elværktøjet i fugtige omgivelser, skal du bruge en fejlstrømsafbryder. Brug af fejlstrømsafbryder mindsker risikoen for elektrisk stød.

2.5 Personlig sikkerhed

- Vær opmærksom, hold øje med, hvad du laver, og brug din sunde fornuft, når du bruger elværktøj. Undgå at bruge elværktøj, hvis du er træt eller påvirket af stoffer, alkohol eller medicin. Et øjeblikvis uopmærksomhed under brug af elværktøj kan medføre alvorlig personskade.
- Brug personlige værnemidler. Brug altid beskyttelsesbriller.
- Værnemidler som støvmaske, skridsikre sikkerhedssko, hjelm eller høreværn, afhængigt af forholdene, vil mindske risikoen for personskade.
- Undgå, at værktøjet starter utilsigtet. Sørg for, at afbryderen er i slukket position, før du tilslutter strømkilden og/eller batteripakken, samler værktøjet op eller bærer det. Risikoen for ulykker øges, hvis elværktøjet bæres med fingeren på afbryderen, eller der sættes strøm til elværktøj, mens afbryderen er i tændt position.
- Fjern eventuelle skruenøgler og lignende, før elværktøjet startes. Skruenøgler og lignende, der sidder på en roterende del på elværktøjet, kan forårsage personskade.
- Undgå at strække dig for meget. Sørg for altid at have godt fodfæste og god balance. Det giver bedre kontrol over elværktøjet i uventede situationer.
- Brug egnet tøj. Undgå at være iført løstsiddende tøj eller smykker. Sørg for, at hår, tøj og handsker ikke kommer i kontakt med bevægelige dele. Løstsiddende tøj, smykker eller langt hår kan sidde fast i bevægelige dele.
- Hvis elværktøjet kan tilsluttes støvudsugning og -opsamling, skal du sikre, at det tilsluttes og bruges korrekt. Brug af støvopsamling kan reducere risici forbundet med støv.

- Selvom du har erfaring med hyppig brug af værktøj, skal du stadig være varsom og huske på værktøjets sikkerhedsanvisninger. Uforsigtighed kan forårsage alvorlige skader i løbet af en brøkdæl af et sekund.

2.6 Brug og vedligehold af elværktøj

- Brug ikke magt, når du betjener elværktøjet. Brug det rigtige elværktøj til opgaven. Det rigtige elværktøj vil gøre arbejdet bedre og sikrere med den hastighed, det er beregnet til.
- Brug ikke elværktøjet, hvis det ikke kan tændes og slukkes med afbryderen. Elværktøj, der ikke kan styres med afbryderen, er farligt og skal repareres.
- Tag stikket ud af strømkilden og/eller batteripakken ud af elværktøjet, før du foretager justeringer, skifter tilbehør eller opbevarer elværktøjet. Disse forebyggende sikkerhedsforanstaltninger reducerer risikoen for, at elværktøjet startes ved et uheld.
- Elværktøj, som ikke er i brug, skal opbevares utilgængeligt for børn. Lad ikke personer, der ikke er fortrolige med elværktøjet eller har læst betjeningsvejledningen, betjene elværktøjet. Elværktøj er farligt i hænderne på uerfarne brugere.
- Vedligehold elværktøj og tilbehør. Kontroller, at de bevægelige dele ikke er forkert justeret eller sidder fast, at der er ikke brud på dele, og at der ikke er andre forhold, der kan påvirke elværktøjets funktion. Hvis elværktøjet er beskadiget skal det repareres før brug. Mange ulykker skyldes dårligt vedligeholdt elværktøj.
- Brug elværktøjet, tilbehøret og værktøjsbits osv. i overensstemmelse med denne betjeningsvejledning og under hensyntagen til arbejdsforholdene og det arbejde, der skal udføres. Det kan være farligt at bruge elværktøj til andet end det tilsigtede formål.
- Hold håndtag og grebsflader tørre, rene og fri for olie og fedt. Glatte håndtag og grebsflader gør det vanskeligt at håndtere og styre værktøjet sikkert i uventede situationer.

2.7 Brug og vedligehold af batteriværktøj

- Brug kun den oplader, der anbefales af producenten. Der kan opstå brandfare, hvis en oplader, der er beregnet til en bestemt type batteri, anvendes til en anden batteritype.
- Brug kun elværktøj med de dertil beregnede batteripakker. Brug af andre batteripakker kan medføre personskade og brand.

2.8 Sådan minimeres støj og vibrationer

- Planlæg arbejdet, så eksponering for kraftige vibrationer spredes over en længere periode.
- For at reducere støj og vibrationer under brug skal tiden, værktøjet er i brug, begrænses, og der skal arbejdes med lav effekt/vibration og bruges behørigt sikkerhedsudstyr.
- Overhold følgende forholdsregler for at minimere risikoen for at blive udsat for vibrationer eller støj:
- Kontroller, at værktøjet er i god stand.
- Brug kun tilbehør, der er i god stand og passer til opgaven.
- Hold godt fast i håndtagene/grebene.

2.9 Sikkerhedsadvarsel for søm-/hæftepistoler

- Vær forsigtig, når du flytter produktet. Tænk altid på, at produktet er fyldt med søm/hæfteklammer. Forkert håndtering af produktet kan medføre utilsigtet affyring og skader.
- Vend produktet væk fra dig selv, andre personer og dyr. Utilsigtet affyring af søm/hæfteklammer kan forårsage alvorlig personskade.
- Hold fingre og kroppsdele væk fra produktets udgangsport.
- Fastgør om nødvendigt arbejdsemnet en skruetvinge for at forhindre skader.
- Brug ikke produktet, medmindre det er trykket tæt ned mod arbejdsemnet. Forkert brug af produktet kan medføre ukontrolleret udskydning af søm/hæfteklammer og forårsage personskade.
- For at forhindre utilsigtet brug og skader skal du slukke produktet og tage batteriet ud, før du kommer søm/hæfteklammer i magasinet.
- Vær forsigtig, når du løsner søm/hæfteklammer, der sidder fast. Magasinet kan være spændt, og sømmet/hæfteklammen kan pludselig skyde ud med kraft, når du prøver at løse det.
- Brug ikke produktet til at fastgøre elektriske kabler. Søm-/hæftepistoler er ikke egnede til elektrisk installationsarbejde, fordi de kan beskadige kabelisoleringen og forårsage elektrisk stød eller brand.

2.10 Yderligere sikkerhedsanvisninger

- Løse arbejdsemner skal altid fastgøres.
- Vent altid, til produktet er standset helt, før du lægger det fra dig. Produktet kan sætte sig fast, så du mister kontrollen.

2.11 Sikkerhedsanvisninger for brug

- Læs og følg advarslerne før brug.
- Brug ikke produktet, hvis du er træt, syg eller påvirket. Det vil påvirke dit syn, din opmærksomhed, din koordination og din dømmekraft.
- Lad ikke børn eller personer, der ikke kender produktet, bruge det.
- Brug ikke produktet, hvis det er beskadiget.
- Foretag ikke ændringer på produktet.
- Brug kun produktet til den angivne funktion.

2.11.1 Restrisiko

Der vil altid være restrisici, selv om produktet bruges i overensstemmelse med anvisningerne.

Følgende farer kan opstå i forbindelse med elværktøj af denne type og design:

- Høreskade, hvis man ikke bruger høreværn.
- Skade på helbredet som følge af vibrationernes påvirkning af hænder og arme, når produktet anvendes over længere tid, eller når det ikke anvendes og vedligeholdes korrekt.
- Fare på grund af det elektromagnetiske felt, der dannes, mens maskinen er i brug. Under visse omstændigheder kan dette felt påvirke aktive eller passive medicinske implantater negativt.
- For at mindske faren for alvorlige eller dødelige skader anbefales det, at personer, der har medicinske implantater, rådfører sig med deres læge og producenten af implantatet før brug af maskinen.

3 Brug

3.1 Følgende skal gøres før hver brug

⚠ Advarsel! Før hver brug skal du kontrollere den valgte tilstand for at forhindre risikoen for skader.

3.2 Sådan monteres og afmonteres batteriet

⚠ Forsigtig! Sørg for, at batteriet sidder korrekt. Hvis batteriet løsner sig, kan det forårsage personskade.

⚠ Forsigtig! Tving ikke batteriet på plads. Hvis det ikke er let at montere, er det ikke placeret korrekt.

3.2.1 Sådan monteres batteriet

Figur 2

- 1 Placer batteriets kontakter ud for åbningerne i skærmen.
- 2 Skub batteriet ind, indtil det klikker på plads.

3.2.2 Sådan afmonteres batteriet

- 1 Tryk på knappen på forsiden af batteriet.
- 2 Træk batteriet ud ad batteriporten.

3.3 Sådan justeres bælteclipsen

Bælteclipsen kan sættes fast på venstre eller højre side af produktet.

Figur 3

- 1 Fjern skruen med en skruetrækker.
- 2 Sæt bælteclipsen i den ønskede position.
- 3 Sæt bælteclipsen på, og spænd skruen.

3.4 Sådan kommes søm/hæfteklammer i produktet

⚠ Advarsel! Sørg for, at batteriet ikke er sat i.

⚠ Advarsel! Vend produktet væk fra dig selv eller andre personer, når du kommer søm/hæfteklammer i produktet. Det kan medføre skader.

⚠ Advarsel! Sørg for, at aftrækkeren eller låsemekanismen ikke aktiveres, når du kommer søm/hæfteklammer i produktet, da der er risiko for skader.

⚠ Forsigtig! Brug kun søm/hæfteklammer, der anbefales af producenten. Brug af andre søm/hæfteklammer kan forårsage personskade eller materielle skader. Se "9 Tekniske data" på side 30.

- 1 Tryk på låseknappen. (Figur 4)
- 2 Træk magasinåkslet tilbage. (Figur 5)
- 3 Kom søm/hæfteklammer i magasinet.
- 4 Skub magasinåkslet fremad, indtil det klikker på plads. Sørg for, at det er korrekt låst.

- Når du kommer søm i magasinet, skal spidsen af sømme pege nedad og være placeret mod magasinets nederste kant.
- Når du sætter hæftelammer i magasinet, skal du sætte toppen af hæftelammerne mod magasinets øverste kant.

3.5 Sådan fjernes søm/hæftelammer

⚠ Advarsel! Sørg for, at batteriet ikke er sat i.

⚠ Advarsel! Tag søm/hæftelammer ud af magasinet, før produktet lægges væk.

- 1 Tryk på låseknappen. (Figur 4)
- 2 Træk magasindækslet tilbage.
- 3 Fjern sømmene/hæftelammerne fra magasinet.
- 4 Skub magasindækslet fremad, indtil det klikker på plads. Sørg for, at det er korrekt låst.

3.6 Sådan fjerner fastsiddende søm/hæftelammer

⚠ Advarsel! Sørg for, at batteriet ikke er sat i.

⚠ Forsigtig! Produktet starter ikke, hvis affyringsmekanismen er blokeret.

- 1 Tryk på låseknappen. (Figur 4)
- 2 Træk magasindækslet tilbage.
- 3 Fjern det søm/den hæftelamme, der sidder fast. Brug om nødvendigt et søm eller en anden genstand til at fjerne sømme/hæftelammen.

3.7 Sådan justeres arbejdsdybden

Bemærk! Hårde materialer og lange søm kræver større kraft.

Figur 6

- Drej justeringsknappen til venstre for at øge arbejdsdybden.
- Drej justeringsknappen til højre for at mindske arbejdsdybden.

Bemærk! Lav en test på et emne for at finde den rette dybde.

3.8 Sådan kontrolleres sikkerhedsspidsen

⚠ Advarsel! Kontroller sikkerhedsspidsen før hver brug. Brug ikke produktet, hvis sikkerhedsspidsen er beskadiget.

- Sikkerhedsspidsen skal kunne bevæge sig frit. Sørg for, at den vender tilbage til fuldt udtrykket position, når den har været skubbet ind.

3.8.1 Sådan skiftes beskyttelsespudder

⚠ Advarsel! Sørg for, at batteriet ikke er sat i, når du fjerner eller udskifter beskyttelsespudden, da der er risiko for alvorlig personskade.

- Beskyttelsespudden forhindrer mærker og skader på arbejdsemnet.

- 1 Træk beskyttelsespudden af sikkerhedsspidsen, og sæt den nye beskyttelsespudder på.

3.9 Sådan justeres affyringsmåden

⚠ Advarsel! Brug ikke produktet, medmindre udtaget til søm/hæftelammer holdes tæt mod arbejdsemnet.

Figur 7

3.9.1 Enkeltbetjening

Denne tilstand kan anvendes til enkelt og præcis placering af søm/hæftelammer.

- Flyt funktionsvælgeren til venstre position. Der skal trykkes på aftrækkeren hver gang for at skyde et søm/en hæftelamme i, når der er valgt enkeltstående brug.

Bemærk! Sikkerhedsspidsen skal trykkes ned og der skal trykkes på aftrækkeren for at bruge produktet.

3.9.2 Kontaktbetjening

Denne tilstand er praktisk til hurtig og gentagen brug.

- Flyt funktionsvælgeren til højre position. Ved kontaktbetjening skydes et fastgørelseselement, hver gang sikkerhedsspidsen trykkes ned mod emnet, mens der trykkes på aftrækkeren.

3.10 Rød statusindikator

Statusindikatoren blinker, når batteriniveaulet er lavt, magasinet er tomt, eller hvis et søm/en skrue sidder fast.

3.11 Sådan bruges produktet ved kolde temperaturer

Bemærk! Kolde temperaturer kan have en negativ effekt på batteriets ydeevne og levetid.

- Sørg for at holde produktet så varmt som muligt før brug.
- Test produktet på et emne 5-6 gange før brug.

4 Transport

- Lad produktet standse helt, og fjern batteriet, før du transporterer produktet.

5 Opbevaring

- Hvis produktet ikke skal bruges i længere tid, skal du tage batteriet ud og opbevare produktet på et rent og tørt sted utilgængeligt for børn og kæledyr.

6 Vedligeholdelse

⚠ Forsigtig! Stop produktet, og afmonter batteriet, før du udfører vedligeholdelse på produktet.

6.1 Sådan rengøres produktet

⚠ Forsigtig! Brug ikke kraftige rengøringsmidler eller slibemidler – det kan skade produktets overflade.

- Rengør eventuelt produktet med en tør klud.
- Brug trykluft eller en børste til at rengøre områder, der er svære at komme til.

6.1.1 Sådan renses magasinet for søm/hæfteklammer

Problemer med brug og fremføring af søm/hæfteklammer kan skyldes limrester fra sømstrimlerne. Rengør området omkring fremføringsmekanismen for at forhindre problemer.

- 1 Træk magasindækslet tilbage, og fjern søm/hæfteklammer.
- 2 Kom trykluftværktøjsolie på en ren klud, og rens alle limrester af inde i magasinet.

7 Bortskaffelse

- Følg de lokale regler ved bortskaffelse af produktet. Brænd ikke produktet.

8 Service

⚠ Advarsel! Produktet må kun repareres af autoriseret personale.

- Service på elværktøjet må kun udføres af autoriserede personer, der bruger originale reservedele. Dette vil sikre, at elværktøjet forbliver sikkert at bruge.

9 Tekniske data

Specifikation	Værdi
Nominel spænding	18 V DC/ 2 Ah
Affyringsfrekvens	60/min.
Magasin	100 stk.
Affyring pr. opladning	700
Opladningstid	45/min.
Vægt	2,8 kg
Type søm/hæfteklammer	Søm 18 GA
	Hæfteklammer 18 GA 1/4"
Længde på søm/hæfteklammer	Søm 5/8" -2"
	Hæfteklammer 16-40 mm
Støjniveau	
Lydtryksniveau, L_{pA}	83 dB(A), K=3 dB
Lydeffektniveau, L_{WA}	94 dB(A), K=3 dB
Vibrationsniveau ¹	2,2m/s ² , K=1,5m/s ²

⚠ Advarsel! Brug altid høreværn!

⚠ Advarsel! Det faktiske vibrations- og støjniveau ved brug af værktøj kan afvige fra den angivne maksimale værdi, afhængigt af hvordan værktøjet bruges og af materialet. Det er derfor nødvendigt at bestemme, hvilke sikkerhedsforanstaltninger der er nødvendige for at beskytte brugeren, baseret på et skøn over eksponering under faktiske arbejdsforhold (under hensyntagen til alle faser af arbejds cyklussen, fx den tid, hvor værktøjet er slukket, og hvor det kører i tomgang, ud over opstartstiden).

¹ De deklarerede værdier for vibrationer og støj, som er målt i henhold til en standardiseret testmetode, kan bruges til at sammenligne forskellige værktøjer med hinanden og til en foreløbig vurdering af eksponeringen. Måleværdierne er blevet fastsat i overensstemmelse med EN 60745-2-16:2010.

Spis treści

1 Wprowadzenie	31
1.1 Produkt.....	31
1.2 Przeznaczenie.....	31
1.3 Symbole.....	31
1.4 Przegląd produktu.....	31
2 Bezpieczeństwo	32
2.1 Definicje dotyczące bezpieczeństwa.....	32
2.2 Ogólne zasady bezpiecznej pracy z elektronarzędziem	32
2.3 Bezpieczeństwo w miejscu pracy.....	32
2.4 Bezpieczeństwo elektryczne.....	32
2.5 Bezpieczeństwo osobiste	32
2.6 Obsługa i czyszczenie elektronarzędzia	33
2.7 Obsługa i czyszczenie narzędzia zasilanego akumulatorowo.....	33
2.8 Ograniczenie narażenia na hałas i drgania.....	33
2.9 Ostrzeżenie dotyczące bezpiecznej pracy gwoździarką	33
2.10 Dodatkowe instrukcje bezpieczeństwa	34
2.11 Instrukcja bezpiecznej obsługi.....	34
3 Obsługa	34
3.1 Czynności do wykonania przed użyciem	34
3.2 Wkładanie i wyciąganie akumulatora.....	34
3.3 Mocowanie klipsa do paska.....	34
3.4 Ładowanie gwoździ	34
3.5 Wyciąganie gwoździ.....	35
3.6 Wyciąganie zablokowanych gwoździ	35
3.7 Regulacja głębokości wbijania.....	35
3.8 Kontrola zatyczki zabezpieczającej	35
3.9 Wybór trybu strzelania	35
3.10 Wskaźnik stanu	36
3.11 Używanie produktu w niskich temperaturach	36
4 Transport	36
5 Przechowywanie	36
6 Konserwacja	36
6.1 Czyszczenie produktu	36
7 Utylizacja	36
8 Serwisowanie	36
9 Dane techniczne	36

1 Wprowadzenie

1.1 Produkt

Produkt to gwoździarka akumulatorowa oferująca dwa tryby wbijania gwoździ. Produkt należy do serii Meecc Tools Multiseries 18 V. Gwoździe/zszywki, akumulator i ładowarka nie stanowią elementu zestawu.

1.2 Przeznaczenie

Produkt służy do mocowania różnych materiałów do powierzchni drewnianych i innych materiałów, na przykład do papieru, izolacji, skóry lub tworzyw sztucznych stosowanych w budownictwie. Tylko do użytku domowego.

1.3 Symbole

	Przed użyciem produktu należy dokładnie i ze zrozumieniem przeczytać tę instrukcję obsługi. Zachowaj instrukcję na przyszłość.
	Stosuj środki ochrony oczu.
	Używaj środków ochrony słuchu.
	Niniejszy produkt spełnia wymagania stosownych dyrektyw i rozporządzeń unijnych.
	Utylizować jak odpady elektryczne.

1.4 Przegląd produktu

Rysunek 1

1. Regulator głębokości
2. Oświetlenie robocze LED
3. Przełącznik zasilania
4. Uchwyt
5. Gniazdo akumulatora
6. Klips do paska
7. Przycisk zwalniania magazynka (po drugiej stronie)
8. Przycisk zmiany trybu
9. Wskaźnik stanu
10. Magazynek
11. Podkładka bezpieczeństwa
12. Zatyczka zabezpieczająca

2 Bezpieczeństwo

2.1 Definicje dotyczące bezpieczeństwa

⚠ Ostrzeżenie! W razie niestosowania się do niniejszej instrukcji zachodzi ryzyko śmierci lub obrażeń ciała.

⚠ Przewaga! W razie niestosowania się do niniejszej instrukcji zachodzi ryzyko uszkodzenia produktu lub innych materiałów w pobliżu.

Uwaga! Informacje istotne w konkretnej sytuacji.

2.2 Ogólne zasady bezpiecznej pracy z elektronarzędziem

⚠ Ostrzeżenie! W razie niestosowania się do niniejszej instrukcji zachodzi ryzyko śmierci lub obrażeń ciała.

⚠ Ostrzeżenie! Przeczytaj wszystkie ostrzeżenia i instrukcję bezpieczeństwa. Nieprzestrzeganie ostrzeżeń i instrukcji zamieszczonych poniżej może spowodować porażenie prądem, pożar lub/i ciężkie obrażenia ciała.

⚠ Ostrzeżenie! Zachowaj wszystkie ostrzeżenia i instrukcję na przyszłość. Termin „elektonarzędzie” pojawiający się w ostrzeżeniach odnosi się do tego konkretnego elektronarzędzia zasilanego z sieci elektrycznej (za pośrednictwem przewodu) lub akumulatorem (bez użycia przewodu).

Uwaga! Produkt jest zasilany akumulatorowo, zapoznaj się z instrukcją obsługi akumulatora i ładowarki w celu uzyskania informacji dotyczących bezpieczeństwa.

2.3 Bezpieczeństwo w miejscu pracy

- Dbaj o porządek i dobre oświetlenie w miejscu pracy. Nieuporządkowane lub ciemne miejsca pracy zwiększają ryzyko wypadku.
- Nie używaj elektronarzędzi w atmosferze wybuchowej, np. w obecności łatwopalnych płynów, gazów lub pyłów. Elektronarzędzia generują iskry, które mogą spowodować zapłon pyłów lub oparów.
- Używając elektronarzędzia, zachowaj odpowiednią odległość od dzieci i osób postronnych. Rozproszony użytkownik może stracić panowanie nad narzędziem.

2.4 Bezpieczeństwo elektryczne

- Wtyczka przewodu musi pasować do gniazda. Nie wolno w żaden sposób modyfikować wtyczki. Z uziemionymi elektronarzędziami nie używaj żadnych przejściówek. Niezmodyfikowane wtyczki i dopasowane gniazda zmniejszają ryzyko porażenia prądem.

- Unikaj kontaktu ciała z uziemionymi powierzchniami, takimi jak rury, kaloryfery, piece czy lodówki. Istnieje zwiększone ryzyko porażenia prądem, jeśli ciało jest uziemione.
- Nie wystawiaj elektronarzędzia na działanie deszczu ani wilgoci. Wniknięcie wody do wnętrza elektronarzędzia zwiększa ryzyko porażenia prądem.
- Nie używaj przewodu do innych czynności niż podłączenie urządzenia do zasilania. Nigdy nie używaj przewodu do przenoszenia, ciągnięcia ani odłączania elektronarzędzia. Chroń przewód przed kontaktem ze źródłem wysokiej temperatury, olejem, ostrymi krawędziami i ruchomymi częściami. Uszkodzone lub splecione przewody zasilające zwiększają ryzyko porażenia prądem.
- Podczas obsługi elektronarzędzia na zewnątrz używaj przedłużacza odpowiedniego do użytku na zewnątrz. Użycie przewodu przeznaczonego do użytku na zewnątrz zmniejsza ryzyko porażenia prądem.
- Jeśli nie można uniknąć używania elektronarzędzia w wilgotnym miejscu, użyj złącza zabezpieczonego wyłącznikiem różnicowoprądowym (RCD). Używanie wyłącznika różnicowoprądowego zmniejsza ryzyko porażenia prądem.

2.5 Bezpieczeństwo osobiste

- Podczas obsługi elektronarzędzia zachowaj czujność, obserwuj swoje działanie i zachowaj zdrowy rozsądek. Nie używaj elektronarzędzia w stanie zmęczenia lub pod wpływem narkotyków, alkoholu lub leków. Chwila nieuwagi podczas obsługi elektronarzędzia może skutkować ciężkimi obrażeniami ciała.
- Stosuj środki ochrony indywidualnej. Zawsze używaj środków ochrony oczu.
- Środki ochrony indywidualnej, takie jak maska przeciwpyłowa, antypoślizgowe obuwie ochronne, kask lub środki ochrony słuchu odpowiednie do danej sytuacji, zmniejszają zakres ewentualnych obrażeń ciała.
- Zapobiegaj przypadkowemu uruchomieniu. Zanim podłączysz elektronarzędzie do źródła zasilania lub/i akumulatora, podniesiesz elektronarzędzie lub je przeniesiesz, upewnij się, że przełącznik jest w pozycji wyłączonej. Przenoszenie elektronarzędzia z palcem na przełączniku lub podłączanie do zasilania elektronarzędzi z przełącznikiem w pozycji włączonej zwiększają ryzyko wypadku.
- Przed włączeniem elektronarzędzia usuń z niego wszelkie klucze nastawne i inne narzędzia. Klucz lub inne narzędzia pozostawione na obracającej się części narzędzia mogą spowodować obrażenia ciała.
- Nie pochylaj się zbyt mocno nad urządzeniem. Przez cały czas utrzymuj stabilną postawę, aby nie stracić równowagi. Dzięki temu możesz lepiej kontrolować elektronarzędzie w nieoczekiwanych sytuacjach.

- Podczas obsługi urządzenia noś odpowiednią odzież. Nie noś luźnych ubrań ani biżuterii. Trzymaj włosy, ubrania i rękawice z daleka od ruchomych części urządzenia. Luźne części odzieży, biżuteria i długie włosy mogą zostać wciągnięte przez ruchome części urządzenia.
- Jeśli urządzenie dostarczone w zestawie z akcesoriami / urządzeniami do odsysania pyłu, upewnij się, że zostały podłączone i są prawidłowo używane. Używanie akcesoriów odciągających pył może zmniejszyć zagrożenia powodowane przez nadmierne zapylenie.
- Pamiętaj, że doświadczenie zdobyte w wyniku częstego stosowania urządzenia nie usprawiedliwia brawurowych zachowań i ignorowania zasad bezpieczeństwa. Nieostrożne postępowanie może doprowadzić do ciężkich obrażeń w ułamku sekundy.

2.6 Obsługa i czyszczenie elektronarzędzia

- Nie przeciążaj elektronarzędzia. Używaj elektronarzędzia odpowiedniego do danego zastosowania. Elektronarzędzie działa optymalnie i bezpieczniej przy obciążeniu, pod kątem którego je skonstruowano.
- Nie używaj narzędzia, jeśli nie można go włączyć i wyłączyć przy użyciu przełącznika. Elektronarzędzia, których nie można włączyć lub wyłączyć przełącznikiem stwarzają zagrożenie i wymagają naprawy.
- Przed rozpoczęciem regulacji, wymiany akcesoriów lub przechowywania elektronarzędzia należy odłączyć wtyczkę od źródła zasilania i/lub wyjąć akumulator. Te zapobiegawcze środki ostrożności zmniejszają ryzyko niezamierzonego uruchomienia narzędzia.
- Przechowuj elektronarzędzie, z którego nie korzystasz, w miejscu niedostępnym dla dzieci. Nie pozwól, aby elektronarzędzie było używane przez dzieci lub osoby, które go nie są z nim zaznajomione i nie zapoznały się z zaleceniami dotyczącymi jego bezpiecznej obsługi. Elektronarzędzia są niebezpieczne w przypadku użycia przez nieprzeszkolonych osób.
- Konserwuj elektronarzędzia i ich akcesoria. Sprawdzić, czy ruchome części nie są nieprawidłowo ustawione lub zakleszczone, czy nie są pęknięte i czy nie występują inne nieprawidłowości, które mogą mieć negatywny wpływ na działanie elektronarzędzia. W razie uszkodzenia elektronarzędzia należy je naprawić przed ponownym użyciem. Niedostateczna konserwacja elektronarzędzi jest częstą przyczyną wypadków.
- Używaj elektronarzędzia, akcesoriów itp. w sposób zgodny z zaleceniami i z uwzględnieniem warunków pracy oraz przewidzianego zadania. Zastosowanie elektronarzędzi do celów innych niż te, do których są przeznaczone, może powodować zagrożenia.

- Dbaj o to, aby uchwyty i inne powierzchnie, które chwytaśz były suche, czyste i niezabrudzone olejem czy smarem. Śliskie uchwyty i powierzchnie chwytne utrudniają bezpieczną obsługę i zapanowanie nad narzędziem w nieoczekiwanej sytuacji.

2.7 Obsługa i czyszczenie narzędzia zasilanego akumulatorem

- Akumulator można ładować wyłącznie ładowarką zalecaną przez producenta. Ładowarka przeznaczona do jednego rodzaju akumulatora może spowodować pożar, jeśli zostanie użyta z akumulatorem innego rodzaju.
- Używaj elektronarzędzia wyłącznie z dołączonymi akumulatorami. W przypadku użycia innych akumulatorów istnieje ryzyko odniesienia obrażeń ciała lub wystąpienia pożaru.

2.8 Ograniczenie narażenia na hałas i drgania

- Zaplanuj pracę tak, aby narażenie na silne drgania było rozłożone w czasie.
- Aby zmniejszyć hałas i drgania podczas użytkowania, ogranicz czas pracy narzędzia i używaj trybu niskiego poboru mocy/niskich drgań oraz odpowiedniego sprzętu ochronnego.
- Zastosuj następujące środki ostrożności, aby zminimalizować ryzyko narażenia na drgania i/lub hałas:
- Sprawdź, czy narzędzie jest w dobrym stanie.
- Używaj akcesoriów w dobrym stanie i dostosowanych do danego celu.
- Trzymaj mocno uchwyty.

2.9 Ostrzeżenie dotyczące bezpiecznej pracy gwoździarką

- Zachowaj ostrożność przy przenoszeniu produktu. Zawsze pamiętaj, że produkt ma załadowane gwoździe. Nieprawidłowe obchodzenie się z produktem może być przyczyną przypadkowego wystrzału i obrażeń.
- Nie kieruj produktem w stronę siebie, innych osób ani zwierząt. Przepadkowe wystrzelenie gwoździ może spowodować ciężkie obrażenia.
- Trzymaj palce i inne części ciała z dala od otworu wylotowego produktu.
- Aby zapobiec obrażeniom, w razie konieczności zabezpiecz obrabiany przedmiot za pomocą urządzenia mocującego.
- Nie używaj produktu, jeżeli nie jest w pełni dociśnięty do obrabianego przedmiotu. Nieprawidłowe użytkowanie produktu może spowodować niekontrolowane wystrzelenie gwoździ i w efekcie obrażenia ciała.

- Aby zapobiec przypadkowemu wystrzeleniu i obrażeniom, przed załadowaniem magazynku gwoździ wyłącz produkt i wyciągnij akumulator.
- Zachowaj ostrożność przy zwalnianiu zablokowanego gwoździ. Magazynek może być naprężony, co może doprowadzić do nagłego wystrzelenia gwoździa podczas próby jego uwolnienia.
- Nie używaj produktu do mocowania przewodów elektrycznych. Gwoździarki nie nadają się do prac związanych z instalacją elektryczną, gdyż mogą uszkodzić izolację przewodu i spowodować porażenie prądem lub pożar.

2.10 Dodatkowe instrukcje bezpieczeństwa

- Luźne obrabiane przedmioty należy zawsze umocować.
- Przed odłożeniem produktu po użyciu odczekaj, aż całkowicie się zatrzyma. Produkt może utknąć w materiale, a użytkownik może stracić nad nim kontrolę.

2.11 Instrukcja bezpiecznej obsługi

- Przed użyciem produktu zapoznaj się z ostrzeżeniami w niniejszej instrukcji, a następnie stosuj się do nich podczas używania.
- Nie używaj produktu, jeżeli jesteś zmęczony, chory lub pod wpływem środków odurzających. Powoduje to pogorszenie wzroku, koncentracji, koordynacji i oceny sytuacji.
- Nie pozwalaj na korzystanie z produktu dzieciom lub osobom, które nie wiedzą, jak go obsługiwać.
- Nie używaj produktu, jeśli jest uszkodzony.
- Nie wolno wprowadzać zmian w produkcji.
- Produktu można używać wyłącznie zgodnie z jego przeznaczeniem.

2.11.1 Ryzyko resztkowe

Ryzyko resztkowe zawsze istnieje, nawet jeśli produkt jest użytkowany zgodnie z instrukcją.

W związku z typem i konstrukcją tego elektronarzędzia mogą wystąpić następujące zagrożenia:

- Uszkodzenie słuchu w przypadku niestosowania ochronników słuchu.
- Obrażenia wynikające z wpływu drgań na dłoń i ramiona, gdy produkt jest używany przez długi czas lub gdy nie jest używany i konserwowany prawidłowo.
- Niebezpieczeństwo spowodowane polem elektromagnetycznym generowanym podczas pracy urządzenia. To pole może w niektórych okolicznościach wpływać na aktywne lub pasywne implanty medyczne.
- Aby zmniejszyć ryzyko ciężkich lub śmiertelnych obrażeń, zaleca się, aby osoby stosujące implanty medyczne skonsultowały się z lekarzem i producentem implantu przed uruchomieniem urządzenia.

3 Obsługa

3.1 Czynności do wykonania przed użyciem

! **Ostrzeżenie!** Przed każdym użyciem sprawdź wybrany tryb, aby zapobiec obrażeniom.

3.2 Wkładanie i wyciąganie akumulatora

! **Przestroga!** Upewnij się, że akumulator jest prawidłowo włożony. Poluzowanie akumulatora może spowodować obrażenia ciała.

! **Przestroga!** Nie wkładaj akumulatora na siłę. Jeśli nie można go łatwo włożyć, oznacza to, że nie jest prawidłowo ustawiony.

3.2.1 Wkładanie akumulatora

Rysunek 2

1 Ustaw akumulator równo względem szczelin w obudowie.

2 Wsuwaj akumulator, aż usłyszysz kliknięcie.

3.2.2 Wyciąganie akumulatora

1 Naciśnij przycisk z przodu akumulatora.

2 Wyciągnij akumulator z gniazda.

3.3 Mocowanie klipsa do paska

Klips do paska można zamocować po lewej lub prawej stronie produktu.

Rysunek 3

1 Odkręć śrubę śrubokrętem.

2 Umieść klips do paska w odpowiedniej pozycji.

3 Zamocuj klips do paska i dokręć śrubę.

3.4 Ładowanie gwoździ

! **Ostrzeżenie!** Sprawdź, czy akumulator jest wyciągnięty.

! **Ostrzeżenie!** Podczas ładowania produktu nie kieruj go w stronę siebie ani innych osób ze względu na ryzyko obrażeń.

! **Ostrzeżenie!** Upewnij się, że spust lub mechanizm blokujący nie są aktywne podczas ładowania produktu ze względu na ryzyko obrażeń.

⚠ Przewaga! Stosuj wyłącznie gwoździe zalecane przez producenta. Stosowanie innych gwoździ może spowodować obrażenia ciała lub szkody materialne. Patrz "9 Dane techniczne" na stronie 36.

- 1 Naciśnij przycisk blokady. (Rysunek 4)
- 2 Pociągnij pokrywę magazynka. (Rysunek 5)
- 3 Umieść gwoździe w magazynku.
- 4 Przesuń pokrywę magazynka z powrotem do przodu, aż usłyszysz kliknięcie. Upewnij się, że jest prawidłowo zablokowana.

- Ładując magazynek gwoździami, pamiętaj, że czubek gwoździa musi być skierowany w dół i przylegać do dolnej krawędzi magazynka.
- Ładując gwoździe do magazynka, opieraj ich górną część o górną krawędź magazynka.

3.5 Wyciągnięcie gwoździ

⚠ Ostrzeżenie! Sprawdź, czy akumulator jest wyciągnięty.

⚠ Ostrzeżenie! Przed odłożeniem produktu do przechowywania należy opróżnić magazynek z gwoździ.

- 1 Naciśnij przycisk blokady. (Rysunek 4)
- 2 Pociągnij pokrywę magazynka.
- 3 Wyjmij gwoździe z magazynka.
- 4 Przesuń pokrywę magazynka z powrotem do przodu, aż usłyszysz kliknięcie. Upewnij się, że jest prawidłowo zablokowana.

3.6 Wyciągnięcie zablokowanych gwoździ

⚠ Ostrzeżenie! Sprawdź, czy akumulator jest wyciągnięty.

⚠ Przewaga! Produkt nie uruchomi się, jeśli mechanizm spustowy jest zablokowany.

- 1 Naciśnij przycisk blokady. (Rysunek 4)
- 2 Pociągnij pokrywę magazynka.
- 3 Usuń zablokowany gwoździe. W razie konieczności użyj innego gwoździa lub przedmiotu, aby wyjąć zablokowany gwoździe.

3.7 Regulacja głębokości wbijania

Uwaga! Aby wbić długi gwoździe lub wbić go w twardy materiał, potrzeba większej siły.

Rysunek 6

- Aby zwiększyć głębokość roboczą, przekręć pokrętko regulacyjne w lewo.
- Aby zmniejszyć głębokość roboczą, przekręć pokrętko regulacyjne w prawo.

Uwaga! Wykonaj test na obrabianym przedmiocie, aby znaleźć odpowiednią głębokość.

3.8 Kontrola zatyczki zabezpieczającej

⚠ Ostrzeżenie! Przed każdym użyciem należy sprawdzić stan zatyczki zabezpieczającej. Nie używaj produktu, jeśli zatyczka zabezpieczająca jest uszkodzona.

- Zatyczka zabezpieczająca musi mieć możliwość swobodnego poruszania się. Upewnij się, że po wsunięciu wraca do pozycji całkowicie wysuniętej.

3.8.1 Wymiana podkładki bezpieczeństwa

⚠ Ostrzeżenie! Przed zdjęciem lub wymianą podkładki zabezpieczającej należy upewnić się, że akumulator nie jest podłączony ze względu na ryzyko ciężkich obrażeń.

- Podkładka zabezpieczająca zapobiega powstawaniu śladów i uszkodzeń na obrabianym przedmiocie.

- 1 Zdejmij podkładkę zabezpieczającą z zatyczki zabezpieczającej i załóż nową podkładkę zabezpieczającą.

3.9 Wybór trybu strzelania

⚠ Ostrzeżenie! Nie wolno używać produktu, jeżeli otwór wyrzutu gwoździ nie jest w pełni przyciśnięty do obrabianego przedmiotu.

Rysunek 7

3.9.1 Tryb pojedynczych strzałów

Tryb ten można stosować do pojedynczego i precyzyjnego umieszczania gwoździ.

- Przesuń przełącznik zmiany trybu pracy w lewo. W przypadku wyboru trybu pojedynczych strzałów przy każdym strzale trzeba nacisnąć spust.

Uwaga! Aby móc korzystać z produktu, należy nacisnąć zatyczkę zabezpieczającą i spust.

3.9.2 Tryb strzałów przy kontakcie

Ten tryb nadaje się do szybkich i wielokrotnych strzałów.

- Przesuń przełącznik zmiany trybu w prawo. W trybie strzałów przy kontakcie gwóźdź jest wystrzeliwany za każdym razem, gdy zatyczka zabezpieczająca zostanie dociśnięta do obrabianego przedmiotu, a spust jest wciśnięty.

3.10 Wskaźnik stanu

Wskaźnik stanu zacznie migać, gdy akumulator będzie rozładowany, magazynek pusty lub gwóźdź utknie.

3.11 Używanie produktu w niskich temperaturach

Uwaga! Niska temperatura może mieć negatywny wpływ na wydajność i żywotność akumulatora.

- Przed użyciem utrzymuj produkt w jak najwyższej temperaturze.
- Przed użyciem należy uruchomić produkt na obrabianym przedmiocie 5–6 razy.

4 Transport

- Przed transportem produktu poczekaj, aż się całkowicie zatrzyma i wyciągnij akumulator.

5 Przechowywanie

- Jeśli produkt nie będzie używany przez długi czas, należy wyjąć z niego akumulator i przechowywać produkt w czystym i suchym miejscu niedostępnym dla dzieci i zwierząt.

6 Konserwacja

! Przystroga! Przed konserwacją należy wyłączyć produkt i wyjąć akumulator.

6.1 Czyszczenie produktu

! Przystroga! Aby zapobiec uszkodzeniu powierzchni produktu, nie używaj silnych detergentów ani środków o właściwościach ściernych.

- W razie potrzeby wyczyść produkt suchą szmatką.
- Do czyszczenia trudno dostępnych miejsc używaj sprężonego powietrza lub szczotki.

6.1.1 Czyszczenie magazynka na gwóździe

Problemy z działaniem i podawaniem gwóździ mogą wynikać z pozostałości kleju z pasków gwóździ. Aby zapobiec problemom, czyść obszar wokół mechanizmu napędowego.

- 1 Odciągnij pokrywę magazynka i wyciągnij gwóździe.
- 2 Nasąc czystą szmatką olejem do narzędzi pneumatycznych i wyczyść wszelkie pozostałości kleju wewnątrz magazynka.

7 Utylizacja

- Pamiętaj, aby postępować zgodnie z lokalnymi przepisami dotyczącymi utylizacji. Nie spalaj produktu.

8 Serwisowanie

! Ostrzeżenie! Naprawy produktu mogą być wykonywane wyłącznie przez autoryzowany personel.

- Elektronarzędzia mogą być serwisowane wyłącznie przez wykwalifikowany personel przy użyciu identycznych części zamiennych. Tylko w ten sposób można zagwarantować bezpieczne używanie elektronarzędzia.

9 Dane techniczne

Specyfikacja	Wartość
Napięcie znamionowe	18 V DC, 2 Ah
Częstotliwość wystrzałów	60/ min
Magazynek	100 szt.
Wystrzały na jedno załadowanie	700
Czas ładowania	45 min
Masa	2,8 kg
Rodzaj gwóździ	Gwoździe 18 GA Zszywki 18 GA 1/4"
Długość gwóździ	Gwoździe 5/8" -2" Zszywki 16–40 mm
Poziom hałasu	
Poziom ciśnienia akustycznego, L _{pA}	83 dB(A), K=3 dB
Poziom mocy akustycznej, L _{WA}	94 dB(A), K = 3 dB
Poziom drgań ¹	2,2 m/s ² , K=1,5 m/s ²

! Ostrzeżenie! Zawsze stosuj środki ochrony słuchu!

! Ostrzeżenie! W zależności od sposobu korzystania z narzędzi i stosowanego materiału rzeczywisty poziom drgań i hałasu podczas pracy może różnić się od podanej wartości maksymalnej. Dlatego należy określić, w oparciu o ocenę narażenia na oddziaływanie szkodliwych czynników w warunkach rzeczywistych (przy wzięciu pod uwagę wszystkich części cyklu roboczego, jak również czasu, w którym narzędzie jest wyłączone lub pracuje na biegu jałowym, poza czasem rozruchowym), które środki zabezpieczające są wymagane, aby chronić użytkownika.

¹ Podana wartość emisji drgań została zmierzona znormalizowaną metodą badania i może zostać wykorzystana do porównywania elektronarzędzi oraz przygotowania wstępnej oceny narażenia. Zmierzone wartości zostały ocenione zgodnie z normą EN 60745-2-16:2010.

Inhaltsverzeichnis

1 Einführung	37
1.1 Das Produkt.....	37
1.2 Zweckgebundene Nutzung	37
1.3 Symbole.....	37
1.4 Produktübersicht.....	37
2 Sicherheit	38
2.1 Sicherheitshinweise.....	38
2.2 Allgemeine Sicherheitshinweise für Elektrowerkzeuge.....	38
2.3 Sicherheit im Arbeitsbereich	38
2.4 Elektrische Sicherheit.....	38
2.5 Persönliche Sicherheit	38
2.6 Verwendung und Pflege von Elektrowerkzeugen.....	39
2.7 Verwendung und Pflege von Akku-Geräten	39
2.8 Minimierung der Belastung durch Lärm und Vibrationen.....	39
2.9 Sicherheitswarnung für Nagelpistolen	39
2.10 Zusätzliche Sicherheitshinweise.....	40
2.11 Sicherheitshinweise für die Bedienung.....	40
3 Betrieb	40
3.1 Vor der Verwendung	40
3.2 So bringen Sie eine Batterie an und entfernen sie.....	40
3.3 So stellen Sie den Gürtelclip ein	40
3.4 So beladen Sie das Magazin mit Befestigungselementen.....	40
3.5 So entfernen Sie die Befestigungselemente.....	41
3.6 So entfernen Sie eingeklemmte Befestigungselemente	41
3.7 So stellen Sie die Arbeitstiefe ein	41
3.8 So überprüfen Sie die Sicherheitsspitze.....	41
3.9 So passen Sie den Auslösemodus an	41
3.10 Die Statusanzeige.....	42
3.11 So verwenden Sie das Produkt bei kalten Temperaturen	42
4 Transport	42
5 Lagerung	42
6 Reinigung und Wartung	42
6.1 So reinigen Sie das Produkt.....	42
7 Entsorgung	42
8 Wartung	42
9 Technische Daten	42

1 Einführung

1.1 Das Produkt

Bei dem Produkt handelt es sich um eine Akku-Nagelpistole mit 2 verschiedenen Modi. Das Produkt ist Teil der Meecc Tools Multiseries 18 V. Klammern, Akku und Ladegerät sind nicht im Lieferumfang enthalten.

1.2 Zweckgebundene Nutzung

Das Produkt dient zum Befestigen verschiedener Materialien auf Holzoberflächen und anderen geeigneten Materialien, beispielsweise Papier, Isolierungen, Leder oder Baukunststoffen. Nur für den Hausgebrauch.

1.3 Symbole

	Lesen Sie die Bedienungsanleitung sorgfältig durch und stellen Sie sicher, dass Sie die Anweisungen verstanden haben, bevor Sie das Produkt verwenden. Bewahren Sie die Anweisungen zum späteren Nachschlagen auf.
	Schutzbrille tragen.
	Gehörschutz tragen.
	Dieses Produkt entspricht den geltenden EU-Richtlinien und -Vorschriften.
	Als Elektroschrott entsorgen.

1.4 Produktübersicht

Abbildung 1

1. Tiefenverstellung
2. LED-Arbeitsleuchte
3. Netzauslöser
4. Griff
5. Akkuanschluss
6. Gürtelclip
7. Magazinauslöseknopf (auf der anderen Seite)
8. Modusauswahlschalter
9. Statusanzeige
10. Magazin
11. Schutzpolster
12. Sicherheitsspitze

2 Sicherheit

2.1 Sicherheitshinweise

⚠️ Warnung! Wenn Sie diese Anweisungen nicht befolgen, besteht Lebens- und Verletzungsgefahr.

⚠️ Vorsicht! Wenn Sie diese Anweisungen nicht befolgen, besteht die Gefahr, dass das Produkt, andere Materialien oder der angrenzende Bereich beschädigt werden.

Hinweis! Informationen, die in einer bestimmten Situation notwendig sind.

2.2 Allgemeine Sicherheitshinweise für Elektrowerkzeuge

⚠️ Warnung! Wenn Sie diese Anweisungen nicht befolgen, besteht Lebens- und Verletzungsgefahr.

⚠️ Warnung! Lesen Sie alle Sicherheitswarnungen und Anweisungen. Die Nichtbeachtung der Warnungen und Anweisungen kann zu Stromschlägen, Bränden und/oder schweren Verletzungen führen.

⚠️ Warnung! Bewahren Sie alle Warnhinweise und Anweisungen zum späteren Nachschlagen auf. Der Begriff „Elektrowerkzeug“ in den Warnhinweisen bezieht sich auf Ihr netzbetriebenes (kabelgebundenes) Elektrowerkzeug oder Ihr akkubetriebenes (kabelloses) Elektrowerkzeug.

Hinweis! Das Produkt wird mit einem Akku betrieben. Sicherheitshinweise finden Sie in den Benutzerhandbüchern des Akkus und des Ladegeräts.

2.3 Sicherheit im Arbeitsbereich

- Der Arbeitsbereich muss sauber und gut beleuchtet sein. Unaufgeräumte oder dunkle Bereiche sind unfallträchtig.
- Arbeiten Sie nicht mit Elektrowerkzeugen in explosionsgefährdeten Bereichen, z. B. in der Nähe von brennbaren Flüssigkeiten, Gasen oder Staub. Elektrowerkzeuge erzeugen Funken, die den Staub oder die Dämpfe entzünden können.
- Halten Sie Kinder und Unbeteiligte fern, während Sie ein Elektrowerkzeug bedienen. Ablenkungen können dazu führen, dass Sie die Kontrolle verlieren.

2.4 Elektrische Sicherheit

- Die Stecker von Elektrowerkzeugen müssen mit der Steckdose kompatibel sein. Modifizieren Sie niemals den Stecker in irgendeiner Weise. Verwenden Sie keine Adapterstecker mit (geerdeten) Elektrowerkzeugen. Nicht modifizierte Stecker und kompatible Steckdosen verringern das Risiko eines Stromschlags.

- Vermeiden Sie Körperkontakt mit geerdeten Oberflächen, wie Rohren, Heizkörpern, Herden und Kühlschränken. Es besteht ein erhöhtes Risiko eines Stromschlags, wenn Ihr Körper geerdet ist.
- Setzen Sie Elektrowerkzeuge nicht dem Regen oder Nässe aus. Wenn Wasser in ein Elektrowerkzeug eindringt, erhöht sich die Gefahr eines Stromschlags.
- Schützen Sie das Kabel. Verwenden Sie das Kabel niemals zum Tragen, Ziehen oder Trennen des Elektrowerkzeugs. Halten Sie das Kabel von Hitze, Öl, scharfen Kanten oder beweglichen Teilen fern. Beschädigte oder verhedderte Kabel erhöhen das Risiko eines Stromschlags.
- Wenn Sie ein Elektrowerkzeug im Freien betreiben, verwenden Sie ein Verlängerungskabel, das für den Einsatz im Freien geeignet ist. Die Verwendung eines für den Einsatz im Freien geeigneten Kabels reduziert das Risiko eines Stromschlags.
- Wenn der Betrieb eines Elektrowerkzeugs in einer feuchten Umgebung unvermeidlich ist, verwenden Sie eine durch einen Fehlerstromschutzschalter (RCD) geschützte Stromversorgung. Die Verwendung eines RCD-Schalters verringert das Risiko eines Stromschlags.

2.5 Persönliche Sicherheit

- Seien Sie wachsam, achten Sie darauf, was Sie tun, und nutzen Sie Ihren gesunden Menschenverstand, wenn Sie ein Elektrowerkzeug bedienen. Verwenden Sie ein Elektrowerkzeug nicht, wenn Sie müde sind oder unter dem Einfluss von Drogen, Alkohol oder Medikamenten stehen. Ein Moment der Unachtsamkeit bei der Bedienung von Elektrowerkzeugen kann zu schweren Verletzungen führen.
- Verwenden Sie persönliche Schutzausrüstung. Tragen Sie immer eine Schutzbrille.
- Schutzausrüstungen wie Staubmaske, rutschfeste Sicherheitsschuhe, Schutzhelm oder Gehörschutz, die unter geeigneten Bedingungen verwendet werden, verringern Verletzungen.
- Verhindern Sie ein unbeabsichtigtes Starten. Vergewissern Sie sich, dass der Schalter in der Aus-Stellung ist, bevor Sie das Gerät an die Stromquelle und/oder den Akku anschließen, es in die Hand nehmen oder tragen. Das Tragen von Elektrowerkzeugen mit dem Finger auf dem Schalter oder die Stromzufuhr von Elektrowerkzeugen, bei denen der Schalter eingeschaltet ist, kann leicht Unfälle verursachen.
- Entfernen Sie vor dem Einschalten des Elektrowerkzeugs alle Einstell- oder Schraubenschlüssel. Ein Schlüssel, der an einem rotierenden Teil des Elektrowerkzeugs verbleibt, kann zu Verletzungen führen.
- Halten Sie das Gerät nur am vorgesehenen Griff fest. Achten Sie stets auf einen festen Stand und ein gutes Gleichgewicht. Dies ermöglicht eine bessere Kontrolle des Elektrowerkzeugs in unerwarteten Situationen.
- Tragen Sie sichere Kleidung. Tragen Sie keine weite Kleidung und keinen Schmuck. Halten Sie Ihre Haare,

Kleidung und Handschuhe von beweglichen Teilen fern. Lose Kleidung, Schmuck oder lange Haare können sich in beweglichen Teilen verfangen.

- Wenn Vorrichtungen für den Anschluss von Staubabsaug- und Auffangzubehör vorhanden sind, stellen Sie sicher, dass diese angeschlossen sind und ordnungsgemäß verwendet werden. Die Verwendung eines Staubsaugers kann staubbedingte Gefahren verringern.
- Lassen Sie nicht zu, dass Sie aufgrund der Vertrautheit, die Sie durch den häufigen Gebrauch von Werkzeugen erlangt haben, selbstgefällig werden und die Grundsätze der Werkzeugsicherheit ignorieren. Eine unvorsichtige Handlung kann im Bruchteil einer Sekunde zu schweren Verletzungen führen.

2.6 Verwendung und Pflege von Elektrowerkzeugen

- Setzen Sie das Elektrowerkzeug nicht mit Gewalt ein. Verwenden Sie das richtige Elektrowerkzeug für Ihre Anwendung. Das richtige Elektrowerkzeug erledigt die Arbeit besser, sicherer und in der Geschwindigkeit, für die es entwickelt wurde.
- Verwenden Sie das Elektrowerkzeug nicht, wenn der Schalter es nicht ein- und ausschaltet. Jedes Elektrowerkzeug, das sich nicht mit dem Schalter bedienen lässt, ist gefährlich und muss repariert werden.
- Trennen Sie den Stecker von der Stromquelle und/ oder den Akku vom Elektrowerkzeug, bevor Sie Einstellungen vornehmen, Zubehörtile wechseln oder Elektrowerkzeuge lagern. Solche vorbeugenden Sicherheitsmaßnahmen verringern das Risiko einer unbeabsichtigten Inbetriebnahme des Elektrowerkzeugs.
- Bewahren Sie ungenutzte Elektrowerkzeuge außerhalb der Reichweite von Kindern auf und lassen Sie Personen, die mit dem Elektrowerkzeug oder dieser Anleitung nicht vertraut sind, das Elektrowerkzeug nicht bedienen. Elektrowerkzeuge sind in den Händen von ungeschulten Benutzern gefährlich.
- Pflegen Sie Elektrowerkzeuge und das Zubehör. Prüfen Sie, ob bewegliche Teile falsch ausgerichtet sind oder klemmen, ob Teile beschädigt sind oder ob andere Bedingungen vorliegen, die den Betrieb des Elektrowerkzeugs beeinträchtigen könnten. Lassen Sie das Elektrowerkzeug bei Beschädigungen vor der Verwendung reparieren. Viele Unfälle werden durch schlecht gewartete Elektrowerkzeuge verursacht.
- Verwenden Sie das Elektrowerkzeug, das Zubehör, die Bits usw. gemäß dieser Anleitung und unter Berücksichtigung der Arbeitsbedingungen und der auszuführenden Arbeiten. Die Verwendung des Elektrowerkzeugs für andere als die vorgesehenen Arbeiten kann zu gefährlichen Situationen führen.
- Halten Sie Griffe und Greifflächen trocken, sauber und frei von Öl und Fett. Rutschige Griffe und Griffflächen ermöglichen keine sichere Handhabung und Kontrolle des Geräts in unerwarteten Situationen.

2.7 Verwendung und Pflege von Akku-Geräten

- Laden Sie das Gerät nur mit dem vom Hersteller angegebenen Ladegerät auf. Ein Ladegerät, das für einen bestimmten Akkutyp geeignet ist, kann bei Verwendung mit einem anderen Akkutyp eine Brandgefahr darstellen.
- Verwenden Sie Elektrowerkzeuge nur mit den speziell dafür vorgesehenen Akkus. Die Verwendung anderer Akkus kann zu Verletzungs- und Brandgefahr führen.

2.8 Minimierung der Belastung durch Lärm und Vibrationen

- Planen Sie die Arbeiten so, dass sich die Belastung durch starke Erschütterungen über einen längeren Zeitraum erstreckt.
- Um Geräusche und Vibrationen während des Gebrauchs zu reduzieren, begrenzen Sie die Zeit, in der das Werkzeug verwendet wird, und verwenden Sie einen Energie-/Vibrationsmodus und geeignete Sicherheitsausrüstung.
- Treffen Sie die folgenden Vorsichtsmaßnahmen, um das Risiko einer Exposition gegenüber Vibrationen und/oder Lärm zu minimieren:
- Überprüfen Sie, ob das Werkzeug in gutem Zustand ist.
- Verwenden Sie nur Zubehör, das in gutem Zustand und für die Arbeit geeignet ist.
- Halten Sie die Hebel/Griffe gut fest.

2.9 Sicherheitswarnung für Nagelpistolen

- Seien Sie vorsichtig, wenn Sie das Produkt bewegen. Bedenken Sie immer, dass das Produkt mit Befestigungselementen beladen ist. Bei unsachgemäßer Handhabung des Produkts besteht die Gefahr, dass es unbeabsichtigt ausgelöst wird und zu Verletzungen führt.
- Richten Sie den Strahl nicht auf sich selbst, andere Personen oder Tiere. Die unbeabsichtigte Auslösung der Nagelpistole kann schwere Verletzungen verursachen.
- Halten Sie Ihre Finger und Körperteile vom Auslöser des Produkts fern.
- Sichern Sie das Werkstück bei Bedarf mit einer Spannvorrichtung, um Verletzungen zu vermeiden.
- Betätigen Sie das Produkt nur, wenn es fest gegen das Werkstück gedrückt ist. Eine falsche Bedienung kann zur unbeabsichtigten Auslösung des Produkts führen und Verletzungen verursachen.
- Um eine unbeabsichtigte Auslösung des Produkts und Verletzungen zu vermeiden, stoppen Sie das Produkt und entfernen Sie den Akku, bevor Sie das Magazin mit Befestigungselementen beladen.
- Seien Sie vorsichtig beim Lösen eingeklemmter Befestigungselemente. Das Magazin kann klemmen und das Befestigungselement kann beim Versuch, es freizugeben, plötzlich mit Wucht herausgeschießen.

- Verwenden Sie das Produkt nicht zum Befestigen von Elektrokabeln. Nagelpistolen sind für Elektroinstallationsarbeiten nicht geeignet, da sie die Kabelisolierung beschädigen und einen Stromschlag oder Brand verursachen können.

2.10 Zusätzliche Sicherheitshinweise

- Lose Werkstücke müssen immer gesichert werden.
- Warten Sie immer, bis das Produkt vollständig zum Stillstand gekommen ist, bevor Sie es absetzen. Das Produkt kann sich verklebmen und dazu führen, dass Sie die Kontrolle verlieren.

2.11 Sicherheitshinweise für die Bedienung

- Lesen und beachten Sie die Warnhinweise vor dem Betrieb.
- Verwenden Sie das Produkt nicht, wenn Sie müde, krank oder berauscht sind. Dadurch werden Ihr Sehvermögen, Ihre Wachsamkeit, Ihre Koordination und Ihr Urteilsvermögen beeinträchtigt.
- Überlassen Sie die Benutzung des Produktes nicht Kindern oder Personen, die mit der Bedienung des Produktes nicht vertraut sind.
- Verwenden Sie das Produkt niemals, wenn es defekt ist.
- Nehmen Sie keine Änderungen an dem Produkt vor.
- Verwenden Sie das Produkt nur für die angegebene Funktion.

2.11.1 Verbleibende Risiken

Auch wenn Sie das Produkt entsprechend der Gebrauchsanweisung betreiben, bleiben immer Restrisiken bestehen.

Im Zusammenhang mit der Art und Ausführung dieses Elektrowerkzeugs können folgende Gefahren auftreten:

- Gehörschäden, wenn kein Gehörschutz getragen wird.
- Gesundheitsschäden infolge der Einwirkung von Vibrationen auf Hände und Arme, wenn das Produkt über einen längeren Zeitraum verwendet wird oder wenn es nicht ordnungsgemäß verwendet und gewartet wird.
- Gefahr durch ein elektromagnetisches Feld, das während des Betriebs der Maschine erzeugt wird. Unter bestimmten Umständen kann sich dieses Feld negativ auf aktive oder passive medizinische Implantate auswirken.
- Um die Gefahr schwerer oder tödlicher Verletzungen zu verringern, wird empfohlen, dass Personen, die medizinische Implantate tragen, ihren Arzt und den Hersteller des Implantats konsultieren, bevor sie die Maschine bedienen.

3 Betrieb

3.1 Vor der Verwendung

! Warnung! Überprüfen Sie vor jedem Gebrauch den ausgewählten Modus, um Verletzungsrisiken zu vermeiden.

3.2 So bringen Sie eine Batterie an und entfernen sie

! Achtung! Vergewissern Sie sich, dass der Akku richtig eingesetzt ist. Wenn sich der Akku löst, kann dies zu Verletzungen führen.

! Achtung! Setzen Sie den Akku nicht mit Gewalt ein. Wenn er sich nicht leicht anbringen lässt, ist er nicht richtig ausgerichtet.

3.2.1 So bringen Sie eine Batterie an

Abbildung 2

- 1 Richten Sie den Akku an den Schlitzen im Gehäuse aus.
- 2 Drücken Sie den Akku, bis ein Klicken zu hören ist.

3.2.2 So entfernen Sie eine Batterie

- 1 Drücken Sie den Knopf auf der Vorderseite des Akkus.
- 2 Ziehen Sie den Akku aus dem Akkuanschluss heraus.

3.3 So stellen Sie den Gürtelclip ein

Der Gürtelclip kann sowohl links als auch rechts am Produkt angebracht werden.

Abbildung 3

- 1 Entfernen Sie die Schraube mit einem Schraubendreher.
- 2 Bringen Sie den Gürtelclip in die entsprechende Position.
- 3 Befestigen Sie den Gürtelclip und ziehen Sie die Schraube fest.

3.4 So beladen Sie das Magazin mit Befestigungselementen

! Warnung! Stellen Sie sicher, dass der Akku nicht angeschlossen ist.

! Warnung! Richten Sie das Produkt beim Laden nicht auf sich selbst oder andere Personen, es besteht Verletzungsgefahr.

! Warnung! Stellen Sie sicher, dass der Auslöser oder der Verriegelungsmechanismus beim Laden des Produkts nicht aktiviert sind. Es besteht Verletzungsgefahr.

! Vorsicht! Verwenden Sie nur vom Hersteller empfohlene Befestigungselemente. Die Verwendung anderer Befestigungselemente kann zu Verletzungen oder Sachschäden führen. Siehe „9 Technische Daten“ auf Seite 42.

- 1 Drücken Sie die Sperrtaste. (Abbildung 4)
- 2 Ziehen Sie die Magazinabdeckung zurück. (Abbildung 5)
- 3 Setzen Sie die Befestigungselemente in das Magazin ein.
- 4 Schieben Sie die Magazinabdeckung nach vorne, bis sie einrastet. Stellen Sie sicher, dass sie korrekt angebracht ist.

- Beim Beladen des Magazins mit Befestigungselementen muss die Nagelspitze nach unten zeigen und an der Unterkante des Magazins anliegen.
- Wenn Sie das Magazin mit Klammern beladen, legen Sie die Oberseite der Klammern an die Oberkante des Magazins.

3.5 So entfernen Sie die Befestigungselemente

⚠️ Warnung! Stellen Sie sicher, dass der Akku nicht angeschlossen ist.

⚠️ Warnung! Entfernen Sie die Befestigungselemente aus dem Magazin, bevor Sie das Produkt aufbewahren.

- 1 Drücken Sie die Sperrtaste. (Abbildung 4)
- 2 Ziehen Sie die Magazinabdeckung zurück.
- 3 Entnehmen Sie die Befestigungselemente aus dem Magazin.
- 4 Schieben Sie die Magazinabdeckung nach vorne, bis sie einrastet. Stellen Sie sicher, dass sie korrekt angebracht ist.

3.6 So entfernen Sie eingeklemmte Befestigungselemente

⚠️ Warnung! Stellen Sie sicher, dass der Akku nicht angeschlossen ist.

⚠️ Vorsicht! Das Produkt startet nicht, wenn der Auslösemechanismus blockiert ist.

- 1 Drücken Sie die Sperrtaste. (Abbildung 4)
- 2 Ziehen Sie die Magazinabdeckung zurück.
- 3 Entfernen Sie den eingeklemmten Befestigungselemente. Verwenden Sie ggf. einen Nagel oder einen anderen Gegenstand, um das Befestigungselement zu entfernen.

3.7 So stellen Sie die Arbeitstiefe ein

Hinweis! Bei harten Materialien und langen Nägeln ist mehr Kraft erforderlich.

Abbildung 6

- Drehen Sie den Einstellknopf nach links, um die Arbeitstiefe zu erhöhen.
- Drehen Sie den Einstellknopf nach rechts, um die Arbeitstiefe zu reduzieren.

Hinweis! Um die geeignete Tiefe zu ermitteln, führen Sie einen Test an einem Werkstück durch.

3.8 So überprüfen Sie die Sicherheitsspitze

⚠️ Warnung! Überprüfen Sie vor jedem Gebrauch die Sicherheitsspitze. Verwenden Sie das Produkt nicht, wenn die Sicherheitsspitze beschädigt ist.

- Die Sicherheitsspitze muss frei beweglich sein. Stellen Sie sicher, dass sie nach dem Hineindrücken wieder in die vollständig ausgefahrene Position zurückkehrt.

3.8.1 So wechseln Sie das Schutzpolster

⚠️ Warnung! Stellen Sie sicher, dass der Akku nicht angeschlossen ist, bevor Sie das Sicherheitspolster entfernen oder wieder anbringen. Es besteht die Gefahr schwerer Verletzungen.

- Das Schutzpolster verhindert Abdrücke und Beschädigungen am Werkstück.
- 1 Ziehen Sie das Schutzpolster von der Sicherheitsspitze ab und befestigen Sie das neue Schutzpolster.

3.9 So passen Sie den Auslösemodus an

⚠️ Warnung! Betätigen Sie das Produkt nur, wenn die Öffnung für die Befestigungselemente dicht am Werkstück anliegt.

Abbildung 7

3.9.1 Einzelmodus

Dieser Modus ist für die einzelne und präzise Anbringung von Befestigungselementen geeignet.

- Bewegen Sie den Moduswahlschalter in die linke Position. Wenn der Einzelmodus ausgewählt wurde, muss der Auslöser jedes Mal gedrückt werden, um ein Befestigungselement herauszuschleßen.

Hinweis! Zur Betätigung des Produkts müssen die Sicherheitsspitze und der Auslöser nach unten gedrückt werden.

3.9.2 Kontaktmodus

Dieser Modus ist für schnelle und sich wiederholende Vorgänge geeignet.

- Bewegen Sie den Moduswahlschalter in die rechte Position.

Im Kontaktmodus wird jedes Mal ein Befestigungselement herausgeschossen, wenn die Sicherheitsspitze bei gedrücktem Auslöser gegen das Werkstück gedrückt wird.

3.10 Die Statusanzeige

Die Statusanzeige blinkt, wenn der Akku schwach ist, das Magazin leer ist oder ein Befestigungselement klemmt.

3.11 So verwenden Sie das Produkt bei kalten Temperaturen

Hinweis! Kalte Temperaturen können sich negativ auf die Leistung und Lebensdauer des Akkus auswirken.

- Halten Sie das Produkt vor der Anwendung möglichst warm.
- Betätigen Sie das Produkt vor der Verwendung 5–6 Mal auf einem Werkstück.

4 Transport

- Lassen Sie das Produkt vollständig zum Stillstand kommen und entfernen Sie den Akku, bevor Sie das Produkt transportieren.

5 Lagerung

- Wenn das Produkt längere Zeit nicht verwendet wird, entfernen Sie den Akku und lagern Sie ihn an einem sauberen und trockenen Ort, außerhalb der Reichweite von Kindern und Haustieren.

6 Reinigung und Wartung

⚠ Vorsicht! Stoppen Sie das Produkt und entfernen Sie den Akku, bevor Sie Wartungsarbeiten durchführen.

6.1 So reinigen Sie das Produkt

⚠ Vorsicht! Um Schäden an der Oberfläche des Produkts zu vermeiden, verwenden Sie keine aggressiven Reiniger oder Scheuermittel.

- Reinigen Sie das Produkt bei Bedarf mit einem trockenen Tuch.
- Verwenden Sie Druckluft oder eine Bürste, um schwer zugängliche Stellen zu reinigen.

6.1.1 So reinigen Sie das Magazins für Befestigungselemente

Probleme bei der Bedienung und Zuführung der Befestigungselemente können durch Klebereste der Nagelstreifen verursacht werden. Reinigen Sie den Bereich um den Antriebsmechanismus, um Problemen vorzubeugen.

- 1 Ziehen Sie die Magazinabdeckung zurück und entfernen Sie die Befestigungselemente.
- 2 Tragen Sie Druckluftwerkzeugöl auf ein sauberes Tuch auf und entfernen Sie alle Kleberückstände im Inneren des Magazins.

7 Entsorgung

- Stellen Sie sicher, dass Sie die örtlichen Vorschriften befolgen, wenn Sie das Produkt entsorgen. Verbrennen Sie das Produkt nicht.

8 Wartung

⚠ Warnung! Reparaturen am Produkt dürfen nur von autorisiertem Personal durchgeführt werden.

- Das Elektrowerkzeug darf nur von qualifiziertem Personal mit identischen Ersatzteilen gewartet werden. Dadurch wird sichergestellt, dass das Elektrowerkzeug sicher in der Anwendung bleibt.

9 Technische Daten

Spezifikation	Wert
Nennspannung	18 V DC, 2 Ah
Auslösefrequenz	60 / Min.
Magazin	100 St.
Schuss pro Ladung	700
Ladezeit	45 min
Gewicht	2,8 kg
Art der Befestigungselemente	Nägels 18 GA
	Klammern 18 GA 1/4"
Länge der Befestigungselemente	Nägels 5/8" -2"
	Klammern 16–40 mm
Geräuschpegel	
Schalldruckpegel, L _{PA}	83 dB(A), K = 3 dB
Geräuschpegel, L _{WA}	94 dB(A), K = 3 dB
Vibrationspegel ¹	2,2m/s ² , K=1,5m/s ²

⚠ Warnung! Stets Gehörschutz tragen!

⚠ Warnung! Der tatsächliche Vibrations- und Lärmpegel bei der Verwendung von Werkzeugen kann je nach Art der Verwendung des Werkzeugs und des Materials vom angegebenen Höchstwert abweichen. Daher muss ermittelt werden, welche Sicherheitsvorkehrungen zum Schutz des Anwenders erforderlich sind, und zwar auf der Grundlage einer Abschätzung der Exposition unter tatsächlichen Betriebsbedingungen (unter Berücksichtigung aller Phasen des Arbeitszyklus, z. B. der Zeit, in der das Werkzeug ausgeschaltet ist und sich im Leerlauf befindet, zusätzlich zur Anlaufzeit).

¹ Die deklarierten Werte für Vibration und Lärm, die nach einem standardisierten Prüfverfahren gemessen wurden, können zum Vergleich verschiedener Werkzeuge miteinander und für eine vorläufige Expositionsbewertung verwendet werden. Die Messwerte wurden in Übereinstimmung mit EN 60745-2-16:2010 ermittelt.

Sisällysluettelo

1 Johdanto	43
1.1 Tuote.....	43
1.2 Käyttötarkoitukset.....	43
1.3 Symbolit.....	43
1.4 Tuotteen yleiskuvas.....	43
2 Turvallisuus	44
2.1 Turvallisuusmääräykset.....	44
2.2 Sähkötyökalujen yleiset turvallisuusvaroitukset.....	44
2.3 Työalueen turvallisuus.....	44
2.4 Sähköturvallisuus.....	44
2.5 Henkilökohtainen turvallisuus.....	44
2.6 Sähkötyökalun käyttö ja hoito.....	45
2.7 Akkukäyttöisen työkalun käyttö ja hoito.....	45
2.8 Melulle ja värinälle altistumisen minimoimiseksi.....	45
2.9 Naulaimen turvallisuusvaroitukset.....	45
2.10 Muut turvaohjeet.....	45
2.11 Käytön turvaohjeet.....	46
3 Käyttö	46
3.1 Toiminta ennen toimenpidettä.....	46
3.2 Akun kiinnittäminen ja irrottaminen.....	46
3.3 Vyöpidikkeen säätäminen.....	46
3.4 Kiinnittimien lataaminen.....	46
3.5 Kiinnittimien poistaminen.....	46
3.6 Juuttuneiden kiinnittimien poistaminen.....	47
3.7 Syvyyden säätö.....	47
3.8 Suojakärjen tarkastaminen.....	47
3.9 Laukaisutavan säätäminen.....	47
3.10 Tilan merkkivalo.....	47
3.11 Tuotteen käyttäminen kylmissä lämpötiloissa.....	47
4 Kuljettaminen	47
5 Säilytys	47
6 Ylläpito	48
6.1 Tuotteen puhdistaminen.....	48
7 Hävittäminen	48
8 Huolto	48
9 Tekninen data	48

1 Johdanto

1.1 Tuote

Tuote on akkukäyttöinen naulain, jossa on kaksi eri laukaisutapaa. Tuote on osa Meec Tools Multiseries 18 V -sarjaa. Hakaset, akku ja akkulaturi eivät sisälly toimitukseen.

1.2 Käyttötarkoitus

Tuotetta käytetään erilaisten materiaalien kiinnittämiseen puupintoihin ja muihin soveltuviin materiaaleihin, kuten paperiin, eristeisiin, nahkaan tai rakennusmuoviin. Vain kotikäyttöön.

1.3 Symbolit

	Lue käyttöohjeet huolellisesti ja varmista ennen tuotteen käytön aloittamista, että olet ymmärtänyt ohjeet. Säilytä ohjeet myöhempiä käyttöä varten.
	Käytä suojalaseja.
	Käytä kuulosuojaimia.
	Tämä tuote on sovellettavien EU:n direktiivien ja säädösten mukainen.
	Kierrätetään sähkö- ja elektroniikkajätteen mukana.

1.4 Tuotteen yleiskuvas

Kuva 1

1. Syvyyden säätö
2. LED-työvalo
3. Virtalaukaisin
4. Kahva
5. Akunpidike
6. Vyöpidike
7. Lippaan vapautuspainike (toisella puolella)
8. Tilan valintakytkin
9. Tilan merkkivalo
10. Lipas
11. Suojatyyny
12. Turvallisuusvinkki

2 Turvallisuus

2.1 Turvallisuusmääräykset

! **Varoitus!** Jos näitä ohjeita ei noudateta, seurauksena voi olla kuolema tai vammautuminen.

! **Huomio!** Jos näitä ohjeita ei noudateta, tuote, muut materiaalit tai ympäröivä alue voivat vahingoittua.

Huom. Tilannekohtaiset välttämättömät tiedot.

2.2 Sähkötyökalujen yleiset turvallisuusvaroitukset

! **Varoitus!** Jos näitä ohjeita ei noudateta, seurauksena voi olla kuolema tai vammautuminen.

! **Varoitus!** Lue kaikki turvallisuusvaroitukset ja ohjeet. Varoitusten ja ohjeiden noudattamatta jättäminen voi aiheuttaa sähköiskun, tulipalon ja/tai vakavan loukkaantumisen.

! **Varoitus!** Säilytä kaikki varoitukset ja ohjeet myöhempää käyttöä varten. Varoituksissa oleva termi "sähkötyökalu" tarkoittaa verkkovirralla toimivaa (johdollista) sähkötyökalua tai akkukäyttöistä (johdotonta) sähkötyökalua.

Huomaa! Tuote on akkukäyttöinen. Lue akun ja laturin turvaohjeet niiden käyttöohjeista.

2.3 Työalueen turvallisuus

- Pidä työalue puhtaana ja hyvin valaistuna. Sotkuiset tai pimeät alueet aiheuttavat onnettomuusriskin.
- Älä käytä sähkötyökaluja räjähdyshaluissa ympäristössä, kuten syttyvien nesteiden, kaasujen tai pölyn lähellä. Sähkötyökalusta syntyy kipinöitä, jotka voivat sytyttää pölyn tai höyryn.
- Pidä lapset ja sivulliset loitolla käyttäessäsi sähkötyökalua. Voit menettää työkalun hallinnan, mikäli suuntaat huomiosi muualle.

2.4 Sähköturvallisuus

- Sähkötyökalujen pistokkeiden on sovittava pistorasiaan. Pistoketta ei saa muokata millään tavalla. Älä käytä sovitinpistokkeita maadoitettujen sähkötyökalujen kanssa. Muokkaamattomat pistokkeet ja sopivat pistorasiat vähentävät sähköiskun vaaraa.
- Vältä kosketusta maadoitettuihin pintoihin, kuten putkiin, lämpöpattereihin, liesiin tai jääkaappiin. Sähköiskun vaara on suurempi, jos kehosi on maadoitettu.

- Älä altista sähkötyökaluja sateelle tai kosteille olosuhteille. Sähkötyökaluun pääsevä vesi lisää sähköiskun vaaraa.
- Älä käytä johtoa väärin. Älä koskaan kannata tai vedä sähkötyökalua siten, että pidät kiinni vain johdosta, Äläkä koskaan irrota sitä pistorasiasta johdosta vetämällä. Pidä johto loitolla lämmöstä, öljystä, terävistä reunoista tai liikkuvista osista. Vaurioituneet tai sotkeutuneet johdot lisäävät sähköiskun vaaraa.
- Kun käytät sähkötyökalua ulkona, käytä ulkokäyttöön sopivaa jatkojohtoa. Ulkokäyttöön sopivan johdon käyttö vähentää sähköiskun vaaraa.
- Jos sähkötyökalun käyttöä kosteassa paikassa ei voida välttää, käytä vikavirtasuojattua (RCD) virransyöttöä. Vikavirtasuojaus vähentää sähköiskun riskiä.

2.5 Henkilökohtainen turvallisuus

- Pysy valppaana, katso, mitä olet tekemässä ja käytä tervettä järkeä aina, kun käytät sähkötyökalua. Älä käytä sähkötyökalua väsyneenä tai huumeiden, alkoholin tai lääkkeiden vaikutuksen alaisena. Jos huomiosi herpaantuu pieneksikin hetkeksi käyttäessäsi sähkötyökaluja, seurauksena voi olla vakava henkilövamma.
- Käytä henkilösuojaimia. Käytä aina suojalaseja.
- Olosuhteiden vaatimukset täyttävien henkilösuojainten käyttäminen vähentää käyttäjille aiheutuvia vammoja. Näitä ovat muun muassa hengityssuojain, liukumattomat turvajalkineet, suojakypärä ja kuulosuojaimet.
- Estä tuotteen tahaton käynnistyminen. Varmista, että kytkin on off-asennossa, ennen kuin kytket työkalun virtalähteeseen ja/tai akkuun taikka nostat tai kannat työkalua. Jos kannat sähkötyökalua sormi virtakytkimellä tai kytket sähkötyökalun virtalähteeseen siten, että virtakytkin on päällä, seurauksena voi olla tapaturma.
- Poista mahdolliset säätöavaimet tai jakoavaimet ennen sähkötyökalun käynnistämistä. Jakoavain tai avain, joka on jätetty kiinni sähkötyökalun pyöriivään osaan, voi aiheuttaa henkilövamman.
- Älä kurota. Säilytä aina tukeva asento ja tasapaino. Tällöin sähkötyökalua on helpompi hallita yllätyksissä tilanteissa.
- Käytä asianmukaisia vaatteita. Älä käytä löysiä vaatteita tai koruja. Pidä hiukset, vaatteet ja käsineet loitolla liikkuvista osista. Löysät vaatteet, korut tai pitkät hiukset voivat juuttua liikkuviin osiin.
- Jos laitteessa on kytkentämahdollisuus pölynpoisto- ja keräyslaitteelle, varmista, että se kytketään ja että sitä käytetään oikein. Pölynkeräyslaitteen käyttö voi vähentää pölyyn liittyviä vaaroja.

- Vaikka olisit käyttänyt työkaluja usein ja tuntisit ne hyvin, muista aina ottaa huomioon työkalun turvamääräykset. Huolimaton käyttö voi aiheuttaa vakavia vahinkoja sekunnin murto-osassa.

2.6 Sähkötyökalun käyttö ja hoito

- Älä pakota sähkötyökalua. Käytä käyttötarkoitukseen suunniteltua sähkötyökalua. Oikean sähkötyökalun avulla työ sujuu paremmin ja turvallisemmin sillä nopeudella, jota varten se on suunniteltu.
- Älä käytä sähkötyökalua, jos virtakytintä ei voi kääntää päälle ja pois. Jos sähkötyökalua ei voi ohjata kytkimellä, se on vaarallinen ja se pitää korjata.
- Irrota pistoke virtalähteestä ja/tai irrota akku sähkötyökalusta ennen kuin säädät työkalua, vaihdat lisävarusteita tai siirrä työkalun varastoon. Tällaiset varoimet vähentävät riskiä, että sähkötyökalu käynnistetään vahingossa.
- Säilytä sähkötyökalut poissa lasten ulottuvilta, äläkä anna sähkötyökalua sellaisen henkilön käyttöön, joka ei ole perehtynyt sen käyttöön sitä tai näihin ohjeisiin. Sähkötyökalut ovat vaarallisia kouluttamattomien käyttäjien käsissä.
- Huolla sähkötyökaluja ja lisävarusteita. Tarkista etteivät liikkuvat osat ole väärin suunnattuja tai kiinni juuttuvia ja ettei mikään osa ole vaurioitunut sekä kaikki muut tekijät, jotka voivat vaikuttaa sähkötyökalun toimintaan. Jos sähkötyökalu on vahingoittunut, korjauta se ennen käyttöä. Monet onnettomuudet johtuvat huonosti huolletuista sähkötyökaluista.
- Käytä sähkötyökalua, lisävarusteita ja työkalun teriä jne. näiden ohjeiden mukaisesti siten, että otat huomioon työolosuhteet ja suoritettavan tehtävän. Sähkötyökalun käyttäminen muihin kuin sille tarkoitettuihin tehtäviin voi aiheuttaa vaaratilanteen.
- Pidä kahvat ja tartuntapinnat kuivina, puhtaina sekä öljyttöminä ja rasvattomina. Jos kahvat tai tartuntapinnat ovat liukkaita, ei työkalua voi käsitellä turvallisesti, ja sitä on vaikea hallita odottamattomissa tilanteissa.

2.7 Akkukäyttöisen työkalun käyttö ja hoito

- Lataa akku vain valmistajan tarkoitukseen nimeämällä laturilla. Tietyn tyyppiselle akulle sopiva laturi voi aiheuttaa tulipalon vaaran, kun sitä käytetään jonkin muun akun kanssa.
- Käytä sähkötyökaluja vain niille määritettyjen akkujen kanssa. Muiden akkujen käyttö voi aiheuttaa tapaturman tai tulipalon vaaran.

2.8 Melulle ja värinälle altistumisen minimoimiseksi

- Suunnittele työ siten, että altistuminen voimakkaalle värinälle jakautuu pidemmälle ajanjaksolle.
- Vähennä melua ja värinää käytön aikana rajoittamalla työkalun käyttöaikaa ja käyttämällä pienitehoista tilaa / värinätilaa ja sopivia suojavälineitä.
- Noudata seuraavia varotoimia värinälle ja/tai melulle altistumisen vaaran minimoimiseksi:
- Tarkista, että työkalu on hyvässä kunnossa.
- Käytä vain hyväkuntoisia ja työhön sopivia tarvikkeita.
- Pidä tukeva ote kahvoista/ottimista.

2.9 Naulaimen turvallisuusvaroitukset

- Ole varovainen siirtäessäsi tuotetta. Ota aina huomioon, että tuote on täynnä kiinnittimiä. Tuotteen virheellinen käsittely voi aiheuttaa tahattomasti tulipalon ja vammoja.
- Älä suuntaa tuotetta itseäsi, muita ihmisiä tai eläimiä kohti. Kiinnittimien laukaisu vahingossa voi aiheuttaa vakavia vammoja.
- Pidä sormesi ja muut kehonosasi poissa tuotteen ulostuloaukosta.
- Suojaa työkappale tarvittaessa kiinnityslaitteella vammojen estämiseksi.
- Älä käytä tuotetta, ellei sitä ole painettu tiukasti työkappaleta vasten. Tuotteen virheellinen käyttö voi aiheuttaa kiinnittimien hallitsemattoman sinkoutumisen ja vammoja.
- Vältä tahaton käyttö ja loukkaantumiset pysäyttämällä tuote ja poistamalla akku ennen kuin asetat siihen kiinnittimillä täytetyn lipaan.
- Ole varovainen irrottaessasi juuttuneita kiinnittimiä. Lipas voi olla kireällä, ja kiinnitin voi yhtäkkiä laueta voimalla, kun yrität irrottaa sitä.
- Älä käytä tuotetta sähkökaapeleiden kiinnittämiseen. Naulaimet eivät sovellu sähköasennustöihin, koska ne voivat vahingoittaa kaapelin eristystä ja aiheuttaa sähköiskun tai tulipalon.

2.10 Muut turvaohjeet

- Irralliset työkappaleet on aina kiinnitettävä.
- Odota aina, että tuote on pysähtynyt kokonaan, ennen kuin lasket sen pois käsistäsä. Tuote voi juuttua kiinni, mikä voi aiheuttaa hallinnan menettämisen.

2.1 Käytön turvaohjeet

- Lue varoitusohjeet ja noudata niitä ennen käyttöä.
- Älä käytä tuotetta, jos olet väsynyt, sairas tai päihtynyt. Nämä seikat heikentävät näkökykyäsi, valppauttasi, koordinaatiokykyäsi ja harkintakykyäsi.
- Älä anna lasten tai sellaisten henkilöiden, jotka eivät hallitse tuotteen käyttöä, käyttää sitä.
- Älä käytä tuotetta, jos se on vahingoittunut.
- Älä tee tuotteeseen muutoksia.
- Käytä tuotetta vain käyttötarkoituksensa mukaisesti.

2.1.1 Jäännösriskit

Jäännösriskejä on aina olemassa, vaikka tuotetta käytettäisiin ohjeiden mukaisesti.

Tämän sähkötyökalan tyyppiin ja rakenteeseen voi liittyä seuraavia vaaroja:

- Kuulovaurio, jos kuulosuojaimia ei käytetä.
- Terveysvammat, jotka johtuvat tärinän vaikutuksesta käsiin ja käsivarsiin, kun tuotetta käytetään pitkään tai kun sitä ei käytetä ja huolleta oikein.
- Koneen käytön aikana syntyvän sähkömagneettisen kentän aiheuttama vaara. Tietyissä olosuhteissa tämä kenttä voi vaikuttaa negatiivisesti aktiivisiin tai passiivisiin lääketieteellisiin implanteihin.
- Vakavien tai kuolemaan johtavien vammojen vaaran vähentämiseksi on suositeltavaa, että lääketieteellisiä implantteja käyttävät henkilöt keskustelevat lääkärinsä ja implantin valmistajan kanssa ennen koneen käyttöä.

3 Käyttö

3.1 Toiminta ennen toimenpidettä

! **Varoitus!** Tarkasta valittu tila ennen jokaista käyttöä loukkaantumista välttämiseksi.

3.2 Akun kiinnittäminen ja irrottaminen

! **Huomio!** Varmista, että akku on kiinnitetty oikein. Jos akku irtoaa, se voi aiheuttaa henkilövahinkoja.

! **Huomio!** Älä yritä asettaa akkua paikalleen väkisin. Jos sitä ei ole helppo kiinnittää, se ei ole oikein kohdistettu.

3.2.1 Akun kiinnittäminen

Kuva 2

- 1 Kohdistaa akku kotelon aukkoihin.
- 2 Työnnä akkua, kunnes kuulet napsahduksen.

3.2.2 Akun irrottaminen

- 1 Paina akun etuosassa olevaa painiketta.
- 2 Vedä akku ulos akkuliitännästä.

3.3 Vyöpidikkeen säätäminen

Vyöpidike voidaan kiinnittää tuotteen vasemmalle tai oikealle puolelle.

Kuva 3

- 1 Irrota ruuvi ruuvimeisselillä.
- 2 Aseta vyöpidike sopivaan asentoon.
- 3 Kiinnitä vyöpidike ja kiristä ruuvi.

3.4 Kiinnittimien lataaminen

! **Varoitus!** Varmista, että akkua ei ole kiinnitetty.

! **Varoitus!** Älä suuntaa tuotetta itseäsi tai muita ihmisiä kohti, kun lataat tuotetta, sillä se aiheuttaa loukkaantumista.

! **Varoitus!** Varmista, että liipaisin tai lukitusmekanismi ei ole aktivoitu, kun lataat tuotteen, sillä se voi aiheuttaa loukkaantumista.

! **Huomio!** Käytä vain valmistajan suosittelemia kiinnittimiä. Muiden kiinnittimien käyttö voi aiheuttaa vammoja tai aineellisia vahinkoja. Katso lisätietoja kohdasta "9 Tekninen data" sivulla 48.

- 1 Paina lukituspainiketta. (Kuva 9)
- 2 Vedä liipaisimen suojuksen taakse. (Kuva 10)
- 3 Aseta kiinnittimen liipaisimeen.
- 4 Työnnä liipaisimen suojusta eteenpäin, kunnes se napsahtaa paikalleen. Varmista, että se on lukittu oikein.

- Kun lataat lippaan naulakiinnittimillä, naulan kärjen tulee osoittaa alaspäin ja asetusta liipaisimen alareunaa vasten.
- Kun lataat lippaan hakasilla, aseta hakasten yläreuna lippaan yläreunaa vasten.

3.5 Kiinnittimien poistaminen

! **Varoitus!** Varmista, että akkua ei ole kiinnitetty.

! **Varoitus!** Poista kiinnittimet lippaasta ennen tuotteen siirtämistä sivuun.

- 1 Paina lukituspainiketta. (Kuva 4)
- 2 Vedä liipaisimen suojus taakse.
- 3 Irrota kiinnittimet lippaasta.
- 4 Työnnä lippaan suojusta eteenpäin, kunnes se napsahtaa paikalleen. Varmista, että se on lukittu oikein.

3.6 Juuttuneiden kiinnittimen poistaminen

! **Varoitus!** Varmista, että akkua ei ole kiinnitetty.

! **Huomio!** Tuote ei käynnisty, jos laukaisumeکانismi on tukossa.

- 1 Paina lukituspainiketta. (Kuva 4)
- 2 Vedä liipaisimen suojus taakse.
- 3 Irrota juuttunut kiinnitin. Käytä tarvittaessa naulaa tai muuta esinettä kiinnittimen poistamiseen.

3.7 Syvyyden säätö

Huom. Kovien materiaalien ja pitkien naulojen käsittely edellyttää enemmän voimaa.

Kuva 6

- Lisää syvyyttä kääntämällä säätönuppia vasemmalle.
- Vähennä syvyyttä kääntämällä säätönuppia oikealle.

Huom. Etsi sopiva syvyys tekemällä testi työkappaleelle.

3.8 Suojakärjen tarkastaminen

! **Varoitus!** Tarkista suojakärki ennen jokaista käyttöä. Älä käytä tuotetta, jos suojakärki on vaurioitunut.

- Suojakärjen pitää voida liikkua vapaasti. Varmista, että se palaa kokonaan pidennettyyn asentoonsa sen jälkeen, kun se on työnnetty sisään.

3.8.1 Suojatyynyn vaihtaminen

! **Varoitus!** Varmista, että akkua ei ole kiinnitetty, ennen kuin poistat tai vaihdat suojatyynyn, sillä se voi aiheuttaa vakavan loukkaantumisvaara.

- Suojatyyny suojaa työkappaletta jäljiltä ja vaurioilta.

- 1 Vedä suojatyyny irti suojakärjestä ja kiinnitä uusi suojatyyny.

3.9 Laukaisutavan säätäminen

! **Varoitus!** Älä käytä tuotetta, jos kiinnittimien ulostuloaukkoa ei ole asetettu tiiviisti työkappaletta vasten.

Kuva 7

3.9.1 Yksittäistoimintatila

Tämä tila soveltuu yksittäisen kiinnittimen tarkkaan asettamiseen.

- Siirrä tilanvalitsin vasemmanpuoleiseen asentoon. Kun yksittäistoimintatila on valittuna, liipaisinta on painettava joka kerta, kun halutaan laukaista kiinnitin.

Huom. Suojakärki ja liipaisin on painettava alas, jotta tuotetta voidaan käyttää.

3.9.2 Kosketustoimintatila

Tämä tila soveltuu nopeaan ja toistuvaan käyttöön.

- Siirrä tilanvalitsin oikeanpuoleiseen asentoon. Kosketustoimintatilassa kiinnitin laukaistaan aina, kun suojakärki painetaan työkappaletta vasten ja liipaisinta painetaan samalla.

3.10 Tilan merkkivalo

Tilan merkkivalo vilkkuu, kun akun varaus on vähissä, lipas on tyhjä tai kiinnitin on juuttunut.

3.11 Tuotteen käyttäminen kylmissä lämpötiloissa

Huom. Kylmä lämpötila voi heikentää akun suorituskykyä ja käyttöikää.

- Pidä tuote mahdollisimman lämpimänä ennen käyttöä.
- Käytä tuotetta työkappaleessa 5–6 kertaa ennen käyttöä.

4 Kuljettaminen

- Anna tuotteen pysähtyä kokonaan ja poista akku ennen kuin kuljetat tuotetta.

5 Säilytys

- Jos tuotetta ei käytetä pitkään aikaan, poista akku ja säilytä tuotetta puhtaassa ja kuivassa paikassa lasten ja lemmikkieläinten ulottumattomissa.

6 Ylläpito

! **Huomio!** Pysäytä tuote ja irrota akku ennen huoltotoimenpiteitä.

6.1 Tuotteen puhdistaminen

! **Huomio!** Älä käytä voimakkaita pesuaineita tai hankaavia puhdistusaineita, jotta tuotteen pinta ei vahingoitu.

- Puhdista tuote tarvittaessa kuivalla liinalla.
- Käytä paineilmaa tai harjaa vaikeapääsyisten alueiden puhdistamiseen.

6.1.1 Kiinnitinlipkaan puhdistaminen

Naulanauhasta jääneet liimajäämät voivat aiheuttaa kiinnittimien laukaisu- ja syöttövirheitä. Estä ongelmat puhdistamalla laukaisumekanismien ympäristö.

- 1 Vedä liipaisimen suojus taakse ja irrota kiinnikkeet.
- 2 Levitä paineilmatyökaluöljyä puhtaalle kankaalle ja puhdista kaikki liimajäämät lipkaan sisältä.

7 Hävittäminen

- Varmista, että hävität tuotteen paikallisten määräysten mukaisesti. Älä polta tuotetta.

8 Huolto

! **Varoitus!** Vain valtuutettu henkilöstö saa korjata tuotteen.

- Sähkötyökaluja saavat huoltaa vain ammattitaitoiset henkilöt käyttämällä niille tarkoitettuja, vastaavia varaosia. Tämä varmistaa, että sähkötyökalu on turvallinen käyttää myös huollon jälkeen.

9 Tekninen data

Tekniset tiedot	Arvo
Nimellisjännite	18 V DC, 2 Ah
Laukaisutaajuus	60/min
Lipas	100 kpl
Laukaisu/lataus	700
Latausaika	45 min
Paino	2,8 kg
Kiinnittimien tyyppi	Naulat 18 GA
	Hakaset 18 GA 1/4"
Kiinnittimien pituus	Naulat 5/8" -2"
	Hakaset 16-40 mm
Melutasot	
Äänenpainetaso, L _{pA}	83 dB (A), K = 3 dB
Äänitehotaso, L _{WA}	94 dB(A), K=3 dB
Tärinätaso ¹	2,2 m/s ² , K=1,5 m/s ²

! **Varoitus!** Käytä aina kuulosuojaimia!

! **Varoitus!** Todellinen tärinä- ja melutaso työkalun käytön aikana voi poiketa määritetystä enimmäisarvosta käyttötavan ja materiaalin mukaan. Sen vuoksi on välttämätöntä määrittää, mitä turvatoimenpiteitä tarvitaan käyttäjän suojaamiseen todellisissa käyttöolosuhteissa syntyvän arvioitun altistumisen mukaisesti (huomioiden kaikki työvaiheet, kuten työkalun virrankatkaisujan, tyhjäkäyntiajan ja käynnistysajan).

¹ Ilmoitettuja tärinä- ja meluarvoja, jotka on mitattu standardoidulla testimenetelmällä, voidaan käyttää eri työkalujen vertailuun ja alustavaan altistumisarviointiin. Mittausarvot on määritetty standardin EN 60745-2-16:2010 mukaisesti.

Sommaire

1 Introduction	49
1.1 Le produit.....	49
1.2 Utilisation prévue.....	49
1.3 Symboles.....	49
1.4 Présentation du produit.....	49
2 Sécurité	50
2.1 Définitions relatives à la sécurité.....	50
2.2 Avertissements de sécurité généraux pour les outils électriques.....	50
2.3 Sécurité sur le lieu de travail.....	50
2.4 Sécurité électrique.....	50
2.5 Sécurité personnelle.....	50
2.6 Utilisation et entretien des outils électriques.....	51
2.7 Utilisation et entretien des outils à batterie.....	51
2.8 Pour minimiser l'exposition au bruit et aux vibrations.....	51
2.9 Avertissement de sécurité pour cloueuse.....	51
2.10 Consignes de sécurité personnelles.....	52
2.11 Consignes de sécurité pour le fonctionnement.....	52
3 Utilisation	52
3.1 A faire avant toute utilisation.....	52
3.2 Pour mettre en place et retirer une batterie.....	52
3.3 Pour régler le clip de ceinture.....	52
3.4 Pour charger des fixations.....	52
3.5 Pour retirer des fixations.....	53
3.6 Pour retirer les fixations bloquées.....	53
3.7 Pour régler la profondeur de fonctionnement.....	53
3.8 Pour vérifier l'embout de sécurité.....	53
3.9 Pour régler le mode de tir.....	53
3.10 Indicateur d'état.....	53
3.11 Pour utiliser le produit à de basses températures.....	54
4 Transport	54
5 Stockage	54
6 Maintenance	54
6.1 Pour nettoyer le produit.....	54
7 Mise au rebut	54
8 Entretien	54
9 Données techniques	54

1 Introduction

1.1 Le produit

Le produit est une cloueuse sans fil avec 2 modes de tir différents. Le produit fait partie de la gamme Meecc Tools Multiseries 18 V. Clous, batterie et chargeur non compris.

1.2 Utilisation prévue

Le produit est utilisé pour fixer différents matériaux sur des surfaces en bois et d'autres matériaux applicables, par exemple le papier, les isolants, le cuir ou le plastique de construction. Uniquement pour un usage domestique.

1.3 Symboles

	Lisez attentivement le mode d'emploi et veillez à bien en comprendre les instructions avant d'utiliser le produit. Conservez ces instructions pour référence future.
	Portez des lunettes de protection.
	Portez une protection auditive.
	Ce produit est conforme aux directives et réglementations européennes en vigueur.
	Recycler comme déchet électrique.

1.4 Présentation du produit

Figure 1

1. Ajusteur de profondeur
2. Lampe de travail à LED
3. Gâchette de vitesse
4. Poignée
5. Port de batterie
6. Clip de ceinture
7. Bouton de déverrouillage du chargeur (de l'autre côté)
8. Sélecteur de mode
9. Indicateur de statut
10. Chargeur
11. Coussin de sécurité
12. Embout de sécurité

2 Sécurité

2.1 Définitions relatives à la sécurité

⚠ Avertissement ! Le non-respect de ces instructions induit un risque de mort ou de blessure.

⚠ Attention ! Le non-respect des présentes instructions induit un risque d'endommagement du produit, de tout autre matériel ou de la zone adjacente.

Remarque ! Informations nécessaires dans une situation donnée.

2.2 Avertissements de sécurité généraux pour les outils électriques

⚠ Attention ! Le non-respect de ces instructions induit un risque de mort ou de blessure.

⚠ Attention ! Lisez tous les avertissements de sécurité et toutes les instructions. Le non-respect des avertissements et instructions peut entraîner des chocs électriques, des incendies et/ou des blessures graves.

⚠ Attention ! Conservez tous les avertissements et toutes les instructions pour référence ultérieure. Les termes « outil électrique » utilisés dans les avertissements font référence à votre outil électrique fonctionnant sur secteur (avec fil) ou sur batterie (sans fil).

Remarque ! Le produit fonctionne sur batterie. Veuillez consulter les manuels d'utilisation de la batterie et du chargeur pour prendre connaissance des consignes de sécurité les concernant.

2.3 Sécurité sur le lieu de travail

- Veillez à ce que la zone de travail soit propre et bien éclairée. Les zones encombrées ou sombres sont propices aux accidents.
- N'utilisez pas d'outils électriques dans des atmosphères explosives, par exemple en présence de liquides, de gaz ou de poussières inflammables. Les outils électriques produisent des étincelles qui peuvent enflammer la poussière ou les fumées.
- Tenez les enfants et les personnes présentes à l'écart lorsque vous utilisez un outil électrique. Les distractions peuvent vous faire perdre le contrôle.

2.4 Sécurité électrique

- Les fiches des outils électriques doivent correspondre à la prise de courant. Ne modifiez jamais la fiche de quelque manière que ce soit. N'utilisez pas de fiches d'adaptation avec des outils électriques mis à la terre. Des fiches non modifiées et des prises de courant adaptées réduisent le risque de choc électrique.

- Évitez tout contact du corps avec des surfaces mises à la terre, telles que des tuyaux, des radiateurs, des cuisinières et des réfrigérateurs. Le risque de choc électrique est accru si votre corps est mis à la terre.
- N'exposez pas les outils électriques à la pluie ou à l'humidité. La pénétration d'eau dans un outil électrique augmente le risque d'électrocution.
- Ne maltraitez pas le fil. Ne jamais utiliser le fil pour transporter, tirer ou débrancher l'outil électrique. Éloignez le fil de la chaleur, de l'huile, des arêtes vives ou des pièces mobiles. Les fils d'alimentation endommagés ou emmêlés augmentent le risque de choc électrique.
- Lorsque vous utilisez un outil électrique à l'extérieur, utilisez une rallonge adaptée à l'extérieur. L'utilisation d'un fil adapté à l'extérieur réduit le risque de choc électrique.
- Si l'utilisation d'un outil électrique dans un endroit humide est inévitable, utilisez une alimentation protégée par dispositif à courant résiduel (DCR). L'utilisation d'un DCR réduit le risque de choc électrique.

2.5 Sécurité personnelle

- Restez vigilant, regardez ce que vous faites et faites preuve de bon sens lorsque vous utilisez un outil électrique. N'utilisez pas un outil électrique si vous êtes fatigué(e) ou sous l'influence de drogues, d'alcool ou de médicaments. Un moment d'inattention lors de l'utilisation d'outils électriques peut entraîner des blessures corporelles graves.
- Utilisez un équipement de protection individuelle. Portez toujours des lunettes de protection.
- Un équipement de protection, comme un masque antipoussière, des chaussures de sécurité antidérapantes, un casque de protection ou une protection auditive, utilisés dans des conditions appropriées, réduira les blessures corporelles.
- Prévenez tout démarrage intempestif. Assurez-vous que l'interrupteur est en position d'arrêt avant de brancher la source d'alimentation et/ou le bloc-batterie, et de saisir ou de porter l'outil. Le fait de porter des outils électriques avec le doigt sur l'interrupteur ou mettre sous tension des outils électriques dont l'interrupteur est allumé est propice à des accidents.
- Retirez toute clé de réglage ou clé à molette avant de mettre l'outil en marche. Une clé fixée à une pièce rotative de l'outil électrique peut entraîner des blessures.
- N'allez pas trop loin. Gardez un bon appui et un bon équilibre à tout moment. Cela permet de mieux contrôler l'outil électrique dans des situations inattendues.
- Habillez-vous de façon appropriée. Ne portez pas de vêtements amples ni de bijoux. Gardez vos cheveux et vos vêtements à l'écart des pièces mobiles. Les vêtements amples, les bijoux ou les cheveux longs peuvent se prendre dans les pièces en mouvement.

- Si des dispositifs sont prévus pour le raccordement d'installations d'extraction et de collecte des poussières, veillez à ce qu'ils soient raccordés et utilisés correctement. L'utilisation d'un système de collecte des poussières peut réduire les dangers liés à la poussière.
- Ne laissez pas la familiarité acquise par l'utilisation fréquente des outils vous amener à devenir négligent(e) et à ignorer les principes de sécurité des outils. Un geste imprudent peut entraîner des blessures graves en une fraction de seconde.

2.6 Utilisation et entretien des outils électriques

- Ne forcez pas sur l'outil électrique. Utilisez l'outil électrique adapté à votre tâche. L'outil électrique adéquat effectuera le travail bien mieux et de façon plus sûre, à la vitesse pour laquelle il a été conçu.
- N'utilisez pas l'outil électrique si l'interrupteur ne permet pas de le mettre en marche et de l'éteindre. Tout outil électrique qui ne peut être contrôlé par l'interrupteur est dangereux et doit être réparé.
- Débranchez la fiche de la source d'alimentation et/ou retirez le bloc-batterie, s'il est amovible, de l'outil électrique avant d'effectuer tout réglage, de changer d'accessoires ou de remettre les outils. De telles mesures de sécurité préventives réduisent le risque de démarrage accidentel de l'outil électrique.
- Remisez les outils électriques à l'arrêt hors de portée des enfants et ne permettez pas à des personnes ne connaissant pas l'outil ou les présentes instructions de l'utiliser. Les outils électriques sont dangereux entre les mains d'utilisateurs non formés.
- Entretenez les outils électriques et leurs accessoires. Vérifiez si les pièces mobiles ne sont pas mal alignées ou coincées, si les pièces ne sont pas cassées et si rien n'est susceptible d'affecter le fonctionnement de l'outil électrique. S'il est endommagé, faites réparer l'outil électrique avant de l'utiliser. De nombreux accidents sont causés par des outils électriques mal entretenus.
- Utilisez l'outil électrique, les accessoires et les embouts, etc. conformément aux présentes instructions, en tenant compte des conditions de travail et de la tâche à accomplir. L'utilisation de l'outil électrique pour des tâches autres que celles prévues peut induire une situation dangereuse.
- Gardez les poignées et les surfaces de préhension sèches, propres et exemptes d'huile et de graisse. Des poignées et des surfaces de préhension glissantes ne permettent pas de manipuler et de contrôler l'outil en toute sécurité dans des situations imprévues.

2.7 Utilisation et entretien des outils à batterie

- Rechargez uniquement avec le chargeur spécifié par le fabricant. Un chargeur adapté à un seul type de bloc-batterie peut présenter un risque d'incendie s'il est utilisé avec un autre type de bloc-batterie

- Utilisez les outils électriques exclusivement avec des blocs-batteries spécialement conçus à cet effet. L'utilisation d'autres blocs-batteries peut entraîner un risque de blessure et d'incendie.

2.8 Pour minimiser l'exposition au bruit et aux vibrations

- Planifiez les travaux afin que l'exposition aux fortes vibrations soit répartie sur une période plus longue.
- Pour réduire le bruit et les vibrations en cours d'utilisation, limitez la durée d'utilisation de l'outil, utilisez un mode faible puissance/vibrations et portez un équipement de sécurité approprié.
- Prenez les précautions suivantes pour réduire à un minimum les risques d'exposition aux vibrations et/ou au bruit :
 - Vérifiez si l'outil est en bon état.
 - N'utilisez que des accessoires en bon état et adaptés au travail.
 - Tenez l'outil fermement par les poignées.

2.9 Avertissement de sécurité pour cloueuse

- Il convient d'être prudent en déplaçant le produit. Ne perdez pas de vue que le produit est chargé. Une mauvaise manipulation du produit peut provoquer des tirs accidentels et des blessures.
- Ne pointez pas le produit vers vous-même, d'autres personnes ou des animaux. Le tir accidentel de fixations peut causer des blessures graves.
- Gardez vos doigts et les parties de votre corps à l'écart de l'orifice de sortie des fixations.
- Sécurisez la pièce à l'aide d'un dispositif de fixation si nécessaire, afin d'éviter les blessures.
- N'utilisez pas le produit à moins qu'il ne soit fermement poussé contre la pièce à usiner. Un mauvais fonctionnement du produit peut provoquer une éjection incontrôlée de fixations et causer des blessures.
- Pour éviter toute utilisation accidentelle et des blessures, arrêtez le produit et retirez-en la batterie avant de remplir le chargeur de fixations.
- Il convient d'être prudent quand vous retirez des fixations bloquées. Le chargeur peut être sous tension et la fixation peut soudainement être éjectée avec force lorsque l'on tente de la débloquer.
- N'utilisez pas le produit pour attacher des câbles électriques. Les cloueuses ne peuvent être utilisées pour des travaux d'installation électrique, car elles peuvent endommager l'isolation du câble et provoquer un choc électrique ou un incendie.

2.10 Consignes de sécurité personnelles

- Les pièces détachées doivent toujours être sécurisées.
- Attendez toujours que le produit soit complètement arrêté avant de le poser. Le produit peut se coincer et vous faire perdre le contrôle.

2.11 Consignes de sécurité pour le fonctionnement

- Veuillez lire et respecter les instructions d'avertissement avant l'utilisation.
- N'utilisez pas le produit si vous êtes fatigué(e), malade ou en état d'ébriété. Cela diminuera votre vision, votre vigilance, votre coordination et votre jugement.
- Ne laissez pas des enfants ou des personnes utiliser le produit sans en avoir une connaissance adéquate.
- N'utilisez pas le produit s'il est endommagé.
- N'apportez aucune modification au produit.
- Utilisez le produit uniquement pour sa fonction prévue.

2.11.1 Risques résiduels

Il y aura toujours des risques résiduels même si vous utilisez le produit conformément aux instructions.

Les dangers suivants peuvent survenir en relation avec le type et la conception de cet outil électrique :

- Dommages auditifs si une protection auditive n'est pas portée.
- Dommages à la santé résultant de l'effet des vibrations sur les mains et les bras lorsque le produit est utilisé pendant une longue période ou lorsqu'il n'est pas utilisé et entreposé correctement.
- Danger dû au champ électromagnétique généré pendant le fonctionnement de la machine. Dans certaines circonstances, ce domaine peut affecter négativement les implants médicaux actifs ou passifs.
- Afin de réduire le risque de blessures graves ou mortelles, il est recommandé aux personnes qui portent des implants médicaux de consulter leur médecin et le fabricant de l'implant avant d'utiliser la machine.

3 Utilisation

3.1 A faire avant toute utilisation

⚠ Attention ! Avant chaque utilisation, faites une vérification du mode sélectionné pour prévenir les risques de blessures.

3.2 Pour mettre en place et retirer une batterie

⚠ Attention ! Assurez-vous que la batterie est correctement fixée. Si la batterie se desserre, cela peut causer des blessures.

⚠ Attention ! Ne forcez pas pour mettre la batterie en place. Si elle n'est pas facile à fixer, c'est qu'elle n'est pas correctement alignée.

3.2.1 Pour attacher une batterie

Figure 2

- 1 Alignez la batterie sur les fentes du boîtier.
- 2 Poussez la batterie jusqu'à ce qu'un clic se fasse entendre.

3.2.2 Pour retirer une batterie

- 1 Appuyez sur le bouton situé à l'avant de la batterie.
- 2 Retirez la batterie du support de batterie.

3.3 Pour régler le clip de ceinture

Le clip de ceinture peut être fixé à gauche ou à droite du produit.

Figure 3

- 1 Retirez la vis à l'aide d'un tournevis.
- 2 Mettez le clip de ceinture dans la position appropriée.
- 3 Fixez le clip de ceinture et serrez la vis.

3.4 Pour charger des fixations

⚠ Avertissement ! Assurez-vous que la batterie n'est pas installée.

⚠ Attention ! Ne pointez pas le produit vers vous-même ou vers une autre personne lorsque vous le chargez. Risque de blessures.

⚠ Attention ! Veillez à ce que la gâchette ou le mécanisme de verrouillage ne soient pas activés lorsque vous chargez le produit. Risque de blessures.

⚠ Attention ! Utilisez exclusivement des fixations recommandées par le fabricant. L'utilisation d'autres fixations peut causer des blessures ou des dommages matériels. Voir "9 Données techniques" à la page 54.

- 1 Appuyez sur le bouton de verrouillage. (Figure 4)
- 2 Tirez le couvercle du chargeur. (Figure 5)
- 3 Glissez des fixations dans le chargeur.
- 4 Poussez le couvercle du chargeur vers l'avant jusqu'à ce qu'il s'enclenche. Veillez à ce qu'il se verrouille correctement.

- Lorsque vous chargez le chargeur avec des clous, la pointe du clou doit pointer vers le bas et être placée contre le bord inférieur du chargeur.
- Lorsque vous chargez le chargeur avec des agrafes, placez le haut des agrafes contre le bord supérieur du chargeur.

3.5 Pour retirer des fixations

⚠ Avertissement ! Veillez à ce que la batterie ne soit pas installée.

⚠ Avertissement ! Retirez les fixations du chargeur avant de ranger le produit.

- 1 Appuyez sur le bouton de verrouillage. (Figure 4)
- 2 Tirez le couvercle du chargeur.
- 3 Retirez les fixations du chargeur.
- 4 Poussez le couvercle du chargeur vers l'avant jusqu'à ce qu'il s'enclenche. Veillez à ce qu'il se verrouille correctement.

3.6 Pour retirer les fixations bloquées

⚠ Avertissement ! Veillez à ce que la batterie ne soit pas installée.

⚠ Attention ! Le produit ne démarrera pas si le mécanisme de tir est bloqué.

- 1 Appuyez sur le bouton de verrouillage. (Figure 4)
- 2 Tirez le couvercle du chargeur.
- 3 Retirez la fixation bloquée. Si nécessaire, utilisez un clou ou un autre objet pour retirer la fixation.

3.7 Pour régler la profondeur de fonctionnement

Remarque ! Les matériaux durs et les clous longs requièrent plus de puissance de tir.

Figure 6

- Tournez le bouton de réglage vers la gauche pour augmenter la profondeur de fonctionnement.
- Tournez le bouton de réglage vers la droite pour diminuer la profondeur de fonctionnement.

Remarque ! Faites un test sur une pièce pour trouver la profondeur applicable.

3.8 Pour vérifier l'embout de sécurité

⚠ Avertissement ! Vérifiez l'embout de sécurité avant chaque utilisation. N'utilisez pas le produit si l'embout de sécurité est endommagé.

- L'embout de sécurité doit pouvoir se déplacer librement. Assurez-vous qu'il revient à sa position complètement déployée après avoir été enfoncé.

3.8.1 Pour remplacer le coussin de sécurité

⚠ Avertissement ! Veillez à ce que la batterie ne soit pas installée avant de retirer ou de remplacer le coussin de sécurité. Risque de blessure grave.

- Le coussin de sécurité empêche les marques et les dommages sur la pièce.
- 1 Retirez le coussin de sécurité de l'embout de sécurité et fixez le nouveau coussin de sécurité.

3.9 Pour régler le mode de tir

⚠ Attention ! N'utilisez pas le produit à moins que la sortie des fixations ne soit fermement placée contre la pièce.

Figure 7

3.9.1 Mode de tir unique

Ce mode est applicable pour un tir unique et précis des fixations.

- Déplacez le sélecteur de mode sur la position gauche. La gâchette doit être enfoncée à chaque fois pour tirer une fixation lorsque le mode de tir unique est sélectionné.

Remarque ! L'embout de sécurité et la gâchette doivent être enfoncés pour faire fonctionner le produit.

3.9.2 Mode de fonctionnement par contact

Ce mode est applicable pour un fonctionnement rapide et répétitif.

- Déplacez le sélecteur de mode sur la position appropriée. En mode de fonctionnement par contact, une fixation est tirée chaque fois que l'embout de sécurité est appuyé contre la pièce alors que la gâchette est activée.

3.10 Indicateur d'état

L'indicateur d'état clignote lorsque la batterie est faible, que le chargeur est vide ou qu'une fixation est coincée.

3.11 Pour utiliser le produit à de basses températures

Remarque ! De basses températures peuvent avoir un effet négatif sur les performances et la durée de vie de la batterie.

- Gardez le produit aussi chaud que possible avant utilisation.
- Faites fonctionner le produit 5 à 6 fois sur une pièce avant de l'utiliser.

4 Transport

- Laissez le produit s'arrêter complètement et retirez la batterie avant de transporter le produit.

5 Stockage

- Si le produit ne doit pas être utilisé pendant un long moment, retirez-en la batterie et rangez-le dans un endroit propre et sec, hors de la portée des enfants et des animaux.

6 Maintenance

⚠ Attention ! Arrêtez le produit et retirez-en la batterie avant de procéder à l'entretien.

6.1 Pour nettoyer le produit

⚠ Attention ! Pour éviter d'endommager la surface du produit, n'utilisez pas de détergents agressifs ou de nettoyeurs abrasifs.

- Si nécessaire, nettoyez le produit à l'aide d'un chiffon sec.
- Utilisez de l'air comprimé ou une brosse pour nettoyer les zones difficiles d'accès.

6.1.1 Pour nettoyer le chargeur des fixations

Les problèmes de fonctionnement et d'alimentation des fixations peuvent être dus aux résidus de colle des bandes de clous. Nettoyez la zone autour du mécanisme d'entraînement pour éviter tout problème.

- 1 Tirez le couvercle du chargeur vers l'arrière et retirez les fixations.
- 2 Appliquez de l'huile pour outils à air comprimé sur un chiffon propre et nettoyez tous les résidus de colle à l'intérieur du chargeur.

7 Mise au rebut

- Veillez à respecter la réglementation locale quand vous mettez le produit au rebut. Ne brûlez pas le produit.

8 Entretien

⚠ Attention ! Seul le personnel agréé doit effectuer les réparations sur le produit.

- Les outils électriques ne doivent être entretenus que par du personnel agréé qui utilise des pièces de rechange identiques. Cela permet de garantir que l'outil électrique peut être utilisé en toute sécurité.

9 Données techniques

Spécifications	Valeur
Tension nominale	18 VCC, 2 Ah
Fréquence de tir	60 min
Chargeur	100 unités
Tir par charge	700
Temps de charge	45 min
Poids	2,8 kg
Type de fixations	Clous 18 GA
	Agrafes 18 GA 1/4"
Longueur des fixations	Clous 5/8" -2"
	Agrafes 16-40 mm
Niveaux de bruit	
Niveau de pression acoustique, L_{pA}	83 dB(A), K=3 dB
Niveau de puissance sonore, L_{WA}	94 dB(A), K=3 dB
Niveau de vibrations ¹	2,2 m/s ² , K=1,5 m/s ²

⚠ Attention ! Portez toujours une protection auditive !

⚠ Avertissement ! Le niveau réel de vibration et de bruit lors de l'utilisation des outils peut différer de la valeur maximale spécifiée, en fonction de la façon dont l'outil est utilisé et du matériau. Il convient dès lors de déterminer les mesures de sécurité nécessaires pour protéger l'utilisateur, sur la base d'une estimation de l'exposition dans les conditions réelles de fonctionnement (en tenant compte de toutes les étapes du cycle de travail, par exemple le moment où l'outil est éteint et celui où il est au point mort, en plus du temps de démarrage).

¹ Les valeurs déclarées pour les vibrations et le bruit, mesurées selon une méthode de test normalisée, peuvent être utilisées pour une comparaison de différents outils et une évaluation préliminaire de l'exposition. Les valeurs de mesure ont été déterminées conformément à la norme EN 60745-2-16:2010.

Inhoudsopgave

1 Inleiding	55
1.1 Het product.....	55
1.2 Beoogd gebruik.....	55
1.3 Symbolen.....	55
1.4 Productoverzicht.....	55
2 Veiligheid	56
2.1 Definities van veiligheid.....	56
2.2 Algemene veiligheidswaarschuwingen voor elektrisch gereedschap.....	56
2.3 Veiligheid werkgebied.....	56
2.4 Elektrische veiligheid.....	56
2.5 Persoonlijke veiligheid.....	56
2.6 Gebruik en onderhoud van elektrisch gereedschap.....	57
2.7 Gebruik en onderhoud van de accu.....	57
2.8 Blootstelling aan geluid en trillingen tot een minimum beperken.....	57
2.9 Veiligheidswaarschuwing voor tacker.....	57
2.10 Aanvullende veiligheidsvoorschriften.....	58
2.11 Veiligheidsvoorschriften voor gebruik.....	58
3 Gebruik	58
3.1 Te doen vóór de operatie.....	58
3.2 Een accu bevestigen en verwijderen.....	58
3.3 De riemclip aanpassen.....	58
3.4 Bevestigingen laden.....	58
3.5 Bevestigingen verwijderen.....	59
3.6 Geblokeerde bevestigingen verwijderen.....	59
3.7 De werkdiepte aanpassen.....	59
3.8 Een controle van de veiligheidspunt uitvoeren.....	59
3.9 De afvuurmodus aanpassen.....	59
3.10 De statusindicator.....	60
3.11 Het product bij koude temperaturen gebruiken.....	60
4 Vervoeren	60
5 Opbergen	60
6 Onderhoud	60
6.1 Het product schoonmaken.....	60
7 Afvoeren	60
8 Onderhoud	60
9 Technische gegevens	60

1 Inleiding

1.1 Het product

Het product is een tacker op batterijen met 2 verschillende afvuurmodi. Het product is onderdeel van de Meeo Tools Multiseries 18 V. Krammen, accu en acculader zijn niet inbegrepen.

1.2 Beoogd gebruik

Het product wordt gebruikt om verschillende materialen te bevestigen op houten oppervlakken en andere toepasbare materialen zoals papier, isolatie, leer of bouwplastic. Alleen voor huishoudelijk gebruik.

1.3 Symbolen

	Lees de gebruiksaanwijzing zorgvuldig door en zorg ervoor dat u de instructies begrijpt voordat u het product gebruikt. Bewaar de instructies voor toekomstig gebruik.
	Draag oogbescherming.
	Draag gehoorbeschermers.
	Dit product voldoet aan de geldende EU-richtlijnen en -regelgeving.
	Recyclen als elektrisch afval.

1.4 Productoverzicht

Afbeelding 1

1. Diepteversteller
2. Ledwerkklamp
3. Stroomstarter
4. Hendel
5. Accupoort
6. Riemclip
7. Magazijnontgrendelingsknop (aan de andere kant)
8. Moduskeuzeschakelaar
9. Statusindicator
10. Magazijn
11. Veiligheidskussen
12. Veiligheidspunt

2 Veiligheid

2.1 Definities van veiligheid

⚠ Waarschuwing! Als u zich niet aan deze voorschriften houdt, kan dat leiden tot (dodelijk) letsel.

⚠ Voorzichtig! Als u zich niet aan deze voorschriften houdt, kan dat leiden tot schade aan het product, overige materialen of de nabije omgeving.

Let op! Informatie die in een bepaalde situatie noodzakelijk is.

2.2 Algemene veiligheidswaarschuwingen voor elektrisch gereedschap

⚠ Waarschuwing. Als u zich niet aan deze voorschriften houdt, kan dat leiden tot (dodelijk) letsel.

⚠ Waarschuwing. Lees alle veiligheidswaarschuwingen en alle instructies. Wanneer u de waarschuwingen en instructies niet opvolgt, kan een elektrische schok, brand en/of ernstig letsel het gevolg zijn.

⚠ Waarschuwing. Bewaar alle waarschuwingen en instructies voor toekomstig gebruik. De term 'elektrisch gereedschap' in de waarschuwingen verwijst naar uw met netvoeding (met snoer) of met accu (snoerloos) aangedreven elektrische gereedschap.

Let op! Het product werkt op een accu. Raadpleeg de gebruikershandleidingen van de accu en de lader voor de veiligheidsinformatie.

2.3 Veiligheid werkgebied

- Houd het werkgebied schoon en goed verlicht. Rommelige of donkere terreinen nodigen uit tot ongelukken.
- Gebruik elektrische gereedschappen niet in een explosieve omgeving, zoals in de aanwezigheid van ontvlambare vloeistoffen, gassen of stof. Elektrische gereedschappen creëren vonken, waardoor het stof of de dampen zouden kunnen ontbranden.
- Houd kinderen en omstanders uit de buurt wanneer u een elektrisch gereedschap gebruikt. Wanneer u wordt afgeleid, kunt u de controle verliezen.

2.4 Elektrische veiligheid

- Stekkers van elektrisch gereedschap moeten passen op het contact. Breng nooit wijzigingen aan in de stekker. Gebruik geen adapters bij geaard elektrisch gereedschap. Ongewijzigde stekkers en passende contacten verkleinen het gevaar van elektrische schokken.

- Vermijd lichamelijk contact met geaarde oppervlakken, zoals leidingen, radiators, fornuizen en koelkasten. Er is een groter risico op elektrische schokken als uw lichaam geaard of in contact met massa is.
- Stel elektrisch gereedschap niet bloot aan regen of vochtige omstandigheden. Wanneer er water in een elektrisch gereedschap komt, vergroot dat het risico op een elektrische schok.
- Gebruik het snoer niet verkeerd. Gebruik het snoer nooit om het elektrische gereedschap te dragen, eraan te trekken of de stekker uit het stopcontact te halen. Houd het snoer uit de buurt van hitte, olie, scherpe randen of bewegende delen. Snoeren die zijn beschadigd of in de knoop zitten, verhogen het risico op elektrische schokken.
- Wanneer u elektrisch gereedschap buitenshuis gebruikt, gebruik dan een verlengsnoer dat geschikt is voor gebruik buitenshuis. Het gebruik van een snoer dat geschikt is voor gebruik buitenshuis vermindert het risico op elektrische schokken.
- Als het gebruik van elektrisch gereedschap in een vochtige omgeving onvermijdelijk is, gebruik dan een door een aardlekschakelaar beschermde voeding. Het gebruik van een aardlekschakelaar vermindert het risico op elektrische schokken.

2.5 Persoonlijke veiligheid

- Wees alert, let op wat u doet en gebruik uw gezond verstand wanneer u een elektrisch gereedschap bedient. Gebruik geen elektrische gereedschappen wanneer u moe of onder invloed van drugs, alcohol of medicijnen bent. Eén moment van onoplettendheid bij het gebruik van elektrisch gereedschap kan ernstig lichamelijk letsel veroorzaken.
- Gebruik een persoonlijke veiligheidsuitrusting. Draag altijd oogbescherming.
- Veiligheidsuitrusting als een stofmasker, antislip veiligheidsschoenen, een hard hoofddeksel of gehoorbescherming, gebruikt in de juiste omstandigheden, verkleint de kans op lichamelijk letsel.
- Voorkom onbedoeld starten. Zorg ervoor dat de schakelaar in de uit-stand staat voordat u het gereedschap aansluit op een stroombron en/of accupakket, het optilt of draagt. Het dragen van elektrisch gereedschap met uw vinger op de schakelaar of het activeren van elektrisch gereedschap met de schakelaar aan nodigt uit tot ongelukken.
- Verwijder eventuele stel- en moersleutels voordat u het elektrische gereedschap inschakelt. Een achtergebleven (moer)sleutel die is bevestigd aan een draaiend onderdeel van het elektrische gereedschap kan resulteren in lichamelijk letsel.

- Reik niet buiten uw macht. Zorg te allen tijde voor een goed houvast en bewaar uw evenwicht. Dan hebt u in onverwachte situaties betere controle over het elektrische gereedschap.
- Draag geschikte kleding. Draag geen losse kleding of sieraden. Houd uw haar, kleding en handschoenen uit de buurt van bewegende delen. Losse kleding, sieraden en lang haar kunnen verstrikt raken in bewegende delen.
- Als apparaten een aansluiting hebben voor voorzieningen voor het afzuigen en verzamelen van stof, zorg er dan voor dat deze op de juiste wijze aangesloten en gebruikt worden. Toepassing van stofafzuiging kan stofgerelateerde gevaren oplossen.
- Zorg dat u door bekendheid verkregen uit frequent gebruik van gereedschappen niet zelfgenoegzaam wordt en principes inzake gereedschapsveiligheid negeert. Een onzorgvuldige actie kan in een fractie van een seconde ernstig letsel veroorzaken.

2.6 Gebruik en onderhoud van elektrisch gereedschap

- Forceer het elektrische gereedschap niet. Gebruik het juiste elektrische gereedschap voor uw toepassing. Met het juiste elektrische gereedschap kunt u het karwei beter en veiliger uitvoeren in het tempo waarvoor het was ontworpen.
- Gebruik het elektrische gereedschap niet als de schakelaar het niet aan- en uitzet. Een elektrisch gereedschap dat niet kan worden bediend met de schakelaar is gevaarlijk en moet gerepareerd worden.
- Neem de stekker uit de stroombron en/of maak het accupakket los van de energiebron alvorens afstellingen te doen, accessoires te wijzigen of elektrische gereedschappen op te slaan. Dergelijke preventieve veiligheidsmaatregelen verkleinen het risico dat het elektrische gereedschap per ongeluk wordt gestart.
- Sla inactieve elektrische gereedschappen op buiten het bereik van kinderen en laat mensen die niet bekend zijn met het elektrische gereedschap of met deze instructies het elektrische gereedschap niet gebruiken. Elektrische gereedschappen zijn gevaarlijk in de handen van ongetrainde gebruikers.
- Onderhoud elektrische gereedschappen en accessoires. Controleer op onjuiste uitlijning of vastlopen van bewegende delen, breuken in delen en enige andere toestand die van invloed kan zijn op de werking van het elektrische gereedschap. Laat een beschadigd elektrisch gereedschap vóór gebruik repareren. Ongelukken worden vaak veroorzaakt door slecht onderhouden elektrisch gereedschap.

- Gebruik het elektrische gereedschap, accessoires, gereedschapsbitjes enz. volgens deze instructies, rekening houdend met de werkomstandigheden en het uit te voeren werk. Gebruik van het elektrische gereedschap voor werkzaamheden die afwijken van waarvoor het bedoeld is, zou tot een gevaarlijke situatie kunnen leiden.
- Houd handgrepen en grijpvlakken droog, schoon en vrij van olie en vet. Gladde handen en grijpvlakken staan het veilig hanteren en bedienen van het gereedschap in onverwachte situaties in de weg.

2.7 Gebruik en onderhoud van de accu

- Laad alleen op met de lader die door de fabrikant wordt gespecificeerd. Een lader die geschikt is voor het ene type accupakket kan een risico op brand creëren bij gebruik met een ander accupakket.
- Gebruik elektrisch gereedschap uitsluitend met specifiek daarvoor bestemde accupakketten. Gebruik van andere accupakketten kan leiden tot brandgevaar en de kans op letsel.

2.8 Blootstelling aan geluid en trillingen tot een minimum beperken

- Plan het werk zo dat de blootstelling aan zware trillingen over een langere periode wordt gespreid.
- Om geluid en trillingen tijdens gebruik te verminderen, beperkt u de tijd dat het gereedschap in gebruik is en gebruikt u de modus voor laag vermogen/trillingen en geschikte veiligheidsuitrusting.
- Neem de volgende voorzorgsmaatregelen om het risico van blootstelling aan trillingen en/of lawaai tot een minimum te beperken:
 - Controleer of het gereedschap in goede staat is.
 - Gebruik alleen accessoires die in goede staat verkeren en geschikt zijn voor de klus.
 - Houd de handvatten/grepen stevig vast.

2.9 Veiligheidswaarschuwing voor tackler

- Wees voorzichtig wanneer u het product verplaatst. Ga er altijd vanuit dat het product geladen is met bevestigingen. Verkeerd gebruik van het product kan leiden tot onbedoeld afvuren en letsel.
- Richt het product niet op uzelf, andere personen of dieren. Het per ongeluk afvuren van bevestigingen kan ernstig letsel veroorzaken.
- Houd uw vingers en lichaamsdelen uit de buurt van de uitlaatpoort van het product.

- Beveilig het werkstuk indien nodig met een spansysteem om letsel te voorkomen.
- Gebruik het product alleen als het strak tegen het werkstuk wordt gedrukt. Een onjuiste bediening van het product kan leiden tot ongecontroleerd uitwerpen van bevestigingen en verwondingen veroorzaken.
- Om onbedoeld gebruik en letsel te voorkomen moet u het product stoppen en de batterij verwijderen voordat u het magazijn met bevestigingen laadt.
- Wees voorzichtig bij het losmaken van geblokkeerde bevestigingen. Het magazijn kan onder spanning komen te staan en de sluiting kan er plotseling met kracht uit schieten wanneer u hem probeert los te maken.
- Gebruik het product niet om elektrische kabels te bevestigen. Tackers zijn niet geschikt voor elektrische installatie omdat ze de kabelisolatie kunnen beschadigen en elektrische schokken of brand kunnen veroorzaken.

2.10 Aanvullende veiligheidsvoorschriften

- Losse werkstukken moeten altijd worden beveiligd.
- Wacht altijd tot het product volledig tot stilstand is gekomen voordat u het neerlegt. Het product kan blijven haken, waardoor u de controle verliest.

2.11 Veiligheidsvoorschriften voor gebruik

- Lees en volg de waarschuwingsinstructies voor gebruik.
- Gebruik het product niet als u moe, ziek of onder invloed bent. Dat vermindert uw gezichtsvermogen, alertheid en coördinatie- en beoordelingsvermogen.
- Laat het product niet gebruiken door kinderen of personen die het product niet kennen.
- Gebruik het product niet als het beschadigd is.
- Breng geen wijzigingen aan in het product.
- Gebruik het product alleen voor de beoogde functie.

2.11.1 Restrisico's

Er zullen altijd restrisico's zijn, zelfs als u het product volgens de instructies bedient.

De volgende gevaren kunnen zich voordoen in verband met het type en het ontwerp van dit elektrische gereedschap:

- Gehoorbeschadiging als er geen gehoorbescherming wordt gedragen.
- Gezondheidsschade als gevolg van het effect van trillingen op de handen en armen wanneer het product gedurende een lange periode wordt gebruikt of wanneer het niet correct wordt gebruikt en onderhouden.
- Gevaar door elektromagnetisch veld dat wordt gegenereerd terwijl de machine in werking is. Onder bepaalde omstandigheden kan dit veld een negatieve invloed hebben op actieve of passieve medische implantaten.

- Om het gevaar van ernstig of dodelijk letsel te verminderen wordt aanbevolen dat personen die medische implantaten dragen, hun arts en de fabrikant van het implantaat raadplegen voordat ze de machine gebruiken.

3 Gebruik

3.1 Te doen vóór de operatie

⚠ Waarschuwing. Controleer voor elk gebruik de geselecteerde modus om het risico op letsel te voorkomen.

3.2 Een accu bevestigen en verwijderen

⚠ Voorzichtig! Zorg ervoor dat de accu correct is aangesloten. Als de accu losraakt, kan dit persoonlijk letsel veroorzaken.

⚠ Voorzichtig! Forceer de accu niet op zijn plaats. Als hij niet gemakkelijk te bevestigen is, is hij niet correct uitgelijnd.

3.2.1 Een accu bevestigen

Afbeelding 2

- 1 Breng de accu op één lijn met de sleuven in de behuizing.
- 2 Druk op de accu totdat u een klik hoort.

3.2.2 Een accu verwijderen

- 1 Druk op de knop aan de voorkant van de accu.
- 2 Trek de accu uit de accupoort.

3.3 De riemclip aanpassen

De riemclip kan aan de linker- of rechterkant van het product worden bevestigd.

Afbeelding 3

- 1 Draai de schroef met een schroevendraaier los.
- 2 Zet de riemclip in de daarvoor bestemde positie.
- 3 Bevestig de riemclip en draai de schroef vast.

3.4 Bevestigingen laden

⚠ Waarschuwing! Zorg ervoor dat de accu niet is aangesloten.

⚠ Waarschuwing. Richt het product niet op uzelf of andere personen wanneer u het product laadt: dit kan verwondingen veroorzaken.

⚠ Waarschuwing! Zorg ervoor dat de trekker of het vergrendelingsmechanisme niet wordt geactiveerd wanneer u het product laadt, want dan bestaat het risico op letsel.

⚠ Voorzichtig! Gebruik alleen bevestigingen die worden aanbevolen door de fabrikant. Het gebruik van andere bevestigingen kan letsel of materiële schade veroorzaken. Zie '9 Technische gegevens' op pagina 60.

- 1 Druk op de vergrendelknop. (Afbeelding 4)
 - 2 Trek de magazijnklep terug. (Afbeelding 5)
 - 3 Plaats de bevestigingen in het magazijn.
 - 4 Duw de magazijnklep naar voren tot hij vastklikt. Zorg ervoor dat deze correct is vergrendeld.
- Wanneer u het magazijn met krambevestigingen laadt, moet de punt van de kram naar beneden wijzen en tegen de onderste rand van het magazijn worden geplaatst.
 - Plaats de bovenkant van de krammen tegen de bovenrand van het magazijn wanneer u het magazijn met krammen laadt.

3.5 Bevestigingen verwijderen

⚠ Waarschuwing! Zorg ervoor dat de accu niet is aangesloten.

⚠ Waarschuwing! Verwijder de bevestigingen uit het magazijn voordat het product wordt opgeborgen.

- 1 Druk op de vergrendelknop. (Afbeelding 4)
- 2 Trek de magazijnklep terug.
- 3 Verwijder de bevestigingen uit het magazijn.
- 4 Duw de magazijnklep naar voren tot hij vastklikt. Zorg ervoor dat deze correct is vergrendeld.

3.6 Geblokkeerde bevestigingen verwijderen

⚠ Waarschuwing! Zorg ervoor dat de accu niet is aangesloten.

⚠ Voorzichtig! Het product start niet als het afvuurmechanisme geblokkeerd is.

- 1 Druk op de vergrendelknop. (Afbeelding 4)
- 2 Trek de magazijnklep terug.
- 3 Verwijder de geblokkeerde bevestiging. Gebruik indien nodig een kram of ander voorwerp om de bevestiging te verwijderen.

3.7 De werkdiepte aanpassen

Let op! Bij harde materialen en lange krammen is meer kracht nodig om de tacker te bedienen.

Afbeelding 6

- Draai de stelknop naar links om de werkdiepte te vergroten.
- Draai de stelknop naar rechts om de werkdiepte te verlagen.

Let op! Doe een test op een werkstuk om de juiste diepte te vinden.

3.8 Een controle van de veiligheidspunt uitvoeren

⚠ Waarschuwing! Controleer de vóór elk gebruik de veiligheidspunt. Gebruik het product niet als de veiligheidspunt beschadigd is.

- De veiligheidspunt moet vrij kunnen bewegen. Zorg ervoor dat hij teruggaat naar de volledig uitgeschoven positie nadat hij is ingeduwd.

3.8.1 Het veiligheidskussen vervangen

⚠ Waarschuwing! Zorg ervoor dat de batterij niet is aangesloten voordat u het veiligheidskussen verwijdert of terugplaatst.

- Het veiligheidskussen voorkomt markeringen en beschadigingen op het werkstuk.
- 1 Trek het veiligheidskussen van de veiligheidspunt en bevestig het nieuwe veiligheidskussen.

3.9 De afvuurmodus aanpassen

⚠ Waarschuwing. Gebruik het product alleen als de uitgang voor de bevestigingen strak tegen het werkstuk is geplaatst.

Afbeelding 7

3.9.1 Enkele bedrijfsmodus

Deze modus is geschikt voor enkelvoudige en nauwkeurige plaatsing van bevestigingen.

- Zet de moduskeuzeschakelaar in de linker positie. Als de enkele bedieningsmodus is geselecteerd, moet de knop telkens worden ingedrukt om een kram af te vuren.

Let op! De veiligheidspunt en de trekker moeten worden ingedrukt om het product te bedienen.

3.9.2 Contactbedrijfsmodus

Deze modus is geschikt voor snelle en repetitieve bewerkingen.

- Zet de moduskeuzeschakelaar in de juiste stand. In de contactmodus wordt elke keer dat de veiligheidspunt tegen het werkstuk wordt gedrukt terwijl de trekker wordt ingedrukt, een kram geschoten.

3.10 De statusindicator

De statusindicator knippert als de batterij bijna leeg is, het magazijn leeg is of als een sluiting geblokkeerd is.

3.11 Het product bij koude temperaturen gebruiken

Let op! De koude temperatuur kan een negatief effect hebben op de prestaties en de levensduur van de batterij.

- Houd het product zo warm mogelijk voor gebruik.
- Bedien het product vóór gebruik 5-6 keer op een werkstuk.

4 Vervoeren

- Laat het product volledig tot stilstand komen en verwijder de accu voordat u het product vervoert.

5 Opbergen

- Verwijder de batterij en bewaar het product op een schone en droge locatie waartoe kinderen en huisdieren geen toegang hebben als het gedurende lange tijd niet wordt gebruikt.

6 Onderhoud

⚠ Voorzichtig! Stop het product en verwijder de batterij voordat u onderhoud uitvoert.

6.1 Het product schoonmaken

⚠ Voorzichtig! Om schade aan het oppervlak van het product te voorkomen mogen geen agressieve schoonmaakmiddelen of schuurmiddelen worden gebruikt.

- Reinig het product indien nodig met een droge doek.
- Gebruik perslucht of een borstel om moeilijk bereikbare plekken schoon te maken.

6.1.1 Het magazijn voor bevestigingen reinigen

Problemen met de werking en de toevoer van de bevestigingen kunnen worden veroorzaakt door lijmresten van de krammenstrips. Reinig het gebied rond het aandrijfmechanisme om problemen te voorkomen.

- 1 Trek de afdekking van het magazijn terug en verwijder de bevestigingen.
- 2 Gebruik persluchtolie op een schone doek en verwijder alle lijmresten in het magazijn.

7 Afvoeren

- Volg de lokale voorschriften wanneer u het product afvoert. Verbrand het product niet.

8 Onderhoud

⚠ Waarschuwing. Reparaties aan het product mogen alleen worden uitgevoerd door bevoegd personeel.

- Het elektrische gereedschap mag alleen worden onderhouden door gekwalificeerd personeel met identieke reserveonderdelen. Hierdoor blijft het elektrisch gereedschap veilig in gebruik.

9 Technische gegevens

Specificatie	Waarde
Nominale spanning	18 V GELIJKSTROOM / 2 Ah
Afvoersfrequentie	60/ min
Magazijn	100 st
Afvuringen per lading	700
Oplaadduur	45 min
Gewicht	2,8 kg
Type bevestigingen	Krammen 18 GA Krammen 18 GA 1/4"
Langte van bevestigingen	Krammen 5/8" -2" Krammen 16-40 mm
Geluidsgegevens	
Geluidsdrukniveau, L _{pa}	83 dB(A), K=3 dB
Niveau geluidsvermogen, L _{WA}	94 dB(A), K = 3 dB
Trillingsniveau ¹	2,2m/s ² , K=1,5m/s ²

⚠ Waarschuwing. Draag altijd gehoorbeschermers!

⚠ Waarschuwing! De werkelijke trillings- en geluidsgegevens bij het gebruik van gereedschap kunnen verschillen van de opgegeven maximumwaarden, afhankelijk van hoe het gereedschap wordt gebruikt en van het materiaal waarmee het gebruikt wordt. Daarom is het noodzakelijk om vast te stellen welke veiligheidsmaatregelen vereist zijn om de gebruiker te beschermen, gebaseerd op een schatting van de blootstelling in feitelijke werkomstandigheden (rekening houdend met alle fases van de werkcyclus, bijv. de tijd dat het gereedschap is uitgeschakeld en wanneer dit stationair loopt, in aanvulling op de opstarttijd).

¹ De opgegeven waarden voor trillingen en geluid, gemeten volgens een gestandaardiseerde testmethode, kunnen worden gebruikt om verschillende werktuigen met elkaar te vergelijken en om de blootstelling vooraf te beoordelen. De meetwaarden zijn vastgesteld in overeenstemming met EN 60745-2-16:2010.



EU DECLARATION OF CONFORMITY / EU FÖRSÄKRAN OM ÖVERENSSTÄMMELSE / EU SAMSVARSERKLÄRING / EU-OVERENSSTEMMELSESERKLÄRING / DEKLARACJA ZGODNOŚCI UE / EU KONFORMITÄTSEKLRÄRUNG / EU VAATIMUSTENMUKAISUUSVAKUUTUS / DÉCLARATION UE DE CONFORMITÉ / EU CONFORMITEITSVERKLARING

Item number / Artikelnummer / Artikkelnummer / Varenummer / Numer artykułu / Artikelnummer / Tuotenumero / Numéro de référence / Artikelnummer

018762



Jula AB, Box 363, SE-532 24 SKARA, SWEDEN

This declaration of conformity is issued under the sole responsibility of the manufacturer. / Denna försäkran om överensstämmelse utfärdas på tillverkarens eget ansvar. / Denne samsvarserklæring er utstedt under ansvaret til produsenten. / Denne overensstemmelseserklæring er utstedt under produsentens eneansvar. / Niniejsza deklaracja zgodności wydana zostaje na wyłączną odpowiedzialność producenta. / Diese Konformitätserklärung wird unter der alleinigen Verantwortung des Herstellers ausgestellt. / Tämä vaatimustenmukaisuusvakuutus on annettu valmistajan yksinomaisella vastuulla. / La présente déclaration de conformité est émise sous la seule responsabilité du fabriquant. / Deze conformiteitsverklaring wordt afgegeven onder de uitsluitende verantwoordelijkheid van de fabrikant. /

Nail gun / Spikpistol / Spikerpistol / Søm- / hæftepistol / Gwoździarka / Nagelpistole / Naulain / Cloueuse / Spijkerpistool
18VDC

Conforms to the following directives, regulations and standards: / Överensstämmer med följande direktiv, förordningar och standarder: / Er i samsvar med følgende direktiver, forordning og standarder: / Overholder følgende direktiver, forordninger og standarder: / Są zgodne z następującymi dyrektywami, regulacją i normami: / Entspricht den folgenden Richtlinien, Vorschriften und Normen: / Seuraavien direktiivien, asetusten ja standardien mukainen: / Conforme aux directives, règlements et normes suivants: / Voldoet aan de volgende richtlijnen, voorschriften en normen:

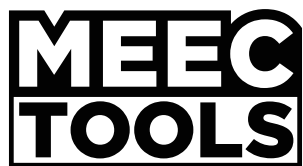
<u>Directive/Regulation</u>	<u>Harmonised standard</u>
MD 2006/42/EC	EN 60745-1:2009+A11, EN 60745-2-16:2010
EMC 2014/30/EU	EN 55014-1:2017, EN 55014-2:2015
RoHS 2011/65/EU + 2015/863	EN 50581:2012

This product was CE marked in year: / Produkten CE-märktes år: / Dette produktet ble CE-merket dette året: / Produktet blev CE-mærket i år: / Wyrób oznakowany znakiem CE w roku: / Dieses Produkt erhielt die CE-Kennzeichnung im Jahr: / Tämä tuote on CE-merkitty vuonna: / Ce produit a reçu le marquage CE en: / Dit product werd CE-gemarkeerd in het jaar: -22

Skara 2021-08-20

Mattias Lif

BUSINESS AREA MANAGER (Signatory for Jula and authorised to compile the technical documentation. / Undertecknat för Jula samt behörig att sammanställa den tekniska dokumentationen. / Signert for Jula og kvalifisert til å sammenfatte den tekniske dokumentasjonen. / Underskrevet på vegne af Jula og bemyndiget til udarbejdelse af den tekniske dokumentation. / Podpisano w imieniu Jula oraz osoby upoważnionej do sporządzenia dokumentacji technicznej. / Unterzeichnet im Namen von Jula und befugt, die technische Dokumentation zusammenzustellen. / Allekirjoittanut Julian puolesta ja valtuutettu kokoamaan tekniset asiakirjat. / Signé au nom de Jula et habilité à établir la documentation technique. / Ondertekend namens Jula en gemachtigde voor de samenstelling van de technische documentatie



www.jula.com