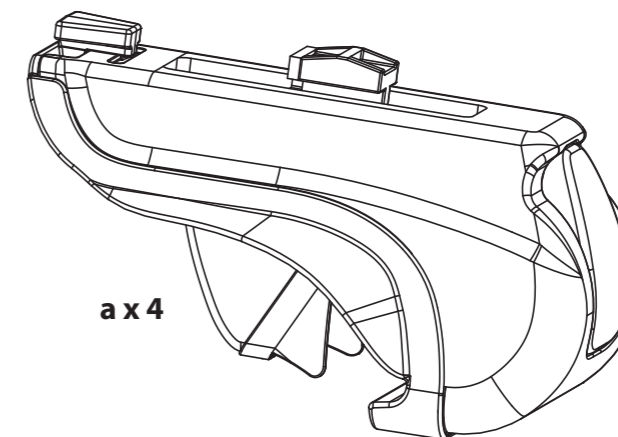


EN Appropriate for the listed vehicles - **FR** Les barres de toit ne doivent pas être utilisées sur des véhicules autres que spécifiés - **ES** Válido para la lista adjunta de vehículos - **DE** Passend für die gelisteten - **IT** Appropriare per veicolo - **NL** Geschikt voor voertuig - **PT** Apropriado aos seguintes veículos - **PL** Pasuje do samochodów - **HU** Megfelelő gépjármű - **NO** Produktet er kun beregnet for angitte kjøretøy - **RO** Convenabil pentru vehicul - **ET** Sobib loetletud sõidukitele - **LT** Tinka nurodytiems transporto priemonėms - **SE** Produkten är endast avsedd för angivna fordon - **BG** Релсите за багажник на покрива не трябва да се използват при автомобили, различни от посочените - **LV** Piemērots norādītajiem transportlīdzekļiem - **FI** Tuote on tarkoitettu vain ilmoitetuille ajoneuvoille - **GR** Για το οχήμα - **DK** Egnnet til køretøjer

| Model | Year | Weight (KG) | Material |
|----------|-----------------|-------------|----------|
| V70 (3) | 5 ☐ 00 -> 07/07 | 100 | 49+ |
| V70 (3) | 5 ☐ 08/07 -> | 100 | 49+ |
| XC70 (3) | 5 ☐ 03 -> 07/07 | 100 | 49+ |
| XC70 (3) | 5 ☐ 08/07 -> | 100 | 49+ |
| XC90 (3) | 5 ☐ 03 -> 05/15 | 100 | 49+ |

Mont Blanc®

MB RoofBars AMC KIT FIX RAIL FOOT 5400



a x 4



b x 4

AUTOMAXI INTERNATIONAL
35417 SAINT-MALO CEDEX
France
Type : BARRE DE TOIT / ROOF RACK
Modèle : AMC FIX RAIL FOOT N°5400
Max Load : 70 KG

c x 1



Pour en savoir plus :
www.quefairedemesdechets.fr

Max

| | | | |
|--------------|--------|----|--|
| AUDI | | | |
| A3 Sportback | 04-- | 75 | |
| A6 Avant | 0305-- | 75 | |
| A7 | 05-- | 75 | |

P6-7-8

4,6 kg



EN Keep these instructions for future use.
FR Garder cette notice pour les utilisations futures.
ES Guardar este manual para futuras utilizaciones.
DE Die Anleitung zur späteren Benutzung aufbewahren.
IT Conservare queste istruzioni per ogni ulteriore consultazione.
NL Bewaar deze gebruiksaanwijzing voor toekomstige raadpleging.
PT Guardar este manual para as utilizações futuras.
PL Zachować instrukcję w przypadku użytkowania w przyszłości.
HU Őrizze meg ezt a használati utasítást későbbi felhasználás céljából.
NO Behold denne informasjonen for fremtidig bruk.
RO Păstrați instrucțiunile pentru consultarea lor ulterioară.
ET Hoidke neid juhiseid edaspidiseks kasutamiseks.
LT Laikykite šias instrukcijas būsiam naudojimui.
SE Behåll denna information för framtida bruk.
BG Запазете настоящата бележка за бъдещи справки.
LV Saglabājiet šīs instrukcijas turpmākai lietošanai.
FI Säilytä tämä tieto tulevaa käyttöä varten.
GR Φυλάξτε αυτό το εγχειρίδιο οδηγιών για μελλοντικές χρήσεις.
DK Gem denne vejledning til senere brug.



Mont Blanc France
24-30 Rue Claude Bernard - C.S. 61768
35417 Saint Malo Cédex - France
Office : +33 (0)2 99 21 12 70
Fax : +33 (0)2 99 21 12 71

www.montblancgroup.com

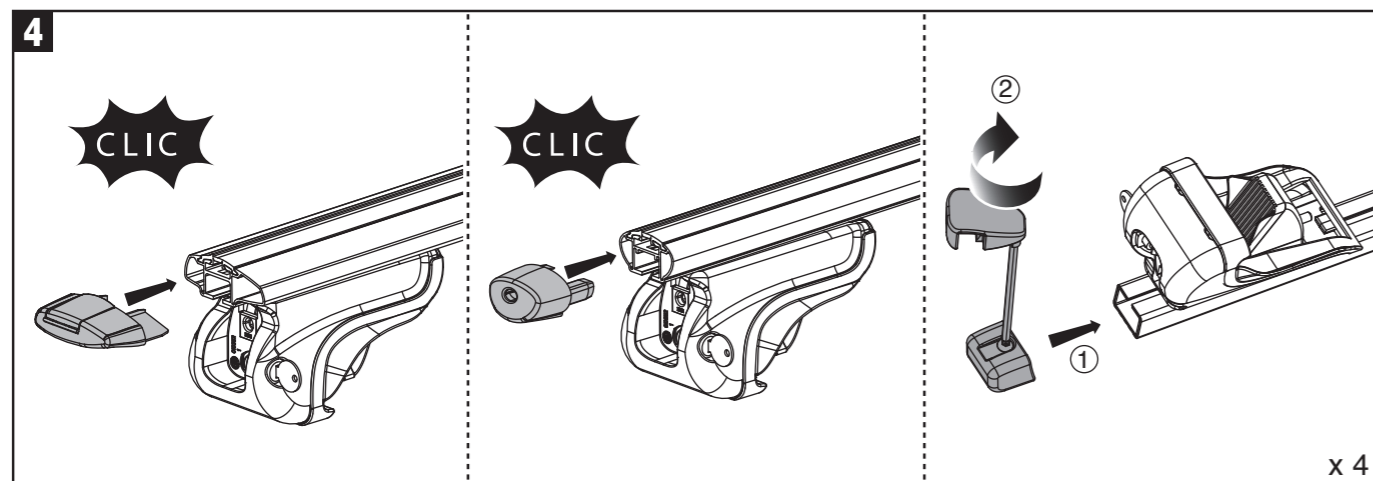
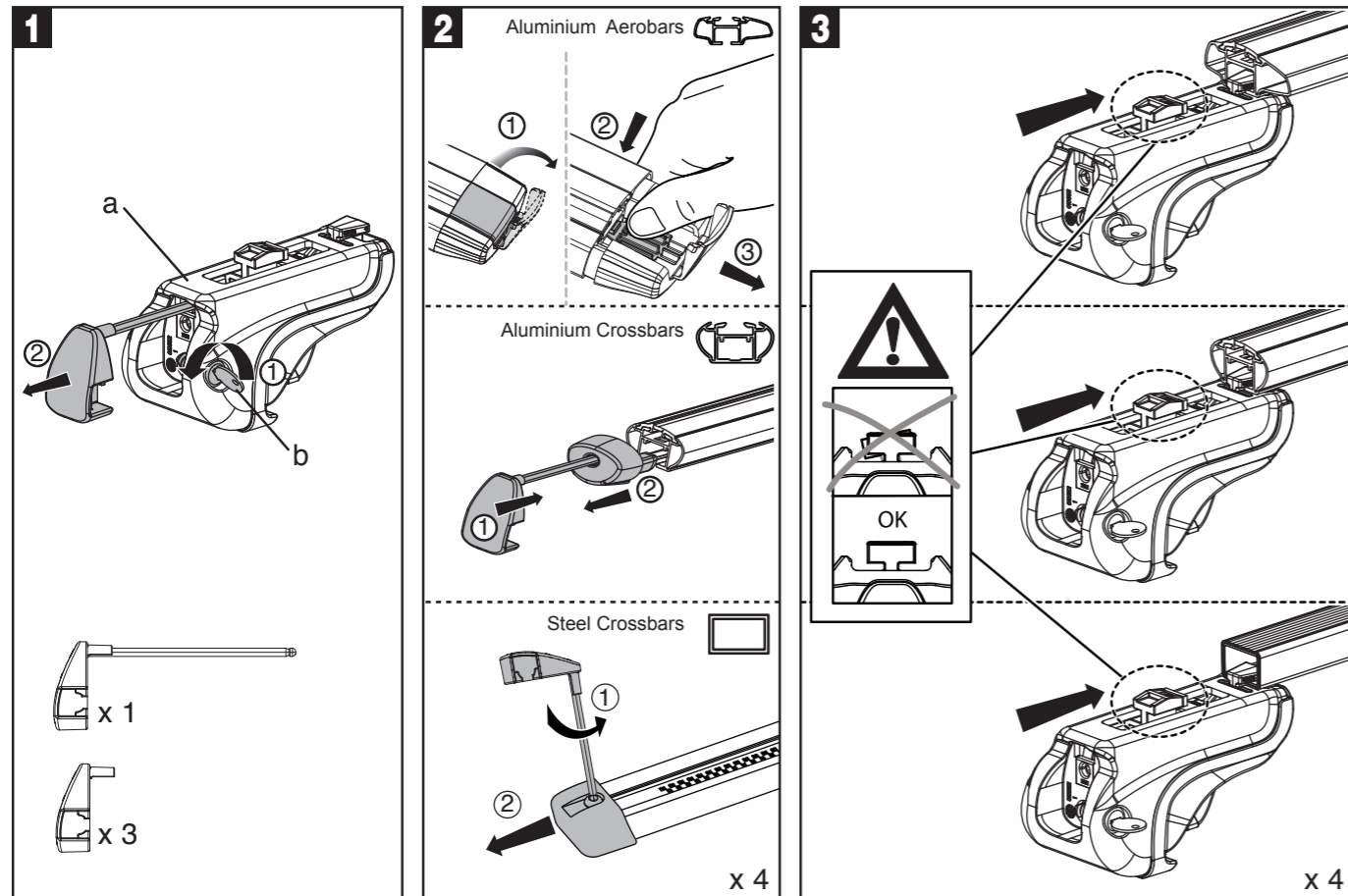
☐ = Doors / Portes / Puertas / Türen / Porte / Deurs / Portas / Drzwi / Ajtók / Dører / Uşi / Uksed / Durys / Dörrar / врати / Durvis / Ovet / πόρτες / Døre

(3) = Vehicle with original longitudinal bars / Véhicule avec barres longitudinales d'origine / Vehículo con barras longitudinales de origen / Fahrzeuge mit original-dachreling / Veicoli con barre longitudinali originali / Voertuig met originele longitudinale stangen / Veículo com barras longitudinais de origem / Samochód z oryginalnymi relingami / Gyárilag hosszirányú rudakkal szerelt gépjármű / Kjøretøy med originale langsgående stenger / Vehicul cu bare longitudinale originale / Sõiduk originaalsete pikisuunaliste lattidega / Transporto priemonė su originaliomis išilginėmis juostomis / Fordon med originala längsgående stänger / Автомобил с оригинални надлъжни релси / Transportlīdzeklis ar oriģinālajām gareniskajām stienēm / Ajoneuvo alkuperäisillä pitkittäispalkkeilla / Οχήμα με διαμήκεις μπάρες από ερωστασιακή κατασκευή / Køretøj med originale langsgående stænger

8 (13) Except glass roof / Sauf toit en verre / Excepto techo en vidrio / Außer Glasdach / Tranne tetto di vetro / Behalve glazen dak / Excepto tejadillo de vidrio / Z wyłączeniem szklanego dachu / Kivéve az üvegtetőket / Ikke glasatak / Cu excepția acoperișurilor din sticlă / Välja arvatud klaaskatus / Išskyrus stiklinį stogą / Ej glastak / За исключением стеклянной крыши / Izņemot stikla jumtu / Ei lasikattoa / Εκτός από γυάλινη οροφή / Med undtagelse af glastag

Réf. Imp. : 058234/A25-2

EN Assembly - **FR** Assemblage - **ES** Fijaciones - **DE** Verbindungen - **IT** Assemblaggio - **NL** Montagens
PT Assemblages - **PL** Montaż - **HU** Összeszerelés - **NO** Montering - **RO** Ansamblu - **ET** Kokkupanek -
LT Surinkimas - **SE** Montering - **BG** Сглобяване - **LV** Montāža - **FI** Asennus - **GR** Montāža - **DK** Montage



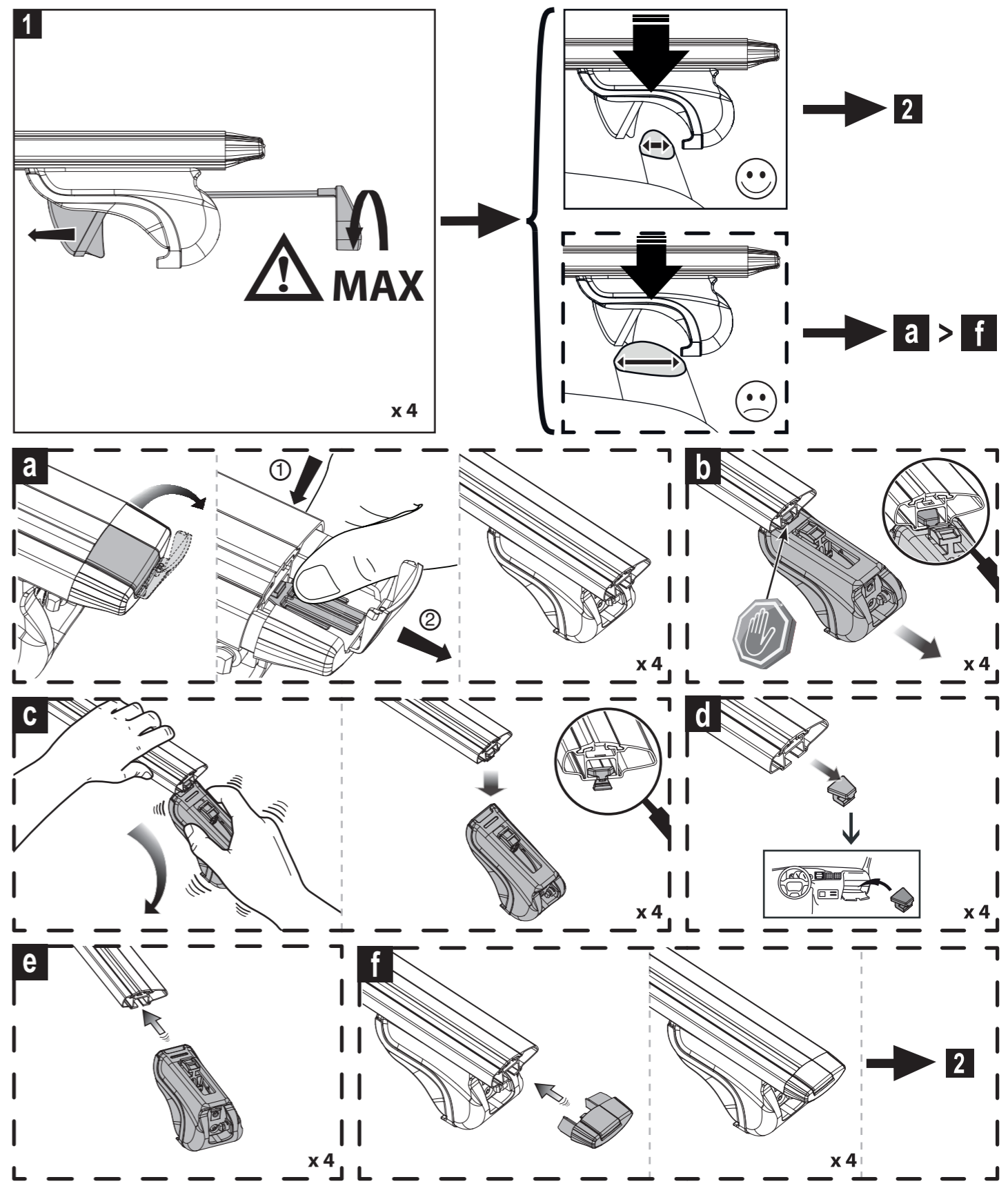
EN Appropriate for the listed vehicles - **FR** Les barres de toit ne doivent pas être utilisées sur des véhicules autres que spécifiques - **ES** Válido para la lista adjunta de vehículos - **DE** Passend für die gelisteten - **IT** Appropriare per veicolo
NL Geschikt voor voertuig - **PT** Apropriado aos seguintes veículos - **PL** Pasuje do samochodów
HU Megfelelő gépjármű - **NO** Produktet er kun beregnet for angitte kjøretøy - **RO** Convenabil pentru vehicul - **ET**
Sobib loetletud sõidukitele **LT** Tinka nurodytiems transporto priemonėms - **SE** Produkten är endast avsedd för angivna fordon - **BG** Релсите за багажник на покрива не трябва да се използват при автомобили, различни от посочените
- **LV** Piemērots norādītajiem transportlīdzekļiem - **FI** Tuote on tarkoitettu vain ilmoitetuille ajoneuvoille - **GR** Για το οχήμα - **DK** Egnnet til køretøjer

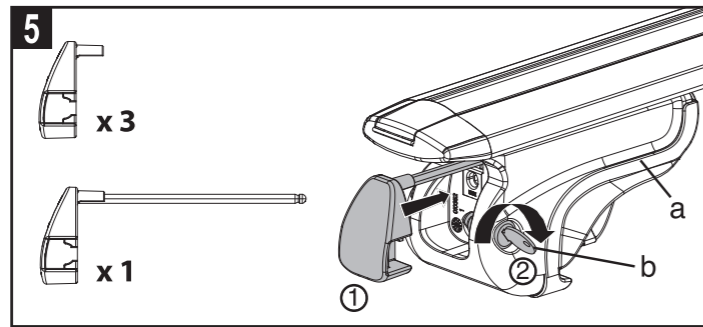
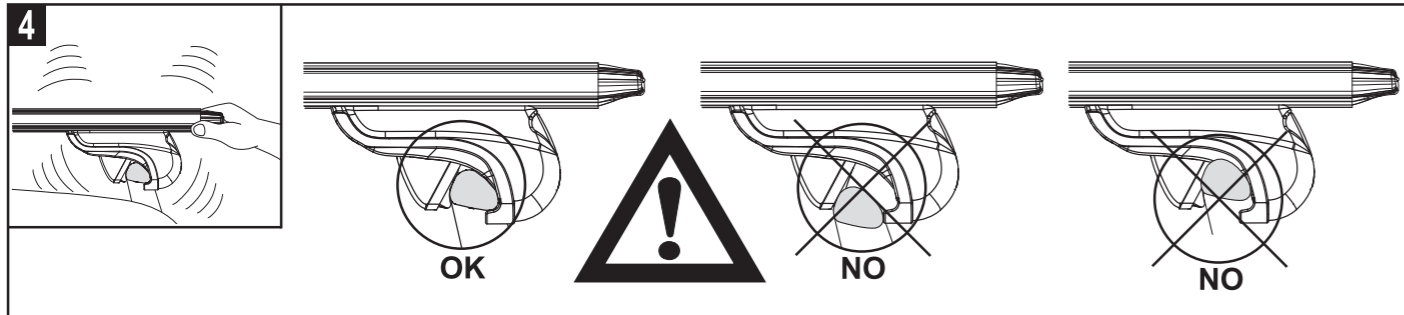
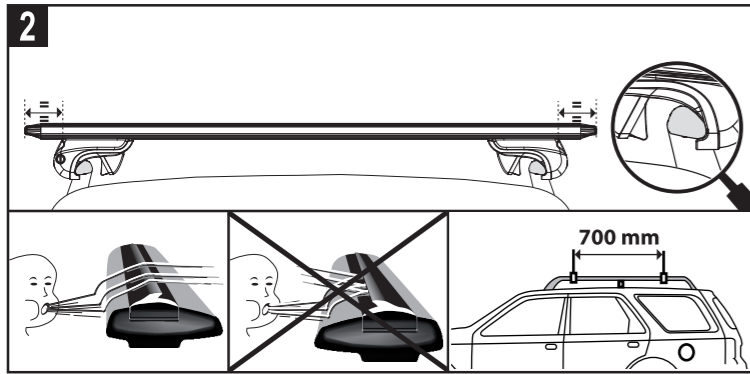
| Vehicle | Year | Weight (KG) | Aluminium | Steel |
|-------------------------------|--------------------|-------------|-----------|-------|
| PARTNER TEEPE (3)(13) | 5 □ 05/08 -> 08/18 | 80 | 52+ | |
| PARTNER TEEPE FAMILY (3) | 5 □ 05/08 -> 08/18 | 80 | 49+ | |
| PARTNER TEEPE ZENITH (3) | 5 □ 05/08 -> 08/18 | 80 | 49+ | |
| RIFTER (LONG) (3) | 5 □ 09/18 -> | 75 | 52+ | |
| RIFTER (SANDARD) (3) | 5 □ 09/18 -> | 75 | 52+ | |
| PONTIAC | | | | |
| VIBE (3) | 5 □ 01 -> | 75 | 49+ | |
| RENAULT | | | | |
| ALASKAN (3) | 4 □ 17 -> | 75 | 49+ | |
| CLIO III ESTATE (3) | 5 □ 08 -> | 80 | 49+ | |
| CLIO IV ESTATE (3) | 5 □ 03/13 -> | 75 | 49+ | |
| GRAND SCENIC (3) | 5 □ 04/09 -> 10/16 | 75 | 49+ | |
| KANGOO (3) | 4 □ 97 -> 07 | 80 | 43+ | |
| KANGOO 4x4 (3) | 4 □ 01 -> 07 | 80 | 43+ | |
| KOLEOS (3) | 5 □ 06/08 -> 05/17 | 80 | 49+ | |
| LAGUNA II Estate / Break (3) | 5 □ 01 -> | 80 | 43+ | |
| LAGUNA III Estate / Break (3) | 5 □ 08 -> | 80 | 49+ | |
| LAGUNA Nevada / Break (3) | 5 □ 95 -> 00 | 80 | 49+ | |
| MEGANE II Estate / Break (3) | 5 □ 10/03 -> | 80 | 49+ | |
| MEGANE III Estate / Break (3) | 5 □ 06/09 -> 08/16 | 80 | 49+ | |
| SCENIC CONQUEST (3) | 5 □ 06/07 -> | 75 | 49+ | |
| SCENIC X (3) | 5 □ 06/09 -> 08/16 | 75 | 49+ | |
| SCENIX XMOD (3) | 5 □ 13 -> | 75 | 49+ | |
| ROVER | | | | |
| 75 Tourer / Break (3) | 5 □ 01 -> | 100 | 43+ | |
| MONTEGO Break (3) | 5 □ 84 -> 94 | 75 | 43+ | |
| STREETWISE (3) | 5 □ 04 -> | 60 | 43+ | |
| STREETWISE (3) | 3 □ 04 -> | 60 | 43+ | |
| SAAB | | | | |
| 9-3 Estate / Sport Hatch (3) | 5 □ 03/05 -> | 75 | 49+ | |
| 9-3X (3) | 5 □ 09 -> | 75 | 49+ | |
| 9-5 Estate (3) | 5 □ 99 -> | 100 | 49+ | |
| SEAT | | | | |
| ALHAMBRA (3) | 5 □ 96 -> 08/10 | 75 | 49+ | |
| ALHAMBRA II (3) | 5 □ 09/10 -> 20 | 75 | 52+ | |
| ARONA (3) | 5 □ 17 -> | 75 | 46+ | |
| ATECA (3) | 5 □ 16 -> | 75 | 49+ | |
| EXEO ST (3) | 5 □ 09 -> | 75 | 49+ | |
| TARRACO (3) | 5 □ 19 -> | 75 | 49+ | |
| SKODA | | | | |
| FABIA Combi/Break (MKI) (3) | 5 □ 00 -> 07 | 75 | 43+ | |
| FABIA Combi/Break (MKII) (3) | 5 □ 08 -> 14 | 75 | 49+ | |
| FABIA Combi/Break (MKIII) (3) | 5 □ 01/15 -> | 75 | 49+ | |
| FELICIA Break (3) | 5 □ 95 -> | 75 | 43+ | |
| FORMAN / FAVORIT Break (3) | 5 □ 90 -> 95 | 75 | 43+ | |
| KAMIQ (3) | 5 □ 19 -> | 75 | 46+ | |
| KAROQ (3) | 5 □ 17 -> | 75 | 49+ | |
| OCTAVIA Combi / Break (3) | 5 □ 98 -> 09/04 | 100 | 43+ | |
| OCTAVIA II Combi / Break (3) | 5 □ 10/04 -> 07/13 | 75 | 49+ | |
| OCTAVIA III Combi / Break (3) | 5 □ 08/13 -> 06/20 | 75 | 49+ | |
| OCTAVIA SCOUT (3) | 5 □ 04/07 -> | 75 | 49+ | |
| ROOMSTER (3) | 5 □ 06 -> | 75 | 43+ | |
| ROOMSTER SCOUT (3) | 5 □ 07/07 -> | 75 | 43+ | |
| SUPERB COMBI II (3) | 5 □ 10 -> 08/15 | 100 | 49+ | |
| SUPERB COMBI III (3) | 5 □ 09/15 -> | 75 | 49+ | |
| YETI (3) | 5 □ 09 -> | 75 | 49+ | |
| SSANGYONG | | | | |
| KORANDO (3) | 5 □ 11 -> | 75 | 49+ | |
| KYRON (3) | 5 □ 06 -> | 45 | 49+ | |
| MUSSO (3) | 5 □ 93 -> | 55 | 49+ | |
| REXTON (3) | 5 □ 02 -> | 100 | 49+ | |
| RHODIUS (3) | 5 □ 04 -> | 70 | 49+ | |
| SUBARU | | | | |
| FORESTER (3) | 5 □ 13 -> 18 | 75 | 49+ | |
| IMPREZA Station Wagon (3) | 5 □ 93 -> 00 | 75 | 43+ | |
| IMPREZA Station Wagon (3) | 5 □ 01 -> | 80 | 43+ | |
| IMPREZA TS / RS (3) | 4 □ 93 -> 00 | 75 | 43+ | |
| LEGACY Outback /LANCASTER (3) | 5 □ 97 -> 08/03 | 100 | 43+ | |
| XV (3) | 5 □ 18 -> | 75 | 49+ | |
| SUZUKI | | | | |
| BALENO / ESTEEM / CULTUS (3) | 5 □ 96 -> | 75 | 43+ | |
| GRAND VITARA / ESCUDO (3) | 5 □ 98 -> 09/05 | 45 | 49+ | |
| GRAND VITARA / ESCUDO (3) | 3 □ 98 -> 09/05 | 45 | 49+ | |
| IGNIS (3) | 5 □ 16 -> | 75 | 43+ | |
| IGNIS (3) | 5 □ 03 -> 08 | 35 | 49+ | |
| JIMNY (3) | 3 □ 98 -> 09/18 | 75 | 49+ | |
| SX4 (3) | 5 □ 06 -> 08/13 | 60 | 49+ | |
| WAGON R / R Wide / R+ (3) | 5 □ 96 -> 99 | 50 | 49+ | |
| WAGON R+ (3) | 5 □ 00 -> | 50 | 49+ | |
| TOYOTA | | | | |
| 4 - RUNNER / SURF (3) | 5 □ 87 -> 95 | 75 | 43+ | |
| AVENSIS VERSO (3) | 5 □ 01 -> | 100 | 43+ | |
| AVENSIS Wagon / Break (3) | 5 □ 98 -> 04/03 | 100 | 43+ | |
| AVENSIS Wagon / Break (3) | 5 □ 05/03 -> 08 | 100 | 43+ | |
| CARINA E Break - Wagon (3) | 5 □ 92 -> 97 | 100 | 43+ | |
| CARINA II Break - Wagon (3) | 5 □ 88 -> 91 | 100 | 43+ | |
| COROLLA VERSO (3) | 5 □ 04 -> | 75 | 49+ | |
| COROLLA VERSO / SPACIO (3) | 5 □ 01 -> 03 | 75 | 49+ | |
| COROLLA Wagon / Break (3) | 5 □ 91 -> 96 | 100 | 43+ | |
| COROLLA Wagon / Break (3) | 5 □ 97 -> 00 | 100 | 43+ | |
| LAND CRUISER (3) | 5 □ 03 -> | 100 | 49+ | |
| LAND CRUISER (3) | 3 □ 03 -> | 100 | 49+ | |
| LAND CRUISER 150 (3) | 5 □ 12/09 -> | 75 | 49+ | |
| LAND CRUISER J9 - PRADO (3) | 5 □ 97 -> 02 | 100 | 49+ | |
| PICNIC / IPSUM (3) | 5 □ 96 -> | 100 | 49+ | |
| PREVIA / ESTIMA / ALPHARD (3) | 5 □ 00 -> | 100 | 43+ | |
| RAV-4 (3) | 5 □ 01 -> 01/06 | 100 | 49+ | |
| RAV-4 (3) | 5 □ 03/13 -> 18 | 75 | 49+ | |
| RAV-4 (3) | 3 □ 01 -> 01/06 | 100 | 49+ | |
| SPRINTER CARIB Break (3) | 5 □ 98 -> | 80 | 43+ | |
| YARIS Verso (3) | 5 □ 99 -> | 75 | 43+ | |
| VAUXHALL | | | | |
| COMBO LIFE (L1) (3) | 5 □ 09/18 -> | 75 | 52+ | |
| COMBO LIFE (L2) (3) | 5 □ 09/18 -> | 75 | 52+ | |
| VOLKSWAGEN | | | | |
| BORA Variant / Break (3) | 5 □ 99 -> | 75 | 43+ | |
| CADDY (3) | 5 □ 22 -> | 75 | 52+ | |
| CADDY (3) | 5 □ 11 -> | 75 | 49+ | |
| CADDY MAXI (3) | 5 □ 22 -> | 75 | 52+ | |
| CROSS GOLF (3) | 5 □ 03/07 -> | 75 | 43+ | |
| CROSS-UP (3) | 5 □ 13 -> | 75 | 46+ | |
| GOLF III Variant / Break (3) | 5 □ 94 -> 98 | 75 | 43+ | |
| GOLF IV Variant / Break (3) | 5 □ 99 -> | 75 | 43+ | |
| GOLF V SW / Variant (3) | 5 □ 05/07 -> | 75 | 49+ | |
| GOLF VI SW / Variant (3) | 5 □ 10/09 -> | 75 | 49+ | |
| GOLF VII SW / Variant (3) | 5 □ 08/13 -> | 75 | 46+ | |
| PASSAT SW (B6) (3) | 5 □ 10/05 -> 11/10 | 75 | 46+ | |
| PASSAT SW (B7) (3) | 5 □ 12/10 -> 10/14 | 75 | 46+ | |
| PASSAT Variant (B2) (3) | 5 □ 80 -> 88 | 75 | 43+ | |
| PASSAT Variant (B3/B4) (3) | 5 □ 89 -> 96 | 75 | 43+ | |
| PASSAT Variant (B5) (3) | 5 □ 97 -> 09/05 | 100 | 43+ | |
| POLO (3) | 3 □ 82 -> 94 | 75 | 43+ | |
| POLO Cross (3) | 5 □ 05/10 -> | 75 | 49+ | |
| POLO Cross (3) | 5 □ 06 -> 04/10 | 75 | 43+ | |
| POLO Fun (3) | 5 □ 04 -> | 75 | 43+ | |
| POLO Variant / Break (3) | 5 □ 98 -> | 50 | 43+ | |
| SHARAN (3) | 5 □ 95 -> 08/10 | 75 | 49+ | |
| SHARAN II (3) | 5 □ 09/10 -> 20 | 75 | 52+ | |
| T-ROC (3) | 5 □ 17 -> | 75 | 49+ | |
| TIGUAN (3) | 5 □ 11/07 -> 03/16 | 75 | 49+ | |
| TIGUAN ALLSPACE (3) | 5 □ 17 -> | 75 | 49+ | |
| TIGUAN II (3) | 5 □ 04/16 -> | 75 | 49+ | |
| TOUAREG (3) | 5 □ 02 -> 05/10 | 50 | 49+ | |
| TOURAN (3) | 5 □ 03 -> 08/10 | 100 | 49+ | |
| TOURAN II (3) | 5 □ 09/10 -> 08/15 | 100 | 49+ | |
| TOURAN III (3) | 5 □ 09/15 -> | 75 | 49+ | |
| VOLVO | | | | |
| 850 Break / Wag (3) | 5 □ 93 -> 96 | 75 | 49+ | |
| V40 (3) | 5 □ 96 -> 11 | 100 | 43+ | |
| V40 CC (3) | 5 □ 13 -> | 75 | 49+ | |
| V50 (3) | 5 □ 04 -> | 75 | 49+ | |
| V70 (3) | 5 □ 97 -> 99 | 75 | 49+ | |

EN Appropriate for the listed vehicles - **FR** Les barres de toit ne doivent pas être utilisées sur des véhicules autres que spécifiés - **ES** Válido para la lista adjunta de vehículos - **DE** Passend für die gelisteten - **IT** Appropriare per veicolo - **NL** Geschikt voor voertuig - **PT** Apropriado aos seguintes veículos - **PL** Pasuje do samochodów - **HU** Megfelelő gépjármű - **NO** Produktet er kun beregnet for angitte kjøretøy - **RO** Convenabil pentru vehicul - **ET** Sobib loetletud sõidukitele - **LT** Tinka nurodytiems transporto priemonėms - **SE** Produkten är endast avsedd för angivna fordon - **BG** Релсите за багажник на покрива не трябва да се използват при автомобили, различни от посочените - **LV** Piemērots norādītajiem transportlīdzekļiem - **FI** Tuote on tarkoitettu vain ilmoitetuille ajoneuvoille - **GR** Για το οχήμα - **DK** Egnnet til køretøjer

EN Fitting on vehicles - **FR** Montage sur véhicule - **ES** Colocación en vehículos - **DE** Montagen auf Fahrzeugen - **IT** Montaggio su veicoli - **NL** Montage op voertuigen - **PT** Montagens em veículos - **PL** Montowanie na pojazdach - **HU** Felszerelés gépjárműre - **NO** Montering på bilen - **RO** Montaj pe vehicul - **ET** Paigaldamine sõidukitele - **LT** Montavimas ant transporto priemonių - **SE** Montering på bilen - **BG** Монтиране върху автомобила - **LV** Uzstādišana uz transportlīdzekļiem - **FI** Asennus autoon - **GR** Τοποθέτηση στο όχημα - **DK** Montage på køretøjer

| Aluminum Steel | | Aluminum Steel | |
|-----------------------------|--------------------|----------------|------|
| KG | 2005 | KG | 2005 |
| JAGUAR | | | |
| X TYPE Estate (3) | 5 □ 04 -> | 75 | 43+ |
| JEOP | | | |
| CHEROKEE (3) | 5 □ 84 -> 00 | 75 | 49+ |
| CHEROKEE (3) | 3 □ 84 -> 00 | 75 | 49+ |
| CHEROKEE (KK) (3) | 5 □ 03/08 -> 13 | 100 | 52+ |
| CHEROKEE (KL) (3) | 5 □ 14 -> | 75 | 49+ |
| CHEROKEE Liberty (3) | 5 □ 01 -> | 80 | 49+ |
| GRAND CHEROKEE (3) | 5 □ 98 -> 03/04 | 60 | 49+ |
| GRAND CHEROKEE (3) | 5 □ 04/04 -> 11/10 | 75 | 49+ |
| PATRIOT (3) | 5 □ 04/07 -> | 65 | 49+ |
| RENEGADE (3) | 5 □ 14 -> | 75 | 52+ |
| KIA | | | |
| CARENS (3) | 5 □ 00 -> 08/06 | 75 | 43+ |
| CARNIVAL (3) | 5 □ 05/06 -> | 75 | 49+ |
| CARNIVAL / SEDONA (3) | 5 □ 01 -> 04/06 | 75 | 49+ |
| CEE D SPORTY WAGON (3) | 5 □ 07 -> 08/12 | 75 | 49+ |
| EV9 | 5 □ 23 -> | 75 | 52+ |
| RIO Wagon (3) | 5 □ 05 -> | 50 | 43+ |
| SORENTO (JC) (3) | 5 □ 03 -> 11/09 | 75 | 43+ |
| SORENTO (XM) (3) | 5 □ 12/09 -> 02/15 | 100 | 49+ |
| SOUL (3) | 5 □ 09 -> 03/14 | 75 | 49+ |
| SPORTAGE I (3) | 5 □ 93 -> 08/04 | 75 | 49+ |
| SPORTAGE I (3) | 3 □ 93 -> 08/04 | 75 | 49+ |
| SPORTAGE II (3) | 5 □ 09/04 -> 10/10 | 75 | 49+ |
| SPORTAGE II (3) | 3 □ 09/04 -> 10/10 | 75 | 49+ |
| STONIC (3) | 5 □ 17 -> | 75 | 49+ |
| LADA | | | |
| 111 / 2111 (3) | 5 □ 96 -> | 75 | 43+ |
| LAND ROVER | | | |
| DISCOVERY (3) | 5 □ 99 -> 03 | 75 | 49+ |
| FREELANDER (3) | 5 □ 98 -> 06 | 75 | 43+ |
| FREELANDER (3) | 3 □ 98 -> 06 | 75 | 43+ |
| LEXUS | | | |
| RX 400H (3) | 5 □ 05 -> | 75 | 49+ |
| LYNC&CO | | | |
| 01 | 5 □ 21 -> | 75 | 49+ |
| MAZDA | | | |
| 5 (3) | 5 □ 05 -> 01/11 | 75 | 49+ |
| 6 Fastwagon (3) | 5 □ 03/08 -> 12 | 75 | 49+ |
| 6 Fastwagon (3) | 5 □ 13 -> | 75 | 49+ |
| 6 Fastwagon (3) | 5 □ 02 -> 02/08 | 100 | 43+ |
| 626 Break (3) | 5 □ 98 -> | 75 | 43+ |
| 626 Break (3) | 5 □ 92 -> 97 | 75 | 43+ |
| 626 Break (3) | 5 □ 88 -> 91 | 75 | 43+ |
| DEMIO (3) | 5 □ 98 -> | 50 | 49+ |
| MPV (3) | 5 □ 00 -> 06 | 100 | 49+ |
| PREMACY (3) | 5 □ 99 -> | 75 | 49+ |
| MERCEDES-BENZ | | | |
| 200 / 500 Break (S124) (3) | 5 □ 85 -> 95 | 100 | 43+ |
| Classe C Break (S202) (3) | 5 □ 96 -> 00 | 100 | 43+ |
| Classe C Break (S203) (3) | 5 □ 01 -> 09/07 | 100 | 43+ |
| Classe C Break (S204) (3) | 5 □ 10/07 -> 08/14 | 100 | 49+ |
| Classe E Break (S124) (3) | 5 □ 85 -> 95 | 100 | 49+ |
| Classe E Break (S210) (3) | 5 □ 96 -> 02 | 100 | 49+ |
| Classe E Break (S211) (3) | 5 □ 03 -> 10/09 | 100 | 49+ |
| Classe E Break (S212) (3) | 5 □ 11/09 -> | 100 | 49+ |
| Classe M / ML (W163) (3) | 5 □ 97 -> 05/05 | 75 | 49+ |
| Classe M / ML (W164) (3) | 5 □ 06/05 -> 08/11 | 75 | 52+ |
| EQB (3) | | | |
| GL (3) | 5 □ 22 -> | 75 | 49+ |
| GLB (X247) (3) | 5 □ 06 -> | 100 | 49+ |
| GLK (3) | 5 □ 20 -> | 75 | 49+ |
| GLK (3) | 5 □ 08 -> | 100 | 49+ |
| VANEO (3) | 5 □ 01 -> | 75 | 49+ |
| MG | | | |
| GS (3) | 5 □ 16 -> | 50 | 49+ |
| MG5 | 5 □ 22 -> | 75 | 49+ |
| ZS (3) | 5 □ 17 -> | 75 | 49+ |
| MINI | | | |
| COUNTRYMAN II (F60) (3) | 5 □ 10/16 -> 23 | 75 | 49+ |
| MITSUBISHI | | | |
| GALANT Wagon (3) | 5 □ 97 -> | 80 | 43+ |
| GRANDIS (3) | 5 □ 03 -> | 75 | 49+ |
| LANCER Wagon (3) | 5 □ 93 -> 03 | 50 | 43+ |
| OUTLANDER (3) | 5 □ 02/07 -> 08/12 | 100 | 49+ |
| OUTLANDER / AIRTREK (3) | 5 □ 03 -> 01/07 | 75 | 49+ |
| PAJERO (3) | 5 □ 02/07 -> | 100 | 49+ |
| PAJERO (3) | 3 □ 02/07 -> | 100 | 49+ |
| PAJERO (3) | 5 □ 99 -> 01/07 | 80 | 49+ |
| PAJERO PININ (3) | 5 □ 00 -> | 80 | 49+ |
| PAJERO PININ (3) | 3 □ 99 -> | 80 | 49+ |
| PAJERO SPORT (3) | 5 □ 00 -> | 75 | 49+ |
| SPACE RUNNER (3) | 5 □ 91 -> 98 | 80 | 43+ |
| SPACE WAGON (3) | 5 □ 99 -> | 80 | 49+ |
| NISSAN | | | |
| MURANO (3) | 5 □ 03 -> | 60 | 49+ |
| NP 300 NAVARA (3) | 5 □ 16 -> | 75 | 49+ |
| PRIMERA Break (W10) (3) | 5 □ 91 -> 97 | 75 | 43+ |
| PRIMERA Break (W11) (3) | 5 □ 98 -> 02/02 | 100 | 43+ |
| QASHQAI (3) | 5 □ 06/07 -> 01/14 | 75 | 49+ |
| QASHQAI +2 (3) | 5 □ 10/08 -> | 75 | 49+ |
| SUNNY Break (3) | 5 □ 91 -> 99 | 75 | 43+ |
| TERRANO / PATHFINDER (3) | 5 □ 89 -> 95 | 75 | 43+ |
| TERRANO / PATHFINDER (3) | 3 □ 86 -> 95 | 75 | 43+ |
| TERRANO II (3) | 5 □ 93 -> | 75 | 49+ |
| TERRANO II (3) | 3 □ 93 -> | 75 | 49+ |
| X-TRAIL (3) | 5 □ 07/14 -> | 75 | 49+ |
| OPEL | | | |
| AGILA (3) | 5 □ 00 -> 03/08 | 75 | 49+ |
| ANTARA (3) | 5 □ 07 -> | 100 | 49+ |
| ASTRA Break (F) (3) | 5 □ 91 -> 97 | 100 | 43+ |
| ASTRA Break (G) (3) | 5 □ 98 -> 08/04 | 100 | 43+ |
| COMBO LIFE (L1) (3) | 5 □ 09/18 -> | 75 | 52+ |
| COMBO LIFE (L2) (3) | 5 □ 09/18 -> | 75 | 52+ |
| COMBO TOUR (3) | □ 12 -> | 60 | 52+ |
| FRONTERA (3) | 5 □ 99 -> | 100 | 49+ |
| FRONTERA (3) | 5 □ 91 -> 98 | 100 | 43+ |
| FRONTERA (3) | 3 □ 99 -> | 100 | 49+ |
| FRONTERA (3) | 3 □ 91 -> 98 | 100 | 49+ |
| KADETT (3) | 5 □ 84 -> 91 | 100 | 43+ |
| KARL ROCKS (3) | 5 □ 16 -> | 75 | 46+ |
| OMEGA Caravan / Break (3) | 5 □ 94 -> | 100 | 43+ |
| SINTRA (3) | 5 □ 96 -> | 75 | 49+ |
| VECTRA Caravan / Break (3) | 5 □ 96 -> 08/03 | 100 | 43+ |
| ZAFIRA (3) | 5 □ 99 -> 08/05 | 75 | 43+ |
| PEUGEOT | | | |
| 1007 (3) | 3 □ 05 -> | 100 | 49+ |
| 2008 (3) | 5 □ 13 -> 19 | 100 | 49+ |
| 206 SW / Break (3) | 5 □ 02 -> | 80 | 43+ |
| 207 SW (3) | 5 □ 07/07 -> | 75 | 49+ |
| 306 Break (3) | 5 □ 97 -> | 75 | 43+ |
| 307 SW / Break (3) | 5 □ 02 -> | 80 | 49+ |
| 308 SW (3) | 5 □ 05/08 -> 04/14 | 80 | 49+ |
| 4007 (3) | 5 □ 07/07 -> | 100 | 49+ |
| 406 Break (3) | 5 □ 96 -> | 100 | 43+ |
| 407 SW (3) | 5 □ 04 -> | 100 | 49+ |
| BIPPER TEEPEE / OUTDOOR (3) | 5 □ 04/08 -> | 80 | 52+ |
| PARTNER (3) | 5 □ 96 -> 03/08 | 60 | 43+ |
| PARTNER QUICKSILVER (3) | 5 □ 06 -> 03/08 | 75 | 49+ |





6

EN For the guarantee to be valid/applicable, the adhesive must be attached under one of the roof bars
FR Pour que la garantie puisse s'appliquer, l'adhésif doit être impérativement collé sous l'une des barres
ES Para mantener la garantía, es necesario mantener el precinto derecho pegado bajo de una de las barras
DE Damit die Garantie gültig wird, muß das Klebeband zwingend unter einen der Dachträger angebracht werden
IT La garanzia è valida solo se l'adesivo è stato applicato sotto una delle barre
NL Opdat de waarborg zou gelden is het imperatief van de zelfklever op één dragers te kleven
PT Para que a garantia possa ser aplicável, o adesivo de e ser colado por baixo de uma das barras
PL Aby zachować gwarancję, należy nakleić naklejkę pod jedną z belek
HU A garancia érvényességéhez, a matricát az egyik rúd aljára fel kell ragasztani
NO For at garantien skal gjelde, må etiketten festes på undersiden av en av takbøylene
RO Pentru ca garanția să poată fi aplicată, adezivul trebuie să fie imperativ lipit sub una din bare
ET Garantii kehtimiseks peab kleebis olema kinnitatud ühe katuseraami alla
LT Kad garantija galioti, lipdukas turi būti pritvirtintas po vienu iš stogo skersinių
SE För att garantin skall gälla måste etiketten fästas på undersidan av en av takbågarna
BG За да бъде валидна гаранцията / е приложимо, лепилото трябва да бъдат приложени по един от баровете на багажник
LV Garantinin gečerli / ugun olabilmesi için, yapışkan çatı raf çubuklardan birini altında eklenmelidir.
FI Takuu on voimassa vain, jos aetiketti kiinnitetään yhden kattokaareen alapuolelle
GR Για να έχει ισχύ η εγγύηση, το σπλιτ πρέπει να είναι βρισκείται οπισωδότησε κάτω από μια από τις μεταρές της οροφής
DK For at garantien skal være gældende, skal klæbemidlet være påført under en af tagbøjlestrømmer

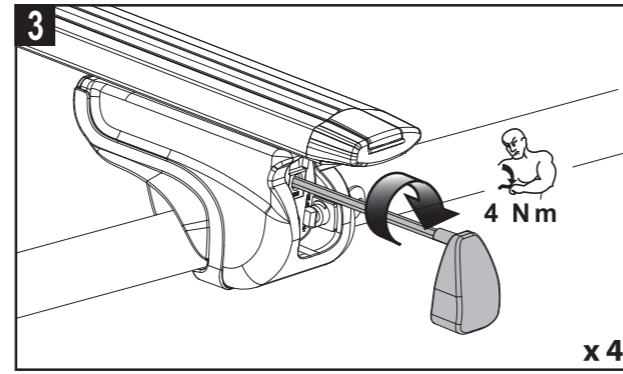
AUTOMAXI INTERNATIONAL
 35417 SAINT-MALO CEDEX
 France

Type: BARRE DE TOIT / ROOF RACK
 Modél: AMC FIX RAIL FOOT N°5400
 Max Load: 70 KG

OF: xxxxxx

245 400

B1G-1



EN Appropriate for the listed vehicles - **FR** Les barres de toit ne doivent pas être utilisées sur des véhicules autres que spécifiés - **ES** Válido para la lista adjunta de vehículos - **DE** Passend für die gelisteten - **IT** Appropriare per veicolo
NL Geschikt voor voertuig - **PT** Apropriado aos seguintes veículos - **PL** Pasuje do samochodów
HU Megfelelő gépjármű - **NO** Produktet er kun beregnet for angitte kjøretøy - **RO** Convenabil pentru vehicul - **ET** Sobib loetletud sõidukitele
LT Tinka nurodytiems transporto priemonėms - **SE** Produkten är endast avsedd för angivna fordon - **BG** Релсите за багажник на покрива не трябва да се използват при автомобили, различни от посочените
LV Piemērots norādītajiem transportlīdzekļiem - **FI** Tuote on tarkoitettu vain ilmoitetuille ajoneuvoille - **GR** Για το οχήμα - **DK** Egnnet til køretøjer

| Vehicle | Year | Weight (KG) | Height (cm) |
|-------------------------------|------------------|-------------|-------------|
| ALFA ROMEO | | | |
| 156 Crosswagon (3) | 5 04 -> | 75 | 49+ |
| 156 Sportwagon (3) | 5 03/02 -> | 75 | 49+ |
| 156 Sportwagon (3) | 5 00 -> 02/02 | 75 | 49+ |
| 159 SW (3) | 5 06 -> | 50 | 49+ |
| AUDI | | | |
| 100 Avant (3) | 5 91 -> 94 | 100 | 49+ |
| 200 Avant (3) | 5 83 -> 90 | 75 | 49+ |
| 80 Avant (3) | 5 92 -> 96 | 75 | 43+ |
| A4 ALLROAD (3) | 5 05/09 -> 05/16 | 100 | 49+ |
| A4 ALLROAD (3) | 5 05/09 -> 05/16 | 100 | 49+ |
| A4 Avant (3) | 5 06/16 -> | 75 | 49+ |
| A4 Avant (3) | 5 11/04 -> 04/08 | 75 | 43+ |
| A4 Avant (3) | 5 08/01 -> 10/04 | 75 | 43+ |
| A6 ALLROAD (3) | 5 06/06 -> 04/12 | 100 | 49+ |
| A6 ALLROAD (3) | 5 00 -> 05/06 | 100 | 49+ |
| A6 ALLROAD (3) | 5 09/19 -> | 100 | 49+ |
| A6 Avant (3) | 5 09 -> 02/05 | 100 | 49+ |
| A6 Avant (3) | 5 09 -> 02/05 | 100 | 49+ |
| BMW | | | |
| SERIE 3 Touring (E36) (3) | 5 95 -> 99 | 75 | 43+ |
| SERIE 3 Touring (E46) (3) | 5 00 -> 09/05 | 75 | 43+ |
| SERIE 3 Touring (E91) (3) | 5 10/05 -> 09 | 75 | 49+ |
| SERIE 5 Touring (E39) (3) | 5 97 -> 04/04 | 100 | 43+ |
| SERIE 5 Touring (E61) (3) | 5 05/04 -> 08/10 | 75 | 49+ |
| X3 (E83) (3) | 5 03 -> 11/10 | 75 | 49+ |
| X5 (E53) (3) | 5 00 -> 02/07 | 75 | 49+ |
| X5 (E70) Open Rails (3) | 5 03/07 -> 10/13 | 100 | 49+ |
| CADILLAC | | | |
| SRX (3) | 5 09 -> | 70 | 49+ |
| SRX (3) | 5 04 -> 08 | 70 | 49+ |
| CHEVROLET | | | |
| CAPTIVA (3) | 5 06 -> | 100 | 49+ |
| LACETTI (3) | 5 05 -> | 75 | 43+ |
| MATIZ (3) | 5 03/05 -> | 50 | 43+ |
| NUBIRA Break (3) | 5 09/04 -> | 75 | 43+ |
| REZZO / TACUMA (3) | 5 05 -> | 75 | 43+ |
| SPARK (3) | 5 10 -> | 50 | 43+ |
| TRANS SPORT (3) | 5 97 -> | 75 | 49+ |
| CHRYSLER | | | |
| 300C TOURING (3) | 5 06 -> | 70 | 49+ |
| GRAND VOYAGER (3) | 5 96 -> 00 | 70 | 49+ |
| VOYAGER (3) | 5 96 -> 00 | 70 | 49+ |
| VOYAGER (3) | 5 83 -> 95 | 70 | 49+ |
| CITROËN | | | |
| BERLINGO II (hayon) (3)(13) | 5 05/08 -> 08/18 | 75 | 52+ |
| BERLINGO II MODUTOP B9 (3) | 5 05/08 -> 08/18 | 75 | 49+ |
| BERLINGO II MULTISPACE B9 (3) | 5 05/08 -> 08/18 | 75 | 49+ |
| BERLINGO Multispace (3) | 5 97 -> 04/08 | 70 | 43+ |
| BX Break (3) | 5 83 -> 99 | 75 | 49+ |
| C-CROSSER (3) | 5 07/07 -> | 100 | 49+ |
| C3 PICASSO (3) | 5 09 -> | 60 | 49+ |
| C3 X-TR (3) | 5 04 -> | 70 | 49+ |
| C3-AIRCROSS (3) | 5 17 -> | 45 | 49+ |
| C4 GRAND PICASSO (3) | 5 10/06 -> 09/13 | 60 | 52+ |
| C5 Break (3) | 5 01 -> 05/08 | 75 | 43+ |
| C5 Tourer (3) | 5 06/08 -> | 80 | 49+ |
| C5-AIRCROSS(3) | 5 18 -> | 75 | 49+ |
| NEMO COMBI (3) | 5 08 -> | 80 | 52+ |
| XM Break (3) | 5 91 -> 00 | 100 | 49+ |
| ZX Break (3) | 5 94 -> 99 | 75 | 43+ |
| CUPRA | | | |
| ATECA (3) | 5 18 -> | 75 | 49+ |
| FORMENTOR (3) | 5 21 -> | 75 | 49+ |
| DACIA | | | |
| DOKKER (3) | 5 12 -> | 75 | 49+ |
| DOKKER (3) | 4 12 -> | 75 | 49+ |
| DUSTER (3) | 5 10 -> 10/13 | 80 | 49+ |
| DUSTER III (3) | 5 24 -> | 75 | 49+ |
| JOGGER (3) | 5 22 -> | 75 | 49+ |
| DAEWOO | | | |
| LACETTI (3) | 5 04 -> | 75 | 43+ |
| MATIZ (3) | 5 98 -> 02/05 | 50 | 43+ |
| NUBIRA Break (3) | 5 97 -> 08/04 | 100 | 43+ |
| NUBIRA Break (3) | 5 09/04 -> | 75 | 43+ |
| REXTON (3) | 5 02 -> | 100 | 49+ |
| REZZO / TACUMA (3) | 5 00 -> | 75 | 43+ |
| DAIHATSU | | | |
| TERIOS (3) | 5 05/06 -> | 80 | 49+ |
| DODGE | | | |
| JOURNEY (3) | 5 06/08 -> | 75 | 49+ |
| FIAT | | | |
| 4X4 CROSS (3) | 5 06 -> 12 | 50 | 49+ |
| CROMA (3) | 5 06/05 -> | 75 | 49+ |
| DOBLO (3) | 0 01 -> 09 | 75 | 49+ |
| DOBLO II (3) | 0 10 -> 22 | 60 | 52+ |
| FIORINO (3) | 5 08 -> | 80 | 52+ |
| FIORINO QUBO (3) | 5 08 -> | 75 | 52+ |
| FREEMONT (3) | 5 11 -> | 70 | 49+ |
| IDEA (3) | 5 03 -> | 75 | 49+ |
| MAREA Week End (3) | 5 97 -> | 80 | 43+ |
| PALIO Week End (3) | 5 97 -> | 75 | 43+ |
| PANDA (3) | 5 10/03 -> 02/12 | 50 | 49+ |
| PANDA 4X4 (3) | 5 04 -> 12 | 50 | 49+ |
| PANDA CROSS (3) | 5 14 -> | 75 | 49+ |
| SEDICI (3) | 5 06 -> | 60 | 49+ |
| STILO Multi Wagon (3) | 5 01 -> | 75 | 49+ |
| STILO Multi Wagon Uproad (3) | 5 05 -> | 75 | 49+ |
| TEMPRA Station Wagon (3) | 5 90 -> 96 | 100 | 43+ |
| UNO Break / Hobby (3) | 5 84 -> 98 | 50 | 43+ |
| FORD | | | |
| AEROSTAR (3) | 5 97 -> | 75 | 49+ |
| ESCORT Clipper / Break (3) | 5 90 -> 99 | 75 | 43+ |
| EXPLORER | 5 20 -> | 75 | 52+ |
| FOCUS Clipper / Break (3) | 5 99 -> 09/04 | 75 | 43+ |
| FOCUS II Station Wagon (3) | 5 10/04 -> 04/11 | 75 | 49+ |
| GALAXY (3) | 5 96 -> 05/06 | 75 | 49+ |
| GRAND C-MAX (3) | 5 10/10 -> | 100 | 49+ |
| KA+ ACTIVE (3) | 5 18 -> | 75 | 46+ |
| KUGA (3) | 5 06/08 -> 10/12 | 75 | 49+ |
| KUGA II (3) | 5 11/12 -> 19 | 100 | 52+ |
| MAVERICK (3) | 5 92 -> 98 | 55 | 49+ |
| MAVERICK (3) | 3 92 -> 98 | 55 | 49+ |
| MONDEO I Clipper / Break (3) | 5 93 -> 00 | 75 | 43+ |
| MONDEO II Clipper / Break (3) | 5 01 -> | 75 | 43+ |
| MONDEO III SW (3) | 5 06/07 -> 12/14 | 75 | 49+ |
| RANGER DOUBLE CAB (3) | 4 03/12 -> | 75 | 49+ |
| RANGER SUPER CAB (3) | 4 03/12 -> | 75 | 49+ |
| SCORPIO (3) | 5 85 -> 94 | 75 | 43+ |
| SCORPIO Clipper / Break (3) | 5 91 -> | 100 | 43+ |
| SIERRA Clipper / Break (3) | 5 83 -> 99 | 75 | 43+ |
| TOURNEO CONNECT (3) | 5 22 -> | 75 | 52+ |
| TOURNEO COURRIER (3) | 5 14 -> | 45 | 49+ |
| TOURNEO GRAND CONNECT (3) | 5 22 -> | 75 | 52+ |
| HONDA | | | |
| ACCORD Tourer / Break (3) | 5 09/08 -> | 75 | 49+ |
| ACCORD Tourer / Break (3) | 5 03 -> 08/08 | 70 | 49+ |
| ACCORD WAG / Break (3) | 5 94 -> 97 | 75 | 43+ |
| CIVIC Aerodeck (3) | 5 98 -> | 75 | 43+ |
| CR-V (3) | 5 96 -> 01 | 50 | 49+ |
| HR-V | 5 22 -> | 75 | 49+ |
| JAZZ CROSSTAR (3) | 5 20 -> | 75 | 49+ |
| ODYSSEY / SHUTTLE (3) | 5 95 -> | 75 | 49+ |
| HYUNDAI | | | |
| ATOS (3) | 5 97 -> | 75 | 43+ |