

KAYOBA



025701



MOUNTAIN BIKE

OPERATING INSTRUCTIONS - Original instructions

SV MOUNTAINBIKE BRUKSANVISNING

Översättning av originalinstruktioner

NO MOUNTAINBIKE BETJENINGSANVISNINGER

Oversettelse av originalinstruksjonene

DA MOUNTAINBIKE BETJENINGSVEJLEDNING

Oversættelse af den originale vejledning

PL ROWER GÓRSKI INSTRUKCJA OBSŁUGI

Przekład instrukcji oryginalnej

DE MOUNTAINBIKE BEDIENUNGSANLEITUNG

Übersetzung der Originalanleitung

FI MAASTOPYÖRÄ KÄYTTÖOHJE

Alkuperäisten ohjeiden käännös

FR VTT INSTRUCTIONS D'UTILISATION

Traduction des instructions d'origine

NL MOUNTAIN BIKE BEDIENINGSINSTRUCTIES

Vertaling van de originele instructies

Jula AB förbehåller sig rätten att göra ändringar på produkten. Jula AB innehar upphovsrätten till denna dokumentation. Det är inte tillåtet att modifiera eller ändra denna dokumentation på något sätt och bruksanvisningen ska skrivas ut och användas som den är i förhållande till produkten. Se Julas webbplats för den senaste versionen av bruksanvisningen.

Jula AB forbeholder seg retten til å endre produktet. Jula AB innehar opphavsretten til denne dokumentasjonen. Det er ikke tillatt å modifisere eller endre denne dokumentasjonen på noen som helst måte, og håndboken skal trykkes og brukes som den er i forhold til produktet. For siste versjon av betjeningsanvisningene, se Julas nettsider.

Jula AB forbeholder sig retten til at ændre produktet. Jula AB har ophavsretten til denne dokumentation. Det er ikke tilladt at modificere eller ændre denne dokumentation på nogen måde, og manualen skal printes og bruges som den er i forhold til produktet. For den seneste version af betjeningsvejledningen, se Julas hjemmeside.

Jula AB zastrzega sobie prawo do wprowadzania zmian w produkcie. Jula AB zastrzega sobie prawa autorskie do niniejszej dokumentacji. Dokumentacji nie wolno w żaden sposób modyfikować ani zmieniać, a instrukcję należy drukować i używać ją w odniesieniu do produktu w stanie niezmienionym. Najnowszą wersję instrukcji obsługi można znaleźć na stronie internetowej Jula.

Jula AB reserves the right to make changes to the product. Jula AB claims copyright on this documentation. It is not allowed to modify or alter this documentation in any way and the manual shall be printed and used as it is in relation to the product. For the latest version of operating instructions, refer to the Jula website.

Jula AB behält sich das Recht vor, Änderungen am Produkt vorzunehmen. Jula AB beansprucht die Urheberrechte an dieser Dokumentation. Es ist nicht zulässig, diese Dokumentation in irgendeiner Weise zu verändern oder umzugestalten. Die Anleitung muss gedruckt und so verwendet werden, wie sie in Bezug zum Produkt steht. Die aktuellste Version der Bedienungsanleitung finden Sie auf der Website von Jula.

Jula AB pidättää oikeuden tehdä tuoteeseen muutoksia. Jula AB:llä on tämän dokumentaation tekijänoikeus. Tätä dokumentaatiota ei saa muuttaa millään tavalla ja käyttöopas on tulostettava ja sitä on käytettävä sellaisena kuin se on tämän tuotteen kanssa. Käyttöohjeiden uusin versio löytyy Julan verkkosivustolta.

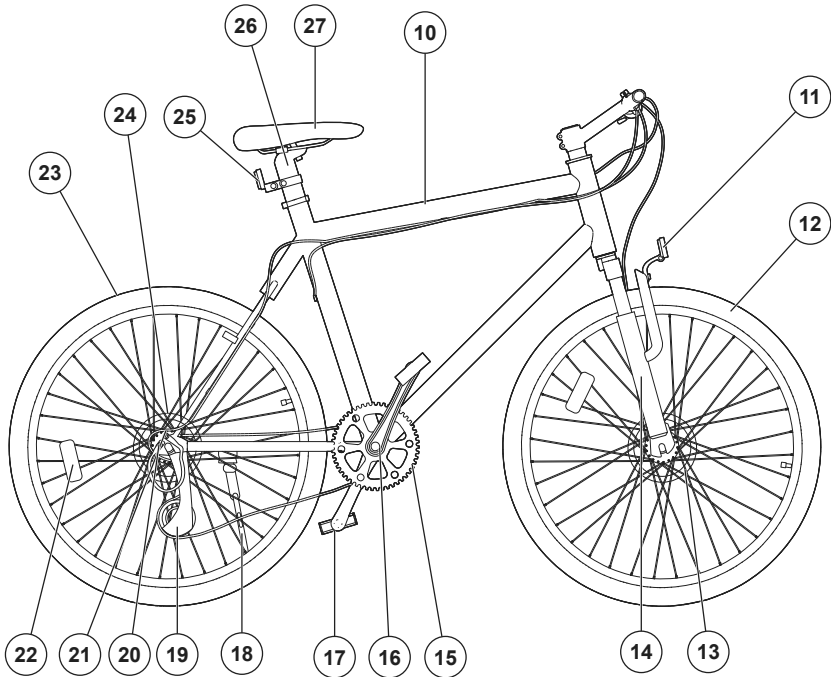
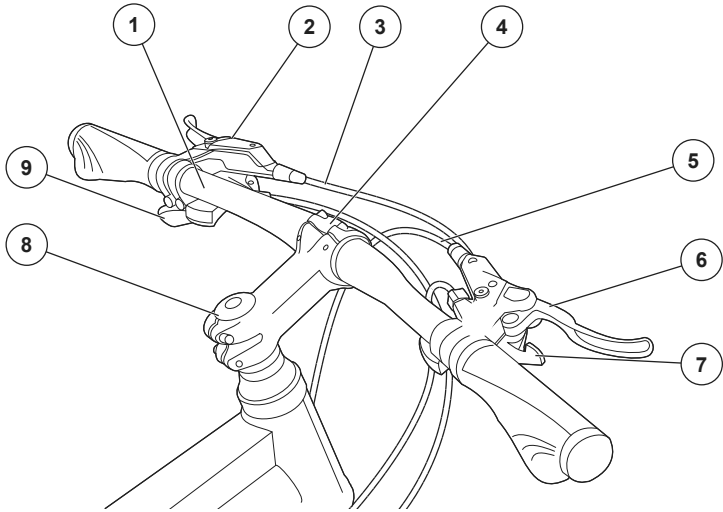
Jula AB se réserve le droit d'apporter des modifications au produit. Jula AB revendique les droits d'auteur sur cette documentation. Il est interdit de modifier ou d'altérer cette documentation de quelque manière que ce soit et le manuel doit être imprimé et utilisé tel quel en relation avec le produit. Pour obtenir la dernière version des instructions d'utilisation, consultez le site Web de Jula.

Jula AB behoudt zich het recht voor om wijzigingen aan het product aan te brengen. Jula AB claimt het copyright op deze documentatie. Het is niet toegestaan om deze documentatie op welke manier dan ook te wijzigen of te veranderen. De handleiding moet worden afgedrukt en gebruikt zoals deze in relatie tot het product staat. Raadpleeg de Jula-website voor de laatste versie van de bedieningsinstructies.

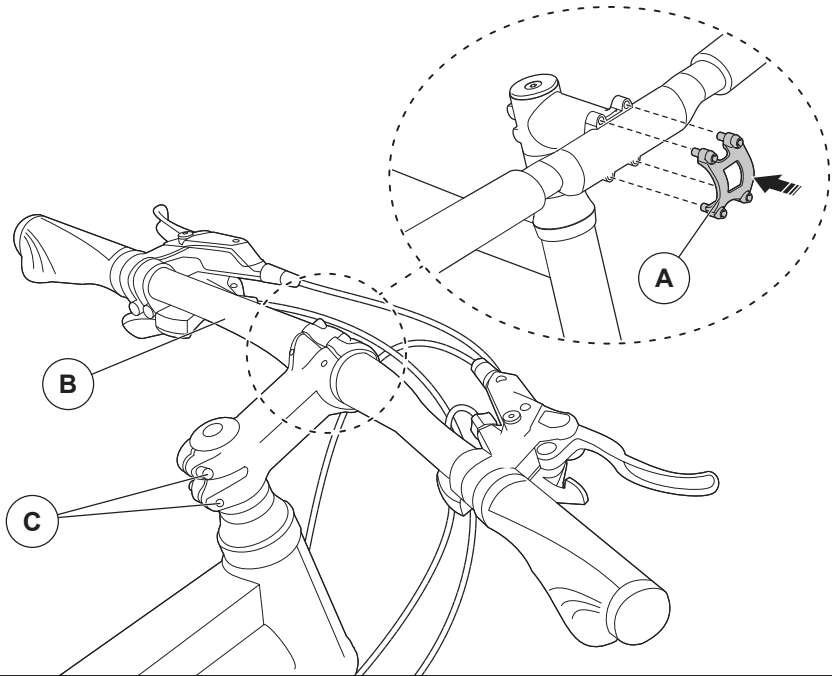
WWW.JULA.COM

© JULA AB 2025-11-10

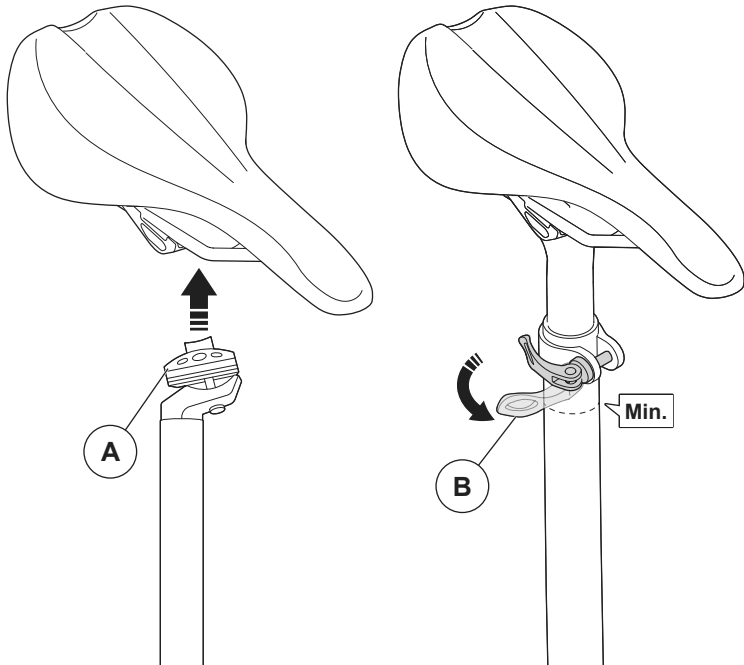
**JULA AB
BOX 363, 532 24 SKARA, SWEDEN**

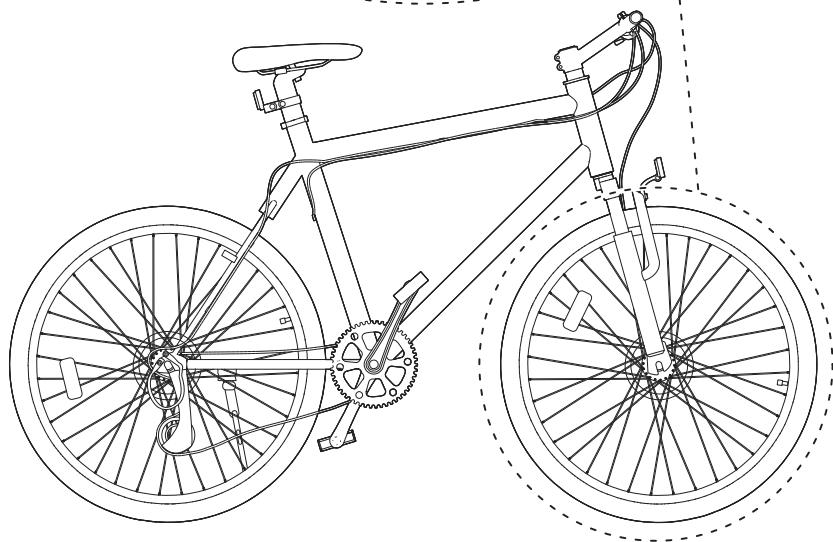
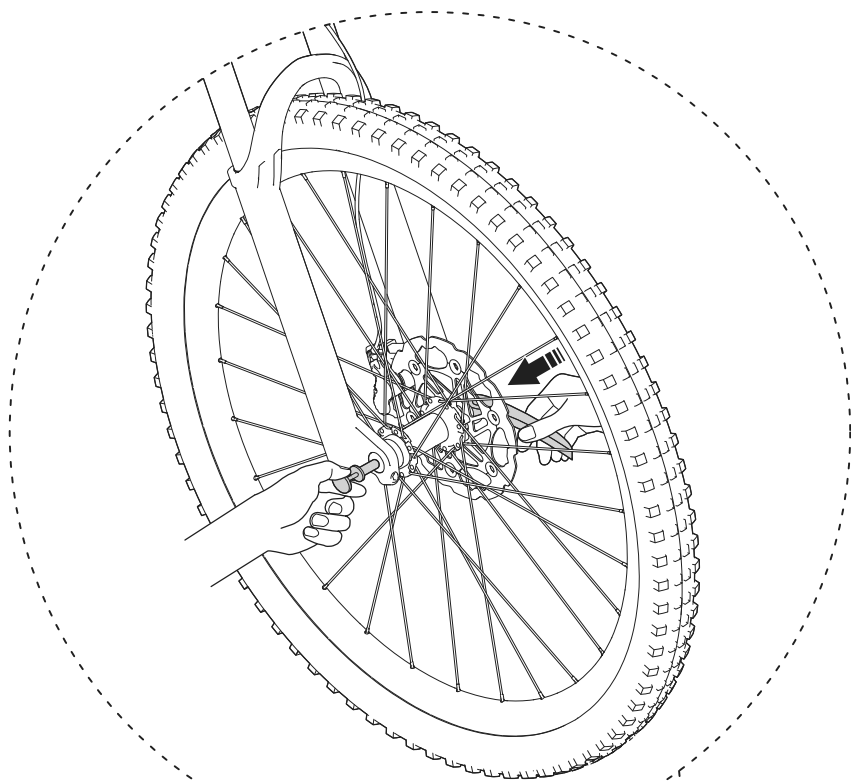


2

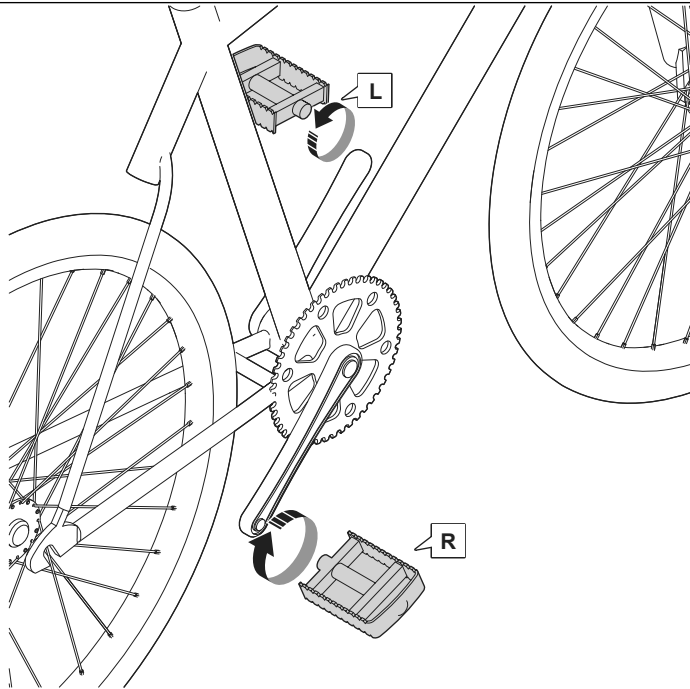


3

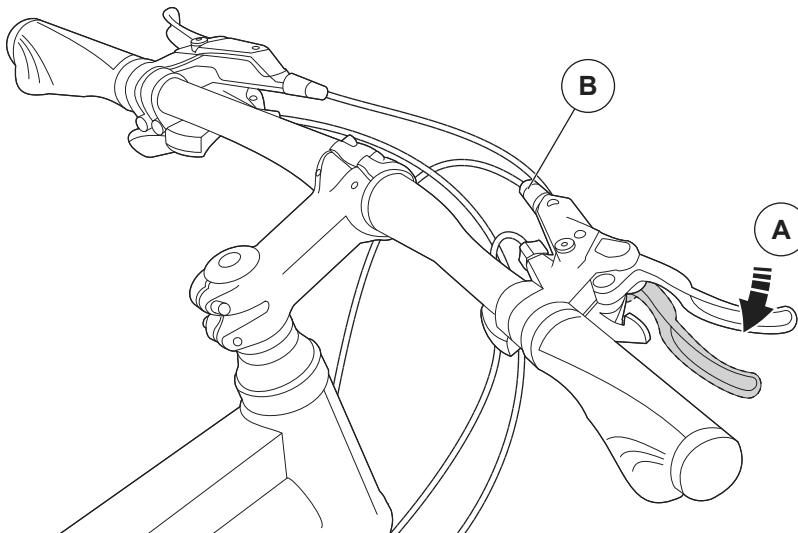




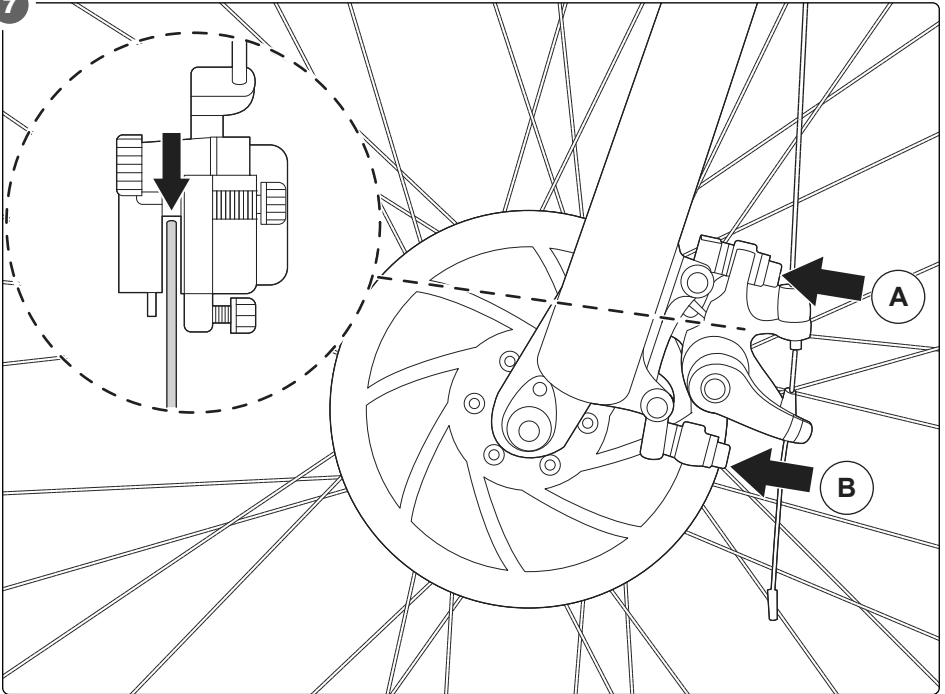
5



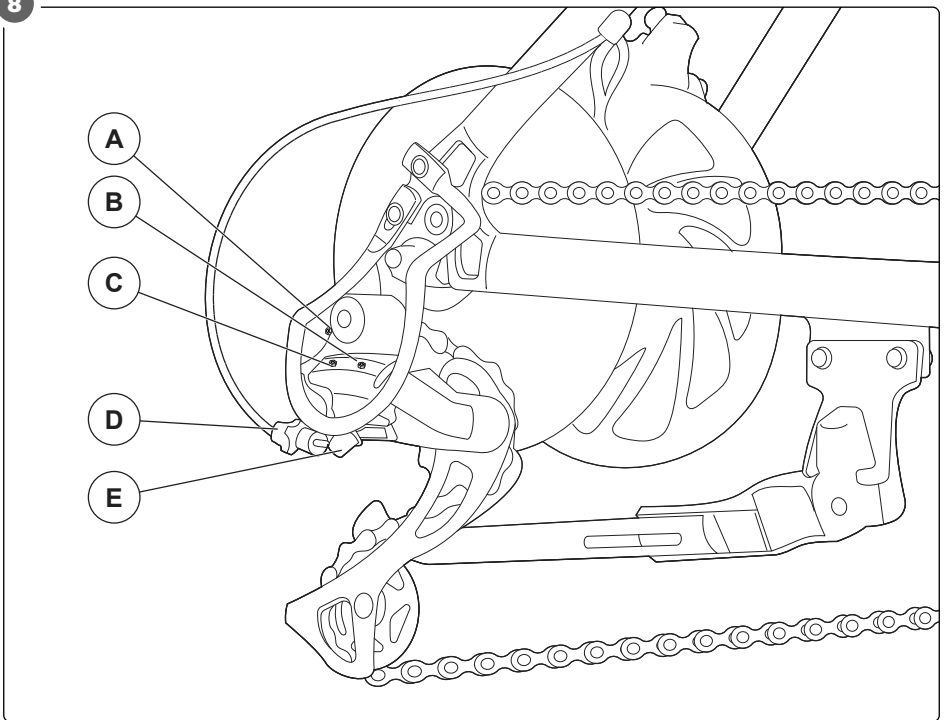
6



7



8



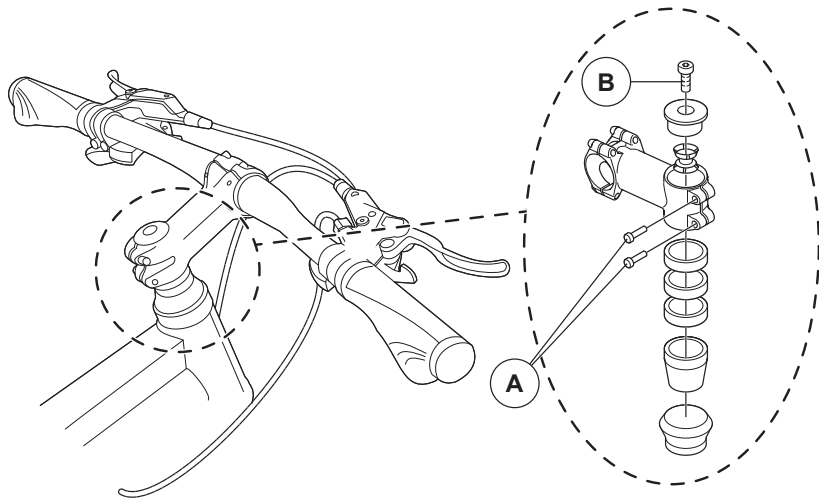


Table of contents




1 Introduction	9
1.1 Product description.....	9
1.2 Symbols	9
1.3 Product overview	9
2 Safety	10
2.1 Safety definitions.....	10
2.2 Safety instructions for operation.....	10
3 Assembly	10
3.1 Tools for assembly and adjustment	10
3.2 To assemble the handlebars	10
3.3 To install the saddle post and the saddle.....	10
3.4 To assemble the front wheel	10
3.5 To assemble the pedals	11
3.6 Front and rear brake.....	11
4 Operation	11
4.1 To do before the operation	11
4.2 To use the brakes	11
4.3 To shift gears	11
5 Maintenance	12
5.1 To adjust the saddle	12
5.2 To lubricate the chain.....	12
5.3 To do a check of tires and rims.....	12
5.4 To adjust the chain	12
5.5 To adjust the brake lever	13
5.6 To adjust the disc brake.....	13
5.7 To adjust the gears	13
5.8 To clean the product.....	13
5.9 To adjust the tension of the headset	13
6 Troubleshooting	14
7 Storage	14
8 Disposal	14
9 Technical data	14

1 Introduction

1.1 Product description

The product is a 29" mountain bike with 24 gears.

1.2 Symbols

	Read the operating instructions carefully and make sure that you understand the instructions before you use the product. Save the instructions for future reference.
	This product complies with applicable EU directives and regulations.
	Discarded product must be recycled according to current regulations.

1.3 Product overview

(Figure 1)

1. Handlebar
2. Left hand brake
3. Left hand brake wire
4. Handlebar clamp
5. Right hand brake wire
6. Right hand brake
7. Right gear shifter
8. Handlebar stem
9. Left gear shifter
10. Frame
11. Front reflector (white)
12. Front wheel
13. Disc brake
14. Front suspension
15. Chain wheel
16. Crank arm
17. Pedal
18. Bike stand
19. Rear derailleur
20. Guard for the rear derailleur
21. Cassette (rear gear)
22. Spoke reflector
23. Rear wheel
24. Rear discbrake
25. Rear reflector (red)
26. Saddle post
27. Saddle

2 Safety

2.1 Safety definitions

Warning! If you do not obey these instructions, there is a risk of death or injury.

Caution! If you do not obey these instructions, there is a risk of damage to the product, other materials or the adjacent area.

Note! Information that is necessary in a given situation.

2.2 Safety instructions for operation

Warning! If you do not obey these instructions, there is a risk of death or injury.

- The instructions describe how to ride safely and keep the product in good condition. Read the instructions carefully and follow them.
- The product is a vehicle. Always follow the local traffic regulations.
- Do not let a passenger sit on the product.
- Always wear a bike helmet.
- If it is dark, lamps must be attached and used on the product. Wear bright clothes, if it is possible.

Note! Front and rear lamps are not included with the product.

- If it is wet, the power of the brake is reduced. Cycle more slowly and apply the brake earlier than in dry weather.
- Do not modify the product.
- Do not use the product other than what it is intended for.
- Do not use the product if you are tired, ill or under the influence of alcohol, drugs or medicine. This has a negative effect on your vision, alertness, coordination and judgement.
- Do not allow anyone who is unfamiliar with the product to use it.
- Do not use the product if it is damaged.
- Do not hang anything on the handlebar that will affect the steering of the product or get entangled in the front wheel.

3 Assembly

3.1 Tools for assembly and adjustment

- Combination wrenches, size 13, 14, 15 mm.
- Hex keys, size 5, 6 and 8 mm.
- Screwdrivers.
- Grease.

3.2 To assemble the handlebars

Figure 2

- 1 Loosen the bolts that hold the upper part of the handlebar clamp (A) on the handlebar stem. Attach the handle bar (B).

Note! Make sure that the the handlebar is straight and the brake wires are put on the right side of the front fork. If the wires are not installed correctly, rotate the wires to the correct position.

- 2 Adjust the angle handlebar to applicable angle and tighten the bolts in crisscross sequence.
- 3 Make sure that the bolts (C) on the handlebar stem are tightened.

3.3 To install the saddle post and the saddle

Figure 3

- 1 Insert the upper part of the saddle post under the saddle (A). Make sure the clamp is correctly attached and tighten the bolts.
- 2 Put grease on the saddle post.
- 3 Install the saddle post into the seat tube.

Note! Make sure that the marking for the minimum height on the saddle post is below the edge of the seat tube.

- 4 Lock the saddle post to the applicable height, make sure that the quick release lever is locked (B).

3.4 To assemble the front wheel

Figure 4

Note! For easier access when you install the tires and the pedal, turn the product with the saddle and handlebar down on the ground.

- 1 Install the front wheel between the forks on the front suspension. Make sure that the front wheel is centered between the fork legs and the rim brakes.
- 2 Put the quick release shaft through the forks and the wheel. Tighten the wheel axle, make sure the quick release lever is correctly locked. (Figure 4)

3.5 To assemble the pedals

Note! Install the right pedal on the right side of the bike, and the left pedal to the left side of the bike. If the pedals are not installed correctly, it can cause damage to the threads on the pedals.

3.5.1 To fit the right pedal

Figure 5

- 1 Turn the pedal clockwise on the chain side of the crank arm. Refer to the marking on the pedal, the right pedal is marked with "R".
- 2 Tighten the bolt with a 15 mm spanner wrench.

3.5.2 To fit the left pedal

Figure 5

- 1 Turn the pedal counter-clockwise, on the opposite side. Refer to the marking on the pedal, the left pedal is marked with "L".
- 2 Tighten the bolt with a 15 mm spanner wrench.

3.6 Front and rear brake

Warning! Do not use a product with brakes that do not work correctly.

The product has front and rear disc brakes.

- Adjust the brake lever if necessary. Refer to ["5.5 To adjust the brake lever"](#) on page 13

Note! The brake lever on the left side of the handlebar applies to the front brake and the brake lever on the right side applies for the rear brake.

4 Operation

Warning! Use a leg band or similar equipment to minimize the risk of entrapment in the chain or sprockets.

4.1 To do before the operation

- Make sure that the height of the saddle and the handlebars are correctly adjusted.

- Make sure that the product is assembled with brakes and a bell.
- Make sure that the product has a front lamp with a white light and a rear lamp with a red light. Make sure that the lamps can be lit.
- Do a check that the reflectors of the product are correctly installed, clean and not obscured. Replace damaged reflectors.
- Learn how to use the components and accessories on the product correctly. If you do not learn how to use the brakes on the product you can get seriously injured.
- Make sure that the brakes stops the wheels when applied.
- Make sure that all screw and components are tightened and correctly installed.
- Make sure that the wheels are correctly installed.
- Make sure that the rims are not damaged.
- Make sure that the tires are not damaged and have the correct air pressure. Refer to the marking on the tires.
- Make sure that the steering moves correctly.

4.2 To use the brakes

- Apply the rear brake (right brake lever) before you apply the front brake.

Warning! Do not apply the front brake when you turn the product or on a slippery surface.

4.3 To shift gears

Caution! Do not pedal backwards when you change gears.

Caution! Do not force the gears!

Note! When changing gear, do not change from the large rear sprocket directly to the large front sprocket. This causes the chain to be at an acute angle and makes it difficult to change gears. Refer to the guide for recommended gear combination.

- Use the left-hand gear shift to switch between the chain rings on the chain set.
- Use the right-hand gear shift to switch between the different sprockets on the cassette.
- Shift to a lower gear before it becomes necessary. You must be able to pedal forward when you shift gears.

- Shift to a lower gear before you stop the product. That makes it easier to start the bike.

4.3.1 Low gear

The lowest gear on the bike is the smallest chain ring in the front and the largest cog on the cassette. The pedaling will be at the easiest, the lowest gear is suitable for biking uphill.

4.3.2 High gear

The highest gear on the bike is the smallest chain ring in the front and the smallest cog on the cassette. In this position the pedaling will be the hardest, this gear is suitable for biking downhill.

5 Maintenance

Note! Frequency of maintenance should increase when the product is used more often or when the product is used in wet or dusty conditions.

To make sure that the product is safe to use, only use original spare parts when you replace parts that are applicable for safety.

- Let an approved service center do service to the product at least every 6 months.
- Make sure that all screws are correctly tightened and that the wires are installed correctly to the frame and not damaged after adjustments are made.

5.1 To adjust the saddle

Note! Stand-over height is the distance from the ground to the top of the bicycle frame when standing over it.

- 1 Stand over the product and measure the minimum standard clearance from the upper part of the frame to the crotch. The standard clearance is 7.5 cm if the product is driven on paved ground. Riding the product offroad the stand-over clearance should be 10 cm and 15 cm at maximum.
- 2 Open the quick release lever and adjust the height of the saddle to the applicable position. Move the saddle with small adjustments to find the correct position.
- 3 If it is necessary, adjust the angle of the saddle. Loosen the bolt securing the saddle, adjust the angle and tighten the bolt.

5.2 To lubricate the chain

⚠ Caution! Do not over-lubricate, remove excess lubricant to prevent dirt build up

The chain should be lubricated at regular intervals. If the chain is dry, it can rust and get damaged.

- 1 Lubricate the chain with applicable chain oil.
- 2 Rotate the pedal a few turns, to let the oil go into the link.
- 3 Wipe the chain with a cloth.

5.3 To do a check of tires and rims

- Regularly examine the spokes and that the wheels are not bent or deformed.
- Do a check of the inflation pressure in the tyres at regular intervals. Refer to the side of the tyre for the correct inflation pressure. If the inflation pressure is given in an interval always use the lower value.
- Regularly do a check that the tires are not damaged.
- Do not let the tire touch oil, petrol, paraffin or agents that can cause damage to the rubber.
- Make sure that the tires are centered between the forks. Check the space between the tire and the frame on each side. If it is not even, loosen the wheel axle nuts and center the wheel.

5.4 To adjust the chain

Note! If the chain can be moved more than 1 cm up or down it must be tensioned. The chain must not be over-tensioned, make sure that you can move it up and down.

- 1 Loosen the hub axle of the rear wheel.
- 2 Pull the rear wheel rearward to stretch the chain.
- 3 Make sure that the rear wheel is straight. Fully tighten the nuts on the rear axle.
- 4 Make sure that the chain has the correct tension and that the wheels are installed correctly.

5.5 To adjust the brake lever

Figure 6

The brake must not rub against the rim when the brake lever is not pushed. The handle must not be pushed fully to the handlebar. The brake should apply full power when the brake lever is pushed halfway (A).

- 1 Turn the adjusting sleeve (B) in the brake lever to increase or reduce the movement of the brake lever.
- 2 If larger adjustment is needed, release the wire lock on the brake arm. Move the wire to the required position and fully tighten the wire lock.
- 3 To replace the brake wires, refer to your service center.

5.6 To adjust the disc brake

Figure 7

- If the brake cable is disconnected from the disc caliper; loosen the bolt in the adjustment barrel.
- Put the wire through the hole in the adjustment barrel and tighten the bolt.
- If it is necessary, replace the brake pads inside the caliper. Refer to a service center.

5.6.1 To center the disc brake

Figure 7

- If the brake is not centered, find which side needs to be adjusted and adjust the disc brake caliper screws (A) and (B). Make small adjustments, spin the wheel and listen for any rubbing noise or friction.

5.7 To adjust the gears

Figure 8

- A. **B-tension screw:** To adjust the angle of the derailleur relative to the cassette.
- B. **High limit screw:** Turn clockwise to adjust the derailleur inwards, turn counter-clockwise to adjust the derailleur upwards.
- C. **Low limit screw:** To adjust the limit when the derailleur should shift to the next gear.
- D. **Barrel adjuster:** To do fine adjustment of the wire.
- E. **Wire tension adjustment screw:** Holds the wire at the anchor.

- 1 Move the rear gear to the largest number, disconnect the rear derailleur cable from the cable anchor bolt and place the chain on the smallest sprocket.

- 2 Adjust the high limit screw so that the chain and the smallest sprocket are lined up vertically. Make sure that the tension in the chain is correct. Connect the wire again and tighten the wire at the anchor.
- 3 Move the chain to the largest sprocket, adjust the low limit screw so that the chain and the largest cog are lined up vertically.

Note: If you are unable to move the chain to the largest cog, turn the low limit screw counter-clockwise. This will let the chain to move towards the wheel.

- 4 Shift through the gears and make sure that the gears operate smoothly.

5.8 To clean the product

- Clean the product regularly.
- Clean with a mild detergent. Do not use degreasing products that can penetrate the bearings and chain and interfere with the lubrication.

5.9 To adjust the tension of the headset

Note! If there is a play on the handlebar stem or the handlebar stem is loose, the tension of the headset must be adjusted.

! Caution! Do not tighten too much, because it can cause damage to the bearing.

Figure 9

- 1 Loosen the steering clamp bolts (A) with a 5 mm hex key.
- 2 Turn the top cap bolt clockwise to tighten it. Do a function test to make sure that the head bearing set is correctly tightened.

Note! To do a check of the play, hold the front brake and move the handlebar on one direction and back again. The handlebar stem must not move.

- 3 Align the stem in line with the front wheel.
- 4 Tighten the steering clamp bolts.

6 Troubleshooting

Error	Cause	Action
Brakes does not function properly.	The handbrake lever is not properly adjusted.	Check the handbrake lever and adjust. Refer to “5.5 To adjust the brake lever” on page 13
	Brake wire is broken.	Check the brake wires, replace any broken wire. Let an approved service center do the check and replace the wire if necessary.
Squeaking bike	Moving parts are not properly lubricated.	Locate where the noise is coming from. Check all moving parts and pivot points on the product. Lubricate and/or replace worn parts.
Chain skips	Chain is too loose or worn out.	Check and adjust the chain or replace if necessary. Refer to “5.4 To adjust the chain” on page 12 .
	Wheels are not properly aligned.	Check the wheels and realign. Refer to “5.3 To do a check of tires and rims” on page 12 .
	The derailleur is not correctly adjusted.	Check the and adjust the gears if necessary. Refer to “5.7 To adjust the gears” on page 13 .
Hard to pedal	The brakes are rubbing.	Check the brakes, Refer to “5.6 To adjust the disc brake” on page 13 .
	The rims are damaged or deformed.	Check the front and the rear rims. Let an approved service center do the check and do the service. Repair or replace damaged rims.
	High gear is selected	Refer to “4.3 To shift gears” on page 11

7 Storage

Store the product in a dry area, protected from direct sunlight and wet conditions.

8 Disposal

Make sure that you follow local regulations when you discard the product. Do not burn the product.

9 Technical data

Parameters	Specification
Tyre size	29 x 2.10 (54-622)
Wheel size	29"
Frame size	48 cm
Weight	16.6 kg
Gear	Shimano Tourney
Number of gears	21
Frame material	Aluminium
Rim material	Aluminium
Suspension front	Yes
Suspension rear	No
Front brake	Disc brake
Rear brake (Hand brake)	Disc brake
Maximum load	110 kg

Innehållsförteckning




1 Inledning	15
1.1 Produktbeskrivning.....	15
1.2 Symboler.....	15
1.3 Produktöversikt.....	15
2 Säkerhet	16
2.1 Säkerhetsdefinitioner.....	16
2.2 Säkerhetsinstruktioner för användning....	16
3 Montering	16
3.1 Verktyg för montering och justering.....	16
3.2 Montera styret.....	16
3.3 Att installera sadelstången och sadel.....	16
3.4 Att montera framhjulet.....	16
3.5 Att montera pedalerna.....	17
3.6 Fram- och bakbroms.....	17
4 Användning	17
4.1 Att göra före användning.....	17
4.2 Att använda bromsarna.....	17
4.3 Att växla.....	17
5 Underhåll	18
5.1 Att justera sadeln.....	18
5.2 Att smörja kedjan.....	18
5.3 Att kontrollera däck och fälgar.....	18
5.4 Att justera kättingen.....	18
5.5 Att justera bromsspaken.....	18
5.6 Att justera skivbromsen.....	19
5.7 Att justera växllarna.....	19
5.8 Att rengöra produkten.....	19
5.9 För att justera styrlagrets spänning.....	19
6 Felsökning	20
7 Förvaring	20
8 Kassering	20
9 Tekniska data	20

1 Inledning

1.1 Produktbeskrivning

Produkten är en 29" mountainbike med 24 växlar.

1.2 Symboler

	Läs bruksanvisningen noggrant och se till att du förstår instruktionerna innan du börjar använda produkten. Spara bruksanvisningen för framtida bruk.
	Denna produkt uppfyller tillämpliga EU-direktiv och -förfordningar.
	Kasserad produkt måste återvinnas i enlighet med gällande förordningar.

1.3 Produktöversikt

(Bild 1)

1. Styre
2. Vänster broms
3. Vänster handbroms vajer
4. Styrklämma
5. Höger handbroms vajer
6. Höger handbroms
7. Höger växelskiftare
8. Styrstam
9. Vänster växelskiftare
10. Ram
11. Främre reflex (vit)
12. Framhjulet
13. Skivbroms
14. Fjädring fram
15. Kedjehjul
16. Vevarm
17. Pedal
18. Cykelstöd
19. Bakre växelförare
20. Skydd för bakre växelförare
21. Kassett (bakre växel)
22. Ekerreflex
23. Bakhjul
24. Bakre skivbroms
25. Bakreflex (röd)
26. Sadelstång
27. Sadel

2 Säkerhet

2.1 Säkerhetsdefinitioner

⚠ Varning! Om du inte följer dessa instruktioner finns det risk för personskador och dödsfall.

⚠ Försiktighet! Om du inte följer dessa instruktioner finns det risk att du skadar produkten, andra material eller det närliggande området.

Obs! Information som är nödvändig i en specifik situation.

2.2 Säkerhetsinstruktioner för användning

⚠ Varning! Om du inte följer dessa instruktioner finns det risk för skador och dödsfall.

- Instruktionerna beskriver hur du kör säkert och håller produkten i gott skick. Läs instruktionerna noggrant och följ dem.
- Produkten är ett fordon. Följ alltid lokala trafikföreskrifter.
- Låt inte en passagerare sitta på produkten.
- Använd alltid cykelhjälm.
- Om det är mörkt måste lampor fästas och användas på produkten. Bär ljusa kläder, om det är möjligt.

Obs! Fram- och baklampa medföljer inte produkten.

- Om det är vått minskar bromseffekten. Cykla långsammare och bromsa tidigare än vid torrt väder.
- Gör inga ändringar på produkten.
- Använd inte produkten på annat sätt än vad den är avsedd för.
- Använd inte produkten om du är trött, sjuk, eller är påverkad av alkohol, droger eller läkemedel. Detta har en negativ påverkan på din syn, uppmärksamhet, koordination och omdöme.
- Låt någon som inte känner till produkten använda produkten.
- Använd inte produkten om den är skadad.
- Häng inte något på styret som påverkar produktens styrning eller kan fastna i framhjulet.

3 Montering

3.1 Verktyg för montering och justering

- Kombinationsnycklar, storlek 13, 14, 15 mm
- Insexnycklar, storlek 5, 6 och 8 mm
- Skruvmejslar
- Fett

3.2 Montera styret

Figur 2

- 1 Lossa bultarna som håller den övre delen av styrets klämma (A) på styrstammen. Fäst styrstäng (B).

Obs! Se till att styret är rakt och att bromsvajrarna sitter på höger sida av framgaffeln. Om ledningarna inte är korrekt installerade, vrid ledningarna till rätt läge.

- 2 Justera vinkelhandtaget till rätt vinkel och dra åt bultarna i en diagonalt motsatt sekvens.
- 3 Se till att bultarna (C) på styrstammen är åtdragna.

3.3 Att installera sadelstängan och sadel

(Bild 3)

- 1 Sätt den övre delen av sadelstängan under sadeln (A). Se till att klämman sitter fast ordentligt och dra åt bultarna.
- 2 Fetta sadelstolpen.
- 3 Installera sadelstängan i sadelröret.

Obs! Se till att markeringen för minimihöjd på sadelstängan är under änden på sadelröret.

- 4 Lås sadelstängan i lämplig höjd, se till att snabbkopplingsspaken är låst (B).

3.4 Att montera framhjulet

Bild 4

Obs! För enklare åtkomst när du installerar däcken och pedalerna, vänd produkten med sadeln och styret ner på marken.

- 1 Installera framhjulet mellan gafflarna och den främre fjädringen. Se till att framhjulet är centrerat mellan gaffelbenen och fölgbromsarna.
- 2 För snabbkopplingsaxeln genom gafflarna och hjulet. Dra åt hjulaxeln, se till att snabbkopplingsspaken är korrekt låst. (Bild 4)

3.5 Att montera pedalerna

Obs! Installera den högra pedalen på höger sida av cykeln och den vänstra pedalen på vänster sida av cykeln. Om pedalerna inte är korrekt installerade kan det orsaka skador på gångorna på pedalerna.

3.5.1 Att montera rätt pedal

Bild 5

- 1 Vrid pedalen medurs på vevarens kedjesida. Se markeringen på pedalen, höger pedal är märkt med "R".
- 2 Dra åt bulten med en 15 mm haknyckel

3.5.2 Att montera vänster pedal

Bild 5

- 1 Vrid pedalen moturs, på motsatt sida. Se markeringen på pedalen, vänster pedal är märkt med "L".
- 2 Dra åt bulten med en 15 mm haknyckel

3.6 Fram- och bakbroms

⚠ Varning! Använd inte en produkt med bromsar som inte fungerar korrekt.

Produkten har skivbromsar fram och bak.

- Justera bromsspaken vid behov. Se "[5.5 Att justera bromsspaken](#)" på sida 18

Obs! Bromsspaken på vänster sida av styret går till frambromsen och bromsspaken på höger sida går till bakbromsen.

4 Användning

⚠ Varning! Använd byxband eller liknande utrustning för att minimera risken för att något fastnar i kedjan eller drivhjulen.

4.1 Att göra före användning

- Se till att höjden på sadeln och styret är korrekt justerade.
- Se till att produkten är monterad med bromsar och ringklocka.
- Se till att produkten har en framlampa med vitt ljus och en baklampa med rött ljus. Se till att lamporna kan tändas.
- Kontrollera att produktens reflexer är korrekt installerade, rena och inte skymda. Byt ut skadade reflexer.
- Lär dig hur du använder komponenterna och tillbehören på produkten på rätt sätt. Om du inte lär dig att använda bromsarna på produkten kan du bli allvarligt skadad.
- Se till att bromsarna stoppar hjulen när de ansätts.
- Se till att alla skruvar och komponenter är åtdragna och korrekt installerade.
- Se till att hjulen är korrekt installerade.
- Se till att fälgarna inte är skadade.
- Se till att däckerna inte är skadade och har rätt lufttryck. Se markeringen på däckerna.
- Se till att styrningen rör sig korrekt.

4.2 Att använda bromsarna

- Ansätt bakbromsen (höger bromsspak) innan du drar åt frambromsen.

⚠ Varning! Ansätt inte frambromsen när svänger eller på en hal yta.

4.3 Att växla

⚠ Försiktighet! Trampa inte bakåt när du växlar.

⚠ Försiktighet! Överbelasta inte växlarerna!

Obs! Vid växling: byt inte från det stora bakdrevet direkt till det stora framdrevet. Detta gör att kedjan är i en spetsig vinkel och gör det svårt att växla. Se guiden för rekommenderad växelkombination.

- Använd vänster växel för att växla från kedjeringarna till kedjesatsen.
- Använd höger växel för att växla mellan de olika drivhjulen på kassetten.
- Växla till en lägre växel innan det blir nödvändigt. Du måste trampa framåt när du växlar.

- För att växla till en lägre växel måste du stoppa produkten. Detta gör det enklare att starta cykeln.

4.3.1 Låg växel

Den lägsta växeln är den minsta kedjeringen fram och den största kuggen på kassetten. I denna position är det som lättast att trampa, vilket gör växeln lämplig för cykling i uppförbacke.

4.3.2 Hög växel

Den högsta växeln är den minsta kedjeringen fram och den minsta kuggen på kassetten. I denna position är det som trögast att trampa, vilket gör växeln lämplig för cykling i nedförbacke.

5 Underhåll

Obs! Underhållsfrekvensen bör öka när produkten används oftare eller när produkten används i våta eller dammiga förhållanden.

För att se till att produkten är säker att använda, använd endast originalreservdelar när du byter ut delar som är tillämpliga för säkerhets skull.

- Låt ett godkänt servicecenter utföra service på produkten åtminstone var 6:e månad.
- Se till att alla skruvar är korrekt åtdragna och att ledningarna är korrekt installerade på ramen och inte skadade efter att justeringar har gjorts.

5.1 Att justera sadeln

Obs! Ståhöjd är avståndet från marken till cykelramens högsta punkt när man står över cykeln.

- 1 Stå över produkten och mät minimiavståndet standardavståndet från den övre delen av ramen till grenen. Standardavståndet är 7,5 cm om produkten körs på asfalterad mark. Vid cykling offroad ska ståhöjden vara minst 10 cm och max 15 max.
- 2 Öppna snabbkopplingspaken och justera sadelns höjd till lämpligt läge. Flytta sadeln med små justeringar för att hitta rätt position.
- 3 Justera vinkeln på sadeln vid behov. Lossa bulten som fäster sadeln (B), justera vinkeln på sadeln och dra åt skruven.

5.2 Att smörja kedjan

⚠ Försiktighet! Smörj inte för mycket, ta bort överflödigt smörjmedel för att förhindra att smuts ansamlas

Kedjan ska smörjas med jämna mellanrum. Om kedjan är torr kan den rosta och skadas.

- 1 Smörj kedjan med lämplig kedjeolja.
- 2 Snurra pedalen några varv för att låta oljan gå in i länken.
- 3 Torka av kedjan med en trasa.

5.3 Att kontrollera däck och fälgar

- Undersök regelbundet ekrarna och kontrollera att hjulen inte är böjda eller deformerade.
- Kontrollera regelbundet att däcken inte är skadade.
- Låt inte däckets komma i kontakt med olja, bensin, paraffin eller medel som kan skada gummit.
- Se till att däcken är centrerade mellan gafflarna. Kontrollera avståndet mellan däckets och ramen på båda sidor. Om det är ojämnt, lossa hjulaxelns muttrar och centrera hjulet.
- Kontrollera däcktrycket med jämna mellanrum. Se sidan av däckets för rätt däcktryck. Om däcktrycket anges inom ett intervall, använd alltid det lägre värdet.

5.4 Att justera kättingen

Obs! Om kedjan kan flyttas mer än 1 cm upp eller ner måste den spännas. Kedjan får inte vara överspänd, se till att du kan flytta den upp och ner.

- 1 Lossa navaxeln på bakhjulet.
- 2 Dra bakhjulet bakåt för att sträcka kedjan.
- 3 Se till att bakhjulet är rakt. Dra åt muttrarna på bakaxeln helt.
- 4 Se till att kedjan har rätt spänning och att hjulen är korrekt installerade.

5.5 Att justera bromsspaken

(Bild 6)

Bromsen får inte skava mot fälgen när bromsspaken inte är intryckt. Handtaget får inte skjutas helt till styret. Bromsen ska ansättas med full kraft när bromshandtaget trycks in halvvägs (A).

- 1 Vrid justerhylsan (B) i bromsspaken för att öka eller minska bromsspakens rörelse.
- 2 Om större justering behövs, lossa vajerlåset på bromsarmen. Flytta vajern till önskat läge och dra åt vajerlåset helt.
- 3 Kontakta ditt servicecenter för att byta ut bromsvajrarna.

5.6 Att justera skivbromsen

Bild 7

- Om bromskabeln är bortkopplad från skivbromsoket, lossa bulten i växeljusteraren.
- Dra vajern genom hålet i växeljusteraren och dra åt bulten.
- Vid behov byt ut bromsbeläggen inuti bromsoket. Kontakta ett servicecenter.

5.6.1 Att centrera skivbromsen

Bild 7

- Om bromsen inte är centrerad, ta reda på vilken sida som behöver justeras och justera skivbromsokets skruvar (A) och (B). Gör små justeringar, snurra hjulet och lyssna efter gnidningsljud eller friktion.

5.7 Att justera växlar

Figur 8

- A. **B-spänningsskruv:** Att justera vinkeln på växelföraren i förhållande till kassetten.
- B. **Övre gränsskruv:** Vrid medurs för att justera växeln inåt, vrid moturs för att justera växeln uppåt.
- C. **Lägre gränsskruv:** Att justera gränsen när växelföraren ska växla till nästa växel.
- D. **Växeljusterare:** Att finjustera vajern.
- E. **Skruv för justering av vajerspänning:** Håller vajern vid ankaret.

- 1 Flytta bakväxeln till det största antalet, koppla loss bakväxelns kabel från växelförarens bulten och placera kedjan på det minsta drevet.
- 2 Justera den övre gränsskruven så att kedjan och det minsta drevet ligger i linje vertikalt. Se till att kedjespänningen är korrekt. Anslut vajern igen och dra åt vajern vid ankaret.

- 3 Flytta kedjan till det största drevet, justera den nedre gränsskruven så att kedjan och den största kuggen ligger i linje vertikalt.

Obs: Om du inte kan flytta kedjan till den största kuggen, vrid den nedre gränsskruven moturs. Detta gör att kedjan rör sig mot hjulet.

- 4 Prova alla växlar och se till att de fungerar smidigt.

5.8 Att rengöra produkten

- Rengör produkten regelbundet.
- Rengör med ett mildt rengöringsmedel. Använd inte avfettningsprodukter som kan tränga in i lagren eller kedjan och störa smörjningen.

5.9 För att justera styrlagrets spänning

Obs! Om det finns ett glapp på styrstammen eller om styrstammen är lös måste spänningen på styrlagret justeras.

⚠ Försiktighet! Dra inte åt för hårt, eftersom det kan skada lagret.

Bild 9

- 1 Lossa styrklämsbultar (A) med en 5 mm insexnyckel.
- 2 Vrid topplocksbulten medurs för att dra åt den. Gör ett funktionstest för att säkerställa att styrlagret är korrekt åtdragen.

Obs! För att kontrollera glappet, håll frambromsen och rör styret fram och tillbaka. Styrstammen får inte röra sig.

- 3 Rikta in styrstammen i linje med framhjulet.
- 4 Dra åt styrklämsbultar.

6 Felsökning

Fel	Orsak	Åtgärd
Bromsarna fungerar inte som de ska.	Bromsspaken är inte korrekt justerad.	Kontrollera handbromsspaken och justera. Se " 5.5 Att justera bromsspaken " på sida 18
	Bromsvajern är trasig.	Kontrollera bromsvajrarna, byt ut eventuell trasig vajer. Låt ett godkänt servicecenter göra kontrollen och byt ut kabeln vid behov.
Gnisslande cykel	Rörliga delar är inte ordentligt smorda.	Hitta var ljudet kommer ifrån. Kontrollera alla rörliga delar och svängpunkter på produkten. Smörj och/eller byt ut slitna delar.
Kedjan hoppar	Kedjan är för lös eller sliten.	Kontrollera och justera kedjan eller byt ut vid behov. Se " 5.4 Att justera kättingen " på sida 18.
	Hjulen är inte korrekt inriktade.	Kontrollera hjulen och rikta om dem. Se " 5.3 Att kontrollera däck och fälgar " på sida 18.
	Växelföraren är inte korrekt justerad.	Kontrollera och justera växeln vid behov. Se " 5.7 Att justera växlarna " på sida 19.
Svårt att trampa	Bromsarna skaver.	Kontrollera bromsarna, se " 5.6 Att justera skivbromsen " på sida 19.
	Fälgarna är skadade eller deformerade.	Kontrollera fram- och bakfälgarna. Låt ett godkänt servicecenter göra kontrollen och göra servicen. Reparera eller byt ut skadade fälgar.
	En hög växel är vald	Se " 4.3 Att växla " på sida 17

7 Förvaring

Förvara produkten på en torr plats som är skyddad från direkt solljus och väta.

8 Kassering

Se till att du följer lokala bestämmelser när du kasserar produkten. Bränn inte produkten.

9 Tekniska data

Parametrar	Specifikation
Däckstorlek	29 x 2,10 (54-622)
Hjulstorlek	29"
Ramstorlek	48 cm
Vikt	16,6 kg
Växel	Shimano Tourney
Antal växlar	21
Rammaterial	Aluminium
Fälgmaterial	Aluminium
Fjädring fram	Ja
Fjädring bak	Nej
Frambroms	Skivbroms
Bakbroms (Handbroms)	Skivbroms
Max. belastning	110 kg

Innholdsfortegnelse




1 Innledning	21
1.1 Produktbeskrivelse	21
1.2 Symboler	21
1.3 Produktoversikt.....	21
2 Sikkerhet	22
2.1 Sikkerhetsdefinisjoner	22
2.2 Sikkerhetsinstruksjoner for drift	22
3 Montering	22
3.1 Verktøy for montering og justering.....	22
3.2 Montering av håndtaket	22
3.3 Slik monterer du setestolpe og sete.....	22
3.4 Slik monterer du forhjulet	22
3.5 Slik monterer du pedalene.....	23
3.6 Brems foran og bak.....	23
4 Drift	23
4.1 Dette må gjøres før bruk.....	23
4.2 Slik bruker du bremsene	23
4.3 Slik skifter du gir.....	23
5 Vedlikehold	24
5.1 Slik justerer du salen	24
5.2 Slik smører du kjedet	24
5.3 For å kontrollere dekk og felger.....	24
5.4 Justere kjedet	24
5.5 Slik justerer du bremsespaken.....	24
5.6 Slik justerer du skivebremsen.....	25
5.7 Justere girene	25
5.8 Rengjøre produktet	25
6 Feilsøking	26
7 Oppbevaring	26
8 Avhending	26
9 Tekniske data	26

1 Innledning

1.1 Produktbeskrivelse

Produktet er en 29" terrengsykkel med 24 gir.

1.2 Symboler

	Les bruksanvisningen nøye og sørg for at du forstår instruksjonene før du bruker produktet. Lagre instruksjonene for fremtidig bruk.
	Dette produktet er i samsvar med gjeldende EU-direktiver og -forordninger.
	Utrangert produkt må gjenvinnes i henhold til gjeldende lover og regler.

1.3 Produktoversikt

(Figur 1)

1. Styrestamme
2. Venstre håndbrems
3. Venstre håndbremsvaier
4. Styreklemme
5. Høyre håndbremsvaier
6. Høyre håndbrems
7. Høyre girskifter
8. Styrestamme
9. Venstre girskifter
10. Ramme
11. Reflektor foran (hvit)
12. Forhjul
13. Skivebrems
14. Fjæring foran
15. Kjedefjul
16. Veivarm
17. Pedal
18. Sykkelstativ
19. Bakre kjedegir
20. Skjerm for bakre kjedegir
21. Kassett (bakgir)
22. Reflektor for eiker
23. Bakhjul
24. Skivebrems bak
25. Reflektor bak (rød)
26. Setestolpe
27. Sete

2 Sikkerhet

2.1 Sikkerhetsdefinisjoner

⚠ Advarsel! Hvis du ikke følger disse instruksjonene er det fare for død eller personskade.

⚠ OBS! Om du ikke følger disse instruksjonene er det en fare for skade på produktet, på andre materialer eller på området rundt.

Merk! Informasjon som er nødvendig i en gitt situasjon.

2.2 Sikkerhetsinstruksjoner for drift

⚠ Advarsel! Hvis du ikke følger disse instruksjonene er det fare for død eller skade.

- Instruksjonene beskriver hvordan du kjører trygt og holder produktet i god stand. Les instruksjonene nøye og følg dem.
- Produktet er et kjøretøy. Følg alltid de lokale trafikkreglene.
- Ikke la en passasjer sitte på produktet.
- Bruk alltid sykkelhjelm.
- Hvis det er mørkt, må lampene festes og brukes på produktet. Bruk lyse klær hvis det er mulig.

Merk! Front- og baklys følger ikke med produktet.

- Hvis det er vått, reduseres bremskraften. Sykle saktere og brems tidligere enn i tørt vær.
- Produktet må ikke modifiseres.
- Bruk ikke produktet til noe annet enn det det er beregnet på.
- Bruk ikke produktet hvis du er trøtt, syk eller påvirket av alkohol, narkotika eller medisiner. Dette har en negativ effekt på synet, årvåkenheten, koordinasjonen og dømmekraften.
- Ikke la noen som ikke er kjent med produktet bruke det.
- Ikke bruk produktet hvis det er skadet.
- Ikke heng noe på styret som kan påvirke styringen av produktet eller sette seg fast i forhjulet.

3 Montering

3.1 Verktøy for montering og justering

- Kombinasjonsnøkler, størrelse 13, 14, 15 mm
- Sekskantnøkler, størrelse 5, 6 og 8 mm
- Skrutrekker
- Smørefett

3.2 Montering av håndtaket

Figur 2

- 1 Løsne boltene som holder den øvre delen av styreklemmen (A) på styrestammen. Fest styret (B).

Merk! Sørg for at styret er rett og at bremsevaieren sitter på høyre side av forgaffelen. Hvis ledningene ikke er riktig montert, må du dreie ledningene til riktig posisjon.

- 2 Juster vinkelstyret til gjeldende vinkel og stram boltene i kryssende rekkefølge.
- 3 Forsikre deg om at boltene (C) på styrestammen er strammet.

3.3 Slik monterer du setestolpe og sete

Figur 3

- 1 Sett den øvre delen av setestolpen under setet (A). Forsikre deg om at klemmen er riktig festet og stram boltene.
- 2 Smør setestolpen med fett.
- 3 Monter setepinnen i seterøret.

Merk! Sørg for at markeringen for minimumshøyden på setestolpen er under kanten av seterøret.

- 4 Lås setepinnen til riktig høyde, og kontroller at hurtigkoblingsspaken er låst (B).

3.4 Slik monterer du forhjulet

Figur 4

Merk! For enklere tilgang når du monterer dekk og pedal, snur du produktet med setet og styret ned på bakken.

- 1 Monter forhjulet mellom gafflene på den fremre fjæringen. Sørg for at forhjulet er sentrert mellom gaffelbeina og felgbremsene.
- 2 Sett hurtigutløserakselen gjennom gafflene og hjulet. Stram til hjulakselen, og kontroller at hurtigkoblingsspaken er riktig låst. (Figur 4)

3.5 Slik monterer du pedalene

Merk! Monter høyre pedal på høyre side av sykkelen og venstre pedal på venstre side av sykkelen. Hvis pedalene ikke monteres riktig, kan det føre til skader på gjengene på pedalene.

3.5.1 For å montere riktig pedal

Figur 5

- 1 Vri pedalen med klokken på kjedesiden av veivarmen. Se merkingen på pedalen, høyre pedal er merket med "R".
- 2 Trekk til bolten med en 15 mm fastnøkkel.

3.5.2 For å montere venstre pedal

Figur 5

- 1 Vri pedalen mot klokken på motsatt side. Se merkingen på pedalen, venstre pedal er merket med "L".
- 2 Trekk til bolten med en 15 mm fastnøkkel.

3.6 Brems foran og bak

⚠ Advarsel! Ikke bruk et produkt med bremsere som ikke fungerer som de skal.

Produktet har skivebrems foran og bak.

- Juster bremsespaken om nødvendig. Se "[5.5 Slik justerer du bremsespaken](#)" på side 24

Merk! Bremsehendelen på venstre side av styret gjelder for forhjulsbremsen og bremsehendelen på høyre side gjelder for bakhjulsbremsen.

4 Drift

⚠ Advarsel! Bruk en benstropp eller lignende for å minimere risikoen for å sette seg fast i kjedet eller tannhjulene.

4.1 Dette må gjøres før bruk

- Kontroller at høyden på salen og styret er riktig justert.
- Sørg for at produktet er montert med bremsere og varslingsklokke.
- Kontroller at produktet har en frontlykt med hvitt lys og en baklykt med rødt lys. Forsikre deg om at lampene kan tennes.
- Kontroller at refleksene på produktet er riktig montert, rene og ikke tildekket. Skift ut skadede reflekser.
- Lær hvordan du bruker komponentene og tilbehøret på produktet på riktig måte. Hvis du ikke lærer deg å bruke bremsene på produktet, kan du bli alvorlig skadet.
- Kontroller at bremsene stopper hjulene når de aktiveres.
- Sørg for at alle skruer og komponenter er strammet til og korrekt montert.
- Kontroller at hjulene er riktig montert.
- Kontroller at felgene ikke er skadet.
- Kontroller at dekkene ikke er skadet og har riktig lufttrykk. Se merkingen på dekkene.
- Kontroller at styringen beveger seg riktig.

4.2 Slik bruker du bremsene

- Bruk bakbremsen (høyre bremsespak) før du bruker forbremsen.

⚠ Advarsel! Bruk ikke forbremsen når du snur produktet eller på glatt underlag.

4.3 Slik skifter du gir

⚠ Forsiktig! Ikke trå bakover når du skifter gir.

⚠ OBS! Ikke bruk makt på girene!

Merk! Når du skifter gir: Ikke skift fra det store bakre tannhjul direkte til det store fremre tannhjul. Dette fører til at kjedet får en spiss vinkel og gjør det vanskelig å skifte gir. Se veiledningen for anbefalt girkombinasjon.

- Bruk venstre girskift til å bytte mellom kjederingene på kjedesettet.
- Bruk høyre girskift for å bytte mellom de ulike tannhjulene på kassetten.

- Skift til et lavere gir før det blir nødvendig. Du må kunne trække fremover når du skifter gir.
- Skift til et lavere gir før du stopper produktet. Det gjør det lettere å starte sykkelen.

4.3.1 Lavt gir

Det laveste giret på sykkelen er den minste kjederingen foran og det største tannhullet på kassetten. Tråkkingen vil være enklest, det laveste giret er egnet for sykling i oppoverbakke.

4.3.2 Høyt gir

Det høyeste giret på sykkelen er den minste kjederingen foran og den minste tannhullet på kassetten. I denne posisjonen er tråkkingen tyngst, dette giret er egnet for å sykle i nedoverbakke.

5 Vedlikehold

Merk! Vedlikeholdshyppigheten bør økes når produktet brukes oftere eller når produktet brukes under våte eller støvete forhold.

Forsikre deg om at produktet er trygt å bruke, og bruk kun originale reservedeler når du bytter ut deler som er relevante for sikkerheten.

- La et godkjent servicesenter utføre service på produktet hver 6. måned.
- Forsikre deg om at alle skruene er riktig strammet, og at ledningene er riktig montert på rammen og ikke er skadet etter at justeringene er utført.

5.1 Slik justerer du salen

Merk! Stå over-høyde er avstanden fra bakken til toppen av sykkelrammen når du står over den.

- 1 Stå over produktet og mål minimum standard klaring fra den øvre delen av rammen til skrittet. Standard klaring er 7,5 cm hvis produktet kjøres på asfaltert grunn. Når du kjører produktet i terreng, bør stå over-klaringen være 10 cm og maksimalt 15 cm.
- 2 Åpne hurtigkoblingsspaken og juster sadelhøyden til ønsket posisjon. Flytt salen med små justeringer for å finne riktig posisjon.
- 3 Juster setevinkelen hvis det er nødvendig. Løsne bolten som holder setet og juster setevinkelen.

5.2 Slik smører du kjedet

⚠ OBS! Ikke smør for mye, fjern overflødig smøremiddel for å unngå at det bygger seg opp smuss.

Kjedet bør smøres med jevne mellomrom. Hvis kjedet er tørt, kan det ruste og bli skadet.

- 1 Smør kjedet med egnet kjedeolje.
- 2 Flytt pedalen noen omdreininger for å la oljen gå inn i leddene.
- 3 Tørk av kjedet med en klut.

5.3 For å kontrollere dekk og felger

- Undersøk jevnlig eikene og at hjulene ikke er bøyd eller deformerte.
- Kontroller regelmessig at dekkene ikke er skadet.
- Dekket må ikke komme i kontakt med olje, bensin, parafin eller andre stoffer som kan skade gummiene.
- Kontroller at dekkene er sentrert mellom gaflene. Sjekk mellomrommet mellom dekket og rammen på hver side. Hvis det ikke er jevnt, løsne hjulakselmutterne og sentrer hjulet.
- Kontroller lufttrykket i dekkene med jevne mellomrom. Se på siden av dekket for å finne riktig lufttrykk. Hvis dekkets lufttrykk oppgis i et intervall, skal du alltid bruke den laveste verdien.

5.4 Justere kjedet

Merk! Hvis kjedet kan beveges mer enn 1 cm opp eller ned, må det strammes. Kjedet må ikke være overspent, sørg for at du kan bevege det opp og ned.

- 1 Løsne navakselen på bakhjulet.
- 2 Trekk bakhjulet bakover for å strekke kjedet.
- 3 Kontroller at bakhjulet er rett. Trekk til mutterne på bakakselen helt.
- 4 Kontroller at kjedet har riktig spenning og at hjulene er riktig montert.

5.5 Slik justerer du bremsespaken

Figur 6

Bremsen må ikke skure mot felgen når bremsespaken ikke er trykket inn. Håndtaket må ikke skyves helt inn til styret. Bremsen skal ha full effekt når bremsespaken trykkes halvveis inn (A).

- 1 Vri på justeringshylsen (B) i bremsespaken for å øke eller redusere bevegelsen til bremsespaken.
- 2 Hvis det er behov for større justering, løsner du vaierlåsen på bremsearmen. Flytt vaieren til ønsket posisjon og stram vaierlåsen helt til.
- 3 Ta kontakt med et servicesenter for å bytte ut bremsevaierne.

5.6 Slik justerer du skivebremsen

Figur 7

- Hvis kabelen er koblet fra skivekaliperen, løsne boltene i justeringssylinderen.
- Sett ledningen gjennom hullet i justeringssylinderen og stram boltene.
- Skift ut bremseklossene i kaliperen ved behov. Kontakt et servicesenter.

5.6.1 Slik sentrerer du skivebremsen

Figur 7

- Hvis bremsen ikke er sentrert, finn hvilken side som må justeres og juster skivebremsekaliperskruene (A) og (B). Gjør små justeringer, snurr hjulet og lytt etter gnissing eller friksjon.

5.7 Justere girene

Figur 8

- A. **B-spenningsskrue:** For å justere vinkelen på girflytteren i forhold til kassetten.
- B. **Skrue for øvre grense:** Vri med klokken for å justere girflytteren innover, vri mot klokken for å justere girflytteren oppover.
- C. **Skrue for nedre grense:** For å justere grensen når girflytteren skal skifte til neste gir.
- D. **Sylinderjustering:** For å finjustere vaieren.
- E. **Justeringskrue for vaierpenning:** Holder vaieren ved festet.

- 1 Flytt bakgiret til det største antallet, koble den bakre girflytterkabelen fra kabelankerboltene og plasser kjedet på det minste tannhjul.
- 2 Juster den øvre begrensningsskruen slik at kjedet og det minste tannhjul er innrettet. Forsikre deg om at spenningen i kjeden er riktig. Koble vaieren på igjen og stram vaieren ved festet.

- 3 Flytt kjedet til det største tannhjul, juster den nedre begrensningsskruen slik at kjedet og det største tannhjul er innrettet.

Merk: Hvis du ikke kan flytte kjedet til det største tannhjul, vri den nedre begrensningsskruen mot klokken. Dette vil la kjedet bevege seg mot hjulet.

- 4 Skift gjennom girene og sørg for at girene fungerer jevnt.

5.8 Rengjøre produktet

- Rengjør produktet regelmessig.
- Rengjør med et mildt rengjøringsmiddel. Ikke bruk avfettingsprodukter som kan trenge inn i lagrene og kjedet og forstyrre smøringen.

5.9 Slik justerer du styrepenning

Merk! Hvis det er en glippe på rattstammen, eller hvis rattstammen er løs, må spenningen på styrelageret justeres.

⚠ Forsiktig! Ikke stram for hardt, da dette kan skade lageret.

Figur 9

- 1 Løsne boltene til føringsklemmen (A) med en 5 mm unbrakonøkkel.
- 2 Vri topplokkboltene med klokken for å stramme den. Utfør en funksjonstest for å sikre at styrelageret er riktig strammet.

Merk! For å kontrollere glippen holder du inne forbremsen og beveger styret frem og tilbake. Rattstammen må ikke bevege seg.

- 3 Rett inn rattstammen med forhjulet.
- 4 Trekk til styreklemmeboltene.

6 Feilsøking

Feil	Årsak	Handling
Bremsene fungerer ikke som de skal.	Håndbremsespaken er ikke riktig justert.	Kontroller og juster håndbremsespaken. Se " 5.5 Slik justerer du bremsespaken " på side 24
	Bremsevaieren er ødelagt.	Kontroller bremsevaierne, og skift ut eventuelle ødelagte vaiere. La et godkjent servicesenter utføre kontrollen og bytte ut vaieren om nødvendig.
Knirkende sykkel	Bevegelige deler er ikke smurt på riktig måte.	Finn ut hvor støyen kommer fra. Kontroller alle bevegelige deler og dreiepunkter på produktet. Smør og/eller skift ut slitte deler.
Kjedehoppere	Kjedet er for løst eller utslitt.	Kontroller og juster kjedet, eller skift det ut om nødvendig. Se " 5.4 Justere kjedet " på side 24.
	Hjulene er ikke riktig justert.	Kontroller hjulene og juster dem på nytt. Se " 5.3 For å kontrollere dekk og felger " på side 24.
	Girflytteren er ikke riktig justert.	Kontroller og juster girene om nødvendig. Se " 5.7 Justere girene " på side 25.
Vanskelig å trække	Bremsene gnisser.	Kontroller bremsene, se " 5.6 Slik justerer du skivebremsen " på side 25.
	Felgene er skadet eller deformert.	Kontroller de fremre og bakre felgene. La et godkjent servicesenter utføre kontrollen og servicen. Reparer eller bytt ut ødelagte felger.
	Høyt gir er valgt	Se " 4.3 Slik skifter du gir " på side 23

7 Oppbevaring

Oppbevar produktet på et tørt sted, beskyttet mot direkte sollys og våte forhold.

8 Avhending

Følg lokale forskrifter når du kaster produktet. Produktet må ikke brennes.

9 Tekniske data

Parametre	Spesifikasjoner
Dekkestørrelse	29 x 2,10 (54-622)
Hjulstørrelse	29"
Størrelse på ramme	48 cm
Vekt	16,6 kg
Gir	Shimano Tourney
Antall gir	21
Rammemateriale	Aluminium
Felgmateriale	Aluminium
Fjæring foran	Ja
Fjæring bak	Nei
Frontbrems	Skivebrems
Bakbrems (håndbrems)	Skivebrems
Maksimal belastning	110 kg

Indholdsfortegnelse



1	Indledning	27
1.1	Produktbeskrivelse	27
1.2	Symboler	27
1.3	Produktoversigt.....	27
2	Sikkerhed	28
2.1	Sikkerhedsdefinitioner.....	28
2.2	Sikkerhedsanvisninger for brug.....	28
3	Samlevejledning	28
3.1	Værktøj til montering og justering	28
3.2	Sådan samles styret.....	28
3.3	Sådan monteres sadelpinden og sadlen	28
3.4	Sådan samles forhjulet.....	28
3.5	Sådan samles pedalerne.....	29
3.6	For- og bagbremse	29
4	Brug	29
4.1	Gør følgende før brug.....	29
4.2	Sådan bruger du bremserne	29
4.3	Sådan skifter du gear	29
5	Vedligeholdelse	30
5.1	Sådan justeres sadlen.....	30
5.2	Sådan smører du kæden.....	30
5.3	Sådan kontrolleres dæk og fælge.....	30
5.4	Sådan justeres kæden.....	30
5.5	Sådan indstilles bremsegrebet	31
5.6	Sådan justeres skivebremsen	31
5.7	Sådan justerer du gearene	31
5.8	Sådan rengøres produktet	31
5.9	Sådan justeres headsettets spænding	31
6	Fejlfinding	32
7	Opbevaring	32
8	Bortskaffelse	32
9	Tekniske data	32

1 Indledning

1.1 Produktbeskrivelse

Produktet er en 29" mountainbike med 24 gear.

1.2 Symboler

	Læs betjeningsvejledningen omhyggeligt, og vær sikker på, du forstår den, før du tager produktet i brug. Gem betjeningsvejledningen til senere brug.
	Produktet overholder gældende EU-direktiver og -forordninger.
	Produktet skal bortskaffes i henhold til gældende regler.

1.3 Produktoversigt

(Figur 1)

1. Styr
2. Venstre håndbremse
3. Venstre håndbremsekabel
4. Klemme til styret
5. Højre håndbremsekabel
6. Højre håndbremse
7. Højre gearskifter
8. Styrstamme
9. Venstre gearskifter
10. Stel
11. Refleks foran (hvid)
12. Forhjul
13. Skivebremse
14. Forreste affjedring
15. Kædehjul
16. Pedalarm
17. Pedal
18. Støttefod
19. Bagskifter
20. Afskærmning til bagskifteren
21. Kassette (bageste gear)
22. Egerreflekser
23. Baghjul
24. Skivebremse bagpå
25. Refleks bagpå (rød)
26. Sadelpind
27. Sadel

2 Sikkerhed

2.1 Sikkerhedsdefinitioner

⚠ Advarsel! Manglende overholdelse af disse anvisninger kan medføre død eller personskaade.

⚠ Forsigtig! Manglende overholdelse af disse anvisninger kan medføre skader på produktet, andre materialer eller det omgivende område.

Bemærk! Information der er nødvendig i bestemte situationer.

2.2 Sikkerhedsanvisninger for brug

⚠ Advarsel! Manglende overholdelse af disse anvisninger kan medføre død eller personskaade.

- Anvisningerne beskriver, hvordan man kører sikkert og holder produktet i god stand. Læs anvisningerne omhyggeligt, og følg dem.
- Produktet er et køretøj. Følg altid de lokale færdselsregler.
- Lad ikke andre sidde med på cyklen.
- Brug altid cykelhjelm.
- Hvis det er mørkt, skal der monteres og bruges lygter på produktet. Tag lyst tøj på, hvis det er muligt.

Bemærk! For- og baglygter følger ikke med produktet.

- Hvis det er vådt, reduceres bremskraften. Sørg for at cykle langsommere, og træd på bremsen tidligere end i tørt vejr.
- Undlad at foretage ændringer på produktet.
- Brug ikke produktet til andet end det, det er beregnet til.
- Brug ikke produktet, hvis du er træt, syg eller påvirket af alkohol, stoffer eller medicin. Dette har en negativ effekt på dit syn og din opmærksomhed, koordination og dømmekraft.
- Lad ikke børn eller personer, som ikke er fortrolige med produktet, benytte det.
- Brug ikke produktet, hvis det er beskadiget.
- Hæng ikke noget på styret, som kan påvirke styringen af produktet eller blive viklet ind i forhjulet.

3 Samlevejledning

3.1 Værktøj til montering og justering

- Kombinationsnøgler, størrelse 13, 14, 15 mm.
- Unbrakonøgler, størrelse 5, 6 og 8 mm.
- Skruetrækkere.
- Fedt.

3.2 Sådan samles styret

Figur 2

- 1 Løsn de bolte, der holder den øverste del af klemmen til styret (A) på styrstammen. Sæt håndtaget på (B).

Bemærk! Sørg for, at styret er lige, og at bremskablerne sidder på højre side af forgaflen. Hvis kablerne ikke er installeret korrekt, skal du dreje kablerne til den korrekte position.

- 2 Juster styret i den relevante vinkel, og spænd boltene i krydsende rækkefølge.
- 3 Sørg for, at boltene (C) på styrstammen er spændt.

3.3 Sådan monteres sadelpinden og sadlen

Figur 3

- 1 Isæt den øverste del af sadelpinden under sadlen (A). Sørg for, at klemmen sidder ordentligt fast, og spænd boltene.
- 2 Smør fedt på sadelpinden.
- 3 Monter sadelpinden i sadelrøret.

Bemærk! Sørg for, at markeringen for minimumshøjden på sadelpinden er under kanten af sadelrøret.

- 4 Lås sadelpinden i den relevante højde, og sørg for, at hurtigudløseren er låst (B).

3.4 Sådan samles forhjulet

Figur 4

Bemærk! For at få lettere adgang, når du monterer dæk og pedal, skal du vende produktet, så sadlen og styret hviler på jorden.

- 1 Monter forhjulet mellem forgaflerne på affjedringen foran. Sørg for, at forhjulet er centreret mellem gaffelbenene og fælgbremserne.

- 2 Sæt hurtigudløserens skaft gennem gaflerne og hjulet. Spænd hjulakslen, og sørg for, at hurtigudløseren er låst korrekt. (Figur 4)

3.5 Sådan samles pedalerne

Bemærk! Monter den højre pedal på højre side af cyklen og den venstre pedal på venstre side af cyklen. Hvis pedalerne ikke monteres korrekt, kan det beskadige gevindene på pedalerne.

3.5.1 Sådan monteres den højre pedal

Figur 5

- 1 Drej pedalen med uret på pedalarmens kædeside. Se markeringen på pedalen, den højre pedal er markeret med "R".

- 2 Spænd boltene med en 15 mm ringgaffelnøgle.

3.5.2 Sådan monteres den venstre pedal

Figur 5

- 1 Drej pedalen mod uret på den modsatte side. Se markeringen på pedalen, den venstre pedal er markeret med "L".

- 2 Spænd boltene med en 15 mm ringgaffelnøgle.

3.6 For- og bagbremse

⚠ Advarsel! Brug ikke et produkt med bremsere, der ikke virker korrekt.

Produktet har skivebremsere foran og bagpå.

- Juster bremsegrebet, hvis det er nødvendigt. Se "[5.5 Sådan indstilles bremsegrebet](#)" på side 31

Bemærk! Bremsegrebet på venstre side af styret bruges til forbremsen, og bremsegrebet på højre side bruges til bagbremsen.

4 Brug

⚠ Advarsel! Brug en bukseklemme eller lignende udstyr for at minimere risikoen for, at bukserne kommer i klemme i kæden eller tandhjulene.

4.1 Gør følgende før brug

- Sørg for, at sadlen og styret er korrekt indstillet i højden.
- Sørg for, at produktet er monteret med bremsere og en ringklokke.

- Sørg for, at produktet har en forlygte med hvidt lys og en baglygte med rødt lys. Sørg for, at lygterne kan tændes.
- Kontroller, at produktets reflekser er korrekt monteret og rene, og at de ikke tildækkede. Udskift beskadigede reflekser.
- Lær, hvordan du bruger komponenterne og udstyret på produktet korrekt. Hvis du ikke lærer at bruge bremserne på produktet, kan du komme alvorligt til skade.
- Kontroller, at bremserne stopper hjulene, når de aktiveres.
- Sørg for, at alle skrue og komponenter er spændt og korrekt monteret.
- Sørg for, at hjulene er monteret korrekt.
- Efterse, at fælgene ikke er beskadigede.
- Sørg for, at dækkene ikke er beskadigede, og at de har det korrekte lufttryk. Se markeringen på dækkene.
- Kontroller, at styret bevæger sig korrekt.

4.2 Sådan bruger du bremserne

- Brug bagbremsen (højre bremsegreb), før du bruger forbremsen.

⚠ Advarsel! Brug ikke forbremsen, når du drejer med cyklen, eller når du kører på glat underlag.

4.3 Sådan skifter du gear

⚠ Forsigtig! Træd ikke baglæns i pedalerne, når du skifter gear.

⚠ Forsigtig! Undgå at overbelaste gearene.

Bemærk! Når du skifter gear: Skift ikke fra det store bagerste tandhjul direkte til det store forreste kædehjul. Det får kæden til at stå i en spids vinkel og gør det svært at skifte gear. Se vejledningen for anbefalet gearkombination.

- Brug det venstre gearskifte til at skifte mellem kæderingene på kædesættet.
- Brug det højre gearskifte til at skifte mellem de forskellige tandhjul på kassetten.
- Skift til et lavere gear, før det bliver nødvendigt. Du skal kunne træde i pedalerne, når du skifter gear.
- Skift til et lavere gear, før du stopper cyklen. Det gør det lettere at starte cyklen.

4.3.1 Lavt gear

Det laveste gear på cyklen er den mindste kædering foran og det største tandhjul på kassetten. Det laveste gear, der er den letteste måde at træde i pedalerne på, er velegnet til at cykle op ad bakke.

4.3.2 Højt gear

Det højeste gear på cyklen er den mindste kædering foran og det mindste tandhjul på kassetten. Dette gear, hvor det er hårdest at træde i pedalerne, er velegnet til cykling ned ad bakke.

5 Vedligeholdelse

Bemærk! Vedligeholdelse skal udføres hyppigere, når produktet bruges oftere, eller når produktet bruges under våde eller støvede forhold.

For at sikre, at produktet er sikkert at bruge, må du kun bruge originale reservedele, når du udskifter dele, der er relevante for sikkerheden.

- Lad et godkendt servicecenter udføre service på produktet mindst hver 6. måned.
- Sørg for, at alle skruer er spændt korrekt, og at kablerne er monteret korrekt på stellet og ikke er beskadiget, efter der er blevet foretaget justeringer.

5.1 Sådan justeres sadlen

Bemærk! Ståhøjden er afstanden fra jorden til toppen af cykelstellet, når man står over det.

- 1 Stil dig over produktet, og mål den minimale standardafstand fra den øverste del af stellet til skridtet. Standardafstanden er 7,5 cm, hvis der cykles med produktet på et asfalteret underlag. Når du cykler i terræn med produktet, skal afstanden være 10 cm og maksimalt 15 cm.
- 2 Åbn hurtigudløseren, og juster sadelhøjden til den ønskede position. Flyt sadlen med små justeringer for at finde den rette position.
- 3 Hvis det er nødvendigt, kan du justere sadlens vinkel. Løsn boltene, der fastgør sadlen, juster vinklen, og spænd boltene.

5.2 Sådan smører du kæden

⚠ Forsigtig! Smør ikke for meget, fjern overskydende smøremiddel for at forhindre ophobning af snavs.

Kæden skal smøres med jævne mellemrum. Hvis kæden er tør, kan den ruste og blive beskadiget.

- 1 Smør kæden med en passende kædeolie.
- 2 Drej pedalen et par omgange for at lade olien trænge ind i leddene.
- 3 Tør kæden af med en klud.

5.3 Sådan kontrolleres dæk og fælg

- Undersøg jævnligt egerne, og at hjulene ikke er bøjedede eller deformede.
- Kontroller dækkenes lufttryk med jævne mellemrum. Oplysninger om det korrekte dæktryk står på siden af dækket. Hvis lufttrykket er angivet som et interval, skal du altid bruge den laveste værdi.
- Kontroller regelmæssigt, at dækkene ikke er beskadigede.
- Dækket må ikke komme i kontakt med olie, benzin, paraffin eller midler, der kan beskadige gummi.
- Sørg for, at dækkene er centreret mellem gafflerne. Kontroller afstanden mellem dækket og stellet på hver side. Hvis den ikke er lige, skal du løse møtrikkerne på hjulakslen og centrere hjulet.

5.4 Sådan justeres kæden

Bemærk! Hvis kæden kan bevæges mere end 1 cm "op eller ned", skal den spændes. Kæden må ikke være overspændt, så sørg for, at du kan bevæge den op og ned.

- 1 Løsn baghjulets navaksel.
- 2 Træk baghjulet bagud for at strække kæden.
- 3 Sørg for, at baghjulet er lige. Spænd møtrikkerne på bagakslen helt til.
- 4 Sørg for, at kæden har den rigtige spænding, og at hjulene er monteret korrekt.

5.5 Sådan indstilles bremsegrebet

Figur 6

Bremsen må ikke trykke ind mod fælgen, når der ikke trykkes på bremsegrebet. Håndtaget må ikke skubbes helt ind til styret. Bremsen skal virke med fuld kraft, når bremsegrebet trykkes halvvejs ned (A).

- 1 Drej justeringsbøsningen (B) i bremsegrebet for at øge eller reducere bevægelsen af bremsegrebet.
- 2 Hvis det er nødvendigt med en større justering, skal du løsne kabellåsen på bremsearmen. Sæt kablet i den ønskede position, og stram kabellåsen helt til.
- 3 Henvend dig til et servicecenter for at udskifte bremsekablerne.

5.6 Sådan justeres skivebremsen

Figur 7

- Hvis bremsekablet er koblet fra bremsekalibren, skal du løsne boltene i justeringsdelen.
- Før kablet gennem hullet i justeringsdelen, og spænd boltene.
- Hvis det er nødvendigt, skal du udskifte bremseklodderne inde i kalibren. Henvend dig til et servicecenter.

5.6.1 Sådan centrerer skivebremsen

Figur 7

- Hvis bremsen ikke er centreret, skal du finde ud af, hvilken side der skal justeres, og justere skruerne (A) og (B) til skivebremsens bremsekaliber. Foretag små justeringer, drej på hjulet, og lyt efter gnidningsstøj eller friktion.

5.7 Sådan justerer du gearene

Figur 8

- A. **B-spændingsskruer:** Sådan justeres vinklen på bagskifteren i forhold til kassetten.
- B. **Skruer for øvre grænse:** Drej med uret for at justere bagskifteren indad; drej mod uret for at justere bagskifteren opad.
- C. **Skruer for nedre grænse:** Sådan justeres grænsen for, hvornår bagskifteren skal skifte til næste gear.
- D. **Kabelstrammer:** Sådan finjusteres kablet.
- E. **Justeringsskruer til kabelstramning:** Holder kablet fast.

- 1 Stil det bageste gear på det største tal, kobl bagskifterkablet fra kabellåsebolten, og placer kæden på det mindste tandhjul.
- 2 Indstil justeringsskruen for øvre grænse, så kæden og det mindste tandhjul står lodret. Sørg for, at kæden er korrekt strammet. Sæt kablet på igen, og stram kabellåsen til.
- 3 Flyt kæden til det største tandhjul, og indstil justeringsskruen for nedre grænse, så kæden og det største tandhjul står lodret.

Bemærk: Hvis du ikke kan flytte kæden til det største tandhjul, skal du dreje justeringsskruen for nedre grænse mod uret. Dette vil få kæden til at bevæge sig i retning af hjulet.

- 4 Skift gennem gearene, og kontroller, at gearene fungerer problemfrit.

5.8 Sådan rengøres produktet

- Rengør produktet regelmæssigt.
- Rengør med et mildt rengøringsmiddel. Brug ikke affedtningsmidler, der kan trænge ind i lejerne og kæden og forstyrre smøringen.

5.9 Sådan justeres headsettets spænding

Bemærk! Hvis der er slør på styrstammen, eller hvis styrstammen er løs, skal spændingen af headsettet justeres.

⚠ Forsigtig! Spænd ikke for meget, da det kan beskadige lejet.

Figur 9

- 1 Løsn styreklemmens bolte (A) med en 5 mm unbrakonøgle.
- 2 Drej topbolten med uret for at spænde den. Foretag en funktionstest for at sikre, at hovedlejesættet er spændt korrekt.

Bemærk! Sådan kontrolleres sløret: Hold forbremesen, og bevæg styret i en retning og tilbage igen. Styrstammen må ikke bevæge sig.

- 3 Flugt stammen med forhjulet.
- 4 Spænd styreklemmens bolte.

6 Fejlfinding

Fejl	Årsag	Løsning
Bremsene fungerer ikke ordentligt.	Håndbremsegrebet er ikke korrekt justeret.	Kontroller håndbremsegrebet, og juster det. Se " 5.5 Sådan indstilles bremsegrebet " på side 31
	Bremsekablet er knækket.	Kontrollér bremsekablerne, udskift eventuelle ødelagte kabler. Lad et godkendt servicecenter foretage kontrollen, og udskift kablet, hvis det er nødvendigt.
Knirkende cykel	Bevægelige dele er ikke ordentligt smurt.	Find ud af, hvor støjen kommer fra. Kontroller alle bevægelige dele og drejende punkter på produktet. Smør og/eller udskift slidte dele.
Kædespring	Kæden er for løs eller slidt.	Kontroller og juster kæden, eller udskift den om nødvendigt. Se " 5.4 Sådan justeres kæden " på side 30.
	Hjulene er ikke korrekt justeret.	Kontroller hjulene, og juster dem igen. Se " 5.3 Sådan kontrolleres dæk og fælge " på side 30.
	Bagskifteren er ikke justeret korrekt.	Kontroller og juster gearene, hvis det er nødvendigt. Se " 5.7 Sådan justerer du gearene " på side 31.
Svært at træde i pedalerne	Bremsene gnider.	Kontroller bremsene. Se " 5.6 Sådan justeres skivebremsen " på side 31.
	Fælgene er beskadigede eller deforme.	Kontroller for- og bagfælgene. Lad et godkendt servicecenter foretage kontrollen og udføre servicen. Reparer eller udskift beskadigede fælge.
	Højt gear er valgt	Se " 4.3 Sådan skifter du gear " på side 29

7 Opbevaring

Opbevar produktet et tørt sted, beskyttet mod direkte sollys og fugt.

8 Bortskaffelse

Følg de lokale regler ved bortskaffelse af produktet. Brænd ikke produktet.

9 Tekniske data

Parametre	Specifikation
Dækstørrelse	29 x 2,10 (54-622)
Hjulstørrelse	29"
Stelstørrelse	48 cm
Vægt	16,6 kg
Gear	Shimano Tourney
Antal gear	21
Stellets materiale	Aluminium
Fælgenes materiale	Aluminium
Affjedring foran	Ja
Affjedring bagtil	Nej
Forbremse	Skivebremse
Bagbremse (håndbremse)	Skivebremse
Maksimal vægt	110 kg

Spis treści




1	Wprowadzenie	33
1.1	Rodzaj produktu.....	33
1.2	Symbol.....	33
1.3	Przegląd produktu.....	33
2	Bezpieczeństwo	34
2.1	Definicje rodzaju ostrzeżeń.....	34
2.2	Instrukcja bezpiecznej obsługi.....	34
3	Montaż	34
3.1	Narzędzia do montażu i regulacji.....	34
3.2	Montaż kierownicy.....	34
3.3	Montaż sztycy siodełka i siodełka.....	34
3.4	Montaż koła przedniego.....	34
3.5	Montaż pedałów.....	35
3.6	Hamulec przedni i tylny.....	35
4	Obsługa	35
4.1	Czynności do wykonania przed użyciem.....	35
4.2	Używanie hamulców.....	35
4.3	Zmiana biegów.....	35
5	Konserwacja	36
5.1	Regulacja siodełka.....	36
5.2	Smarowanie łańcucha.....	36
5.3	Kontrola opon i obręczy.....	36
5.4	Regulacja łańcucha.....	36
5.5	Regulacja dźwigni hamulca.....	37
5.6	Regulacja tarczy hamulcowych.....	37
5.7	Regulacja biegów.....	37
5.8	Czyszczenie produktu.....	37
6	Usuwanie usterek	38
7	Przechowywanie	38
8	Utylizacja	38
9	Dane techniczne	38

1 Wprowadzenie

1.1 Rodzaj produktu

Produkt to 29-calowy rower górski z 24 biegami.

1.2 Symbole

	Przed użyciem produktu przeczytaj dokładnie instrukcję obsługi i upewnij się, że ją rozumiesz. Zachowaj instrukcję na przyszłość.
	Niniejszy produkt spełnia wymagania stosownych dyrektyw i rozporządzeń unijnych.
	W przypadku utylizacji produkt należy przekazać do recyklingu zgodnie z obowiązującymi przepisami.

1.3 Przegląd produktu

(Rysunek 1)

1. Kierownica
2. Lewy hamulec ręczny
3. Linka lewego hamulca ręcznego
4. Obejma mostka kierownicy
5. Linka prawego hamulca ręcznego
6. Prawy hamulec ręczny
7. Prawa dźwignia zmiany biegów
8. Mostek kierownicy
9. Lewa dźwignia zmiany biegów
10. Rama
11. Lampka rowerowa przednia (biała)
12. Koło przednie
13. Hamulec tarczowy
14. Zawieszenie przednie
15. Koło łańcuchowe
16. Ramię korby
17. Pedał
18. Nóżka rowerowa
19. Przerzutka tylna
20. Osłona przerzutki tylnej
21. Kaseta (przerzutka tylna)
22. Odblask na szprychy
23. Koło tylne
24. Tylny hamulec tarczowy
25. Lampka rowerowa tylna (czerwona)
26. Szyca siodełka
27. Siodełko

2 Bezpieczeństwo

2.1 Definicje rodzaju ostrzeżeń

! Ostrzeżenie! W razie niestosowania się do niniejszej instrukcji zachodzi ryzyko śmierci lub obrażeń ciała.

! Przewaga! W razie niestosowania się do niniejszej instrukcji zachodzi ryzyko uszkodzenia produktu lub innych materiałów, a także wyrządzenia szkód w otoczeniu.

Uwaga! Informacje dotyczące postępowania w określonych sytuacjach.

2.2 Instrukcja bezpiecznej obsługi

! Ostrzeżenie! W razie niestosowania się do niniejszej instrukcji zachodzi ryzyko śmierci lub obrażeń ciała.

- Instrukcja opisuje, jak bezpiecznie jeździć i utrzymywać produkt w dobrym stanie. Przeczytaj uważnie instrukcję i stosuj się do niej.
- Ten produkt jest pojazdem. Zawsze przestrzegaj lokalnych przepisów ruchu drogowego.
- Nie przewoź pasażerów na produkcie.
- Zawsze noś kask rowerowy.
- Jeśli jest ciemno, produkt musi mieć zamocowane lampki i mieć je włączone. Jeśli masz taką możliwość, podczas jazdy noś jasną odzież.

Uwaga! Lampka przednia ani tylna nie jest częścią dostarczaną z produktem.

- Jeśli jest mokro, skuteczność hamulców jest mniejsza. Jeźdź wolniej i zacznij hamować wcześniej niż przy suchej nawierzchni.
- Nie modyfikuj konstrukcji produktu.
- Nie używaj produktu niezgodnie z jego przeznaczeniem.
- Nie używaj produktu w stanie zmęczenia, choroby, pod wpływem alkoholu, narkotyków lub leków. Powyższe zdarzenia mają negatywny wpływ na zdolność widzenia, czujność, koordynację oraz ocenę sytuacji.
- Nie pozwól, aby produktu używała osoba nieobeznana z produktem.
- Nie używaj produktu, jeśli jest uszkodzony.
- Nie wieszaj na kierownicy niczego, co może wpłynąć na kierowanie produktem lub zaplątać się w koło przednie.

3 Montaż

3.1 Narzędzia do montażu i regulacji

- Klucze płasko-oczkowe w rozmiarach 13, 14, 15 mm
- Klucze imbusowe w rozmiarze 5, 6 i 8 mm
- Wkrętaki
- Smar

3.2 Montaż kierownicy

Rysunek 2

- 1 Poluzuj śruby mocujące górną część obejmę kierownicy (A) na mostku kierownicy. Zamocuj kierownicę (B).

Uwaga! Upewnij się, że kierownica jest ustawiona prosto, a linki hamulcowe są umieszczone po prawej stronie przedniego widelca. Jeśli linki nie są umieszczone we właściwym miejscu, obróć je do prawidłowej pozycji.

- 2 Ustaw kierownicę pod odpowiednim kątem i dokręć śruby na krzyż.
- 3 Upewnij się, że śruby (C) na mostku kierownicy są dokręcone.

3.3 Montaż sztycy siodełka i siodełka

Rysunek 3

- 1 Włóż górną część sztycy pod siodełko (A). Upewnij się, że obejma jest prawidłowo zamocowana i dokręć śruby.
- 2 Nałóż smar na sztycę siodełka.
- 3 Zamontuj sztycę siodełka w rurze.

Uwaga! Upewnij się, że oznaczenie minimalnej wysokości siodełka na sztycy znajduje się poniżej krawędzi rury do siodełka.

- 4 Zablokuj sztycę siodełka na odpowiedniej wysokości, sprawdź, czy dźwignia szybkiego zwalniania jest zablokowana (B).

3.4 Montaż koła przedniego

Rysunek 4

Uwaga! Aby uzyskać łatwiejszy dostęp podczas montażu kół i pedałów, postaw produkt na siodełku i kierownicy.

- 1 Zamontuj przednie koło między widelcami na przednim zawieszeniu. Upewnij się, że koło przednie jest wyśrodkowane między gołeniami widelca a hamulcami szczękowymi.
- 2 Przełóż wałek szybkozamykacza przez widelec i koło. Dokręć oś koła, upewnij się, że dźwignia szybkiego zwalniania jest prawidłowo zablokowana. (Rysunek 4)

3.5 Montaż pedałów

Uwaga! Zamontuj prawy pedał po prawej stronie roweru, a lewy pedał po lewej stronie roweru. Nieprawidłowy montaż pedałów może spowodować uszkodzenie ich gwintów.

3.5.1 Mocowanie prawego pedału

Rysunek 5

- 1 Przykręć pedał w prawo po stronie łańcucha ramienia korby. Sprawdź oznaczenie na pedale, prawy pedał jest oznaczony literą „R”.
- 2 Śrubę dokręć kluczem do nakrętek 15 mm.

3.5.2 Mocowanie lewego pedału

Rysunek 5

- 1 Przykręć pedał w lewo po przeciwnej stronie. Sprawdź oznaczenie na pedale, lewy pedał jest oznaczony literą „L”.
- 2 Śrubę dokręć kluczem do nakrętek 15 mm.

3.6 Hamulec przedni i tylny

⚠ Ostrzeżenie! Nie używaj produktu z hamulcami, które nie są sprawne.

Produkt posiada przednie i tylne hamulce tarczowe.

- W razie potrzeby wyreguluj dźwignię hamulca. Patrz [“Regulacja dźwigni hamulca Regulacja dźwigni hamulca” na stronie 37](#).

Uwaga! Dźwignia hamulca po lewej stronie kierownicy obsługuje hamulec przedni, a dźwignia hamulca po prawej stronie obsługuje hamulec tylny.

4 Obsługa

⚠ Ostrzeżenie! Użyj opaski na nogawkę lub podobnego rozwiązania, aby zminimalizować ryzyko wkręcenia się nogawki w łańcuch lub szprychy.

4.1 Czynności do wykonania przed użyciem

- Upewnij się, że wysokość siodelka i kierownicy są prawidłowo wyregulowane.
- Upewnij się, że zamontowano hamulce i dzwonek.
- Upewnij się, że produkt ma przednią lampkę świecącą na biało i tylną lampkę świecącą na czerwono. Upewnij się, że lampki działają.
- Sprawdź, czy odbłaski rowerowe są poprawnie zamontowane, czyste i czy odbijają światło. Wymień uszkodzone odbłaski.
- Zapoznaj się z obsługą poszczególnych części i akcesoriów produktu. Brak umiejętności korzystania z hamulców produktu grozi ciężkimi obrażeniami.
- Upewnij się, że użycie hamulca powoduje zatrzymanie koła.
- Upewnij się, że wszystkie śruby i elementy są dokręcone i prawidłowo zamontowane.
- Upewnij się, że koła są prawidłowo zamontowane.
- Upewnij się, że obręcze kół nie są uszkodzone.
- Upewnij się, że opony nie są uszkodzone i że masz w nich prawidłowe ciśnienie. Sprawdź oznaczenie na oponach.
- Upewnij się, że kierownica porusza się prawidłowo.

4.2 Używanie hamulców

- Hamując, najpierw naciśnij dźwignię hamulca tylnego (po prawej stronie), a dopiero później hamulca przedniego.

⚠ Ostrzeżenie! Nie hamuj przednim hamulcem skręcając lub jadąc na śliskiej nawierzchni.

4.3 Zmiana biegów

⚠ Przestroga! Zmieniając biegi, nie pedałuj do tyłu.

⚠ Przestroga! Nie zmieniaj biegów na siłę!

Uwaga! Podczas zmiany biegu, nie przełączaj bezpośrednio z dużej tylnej zębátky na dużą przednią zębátkę. Powoduje to, że łańcuch znajduje się pod ostrym kątem i utrudnia zmianę biegów. Sprawdź zalecane tryby zmiany przerzutek na schemacie.

- Użyj lewej dźwigni zmiany biegów, aby przełączać się między zębátkami.
- Użyj prawej dźwigni zmiany biegów, aby przełączać między różnymi zębátkami na kasecie.

- Zmień bieg na niższy, zanim będzie to konieczne. Musisz być w stanie pedałowac do przodu podczas zmiany biegów.
- Przed zatrzymaniem produktu należy zmienić bieg na niższy. Ułatwia to późniejsze ruszenie rowerem.

4.3.1 Niski bieg

Najniższy bieg w rowerze to najmniejsza zębatka z przodu i największa zębatka na kasecie. Jadąc pod górę, należy wybrać najniższy bieg – wówczas będzie najłatwiej pedałowac.

4.3.2 Wysoki bieg

Najwyższy bieg w rowerze to najmniejsza zębatka z przodu i najmniejsza zębatka na kasecie. W tej pozycji pedałowanie jest najcięższe, ten bieg jest odpowiedni do jazdy w dół.

5 Konserwacja

Uwaga! Częstotliwość konserwacji powinna wzrosnąć, gdy produkt jest używany bardzo intensywnie, przy dużym wilgotności lub przy dużym zapyleniu.

Zadbaj o bezpieczeństwo podczas używania produktu – w tym celu używaj wyłącznie oryginalnych części zamiennych.

- Zaleca się oddawanie produktu do autoryzowanego serwisu na przegląd przynajmniej co sześć miesięcy.
- Upewnij się, że wszystkie śruby są prawidłowo dokręcone, a linki prawidłowo przymocowane do ramy i nie są uszkodzone po dokonaniu regulacji.

5.1 Regulacja siodełka

Uwaga! Wysokość w pozycji stojącej to odległość od podłoża do górnej części ramy stojącego roweru.

- 1 Stań nad produktem i zmierz minimalną standardowy prześwit od górnej części ramy do krocza. Standardowy prześwit wynosi 7,5 cm, jeśli produkt porusza się po utwardzonym podłożu. Podczas jazdy w terenie prześwit powinien wynosić od 10 cm do maksymalnie 15 cm.
- 2 Otwórz dźwignię szybkiego zwalniania (A) i ustaw siodełko na odpowiedniej wysokości. Aby znaleźć odpowiednią wysokość, przesuwaj siodełko o niewielką odległość w górę i w dół.
- 3 W razie potrzeby wyreguluj kąt siodełka. Odkręć śrubę mocującą siodełko i wyreguluj kąt siodełka.

5.2 Smarowanie łańcucha

⚠️ Przestroga! Zwróć uwagę, aby nie nakładać zbyt wiele smaru, usuń jego nadmiar, aby zapobiec gromadzeniu się zanieczyszczeń.

Łańcuch należy smarować w regularnych odstępach czasu. Jeśli łańcuch jest suchy, może rdzewieć i ulec uszkodzeniu.

- 1 Nasmaruj łańcuch odpowiednim olejem łańcuchowym.
- 2 Wykonaj kilka obrotów pedałem, aby olej dostał się do ogniwa.
- 3 Wytrzyj łańcuch szmatką.

5.3 Kontrola opon i obręczy

- Regularnie sprawdzaj sprężyczki i upewnij się, że koła nie są wygięte ani zdeformowane.
- Regularnie sprawdzaj, czy opony nie są uszkodzone.
- Nie pozwól, aby opony miały kontakt z olejem, benzyną, parafiną lub środkami, które mogą spowodować uszkodzenie gumy.
- Upewnij się, że opony są wyśrodkowane pomiędzy widelcami. Sprawdź przestrzeń między oponą a ramą z każdej strony. Jeśli nie jest równa, poluzuj nakrętki osi koła i wyśrodkuj koło.
- Regularnie sprawdzaj ciśnienie powietrza w oponach. Prawidłowa wartość ciśnienia powietrza w oponie podana jest z boku opony. Jeśli podane ciśnienie jest zakresem wartości, zawsze zastosuj wartość niższą.

5.4 Regulacja łańcucha

Uwaga! Jeśli łańcuch można przesunąć o więcej niż 1 cm w górę lub w dół, należy go napiąć. Pamiętaj jednak, że łańcuch nie może być nadmiernie napięty, upewnij się, że możesz go przesunąć w górę i w dół.

- 1 Odkręć oś piasty koła tylnego.
- 2 Pociągnij koło do tyłu, aby napiąć łańcuch.
- 3 Upewnij się, że koło tylne jest proste. Całkowicie dokręć nakrętki na tylnej osi.
- 4 Upewnij się, że łańcuch jest prawidłowo napięty i że koła są prawidłowo zamontowane.

5.5 Regulacja dźwigni hamulca

Rysunek 6

Hamulec nie może trzeć o obręcz koła, jeśli dźwignia hamulca nie jest przyciśnięta. Nie należy dociskać dźwigni hamulca tak, aby dotykała kierownicy. Hamulec powinien działać z pełną mocą, gdy dźwignia hamulca jest wciśnięta do połowy (A).

- 1 Obróć tulejkę regulacyjną (B) przy dźwigni hamulca, aby zwiększyć lub zmniejszyć ruch dźwigni hamulca.
- 2 Jeśli potrzebna jest większa regulacja, zwolnij blokadę linki na ramieniu hamulca. Przesuń linkę do wymaganej pozycji i całkowicie dokręć blokadę linki.
- 3 Aby wymienić linki hamulcowe, skontaktuj się z serwisem.

5.6 Regulacja tarczy hamulcowych

Rysunek 7

- Jeśli linka hamulca jest odłączona od zacisku tarczy, poluzuj śrubę baryłkową.
- Przełoż linkę przez otwór w śrubie baryłkowej i dokręć śrubę.
- W razie potrzeby wymień klocki hamulcowe w zacisku. Skontaktuj się z serwisem.

5.6.1 Wyśrodkowywanie tarczy hamulcowych

Rysunek 7

- Jeśli hamulec nie jest wyśrodkowany, sprawdź, która strona wymaga regulacji i wyreguluj śruby zacisku hamulca tarczowego (A) i (B). Dokonaj drobnych regulacji, obracając kołem i nasłuchując odgłosów tarcia lub ocierania.

5.7 Regulacja biegów

Rysunek 8

- A. **Śruba napinająca B:** Służy do regulacji kąta przerzutki względem kasety.
- B. **Śruba górna ograniczająca:** Obróć w prawo, aby wyregulować przerzutkę do wewnątrz, obróć w lewo, aby wyregulować przerzutkę do góry.
- C. **Śruba dolna ograniczająca:** Do regulowania granicy, kiedy przerzutka powinna zmieniać bieg na kolejny.
- D. **Śruba baryłkowa:** Do precyzyjnej regulacji linki.
- E. **Śruba regulacji naprężenia linki:** Przytrzymuje linkę na kotwicy.

- 1 Ustaw tylny bieg na największy, odłącz linkę tylniej przerzutki od śruby kotwiącej linkę i umieść łańcuch na najmniejszej zębatce.
- 2 Wyreguluj śrubę górną ograniczającą tak, aby łańcuch i najmniejsza zębatka były wyrównane w pionie. Upewnij się, że napięcie łańcucha jest prawidłowe. Podłącz linkę ponownie i dokręć do kotwicy.
- 3 Przesuń łańcuch na największą zębatkę, wyreguluj śrubę dolną ograniczającą tak, aby łańcuch i największa zębatka były wyrównane w pionie.

Uwaga: Jeśli nie można przesunąć łańcucha na największą zębatkę, obróć śrubę dolną ograniczającą w lewo. Dzięki temu łańcuch będzie poruszał się w kierunku koła.

- 4 Zmieniaj biegi i upewnij się, że działają płynnie.

5.8 Czyszczenie produktu

- Czyść produkt regularnie.
- Czyść go łagodnym detergentem. Nie używaj produktów odtłuszczających, które mogą przeniknąć do łożysk i łańcucha i wpłynąć na smarowanie.

5.9 Aby wyregulować łożysko sterujące woltaż

Uwaga! Jeżeli występuje luz w trzonie sterowym lub trzon sterowy jest poluzowany, należy wyregulować naprężenie łożyska sterowego.

! Przystroga! Nie dokręcaj zbyt mocno, ponieważ może to spowodować uszkodzenie łożyska.

Zdjęcie 9

- 1 Odkręć śruby zacisku kierownicy (A) za pomocą klucza imbusowego 5 mm.

Uwaga! Dokręć śrubę głowicy cylindra, obracając ją zgodnie z ruchem wskazówek zegara. Przeprowadź test funkcjonalny, aby upewnić się, że łożysko sterowe jest odpowiednio dokręcone.

- 2 Notatka! Aby sprawdzić luz, przytrzymaj przedni hamulec i poruszaj kierownicą do przodu i do tyłu. Mostek kierownicy nie może się poruszać.
- 3 Wyrównaj mostek kierownicy z przednim kołem.
- 4 Dokręć śruby zacisku kierownicy.

6 Usuwanie usterek

Usterka	Możliwa przyczyna	Działanie
Hamulce nie działają prawidłowo.	Dźwignia hamulca ręcznego nie jest prawidłowo wyregulowana.	Sprawdź dźwignię hamulca ręcznego i wyreguluj. Patrz "Regulacja dźwigni hamulca Regulacja dźwigni hamulca" na stronie 37.
	Linka hamulcowa jest uszkodzona.	Sprawdź linki hamulcowe, wymień uszkodzoną. Oddaj rower do autoryzowanego serwisu do kontroli i ewentualnej wymiany linki.
Rower piszczy	Ruchome części nie są odpowiednio nasmarowane.	Złokalizuj, skąd dochodzi hałas. Sprawdź wszystkie ruchome części i punkty obrotu produktu. Nasmaruj i/lub wymień zużyte części.
Łańcuch przeskakuje	Łańcuch jest zbyt luźny lub zużyty.	Sprawdź i wyreguluj łańcuch lub wymień w razie potrzeby. Patrz "Regulacja łańcucha Regulacja łańcucha" na stronie 36.
	Koła nie są prawidłowo ustawione.	Sprawdź koła i wyrównaj. Patrz "Kontrola opon i obręczy Kontrola opon i obręczy" na stronie 36.
	Przerzutka nie jest prawidłowo wyregulowana.	Sprawdź i w razie potrzeby wyreguluj biegi. Patrz "Regulacja biegów Regulacja biegów" na stronie 37.
Trudno jest pedałowac	Hamulce ocierają o obręcz.	Sprawdź hamulce, Patrz "Regulacja tarczy hamulcowych Regulacja tarczy hamulcowych" na stronie 37.
	Obręcze są uszkodzone lub zdeformowane.	Sprawdź przednią i tylną obręcz. Oddaj rower do autoryzowanego serwisu do kontroli i ewentualnej naprawy. Napraw lub wymień uszkodzone obręcze.
	Wybrany jest wysoki bieg	Patrz "Zmiana biegów Zmiana biegów" na stronie 35.

7 Przechowywanie

Przechowuj produkt w suchym miejscu zabezpieczonym przed bezpośrednim nasłonecznieniem i wilgocią.

8 Utylizacja

Pamiętaj, aby postępować zgodnie z lokalnymi przepisami dotyczącymi utylizacji. Nie spalaj produktu.

9 Dane techniczne

Parametry	Specyfikacja
Rozmiar opon	29 x 2,10 (54-622)
Rozmiar kół	29"
Rozmiar ramy	48 cm
Masa	16,6 kg
Przerzutka	Shimano Tourney
Liczba biegów	21
Materiał ramy	Aluminium
Materiał obręczy	Aluminium
Zawieszenie przednie	Tak
Zawieszenie tylne	Nie
Hamulec przedni	Hamulec tarczowy
Hamulec tylny (hamulec ręczny)	Hamulec tarczowy
Maksymalne obciążenie	110 kg

Inhaltsverzeichnis

1 Einführung	39
1.1 Produktbeschreibung	39
1.2 Symbole	39
1.3 Produktübersicht.....	39
2 Sicherheit	40
2.1 Sicherheitshinweise	40
2.2 Sicherheitshinweise für die Bedienung.....	40
3 Montage	40
3.1 Werkzeuge zum Montieren und Einstellen.....	40
3.2 So montieren Sie den Lenker	40
3.3 So montieren Sie die Sattelstütze und den Sattel	40
3.4 So montieren Sie das Vorderrad	41
3.5 So montieren Sie die Pedale	41
3.6 Vorder- und Hinterradbremse	41
4 Anwendung	41
4.1 Was vor der Verwendung zu tun ist.....	41
4.2 So betätigen Sie die Bremsen	41
4.3 So wechseln Sie die Gänge	42
5 Wartung und Pflege	42
5.1 So stellen Sie den Sattel ein	42
5.2 So schmieren Sie die Kette	42
5.3 So führen Sie eine Überprüfung von Reifen und Felgen durch	42
5.4 So passen Sie die Kette an.....	43
5.5 So stellen Sie den Bremshebel ein.....	43
5.6 So stellen Sie die Scheibenbremse ein.....	43
5.7 So passen Sie die Gänge an.....	43
5.8 So reinigen Sie das Produkt	43
6 Fehlersuche	44
7 Lagerung	45
8 Entsorgung	45
9 Technische Daten	45

1 Einführung

1.1 Produktbeschreibung

Bei dem Produkt handelt es sich um ein 29-Zoll-Mountainbike mit 24 Gängen.

1.2 Symbole

	Lesen Sie die Gebrauchsanweisung sorgfältig durch und vergewissern Sie sich, dass Sie die Anweisungen verstanden haben, bevor Sie das Produkt benutzen. Bewahren Sie die Anweisungen zum späteren Nachschlagen auf.
	Dieses Produkt entspricht den geltenden EU-Richtlinien und -Verordnungen.
	Zur Entsorgung muss das Produkt gemäß den geltenden Vorschriften recycelt werden.

1.3 Produktübersicht

(Abbildung 1)

1. Lenker
2. Linke Handbremse
3. Kabel linke Handbremse
4. Lenker-Klammer
5. Kabel rechte Handbremse
6. Rechte Handbremse
7. Rechter Schalthebel
8. Lenker-Vorbau
9. Linker Schalthebel
10. Rahmen
11. Frontreflektor (weiß)
12. Vorderrad
13. Scheibenbremse
14. Aufhängung vorne
15. Kettenrad
16. Kurbelarm
17. Pedal
18. Fahrradständer
19. Hinteres Schaltwerk
20. Schutz für das hintere Schaltwerk
21. Kassette (Hinterradgetriebe)
22. Speichenreflektor
23. Hinterrad
24. Scheibenbremse hinten
25. Rückstrahler (rot)
26. Sattelstütze
27. Sattel

2 Sicherheit

2.1 Sicherheitshinweise

⚠️ Warnung! Wenn Sie diese Anweisungen nicht befolgen, besteht Lebens- und Verletzungsgefahr.

⚠️ Achtung! Wenn Sie diese Anweisungen nicht befolgen, besteht die Gefahr, dass das Produkt, andere Materialien oder der angrenzende Bereich beschädigt werden.

Hinweis! Informationen, die in einer bestimmten Situation notwendig sind.

2.2 Sicherheitshinweise für die Bedienung

⚠️ Warnung! Wenn Sie diese Anweisungen nicht befolgen, besteht Lebens- und Verletzungsgefahr.

- Die Anleitung beschreibt, wie man sicher fährt und das Produkt in gutem Zustand hält. Lesen Sie die Anweisungen sorgfältig durch und befolgen Sie sie.
- Bei dem Produkt handelt es sich um ein Fahrzeug. Halten Sie sich immer an die örtlichen Verkehrsregeln.
- Lassen Sie keinen Passagier auf dem Produkt sitzen.
- Tragen Sie immer einen Fahrradhelm.
- Bei Dunkelheit müssen Lampen am Produkt angebracht und genutzt werden. Tragen Sie helle Kleidung, wenn es möglich ist.

Hinweis! Vorder- und Rückleuchten sind nicht im Lieferumfang des Produkts enthalten.

- Ist es nass, reduziert sich die Leistung der Bremse. Fahren Sie langsamer und bremsen Sie früher als bei trockenem Wetter.
- Modifizieren Sie das Produkt nicht.
- Verwenden Sie das Produkt nicht anders als für den vorgesehenen Zweck.
- Verwenden Sie das Produkt nicht, wenn Sie müde oder krank sind oder unter dem Einfluss von Alkohol, Drogen oder Medikamenten stehen. Dies wirkt sich negativ auf Ihr Sehvermögen, Ihre Aufmerksamkeit, Koordination und Ihr Urteilsvermögen aus.
- Erlauben Sie keiner Person, die mit dem Produkt nicht vertraut ist, es zu benutzen.
- Verwenden Sie das Produkt niemals, wenn es defekt ist.

- Hängen Sie keine Gegenstände an den Lenker, die die Lenkung des Produkts beeinträchtigen oder sich im Vorderrad verfangen können.

3 Montage

3.1 Werkzeuge zum Montieren und Einstellen

- Ringmaulschlüssel, Größe 13, 14, 15 mm.
- Inbusschlüssel, Größe 5, 6 und 8 mm.
- Schraubendreher
- Schmierfett

3.2 So montieren Sie den Lenker

Abbildung 2

- 1 Lösen Sie die Schrauben, die den oberen Teil der Lenkerklemme (A) am Lenkervorbau halten. Befestigen Sie die Lenkerstange (B).

Hinweis! Achte darauf, dass der Lenker gerade ist und die Bremskabel auf der rechten Seite der Vorderradgabel angebracht sind. Wenn die Kabel nicht richtig installiert sind, drehen Sie die Kabel in die richtige Position.

- 2 Stellen Sie den Winkel des Lenkers auf den gewünschten Winkel ein und ziehen Sie die Schrauben über Kreuz fest.
- 3 Stellen Sie sicher, dass die Schrauben (C) am Lenkervorbau festgezogen sind.

3.3 So montieren Sie die Sattelstütze und den Sattel

Abbildung 3

- 1 Schieben Sie das Oberteil der Sattelstütze unter den Sattel (A). Stellen Sie sicher, dass die Klemme richtig angebracht ist, und ziehen Sie die Schrauben fest.
- 2 Tragen Sie Schmierfett auf die Sattelstütze auf.
- 3 Montieren Sie die Sattelstütze in das Sattelrohr.

Hinweis! Achten Sie darauf, dass die Markierung für die minimale Höhe auf der Sattelstütze unterhalb der Kante des Sitzrohrs liegt.

- 4 Verriegeln Sie die Sattelstütze auf der entsprechenden Höhe, stellen Sie sicher, dass der Schnellspannhebel verriegelt ist (B).

3.4 So montieren Sie das Vorderrad

Abbildung 4

Hinweis! Für einen leichteren Zugang bei der Montage der Reifen und des Pedals stellen Sie das Produkt auf den Sattel und den Lenker.

- 1 Montieren Sie das Vorderrad zwischen den Gabeln der Vorderradaufhängung. Achten Sie darauf, dass das Vorderrad mittig zwischen den Gabelbeinen und den Felgenbremsen liegt.
- 2 Führen Sie die Schnellspannwelle durch die Gabel und das Rad. Ziehen Sie die Radachse fest, vergewissern Sie sich, dass der Schnellspannhebel richtig verriegelt ist. (Abbildung 4)

3.5 So montieren Sie die Pedale

Hinweis! Montieren Sie das rechte Pedal auf der rechten Seite des Fahrrads und das linke Pedal auf der linken Seite des Fahrrads. Wenn die Pedale nicht richtig montiert sind, kann es zu Schäden an den Gewinden an den Pedalen kommen.

3.5.1 So montieren Sie das rechte Pedal

Abbildung 5

- 1 Drehen Sie das Pedal auf der Kettenseite des Kurbelarms im Uhrzeigersinn. Beachten Sie die Markierung auf dem Pedal, das rechte Pedal ist mit R gekennzeichnet.
- 2 Ziehen Sie die Schraube mit einem 15-mm-Ringmaulschlüssel fest.

3.5.2 So montieren Sie das linke Pedal

Abbildung 5

- 1 Drehen Sie das Pedal gegen den Uhrzeigersinn auf der gegenüberliegenden Seite. Beachten Sie die Markierung auf dem Pedal, das linke Pedal ist mit L gekennzeichnet.
- 2 Ziehen Sie die Schraube mit einem 15-mm-Ringmaulschlüssel fest.

3.6 Vorder- und Hinterradbremse

! Warnung! Verwenden Sie kein Produkt mit Bremsen, die nicht richtig funktionieren.

Das Produkt hat Scheibenbremsen vorne und hinten.

- Passen Sie ggf. den Bremshebel an. Siehe [„5.5 So stellen Sie den Bremshebel ein“](#) auf Seite 43

Hinweis! Der Bremshebel auf der linken Seite des Lenkers gilt für die Vorderradbremse und der Bremshebel auf der rechten Seite für die Hinterradbremse.

4 Anwendung

! Warnung! Verwenden Sie ein Hosenband oder ähnliches, um das Risiko eines Einklemmens in der Kette oder den Kettenrädern zu minimieren.

4.1 Was vor der Verwendung zu tun ist

- Achten Sie darauf, dass die Höhe des Sattels und des Lenkers richtig eingestellt sind.
- Stellen Sie sicher, dass das Produkt mit Bremsen und einer Klingel ausgestattet ist.
- Vergewissern Sie sich, dass das Produkt über eine Vorderleuchte mit weißem Licht und eine Rückleuchte mit rotem Licht verfügt. Stellen Sie sicher, dass die Lampen leuchten können.
- Überprüfen Sie, ob die Reflektoren des Produkts korrekt installiert, sauber und nicht verdeckt sind. Beschädigte Reflektoren ersetzen.
- Informieren Sie sich, wie Sie die Komponenten und das Zubehör des Produkts richtig verwenden. Wenn Sie nicht wissen, wie man die Bremsen des Produkts bedient, können Sie sich ernsthaft verletzen.
- Vergewissern Sie sich, dass die Bremsen die Räder beim Betätigen stoppen.
- Stellen Sie sicher, dass alle Schrauben und Komponenten angezogen und korrekt montiert sind.
- Vergewissern Sie sich, dass die Räder korrekt montiert sind.
- Achten Sie darauf, dass die Felgen nicht beschädigt sind.
- Achten Sie darauf, dass die Reifen nicht beschädigt sind und den richtigen Luftdruck haben. Beachten Sie die Kennzeichnung auf den Reifen.
- Achten Sie darauf, dass sich die Lenkung richtig bewegt.

4.2 So betätigen Sie die Bremsen

- Betätigen Sie die Hinterradbremse (rechter Bremshebel), bevor Sie die Vorderradbremse betätigen.

! Warnung! Ziehen Sie die Vorderradbremse nicht an, wenn Sie lenken oder auf einer rutschigen Oberfläche fahren.

4.3 So wechseln Sie die Gänge

⚠️ Vorsicht! Treten Sie beim Gangwechsel nicht rückwärts in die Pedale.

⚠️ Achtung! Wechseln Sie die Gänge nicht mit Gewalt.

Hinweis! Beim Gangwechsel: Wechseln Sie nicht vom großen hinteren Ritzel direkt auf das große vordere Ritzel. Dies führt dazu, dass die Kette in einem spitzen Winkel steht und das Schalten erschwert wird. In der Anleitung finden Sie die empfohlene Gangkombination.

- Mit der linken Gangschaltung können Sie zwischen den Kettenblättern der Kettengarnitur wechseln.
- Mit dem rechten Schalthebel können Sie zwischen den verschiedenen Ritzeln der Kassette wechseln.
- Schalten Sie in einen niedrigeren Gang, bevor es nötig wird. Beim Gangwechsel müssen Sie in der Lage sein, vorwärts zu treten.
- Schalten Sie in einen niedrigeren Gang, bevor Sie das Produkt anhalten. Dies erleichtert das Anfahren.

4.3.1 Niedriger Gang

Der niedrigste Gang am Fahrrad ist das kleinste Kettenblatt vorne und das größte Ritzel auf der Kassette. Das Treten ist dann am leichtesten, der niedrigste Gang eignet sich zum Bergauffahren.

4.3.2 Hoher Gang

Der höchste Gang am Fahrrad ist das kleinste Kettenblatt vorne und das kleinste Ritzel auf der Kassette. In dieser Position ist der Tritt in die Pedale am härtesten, dieser Gang ist zum Bergabfahren geeignet.

5 Wartung und Pflege

Hinweis! Die Häufigkeit der Wartung sollte erhöht werden, wenn das Produkt häufiger verwendet wird oder wenn das Produkt unter nassen oder staubigen Bedingungen verwendet wird.

Stellen Sie sicher, dass das Produkt sicher zu verwenden ist, verwenden Sie nur Originalersatzteile, wenn Sie Teile ersetzen, die für die Sicherheit geeignet sind.

- Lassen Sie das Produkt mindestens alle 6 Monate von einem zugelassenen Servicecenter warten.
- Stellen Sie sicher, dass alle Schrauben richtig angezogen sind und dass die Drähte korrekt am Rahmen montiert sind und nach dem Einstellen nicht beschädigt werden.

5.1 So stellen Sie den Sattel ein

Hinweis! Die Überstandshöhe ist der Abstand vom Boden bis zur Oberkante des Fahrradrahmens, wenn Sie darüber stehen.

- 1 Stellen Sie sich über das Produkt und messen Sie den minimalen Standardabstand vom oberen Teil des Rahmens bis zum Schritt. Die Standardfreiheit beträgt 7,5 cm, wenn das Produkt auf befestigtem Boden gefahren wird. Beim Fahren im Gelände sollte die Überstandshöhe 10 cm, maximal 15 cm betragen.
- 2 Öffnen Sie den Schnellspannhebel und stellen Sie die Höhe des Sattels auf die entsprechende Position ein. Bewegen Sie den Sattel mit kleinen Anpassungen, um die richtige Position zu finden.
- 3 Wenn es notwendig ist, passen Sie den Winkel des Sattels an. Lösen Sie die Schraube, mit der der Sattel befestigt ist, stellen Sie den Winkel des Sattels ein und ziehen Sie die Schraube fest.

5.2 So schmieren Sie die Kette

⚠️ Achtung! Nicht überschmieren, überschüssiges Schmiermittel entfernen, um Schmutzablagerungen zu vermeiden

Die Kette sollte in regelmäßigen Abständen geschmiert werden. Wenn die Kette trocken ist, kann sie rosten und beschädigt werden.

- 1 Schmieren Sie die Kette mit dem entsprechenden Kettenöl.
- 2 Bewegen Sie das Pedal ein paar Umdrehungen, um das Öl zu verteilen.
- 3 Wischen Sie die Kette mit einem Tuch ab.

5.3 So führen Sie eine Überprüfung von Reifen und Felgen durch

- Kontrollieren Sie regelmäßig die Speichen und stellen Sie sicher, dass die Räder nicht verformt sind
- Kontrollieren Sie regelmäßig, ob die Reifen nicht beschädigt sind.
- Achten Sie darauf, dass der Reifen nicht mit Öl, Benzin, Paraffin oder Mitteln in Berührung kommt, die den Gummi beschädigen können.
- Achten Sie darauf, dass die Reifen mittig zwischen den Gabeln liegen. Überprüfen Sie den Abstand zwischen Reifen und Rahmen auf jeder Seite. Wenn er nicht eben ist, lösen Sie die Radachsmuttern und zentrieren Sie das Rad.

- Prüfen Sie in regelmäßigen Abständen den Reifendruck. Der korrekte Luftdruck ist auf der Seite des Reifens angezeigt. Wenn der Luftdruck in einem Intervall angegeben wird, verwenden Sie immer den niedrigeren Wert.

5.4 So passen Sie die Kette an

Hinweis! Wenn die Kette mehr als 1 cm nach oben oder unten bewegt werden kann, muss sie gespannt werden. Die Kette darf nicht überspannt sein, achten Sie darauf, dass Sie sie auf und ab bewegen können.

- 1 Lösen Sie die Nabenachse des Hinterrads.
- 2 Ziehe das Hinterrad nach hinten, um die Kette zu dehnen.
- 3 Achten Sie darauf, dass das Hinterrad gerade ist. Die Muttern an der Hinterachse fest anziehen.
- 4 Achten Sie darauf, dass die Kette die richtige Spannung hat und die Räder richtig montiert sind.

5.5 So stellen Sie den Bremshebel ein

Abbildung 6

Die Bremse darf nicht gegen die Felge reiben, wenn der Bremshebel nicht verwendet wird. Der Griff darf nicht vollständig an den Lenker gedrückt werden. Die Bremse sollte die volle Kraft aufbringen, wenn der Bremshebel halb durchgedrückt wird (A).

- 1 Drehen Sie die Einstellhülse (B) im Bremshebel, um die Bewegung des Bremshebels zu verstärken oder zu verringern.
- 2 Wenn eine größere Einstellung erforderlich ist, lösen Sie die Drahtsperrung am Bremsarm. Schieben Sie den Draht in die gewünschte Position und ziehen Sie die Drahtverriegelung vollständig fest.
- 3 Um die Bremsdrähte zu ersetzen, wenden Sie sich an Ihr Servicecenter.

5.6 So stellen Sie die Scheibenbremse ein

Abbildung 7

- Wenn das Bremskabel vom Bremssattel getrennt ist, lösen Sie die Schraube in der Einstellhülse.
- Führen Sie den Draht durch das Loch in der Einstellhülse und ziehen Sie die Schraube fest.
- Falls erforderlich, tauschen Sie die Bremsbeläge aus. Wenden Sie sich an ein Servicecenter.

5.6.1 So zentrieren Sie die Scheibenbremse

Abbildung 7

- Wenn die Bremse nicht zentriert ist, ermitteln Sie, welche Seite eingestellt werden muss, und stellen Sie die Schrauben (A) und (B) des Scheibenbremssattels ein. Nehmen Sie kleine Anpassungen vor, drehen Sie das Rad und achten Sie auf eventuelle Schleifgeräusche oder Reibung.

5.7 So passen Sie die Gänge an

Abbildung 8

- B-Spannschraube:** Zum Einstellen des Winkels des Schaltwerks im Verhältnis zur Kasette.
 - Obere Begrenzungsschraube:** Drehen Sie im Uhrzeigersinn, um das Schaltwerk nach innen zu verstellen, und drehen Sie gegen den Uhrzeigersinn, um das Schaltwerk nach oben zu verstellen.
 - Untere Begrenzungsschraube:** Zum Einstellen der Grenze, wann das Schaltwerk in den nächsten Gang schalten soll.
 - Hülseneinstellung:** Zur Feineinstellung des Kabels.
 - Drahtspannungs-Einstellschraube:** Hält den Draht am Anker.
- 1 Schalten Sie den hinteren Gang auf die größte Zahl, trennen Sie das Schaltwerk von der Kabelankerschraube und legen Sie die Kette auf das kleinste Ritzel.
 - 2 Stellen Sie die obere Begrenzungsschraube so ein, dass die Kette und das kleinste Kettenrad vertikal ausgerichtet sind. Stellen Sie sicher, dass die Spannung der Kette richtig ist. Schließen Sie den Draht wieder an und ziehen Sie ihn am Anker fest.
 - 3 Bewegen Sie die Kette zum größten Ritzel und stellen Sie die untere Begrenzungsschraube so ein, dass die Kette und das größte Zahnrad vertikal ausgerichtet sind.

Hinweis! Wenn Sie die Kette nicht bis zum größten Zahnrad bewegen können, drehen Sie die untere Begrenzungsschraube gegen den Uhrzeigersinn. Dadurch kann sich die Kette in Richtung Rad bewegen.

- 4 Schalten Sie die Gänge durch und achten Sie auf einen reibungslosen Gangwechsel.

5.8 So reinigen Sie das Produkt

- Reinigen Sie das Gerät regelmäßig.
- Mit einem milden Reinigungsmittel reinigen. Verwenden Sie keine Entfettungsmittel, die in Lager und Kette eindringen und die Schmierung beeinträchtigen können.

5.9 So stellen Sie die Lenkposition ein Spannung

Hinweis! Wenn ein Spalt an der Lenksäule vorhanden oder die Lenksäule locker ist, muss die Spannung des Lenkungslagers eingestellt werden.

! Achtung! Nicht zu fest anziehen, da dies das Lager beschädigen kann.

Abbildung 9

- 1** Lösen Sie die Schrauben der Führungsschelle (A) mit einem 5-mm-Inbusschlüssel.
- 2** Drehen Sie die Zylinderkopfschraube im Uhrzeigersinn, um sie festzuziehen. Führen Sie eine Funktionsprüfung durch, um sicherzustellen, dass das Führungslager richtig angezogen ist.

Hinweis! Um den Schlupf zu überprüfen, halten Sie die Vorderradbremse fest und bewegen Sie den Lenker hin und her. Die Lenksäule darf sich nicht bewegen.

- 3** Richten Sie die Lenksäule mit dem Vorderrad aus.
- 4** Ziehen Sie die Schrauben der Lenkungsschelle fest.

6 Fehlersuche

Fehler	Ursache	Maßnahme
Die Bremsen funktionieren nicht richtig.	Der Handbremshebel ist nicht richtig eingestellt.	Handbremshebel prüfen und einstellen. Siehe „5.5 So stellen Sie den Bremshebel ein“ auf Seite 43
	Das Bremskabel ist kaputt.	Überprüfen Sie die Bremskabel, ersetzen Sie alle beschädigten Kabel. Lassen Sie die Prüfung von einem zugelassenen Servicecenter durchführen und tauschen Sie das Kabel bei Bedarf aus.
Quietschendes Fahrrad	Bewegliche Teile sind nicht richtig geschmiert.	Finden Sie heraus, woher das Geräusch kommt. Überprüfen Sie alle beweglichen Teile und Drehpunkte am Produkt. Verschlissene Teile schmieren und/oder austauschen.
Kette springt	Die Kette ist zu locker oder abgenutzt.	Kette prüfen und einstellen oder ggf. austauschen. Siehe „5.4 So passen Sie die Kette an“ auf Seite 43.
	Die Räder sind nicht richtig ausgerichtet.	Prüfen Sie die Räder und richten Sie sie neu aus. Siehe „5.3 So führen Sie eine Überprüfung von Reifen und Felgen durch“ auf Seite 42.
	Das Schaltwerk ist nicht richtig eingestellt.	Prüfen Sie die Gänge und passen Sie sie ggf. an. Siehe „5.7 So passen Sie die Gänge an“ auf Seite 43.
Schwer in die Pedale zu treten	Die Bremsen reiben.	Überprüfen Sie die Bremsen, siehe „5.6 So stellen Sie die Scheibenbremse ein“ auf Seite 43.
	Die Felgen sind beschädigt oder verformt.	Überprüfen Sie die vorderen und hinteren Felgen. Lassen Sie die Prüfung und Reparatur von einem zugelassenen Servicecenter durchführen. Beschädigte Felgen reparieren oder ersetzen.
	Der höchste Gang ist ausgewählt	Siehe „4.3 So wechseln Sie die Gänge“ auf Seite 42

7 Lagerung

Lagern Sie das Produkt an einem trockenen Ort, geschützt vor direkter Sonneneinstrahlung und Nässe.

8 Entsorgung

Achten Sie darauf, dass Sie bei der Entsorgung des Produkts die örtlichen Vorschriften einhalten. Verbrennen Sie das Produkt nicht.

9 Technische Daten

Kennzahlen	Spezifikation
Reifengröße	29 x 2,10 (54-622)
Radgröße	29"
Rahmengröße	48 cm
Gewicht	15,6 kg
Gangschaltung	Shimano Altus
Anzahl der Gänge	24
Material des Rahmens	Aluminium
Felgenmaterial	Aluminium
Aufhängung vorne	Ja
Aufhängung hinten	Nein
Vorderbremse	Scheibenbremse
Hinterradbremse (Handbremse)	Scheibenbremse
Maximale Last	110 kg

Sisällysluettelo


1 Johdanto	46
1.1 Laitteen kuvaus	46
1.2 Symbolit.....	46
1.3 Tuotteen yleiskuvas	46
2 Turvallisuus	47
2.1 Turvallisuusmääräykset.....	47
2.2 Turvaohjeet käyttöä varten	47
3 Kokoaminen	47
3.1 Asennus- ja säätötyökalut	47
3.2 Ohjaustangon kokoaminen.....	47
3.3 Satulatalpan ja satulan asentaminen.....	47
3.4 Etupyörän kokoaminen	47
3.5 Polkimien kokoaminen	48
3.6 Etu- ja takajarru	48
4 Käyttö	48
4.1 Toimenpiteet ennen käyttöä	48
4.2 Jarrujen käyttö	48
4.3 Vaihteen vaihtaminen	48
5 Huolto	49
5.1 Satulan säätäminen	49
5.2 Ketjun voitelu	49
5.3 Renkaiden ja vanteiden tarkastaminen	49
5.4 Ketjun säätäminen	49
5.5 Jarrukahvan säätäminen	49
5.6 Levyjarrun säätäminen.....	50
5.7 Vaihteiden säätäminen	50
5.8 Laitteen puhdistaminen.....	50
6 Vianetsintä	51
7 Säilyttäminen	51
8 Hävittäminen	51
9 Tekniset tiedot	51

1 Johdanto

1.1 Laitteen kuvaus

Tuote on 29":n maastopyörä, jossa on 24 vaihdetta.

1.2 Symbolit

	Lue käyttöohjeet huolellisesti ja varmista ennen tuotteen käytön aloittamista, että olet ymmärtänyt ohjeet. Säilytä ohjeet myöhempää käyttöä varten.
	Tämä tuote on siihen sovellettavien EU-direktiivien ja säännösten mukainen.
	Kierrätä käytöstä poistettu tuote voimassa olevien määräysten mukaisesti.

1.3 Tuotteen yleiskuvas

(Kuva 1)

1. Ohjaustanko
2. Vasen käsijarru
3. Vasemman käsijarrun vaijeri
4. Ohjainpidike
5. Oikean käsijarrun vaijeri
6. Oikea käsijarru
7. Oikea vaihdevipu
8. Ohjainkannatin
9. Vasen vaihdevipu
10. Runko
11. Etuheijastin (valkoinen)
12. Etupyörä
13. Levyjarru
14. Etujousitus
15. Eturattaat
16. Kampi
17. Poljin
18. Tukijalka
19. Takavaihtaja
20. Takavaihtajan suojus
21. Kasetti (takavaihteisto)
22. Pinnaheijastin
23. Takapyörä
24. Takalevyjarru
25. Takaheijastin (punainen)
26. Satulatalolppa
27. Satula

2 Turvallisuus

2.1 Turvallisuusmääräykset

! **Varoitus!** Jos näitä ohjeita ei noudateta, seurauksena voi olla kuoleman tai vammaan vaara.

! **Huomio!** Jos näitä ohjeita ei noudateta, tuote, muut materiaalit tai ympäröivä alue voivat vahingoittua.

Huom! Välttämättömiä tietoja tiettyihin tilanteisiin.

2.2 Turvaohjeet käyttöä varten

! **Varoitus!** Jos näitä ohjeita ei noudateta, seurauksena voi olla kuolema tai vammautuminen.

- Ohjeissa kerrotaan, kuinka voit ajaa turvallisesti ja pitää tuotteen hyvässä kunnossa. Lue ohjeet huolellisesti ja noudata niitä.
- Tuote on ajoneuvo. Noudata aina paikallisia liikennesääntöjä.
- Älä anna matkustajan istua tuotteen päällä.
- Käytä aina pyöräilykypärää.
- Jos on pimeää, lamput on kiinnitettävä tuotteeseen ja niitä on käytettävä. Käytä kirkkaanvärisiä vaatteita, jos mahdollista.

Huom! Etu- ja takavalot eivät sisälly tuotteen toimitukseen.

- Märällä säällä jarrun teho heikkenee. Pyöräile hitaammin ja jarruta aikaisemmin kuin kuivalla säällä.
- Älä muuta tuotetta itse.
- Älä käytä tuotetta muuhun kuin siihen, mihin se on tarkoitettu.
- Älä käytä tuotetta, jos olet väsynyt, sairaana tai alkoholin, huumeiden tai lääkkeiden vaikutuksen alainen. Nämä seikat heikentävät näkökykyäsi, valppauttasi, koordinaatiokykyäsi ja harkintakykyäsi.
- Älä anna tuotteen käyttöön perehtymättömien henkilöiden käyttää tuotetta.
- Älä käytä laitetta, jos se on vahingoittunut.
- Älä ripusta ohjaustankoon mitään, mikä voi vaikuttaa tuotteen ohjaukseen tai tarttua etupyörään.

3 Kokoaminen

3.1 Asennus- ja säätötyökalut

- Yhdistelmäavaimet, koot 13, 14, 15 mm
- Kuusiokoloavaimet, koot 5, 6 ja 8 mm
- Ruuvitaltat
- Rasvaa

3.2 Ohjaustangon kokoaminen

Kuva 2

- 1 Löysää pultit, joilla ohjauspidikkeen (A) yläosa on kiinnitetty ohjauskiinnikkeeseen. Kiinnitä ohjaustanko (B).

Huom! Varmista, että ohjaustanko on suorassa ja että jarruvaijerit on asetettu etuhaarukan oikealle puolelle. Jos vaijereita ei ole asennettu oikein, käännä ne oikeaan asentoon.

- 2 Säädä ohjaustanko sopivaan kulmaan ja kiristä pultit ristikkäin.

- 3 Varmista, että ohjauskiinnikkeen pultit (C) on kiristetty.

3.3 Satulatulpan ja satulan asentaminen

Kuva 3

- 1 Aseta satulatulpan yläosa satulan (A) alle. Varmista, että pidike on kiinnitetty oikein ja kiristä pultit.

- 2 Levitä rasvaa satulatulppaan.

- 3 Asenna satulatulppa istuintulppaan.

Huom! Varmista, että satulan vähimmäiskorkeuden merkintä on istuintulpan reunan alapuolella.

- 4 Lukitse satulatulppa sopivalle korkeudelle ja varmista, että pikalukitusvipu on lukittu (B).

3.4 Etupyörän kokoaminen

Kuva 4

Huom! Käännä tuote satula ja ohjaustanko maahan päin, jotta renkaiden ja polkimien asentaminen sujuu helpommin.

- 1 Asenna etupyörä etujousituksen haarukoiden väliin. Varmista, että etupyörä on haarukan jalkojen ja vannejarrujen välissä.
- 2 Työnnä pikalukitusakseli haarukoiden ja pyörän läpi. Kiristä pyörän akseli ja varmista, että pikalukitusvipu on kunnolla lukittu. (Kuva 4)

3.5 Polkimien kokoaminen

Huom! Asenna oikea poljin pyörän oikealle puolelle ja vasen poljin pyörän vasemmalle puolelle. Jos polkimia ei ole asennettu oikein, polkimien kierteet voivat vahingoittua.

3.5.1 Sovita oikea poljin.

Kuva 5

- 1 Käännä poljinta myötäpäivään kampivarren ketjun puolella. Katso polkimen merkintää, oikea poljin on merkitty kirjaimella "R".
- 2 Kiristä pultti 15 mm:n haka-avaimella.

3.5.2 Sovita vasen poljin.

Kuva 5

- 1 Käännä poljinta vastapäivään vastakkaisella puolella. Katso polkimen merkintää, vasen poljin on merkitty kirjaimella "L".
- 2 Kiristä pultti 15 mm:n haka-avaimella.

3.6 Etu- ja takajarru

! Varoitus! Älä käytä tuotetta, jonka jarrut eivät toimi oikein.

Tuotteessa on levyjarrut edessä ja takana.

- Säädä jarrukahvaa tarvittaessa. Katso lisätietoja kohdasta ["5.5 Jarrukahvan säätäminen" sivulla 49](#)

Huom! Ohjaustangon vasemmalla puolella oleva jarrukahva koskee etujarrua ja oikealla oleva jarrukahva takajarrua.

4 Käyttö

! Varoitus! Käytä lahjesuojusta tai vastaavaa minimoidaksesi ketjuun tai ketjupyöriin juuttumisen riski.

4.1 Toimenpiteet ennen käyttöä

- Varmista, että satulan ja ohjaustangon korkeus on säädetty oikein.
- Varmista, että tuote on kasattu siten, että siinä on jarrut ja soittokello.
- Varmista, että tuotteessa on valkoinen etuvalo ja punainen takavallo. Varmista, että valot toimivat.
- Tarkista, että tuotteen heijastimet ovat oikein asennettuja, puhtaita ja näkyvissä. Vaihda vahingoittuneet heijastimet.
- Opettele käyttämään tuotteen komponentteja ja lisävarusteita oikein. Jos et opettele käyttämään tuotteen jarruja, voit loukkaantua vakavasti.
- Varmista, että jarrut pysäyttävät pyörät, kun niitä käytetään.
- Varmista, että kaikki ruuvit ja komponentit on kiristetty ja asennettu oikein.
- Varmista, että pyörät on asennettu oikein.
- Varmista, että vanteet eivät ole vaurioituneet.
- Varmista, että renkaat ovat ehjät ja että niissä on oikea ilmanpaine. Katso renkaiden merkintää.
- Varmista, että ohjaus liikkuu oikein.

4.2 Jarrujen käyttö

- Kytke takajarru (oikea jarrukahva) ennen kuin painat etujarrua.

! Varoitus! Älä käytä etujarrua, kun käännät tuotetta tai olet liukkaalla alustalla.

4.3 Vaihteen vaihtaminen

! Huomio! Älä polje taaksepäin, kun vaihdat vaihdetta.

! Huomio! Älä runno vaihteita!

Huom! Kun vaihdat vaihdetta, älä vaihda suuresta takapyörän ketjupyörästä suoraan suureen etupyörän ketjupyörään. Jos toimit näin, ketju joutuu terävään kulmaan, jolloin vaihdetta on vaikea vaihtaa. Katso lisätietoja suositellun vaihdeyhdistelmän oppaasta .

- Käytä vasenta vaihdevipua, kun haluat vaihtaa ketjusarjan rattaiden välillä.
- Käytä oikeanpuoleista vaihdevipua, kun haluat vaihtaa kasetin eri ketjupyörien välillä.

- Vaihda pienempi vaihde ennen kuin se on välttämätöntä. Sinun on kyettävä polkemaan eteenpäin, kun vaihdat vaihdetta.
- Vaihda pienempi vaihde ennen kuin pysäytät tuotteen. Tämä helpottaa liikkeelle lähtöä.

4.3.1 Pieni vaihde

Pyörän pienin vaihde on pienin ratas edessä ja suurin hammaspyörä kasetissa. Polkeminen on kevyintä, pienin vaihde sopii ajamiseen ylämäessä.

4.3.2 Suuri vaihde

Pyörän suurin vaihde on pienin ratas edessä ja pienin hammaspyörä kasetissa. Tässä asennossa polkeminen on raskainta, tämä vaihde sopii ajamiseen alamäessä.

5 Huolto

Huom! Huoltotiheyden tulisi lisääntyä, kun tuotetta käytetään useammin tai kun tuotetta käytetään märissä tai pölyisissä olosuhteissa.

Varmista, että tuotteen käyttö on turvallista, ja käytä vain alkuperäisiä varaosia, kun vaihdat turvallisuuden kannalta soveltuvia osia.

- Anna valtuutetun huoltokeskuksen huoltaa tuote vähintään 6 kuukauden välein.
- Varmista, että kaikki ruuvit on kiristetty oikein ja että vaijerit on asennettu oikein runkoon ja että ne eivät ole vaurioituneet säätöjen jälkeen.

5.1 Satulan säätäminen

Huom! Seisontakorkeus on etäisyys maasta polkupyörän rungon yläosaan, kun sen päällä seistään.

- 1 Seiso tuotteen päällä ja mittaa vähimmäisetäisyys rungon yläosasta haaraan. Vakioetäisyys on 7,5 cm, jos tuotetta ajetaan päällystetyllä pinnalla. Kun tuotteella ajetaan maastossa, seisontaetäisyyden tulee olla 10 cm ja enintään 15 cm.
- 2 Avaa pikalukitusvipu ja säädä satulan korkeus sopivaan asentoon. Siirrä satulaa pienillä säädöillä löytääksesi oikean asennon.
- 3 Säädä satulan kulmaa tarvittaessa. Löysää satulan kiinnityspulttia, säädä satulan kulmaa ja kiristä pultti.

5.2 Ketjun voitelu

! Huomio! Älä voitele liikaa, poista ylimääräinen voiteluaine lian kertymisen estämiseksi.

Ketju on voideltava säännöllisin väliajoin. Jos ketju on kuiva, se voi ruostua ja vaurioitua.

- 1 Voitele ketju sopivalla ketjuöljyllä.
- 2 Liikuta poljinta muutama kierros, jotta öljy pääsee niveleen.
- 3 Pyyhi ketju liinalla.

5.3 Renkaiden ja vanteiden tarkastaminen

- Tarkista säännöllisesti pinnat sekä pyörät kolhujen ja vääntymien varalta.
- Tarkista säännöllisesti, etteivät renkaat ole vaurioituneet.
- Älä anna renkaan koskettaa öljyä, bensiiniä, parafiinia tai aineita, jotka voivat vahingoittaa kumia.
- Varmista, että renkaat ovat haarukoiden keskellä. Tarkista renkaan ja rungon välinen tila molemmilta puolilta. Jos se ei ole tasainen, löysää pyörän akselin mutterit ja keskitä pyörä.
- Tarkista renkaiden täyttöpaine säännöllisin väliajoin. Katso oikea täyttöpaine renkaan kyljestä. Jos täyttöpaine on annettu asteittain, käytä aina alemmaa arvoa.

5.4 Ketjun säätäminen

Huom! Jos ketjua voi liikuttaa yli 1 cm ylös tai alas, sitä on kiristettävä. Ketjua ei saa kiristää liikaa. Varmista, että voit liikuttaa sitä ylös ja alas.

- 1 Löysää takapyörän napa-akselia.
- 2 Vedä takapyörää taaksepäin ketjun venyttämiseksi.
- 3 Varmista, että takapyörä on suorassa. Kiristä taka-akselin mutterit kunnolla.
- 4 Varmista, että ketjun kireys on sopiva ja että pyörät on asennettu oikein.

5.5 Jarrukahvan säätäminen

Kuva 6

Jarru ei saa hangata vanneita vasten, kun jarrukahvaa ei paineta. Kahvaa ei saa työntää kokonaan ohjaustankoon. Jarrun tulee toimia täydellä teholla, kun jarrukahva työnnetään puoliväliin (A).

- 1 Käännä jarrukahvan säätöholkkia (B) lisätäksesi tai vähentääksesi jarrukahvan liikettä.
- 2 Jos tarvitaan suurempaa säätöä, vapauta jarruvarren vaijerilukko. Siirrä vaijeri haluttuun asentoon ja kiristä vaijerilukko kokonaan.
- 3 Jos haluat vaihtaa jarruvaijerit, ota yhteyttä huoltokeskukseen.

5.6 Levyjarrun säätäminen

Kuva 7

- Jos jarruvaijeri on irrotettu levyjarrusatulasta, löysää säätöholkin pulttia.
- Pujota vaijeri säätöholkin aukon läpi ja kiristä pultti.
- Vaihda tarvittaessa levyjarrusatulan sisällä olevan jarrupalat. Ota yhteys huoltokeskukseen.

5.6.1 Levyjarrun keskittäminen

Kuva 7

- Jos jarru ei ole keskitetty, etsi säädettävä puoli ja säädä levyjarrusatulan ruuveja (A) ja (B). Tee pieniä säätöjä, kierrä pyörää ja havainnoi, ilmeneekö hankausääniä tai kitkaa.

5.7 Vaihteiden säätäminen

Kuva 8

- A. **B-kiristysruuvi:** Vaihtajan kulman säätäminen suhteessa kasettiin.
- B. **Ylärajan ruuvi:** Säädä vaihtajaa sisäänpäin kääntämällä myötäpäivään ja säädä vaihtajaa ylöspäin kääntämällä vastapäivään.
- C. **Alarajan ruuvi:** Voit säätää rajaa, jolloin vaihtaja vaihtaa seuraavalle vaihteelle.
- D. **Holkin säädin:** Vaijerin hienosäätö.
- E. **Vaijerin kireyden säätöruuvi:** Pitää vaijerin paikoillaan ankkurissa.

- 1 Siirrä takavaihte suurimpaan numeroon, irrota takavaihtajan kaapeli kaapelin ankkuripultista ja aseta ketju pienimpään ketjupyörään.
- 2 Säädä ylärajan ruuvia niin, että ketju ja pienin ketjupyörä on kohdistettu pystysuuntaisesti. Varmista, että ketjun kireys on oikea. Liitä vaijeri uudelleen ja kiristä vaijeri ankkurissa.

- 3 Siirrä ketju suurimpaan hammaspyörään, säädä alarajan ruuvia niin, että ketju ja suurin hammaspyörä on kohdistettu pystysuuntaisesti.

Huom! Jos et pysty siirtämään ketjua suurimpaan hammaspyörään, käännä alarajan ruuvia vastapäivään. Tämä antaa ketjun liikkua pyörää kohti.

- 4 Vaihda vaihteita ja varmista, että vaihteet toimivat sujuvasti.

5.8 Laitteen puhdistaminen

- Puhdista tuote säännöllisesti.
- Puhdista miedolla pesuaineella. Älä käytä rasvanpoistotuotteita, jotka voivat tunkeutua laakereihin ja ketjuun ja häiritä voitelua.

5.9 Kuulokkeiden säätäminen jännitys

Huomaa! Jos varressa on rako tai jos varsi on löysällä, kuulokkeiden kireyttä on säädettävä.

! Huomio! Älä kiristä liikaa, koska se voi vahingoittaa laakeria.

Kuva 9

- 1 Löysää ohjaus clamp pultit (A) 5 mm:n kuusiokoloavaimella.
- 2 Kiristä sylinterinkannen pulttia myötäpäivään. Tee toimintatesti varmistaaksesi, että kuulokkeet on kiristetty kunnolla.

Huomaa! Tarkista vällys pitämällä etujarrusta kiinni ja liikuttamalla ohjaustankoa edestakaisin. Ohjaustangon varsi ei saa liikkua.

- 3 Kohdista varsi etupyörän kanssa.
- 4 Kiristä ohjaus clamp pultit.

6 Vianetsintä

Virhe	Syy	Toimenpide
Jarrut eivät toimi kunnolla.	Käsijarrukahvaa ei ole säädetty oikein.	Tarkista käsijarruvipu ja säädä. Katso lisätietoja kohdasta "5.5 Jarrukahvan säätäminen" sivulla 49
	Jarruvaajeri on katkennut.	Tarkista jarruvaajerit, vaihda katkenneet vaajerit. Anna valtuutetun huoltokeskuksen tehdä tarkastus ja vaihtaa vaajeri tarvittaessa.
Pyörä vinkuu	Liikkuvia osia ei ole voideltu kunnolla.	Selvitä, mistä ääni kuuluu. Tarkista kaikki tuotteen liikkuvat osat ja kääntöpisteet. Voitele ja/tai vaihda kuluneet osat.
Ketju hyppii	Ketju on liian löysä tai kulunut.	Tarkista ja säädä ketju tai vaihda tarvittaessa. Katso lisätietoja kohdasta "5.4 Ketjun säätäminen" sivulla 49.
	Pyöriä ei ole kohdistettu oikein.	Tarkista pyörät ja kohdista ne uudelleen. Katso lisätietoja kohdasta "5.3 Renkaiden ja vanteiden tarkastaminen" sivulla 49.
	Vaihtajaa ei ole säädetty oikein.	Tarkista ja säädä vaihteet tarvittaessa. Katso lisätietoja kohdasta "5.7 Vaihteiden säätäminen" sivulla 50.
Vaikea polkea	Jarrut hankaavat.	Tarkista jarrut, katso "5.6 Levyjarrun säätäminen" sivulla 50.
	Vanteet ovat vaurioituneet tai vääntyneet.	Tarkista etu- ja takavanteet. Anna valtuutetun huoltokeskuksen tarkastaa ja huoltaa pyörä. Korjaa tai vaihda vaurioituneet vanteet.
	Suuri vaihde on valittu	Katso lisätietoja kohdasta "4.3 Vaihteen vaihtaminen" sivulla 48

7 Säilyttäminen

Säilytä tuotetta kuivassa tilassa suojassa suoralta auringonvalolta ja kosteilta olosuhteilta.

8 Hävittäminen

Varmista, että hävität tuotteen paikallisten määräysten mukaisesti. Älä polta laitetta.

9 Tekniset tiedot

Parametrit	Tekniset tiedot
Renkaan koko	29 x 2,10 (54-622)
Pyörän koko	29"
Rungon koko	48 cm
Paino	16,6 kg
Vaihde	Shimano Tourney
Vaihteiden lukumäärä	21
Rungon materiaali	Alumiini
Vanteen materiaali	Alumiini
Jousitus edessä	Kyllä
Jousitus takana	Ei
Etujarru	Levyjarru
Takajarru (käsijarru)	Levyjarru
Enimmäiskuormitus	110 kg

Sommaire

1	Introduction	52
1.1	Description du produit.....	52
1.2	Symboles.....	52
1.3	Présentation du produit.....	52
2	Sécurité	53
2.1	Définitions relatives à la sécurité.....	53
2.2	Consignes de sécurité pour le fonctionnement.....	53
3	Assemblage	53
3.1	Outils d'assemblage et de réglage.....	53
3.2	Pour assembler le guidon.....	53
3.3	Pour installer la tige de selle et la selle.....	53
3.4	Pour assembler la roue avant.....	53
3.5	Pour assembler les pédales.....	54
3.6	Freins avant et arrière.....	54
4	Utilisation	54
4.1	À faire avant l'utilisation.....	54
4.2	Pour utiliser les freins.....	54
4.3	Pour changer de vitesse.....	54
5	Maintenance	55
5.1	Pour régler la selle.....	55
5.2	Pour lubrifier la chaîne.....	55
5.3	Pour contrôler les pneus et les jantes.....	55
5.4	Pour régler la chaîne.....	55
5.5	Pour régler la poignée de frein.....	56
5.6	Pour régler le frein à disque.....	56
5.7	Pour régler les vitesses.....	56
5.8	Pour nettoyer le produit.....	56
6	Dépannage	57
7	Stockage	57
8	Élimination	57
9	Données techniques	58

1 Introduction

1.1 Description du produit

Le produit est un VTT 29" à 24 vitesses.

1.2 Symboles

	Lisez attentivement le mode d'emploi et assurez-vous de bien comprendre les instructions avant d'utiliser le produit. Conservez ces instructions pour référence future.
	Ce produit est conforme aux directives et réglementations européennes applicables.
	Les produits mis au rebut doivent être recyclés conformément à la réglementation en vigueur.

1.3 Présentation du produit

(Figure 1)

- Guidon
- Frein gauche
- Câble de frein gauche
- Pince de serrage du guidon
- Câble de frein droit
- Frein droit
- Sélecteur de vitesse droit
- Potence de guidon
- Sélecteur de vitesse gauche
- Cadre
- Réfecteur avant (blanc)
- Roue avant
- Frein à disque
- Suspension avant
- Roue à chaîne
- Manivelle
- Pédale
- Support à vélo
- Dérailleur arrière
- Protection du dérailleur arrière
- Cassette (engrenage arrière)
- Réfecteur de rayon
- Roue arrière
- Frein à disque arrière
- Réfecteur arrière (rouge)
- Tige de selle
- Selle

2 Sécurité

2.1 Définitions relatives à la sécurité

⚠ Attention ! Le non-respect de ces instructions induit un risque de mort ou de blessure.

⚠ Attention ! Le non-respect des présentes instructions induit un risque d'endommagement du produit, des autres matériels ou de la zone adjacente.

Remarque ! Informations nécessaires dans une situation donnée.

2.2 Consignes de sécurité pour le fonctionnement

⚠ Attention ! Le non-respect de ces instructions induit un risque de mort ou de blessure.

- Les instructions décrivent comment rouler en toute sécurité et maintenir le produit en bon état. Lisez attentivement les instructions et suivez-les.
- Le produit est un véhicule. Respectez toujours le Code de la route local.
- Ne prenez pas de passager.
- Portez toujours un casque de vélo.
- S'il fait sombre, des phares doivent être fixés et utilisés sur le produit. Portez des vêtements clairs, si possible.

Remarque ! Les phares avant et arrière ne sont pas fournis avec le produit.

- Par temps humide, la puissance du frein est réduite. Pédalez plus lentement et freinez plus tôt que par temps sec.
- Ne modifiez pas le produit.
- Ne destinez pas le produit à un usage autre que celui pour lequel il est destiné.
- N'utilisez pas le produit si vous êtes fatigué(e), malade ou sous l'influence de l'alcool, de drogues ou de médicaments. Cela a un effet négatif sur votre vision, votre vigilance, votre coordination et votre jugement.
- Ne laissez personne ne connaissant pas le produit l'utiliser.
- N'utilisez pas le produit s'il est endommagé.
- N'accrochez rien au guidon qui pourrait affecter la conduite du produit ou être happé dans la roue avant.

3 Assemblage

3.1 Outils d'assemblage et de réglage

- Clés mixtes 13, 14, 15 mm.
- Clés Allen 5, 6 et 8 mm.
- Tournevis
- Graisse

3.2 Pour assembler le guidon

Figure 2

- 1 Desserrez les boulons qui maintiennent la partie supérieure de la pince de serrage (A) sur la potence du guidon. Fixez le guidon (B).

Remarque ! Veillez à ce que le guidon soit droit et à ce que les câbles de frein soient placés sur le côté droit de la fourche avant. Si les câbles ne sont pas installés correctement, faites-les pivoter dans la bonne position.

- 2 Ajustez l'angle du guidon à l'angle applicable et serrez les boulons dans un ordre croisé.
- 3 Veillez à ce que les boulons (C) sur la potence du guidon soient serrés.

3.3 Pour installer la tige de selle et la selle

Figure 3

- 1 Insérez la partie supérieure de la tige de selle sous la selle (A). Veillez à ce que la pince soit correctement fixée et serrez les boulons.

- 2 Graissez la tige de selle.

- 3 Glissez la tige de selle dans le tube de selle.

Remarque ! Veillez à ce que le marquage de la hauteur minimale sur la tige de selle se trouve en dessous du bord du tube de selle.

- 4 Verrouillez la tige de selle à la hauteur appropriée et veillez à ce que le levier de dégagement rapide soit verrouillé (B).

3.4 Pour assembler la roue avant

Figure 4

Remarque ! Pour un accès plus facile lorsque vous installez les pneus et la pédale, retournez le produit avec la selle et le guidon au sol.

- 1 Installez la roue avant entre les fourches sur la suspension avant. Veillez à ce que la roue avant soit centrée entre les bras de fourche et les freins sur jante.
- 2 Passez l'arbre à dégagement rapide à travers les fourches et la roue. Serrez l'axe de la roue, assurez-vous que le levier de dégagement rapide est correctement verrouillé. (Figure 4)

3.5 Pour assembler les pédales

Remarque ! Installez la pédale droite sur le côté droit du vélo et la pédale gauche sur le côté gauche du vélo. Si les pédales ne sont pas installées correctement, cela peut endommager les filetages des pédales.

3.5.1 Pour monter la pédale droite

Figure 5

- 1 Tournez la pédale dans le sens des aiguilles d'une montre du côté chaîne du bras de manivelle. Reportez-vous au marquage sur la pédale, la pédale droite portant la marque « R ».
- 2 Serrez le boulon avec une clé plate de 15 mm.

3.5.2 Pour monter la pédale gauche

Figure 5

- 1 Tournez la pédale dans le sens antihoraire, du côté opposé. Reportez-vous au marquage sur la pédale, la pédale gauche portant la marque « L ».
- 2 Serrez le boulon avec une clé plate de 15 mm.

3.6 Freins avant et arrière

⚠ Avertissement ! N'utilisez pas un produit dont les freins ne fonctionnent pas correctement.

Le produit dispose de freins à disque avant et arrière.

- Ajustez le levier de frein si nécessaire. Voir « 5.5 Pour régler la poignée de frein » à la page 56 <?>

Remarque ! La poignée de frein située sur le côté gauche du guidon commande le frein avant tandis que la poignée de frein située sur le côté droit commande le frein arrière.

4 Utilisation

⚠ Avertissement ! Utilisez un serre-pantalons ou tout équipement similaire pour réduire à un minimum le risque de coincement dans la chaîne ou les pignons.

4.1 À faire avant l'utilisation

- Assurez-vous que la hauteur de la selle et du guidon est correctement réglée.
- Assurez-vous que le produit est assemblé avec des freins et une sonnette.
- Assurez-vous que le produit dispose d'un feu avant avec une lumière blanche et d'un feu arrière avec une lumière rouge. Assurez-vous que les feux peuvent être allumés.
- Vérifiez que les réflecteurs du produit sont correctement installés, propres et non obscurcis. Remplacez les réflecteurs endommagés.
- Apprenez à utiliser correctement les composants et accessoires du produit. Si vous n'apprenez pas à utiliser les freins du produit, vous risquez de vous blesser gravement.
- Veillez à ce que les freins arrêtent bien les roues lorsqu'ils sont serrés.
- Veillez à ce que toutes les vis et tous les composants soient serrés et correctement installés.
- Veillez à ce que les roues soient correctement installées.
- Veillez à ce que les jantes ne soient pas endommagées.
- Veillez à ce que les pneus ne soient pas endommagés et à ce qu'ils aient la bonne pression d'air. Reportez-vous au marquage sur les pneus.
- Veillez à ce que le guidon bouge correctement.

4.2 Pour utiliser les freins

- Serrez le frein arrière (poignée de frein droite) avant de serrer le frein avant.

⚠ Avertissement ! Ne serrez pas le frein avant quand vous virez avec le produit ou roulez sur une surface glissante.

4.3 Pour changer de vitesse

⚠ Attention ! Ne rétro pédalez pas quand vous changez de vitesse.

⚠ Attention ! Ne forcez pas les vitesses !

Remarque ! Lors du changement de vitesse : ne passez directement du grand pignon arrière au grand pignon avant. Cela provoque un angle aigu de la chaîne et complique le changement de vitesse. Référez-vous au guide pour la combinaison de vitesses recommandée.

- Utilisez le sélecteur de vitesse gauche pour basculer entre les plateaux du jeu de chaînes.

- Utilisez le sélecteur de vitesse droit pour basculer entre les différents pignons de la cassette.
- Passez à une vitesse inférieure avant que ce ne soit nécessaire. Vous devez être en mesure de pédaler pour changer de vitesse.
- Passez à une vitesse inférieure avant d'arrêter le produit. Cela facilite le démarrage du vélo.

4.3.1 Vitesse inférieure

Le rapport le plus bas du vélo est le plus petit plateau à l'avant et le plus grand pignon de la cassette. Le pédalage est le plus facile. Le rapport le plus bas est adapté pour les montées.

4.3.2 Vitesse supérieure

Le rapport le plus élevé du vélo est le plus petit plateau à l'avant et le plus petit pignon de la cassette. Dans cette position le pédalage est le plus dur. Ce rapport est adapté pour les descentes.

5 Maintenance

Remarque ! La fréquence de maintenance doit augmenter si le produit est souvent utilisé ou quand le produit est utilisé dans des conditions humides ou poussiéreuses.

Veillez à ce que le produit puisse être utilisé en toute sécurité. Utilisez uniquement des pièces de rechange d'origine quand vous remplacez des pièces nécessaires à la sécurité.

- Confiez la maintenance du produit à un centre de maintenance agréé tous les 6 mois.
- Veillez à ce que toutes les vis soient correctement serrées et à ce que les câbles soient correctement installés sur le cadre et ne soient pas endommagés une fois les réglages effectués.

5.1 Pour régler la selle

Remarque ! La hauteur d'enjambement est la distance entre le sol et le haut du cadre du vélo quand on y est assis.

- 1 Enjambez le produit et mesurez la distance standard minimale depuis la partie supérieure du cadre jusqu'à l'entrejambe. La distance standard est de 7,5 cm si le produit roule sur un sol pavé. En tout-terrain, la distance à l'entrejambe doit être de 10 à 15 cm au maximum.
- 2 Ouvrez le levier de dégagement rapide et réglez la hauteur de la selle à la position appropriée. Déplacez la selle par de petits ajustements pour trouver la bonne position.

- 3 Si nécessaire, ajustez l'angle de la selle. Desserrez le boulon de fixation de la selle, réglez l'angle et serrez le boulon.

5.2 Pour lubrifier la chaîne

⚠ Attention ! Ne pas trop lubrifier, retirer l'excès de lubrifiant pour éviter l'accumulation de saleté

La chaîne doit être lubrifiée à intervalles réguliers. Si la chaîne est sèche, elle peut rouiller et s'endommager.

- 1 Lubrifiez la chaîne avec de l'huile de chaîne appropriée.
- 2 Déplacez la pédale de quelques tours pour que l'huile pénètre dans le maillon.
- 3 Essuyez la chaîne à l'aide d'un chiffon.

5.3 Pour contrôler les pneus et les jantes

- Examinez régulièrement les rayons et veillez à ce que les roues ne soient pas voilées ou déformées
- Vérifiez régulièrement que les pneus ne sont pas endommagés.
- Ne laissez pas le pneu entrer en contact avec de l'huile, de l'essence, de la paraffine ou des agents susceptibles d'endommager le caoutchouc.
- Veillez à ce que les pneus soient centrés entre les fourches. Vérifiez l'espace entre le pneu et le cadre de chaque côté. S'il n'est pas égal, desserrez les écrous de l'axe de roue et centrez la roue.
- Vérifiez régulièrement la pression de gonflage des pneus. La pression de gonflage appropriée est indiquée sur le flanc du pneu. Si la pression de gonflage est indiquée sous forme de plage, utilisez toujours la valeur la plus basse.

5.4 Pour régler la chaîne

Remarque ! Si la chaîne peut être déplacée de plus de 1 cm vers le haut ou vers le bas, elle doit être tendue. La chaîne ne doit pas être trop tendue, assurez-vous de pouvoir la déplacer de haut en bas.

- 1 Desserrez l'axe du moyeu de la roue arrière.
- 2 Tirez la roue arrière vers l'arrière pour tendre la chaîne.
- 3 Assurez-vous que la roue arrière est droite. Serrez complètement les écrous sur l'essieu arrière.

- 4** Assurez-vous que la chaîne est correctement tendue et que les roues sont bien installées.

5.5 Pour régler la poignée de frein

Figure 6

Le frein ne doit pas appuyer contre la jante quand la poignée de frein n'est pas enfoncée. La poignée ne doit pas être poussée complètement vers le guidon. Le frein doit exercer toute sa puissance lorsque la poignée de frein est poussée à mi-course (A).

- 1** Tournez le manchon de réglage (B) dans la poignée de frein pour augmenter ou réduire le mouvement de la poignée de frein.
- 2** Si un réglage plus important est nécessaire, relâchez le verrou de câble sur le bras de frein. Mettez le câble dans la position requise et serrez complètement le serre-câble.
- 3** Pour remplacer les câbles de frein, adressez-vous à votre centre de maintenance.

5.6 Pour régler le frein à disque

Figure 7

- Si le câble de frein est déconnecté de l'étrier à disque ; desserrez le boulon dans le barillet de réglage.
- Passez le fil dans le trou du barillet de réglage et serrez le boulon.
- Si nécessaire, remplacez les plaquettes de frein à l'intérieur de l'étrier. Adressez-vous à un centre de maintenance.

5.6.1 Pour centrer le frein à disque

Figure 7

- Si le frein n'est pas centré, recherchez le côté qui doit être ajusté et ajustez les vis de l'étrier de frein à disque (A) et (B). Faites de petits ajustements, faites tourner la roue et détectez tout bruit de frottement ou de friction.

5.7 Pour régler les vitesses

Figure 8

- A. Vis de tension B :** Pour régler l'angle du dérailleur par rapport à la cassette.
- B. Vis limite haute :** Tournez dans le sens horaire pour régler le dérailleur vers l'intérieur. Tournez dans le sens antihoraire pour régler le dérailleur vers le haut.
- C. Vis limite basse :** Pour régler la limite à laquelle le dérailleur doit passer à la vitesse suivante.

- D. Ajusteur à barillet :** Pour faire un réglage précis du câble.
- E. Vis de réglage de la tension du fil :** Maintient le câble à l'ancre.

- 1** Déplacez le pignon arrière vers le plus grand chiffre, débranchez le câble du dérailleur arrière du boulon d'ancrage du câble et placez la chaîne sur le pignon le plus petit.
- 2** Ajustez la vis de limite supérieure de manière à ce que la chaîne et le plus petit pignon soient alignés verticalement. Veillez à ce que la tension de la chaîne soit appropriée. Rebranchez le câble et serrez-le au niveau de l'ancrage.
- 3** Déplacez la chaîne vers le plus grand pignon, ajustez la vis de limite basse de manière à ce que la chaîne et le plus grand pignon soient alignés verticalement.

Remarque ! Si vous ne parvenez pas à déplacer la chaîne jusqu'au plus grand pignon, tournez la vis de limite inférieure dans le sens antihoraire. Cela permettra à la chaîne de se déplacer vers la roue.

- 4** Passez les vitesses et veillez à ce que les vitesses fonctionnent correctement.

5.8 Pour nettoyer le produit

- Nettoyez le produit régulièrement.
- Nettoyez à l'aide d'un détergent doux. N'utilisez pas de produits dégraissants qui pourraient pénétrer dans les roulements et la chaîne, et compromettre la lubrification.

5.9 Pour régler le roulement de direction tension

Remarque! S'il y a du jeu dans la tige de direction ou si la tige de direction est desserrée, la tension sur le roulement de direction doit être ajustée.

⚠ Attention! Ne serrez pas trop fort, car cela pourrait endommager le roulement.

Image 9

- 1** Desserrez les boulons de serrage du guidon (A) avec une clé Allen de 5 mm.
- 2** Tournez le boulon de culasse dans le sens des aiguilles d'une montre pour le serrer. Effectuez un test fonctionnel pour vous assurer que le roulement de direction est correctement serré.

Remarque! Pour vérifier le jeu, maintenez le frein avant et déplacez le guidon d'avant en arrière. La potence du guidon ne doit pas bouger.

3 Aligned la tige de direction avec la roue avant.

4 Serrez les boulons de serrage du guidon.

6 Dépannage

Erreur	Cause	Action
Les freins ne fonctionnent pas correctement.	La poignée de frein n'est pas réglée correctement	Vérifiez la poignée de frein et réglez-la. Voir « 5.5 Pour régler la poignée de frein » à la page 56
	Le câble de frein est cassé.	Vérifiez les câbles de frein, remplacez tout câble cassé. Confiez le contrôle et le remplacement du câble, si nécessaire, à un centre de maintenance agréé.
Vélo qui grince	Les pièces mobiles ne sont pas correctement lubrifiées.	Localisez d'où vient le bruit. Vérifiez toutes les pièces mobiles et les points de pivotement du produit. Lubrifiez et/ou remplacez les pièces usées.
Sauts de chaîne	La chaîne est trop lâche ou usée.	Vérifiez et ajustez la chaîne ou remplacez-la si nécessaire. Voir « 5.4 Pour régler la chaîne » à la page 55.
	Les roues ne sont pas correctement alignées.	Vérifiez les roues et réalignez-les. Voir « 5.3 Pour contrôler les pneus et les jantes » à la page 55.
	Le dérailleur n'est pas réglé correctement.	Vérifiez et ajustez les vitesses si nécessaire. Voir « 5.7 Pour régler les vitesses » à la page 56.
Difficile de pédaler	Les freins frottent.	Vérifiez les freins, voir « 5.6 Pour régler le frein à disque » à la page 56.
	Les jantes sont endommagées ou déformées.	Vérifiez les jantes avant et arrière. Demandez à un centre de maintenance agréé d'effectuer le contrôle et l'entretien. Réparez ou remplacez les jantes endommagées.
	Une vitesse supérieure est sélectionnée.	Voir « 4.3 Pour changer de vitesse » à la page 54.

7 Stockage

Remisez le produit dans un endroit frais, à l'abri de la lumière directe du soleil et de l'humidité.

8 Élimination

Veillez à respecter la réglementation locale quand vous mettez le produit au rebut. Ne brûlez pas le produit.

9 Données techniques

Paramètres	Spécifications
Taille des pneus	29 x 2,10 (54-622)
Taille des roues	29"
Taille du cadre	48 cm
Poids	16,6 kg
Dérailleur	Shimano Tourney
Nombre de vitesses	21
Matériau du cadre	Aluminium
Matériau des jantes	Aluminium
Suspension avant	Oui
Suspension arrière	Non
Frein avant	Frein à disque
Frein arrière (frein à main)	Frein à disque
Charge maximale	110 kg

Inhoudsopgave

1	Inleiding	59
1.1	Productbeschrijving.....	59
1.2	Symbolen.....	59
1.3	Productoverzicht.....	59
2	Veiligheid	60
2.1	Definities van veiligheid.....	60
2.2	Veiligheidsvoorschriften voor gebruik.....	60
3	Montage	60
3.1	Gereedschap voor montage en afstelling.....	60
3.2	De handgreep monteren.....	60
3.3	De zadelpen en het zadel installeren.....	60
3.4	Het voorwiel monteren.....	60
3.5	De pedalen monteren.....	61
3.6	Voor- en achterrem.....	61
4	Gebruik	61
4.1	Vóór gebruik doen.....	61
4.2	De remmen gebruiken.....	61
4.3	Schakelen.....	61
5	Onderhoud	62
5.1	Het zadel afstellen.....	62
5.2	De ketting smeren.....	62
5.3	Banden en velgen controleren.....	62
5.4	De ketting afstellen.....	62
5.5	De remhendel afstellen.....	63
5.6	De schijfrem afstellen.....	63
5.7	De versnellingen afstellen.....	63
5.8	Het product schoonmaken.....	63
6	Problemen oplossen	64
7	Opbergen	64
8	Afvoeren	64
9	Technische gegevens	64

1 Inleiding

1.1 Productbeschrijving

Het product is een 29" mountainbike met 24 versnellingen.

1.2 Symbolen

	Lees de gebruiksaanwijzing zorgvuldig en zorg ervoor dat u de instructies begrijpt voordat u het product gebruikt. Bewaar de instructies voor toekomstig gebruik.
	Dit product voldoet aan de geldende EU-richtlijnen en -verordeningen.
	Een afgedankt product moet worden gerecycled voor toekomstig gebruik.

1.3 Productoverzicht

(Afbeelding 1)

1. Stuur
2. Linkerrem
3. Linkerremkabel
4. Stuurklem
5. Rechterremkabel
6. Rechterrem
7. Versnellingschakelaar rechts
8. Stuurpen
9. Versnellingschakelaar links
10. Frame
11. Reflector aan de voorkant (wit)
12. Voorwiel
13. Schijfrem
14. Ophanging voor
15. Kettingwiel
16. Krukarm
17. Pedaal
18. Standaard
19. Derailleur achter
20. Beschermkap voor de derailleur achter
21. Cassette (achterversnelling)
22. Spaak reflector
23. Achterwiel
24. Schijfrem achter
25. Reflector aan de achterkant (rood)
26. Zadelpen
27. Zadel

2 Veiligheid

2.1 Definities van veiligheid

⚠ Waarschuwing. Als u zich niet aan deze voorschriften houdt, kan dat leiden tot overlijden of letsel.

⚠ Voorzichtig. Als u zich niet aan deze voorschriften houdt, kan dat leiden tot schade aan het product, overige materialen of de nabije omgeving.

Let op. Informatie die in bepaalde situaties noodzakelijk is.

2.2 Veiligheidsvoorschriften voor gebruik

⚠ Waarschuwing. Als u zich niet aan deze voorschriften houdt, kan dat leiden tot (dodelijk) letsel.

- De instructies beschrijven hoe u veilig kunt rijden en het product in goede staat kunt houden. Lees de instructies aandachtig door en volg ze op.
- Het product is een voertuig. Volg altijd de plaatselijke verkeersregels.
- Laat een passagier niet op het product zitten.
- Draag altijd een fietshelm.
- Als het donker is, moeten lichten aan het product worden bevestigd en gebruikt. Draag lichte kleding, als het mogelijk is.

Let op. Voor- en achterlichten zijn niet bij het product inbegrepen.

- Als het nat is, wordt de kracht van de rem verminderd. Fiets langzamer en rem eerder dan bij droog weer.
- Pas het product niet aan.
- Gebruik het product niet anders dan waarvoor het bedoeld is.
- Gebruik het product niet als u moe, ziek of onder invloed van alcohol, drugs of medicijnen bent. Dat heeft een negatief effect op uw gezichtsvermogen, alertheid en coördinatie- en beoordelingsvermogen.
- Laat dit product niet gebruiken door mensen die er onbekend mee zijn.
- Gebruik het product niet als het beschadigd is.
- Hang niets aan het stuur dat het sturen beïnvloedt of verstrikt raakt in het voorwiel.

3 Montage

3.1 Gereedschap voor montage en afstelling

- Steeksleutels, maat 13, 14, 15 mm
- Inbussleutels, maat 5, 6 en 8 mm
- Schroevendraaiers
- Vet

3.2 De handgreep monteren

Afbeelding 2

- 1 Draai de bouten los waarmee het bovenste gedeelte van de stuurklem (A) aan de stuurpen is bevestigd. Maak het stuur vast (B).

Let op! Zorg ervoor dat het stuur recht is en dat er remkabels aan de rechterkant van de voorvork zitten. Als de draden niet correct zijn geïnstalleerd, draait u de draden naar de juiste positie.

- 2 Stel de gewenste hoek van het stuur in en draai de bouten kruislings aan.
- 3 Controleer of de bouten (C) op de stuurpen aangedraaid zijn.

3.3 De zadelpen en het zadel installeren

Afbeelding 3

- 1 Bevestig het bovenste deel van de zadelpen onder het zadel (A). Controleer of de klem juist is bevestigd en draai de bouten aan.
- 2 Doe vet op de zadelpen.
- 3 Monteer de zadelpen in de zetelbuis.

Let op. Zorg ervoor dat de markering voor minimale hoogte op de zadelpen zich onder de rand van de zetelbuis bevindt.

- 4 Vergrendel de zadelpen op de toepasselijke hoogte, zorg ervoor dat de snelspanhendel is vergrendeld (B).

3.4 Het voorwiel monteren

Afbeelding 4

Let op. Om gemakkelijker toegang te krijgen wanneer u de banden en het pedaal monteert, draait u het product met het zadel en het stuur naar beneden op de grond.

- 1 Installeer het voorwiel tussen de vorken op de voorwielophanging. Zorg ervoor dat het voorwiel gecentreerd is tussen de vorkpoten en de velgremmen.
- 2 Haal de snelspanner door de vorken en het wiel. Draai de wielas vast, zorg ervoor dat de snelspanhendel correct is vergrendeld. (Afbeelding 4)

3.5 De pedalen monteren

Let op. Installeer het rechterpedaal aan de rechterkant van de fiets en het linkerpedaal aan de linkerkant van de fiets. Als de pedalen niet correct zijn geïnstalleerd, kan dit schade aan de schroefdraad op de pedalen veroorzaken.

3.5.1 Om het juiste pedaal te monteren

Afbeelding 5

- 1 Draai het pedaal met de klok mee aan de kettingzijde van de krukarm. Raadpleeg de markering op het pedaal: het rechterpedaal is gemarkeerd met 'R'.
- 2 Draai de bout vast met een 15 mm haaksleutel.

3.5.2 Om op het linkerpedaal te passen

Afbeelding 5

- 1 Draai het pedaal tegen de klok in, aan de andere kant. Raadpleeg de markering op het pedaal: het linkerpedaal is gemarkeerd met 'L'.
- 2 Draai de bout vast met een 15 mm haaksleutel.

3.6 Voor- en achterrem.

⚠ Waarschuwing! Gebruik geen product met remmen die niet goed werken.

Het product heeft een voor- en achterrem.

- Stel indien nodig de remhendel af. Zie '[5.5 De remhendel afstellen](#)' op pagina 63

Let op! De remhendel aan de linkerkant van het stuur geldt voor de voorrem en de remhendel aan de rechterkant geldt voor de achterrem.

4 Gebruik

⚠ Waarschuwing! Gebruik een beenband of soortgelijke uitrusting om het risico op beknelling in de ketting of tandwielen te minimaliseren.

4.1 Vóór gebruik doen

- Zorg ervoor dat de hoogte van het zadel en het stuur correct zijn afgesteld.
- Zorg ervoor dat het product is gemonteerd met remmen en een bel.
- Zorg ervoor dat het product een voorlicht heeft met een wit licht en een achterlicht met een rood licht. Zorg ervoor dat de lampen kunnen branden.
- Controleer of de reflectoren van het product correct zijn geïnstalleerd, schoon zijn en niet worden verduisterd. Vervang beschadigde reflectoren.
- Leer hoe u de componenten en accessoires op het product correct gebruikt. Als u niet leert hoe u de remmen van het product moet gebruiken, kunt u ernstig letsel oplopen.
- Zorg ervoor dat de remmen de wielen stoppen wanneer ze worden gebruikt.
- Zorg ervoor dat alle schroeven en componenten zijn vastgedraaid en correct zijn geïnstalleerd.
- Zorg ervoor dat de wielen correct zijn geïnstalleerd.
- Zorg ervoor dat de velgen niet beschadigd zijn.
- Zorg ervoor dat de banden niet beschadigd zijn en dat ze de juiste luchtdruk hebben. Raadpleeg de markering op de banden.
- Zorg ervoor dat de besturing correct beweegt.

4.2 De remmen gebruiken

- Trek de achterrem (rechter remhendel) aan voordat u de voorrem intrekt.

⚠ Waarschuwing! Trek de voorrem niet aan wanneer u het product draait of op een gladde ondergrond.

4.3 Schakelen

⚠ Voorzichtig! Trap niet achteruit als u van versnelling verandert.

⚠ Voorzichtig. Forceer de versnellingen niet!

Let op! Wissel bij het schakelen niet direct van het grote achtertandwiel naar het grote voortandwiel. Hierdoor staat de ketting onder een scherpe hoek en is het moeilijk om te schakelen. Raadpleeg de gids voor de aanbevolen versnellingscombinatie.

- Gebruik de schakelaar aan de linkerkant om te schakelen tussen de kettingringen op de kettingset.

- Gebruik de schakelaar aan de rechterkant om te schakelen tussen de verschillende tandwielen op de cassette.
- Schakel naar een lagere versnelling voordat dat nodig is. U moet vooruit kunnen trappen wanneer u schakelt.
- Schakel naar een lagere versnelling voordat u het product stopt. Zo kunt u de fiets eenvoudiger starten.

4.3.1 Lage versnelling

De laagste versnelling op de fiets is de kleinste kettingring aan de voorkant en het grootste tandwiel op de cassette. Trappen is het gemakkelijkst; de laagste versnelling is geschikt voor bergopwaarts fietsen.

4.3.2 Hoge versnelling

De grootste versnelling op de fiets is de kleinste kettingring aan de voorkant en het kleinste tandwiel op de cassette. In deze positie is trappen het zwaarst; deze versnelling is geschikt voor bergafwaarts fietsen.

5 Onderhoud

Let op. De onderhoudsfrequentie moet toenemen wanneer het product vaker wordt gebruikt of wanneer het product in natte of stoffige omstandigheden wordt gebruikt.

Zorg ervoor dat het product veilig te gebruiken is door alleen originele reserveonderdelen te gebruiken wanneer u onderdelen vervangt die van toepassing zijn voor de veiligheid.

- Laat een erkend servicecentrum ten minste elke 6 maanden onderhoud aan het product uitvoeren.
- Zorg ervoor dat alle schroeven correct zijn vastgedraaid en dat de draden correct op het frame zijn geïnstalleerd en niet beschadigd zijn nadat aanpassingen zijn gemaakt.

5.1 Het zadel afstellen

Let op. De stahoogte is de afstand van de grond tot de bovenkant van het frame van de fiets als u er overheen staat.

- 1 Ga over de fiets heen staan en meet de standaard minimale speling vanaf de bovenkant van het frame tot het kruis. De standaardspeling is 7,5 cm als het product op verharde grond wordt gebruikt. Als u het product op andere grond gebruikt, moet de speling tussen de 10 en 15 cm zijn.
- 2 Open de snelspanhendel en stel de hoogte van het zadel in op de betreffende positie. Verplaats het zadel met kleine aanpassingen om de juiste positie te vinden.

- 3 Pas indien nodig de hoek van het zadel aan. Draai de bout los waarmee het zadel vastzit, pas de hoek aan en draai de bout aan.

5.2 De ketting smeren

⚠ Voorzichtig. Niet te veel smeren, overtollig smeermiddel verwijderen om vuilophoping te voorkomen

De ketting moet regelmatig worden gesmeerd. Als de ketting droog is, kan deze roesten en beschadigd raken.

- 1 Smeer de ketting met geschikte kettingolie.
- 2 Draai het pedaal een paar slagen om de olie in de schakel te laten lopen.
- 3 Veeg de ketting af met een doek.

5.3 Banden en velgen controleren

- Controleer regelmatig de spaken en of de wielen niet gebogen of vervormd zijn.
- Controleer regelmatig of de banden niet beschadigd zijn.
- Laat de band niet in contact komen met olie, benzine, paraffine of middelen die het rubber kunnen beschadigen.
- Zorg ervoor dat de banden gecentreerd zijn tussen de vorken. Controleer aan beide kanten de ruimte tussen de band en het frame. Als de ruimte niet gelijk is, draait u de asbouten van het wiel los en centreert u het wiel.
- Controleer regelmatig de bandenspanning. Raadpleeg de zijkant van de band voor de juiste bandenspanning. Als voor de bandenspanning een interval wordt aangegeven, gebruik dan altijd de lagere waarde.

5.4 De ketting afstellen

Let op! Als de ketting meer dan 1 cm omhoog of omlaag kan worden bewogen, moet deze worden gespannen. De ketting mag niet te gespannen zijn, zorg ervoor dat u hem op en neer kunt bewegen.

- 1 Draai de naaf van het achterwiel los.
- 2 Trek het achterwiel naar achteren om de ketting uit te rekken.
- 3 Zorg ervoor dat het achterwiel recht staat. Draai de moeren op de achteras volledig vast.
- 4 Zorg ervoor dat de ketting de juiste spanning heeft en dat de wielen correct zijn gemonteerd.

5.5 De remhendel afstellen

Afbeelding 6

De rem mag niet tegen de velg komen als de remhendel niet wordt ingedrukt. De handgreep mag niet volledig tegen het stuur worden geduwd. De rem moet vol vermogen worden uitgeoefend wanneer de remhendel half wordt ingedrukt (A).

- 1 Draai de stelhuls (B) in de remhendel om de beweging van de remhendel te vergroten of te verminderen.
- 2 Als een grotere afstelling nodig is, ontgrendel dan de draadvergrendeling op de remarm. Verplaats de draad naar de gewenste positie en draai de draadvergrendeling volledig vast.
- 3 Neem contact op met uw servicecentrum om de remkabels te vervangen.

5.6 De schijfrem afstellen

Afbeelding 7

- Als de remkabel los van de schijfremklauw is, draait u de bout in de stelbeugel los.
- Haal de kabel door het gat in de stelbeugel en draai de bout aan.
- Vervang indien nodig de remblokken binnen de klauw. Raadpleeg een servicecentrum.

5.6.1 De schijfrem centreren

Afbeelding 7

- Als de rem niet gecentreerd is, stelt u vast welke kant moet worden bijgesteld en stelt u de schroeven van de schijfremklauw (A) en (B) af. Doe kleine aanpassingen, draai het wiel en luister naar signalen van schuren of frictie.

5.7 De versnellingen afstellen

Afbeelding 8

- A. **B-spansschroef:** Voor het aanpassen van de hoek van de derailleur ten opzichte van de cassette.
- B. **Bovengrensschroef:** Draai met de klok mee om de derailleur naar binnen af te stellen; draai tegen de klok in om de derailleur omlaag af te stellen.
- C. **Ondergrensschroef:** Voor het afstellen van de grens wanneer de derailleur moet overgaan op de volgende versnelling.
- D. **Beugelafsteller:** Voor fijnafstelling van de kabel.
- E. **Stelschroef kabelspanning:** Houdt de kabel bij het anker.

- 1 Verplaats de achterversnelling naar het hoogste getal, maak de achterderailleurkabel los van de kabelbevestigingsbout en plaats de ketting op het kleinste tandwiel.
- 2 Stel de bovengrens dusdanig af dat de ketting en het kleinste tandwiel verticaal uitgelijnd zijn. Controleer of de spanning op de kabel correct is. Verbind de kabel opnieuw en draai de kabel bij het anker aan.
- 3 Verplaats de ketting naar het grootste tandwiel en stel de ondergrensschroef dusdanig af dat de ketting en het grootste tandwiel verticaal uitgelijnd zijn.

Let op: Als u de ketting niet naar het grootste tandwiel kunt verplaatsen, draait u de ondergrensschroef tegen de klok in. Zo kunt u de ketting in de richting van het wiel verplaatsen.

- 4 Schakel door de versnellingen en zorg ervoor dat de versnellingen soepel werken.

5.8 Het product schoonmaken

- Maak het product regelmatig schoon.
- Reinig met een mild schoonmaakmiddel. Gebruik geen ontvettingsproducten die de lagers en ketting kunnen binnendringen en de smering kunnen verstoren.

5.9 Om het stuurhuis aan te passen spanning

Let op! Als er speling in het stuurkolom zit of als de stuurkolom los zit, moet de spanning van het stuurlager worden aangepast.

⚠ Voorzichtig! Dra niet te strak aan, omdat dit het lager kan beschadigen.

Afbeelding 9

- 1 Draai de stuurstangklembouten (A) los met een 5 mm inbussleutel.
- 2 Dra de bovenkant van de bout met de klok mee om deze aan te spannen. Voer een functionstest uit om te controleren of het stuurlager correct is vastgedraaid.

Let op! Om u de speling wilt controleren, houdt dan de voorrem ingedrukt en beweegt het stuur heen en weer. De stuurkolom mag niet bewegen.

- 3 Stel de stuurkolom uit op één lijn met het voorwiel.
- 4 Draai de stuurklem bouten aan.

6 Problemen oplossen

Fout	Oorzaak	Actie
Remmen werken niet goed.	De handremhendel is niet goed afgesteld.	Controleer de handremhendel en stel deze af. Zie ' 5.5 De remhendel afstellen ' op pagina 63
	Remkabel is gebroken.	Controleer de remkabels, vervang eventuele gebroken draden. Laat een erkend servicecentrum de controle uitvoeren en vervang de draad indien nodig.
Piepende fiets	Bewegende delen zijn niet goed gesmeerd.	Zoek waar het geluid vandaan komt. Controleer alle bewegende delen en draaipunten op het product. Smeer en/of vervang versleten onderdelen.
Ketting slaat over	Ketting zit te los of is versleten.	Controleer en stel de ketting af of vervang deze indien nodig. Zie ' 5.4 De ketting afstellen ' op pagina 62.
	Wielen zijn niet goed uitgelijnd.	Controleer de wielen en lijn ze opnieuw uit. Zie ' 5.3 Banden en velgen controleren ' op pagina 62.
	De derailleur is niet correct afgesteld.	Controleer de versnelling en pas ze indien nodig aan. Zie ' 5.7 De versnellingen afstellen ' op pagina 63.
Moeilijk te trappen	De remmen wrijven.	Controleer de remmen; zie ' 5.6 De schijfrem afstellen ' op pagina 63.
	De velgen zijn beschadigd of vervormd.	Controleer de voor- en achtervelgen. Laat een erkend servicecentrum de controle uitvoeren en voer de service uit. Repareer of vervang beschadigde velgen.
	Hoge versnelling is geselecteerd.	Zie ' 4.3 Schakelen ' op pagina 61

7 Opbergen

Berg het product op een droge plaats op, waar het beschermd is tegen direct zonlicht en vochtige omstandigheden.

8 Afvoeren

Volg de lokale voorschriften wanneer u het product weggooit. Verbrand het product niet.

9 Technische gegevens

Parameters	Specificaties
Bandenmaat	29 x 2,10 (54-622)
Wielmaat	29"
Framemaat	48 cm
Gewicht	16,6 kg
Versnelling	Shimano Tourney
Aantal versnellingen	21
Materiaal frame	Aluminium
Materiaal velg	Aluminium
Ophanging voor	Ja
Vering achter	Nee
Voorrem	Schijfrem
Achterrem (Handrem)	Schijfrem
Maximale belasting	110 kg

KAYOBA

www.jula.com