



BENCH GRINDER

OPERATING INSTRUCTIONS - Original instructions

SV BÄNKSLIPMASKIN BRUKSANVISNING

Översättning av originalinstruktioner

DE TISCHSCHLEIFMASCHINE BEDIENUNGSANLEITUNG

Übersetzung der Originalanleitung

NO BENKSLIPEMASKIN BETJENINGSANVISNINGER

Oversettelse av originalinstruksjonene

FI PÖYTÄHIOMAKONE KÄYTTÖOHJE

Alkuperäisten ohjeiden käännös

DA BÆNKSLIBER BETJENINGSVEJLEDNING

Oversættelse af den originale vejledning

FR TOURET À MEULER INSTRUCTIONS D'UTILISATION

Traduction des instructions d'origine

PL SZLIFIERKA STOŁOWA INSTRUKCJA OBSŁUGI

Przekład instrukcji oryginalnej

NL WERKBANKSLIIPMACHINE BEDIENINGSINSTRUCTIES

Vertaling van de originele instructies

Jula AB förbehåller sig rätten att göra ändringar på produkten. Jula AB innehar upphovsrätten till denna dokumentation. Det är inte tillåtet att modifiera eller ändra denna dokumentation på något sätt och bruksanvisningen ska skrivas ut och användas som den är i förhållande till produkten. Se Julas webbplats för den senaste versionen av bruksanvisningen.

Jula AB forbeholder seg retten til å endre produktet. Jula AB innehar opphavsretten til denne dokumentasjonen. Det er ikke tillatt å modifisere eller endre denne dokumentasjonen på noen som helst måte, og håndboken skal trykkes og brukes som den er i forhold til produktet. For siste versjon av betjeningsanvisningene, se Julas nettsider.

Jula AB forbeholder sig retten til at ændre produktet. Jula AB har ophavsretten til denne dokumentation. Det er ikke tilladt at modificere eller ændre denne dokumentation på nogen måde, og manualen skal printes og bruges som den er i forhold til produktet. For den seneste version af betjeningsvejledningen, se Julas hjemmeside.

Jula AB zastrzega sobie prawo do wprowadzania zmian w produkcie. Jula AB zastrzega sobie prawa autorskie do niniejszej dokumentacji. Dokumentacji nie wolno w żaden sposób modyfikować ani zmieniać, a instrukcję należy drukować i używać ją w odniesieniu do produktu w stanie niezmienionym. Najnowszą wersję instrukcji obsługi można znaleźć na stronie internetowej Jula.

Jula AB reserves the right to make changes to the product. Jula AB claims copyright on this documentation. It is not allowed to modify or alter this documentation in any way and the manual shall be printed and used as it is in relation to the product. For the latest version of operating instructions, refer to the Jula website.

Jula AB behält sich das Recht vor, Änderungen am Produkt vorzunehmen. Jula AB beansprucht die Urheberrechte an dieser Dokumentation. Es ist nicht zulässig, diese Dokumentation in irgendeiner Weise zu verändern oder umzugestalten. Die Anleitung muss gedruckt und so verwendet werden, wie sie in Bezug zum Produkt steht. Die aktuellste Version der Bedienungsanleitung finden Sie auf der Website von Jula.

Jula AB pidättää oikeuden tehdä tuoteeseen muutoksia. Jula AB:llä on tämän dokumentaation tekijänoikeus. Tätä dokumentaatiota ei saa muuttaa millään tavalla ja käyttöopas on tulostettava ja sitä on käytettävä sellaisena kuin se on tämän tuotteen kanssa. Käyttöohjeiden uusin versio löytyy Julan verkkosivustolta.

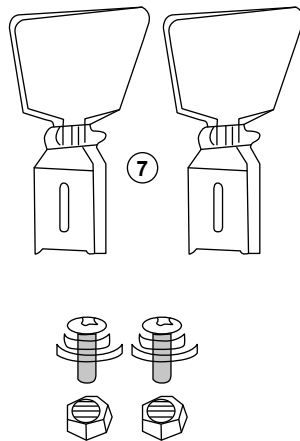
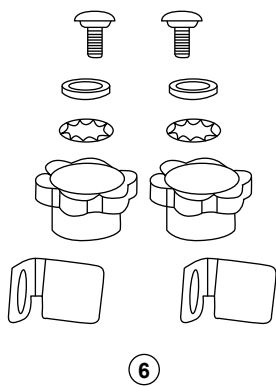
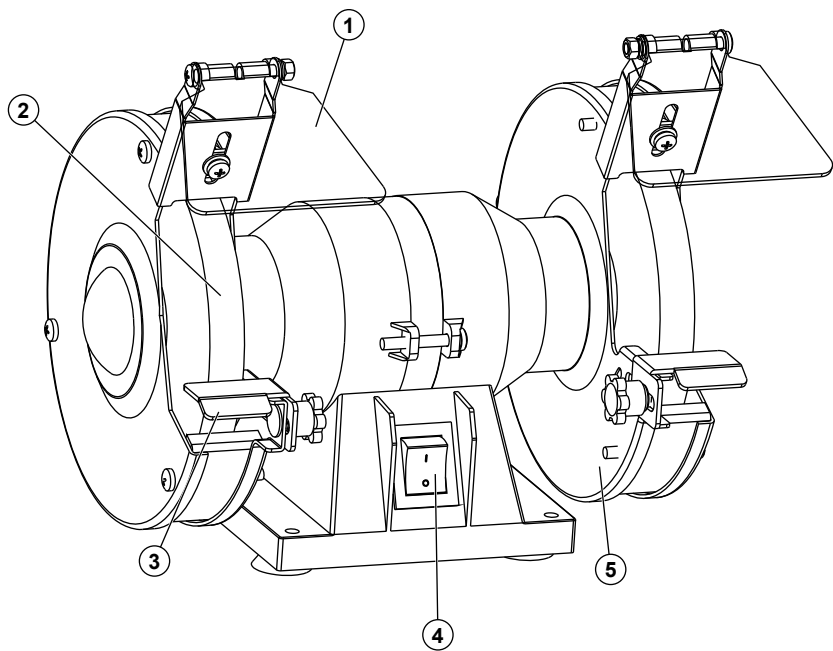
Jula AB se réserve le droit d'apporter des modifications au produit. Jula AB revendique les droits d'auteur sur cette documentation. Il est interdit de modifier ou d'altérer cette documentation de quelque manière que ce soit et le manuel doit être imprimé et utilisé tel quel en relation avec le produit. Pour obtenir la dernière version des instructions d'utilisation, consultez le site Web de Jula.

Jula AB behoudt zich het recht voor om wijzigingen aan het product aan te brengen. Jula AB claimt het copyright op deze documentatie. Het is niet toegestaan om deze documentatie op welke manier dan ook te wijzigen of te veranderen. De handleiding moet worden afgedrukt en gebruikt zoals deze in relatie tot het product staat. Raadpleeg de Jula-website voor de laatste versie van de bedieningsinstructies.

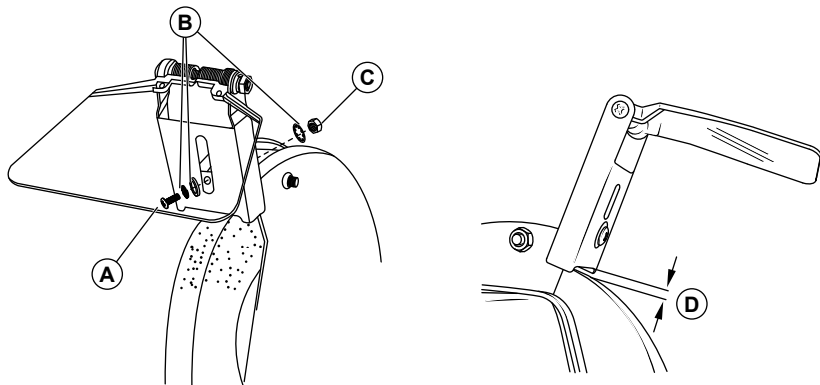
WWW.JULA.COM

© JULA AB 2025-11-03

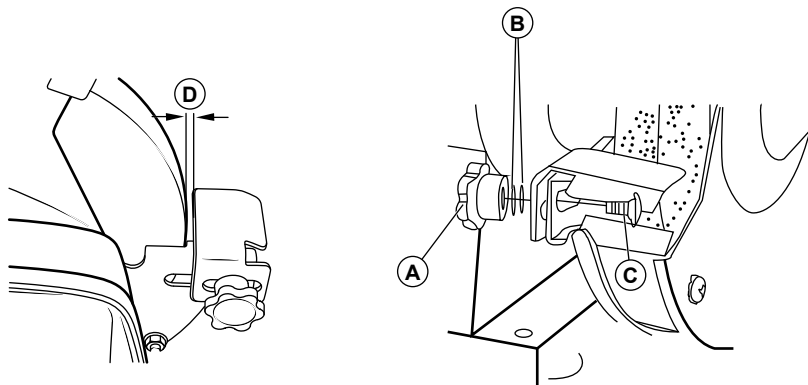
**JULA AB
BOX 363, 532 24 SKARA, SWEDEN**



2



3



4

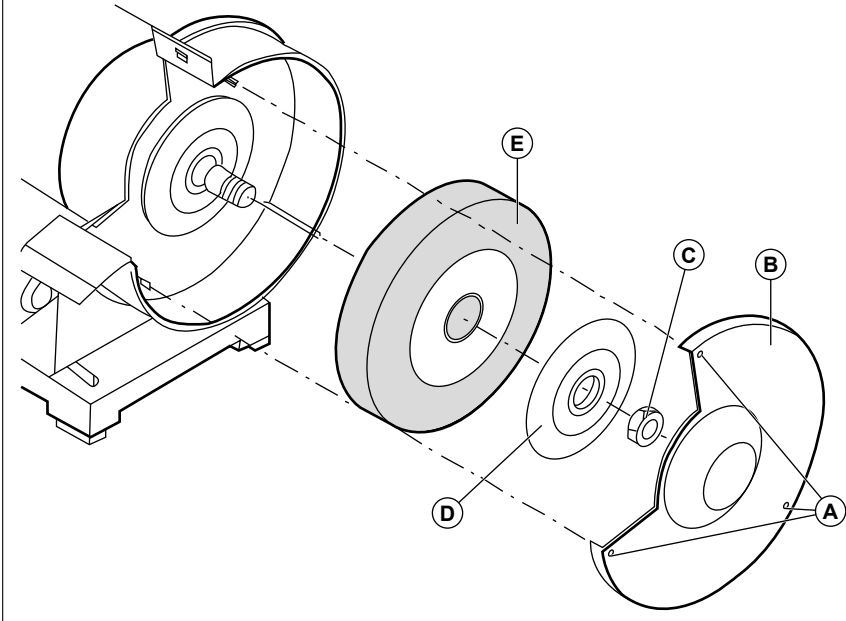


Table of contents



1 Introduction	6
1.1 Product description.....	6
1.2 Symbols.....	6
1.3 Product overview.....	6
2 Safety	6
2.1 Safety definitions.....	6
2.2 General safety instructions.....	7
2.3 Work area safety.....	7
2.4 Electrical safety.....	7
2.5 Personal safety.....	7
2.6 Power tool use and care.....	7
2.7 Service.....	8
2.8 Bench grinder safety warnings.....	8
3 Installation	8
3.1 To install the product.....	8
4 Assembly	8
4.1 To assemble the protection screens.....	8
4.2 To assemble the tool rests.....	8
5 Operation	8
5.1 To do before you operate the product.....	8
5.2 To start and stop the product.....	8
5.3 To operate the product.....	9
6 Maintenance	9
6.1 To replace the grinding wheels.....	9
7 Storage	9
8 Disposal	9
8.1 To discard the product.....	9
9 Technical data	9
10 Troubleshooting	10

1 Introduction

1.1 Product description

Bench grinder with 2 grinding wheels.

1.2 Symbols

	Read the operating instructions carefully and make sure that you understand the instructions before you use the product. Save the instructions for future reference.
	Wear eye protection.
	Wear breathing mask.
	This product complies with applicable EU directives and regulations.
	Recycle as electrical waste.

1.3 Product overview

Figure 1

1. Protection screen
2. Grinding wheel
3. Tool rest
4. ON/OFF button
5. Guard
6. Tool rest assembly kit
7. Protection screen assembly kit

2 Safety

2.1 Safety definitions

Warning! If you do not obey these instructions, there is a risk of death or injury.

Caution! If you do not obey these instructions, there is a risk of damage to the product, other materials or the adjacent area.

Note! Information that is necessary in a given situation.

2.2 General safety instructions

Warning! Read all safety warnings, instructions, illustrations and specifications provided with this power tool. Failure to follow all instructions listed below may result in electric shock, fire and/or serious injury.

Note! The term "power tool" in the warnings refers to your mains-operated (corded) power tool or battery-operated (cordless) power tool.

- Save all warnings and instructions for future reference.
- Do not use the product if you are tired, ill or under the influence of alcohol, drugs or medicine. This has a negative effect on your vision, alertness, coordination and judgement.
- Do not allow any children or anyone who is unfamiliar with the product to use it.
- Do not use the product if it is damaged.
- Do not modify the product.
- The product must only be used for its intended purpose.

2.3 Work area safety

- Keep work area clean and well lit. Cluttered or dark areas invite accidents.
- Do not operate power tools in explosive atmospheres, such as in the presence of flammable liquids, gases or dust. Power tools create sparks which may ignite the dust or fumes.
- Keep children and bystanders away while operating a power tool. Distractions can cause you to lose control.

2.4 Electrical safety

- Power tool plugs must match the outlet. Never modify the plug in any way. Do not use any adapter plugs with earthed (grounded) power tools. Unmodified plugs and matching outlets will reduce risk of electric shock.
- Avoid body contact with earthed or grounded surfaces, such as pipes, radiators, ranges and refrigerators. There is an increased risk of electric shock if your body is earthed or grounded.
- Do not expose power tools to rain or wet conditions. Water entering a power tool will increase the risk of electric shock.

2.5 Personal safety

- Stay alert, watch what you are doing and use common sense when operating a power tool. Do not use a power tool while you are tired or under the influence of drugs,

alcohol or medication. A moment of inattention while operating power tools may result in serious personal injury.

- Use personal protective equipment. Always wear eye protection. Protective equipment such as a dust mask, non-skid safety shoes, hard hat or hearing protection used for appropriate conditions will reduce personal injuries.
 - Prevent unintentional starting. Ensure the switch is in the off-position before connecting to power source and/or battery pack, picking up or carrying the tool. Carrying power tools with your finger on the switch or energising power tools that have the switch on invites accidents.
 - Remove any adjusting key or wrench before turning the power tool on. A wrench or a key left attached to a rotating part of the power tool may result in personal injury.
 - Do not overreach. Keep proper footing and balance at all times. This enables better control of the power tool in unexpected situations.
 - Dress properly. Do not wear loose clothing or jewellery. Keep your hair and clothing away from moving parts. Loose clothes, jewellery or long hair can be caught in moving parts.
 - If devices are provided for the connection of dust extraction and collection facilities, ensure these are connected and properly used. Use of dust collection can reduce dust-related hazards.
 - Do not let familiarity gained from frequent use of tools allow you to become complacent and ignore tool safety principles. A careless action can cause severe injury within a fraction of a second.
- ## 2.6 Power tool use and care
- Do not force the power tool. Use the correct power tool for your application. The correct power tool will do the job better and safer at the rate for which it was designed.
 - Do not use the power tool if the switch does not turn it on and off. Any power tool that cannot be controlled with the switch is dangerous and must be repaired.
 - Disconnect the plug from the power source and/or remove the battery pack, if detachable, from the power tool before making any adjustments, changing accessories, or storing power tools. Such preventive safety measures reduce the risk of starting the power tool accidentally.
 - Store idle power tools out of the reach of children and do not allow persons unfamiliar with the power tool or these instructions to operate the power tool. Power tools are

dangerous in the hands of untrained users.

- Maintain power tools and accessories. Check for misalignment or binding of moving parts, breakage of parts and any other condition that may affect the power tool's operation. If damaged, have the power tool repaired before use. Many accidents are caused by poorly maintained power tools.
- Keep cutting tools sharp and clean. Properly maintained cutting tools with sharp cutting edges are less likely to bind and are easier to control.
- Use the power tool, accessories and tool bits etc. in accordance with these instructions, taking into account the working conditions and the work to be performed. Use of the power tool for operations different from those intended could result in a hazardous situation.
- Keep handles and grasping surfaces dry, clean and free from oil and grease. Slippery handles and grasping surfaces do not allow for safe handling and control of the tool in unexpected situations.

2.7 Service

- Have your power tool serviced by a qualified repair person using only identical replacement parts. This will ensure that the safety of the power tool is maintained.

2.8 Bench grinder safety warnings

- Do not use a damaged accessory. Before each use, inspect the accessory such as abrasive wheels for chips and cracks. After inspecting and installing an accessory, position yourself and bystanders away from the plane of the rotating accessory and run the power tool at maximum no-load speed for one minute. Damaged accessories will normally break apart during this test time.
- The rated speed of the accessory must be at least equal to the maximum speed marked on the power tool. Accessories running faster than their rated speed can break and fly apart.
- Never grind on the sides of a grinding wheel. Grinding on the side can cause the wheel to break and fly apart.

3 Installation

3.1 To install the product

- Install the product on a work bench or a machine stand with 4 x Ø6 mm bolts.

4 Assembly

4.1 To assemble the protection screens

- 1 Attach the protection screen bracket to the guard with the bolt (A), the washers (B) and the nut (C). (Figure 2)
- 2 Make sure that the distance (D) between the grinding wheel and the bottom of the bracket is no more than 2 mm.

Note! Adjust the distance regularly as the distance will increase when the grinding wheel wears down.

4.2 To assemble the tool rests

- 1 Hold the tool rest on to the rail on the guard.
- 2 Install the knob (A), the washers (B) and the bolt (C). (Figure 3)
- 3 Make sure that the distance (D) between the grinding wheel and the tool rest is no more than 2 mm.

Note! Adjust the distance regularly as the distance will increase when the grinding wheel wears down.

- 4 Make sure that there is an 85° angle between the tool rest and the tangent of the grinding wheel.

5 Operation

5.1 To do before you operate the product

- Install the product. Refer to ["3.1 To install the product" on page 8](#).
- Install the protection screens. Refer to ["4.1 To assemble the protection screens" on page 8](#).
- Assemble the tool rests. Refer to ["4.2 To assemble the tool rests" on page 8](#).
- Make sure that the grinding wheels can move freely.

5.2 To start and stop the product

- 1 Connect the power plug to the power outlet.
- 2 Set the ON/OFF button to the "I" position to start the product.
- 3 Set the ON/OFF button to the "0" position to stop the product.

5.3 To operate the product

Warning! Do not use a damaged or too worn grinding wheel.

- 1 Hold the workpiece with both hands and support it on the tool rest.
- 2 Push the workpiece against the grinding wheel.

6 Maintenance

Warning! Stop the product, disconnect the power plug from the power outlet and let the product become cool before you clean or do maintenance on it.

Caution! Do not use abrasive or solvent-based solutions to clean plastic parts.

- Remove dirt and debris from the product after each use.
- Clean the product with a dry cloth.
- Examine the product for wear and damage. Replace damaged parts or contact an authorized service center.

6.1 To replace the grinding wheels

The grinding wheels must be replaced if the maximum distance of 2 mm from the tool support to the grinding wheel has been exceeded, or if the grinding wheel has been damaged.

- 1 Stop the product and disconnect it from the power outlet.
- 2 Remove the 3 screws (A) and the guard (B). (Figure 4)
- 3 Remove the nut (C) from the spindle.

Note! The nut on the right side of the product is right-hand threaded. The nut on the left side of the product is left-hand threaded

- 4 Remove the flange (D).
- 5 Replace the grinding wheel (E).
- 6 Move the grinding wheel by hand to make sure it moves freely.
- 7 Install in the opposite sequence.
- 8 Start the product and let it run for 1 minute with no load.

7 Storage

Warning! Keep the product in an area inaccessible to children.

- Clean the product. Refer to "[6 Maintenance](#)" on page 9.
- Keep the product in a dry, frost-free area in an ambient temperature of 10–30°C.
- Put the product in the original packaging or cover it with a cloth to protect from dust.

8 Disposal

8.1 To discard the product

- Make sure that you follow local regulations when you discard the product. Do not burn the product.

9 Technical data

Specification	Value
Voltage	230 V ~ 50 Hz
Power	105 W S1/150 W S6 40%
Speed	2980/min
Disc diameter	125 mm
Hole diameter	16 mm
Disc thickness	12.7 mm
Dimensions	28.5 x 18.5 x 20.5 cm
Weight	5 kg
Noise levels¹	
Sound pressure level, LpA	82.7 dB(A), K=3 dB
Sound power level, LwA	95.7 dB(A), K=3 dB

Warning! Always wear hearing protection!

Warning! The actual vibration and noise level when using tools may differ from the specified maximum value, depending on how the tool is used and the material. It is therefore necessary to determine which safety precautions are required to protect the user, based on an estimate of exposure in actual operating conditions (taking into account all stages of the work cycle, e.g. the time when the tool is switched off and when it is idling, in addition to the start-up time).

¹ The declared values for vibration and noise, which have been measured according to a standardized test method, can be used to compare different tools with each other and for a preliminary assessment of exposure. The measurement values have been determined in accordance with EN 62841-3-4:2016.

10 Troubleshooting

Problem	Cause	Action
The product does not start.	The product is not connected to the power outlet.	Connect the power cable to the power outlet.
	The power cable or plug is damaged.	Contact an authorized electrician for repairs.
	Other electrical fault.	Contact an authorized electrician for repairs.
The product does not reach full power.	If an extension cable is used, make sure it is the correct type.	Use a correct extension cable.
	The power source has too low voltage.	Connect the product to another power source.

Innehållsförteckning

1 Inledning	11
1.1 Produktbeskrivning	11
1.2 Symboler	11
1.3 Produktöversikt	11
2 Säkerhet	11
2.1 Säkerhetsdefinitioner	11
2.2 Allmänna säkerhetsinstruktioner	12
2.3 Säkerhet i arbetsområdet	12
2.4 Elsäkerhet	12
2.5 Personlig säkerhet	12
2.6 Användning och skötsel av elverktyg	12
2.7 Service	13
2.8 Säkerhetsvarningar för bänkslipmaskiner	13
3 Installation	13
3.1 Att installera produkten	13
4 Montering	13
4.1 Så här monterar du skyddsskärmarna	13
4.2 Att montera verktygsstöden	13
5 Användning	13
5.1 Innan du använder produkten	13
5.2 Att slå på och stänga av produkten	13
5.3 Att använda produkten	14
6 Underhåll	14
6.1 Att byta slipskivor	14
7 Förvaring	14
8 Kassering	14
8.1 Att kassera produkten	14
9 Tekniska data	14
10 Felsökning	15

1 Inledning

1.1 Produktbeskrivning

Bänkslipmaskin med två slipskivor.

1.2 Symboler

	Läs bruksanvisningen noggrant och se till att du förstår instruktionerna innan du börjar använda produkten. Spara bruksanvisningen för framtida bruk.
	Använd ögonskydd.
	Använd andningsmask.
	Denna produkt uppfyller tillämpliga EU-direktiv och -bestämmelser.
	Återvinns som elektroniskt avfall.

1.3 Produktöversikt

Bild 1

1. Skyddsskärm
2. Slipskiva
3. Verktygsstöd
4. PÅ/AV-knapp
5. Skydd
6. Monteringssats för verktygsstöd
7. Monteringssats för skyddsskärm

2 Säkerhet

2.1 Säkerhetsdefinitioner

⚠ Varning! Om du inte följer dessa instruktioner finns det risk för personskador eller dödsfall.

⚠ Försiktighet! Om du inte följer dessa instruktioner finns det risk att du skadar produkten, andra material eller det närliggande området.

Obs! Information som är nödvändig i en specifik situation.

2.2 Allmänna säkerhetsinstruktioner

⚠ Varning! Läs alla säkerhetsvarningar, instruktioner, illustrationer och specifikationer som medföljer detta elverktyg. Om du inte följer alla instruktioner ovan kan det leda till elchock, brand och/eller allvarlig personskada.

Obs! Begreppet "elverktyg" i varningarna syftar på ditt verktyg som drivs via elnätet (med sladd) eller ditt batteridrivna elverktyg (sladdlöst).

- Spara alla varningar för framtida bruk.
- Använd inte produkten om du är trött, sjuk eller påverkad av alkohol, droger eller läkemedel. Dessa har en negativ påverkan på din syn, uppmärksamhet, koordination och omdöme.
- Låt aldrig barn eller någon som inte känner till produkten använda den.
- Använd inte produkten om den är skadad.
- Gör inga ändringar på produkten.
- Produkten får endast användas för sitt avsedda ändamål.

2.3 Säkerhet i arbetsområdet

- Håll arbetsområdet rent och väl upplyst. Stökiga eller mörka områden bäddar för olyckor.
- Använd inte elverktyg i explosiva miljöer, t.ex. där det finns brandfarliga vätskor, gaser eller damm. Elverktyg alstrar gnistor som kan antända damm och ångor.
- Barn och andra ska hållas på avstånd när ett elverktyg används. Distractioner kan få dig att förlora kontrollen.

2.4 Elsäkerhet

- Elverktygets kontakt måste passa eluttaget. Stickproppen får aldrig ändras på något sätt. Använd inte stickproppsadapter med jordade elverktyg. Stickproppar som inte ändrats och matchande uttag minskar risken för elstöt.
- Undvik kroppskontakt med jordade ytor, som rör, element, spisar och kylskåp. Risken för elchock ökar om din kropp är jordad.
- Elverktyg får inte utsättas för regn eller våta förhållanden. Om vatten tränger in i ett elverktyg ökar risken för elstöt.

2.5 Personlig säkerhet

- Var uppmärksam, ha koll på det du gör och använd sunt förnuft när du använder ett elverktyg. Använd inte elverktyg när du är trött eller påverkad av droger, alkohol eller läkemedel. Ett ögonblicks ouppmärksamhet medan du använder ett elverktyg kan leda till allvarlig personskada.

- Använd personlig skyddsutrustning. Använd alltid skyddsglasögon. Skyddsutrustning, som dammskyddsmask, halkfria skyddsskor, hjälm eller hörselskydd, som används vid lämpliga förhållanden minskar personskadorna.
- Förhindra oavsiktligt start Se till att strömbrytaren är i avstängt läge innan du ansluter till en strömkälla och/eller ett batteripaket eller när du plockar upp eller bär verktyget. En olycka kan lätt hända om du bär ett elverktyg med fingret på startknappen eller om du ansluter ett påslaget elverktyg till elnätet.
- Ta bort justeringsnyckeln eller skiftnyckeln innan du startar elverktyget. Om du lämnar en justeringsnyckel eller skiftnyckel kvar på en roterande del på elverktyget kan det leda till personskador.
- Sträck dig inte för långt när du använder produkten. Se till att alltid stå stadigt och ha balans. Detta gör att du har bättre kontroll på elverktyget om något oväntat skulle inträffa.
- Ha lämplig klädsel. Bär inte löst sittande kläder eller smycken. Håll hår och kläder borta från alla rörliga delar. Löst sittande kläder, smycken och långt hår kan fastna i rörliga delar.
- Om verktygen är försedda med en anslutning för dammutsugnings- och dammupsamlingsystem ska du se till att dessa ansluts och används på rätt sätt. Om du använder dammupsamling kan det minska dammrelaterade faror.
- Det är lätt att känna sig säkra på hur ett verktyg används efter att ha använt det många gånger och därmed ignorera säkerhetsprinciperna för verktyget. En oförsiktig handling kan orsaka allvarlig skada på bråkdelen av en sekund.

2.6 Användning och skötsel av elverktyg

- Överbelasta inte elverktyget. Använd rätt elverktyg för det arbete du ska utföra. Rätt elverktyg gör jobbet bättre och säkrare i den hastighet som det är avsett för.
- Använd inte elverktyget om startknappen inte fungerar som den ska. Ett elverktyg utan en fungerande startknapp är farligt och måste repareras.
- Dra ut stickkontakten från elnätet och/eller ta bort batteripaketet (om det är löstagbart) från elverktyget innan du gör några justeringar, byter tillbehör eller lägger undan det för förvaring. Dessa förebyggande säkerhetsåtgärder minskar risken för att elverktyget startas oavsiktligen.
- Elverktyg som inte används ska förvaras utom räckhåll för barn. Låt inte personer som inte känner till elverktyget eller dessa instruktioner använda elverktyget. Elverktyg är farliga i händerna på oerfarna användare.

- Underhåll elverktyg och tillbehör. Se efter om elverktyget har sneda eller rörliga delar som fastnat, skadade delar eller annat som kan påverka elverktygets funktion. Om elverktyget är skadat ska det repareras före användning. Många olyckor orsakas av dåligt underhållna elverktyg.
- Håll kapverktygen vassa och rena. Ordentligt underhållna kapverktyg med vassa skäreddar fastnar inte lika lätt och är lättare att kontrollera.
- Använd elverktyget, tillbehör och verktygsbits i enlighet med dessa instruktioner, och med hänsyn till rådande arbetsförhållandena och det arbete som ska utföras. Om elverktyget används för annat än de avsedda uppgifterna kan det leda till farliga situationer.
- Håll handtag och greppytor torra, rena och utan olja och fett. Glatta handtag och greppytor gör att du inte kan hantera och kontrollera verktyget på ett säkert sätt i oväntade situationer.

2.7 Service

- Utför service på ditt elverktyget hos en behörig reparatör som endast använder reservdelar som är identiska med originaldelarna. Detta garanterar att elverktygets säkerhet bevaras.

2.8 Säkerhetsvarningar för bänkslipmaskiner

- Använd inte några skadade tillbehör. Kontrollera före varje användning att tillbehören, t.ex. slipskivor, inte har några hack eller sprickor. När du har inspekterat och installerat ett tillbehör, placera dig själv och kringstående på avstånd från det roterande tillbehörets plan och kör elverktyget på maximal tomgångshastighet i någon minut. Skadade tillbehör kommer normalt att gå sönder under denna testtid.
- Tillbehörets nominella varvtal måste minst motsvara det maximala varvtal som anges på elverktyget. Tillbehör som körs snabbare än sin nominella hastighet kan gå sönder och splittras.
- Slipa aldrig med sidorna av en slipskiva. Slipning på sidan kan leda till att hjulet går sönder och splittras.

3 Installation

3.1 Att installera produkten

- Installera produkten på en arbetsbänk eller ett maskinstativ med 4 st Ø6-mm bultar.

4 Montering

4.1 Så här monterar du skyddsskärmarna

- 1 Fäst skyddsskärmens fäste på skyddet med bulten (A), brickorna (B) och muttern (C). (Bild 2)
- 2 Se till att avståndet (D) mellan slipskivan och konsolens undersida inte överstiger 2 mm.

Obs! Justera avståndet regelbundet eftersom avståndet ökar när slipskivan slits ner.

4.2 Att montera verktygsstöden

- 1 Håll fast verktygsstödet på skenan på skyddet.
- 2 Montera vredet (A), brickorna (B) och bulten (C). (Bild 3)
- 3 Se till att avståndet (D) mellan slipskivan och verktygsstödet inte överstiger 2 mm.

Obs! Justera avståndet regelbundet eftersom avståndet ökar när slipskivan slits ner.

- 4 Se till att det finns envinkel på 85° mellan verktygsstödet och slipskivans tangent.

5 Användning

5.1 Innan du använder produkten

- Installera produkten Se "[3.1 Att installera produkten](#)" på [sida 13](#).
- Installera skyddsskärmarna. Se "[4.1 Så här monterar du skyddsskärmarna](#)" på [sida 13](#).
- Montera verktygsstöden. Se "[4.2 Att montera verktygsstöden](#)" på [sida 13](#).
- Se till att slipskivorna kan röra sig fritt.

5.2 Att slå på och stänga av produkten

- 1 Anslut strömkontakten till ett eluttag.
- 2 Sätt ON/OFF-knappen i läge "I" för att starta produkten.
- 3 Sätt ON/OFF-knappen i läge "0" för att stoppa produkten.

5.3 Att använda produkten

! Varning! Använd inte en skadad eller för sliten slipskiva.

- 1 Håll fast arbetsstycket med båda händerna och stöd det på verktygsstödet.
- 2 Pressa arbetsstycket mot slipskivan.

6 Underhåll

! Varning! Stoppa produkten, dra ut stickkontakten ur eluttaget och låt produkten svalna innan du rengör eller utför underhåll på den.

! Försiktighet! Använd inte slipande eller lösningsmedelsbaserade rengöringsprodukter på produkten.

- Avlägsna smuts och skräp från produkten efter varje användning.
- Rengör produkten med en fuktig duk, vid behov.
- Undersök produkten med avseende på slitage och skador. Byt ut skadade delar eller kontakta en auktoriserad serviceverkstad.

6.1 Att byta slipskivor

Slipskivorna måste bytas ut om det minimala avståndet på 2 mm från verktygsstödet till slipskivan har överskridits eller om slipskivan har skadats.

- 1 Stoppa produkten och dra ut kontakten från eluttaget.
- 2 Ta bort de tre skruvarna (A) och skyddet (B). (Bild 4)
- 3 Ta bort muttern (C) från spindeln.

Obs! Muttern på produktens högra sida är högergångad. Muttern på produktens vänstra sida är vänstergångad

- 4 Ta bort flänsen (D).
- 5 Byt ut slipskivan (E).
- 6 Rör på slipskivan för hand för att kontrollera att den rör sig fritt.
- 7 Montera i motsatt ordning.
- 8 Starta produkten och låt den gå i någon minut utan belastning.

7 Förvaring

! Varning! Förvara produkten på en plats som är oåtkomlig för barn.

- Rengör produkten. Se "6 Underhåll" på sida 14.
- Förvara produkten i ett torrt, frostfritt utrymme vid en omgivningstemperatur på 10–30°C.
- Lägg produkten i originalförpackningen eller täck över den med en duk för att skydda den mot damm.

8 Kassering

8.1 Att kassera produkten

- Se till att du följer lokala bestämmelser när du kasserar produkten. Bränn inte produkten.

9 Tekniska data

Specifikation	Värde
Spänning	230 V ~ 50 Hz
Effekt	105 W S1/150 W S6 40 %
Hastighet	2980/min
Skivdiameter	125 mm
Håldiameter	16 mm
Skivans tjocklek	12,7 mm
Mått	28,5 x 18,5 x 20,5 cm
Vikt	5 kg
Bullernivåer¹	
Ljudtrycksnivå, LpA	82,7 dB(A), K=3 dB
Ljudeffektnivå, LwA	95,7 dB(A), K=3 dB

! Varning! Använd alltid hörselskydd!

! Varning! Den faktiska vibrations- och bullernivån när du använder verktyg kan skilja sig från det angivna maxvärdet beroende på hur verktyget används och materialet. Därför måste du avgöra vilka säkerhetsåtgärder som krävs för att skydda användaren, baserat på en beräkning av exponering under faktiska driftförhållanden (med beaktande av alla faser i arbetscykeln, t.ex. tiden när verktyget är avstängt och när det går på tomgång, utöver uppstartstiden).

¹ De angivna värdena för vibrationer och buller, som har uppmätts enligt en standardiserad testmetod, kan användas för att jämföra olika verktyg med varandra och för att få en preliminär bedömning av ljudexponeringen. Mätvärdena har fastställts i enlighet med SS-EN 62841-3-4:2016.

10 Felsökning

Problem	Orsak	Åtgärd
Produkten startar inte.	Produkten är inte ansluten till eluttaget.	Anslut strömkabeln till ett eluttag.
	Strömkabeln eller kontakten är skadad.	Kontakta en auktoriserad elektriker för reparation.
	Annat elektriskt fel.	Kontakta en auktoriserad elektriker för reparation.
Produkten når inte full effekt.	Om en förlängningskabel används, se till att den är av rätt typ.	Använd en korrekt förlängningskabel.
	Strömkällan har för låg spänning.	Anslut produkten till en annan strömkälla.

Innholdsfortegnelse

1 Innledning	16
1.1 Produktbeskrivelse	16
1.2 Symboler.....	16
1.3 Produktoversikt	16
2 Sikkerhet	16
2.1 Sikkerhetsdefinisjoner	16
2.2 Generelle sikkerhetsinstruksjoner	17
2.3 Sikkerhet i arbeidsområdet	17
2.4 Elektrisk sikkerhet	17
2.5 Personlig sikkerhet	17
2.6 Bruk og stell av elektroverktøy	17
2.7 Service	18
2.8 Sikkerhetsadvarsler for benkesliper	18
3 Installasjon	18
3.1 Installasjon av produktet	18
4 Montering	18
4.1 Slik monterer du beskyttelsesskjermene.....	18
4.2 Slik monterer du verktøystøttene.....	18
5 Bruk	18
5.1 Å gjøre før du bruker produktet	18
5.2 Slik starter og stopper du produktet	18
5.3 Bruke produktet	19
6 Vedlikehold	19
6.1 Slik bytter du ut slipeskivene.....	19
7 Oppbevaring	19
8 Avhending	19
8.1 Slik kasseres produktet	19
9 Tekniske data	19
10 Feilsøking	20

1 Innledning

1.1 Produktbeskrivelse

Benksliper med 2 slipeskiver.

1.2 Symboler

	Les bruksanvisningen nøye og forsikre deg om at du har forstått den før du tar produktet i bruk. Lagre instruksjonene for fremtidig bruk.
	Bruk øyebeskyttelse.
	Bruk åndedrettsvern.
	Dette produktet er i samsvar med gjeldende EU-direktiver og -forskrifter.
	Gjenvinnes som elektrisk avfall.

1.3 Produktoversikt

Figur 1

1. Beskyttelsesskjerm
2. Slipeskive
3. Verktøystøtte
4. PÅ/AV-knapp
5. Skjerm
6. Monteringssett for verktøystøtte
7. Monteringssett for beskyttelsesskjerm

2 Sikkerhet

2.1 Sikkerhetsdefinisjoner

⚠ Advarsel! Hvis du ikke følger disse instruksjonene, er det fare for død eller personskade.

⚠ Forsiktig! Hvis du ikke følger disse instruksjonene, er det fare for skade på produktet, annet materiell eller på omgivelsene.

Merk! Informasjon som er nødvendig i en gitt situasjon.

2.2 Generelle sikkerhetsinstruksjoner

⚠ Advarsel! Les alle sikkerhetsadvarsler, instruksjoner, illustrasjoner og spesifikasjoner som følger med dette elektroverktøyet. Unnlattelse av å følge alle instruksjonene nedenfor kan føre til elektrisk støt, brann og/eller alvorlig skade.

Merk! Begrepet "elektrisk verktøy" i advarslene refererer til ditt nettdrevne (ledningsbaserte) elektroverktøy eller batteridrevne (trådløse) elektroverktøy.

- Lagre alle advarsler og instruksjoner for fremtidig referanse.
- Bruk ikke produktet hvis du er trøtt, syk eller påvirket av alkohol, narkotika eller medisiner. Dette har en negativ effekt på syn, årvåkenhet, koordinasjon og dømmekraft.
- Ikke la barn eller noen som ikke er kjent med produktet bruke det.
- Ikke bruk produktet hvis det er skadet.
- Ikke modifierer eller endre produktet.
- Produktet skal bare brukes til dets tiltenkte formål.

2.3 Sikkerhet i arbeidsområdet

- Hold arbeidsområdet ryddig og godt opplyst. Rotete eller mørke områder inviterer til ulykker.
- Ikke bruk elektroverktøy i eksplosive atmosfærer, for eksempel i nærvær av brennbare væsker, gasser eller støv. Elektroverktøy lager gnister som kan antenne støv eller røyk.
- Hold barn og tilskuere unna mens du bruker et elektroverktøy. Distraksjoner kan føre til at du mister kontrollen.

2.4 Elektrisk sikkerhet

- El-verktøypluggen må passe til stikkkontakten. Modifierer aldri støpselet på noen måte. Ikke bruk noen adapterpluggen med jordet elektroverktøy. Umodifiserte støpsler og matchende stikkontakter vil redusere risikoen for elektrisk støt.
- Unngå kroppskontakt med jodede eller jodede overflater, som rør, radiatorer, komfyrer og kjøleskap. Det er en økt risiko for elektrisk støt hvis kroppen din er jordet.
- Ikke utsett elektroverktøy for regn eller våte forhold. Vann som kommer inn i et elektroverktøy vil øke risikoen for elektrisk støt.

2.5 Personlig sikkerhet

- Vær på vakt, se hva du gjør og bruk sunn fornuft når du bruker et elektroverktøy. Ikke bruk et elektroverktøy mens du er trøtt eller påvirket av narkotika, alkohol eller medisiner. Et øyeblikks uoppmerksomhet mens du bruker elektroverktøy kan føre til alvorlig personskade.
- Bruk personlig verneutstyr. Bruk alltid øyevern. Verneutstyr som støvmaske, sklisikre vernesko, hjelm eller hørselsvern som brukes for passende forhold vil redusere personskader.
- Forhindre utilsiktet start. Sørg for at bryteren er i av-posisjon før du kobler til strømkilden og/eller batteripakken, plukker opp eller bærer verktøyet. Å bære elektroverktøy med fingeren på bryteren eller å sette strøm på elektroverktøy som har bryteren på, inviterer til ulykker.
- Fjern eventuell justeringsnøkkel eller skiftenøkkel før du slår på elektroverktøyet. En skiftenøkkel eller en nøkkel som er festet til en roterende del av elektroverktøyet kan føre til personskade.
- Ikke len deg over. Hold riktig fotfeste og balanse til enhver tid. Dette gir bedre kontroll over elektroverktøyet i uventede situasjoner.
- Kle deg skikkelig. Ikke bruk løse klær eller smykker. Hold håret og klærne unna bevegelige deler. Løse klær, smykker eller langt hår kan sette seg fast i bevegelige deler.
- Hvis det leveres enheter for tilkobling av støvavsug og oppsamlingsanlegg, sørg for at disse er tilkoblet og riktig brukt. Bruk av støvopsamling kan redusere støvrelaterte farer.
- Ikke la kjennskap oppnådd ved hyppig bruk av verktøy tillate deg å bli selvtillfreds og ignorere prinsipper for verktøysikkerhet. En uforsiktig handling kan forårsake alvorlig skade i løpet av en brøkdell av et sekund.

2.6 Bruk og stell av elektroverktøy

- Ikke overbelast elektroverktøyet. Bruk riktig elektroverktøy for din bruk. Riktig elektroverktøy vil gjøre jobben bedre og sikrere med den hastigheten det ble designet for.
- Ikke bruk elektroverktøyet hvis bryteren ikke slår det på og av. Ethvert elektroverktøy som ikke kan kontrolleres med bryteren er farlig og må repareres.
- Koble støpselet fra strømkilden og/eller fjern batteripakken, hvis den kan tas av, fra elektroverktøyet før du foretar justeringer, skifter tilbehør eller setter elektroverktøyet til oppbevaring. Slike forebyggende sikkerhetsiltak reduserer risikoen for å starte elektroverktøyet ved et uhell.

- Oppbevar inaktivt elektroverktøy utilgjengelig for barn, og la ikke personer som ikke er kjent med elektroverktøyet eller disse instruksjonene bruke elektroverktøyet. Elektroverktøy er farlig i hendene på utrente brukere.
- Vedlikehold elektroverktøy og tilbehør. Sjekk for feiljustering eller hindring av bevegelige deler, brudd på deler og andre forhold som kan påvirke elektroverktøyet funksjon. Hvis det er skadet, få elektroverktøyet reparert før bruk. Mange ulykker er forårsaket av dårlig vedlikeholdt elektroverktøy.
- Hold skjæreverktøy skarpe og rene. Riktig vedlikeholdt skjæreverktøy med skarpe skjærekanten har mindre sannsynlighet for å sette seg fast og er lettere å kontrollere.
- Bruk elektroverktøyet, tilbehør og verktøybits etc. i samsvar med disse instruksjonene, og ta hensyn til arbeidsforholdene og arbeidet som skal utføres. Bruk av elektroverktøyet til andre operasjoner enn det som er tiltenkt, kan føre til en farlig situasjon.
- Hold håndtak og gripeflater tørre, rene og fri for olje og fett. Glatte håndtak og gripeflater tillater ikke sikker håndtering og kontroll av verktøyet i uventede situasjoner.

2.7 Service

- Få utført service på elektroverktøyet ditt av en kvalifisert reparatør/fagperson som kun bruker identiske reservedeler. Dette vil sikre at sikkerheten til elektroverktøyet opprettholdes.

2.8 Sikkerhetsadvarsler for benkesliper

- Ikke bruk skadet tilbehør. Kontroller tilbehøret, for eksempel slipeskiver, for spon og sprekker før hver bruk. Etter at du har inspisert og installert et tilbehør, plasser deg selv og tilskuere på avstand fra det roterende tilbehøret og kjør elektroverktøyet på maks. tomgangshastighet i ett minutt. Skadet tilbehør vil normalt gå i stykker i løpet av denne testtiden.
- Tilbehørets nominelle turtall må være minst like høyt som det maksimale turtallet som er angitt på elektroverktøyet. Tilbehør som kjøres raskere enn nominell hastighet, kan gå i stykker og fly fra hverandre.
- Slip aldri på sidene av en slipeskive. Sliping på siden kan føre til at hjulet går i stykker og flyr fra hverandre.

3 Installasjon

3.1 Installasjon av produktet

- Monter produktet på en arbeidsbenk eller et maskinstativ med 4 x Ø6 mm bolter.

4 Montering

4.1 Slik monterer du beskyttelsesskjermene

- 1 Fest beskyttelsesskjermbraketten til beskyttelsesgitteret med bolten (A), skivene (B) og mutteren (C). (Figur 2)
- 2 Pass på at avstanden (D) mellom slipeskiven og bunnen av braketten ikke er mer enn 2 mm.

Merk! Juster avstanden regelmessig, ettersom avstanden øker når slipeskiven slites ned.

4.2 Slik monterer du verktøystøttene

- 1 Hold verktøystøtten mot skinnen på skjermen.
- 2 Monter knotten (A), skivene (B) og bolten (C). (Figur 3)
- 3 Pass på at avstanden (D) mellom slipeskiven og verktøystøtten ikke er mer enn 2 mm.

Merk! Juster avstanden regelmessig, ettersom avstanden øker når slipeskiven slites ned.

- 4 Sørg for at det er en vinkel på 85° mellom verktøystøtten og slipeskivens tangent.

5 Bruk

5.1 Å gjøre før du bruker produktet

- Installasjon av produktet Se "[3.1 Installasjon av produktet](#)" på side 18.
- Monter beskyttelsesskjermene. Se "[4.1 Slik monterer du beskyttelsesskjermene](#)" på side 18.
- Monter verktøystøttene. Se "[4.2 Slik monterer du verktøystøttene](#)" på side 18.
- Sørg for at slipeskivene kan bevege seg fritt.

5.2 Slik starter og stopper du produktet

- 1 Koble strømpluggen til en stikkontakt.
- 2 Sett PÅ/AV-knappen i posisjon "I" for å starte produktet.
- 3 Sett PÅ/AV-knappen i posisjon "0" for å stoppe produktet.

5.3 Bruke produktet

⚠ Advarsel! Ikke bruk en skadet eller for slitt slipeskive.

- 1 Hold arbeidsstykket med begge hender og støtt det på verktøystøtten.
- 2 Skyv arbeidsstykket mot slipeskiven.

6 Vedlikehold

⚠ Advarsel! Stopp produktet, trekk ut støpselet fra stikkkontakten og la produktet avkjøles før du rengjør eller utfører vedlikehold på det.

⚠ OBS! Ikke bruk skure- eller løsemiddelbaserte vaskemidler for å rengjøre plastdeler.

- Fjern smuss og rusk fra produktet etter hver bruk.
- Rengjør produktet med en fuktig klut.
- Undersøk produktet for slitasje og skade. Skift ut skadede deler eller kontakt et autorisert servicesenter.

6.1 Slik bytter du ut slipeskivene

Slipeskivene må skiftes ut hvis maksimumsavstanden på 2 mm fra verktøystøtten til slipeskiven er overskredet, eller hvis slipeskiven er skadet.

- 1 Stopp produktet og koble det fra stikkkontakten.
- 2 Fjern de 3 skruene (A) og skjermen (B). (Figur 4)
- 3 Fjern mutteren (C) fra spindelen.

Merk! Mutteren på høyre side av produktet er høyregjenget. Mutteren på venstre side av produktet er venstregjenget.

- 4 Fjern flensen (D).
- 5 Skift ut slipeskiven (E).
- 6 Beveg slipeskiven for hånd for å kontrollere at den beveger seg fritt.
- 7 Installer i motsatt rekkefølge.
- 8 Start produktet og la det gå i 1 minutt uten belastning.

7 Oppbevaring

⚠ Advarsel! Oppbevar produktet på et sted som er utilgjengelig for barn.

- Rengjør produktet. Se "6 Vedlikehold" på side 19.
- Oppbevar produktet på et tørt, frostfritt sted ved en omgivelsestemperatur på 10-30°C.
- Legg produktet i originalemballasjen eller dekk det til med en klut for å beskytte det mot støv.

8 Avhending

8.1 Slik kasseres produktet

- Sørg for at du følger lokale forskrifter når du kasserer produktet. Produktet må ikke brennes.

9 Tekniske data

Spesifikasjoner	Verdi
Spenning	230 V ~ 50 Hz
Effekt	105 W S1/150 W S6 40 %.
Hastighet	2980 min
Skivediameter	125 mm
Hulldiameter	16 mm
Skivetykkelse	12,7 mm
Mål	28,5 x 18,5 x 20,5 cm
Vekt	5 kg
Støynivåer¹	
Lydtrykksnivå, LpA	82,7 dB(A), K=3 dB
Lydeffektnivå, LwA	95,7 dB(A), K=3 dB

⚠ Advarsel! Bruk alltid hørselvern!

⚠ Advarsel! Det faktiske vibrasjons- og støynivået ved bruk av verktøy kan avvike fra den angitte maksimalverdien, avhengig av hvordan verktøyet brukes og materialet. Det er derfor nødvendig å bestemme hvilke sikkerhetstiltak som kreves for å beskytte brukeren, basert på et estimat av eksponering under faktiske driftsforhold (som tar i betraktning alle stadier av arbeidssyklusen, for eksempel når verktøyet er slått av og når det er tomgang, i tillegg til oppstartstiden).

¹ De deklarererte verdiene for vibrasjon og støy, som er målt i henhold til en standardisert testmetode, kan brukes til å sammenligne forskjellige verktøy med hverandre og for en foreløpig vurdering av eksponering. Måleverdiene er fastsatt i henhold til EN 62841-3-4:2016.

10 Feilsøking

Problem	Årsak	Handling
Produktet starter ikke.	Produktet er ikke koblet til strømuttaket.	Koble strømkabelen til en stikkontakt.
	Strømkabelen eller støpselet er skadet.	Kontakt en autorisert elektriker for reparasjon.
	Annen elektrisk feil.	Kontakt en autorisert elektriker for reparasjon.
Produktet når ikke full effekt.	Hvis du bruker en skjøteledning, må du kontrollere at den er av riktig type.	Bruk riktig skjøteledning.
	Strømkilden har for lav spenning.	Koble produktet til en annen strømkilde.

Indholdsfortegnelse

1 Indledning	21
1.1 Produktbeskrivelse	21
1.2 Symboler	21
1.3 Produktoversigt	21
2 Sikkerhed	21
2.1 Sikkerhedsdefinitioner	21
2.2 Generelle sikkerhedsanvisninger	22
2.3 Sikkerhed i arbejdsområdet	22
2.4 Elektrisk sikkerhed	22
2.5 Personlig sikkerhed	22
2.6 Brug og vedligehold af elværktøj	22
2.7 Service	23
2.8 Sikkerhedsadvarsler for bænkslibere	23
3 Montering	23
3.1 Sådan monterer du produktet	23
4 Samvejledning	23
4.1 Sådan monteres beskyttelsesskærmene	23
4.2 Sådan samles værktøjsstøtterne	23
5 Brug 23	
5.1 Før produktet tages i brug	23
5.2 Sådan tændes og slukkes produktet	23
5.3 Sådan betjenes produktet	24
6 Vedligeholdelse	24
6.1 Sådan udskiftes slibesiverne	24
7 Opbevaring	24
8 Bortskaffelse	24
8.1 Sådan bortskaffes produktet	24
9 Tekniske data	24
10 Fejlfinding	25

1 Indledning

1.1 Produktbeskrivelse

Bænksliber med 2 slibesiver.

1.2 Symboler

	Læs betjeningsvejledningen omhyggeligt, og vær sikker på, du forstår den, før du tager produktet i brug. Gem betjeningsvejledningen til senere brug.
	Brug altid beskyttelsesbriller.
	Brug altid åndedrætsværn.
	Produktet overholder gældende EU-direktiver og -forordninger.
	Skal bortskaffes som elektronikaffald.

1.3 Produktoversigt

Figur 1

1. Beskyttelsesskærm
2. Slibesive
3. Værktøjsstøtte
4. Tænd/sluk-knap
5. Afskærmning
6. Montagesæt til værktøjsstøtte
7. Montagesæt til beskyttelsesskærm

2 Sikkerhed

2.1 Sikkerhedsdefinitioner

! **Advarsel!** Manglende overholdelse af disse anvisninger kan medføre død eller personskade.

! **Forsigtig!** Manglende overholdelse af disse anvisninger kan medføre skader på produktet, andre materialer eller det omgivende område.

Bemærk! Information der er nødvendig i bestemte situationer.

2.2 Generelle sikkerhedsanvisninger

⚠ Advarsel! Læs alle sikkerhedsadvarsler, brugervejledninger, illustrationer og specifikationer, der følger med dette elværktøj. Manglende overholdelse af nedenstående anvisninger kan medføre elektrisk stød, brand og/eller alvorlig personskade.

Bemærk! Udtrykket "elværktøj" i advarslerne henviser til elværktøj, der er tilsluttet elnettet (med ledning), eller batteridrevet elværktøj (uden ledning).

- Gem alle advarsler og anvisninger til senere brug.
- Brug ikke produktet, hvis du er træt, syg eller påvirket af alkohol, stoffer eller medicin. Dette har en negativ effekt på dit syn og din opmærksomhed, koordination og dømmekraft.
- Lad ikke børn eller personer, som ikke er fortrolige med produktet, benytte det.
- Brug ikke produktet, hvis det er beskadiget.
- Undlad at foretage ændringer på produktet.
- Produktet må kun bruges til det tilsigtede formål.

2.3 Sikkerhed i arbejdsområdet

- Arbejdsområdet skal holdes rent og godt oplyst. Rodede eller mørke områder øger risikoen for ulykker.
- Brug ikke elværktøj i eksplosive miljøer, f.eks. i nærheden af brandfarlig væske, gas eller støv. Elværktøj danner gnister, som kan antænde støv eller damp.
- Hold børn og andre personer på afstand, når elværktøjet er i brug. Uopmærksomhed kan føre til, at man mister kontrollen med værktøjet.

2.4 Elektrisk sikkerhed

- Elværktøjets stik skal passe til stikkontakten. Undgå at ændre på stikket. Brug ikke adapterstik sammen med jordet elværktøj. Intakte stik og matchende stikkontakter reducerer risikoen for elektrisk stød.
- Undgå kropskontakt med jodede overflader som f.eks. rør, radiatorer, komfurer og køleskabe. Der er en øget risiko for elektrisk stød, hvis kroppen er jordet.
- Undgå at udsætte elværktøj for regn eller fugt. Hvis der trænger vand ind i elværktøj, øges risikoen for elektrisk stød.

2.5 Personlig sikkerhed

- Vær opmærksom, hold øje med, hvad du laver, og brug din sunde fornuft, når du bruger elværktøj. Undgå at bruge elværktøj, hvis du er træt eller påvirket af stoffer, alkohol eller medicin. Et øjeblik uopmærksomhed under brug af elværktøj kan medføre alvorlig personskade.

- Brug personlige værnemidler. Brug altid beskyttelsesbriller. Værnemidler som støvmaske, skridsikre sikkerhedssko, sikkerhedshjelm eller høreværn reducerer risikoen for personskade, afhængigt af forholdene.
- Undgå, at værktøjet starter utilsigtet. Sørg for, at afbryderen er i slukket position, før du tilslutter strømkilden og/eller batteripakken, samler værktøjet op eller bærer det. Risikoen for ulykker øges, hvis elværktøjet bæres med fingeren på afbryderen, eller der sættes strøm til elværktøj, mens afbryderen er i tændt position.
- Fjern eventuelle skrueøgler og lignende, før elværktøjet startes. Skrueøgler og lignende, der sidder på en roterende del på elværktøjet, kan forårsage personskade.
- Undgå at strække dig for meget. Sørg for altid at have godt fodfæste og god balance. Det giver bedre kontrol over elværktøjet i uventede situationer.
- Brug egnet tøj. Undgå løstsiddende tøj eller smykker. Hold hår og tøj væk fra bevægelige dele. Løstsiddende tøj, smykker eller langt hår kan sidde fast i bevægelige dele.
- Hvis elværktøjet kan tilsluttes støvudsugning og -opsamling, skal du sikre, at det tilsluttes og bruges korrekt. Brug af støvopsamling kan reducere risici forbundet med støv.
- Selvom du har erfaring med hyppig brug af værktøj, skal du stadig være varsom og huske på værktøjets sikkerhedsanvisninger. Uforsigtighed kan forårsage alvorlige skader i løbet af en brøkdal af et sekund.

2.6 Brug og vedligehold af elværktøj

- Undgå at overbelaste elværktøjet. Brug det rigtige elværktøj til opgaven. Det rigtige elværktøj vil gøre arbejdet bedre og sikrere med den hastighed, det er beregnet til.
- Brug ikke elværktøjet, hvis det ikke kan tændes og slukkes med afbryderen. Elværktøj, der ikke kan styres med afbryderen, er farligt og skal repareres.
- Tag stikket ud af strømkilden og/eller batteripakken ud af elværktøjet, før du foretager justeringer, skifter tilbehør eller opbevarer elværktøjet. Disse forebyggende sikkerhedsforanstaltninger reducerer risikoen for, at elværktøjet startes ved et uheld.
- Elværktøj, som ikke er i brug, skal opbevares utilgængeligt for børn. Lad ikke personer, der ikke er fortrolige med elværktøjet eller har læst betjeningsvejledningen, betjene elværktøjet. Elværktøj er farligt i hænderne på uerfarne brugere.

- Vedligehold elværktøj og tilbehør. Kontroller, at de bevægelige dele ikke er forkeret justeret eller sidder fast, at der er ikke brud på dele, og at der ikke er andre forhold, der kan påvirke elværktøjets funktion. Hvis elværktøjet er beskadiget skal det repareres før brug. Mange ulykker skyldes dårligt vedligeholdt elværktøj.
- Skæreværktøj skal holdes skarpt og rent. Korrekt vedligeholdt skæreværktøj med skarpe skærekanten er mindre tilbøjeligt til at sætte sig fast og er lettere at styre.
- Brug elværktøjet, tilbehøret og værktøjsbits osv. i overensstemmelse med denne betjeningsvejledning og under hensyntagen til arbejdsforholdene og det arbejde, der skal udføres. Det kan være farligt at bruge elværktøj til andet end det tilsigtede formål.
- Hold håndtag og grebsflader tørre, rene og fri for olie og fedt. Glatte håndtag og grebsflader gør det vanskeligt at håndtere og styre værktøjet sikkert i uventede situationer.

2.7 Service

- Service på elværktøj må kun udføres af autoriserede personer, der bruger originale reservedele. Det vil sikre, at elværktøjet altid er i forsvarlig stand.

2.8 Sikkerhedsadvarsler for bænkslibere

- Brug ikke beskadiget tilbehør. Efterse tilbehøret, f.eks. sliberuller, for spåner og revner før hver brug. Når du har efterset og installeret et tilbehør, skal du og eventuelle tilskuere stille jer på afstand af det roterende tilbehørs plan og lade elværktøjet køre ved maksimal hastighed uden belastning i et minut. Beskadiget tilbehør vil normalt gå i stykker i løbet af denne testtid.
- Tilbehørets nominelle hastighed skal mindst være lig med den maksimale hastighed, der er markeret på elværktøjet. Tilbehør, der kører hurtigere end deres nominelle hastighed, kan gå i stykker og flyve fra hinanden.
- Slib aldrig på siderne af en slibeskive. Slibning på siden kan få skiven til at gå i stykker og flyve fra hinanden.

3 Montering

3.1 Sådan monterer du produktet

- Monter produktet på en arbejdsbænk eller et maskinstativ med 4 x Ø6 mm bolte.

4 Samlevejledning

4.1 Sådan monteres beskyttelsesskærmene

- 1 Fastgør beskyttelsesskærmens beslag til afskærmningen med boltene (A), spændeskiverne (B) og møtrikken (C). (Figur 2)
- 2 Sørg for, at afstanden (D) mellem slibeskiven og bunden af beslaget ikke er mere end 2 mm.

Bemærk! Juster afstanden regelmæssigt, da afstanden øges, når slibeskiven slides ned.

4.2 Sådan samles værktøjsstøtterne

- 1 Hold værktøjsstøtten fast på skinnen på afskærmningen.
- 2 Monter knoppen (A), spændeskiverne (B) og boltene (C). (Figur 3)
- 3 Sørg for, at afstanden (D) mellem slibeskiven og værktøjsstøtten ikke er mere end 2 mm.

Bemærk! Juster afstanden regelmæssigt, da afstanden øges, når slibeskiven slides ned.

- 4 Sørg for, at der er en vinkel på 85° mellem værktøjsstøtten og slibeskivens tangent.

5 Brug

5.1 Før produktet tages i brug

- Monter produktet. Se "[3.1 Sådan monterer du produktet](#)" på side 23.
- Monter beskyttelsesskærmene. Se "[4.1 Sådan monteres beskyttelsesskærmene](#)" på side 23.
- Saml værktøjsstøtterne. Se "[4.2 Sådan samles værktøjsstøtterne](#)" på side 23.
- Sørg for, at slibeskiverne kan bevæge sig frit.

5.2 Sådan tændes og slukkes produktet

- 1 Sæt stikket i en stikkontakt.
- 2 Sæt tænd/sluk-knappen i positionen "I" for at starte produktet.
- 3 Sæt tænd/sluk-knappen i position "0" for at stoppe produktet.

5.3 Sådan betjenes produktet

⚠ Advarsel! Brug ikke en beskadiget eller for slidt slibeskive.

- 1 Hold fast i arbejdsemnet med begge hænder, og støt det på værktøjsstøtten.
- 2 Skub arbejdsemnet mod slibeskiven.

6 Vedligeholdelse

⚠ Advarsel! Stop produktet, tag stikket ud af stikkontakten, og lad produktet køle af, før du rengør eller udfører vedligeholdelse på det.

⚠ Forsigtig! Brug ikke slibende eller opløsningsmiddelbaserede opløsninger til at rengøre plastdele.

- Fjern skidt og snavs fra produktet efter hver brug.
- Rengør produktet med en tør klud.
- Undersøg produktet for slid og skader. Udskift beskadigede dele, eller kontakt et autoriseret servicecenter.

6.1 Sådan udskiftes slibeskiverne

Slibeskiverne skal udskiftes, hvis den maksimale afstand på 2 mm fra værktøjsstøtten til slibeskiven er overskredet, eller hvis slibeskiven er blevet beskadiget.

- 1 Stop produktet, og træk stikket ud af stikkontakten.
- 2 Fjern de 3 skruer (A) og afskærmningen (B). (Figur 4)
- 3 Fjern møtrikken (C) fra spindlen.

Bemærk! Møtrikken på højre side af produktet har højregevind. Møtrikken på venstre side af produktet har venstregevind

- 4 Fjern flangen (D).
- 5 Udskift slibeskiven (E).
- 6 Bevæg slibeskiven med hånden for at sikre, at den bevæger sig frit.
- 7 Monter i modsat rækkefølge.
- 8 Start produktet, og lad det køre i 1 minut uden belastning.

7 Opbevaring

⚠ Advarsel! Opbevar produktet på et sted, der er utilgængeligt for børn.

- Sådan rengør du produktet. Se "[6 Vedligeholdelse](#)" på [side 24](#).
- Opbevar produktet i et tørt, frostfrit område ved en omgivelsestemperatur på 10–30 °C.
- Læg produktet i den originale emballage, eller dæk det til med en klud for at beskytte det mod støv.

8 Bortskaffelse

8.1 Sådan bortskaffes produktet

- Følg de lokale regler ved bortskaffelse af produktet. Brænd ikke produktet.

9 Tekniske data

Specifikation	Værdi
Spænding	230 V ~ 50 Hz
Effekt	105 W S1/150 W S6 40 %
Hastighed	2980/min.
Skivens diameter	125 mm
Hullets diameter	16 mm
Skivens tykkelse	12,7 mm
Mål	28,5 x 18,5 x 20,5 cm
Vægt	5 kg
Støjniveau¹	
Lydtrykkniveau, LpA	82,7 dB(A), K=3 dB
Lydeffektniveau, LwA	95,7 dB(A), K=3 dB

⚠ Advarsel! Brug altid høreværn!

⚠ Advarsel! Det faktiske vibrations- og støjniveau ved brug af værktøj kan afvige fra den angivne maksimale værdi, afhængigt af hvordan værktøjet bruges og af materialet. Det er derfor nødvendigt at bestemme, hvilke sikkerhedsforanstaltninger der er nødvendige for at beskytte brugeren, baseret på et skøn over eksponering under faktiske arbejdsforhold (under hensyntagen til alle faser af arbejds cyklussen, f.eks. den tid, hvor værktøjet er slukket, og hvor det kører i tomgang, ud over opstartstiden).

¹ De deklarerede værdier for vibrationer og støj, som er målt i henhold til en standardiseret testmetode, kan bruges til at sammenligne forskellige værktøjer med hinanden og til en foreløbig vurdering af eksponeringen. Måleværdierne er blevet fastsat i overensstemmelse med EN 62841-3-4:2016.

10 Fejlfinding

Problem	Årsag	Handling
Produktet starter ikke.	Produktet er ikke tilsluttet stikkontakten.	Tilslut strømkablet til stikkontakten.
	Strømkablet eller stikket er beskadiget.	Kontakt en autoriseret elektriker for reparation.
	Anden elektrisk fejl.	Kontakt en autoriseret elektriker for reparation.
Produktet når ikke op på fuld styrke.	Hvis du bruger et forlænger kabel, skal du sørge for, at det er den rigtige type.	Brug et korrekt forlænger kabel.
	Strømkilden har for lav spænding.	Tilslut produktet til en anden strømkilde.

Spis treści

1	Wprowadzenie	26
1.1	Opis produktu.....	26
1.2	Symbole.....	26
1.3	Przegląd produktu.....	26
2	Bezpieczeństwo	26
2.1	Definicje bezpieczeństwa.....	26
2.2	Ogólne zasady bezpieczeństwa.....	27
2.3	Bezpieczeństwo w miejscu pracy.....	27
2.4	Bezpieczeństwo elektryczne.....	27
2.5	Bezpieczeństwo osobiste.....	27
2.6	Obsługa i czyszczenie elektronarzędzia.....	27
2.7	Serwisowanie.....	28
2.8	Ostrzeżenia dotyczące bezpiecznej obsługi szlifierki stołowej.....	28
3	Montaż	28
3.1	Montaż produktu.....	28
4	Montaż	28
4.1	Montaż osłon.....	28
4.2	Montaż podpór narzędzia.....	28
5	Obsługa	29
5.1	Czynności do wykonania przed rozpoczęciem użytkowania urządzenia....	29
5.2	Włączanie i wyłączanie urządzenia.....	29
5.3	Obsługa produktu.....	29
6	Konserwacja	29
6.1	Wymiana tarcz szlifierskich.....	29
7	Przechowywanie	29
8	Utylizacja	29
8.1	Utylizowanie produktu.....	29
9	Dane techniczne	30
10	Usuwanie usterek	30

1 Wprowadzenie

1.1 Opis produktu

Szlifierka stołowa z dwiema tarczami szlifierskimi.

1.2 Symbole

	Przed użyciem produktu należy dokładnie i ze zrozumieniem przeczytać tę instrukcję obsługi. Instrukcję tę należy zachować do wykorzystania w przyszłości.
	Stosuj środki ochrony oczu.
	Używaj maski oddechowej
	Niniejszy produkt spełnia wymagania stosownych dyrektyw i rozporządzeń unijnych.
	Utylizuj jak odpady elektryczne.

1.3 Przegląd produktu

Rysunek 1

1. Osłona
2. Tarcza szlifierska
3. Podpórka
4. Przycisk włączania/wyłączania
5. Pokrywa
6. Zestaw montażowy podpórki
7. Zestaw montażowy osłony

2 Bezpieczeństwo

2.1 Definicje bezpieczeństwa

⚠ Ostrzeżenie! W razie niestosowania się do niniejszej instrukcji zachodzi ryzyko śmierci lub obrażeń ciała.

⚠ Przewaga! W razie niestosowania się do niniejszej instrukcji zachodzi ryzyko uszkodzenia produktu lub innych materiałów w pobliżu.

Uwaga! Informacje dotyczące postępowania w określonych sytuacjach.

2.2 Ogólne zasady bezpieczeństwa

⚠ Ostrzeżenie! Zapoznaj się ze wszystkimi ostrzeżeniami dotyczącymi bezpieczeństwa, instrukcjami, ilustracjami i specyfikacjami dołączonymi do tego elektronarzędzia. Nieprzestrzeganie wszystkich instrukcji zamieszczonych poniżej może spowodować porażenie prądem, pożar lub/i ciężkie obrażenia ciała.

Uwaga! Termin „elektronarzędzie” pojawiający się w ostrzeżeniach odnosi się do tego konkretnego elektronarzędzia zasilanego z sieci elektrycznej (za pośrednictwem przewodu) lub akumulatorem (bez użycia przewodu).

- Zachowaj wszystkie ostrzeżenia i instrukcja na przyszłość.
- Nie używaj produktu w stanie zmęczenia, choroby, pod wpływem alkoholu, narkotyków lub leków. Powyższe zdarzenia mają negatywny wpływ na zdolność widzenia, czujność, koordynację oraz ocenę sytuacji.
- Nie pozwól, aby produktu używało dziecko lub osoba nieobeznana z produktem.
- Nie wolno używać produktu, jeśli jest uszkodzony.
- Nie modyfikuj konstrukcji produktu.
- Produktu wolno używać wyłącznie zgodnie z jego zamierzonym przeznaczeniem.

2.3 Bezpieczeństwo w miejscu pracy

- Zadbaj o porządek i dobre oświetlenie w miejscu pracy. Nieuporządkowane lub ciemne miejsca pracy zwiększają ryzyko wypadku.
- Nie używaj elektronarzędzi w atmosferze wybuchowej, np. w obecności łatwopalnych płynów, gazów lub pyłów. Elektronarzędzia generują iskry, które mogą spowodować zapłon pyłów lub oparów.
- Używając elektronarzędzia, zachowaj odpowiednią odległość od dzieci i osób postronnych. Rozproszony użytkownik może stracić panowanie nad narzędziem.

2.4 Bezpieczeństwo elektryczne

- Wtyczka przewodu musi pasować do gniazda. Nie wolno w żaden sposób modyfikować wtyczki. Z uziemionymi elektronarzędziami nie używaj żadnych przejeściówek. Niezmodyfikowane wtyczki i dopasowane gniazda zmniejszają ryzyko porażenia prądem.
- Unikaj kontaktu ciała z uziemionymi powierzchniami, takimi jak rury, kaloryfery, piece czy lodówki. Istnieje zwiększone ryzyko porażenia prądem, jeśli ciało jest uziemione.
- Nie wystawiaj elektronarzędzia na działanie deszczu ani wilgoci. Wniknięcie wody do wnętrza elektronarzędzia zwiększa ryzyko porażenia prądem.

2.5 Bezpieczeństwo osobiste

- Podczas obsługi elektronarzędzia zachowaj czujność, obserwuj swoje działanie i zachowaj zdrowy rozsądek. Nie używaj elektronarzędzia w stanie zmęczenia lub pod wpływem narkotyków, alkoholu lub leków. Chwilna nieuwagi podczas obsługi elektronarzędzia może skutkować ciężkimi obrażeniami ciała.
- Stosuj środki ochrony indywidualnej. Zawsze używaj środków ochrony oczu. Środki ochrony indywidualnej, takie jak maska przeciwpyłowa, antypoślizgowe obuwie ochronne, kask lub środki ochrony słuchu odpowiednie do danej sytuacji, zmniejszają zakres ewentualnych obrażeń ciała.
- Zapobiegaj przypadkowemu uruchomieniu. Zanim podłączysz elektronarzędzie do źródła zasilania lub/i akumulatora, podniesiesz elektronarzędzie lub je przeniesiesz, upewnij się, że przełącznik jest w pozycji wyłączonej. Przenoszenie elektronarzędzia z palcem na przełączniku lub podłączanie do zasilania elektronarzędzi z przełącznikiem w pozycji włączonej zwiększają ryzyko wypadku.
- Przed włączeniem elektronarzędzia usuń z niego wszelkie klucze nastawne i inne narzędzia. Klucz lub inne narzędzia pozostawione na obracającej się części narzędzia mogą spowodować obrażenia ciała.
- Nie pochylaj się zbyt blisko nad urządzeniem. Przez cały czas utrzymuj stabilną postawę, aby nie stracić równowagi. Dzięki temu możesz lepiej kontrolować elektronarzędzie w nieoczekiwanych sytuacjach.
- Podczas obsługi urządzenia noś odpowiednią odzież. Nie noś luźnej odzieży ani biżuterii. Nie zbliżaj włosów ani odzieży do ruchomych części urządzenia. Luźne części odzieży, biżuteria i długie włosy mogą zostać wciągnięte przez ruchome części urządzenia.
- Jeśli urządzenie dostarczone w zestawie z akcesoriami / urządzeniami do odsysania pyłu, upewnij się, że zostały podłączone i są prawidłowo używane. Używanie akcesoriów odciągających pył może zmniejszyć zagrożenia powodowane przez nadmierne zapylenie.
- Pamiętaj, że doświadczenie zdobyte w wyniku częstego stosowania urządzenia nie usprawiedliwia brawurowych zachowań i ignorowania zasad bezpieczeństwa. Nieostrożne postępowanie może doprowadzić do ciężkich obrażeń w ułamku sekundy.

2.6 Obsługa i czyszczenie elektronarzędzia

- Nie przeciążaj elektronarzędzia. Używaj elektronarzędzia odpowiedniego do danego zastosowania. Elektronarzędzie działają optymalnie i bezpieczniej przy obciążeniu, pod kątem którego je skonstruowano.

- Nie używaj narzędzia, jeśli nie można go włączyć i wyłączyć przy użyciu przełącznika. Elektronarzędzia, których nie można włączyć lub wyłączyć przełącznikiem stwarzają zagrożenie i wymagają naprawy.
- Przed rozpoczęciem regulacji, wymiany akcesoriów lub przechowywania elektronarzędzia należy odłączyć wtyczkę od źródła zasilania i/lub wyjąć akumulator, jeśli można go odłączyć. Te zapobiegawcze środki ostrożności zmniejszają ryzyko niezamierzonego uruchomienia narzędzia.
- Przechowuj elektronarzędzie, z którego nie korzystasz, w miejscu niedostępnym dla dzieci. Nie pozwól, aby elektronarzędzie było używane przez dzieci lub osoby, które go nie są z nim zaznajomione i nie zapoznały się z zaleceniami dotyczącymi jego bezpiecznej obsługi. Elektronarzędzia są niebezpieczne w przypadku użycia przez nieprzeszkolonych osób.
- Konserwuj elektronarzędzia i ich akcesoria. Sprawdź, czy ruchome części nie są nieprawidłowo ustawione lub zakleszczone, czy nie są pęknięte i czy nie występują inne nieprawidłowości, które mogą mieć negatywny wpływ na działanie elektronarzędzia. W razie uszkodzenia elektronarzędzia należy je naprawić przed ponownym użyciem. Niedostateczna konserwacja elektronarzędzi jest częstą przyczyną wypadków.
- Utrzymuj elektronarzędzia tnące w czystości i dbaj o to, aby ich elementy tnące były odpowiednio ostre. Narzędzia tnące, które są prawidłowo konserwowane i mają odpowiednio ostre elementy tnące, rzadziej się zacinają i są łatwiejsze w obsłudze.
- Używaj elektronarzędzia, akcesoriów itp. w sposób zgodny z zaleceniami i z uwzględnieniem warunków pracy oraz przewidzianego zadania. Zastosowanie elektronarzędzi do celów innych niż te, do których są przeznaczone, może powodować zagrożenia.
- Dbaj o to, aby uchwyty i inne powierzchnie, które chwytaś były suche, czyste i niezabrudzone olejem czy smarem. Śliskie uchwyty i inne powierzchnie, które chwytaś obniżają bezpieczeństwo obsługi i utrudniają reakcję w nagłych sytuacjach.

2.7 Serwisowanie

- Elektronarzędzie może być serwisowane wyłącznie przez wykwalifikowany personel, stosujący identyczne części zamienne. Zapewnia to bezpieczną pracę elektronarzędzia.

2.8 Ostrzeżenia dotyczące bezpiecznej obsługi szlifierki stołowej

- Nie używaj uszkodzonych akcesoriów. Przed każdym użyciem sprawdź akcesoria, takie jak tarcze ściernie, pod kątem odprysków i pęknięć. Po sprawdzeniu

i zamontowaniu akcesorium poproś osoby postronne, aby oddaliły się od produktu, uruchom go z maksymalną prędkością bez obciążenia i pozostaw pracujący przez minutę. Stań z dala od produktu. Uszkodzone akcesoria zwykle rozpadają się podczas takiego testu.

- Prędkość znamionowa akcesorium musi być co najmniej równa maksymalnej prędkości podanej na elektronarzędziu. Jeśli akcesorium będzie pracowało szybciej niż wskazuje wartość na jego tabliczce znamionowej, może pęknąć i zostać wyrzucone w powietrze.
- Nigdy nie szlifuj po bokach tarcz szlifierskich. Szlifowanie z boku może doprowadzić do pęknięcia tarczy i wyrzucenia jej w powietrze.

3 Montaż

3.1 Montaż produktu

- Umocuj produkt na stole warsztatowym lub stojaku maszynowym za pomocą 4 śrub $\varnothing 6$ mm.

4 Montaż

4.1 Montaż osłon

- 1 Przymocuj wspornik osłony do pokrywy za pomocą śruby (A), podkładek (B) i nakrętki (C). (Rysunek 2)
- 2 Upewnij się, że odległość (D) pomiędzy tarczą szlifierską a dolną częścią wspornika nie jest większa niż 2 mm.

Uwaga! Regularnie reguluj odległość, ponieważ będzie się zwiększała w miarę używania się tarczy.

4.2 Montaż podpór narzędzia

- 1 Przytrzymaj podpórkę na szynie na pokrywie.
- 2 Zamontuj pokrętło (A), podkładki (B) i śrubę (C). (Rysunek 3)
- 3 Upewnij się, że odległość (D) pomiędzy tarczą szlifierską a podpórką nie przekracza 2 mm.

Uwaga! Regularnie sprawdzaj i ustawiaj pozycję tarczy, ponieważ odległość ta będzie się zwiększać w miarę używania się tarczy.

- 4 Upewnij się, że pomiędzy podpórką a styczną tarczy występuje kąt 85° .

5 Obsługa

5.1 Czynności do wykonania przed rozpoczęciem użytkowania urządzenia

- Zamontuj produkt. Patrz ["3.1 Montaż produktu" na stronie 28](#).
- Zamontuj osłony. Patrz ["4.1 Montaż osłon" na stronie 28](#).
- Zamontuj podpórki. Patrz ["4.2 Montaż podpór narzędzia" na stronie 28](#).
- Upewnij się, że tarcze szlifierskie mogą się swobodnie poruszać.

5.2 Włączanie i wyłączenie urządzenia.

- 1 Podłącz wtyczkę przewodu zasilającego do gniazda elektrycznego.
- 2 Aby uruchomić produkt, ustaw przycisk włączania/wyłączenia w pozycji „I”.
- 3 Aby zatrzymać produkt, ustaw przycisk włączania/wyłączenia w pozycji „O”.

5.3 Obsługa produktu

⚠ Ostrzeżenie! Nie używaj uszkodzonej lub mocno zużytej tarczy szlifierskiej.

- 1 Trzymaj obrabiany przedmiot obiema rękami i oprzyj go na podpórce.
- 2 Dociśnij obrabiany przedmiot do tarczy.

6 Konserwacja

⚠ Ostrzeżenie! Przed czyszczeniem lub wykonaniem jakichkolwiek prac konserwacyjnych zatrzymaj produkt, odłącz wtyczkę zasilającą od gniazda elektrycznego i poczekaj, aż produkt ostygnie.

⚠ Przestroga! Do czyszczenia plastikowych części nie używaj roztworów żrących ani na bazie rozpuszczalników.

- Po każdym użyciu usuń brud i zanieczyszczenia z produktu.
- Produkt należy czyścić suchą ściereczką.
- Sprawdź produkt pod kątem zużycia i uszkodzeń. Wymień uszkodzone części lub skontaktuj się z autoryzowanym serwisem.

6.1 Wymiana tarcz szlifierskich

Tarcze szlifierskie należy wymienić, jeśli odległość pomiędzy podpórką a tarczą wynosi więcej niż maksymalnie 2 mm lub jeśli tarcza uległa uszkodzeniu.

- 1 Zatrzymaj produkt i odłącz go od gniazda zasilania.
- 2 Wykręć 3 śruby (A) i zdejmij pokrywę (B). (Rysunek 4)
- 3 Zdejmij nakrętkę (C) z wrzeciona.

Uwaga! Nakrętka po prawej stronie produktu ma gwint prawoskrętny. Nakrętka po lewej stronie produktu ma gwint lewoskrętny

- 4 Zdejmij kołnierz (D).
- 5 Wymień tarczę szlifierską (E).
- 6 Obróć tarczę szlifierską ręką, aby upewnić się, że porusza się swobodnie.
- 7 Wykonaj montaż, wykonując powyższe czynności w odwrotnej kolejności.
- 8 Uruchom produkt i obserwuj go przez minutę podczas pracy bez obciążenia.

7 Przechowywanie

⚠ Ostrzeżenie! Przechowuj produkt w miejscu niedostępnym dla dzieci.

- Wyczyść produkt. Patrz ["6 Konserwacja" na stronie 29](#).
- Przechowuj produkt w suchym, nienarażonym na przymrozki pomieszczeniu w temperaturze otoczenia 10–30°C.
- Przechowuj produkt w oryginalnym opakowaniu lub przykryj go tkaniną w celu ochrony przed kurzem.

8 Utylizacja

8.1 Utylizowanie produktu

- Pamiętaj, aby postępować zgodnie z lokalnymi przepisami dotyczącymi utylizacji. Nie spalaj produktu.

9 Dane techniczne

Specyfikacja	Wartość
Napięcie	230 V~50 Hz
Moc	105 W S1/150 W S6 40%
Prędkość	2980 obr./min
Średnica tarczy	125 mm
Średnica otworu	16 mm
Grubość tarczy	12,7 mm
Wymiary	28,5 x 18,5 x 20,5 cm
Masa	5 kg
Poziom hałasu¹	
Poziom ciśnienia akustycznego, LpA	82,7 dB(A), K=3 dB
Poziom mocy akustycznej, LwA	95,7 dB(A), K=3 dB

! **Ostrzeżenie!** Zawsze stosuj środki ochrony słuchu!

! **Ostrzeżenie!** W zależności od sposobu korzystania z narzędzi i stosowanego materiału rzeczywisty poziom drgań i hałasu podczas pracy może różnić się od podanej wartości maksymalnej. Dlatego należy określić, w oparciu o ocenę narażenia na oddziaływanie szkodliwych czynników w warunkach rzeczywistych (przy wzięciu pod uwagę wszystkich części cyklu roboczego, jak również czasu, w którym narzędzie jest wyłączone lub pracuje na biegu jałowym, poza czasem rozruchowym), które środki zabezpieczające są wymagane, aby chronić użytkownika.

10 Usuwanie usterek

Problem	Możliwa przyczyna	Działanie
Produkt nie włącza się.	Produkt nie jest podłączony do gniazdka elektrycznego.	Podłącz przewód zasilający do gniazdka elektrycznego.
	Przewód zasilający lub wtyczka są uszkodzone.	W celu naprawy skontaktuj się z wykwalifikowanym elektrykiem.
	Inna usterka elektryczna.	W celu naprawy skontaktuj się z wykwalifikowanym elektrykiem.
Produkt nie osiąga pełnej mocy.	Jeśli używany jest przedłużacz, sprawdź, czy jest odpowiedniego typu.	Użyj odpowiedniego przedłużacza.
	Źródło zasilania ma zbyt niskie napięcie.	Podłącz produkt do innego źródła zasilania.

¹ Podana wartość emisji drgań została zmierzona znormalizowaną metodą badania i może zostać wykorzystana do porównywania elektronarzędzi oraz przygotowania wstępnej oceny narażenia. Zmierzone wartości zostały ocenione zgodnie z normą EN 62841-3-4:2016.

Inhaltsverzeichnis

1 Einführung	31
1.1 Produktbeschreibung.....	31
1.2 Symbole.....	31
1.3 Produktübersicht.....	31
2 Sicherheit	31
2.1 Sicherheitsdefinitionen.....	31
2.2 Allgemeine Sicherheitshinweise.....	32
2.3 Sicherheit im Arbeitsbereich.....	32
2.4 Elektrische Sicherheit.....	32
2.5 Persönliche Sicherheit.....	32
2.6 Verwendung und Pflege von Elektrowerkzeugen.....	33
2.7 Wartung und Pflege.....	33
2.8 Sicherheitshinweise für Doppelschleifer.....	33
3 Installation	33
3.1 So installieren Sie das Produkt.....	33
4 Montage	33
4.1 Montage der Schutzscheiben.....	33
4.2 Montage der Werkzeugablagen.....	33
5 Anwendung	34
5.1 Das müssen Sie tun, bevor Sie das Produkt verwenden.....	34
5.2 So starten und stoppen Sie das Produkt.....	34
5.3 So verwenden Sie das Produkt.....	34
6 Wartung und Pflege	34
6.1 Zum Ersetzen der Schleifscheiben.....	34
7 Lagerung	34
8 Entsorgung	34
8.1 So entsorgen Sie das Produkt.....	34
9 Technische Daten	35
10 Fehlersuche	35

1 Einführung

1.1 Produktbeschreibung

Doppelschleifmaschine mit 2 Schleifscheiben.

1.2 Symbole

	Lesen Sie die Bedienungsanleitung sorgfältig durch und stellen Sie sicher, dass Sie die Anweisungen verstanden haben, bevor Sie das Produkt verwenden. Bewahren Sie die Anweisungen zum späteren Nachschlagen auf.
	Schutzbrille tragen.
	Atemmaske tragen.
	Dieses Produkt entspricht den geltenden EU-Richtlinien und -Vorschriften.
	Als Elektroschrott entsorgen.

1.3 Produktübersicht

Abbildung 1

1. Schutzscheibe
2. Schleifscheibe
3. Werkzeugablage
4. EIN/AUS-Taste
5. Schutzvorrichtung
6. Montageset für die Werkzeugablage
7. Montagesatz für Schutzscheibe

2 Sicherheit

2.1 Sicherheitsdefinitionen

! Warnung! Wenn Sie diese Anweisungen nicht befolgen, besteht Lebens- und Verletzungsgefahr.

! Vorsicht! Wenn Sie diese Anweisungen nicht befolgen, besteht die Gefahr, dass das Produkt, andere Materialien oder der angrenzende Bereich beschädigt werden.

Hinweis! Informationen, die in einer bestimmten Situation notwendig sind.

2.2 Allgemeine Sicherheitshinweise

⚠️ Warnung! Lesen Sie alle Sicherheitswarnungen, Anweisungen, Abbildungen und Spezifikationen, die diesem Elektrowerkzeug beiliegen. Die Nichtbeachtung aller unten aufgeführten Anweisungen kann zu einem elektrischen Schlag, Brand und/oder schweren Verletzungen führen.

Hinweis! Der Begriff „Elektrowerkzeug“ in den Warnhinweisen bezieht sich auf Ihr netzbetriebenes (kabelgebundenes) Elektrowerkzeug oder Ihr batteriebetriebenes (kabelloses) Elektrowerkzeug.

- Bewahren Sie alle Warnhinweise und Anweisungen zum späteren Nachschlagen auf.
- Verwenden Sie das Produkt nicht, wenn Sie müde oder krank sind oder unter dem Einfluss von Alkohol, Drogen oder Medikamenten stehen. Dies wirkt sich negativ auf Ihr Sehvermögen, Ihre Wachsamkeit, Ihre Koordination und Ihr Urteilsvermögen aus.
- Erlauben Sie niemals Kindern oder Personen, die mit dem Produkt nicht vertraut sind, es zu benutzen.
- Verwenden Sie das Produkt niemals, wenn es defekt ist.
- Das Produkt darf nicht modifiziert werden.
- Das Produkt darf nur für den vorgesehenen Zweck verwendet werden.

2.3 Sicherheit im Arbeitsbereich

- Halten Sie den Arbeitsbereich sauber und gut beleuchtet. Unaufgeräumte oder dunkle Bereiche sind unfallträchtig.
- Arbeiten Sie nicht mit Elektrowerkzeugen in explosionsgefährdeten Bereichen, z. B. in der Nähe von brennbaren Flüssigkeiten, Gasen oder Staub. Elektrowerkzeuge erzeugen Funken, die den Staub oder die Dämpfe entzünden können.
- Halten Sie Kinder und Unbeteiligte fern, während Sie ein Elektrowerkzeug bedienen. Ablenkungen können dazu führen, dass Sie die Kontrolle verlieren.

2.4 Elektrische Sicherheit

- Die Stecker von Elektrowerkzeugen müssen mit der Steckdose kompatibel sein. Modifizieren Sie niemals den Stecker in irgendeiner Weise. Verwenden Sie keine Adapterstecker mit (geerdeten) Elektrowerkzeugen. Nicht modifizierte Stecker und kompatible Steckdosen verringern das Risiko eines Stromschlags.
- Vermeiden Sie Körperkontakt mit geerdeten Oberflächen, wie Rohren, Heizkörpern, Herden und Kühlschränken. Es besteht ein erhöhtes Risiko eines Stromschlags, wenn Ihr Körper geerdet ist.

- Setzen Sie Elektrowerkzeuge nicht dem Regen oder Nässe aus. Wenn Wasser in ein Elektrowerkzeug eindringt, erhöht sich die Gefahr eines Stromschlags.

2.5 Persönliche Sicherheit

- Seien Sie wachsam, achten Sie darauf, was Sie tun, und nutzen Sie Ihren gesunden Menschenverstand, wenn Sie ein Elektrowerkzeug bedienen. Verwenden Sie ein Elektrowerkzeug nicht, wenn Sie müde sind oder unter dem Einfluss von Drogen, Alkohol oder Medikamenten stehen. Ein Moment der Unachtsamkeit bei der Bedienung von Elektrowerkzeugen kann zu schweren Verletzungen führen.
- Verwenden Sie persönliche Schutzausrüstung. Tragen Sie immer eine Schutzbrille. Schutzausrüstungen wie Staubmaske, rutschfeste Sicherheitsschuhe, Schutzhelm oder Gehörschutz, die unter geeigneten Bedingungen verwendet werden, verringern Verletzungen.
- Verhindern Sie ein unbeabsichtigtes Starten. Vergewissern Sie sich, dass der Schalter in der Aus-Stellung ist, bevor Sie das Gerät an die Stromquelle und/oder den Akku anschließen, es in die Hand nehmen oder tragen. Das Tragen von Elektrowerkzeugen mit dem Finger auf dem Schalter oder das Einschalten von Elektrowerkzeugen, bei denen der Schalter eingeschaltet ist, kann leicht Unfälle verursachen.
- Entfernen Sie vor dem Einschalten des Elektrowerkzeugs alle Einstell- oder Schraubenschlüssel. Ein Schlüssel, der an einem rotierenden Teil des Elektrowerkzeugs verbleibt, kann zu Verletzungen führen.
- Halten Sie das Gerät nur am vorgesehenen Griff fest. Achten Sie stets auf einen festen Stand und ein gutes Gleichgewicht. Dies ermöglicht eine bessere Kontrolle des Elektrowerkzeugs in unerwarteten Situationen.
- Tragen Sie sichere Kleidung. Tragen Sie keine weite Kleidung und keinen Schmuck. Halten Sie Ihre Haare und Kleidung von beweglichen Teilen fern. Lose Kleidung, Schmuck oder lange Haare können sich in beweglichen Teilen verfangen.
- Wenn Vorrichtungen für den Anschluss von Staubabsaug- und Auffangzubehör vorhanden sind, stellen Sie sicher, dass diese angeschlossen sind und ordnungsgemäß verwendet werden. Die Verwendung einer Staubabsaugung kann staubbedingte Gefahren verringern.
- Lassen Sie nicht zu, dass Sie aufgrund der Vertrautheit, die Sie durch den häufigen Gebrauch von Werkzeugen erlangt haben, selbstgefällig werden und die Grundsätze der Werkzeugsicherheit ignorieren. Eine unvorsichtige Handlung kann im Bruchteil einer Sekunde zu schweren Verletzungen führen.

2.6 Verwendung und Pflege von Elektrowerkzeugen

- Setzen Sie das Elektrowerkzeug nicht mit Gewalt ein. Verwenden Sie das richtige Elektrowerkzeug für Ihre Anwendung. Das richtige Elektrowerkzeug erledigt die Arbeit besser, sicherer und in der Geschwindigkeit, für die es entwickelt wurde.
- Verwenden Sie das Elektrowerkzeug nicht, wenn der Schalter es nicht ein- und ausschaltet. Jedes Elektrowerkzeug, das sich nicht mit dem Schalter bedienen lässt, ist gefährlich und muss repariert werden.
- Ziehen Sie den Stecker aus der Steckdose und/oder entfernen Sie den Akku, falls er abnehmbar ist, bevor Sie Einstellungen vornehmen, Zubehörteile austauschen oder das Elektrowerkzeug lagern. Solche vorbeugenden Sicherheitsmaßnahmen verringern das Risiko einer unbeabsichtigten Inbetriebnahme des Elektrowerkzeugs.
- Bewahren Sie ungenutzte Elektrowerkzeuge außerhalb der Reichweite von Kindern auf und lassen Sie Personen, die mit dem Elektrowerkzeug oder dieser Anleitung nicht vertraut sind, das Elektrowerkzeug nicht bedienen. Elektrowerkzeuge sind in den Händen von ungeschulten Benutzern gefährlich.
- Pflegen Sie Elektrowerkzeuge und das Zubehör. Prüfen Sie, ob bewegliche Teile falsch ausgerichtet sind oder klemmen, ob Teile beschädigt sind oder ob andere Bedingungen vorliegen, die den Betrieb des Elektrowerkzeugs beeinträchtigen könnten. Lassen Sie das Elektrowerkzeug bei Beschädigungen vor der Verwendung reparieren. Viele Unfälle werden durch schlecht gewartete Elektrowerkzeuge verursacht.
- Halten Sie Schneidwerkzeuge scharf und sauber. Ordnungsgemäß gewartete Schneidwerkzeuge mit scharfen Klingen verklemmen sich seltener und sind leichter zu kontrollieren.
- Verwenden Sie das Elektrowerkzeug, das Zubehör, die Bits usw. gemäß dieser Anleitung und unter Berücksichtigung der Arbeitsbedingungen und der auszuführenden Arbeiten. Die Verwendung des Elektrowerkzeugs für andere als die vorgesehenen Arbeiten kann zu gefährlichen Situationen führen.
- Halten Sie Griffe und Greifflächen trocken, sauber und frei von Öl und Fett. Rutschige Griffe und Griffflächen ermöglichen keine sichere Handhabung und Kontrolle des Geräts in unerwarteten Situationen.

2.7 Wartung und Pflege

- Lassen Sie Ihr Elektrowerkzeug von einem qualifizierten Reparaturwart, der nur identische Ersatzteile verwendet. Dadurch wird sichergestellt, dass die Sicherheit des Elektrowerkzeugs erhalten bleibt.

2.8 Sicherheitshinweise für Doppelschleifer

- Verwenden Sie kein beschädigtes Zubehör. Überprüfen Sie vor jedem Gebrauch das Zubehör wie Schleifscheiben auf Splitter und Risse. Nachdem Sie ein Zubehörteil inspiziert und installiert haben, halten Sie sich und Unbeteiligte außerhalb des Bereichs des rotierenden Zubehörs und lassen Sie das Elektrowerkzeug eine Minute lang mit maximaler Geschwindigkeit ohne Last laufen. Normalerweise wird beschädigtes Zubehör während dieser Testzeit zerbrechen.
- Die angegebene Nenndrehzahl des Zubehörs muss mindestens so hoch sein wie die auf dem Elektrowerkzeug angegebene Höchstzahl. Zubehör, das schneller als die Nenndrehzahl läuft, kann brechen und umherfliegen.
- Schleifen Sie niemals an den Seiten einer Schleifscheibe. Das Schleifen an der Seite kann dazu führen, dass das Schleifrad bricht und herumfliegt.

3 Installation

3.1 So installieren Sie das Produkt

- Installieren Sie das Produkt mit 4 x Ø6 mm Schrauben auf einer Werkbank oder einem Maschinenständer.

4 Montage

4.1 Montage der Schutzscheiben

- 1 Befestigen Sie die Halterung für die Schutzscheibe mit der Schraube (A), den Unterlegscheiben (B) und der Mutter (C) an der Schutzvorrichtung. (Abbildung 2)
- 2 Achten Sie darauf, dass der Abstand (D) zwischen der Schleifscheibe und der Unterseite der Halterung nicht mehr als 2 mm beträgt.

Hinweis! Passen Sie den Abstand regelmäßig an, da der Abstand zunimmt, wenn sich die Schleifscheibe abnutzt.

4.2 Montage der Werkzeugablagen

- 1 Halten Sie die Werkzeugablage an der Schiene an der Schutzvorrichtung fest.
- 2 Den Knopf (A), die Unterlegscheiben (B) und die Schraube (C) einbauen. (Abbildung 3)
- 3 Achten Sie darauf, dass der Abstand (D) zwischen der Schleifscheibe und der Werkzeugablage nicht mehr als 2 mm beträgt.

Hinweis! Passen Sie den Abstand regelmäßig an, da der Abstand zunimmt, wenn sich die Schleifscheibe abnutzt.

9 Technische Daten

Spezifikation	Wert
Spannung	230 V~50 Hz
Leistung	105 W S1/150 W S6 40 %
Geschwindigkeit	2980/min
Durchmesser der Scheibe	125 mm
Lochdurchmesser	16 mm
Dicke der Scheibe	12,7 mm
Abmessungen	28,5 x 18,5 x 20,5 cm
Gewicht	5 kg
Geräuschpegel¹	
Schalldruckpegel, LpA	82,7 dB(A), K = 3 dB
Geräuschpegel, LwA	95,7 dB(A), K = 3 dB



Warnung! Stets Gehörschutz tragen!



Warnung! Der tatsächliche Vibrations- und Lärmpegel bei der Verwendung von Werkzeugen kann je nach Art der Verwendung des Werkzeugs und des Materials vom angegebenen Höchstwert abweichen. Daher muss ermittelt werden, welche Sicherheitsvorkehrungen zum Schutz des Anwenders erforderlich sind, und zwar auf der Grundlage einer Abschätzung der Exposition unter tatsächlichen Betriebsbedingungen (unter Berücksichtigung aller Phasen des Arbeitszyklus, z. B. der Zeit, in der das Werkzeug ausgeschaltet ist und sich im Leerlauf befindet, zusätzlich zur Anlaufzeit).

10 Fehlersuche

Problem	Ursache	Handlung
Das Produkt funktioniert nicht.	Das Produkt ist nicht an eine Steckdose angeschlossen.	Schließen Sie das Netzkabel an eine Steckdose an.
	Das Netzkabel oder der Stecker ist beschädigt.	Wenden Sie sich für Reparaturen an einen autorisierten Elektriker.
	Sonstiger elektrischer Fehler.	Wenden Sie sich für Reparaturen an einen autorisierten Elektriker.
Das Produkt erreicht nicht die volle Leistung.	Wenn ein Verlängerungskabel verwendet wird, stellen Sie sicher, dass es sich um den richtigen Typ handelt.	Verwenden Sie ein geeignetes Verlängerungskabel.
	Die Stromquelle hat eine zu niedrige Spannung.	Schließen Sie das Produkt an eine andere Stromquelle an.

¹ Die deklarierten Werte für Vibration und Lärm, die nach einem standardisierten Prüfverfahren gemessen wurden, können zum Vergleich verschiedener Werkzeuge miteinander und für eine vorläufige Bewertung der Exposition verwendet werden. Die Messwerte wurden ermittelt in Übereinstimmung mit EN 62841-3-4:2016.

Sisällysluettelo

1 Johdanto	36
1.1 Tuotteen kuvaus	36
1.2 Symbolit	36
1.3 Tuotteen yleiskuvas.....	36
2 Turvallisuus	36
2.1 Turvallisuusmääräykset	36
2.2 Yleiset turvaohjeet	37
2.3 Työalueen turvallisuus	37
2.4 Sähköturvallisuus	37
2.5 Henkilökohtainen turvallisuus.....	37
2.6 Sähkötyökalun käyttö ja hoito	37
2.7 Huolto.....	38
2.8 Pöytähiomakoneen turvallisuuteen liittyvät varoitukset.....	38
3 Asennus	38
3.1 Tuotteen asentaminen	38
4 Kokoaminen	38
4.1 Suojalevyjen kiinnittäminen	38
4.2 Hiomatukien kiinnittäminen.....	38
5 Käyttäminen	38
5.1 Toimenpiteet ennen tuotteen käyttöä	38
5.2 Tuotteen käynnistäminen ja sammuttaminen	39
5.3 Tuotteen käyttäminen.....	39
6 Huolto	39
6.1 Hiomalaikkojen vaihtaminen	39
7 Varastointi	39
8 Hävittäminen	39
8.1 Tuotteen hävittäminen	39
9 Tekniset tiedot	40
10 Vianetsintä	40

1 Johdanto

1.1 Tuotteen kuvaus

Pöytähiomakone 2 hiomalaikalla.

1.2 Symbolit

	Lue käyttöohjeet huolellisesti ja varmista ennen tuotteen käytön aloittamista, että olet ymmärtänyt ohjeet. Säilytä ohjeet myöhempää käyttöä varten.
	Käytä suojalaseja.
	Käytä hengityssuojainta.
	Tämä tuote noudattaa soveltuvia EU:n direktiivejä ja säädöksiä.
	Kierrätetään sähkö- ja elektroniikkalaiteromun mukana.

1.3 Tuotteen yleiskuvas

Kuva 1

1. Suojalevy
2. Hiomalaikka
3. Hiomatuki
4. Virtapainike
5. Suojus
6. Hiomatukien asennussarja
7. Suojalevyjen asennussarja

2 Turvallisuus

2.1 Turvallisuusmääräykset

! **Varoitus!** Jos näitä ohjeita ei noudateta, seurauksena voi olla kuolema tai vammautuminen.

! **Varoitus!** Jos näitä ohjeita ei noudateta, tuote, muut materiaalit tai ympäröivä alue voivat vahingoittua.

Huom! Välttämättömiä tietoja tiettyihin tilanteisiin.

2.2 Yleiset turvaohjeet

! **Varoitus!** Perehdy kaikkiin turvallisuusvaroituksiin, ohjeisiin, kuviin ja teknisiin tietoihin, jotka on toimitettu tämän sähkötyökalun mukana. Jos alla lueteltuja ohjeita ei noudateta, seurauksena voi olla sähköisku, tulipalo ja/tai vakava vamma.

Huom! Varoituksissa oleva termi "sähkötyökalu" tarkoittaa verkkovirralla toimivaa (johdollista) sähkötyökalua tai akkukäyttöistä (johdotonta) sähkötyökalua.

- Säilytä kaikki varoitukset ja ohjeet myöhempää käyttöä varten.
- Älä käytä tuotetta, jos olet väsynyt, sairaana tai alkoholin, huumeiden tai lääkkeiden vaikutuksen alainen. Nämä asiat heikentävät näkökykyäsi, valpauttasi, koordinaatiokykyäsi ja harkintakykyäsi.
- Älä anna lasten tai tuotteen käyttöön perehtymättömien henkilöiden käyttää tuotetta.
- Älä käytä tuotetta, jos se on vahingoittunut.
- Älä muokkaa tuotetta.
- Tuotetta saa käyttää vain sen käyttötarkoituksen mukaisesti.

2.3 Työalueen turvallisuus

- Pidä työalue puhtaana ja hyvin valaistuna. Sotkuiset tai pimeät alueet aiheuttavat onnettomuusriskin.
- Älä käytä sähkötyökaluja räjähdysalttiissa ympäristössä, kuten syttyvien nesteiden, kaasujen tai pölyn lähellä. Sähkötyökalu muodostaa kipinöitä, jotka voivat sytyttää pölyn tai höyryn.
- Pidä lapset ja sivulliset loitolla käyttäessäsi sähkötyökalua. Voit menettää työkalun hallinnan, mikäli suuntaa huomiosi muualle.

2.4 Sähköturvallisuus

- Sähkötyökalujen pistotulpan on sovittava pistorasiaan. Pistotulppaa ei saa muuttaa millään tavalla. Älä käytä sovittipistokkeita maadoitettujen sähkötyökalujen kanssa. Muuttamattomat pistokkeet ja sopivat pistorasiat vähentävät sähköiskun vaaraa.
- Vältä kosketusta maadoitettuihin pintoihin, kuten putkiin, lämpöpattereihin, liesiin tai jääkaappiin. Sähköiskun vaara on suurempi, jos kehosi on maadoitettu.
- Älä altista sähkötyökaluja sateelle tai kosteille olosuhteille. Sähkötyökaluun pääsevä vesi lisää sähköiskun vaaraa.

2.5 Henkilökohtainen turvallisuus

- Pysy valppaana, katso, mitä olet tekemässä ja käytä tervettä järkeä käyttäessäsi sähkötyökalua. Älä käytä sähkötyökalua väsyneenä tai huumeiden, alkoholin tai lääkkeiden vaikutuksen alaisena. Jos huomiosi herpaantuu pieneksikin hetkeksi käyttäessäsi sähkötyökaluja, seurauksena voi olla vakava henkilövahinko.
- Käytä henkilösuojaimia. Käytä aina suojalaseja. Asianmukaisissa olosuhteissa käytettävät henkilösuojaimet, kuten hengityssuojain, liukumattomat turvajalkineet, suojakypärä tai kuulosuojaimet, vähentävät käyttäjille aiheutuvia vammoja.
- Estä tuotteen tahaton käynnistyminen. Varmista, että kytkin on off-asennossa, ennen kuin kytket työkalun virtalähteeseen ja/tai akkuun tai nostat tai kannat työkalua. Jos kannat sähkötyökalua sormi virtakytkimellä tai kytket sähkötyökalun virtalähteeseen siten, että virtakytkin on päällä, seurauksena voi olla onnettomuus.
- Poista mahdolliset säätöavaimet tai jakoavaimet ennen sähkötyökalun käynnistämistä. Jakoavain tai muu avain, joka on jätetty kiinni sähkötyökalun pyörivään osaan, voi aiheuttaa henkilövahingon.
- Älä kurota. Säilytä aina tukeva asento ja tasapaino. Tämä mahdollistaa sähkötyökalun paremman hallinnan yllättävissä tilanteissa.
- Käytä asianmukaisia vaatteita. Älä käytä löysiä vaatteita tai koruja. Pidä hiukset ja vaatteet loitolla liikkuvista osista. Löysät vaatteet, korut tai pitkät hiukset voivat juuttua liikkuviin osiin.
- Jos laitteessa on kytkentämahdollisuus pölynpoisto- ja -keräyslaitteelle, varmista, että ne kytketään ja niitä käytetään oikein. Pölynkeräyslaitteen käyttö voi vähentää pölyyn liittyviä vaaroja.
- Vaikka olisit käyttänyt työkaluja usein ja tuntisit ne hyvin, muista aina ottaa huomioon työkalun turvamääräykset. Huolimaton käyttö voi aiheuttaa vakavia vahinkoja sekunnin murto-osassa.

2.6 Sähkötyökalun käyttö ja hoito

- Älä pakota sähkötyökalua. Käytä käyttötarkoitukseen suunniteltua sähkötyökalua. Oikean sähkötyökalun avulla työ sujuu paremmin ja turvallisemmin sillä nopeudella, jota varten se on suunniteltu.
- Älä käytä sähkötyökalua, jos virtakytkintä ei voi kääntää päälle ja pois. Jos sähkötyökalua ei voi ohjata kytkimellä, se on vaarallinen ja pitää korjata.
- Irrota pistoke virtalähteestä ja/tai irrota akku (jos se on irrotettava) sähkötyökalusta, ennen kuin säädät työkalua, vaihdat lisävarusteita tai siirät työkalun varastoon. Tällaiset varotoimet vähentävät riskiä, että sähkötyökalu käynnistetään vahingossa.

- Säilytä sähkötyökalut poissa lasten ulottuvilta, äläkä anna sähkötyökalua sellaisen henkilön käyttöön, joka ei tunne sitä tai ole perehtynyt näihin ohjeisiin. Sähkötyökalut ovat vaarallisia kouluttamattomien käyttäjien käsissä.
- Huolla sähkötyökaluja ja lisävarusteita. Tarkista etteivät liikkuvat osat ole väärin suunnattuja tai kiinni juuttuvia, ettei mikään osa ole vaurioitunut ja kaikki muut tekijät, jotka voivat vaikuttaa sähkötyökalun toimintaan. Jos sähkötyökalu on vahingoittunut, korjauta se ennen käyttöä. Monet onnettomuudet johtuvat huonosti huolletuista sähkötyökaluista.
- Pidä leikkuutyökalut terävinä ja puhtaina. Oikein huolletut leikkuutyökalut, joissa on terävät leikkuureunat, eivät juutu kiinni niin helposti ja niitä on helpompi hallita.
- Käytä sähkötyökalua, lisävarusteita ja työkalun teriä jne. näiden ohjeiden mukaisesti siten, että otat huomioon työolosuhteet ja suoritettavan tehtävän. Sähkötyökalun käyttäminen muihin kuin sille tarkoitettuihin tehtäviin voi aiheuttaa vaaratilanteen.
- Pidä kahvat ja tartuntapinnat kuivina, puhtaina sekä öljyttöminä ja rasvattomina. Liukkaat kahvat ja tartuntapinnat eivät mahdollista työkalun turvallista käsittelyä ja hallintaa odottamattomissa tilanteissa.

2.7 Huolto

- Huollata sähkötyökalusi pätevällä korjaajalla, joka käyttää vain täysin samanlaisia varaosia. Tämä varmistaa, että sähkötyökalu pysyy turvallisena käyttäjä.

2.8 Pöytähiomakoneen turvallisuuteen liittyvät varoitukset

- Älä käytä vaurioitunutta lisävarustetta. Tarkasta lisävaruste, kuten hiomalaikat, ennen jokaista käyttökertaa lohkeamien ja murtumien varalta. Kun olet tarkastanut ja asentanut lisävarusteen, siirry pois pyörivän lisävarusteen tasolta ja huolehdi, että myös kaikki sivulliset ovat pois sen tasolta. Käytä sitten sähkötyökalua suurimmalla kuormittamattomalla nopeudella minuutin ajan. Vaurioituneet lisävarusteet yleensä hajoavat tämän testausajan kuluessa.
- Lisävarusteen nimellisnopeuden on oltava vähintään yhtä suuri kuin sähkötyökaluun merkitty enimmäisnopeus. Jos lisävarusteet pyörivät nimellisnopeuttaan nopeammin, ne voivat rikkoutua ja niistä voi singota osia.
- Älä koskaan hio hiomalaikan sivuilla. Sivuilla hiominen voi saada laikan rikkoontumaan ja sinkoamaan kappaleiksi.

3 Asennus

3.1 Tuotteen asentaminen

- Asenna tuote työpenkkiin tai konejalustaan käyttäen 4 x Ø6 mm pultteja.

4 Kokoaminen

4.1 Suojalevyjen kiinnittäminen

- 1 Kiinnitä suojalevyn kannatin suojuksen pultilla (A), aluslevyllä (B) ja mutterilla (C). (Kuva 2)
- 2 Varmista, että hiomalaikan ja kannattimen alareunan välinen etäisyys (D) on enintään 2 mm.

Huom! Säädä etäisyyttä säännöllisesti, koska etäisyys suurenee hiomalaikan kuluessa.

4.2 Hiomatukien kiinnittäminen

- 1 Pidä hiomatukea suojuksen kiskossa.
- 2 Asenna nuppi (A), aluslevyt (B) ja pultti (C). (Kuva 3)
- 3 Varmista, että hiomalaikan ja hiomatuen välinen etäisyys (D) on enintään 2 mm.

Huom! Säädä etäisyyttä säännöllisesti, koska etäisyys suurenee hiomalaikan kuluessa.

- 4 Varmista, että hiomatuen ja hiomalaikan tangentin välillä on 85°:n kulma.

5 Käyttäminen

5.1 Toimenpiteet ennen tuotteen käyttöä

- Asenna tuote. Katso lisätietoja kohdasta "[3.1 Tuotteen asentaminen](#)" sivulla 38.
- Asenna suojalevyt. Katso lisätietoja kohdasta "[4.1 Suojalevyjen kiinnittäminen](#)" sivulla 38.
- Asenna hiomatuet. Katso lisätietoja kohdasta "[4.2 Hiomatukien kiinnittäminen](#)" sivulla 38.
- Varmista, että hiomalaikat voivat liikkua vapaasti.

5.2 Tuotteen käynnistäminen ja sammuttaminen

- 1 Liitä virtapistoke pistorasiaan.
- 2 Käynnistä tuote asettamalla virtapainike I-asentoon.
- 3 Sammuta tuote asettamalla virtapainike 0-asentoon.

5.3 Tuotteen käyttäminen

! **Varoitus!** Älä käytä vaurioitunutta tai liian kulunutta hiomalaikkaa.

- 1 Pidä molemmin käsin kiinni työkappaleesta ja tue se hiomatukeen.
- 2 Työnnä työkappale hiomalaikkaa vasten.

6 Huolto

! **Varoitus!** Sammuta tuote, irrota pistoke pistorasiasta ja anna tuotteen jäähtyä ennen kuin puhdistat sen tai teet sille huoltotoimia.

! **Huomio!** Älä käytä muoviosien puhdistamiseen hankaavia tai liuotinpohjaisia liuoksia.

- Poista tuotteesta lika ja roskat jokaisen käyttökerran jälkeen.
- Puhdista tuote kuivalla liinalla.
- Tarkasta tuote kulumisen ja vaurioiden varalta. Vaihda vaurioituneet osat tai ota yhteyttä valtuutettuun huoltoliikkeeseen.

6.1 Hiomalaikkojen vaihtaminen

Hiomalaikat on vaihdettava, jos työkalutuen ja hiomalaikan välinen enimmäisetäisyys 2 mm ylittyy tai jos hiomalaikka on vaurioitunut.

- 1 Sammuta tuote ja irrota se virtalähteestä.
- 2 Irrota 3 ruuvia (A) ja suojus (B). (Kuva 4)
- 3 Irrota mutteri (C) karasta.

Huom! Tuotteen oikealla puolella olevassa mutterissa on oikeakätinen kierre. Tuotteen vasemmalla puolella olevassa mutterissa on vasenkätinen kierre.

- 4 Irrota laippa (D).
- 5 Vaihda hiomalaikka (E).
- 6 Liikuta hiomalaikkaa käsin varmistaaksesi, että se liikkuu vapaasti.
- 7 Laita osat paikoilleen päinvastaisessa järjestyksessä.
- 8 Käynnistä tuote ja anna sen käydä 1 minuutti ilman kuormitusta.

7 Varastointi

! **Varoitus!** Säilytä tuotetta paikassa, jossa lapset eivät pääse siihen käsiksi.

- Puhdista tuote. Katso lisätietoja kohdasta "[6 Huolto](#)" [sivulla 39](#).
- Säilytä tuotetta kuivassa, pakkaselta suojatussa tilassa 10–30 °C:n lämpötilassa.
- Suojaa tuote pölyltä laittamalla se alkuperäiseen pakkaukseensa tai peittämällä se kankaalla.

8 Hävittäminen

8.1 Tuotteen hävittäminen

- Varmista, että hävität tuotteen paikallisten määräysten mukaisesti. Älä polta tuotetta.

9 Tekniset tiedot

Tieto	Arvo
Jännite	230 V ~ 50 Hz
Teho	105 W S1/150 W S6 40 %
Nopeus	2980/min
Laikan halkaisija	125 mm
Reiän halkaisija	16 mm
Laikan paksuus	12,7 mm
Mitat	28,5 x 18,5 x 20,5 cm
Paino	5 kg
Melutasot¹	
Äänipainetaso, LpA	82,7 dB(A), K= 3 dB
Äänitaso, LwA	95,7 dB(A), K= 3 dB

! **Varoitus!** Käytä aina kuulosuojaimia!

! **Varoitus!** Todellinen tärinä- ja melutaso työkalun käytön aikana voi poiketa määritetystä enimmäisarvosta käyttötavan ja materiaalin mukaan. Sen vuoksi on välttämätöntä määrittää, mitä turvatoimenpiteitä tarvitaan käyttäjän suojaamiseen todellisissa käyttöolosuhteissa syntyvän arvioidun altistumisen mukaisesti (huomioiden kaikki työvaiheet, esimerkiksi työkalun virrankatkaisuaika, tyhjääkäyntiaika ja käynnistysaika).

10 Vianetsintä

Ongelma	Syy	Toimenpide
Tuote ei käynnisty.	Tuotetta ei ole kytketty pistorasiaan.	Liitä virtajohto pistorasiaan.
	Virtajohto tai pistoke on vaurioitunut.	Ota yhteyttä valtuutettuun sähköasentajaan korjausta varten.
	Muu sähkövika.	Ota yhteyttä valtuutettuun sähköasentajaan korjausta varten.
Tuote ei saavuta täyttä tehoa.	Jos käytät jatkojohtoa, varmista, että sen tyyppi on oikea.	Käytä oikeanlaista jatkojohtoa.
	Virtalähteessä on liian alhainen jännite.	Liitä tuote toiseen virtalähteeseen.

¹ Ilmoitettuja tärinä- ja meluarvoja, jotka on mitattu standardoidulla testimenetelmällä, voidaan käyttää eri työkalujen vertailuun ja altistumisen alustavaan arviointiin. Mittausarvot on määritetty standardin EN 62841-3-4:2016 mukaisesti.

Sommaire

1	Introduction	41
1.1	Description du produit.....	41
1.2	Symboles.....	41
1.3	Présentation du produit.....	41
2	Sécurité	41
2.1	Définitions relatives à la sécurité.....	41
2.2	Consignes générales de sécurité.....	42
2.3	Sécurité sur le lieu de travail.....	42
2.4	Sécurité électrique.....	42
2.5	Sécurité personnelle.....	42
2.6	Utilisation et entretien des outils électriques.....	42
2.7	Service.....	43
2.8	Avertissements de sécurité pour le touret à meuler.....	43
3	Installation	43
3.1	Pour installer le produit.....	43
4	Assemblage	43
4.1	Pour assembler les écrans de protection.....	43
4.2	Pour assembler les porte-outils.....	43
5	Fonctionnement	43
5.1	Avant d'utiliser le produit.....	43
5.2	Pour démarrer et arrêter le produit.....	44
5.3	Pour utiliser le produit.....	44
6	Maintenance	44
6.1	Pour remplacer les meules.....	44
7	Stockage	44
8	Élimination	44
8.1	Pour éliminer le produit.....	44
9	Données techniques	45
10	Dépannage	45

1 Introduction

1.1 Description du produit

Meuleuse d'établi avec 2 meules.

1.2 Symboles

	Lisez attentivement le mode d'emploi et veillez à bien en comprendre les instructions avant d'utiliser le produit. Conservez ces instructions pour référence future.
	Portez des lunettes de protection.
	Portez un masque respiratoire.
	Ce produit est conforme aux directives et réglementations européennes en vigueur.
	Recycler comme déchet électrique.

1.3 Présentation du produit

Figure 1

1. Écran de protection
2. Meule
3. Porte-outil
4. Bouton MARCHE/ARRÊT
5. Garde
6. Kit d'assemblage de porte-outils
7. Kit de montage écran de protection

2 Sécurité

2.1 Définitions relatives à la sécurité

⚠ Avertissement ! Le non-respect de ces instructions induit un risque de mort ou de blessure.

⚠ Attention ! Le non-respect des présentes instructions induit un risque d'endommagement du produit, de tout autre matériel ou de la zone adjacente.

Remarque ! Informations nécessaires dans une situation donnée.

2.2 Consignes générales de sécurité

⚠ Avertissement ! Lisez tous les avertissements de sécurité, les instructions, les illustrations et les spécifications fournis avec cet outil électrique. Tout non-respect de l'ensemble des instructions ci-dessous peut entraîner un choc électrique, un incendie et/ou des blessures graves.

Remarque ! Les termes « outil électrique » utilisés dans les avertissements font référence à votre outil électrique fonctionnant sur secteur (avec fil) ou sur batterie (sans fil).

- Conservez tous les avertissements et toutes les instructions pour toute référence ultérieure.
- N'utilisez pas le produit si vous êtes fatigué(e), malade ou sous l'influence de l'alcool, de drogues ou de médicaments. Cela a un effet négatif sur votre vision, votre vigilance, votre coordination et votre jugement.
- Ne laissez aucun enfant ni personne non familiarisé(e) avec le produit l'utiliser.
- N'utilisez pas le produit s'il est endommagé.
- Ne modifiez pas le produit.
- Le produit doit être utilisé uniquement aux fins prévues.

2.3 Sécurité sur le lieu de travail

- Veillez à ce que la zone de travail soit propre et bien éclairée. Les zones encombrées ou sombres sont propices aux accidents.
- N'utilisez pas d'outils électriques dans des atmosphères explosives, par exemple en présence de liquides, de gaz ou de poussières inflammables. Les outils électriques produisent des étincelles qui peuvent enflammer la poussière ou les fumées.
- Tenez les enfants et les personnes présentes à l'écart lorsque vous utilisez un outil électrique. Les distractions peuvent vous faire perdre le contrôle.

2.4 Sécurité électrique

- Les fiches des outils électriques doivent correspondre à la prise de courant. Ne modifiez jamais la fiche de quelque manière que ce soit. N'utilisez pas de fiches d'adaptation avec des outils électriques mis à la terre. Des fiches non modifiées et des prises de courant adaptées réduisent le risque de choc électrique.
- Évitez tout contact du corps avec des surfaces mises à la terre, telles que des tuyaux, des radiateurs, des cuisinières et des réfrigérateurs. Le risque de choc électrique est accru si votre corps est mis à la terre.
- N'exposez pas les outils électriques à la pluie ou à l'humidité. La pénétration d'eau dans un outil électrique augmente le risque d'électrocution.

2.5 Sécurité personnelle

- Restez vigilant, regardez ce que vous faites et faites preuve de bon sens lorsque vous utilisez un outil électrique. N'utilisez pas un outil électrique si vous êtes fatigué(e) ou sous l'influence de drogues, d'alcool ou de médicaments. Un moment d'inattention lors de l'utilisation d'outils électriques peut entraîner des blessures corporelles graves.
- Utilisez un équipement de protection individuelle. Portez toujours des lunettes de protection. Un équipement de protection, comme un masque antipoussière, des chaussures de sécurité antidérapantes, un casque de protection ou une protection auditive, utilisé dans des conditions appropriées réduira les blessures corporelles.
- Prévenez tout démarrage intempestif. Assurez-vous que l'interrupteur est en position d'arrêt avant de brancher la source d'alimentation et/ou le bloc-batterie, et de saisir ou de porter l'outil. Le fait de porter des outils électriques avec le doigt sur l'interrupteur ou mettre sous tension des outils électriques dont l'interrupteur est allumé est propice à des accidents.
- Retirez toute clé de réglage ou clé à molette avant de mettre l'outil en marche. Une clé fixée à une pièce rotative de l'outil électrique peut entraîner des blessures.
- N'allez pas trop loin. Gardez un bon appui et un bon équilibre à tout moment. Cela permet de mieux contrôler l'outil électrique dans des situations inattendues.
- Habillez-vous de façon appropriée. Ne portez pas de vêtements amples ni de bijoux. Tenez vos cheveux et vos vêtements à l'écart des pièces mobiles. Les vêtements amples, les bijoux ou les cheveux longs peuvent se prendre dans les pièces en mouvement.
- Si des dispositifs sont prévus pour le raccordement d'installations d'extraction et de collecte des poussières, veillez à ce qu'ils soient raccordés et utilisés correctement. L'utilisation d'un système de collecte des poussières peut réduire les dangers liés à la poussière.
- Ne laissez pas la familiarité acquise par l'utilisation fréquente des outils vous amener à devenir négligent(e) et à ignorer les principes de sécurité des outils. Un geste imprudent peut entraîner des blessures graves en une fraction de seconde.

2.6 Utilisation et entretien des outils électriques

- Ne forcez pas sur l'outil électrique. Utilisez l'outil électrique adapté à votre tâche. L'outil électrique adéquat effectuera le travail bien mieux et de façon plus sûre, à la vitesse pour laquelle il a été conçu.
- N'utilisez pas l'outil électrique si l'interrupteur ne permet pas de le mettre en marche et de l'éteindre. Tout outil électrique qui ne peut être contrôlé par l'interrupteur est dangereux et doit être réparé.

- Débranchez la fiche de la source d'alimentation et/ou retirez le bloc-batterie, s'il est amovible, de l'outil électrique avant d'effectuer tout réglage, de changer d'accessoires ou de remiser l'outil. De telles mesures de sécurité préventives réduisent le risque de démarrage accidentel de l'outil électrique.

- Remisez les outils électriques à l'arrêt hors de portée des enfants et ne permettez pas à des personnes ne connaissant pas l'outil ou les présentes instructions de l'utiliser. Les outils électriques sont dangereux entre les mains d'utilisateurs non formés.

- Entretenez les outils électriques et leurs accessoires. Vérifiez si les pièces mobiles ne sont pas mal alignées ou coincées, si les pièces ne sont pas cassées et si rien n'est susceptible d'affecter le fonctionnement de l'outil électrique. S'il est endommagé, faites réparer l'outil électrique avant de l'utiliser. De nombreux accidents sont causés par des outils électriques mal entretenus.

- Veillez à ce que les outils de coupe restent affûtés et propres. Les outils de coupe dotés d'arêtes tranchantes correctement entretenus sont moins susceptibles de se coincer et sont plus faciles à contrôler.

- Utilisez l'outil électrique, les accessoires et les embouts, etc. conformément aux présentes instructions, en tenant compte des conditions de travail et de la tâche à accomplir. L'utilisation de l'outil électrique pour des tâches autres que celles prévues peut induire une situation dangereuse.

- Gardez les poignées et les surfaces de préhension sèches, propres et exemptes d'huile et de graisse. Des poignées et des surfaces de préhension glissantes ne permettent pas de manipuler et de contrôler l'outil en toute sécurité dans des situations imprévues.

2.7 Service

- Faites réparer votre outil électrique par un réparateur qualifié en utilisant uniquement des pièces de rechange identiques. Cela permet de garantir la sécurité de l'outil électrique.

2.8 Avertissements de sécurité pour le touret à meuler

- N'utilisez pas un accessoire endommagé. Avant chaque utilisation, inspectez les accessoires tels que les meules abrasives pour déceler les éclats et les fissures. Après avoir inspecté et installé un accessoire, éloignez-vous ainsi que les personnes présentes du plan de l'accessoire en rotation et faites fonctionner l'outil électrique à la vitesse maximale à vide pendant une minute. Les accessoires endommagés se briseront normalement pendant cette période de test.

- La vitesse nominale de l'accessoire doit être au moins égale à la vitesse maximale indiquée sur l'outil électrique. Les accessoires fonctionnant plus vite que leur vitesse nominale peuvent se briser et s'envoler.
- Ne meulez jamais sur les côtés d'une meule. Le meulage sur le côté peut provoquer la rupture et l'éclatement de la roue.

3 Installation

3.1 Pour installer le produit

- Installez le produit sur un établi de travail ou un support de machine avec 4 boulons Ø6 mm.

4 Assemblage

4.1 Pour assembler les écrans de protection

- 1 Fixez le support de l'écran de protection à la protection avec le boulon (A), les rondelles (B) et l'écrou (C). (Figure 2)
- 2 Assurez-vous que la distance (D) entre la meule et le bas du support ne dépasse pas 2 mm.

Remarque ! Ajustez régulièrement la distance car la distance augmentera avec l'usure de la meule.

4.2 Pour assembler les porte-outils

- 1 Maintenez le porte-outil sur le rail de la protection.
- 2 Installez le bouton (A), les rondelles (B) et le boulon (C). (Figure 3)
- 3 Assurez-vous que la distance (D) entre la meule et le porte-outil ne dépasse pas 2 mm.

Remarque ! Ajustez régulièrement la distance car la distance augmentera avec l'usure de la meule.

- 4 Assurez-vous qu'il y a un angle de 85 ° entre le porte-outil et la tangente de la meule.

5 Fonctionnement

5.1 Avant d'utiliser le produit

- Pour installer le produit Reportez-vous à [« 3.1 Pour installer le produit » à la page 43.](#)
- Installez les écrans de protection. Reportez-vous à [« 4.1 Pour assembler les écrans de protection » à la page 43.](#)

- Assemblez les porte-outils. Reportez-vous à « [4.2 Pour assembler les porte-outils](#) » à la page 43.
- Assurez-vous que les meules peuvent bouger librement.

5.2 Pour démarrer et arrêter le produit.

- 1 Branchez la fiche électrique à une prise secteur.
- 2 Réglez le bouton MARCHÉ/ARRÊT sur la position « I » pour démarrer le produit.
- 3 Réglez le bouton MARCHÉ/ARRÊT sur la position « 0 » pour arrêter le produit.

5.3 Pour utiliser le produit

⚠ Avertissement ! N'utilisez pas une meule endommagée ou trop usée.

- 1 Tenez la pièce à usiner à deux mains et appuyez-la sur le porte-outil.
- 2 Poussez la pièce contre la meule.

6 Maintenance

⚠ Avertissement ! Arrêtez le produit, débranchez la fiche d'alimentation de la prise de courant et laissez le produit refroidir avant de le nettoyer ou d'effectuer un entretien.

⚠ Attention ! Ne pas utiliser de solutions abrasives ou à base de solvants pour nettoyer le produit.

- Retirez la saleté et les débris du produit après chaque utilisation.
- Nettoyez le produit à l'aide d'un chiffon sec.
- Inspectez le produit pour en déceler toute usure ou tout dommage. Remplacez les pièces endommagées ou contactez un centre de service agréé.

6.1 Pour remplacer les meules

Les meules doivent être remplacées si la distance maximale de 2 mm entre le support d'outil et la meule a été dépassée ou si la meule a été endommagée.

- 1 Arrêtez le produit et débranchez-le de la prise de courant.
- 2 Retirez les 3 vis (A) et la protection (B). (Figure 4)
- 3 Retirez l'écrou (C) de la broche.

Remarque ! L'écrou sur le côté droit du produit est fileté à droite. L'écrou sur le côté gauche du produit est fileté à gauche

- 4 Retirez la bride (D).
- 5 Remplacez la meule (E).
- 6 Déplacez la meule à la main pour vous assurer qu'elle bouge librement.
- 7 Pour l'installation, procédez dans l'ordre inverse.
- 8 Démarrez le produit et laissez-le fonctionner pendant 1 minute sans charge.

7 Stockage

⚠ Avertissement ! Conservez le produit dans un endroit inaccessible aux enfants.

- Nettoyez le produit. Reportez-vous à « [6 Maintenance](#) » à la page 44.
- Conserver le produit dans un endroit sec et à l'abri du gel à une température ambiante de 10 à 30°C.
- Mettez le produit dans son emballage d'origine ou couvrez-le d'un chiffon pour le protéger de la poussière.

8 Élimination

8.1 Pour éliminer le produit

- Veillez à respecter les réglementations locales quand vous mettez le produit au rebut. Ne brûlez pas le produit.

9 Données techniques

Spécifications	Valeur
Tension	230 V ~ 50 Hz
Puissance	105 W S1/150 W S6 40 %
Vitesse	2980/min
Diamètre du disque	125 mm
Diamètre de l'essieu	16 mm
Épaisseur du disque	12,7 mm
Dimensions	28,5 x 18,5 x 20,5 cm
Poids	5 kg
Niveaux de bruit¹	
Niveau de pression acoustique, LpA	82,7 dB(A), K=3 dB
Niveau de puissance sonore, LwA	95,7 dB(A), K=3 dB

⚠ Avertissement ! Portez toujours une protection auditive !

⚠ Avertissement ! Le niveau réel de vibration et de bruit lors de l'utilisation des outils peut différer de la valeur maximale spécifiée, en fonction de la façon dont l'outil est utilisé et du matériau. Il convient dès lors de déterminer les mesures de sécurité nécessaires pour protéger l'utilisateur, sur la base d'une estimation de l'exposition dans les conditions réelles de fonctionnement (en tenant compte de toutes les étapes du cycle de travail, par exemple le moment où l'outil est éteint et celui où il est au point mort, en plus du temps de démarrage).

10 Dépannage

Problème	Cause	Action
Le produit ne s'allume pas.	Le produit n'est pas connecté à la prise de courant.	Branchez le câble d'alimentation à la prise de courant.
	Le câble d'alimentation ou la fiche est endommagé.	Contactez un électricien agréé pour les réparations.
	Autre défaut électrique.	Contactez un électricien agréé pour les réparations.
Le produit n'atteint pas sa pleine puissance.	Si une rallonge est utilisée, assurez-vous qu'elle est du bon type.	Utilisez une rallonge appropriée.
	La source d'alimentation a une tension trop basse.	Connectez le produit à une autre source d'alimentation.

¹ Les valeurs déclarées pour les vibrations et le bruit, qui ont été mesurées selon une méthode de test normalisée, peuvent être utilisées pour une comparaison de différents outils et une évaluation préliminaire de l'exposition. Les valeurs de mesure ont été déterminées conformément à la norme EN 62841-3-4:2016.

Inhoudsopgave

1 Inleiding	46
1.1 Productbeschrijving	46
1.2 Symbolen.....	46
1.3 Productoverzicht.....	46
2 Veiligheid	46
2.1 Definities van veiligheid	46
2.2 Algemene veiligheidsvoorschriften.....	47
2.3 Veiligheid werkgebied.....	47
2.4 Elektrische veiligheid.....	47
2.5 Persoonlijke veiligheid	47
2.6 Gebruik en onderhoud van elektrisch gereedschap	47
2.7 Service	48
2.8 Veiligheidswaarschuwingen voor bankslijpmachines.....	48
3 Installatie	48
3.1 Het product installeren.....	48
4 Montage	48
4.1 De veiligheidsschermen monteren.....	48
4.2 De gereedschapsteunen monteren.....	48
5 Gebruik	48
5.1 Doen voordat u het product gebruikt.....	48
5.2 Het product starten en stoppen.....	49
5.3 Het product bedienen	49
6 Onderhoud	49
6.1 De slijpschijven vervangen.....	49
7 Opbergen	49
8 Afvoeren	49
8.1 Het product weggooien	49
9 Technische gegevens	50
10 Problemen oplossen	50

1 Inleiding

1.1 Productbeschrijving

Bankslijpmachine met 2 slijpschijven.

1.2 Symbolen

	Lees de gebruiksaanwijzing zorgvuldig en zorg ervoor dat u de instructies begrijpt voordat u het product gebruikt. Bewaar de instructies voor toekomstig gebruik.
	Draag oogbescherming.
	Draag een ademhalingsmasker.
	Dit product voldoet aan de geldende EU-richtlijnen en -verordeningen.
	Recyclen als elektrisch afval.

1.3 Productoverzicht

Afbeelding 1

1. Veiligheidsscherm
2. Slijpschijf
3. Gereedschapsteun
4. AAN/UIT-knop
5. Beschermkap
6. Montageset voor gereedschapsteun
7. Montageset voor veiligheidsscherm

2 Veiligheid

2.1 Definities van veiligheid

⚠ Waarschuwing! Als u zich niet aan deze voorschriften houdt, kan dat leiden tot (dodelijk) letsel.

⚠ Voorzichtig! Als u zich niet aan deze voorschriften houdt, kan dat leiden tot schade aan het product, overige materialen of de nabije omgeving.

Let op! Informatie die in bepaalde situaties noodzakelijk is.

2.2 Algemene veiligheidsvoorschriften



Waarschuwing! Lees en bekijk alle veiligheidswaarschuwingen, instructies, afbeeldingen en specificaties bij dit elektrische gereedschap. Wanneer u dat nalaat, kan een elektrische schok, brand en/of ernstig letsel het gevolg zijn.

Let op! De term 'elektrisch gereedschap' in de waarschuwingen verwijst naar uw met netvoeding (met snoer) of met accu (snoerloos) aangedreven elektrische gereedschap.

- Bewaar alle waarschuwingen en instructies voor toekomstig gebruik.
- Gebruik het product niet als u moe, ziek of onder invloed van alcohol, drugs of medicijnen bent. Dat heeft een negatief effect op uw gezichtsvermogen, alertheid en coördinatie- en beoordelingsvermogen.
- Laat dit product niet gebruiken door kinderen of mensen die er onbekend mee zijn.
- Gebruik het product niet als het is beschadigd
- Pas het product niet aan.
- Het product mag uitsluitend worden gebruikt voor het beoogde doel.

2.3 Veiligheid werkgebied

- Houd het werkgebied schoon en goed verlicht. Rommelige of donkere terreinen nodigen uit tot ongelukken.
- Gebruik elektrische gereedschappen niet in een explosieve omgeving, zoals in de aanwezigheid van ontvlambare vloeistoffen, gassen of stof. Elektrische gereedschappen creëren vonken, waardoor het stof of de dampen zouden kunnen ontbranden.
- Houd kinderen en omstanders uit de buurt wanneer u een elektrisch gereedschap gebruikt. Wanneer u wordt afgeleid, kunt u de controle verliezen.

2.4 Elektrische veiligheid

- Stekkers van elektrisch gereedschap moeten passen op het contact. Breng nooit wijzigingen aan in de stekker. Gebruik geen adapters bij geaard elektrisch gereedschap. Ongewijzigde stekkers en passende contacten verkleinen het gevaar van elektrische schokken.
- Vermijd lichamelijk contact met gearde oppervlakken, zoals leidingen, radiators, fornuizen en koelkasten. Er is een groter risico op elektrische schokken als uw lichaam geaard of in contact met massa is.
- Stel elektrisch gereedschap niet bloot aan regen of vochtige omstandigheden. Wanneer er water in een elektrisch gereedschap komt, vergroot dat het risico op een elektrische schok.

2.5 Persoonlijke veiligheid

- Wees alert, let op wat u doet en gebruik uw gezond verstand wanneer u een elektrisch gereedschap bedient. Gebruik geen elektrische gereedschappen wanneer u moe of onder invloed van drugs, alcohol of medicijnen bent. Een moment van onoplettendheid bij het gebruik van elektrisch gereedschap kan ernstig lichamelijk letsel veroorzaken.
- Gebruik een persoonlijke veiligheidsuitrusting. Draag altijd oogbescherming. Veiligheidsuitrusting als een stofmasker, antislip veiligheidsschoenen, een hard hoofddekseel of gehoorbescherming, gebruikt in de juiste omstandigheden, verkleint de kans op lichamelijk letsel.
- Voorkom onbedoeld starten. Zorg ervoor dat de schakelaar in de uit-stand staat voordat u het gereedschap aansluit op een stroombron en/of accupakket, het optilt of draagt. Het dragen van elektrisch gereedschap met uw vinger op de schakelaar of het activeren van elektrisch gereedschap met de schakelaar aan nodigt uit tot ongelukken.
- Verwijder eventuele stel- en moersleutels voordat u het elektrische gereedschap inschakelt. Een achtergebleven (moer)sleutel die is bevestigd aan een draaiend onderdeel van het elektrische gereedschap kan resulteren in lichamelijk letsel.
- Reik niet buiten uw macht. Zorg te allen tijde voor een goed houvast en bewaar uw evenwicht. Dan hebt u in onverwachte situaties betere controle over het elektrische gereedschap.
- Draag geschikte kleding. Draag geen losse kleding of sieraden. Houd uw haar en kleding uit de buurt van bewegende delen. Losse kleding, sieraden en lang haar kunnen verstrikt raken in bewegende delen.
- Als apparaten een aansluiting hebben voor voorzieningen voor het afzuigen en verzamelen van stof, zorg er dan voor dat deze op de juiste wijze aangesloten en gebruikt worden. Toepassing van stofafzuiging kan stofgerelateerde gevaren oplossen.
- Zorg dat u door bekendheid verkregen uit frequent gebruik van gereedschappen niet zelfgenoegzaam wordt en principes inzake gereedschapsveiligheid negeert. Een onzorgvuldige actie kan in een fractie van een seconde ernstig letsel veroorzaken.

2.6 Gebruik en onderhoud van elektrisch gereedschap

- Forceer het elektrische gereedschap niet. Gebruik het juiste elektrische gereedschap voor uw toepassing. Met het juiste elektrische gereedschap kunt u het karwei beter en veiliger uitvoeren in het tempo waarvoor het was ontworpen.

- Gebruik het elektrische gereedschap niet als de schakelaar het niet aan- en uitzet. Een elektrisch gereedschap dat niet kan worden bediend met de schakelaar is gevaarlijk en moet gerepareerd worden.
- Neem de stekker uit de stroombron en/of neem het accupakket, indien dit kan worden ontkoppeld, los van de energiebron alvorens afstellingen te doen, accessoires te wijzigen of elektrische gereedschappen op te slaan. Dergelijke preventieve veiligheidsmaatregelen verkleinen het risico dat het elektrische gereedschap per ongeluk wordt gestart.
- Sla inactieve elektrische gereedschappen op buiten het bereik van kinderen en laat mensen die niet bekend zijn met het elektrische gereedschap of met deze instructies het elektrische gereedschap niet gebruiken. Elektrische gereedschappen zijn gevaarlijk in de handen van ongetrainde gebruikers.
- Onderhoud elektrische gereedschappen en accessoires. Controleer op onjuiste uitlijning of vastlopen van bewegende delen, breuken in delen en enige andere toestand die van invloed kan zijn op de werking van het elektrische gereedschap. Laat een beschadigd elektrisch gereedschap vóór gebruik repareren. Ongelukken worden vaak veroorzaakt door slecht onderhouden elektrisch gereedschap.
- Houd snijgereedschappen scherp en schoon. Juist onderhouden snijgereedschappen met scherpe snijranden lopen minder gauw vast en zijn eenvoudiger te bedienen.
- Gebruik het elektrische gereedschap, accessoires, gereedschapsbitjes enz. volgens deze instructies, rekening houdend met de werkomstandigheden en het uit te voeren werk. Gebruik van het elektrische gereedschap voor werkzaamheden die afwijken van waarvoor het bedoeld is, zou tot een gevaarlijke situatie kunnen leiden.
- Houd handgrepen en grijpvlakken droog, schoon en vrij van olie en vet. Gladde handen en grijpvlakken staan het veilig hanteren en bedienen van het gereedschap in onverwachte situaties in de weg.

2.7 Service

- Laat uw elektrische gereedschap onderhouden door een gekwalificeerd reparatiemonteur, die uitsluitend identieke vervangende onderdelen gebruikt. Dat garandeert dat het elektrische gereedschap veilig blijft.

2.8 Veiligheidswaarschuwingen voor bankslijpmachines

- Gebruik geen beschadigde accessoires. Controleer vóór elk gebruik de accessoires, zoals schuurschijven, op spanen en scheuren. Nadat u een accessoire hebt geïnspecteerd en geïnstalleerd, plaatst u uzelf en omstanders uit de buurt van het roterende accessoire en laat u het elektrische apparaat één minuut draaien op de maximale onbelaste snelheid.

Beschadigde accessoires zullen normaal gesproken uit elkaar vallen tijdens deze testtijd.

- De nominale snelheid van het accessoire moet ten minste gelijk zijn aan de maximumsnelheid die op het elektrische gereedschap is aangegeven. Accessoires die sneller draaien dan hun nominale snelheid kunnen breken en uit elkaar vliegen.
- Slijp nooit op de zijkanten van een slijpschijf. Door aan de zijkant te slijpen kan het wiel breken en uit elkaar vliegen.

3 Installatie

3.1 Het product installeren

- Installeer het product op een werkbank of een machinestandaard met 4 x Ø6 mm bouten.

4 Montage

4.1 De veiligheidsschermen monteren

- 1 Bevestig de beugel van het veiligheidsscherm met de bout (A), de ringen (B) en de moer (C) aan de beschermkap (Afbeelding 2)
- 2 Zorg ervoor dat de afstand (D) tussen de slijpschijf en de onderkant van de beugel niet meer dan 2 mm is.

Let op! Pas de afstand regelmatig aan omdat de afstand groter wordt naarmate de slijpschijf slijt.

4.2 De gereedschapsteunen monteren

- 1 Houd de gereedschapsteun op de rail van de beschermkap.
- 2 Installeer de knop (A), de sluitringen (B) en de bout (C). (Afbeelding 3)
- 3 Zorg ervoor dat de afstand (D) tussen de slijpschijf en de gereedschapsteun niet meer dan 2 mm is.

Let op! Pas de afstand regelmatig aan omdat de afstand groter wordt naarmate de slijpschijf slijt.

- 4 Zorg ervoor dat er een hoek van 85° is tussen de gereedschapsteun en de raaklijn van de slijpschijf.

5 Gebruik

5.1 Doen voordat u het product gebruikt

- Het product installeren Zie '[3.1 Het product installeren](#)' op [pagina 48](#).

- Installeer de veiligheidsschermen. Zie '[4.1 De veiligheidsschermen monteren](#)' op pagina 48.
- Zet de gereedschapssteunen in elkaar. Zie '[4.2 De gereedschapsteunen monteren](#)' op pagina 48.
- Zorg ervoor dat de slijpschijven vrij kunnen bewegen.

5.2 Het product starten en stoppen.

- 1 Sluit de stekker aan op het stopcontact.
- 2 Zet de AAN/UIT-knop in de stand "I" om het product te starten.
- 3 Zet de AAN/UIT-knop op "0" om het product te stoppen.

5.3 Het product bedienen

⚠ Waarschuwing! Gebruik geen beschadigde of te versleten slijpschijven.

- 1 Houd het werkstuk met beide handen vast en steun het op de gereedschapsteun.
- 2 Duw het werkstuk tegen de slijpschijf.

6 Onderhoud

⚠ Waarschuwing! Stop het product, haal de stekker uit het stopcontact en laat het product afkoelen voordat u het schoonmaakt of er onderhoud aan pleegt.

⚠ Voorzichtig! Gebruik geen schuurmiddelen of producten op basis van oplosmiddelen om de plastic onderdelen te schoon te maken.

- Verwijder na elk gebruik vuil en afval van het product.
- Reinig het product met een droge doek.
- Controleer het product op slijtage en schade. Vervang beschadigde onderdelen of neem contact op met een erkend servicecentrum.

6.1 De slijpschijven vervangen

De slijpschijven moeten worden vervangen als de maximale afstand van 2 mm van de gereedschapshouder tot de slijpschijf overschreden is, of als de slijpschijf beschadigd is.

- 1 Stop het product en koppel het los van het stopcontact.
- 2 Verwijder de 3 schroeven (A) en de beschermkap (B). (Afbeelding 4)
- 3 Verwijder de moer (C) van de as.

Let op! De moer aan de rechterkant van het product heeft rechtse schroefdraad. De moer aan de linkerkant van het product heeft linkse schroefdraad

- 4 Verwijder de flens (D).
- 5 Vervang de slijpschijf (E).
- 6 Beweeg de slijpschijf met de hand om te controleren of deze vrij beweegt.
- 7 Monteer weer in de tegenovergestelde volgorde.
- 8 Start het product en laat het 1 minuut onbelast draaien.

7 Opbergen

⚠ Waarschuwing! Bewaar het product op een plek die ontoegankelijk is voor kinderen.

- Reinig het product. Zie '[6 Onderhoud](#)' op pagina 49.
- Bewaar het product in een droge, vorstvrije ruimte bij een omgevingstemperatuur van 10-30°C.
- Stop het product in de originele verpakking of bedek het met een doek om het tegen stof te beschermen.

8 Afvoeren

8.1 Het product weggooien

- Volg de lokale voorschriften wanneer u het product weggooit. Verbrand het product niet.

9 Technische gegevens

Specificaties	Waarde
Spanning	230 V ~ 50 Hz
Vermogen	105 W S1/150 W S6 40%
Snelheid	2980 min
Diameter schijf	125 mm
Diameter opening	16 mm
Dikte schijf	12,7 mm
Afmetingen	28,5 x 18,5 x 20,5 cm
Gewicht	5 kg
Geluidsniveaus¹	
Geluidsdrukniveau, LpA	82,7 dB(A), K = 3 dB
Niveau geluidsvermogen, LwA	95,7 dB(A), K = 3 dB

⚠ Waarschuwing! Draag altijd gehoorbeschermers!

⚠ Waarschuwing! De werkelijke trillings- en geluidsniveaus bij het gebruik van gereedschap kunnen verschillen van de opgegeven maximumwaarde, afhankelijk van hoe het gereedschap wordt gebruikt en van het materiaal. Daarom moet worden bepaald welke veiligheidsmaatregelen nodig zijn om de gebruiker te beschermen, op basis van een schatting van de blootstelling onder werkelijke werkomstandigheden (rekening houdend met alle fases van de werkcyclus, bijv. de tijd dat het gereedschap is uitgeschakeld en stationair draait, naast de opstarttijd).

10 Problemen oplossen

Probleem	Oorzaak	Actie
Het product start niet.	Het product is niet aangesloten op het stopcontact.	Sluit het netsnoer aan op de stopcontact.
	Het netsnoer of de stekker is beschadigd.	Neem contact op met een erkende elektricien voor een reparatie.
	Andere elektrische storing.	Neem contact op met een erkende elektricien voor een reparatie.
Het product bereikt niet het volledige vermogen.	Als er een verlengkabel wordt gebruikt, zorg er dan voor dat deze van het juiste type is.	Gebruik een juiste verlengkabel.
	De voedingsbron heeft een te lage spanning.	Sluit het product aan op een andere voedingsbron.

¹ De opgegeven waarden voor trillingen en geluid gemeten volgens een gestandaardiseerde testmethode, kunnen worden gebruikt om verschillend gereedschap met elkaar te vergelijken en om de blootstelling vooraf te beoordelen. De meetwaarden zijn vastgesteld in overeenstemming met NEN-EN 62841-3-4:2016.



**EU DECLARATION OF CONFORMITY / EU FÖRSÄKRAN OM ÖVERENSSTÄMMELSE / EU SAMSVARSERKLÄRING /
EU-OVERENSSTEMMELSESERKLÄRING / DEKLARACJA ZGODNOŚCI UE / EU KONFORMITÄTSERKLÄRUNG /
EU VAATIMUSTENMUKAISUUSVAKUUTUS / DÉCLARATION UE DE CONFORMITÉ / EU CONFORMITÄTTSVERKLÄRUNG**

Jula Item number / Artikelnummer / Artikelnummer / Varenummer / Numer artykułu / Artikelnummer /
Tuotenumero / Numéro de référence / Artikelnummer

027869

Model no.: DG3212M



Jula AB, Box 363, SE-532 24 SKARA, SWEDEN

This declaration of conformity is issued under the sole responsibility of the manufacturer. / Denna försäkran om överensstämmelse utfärdas på tillverkarens eget ansvar. / Denne samsvarserklæring er utstedt under ansvaret til produsenten. / Denne overensstemmelseserklæring udstedes på fabrikantens eneansvar. / Niniejsza deklaracja zgodności wydana zostaje na wyłączną odpowiedzialność producenta. / Dieses Konformitätserklärung wird unter der alleinigen Verantwortung des Herstellers ausgestellt. / Tämä vaatimustenmukaisuusvakuutus on annettu valmistajan yksinomaista vastuulla. / La présente déclaration de conformité est émise sous la seule responsabilité du fabricant. / Deze conformiteitsverklaring wordt afgegeven onder de uitsluitende verantwoordelijkheid van de fabrikant.

**BENCH GRINDER / BÄNKSLIP / BENKSLIPER / BÆNKSLIBER / SZLIFIERKA STOŁOWA /
TISCHSCHLEIFMASCHINE / PENKKIHIOMAKONE / MEULEUSE / SLIJP WERKBANK**

230V, 105W S1, 150W S6 40%

Conforms to the following directives, regulations and standards: / Överensstämmer med följande direktiv, förordningar och standarder: / Er i samsvar med følgende direktiver, forordning og standarder: / Overholder følgende direktiver, forordninger og standarder: / Sa zgodne z następującymi dyrektywami, regulacja i normami: / Entspricht den folgenden Richtlinien, Vorschriften und Normen: / Seuraavien direktiivien, asetusten ja standardien mukainen: / Conforme aux directives, règlements et normes suivants: / Voldoet aan de volgende richtlijnen, voorschriften en normen:

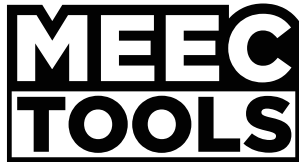
Directive/Regulation	Harmonised standard
MD 2006/42/EC	EN 62841-1:2015, EN 62841-3-4:2016/A1:2020
EMC 2014/30/EU	EN IEC 55014-1:2021, EN IEC 55014-2:2021, EN IEC 61000-3-2:2019+A1, EN 61000-3-3:2013+A1+A2
RoHS 2011/65/EU + 2015/863	EN 50581:2012

This product was CE marked in year: / Produkten CE-märktes år: / Dette produktet ble CE-merket dette året: / Produktet blev CE-mærket i år: / Wyrób oznakowany znakiem CE w roku: / Dieses Produkt erhielt die CE-Kennzeichnung im Jahr: / Tämä tuote on CE-merkitty vuonna: / Ce produit a reçu le marquage CE en: / Dit product werd CE-gemarkeerd in het jaar: -24

Skara 2024-01-31

Mattias Lif

BUSINESS AREA MANAGER (Signatory for Jula and authorised to compile the technical documentation. / Undertecknat för Jula samt behörigt att sammanställa den tekniska dokumentationen. / Signert for Jula og kvalifisert til å sammenfatte den tekniske dokumentasjonen. / Underskrevet på vegne af Jula og bemyndiget til udarbejdelse af den tekniske dokumentation. / Podpisano w imieniu Jula oraz osoby upoważnionej do sporządzenia dokumentacji technicznej. / Unterzeichnet im von Jula und befugt, die technische Dokumentation zusammenzustellen / Allekirjoittanut Julan puolesta ja valtuutettu kokoamaan tekniset asiakirjat. / Signé au nom de Jula et habilité Namen à établir la documentation technique. / Ondertekend namens Jula en gemachtigde voor de samenstelling van de technische documentatie



www.jula.com