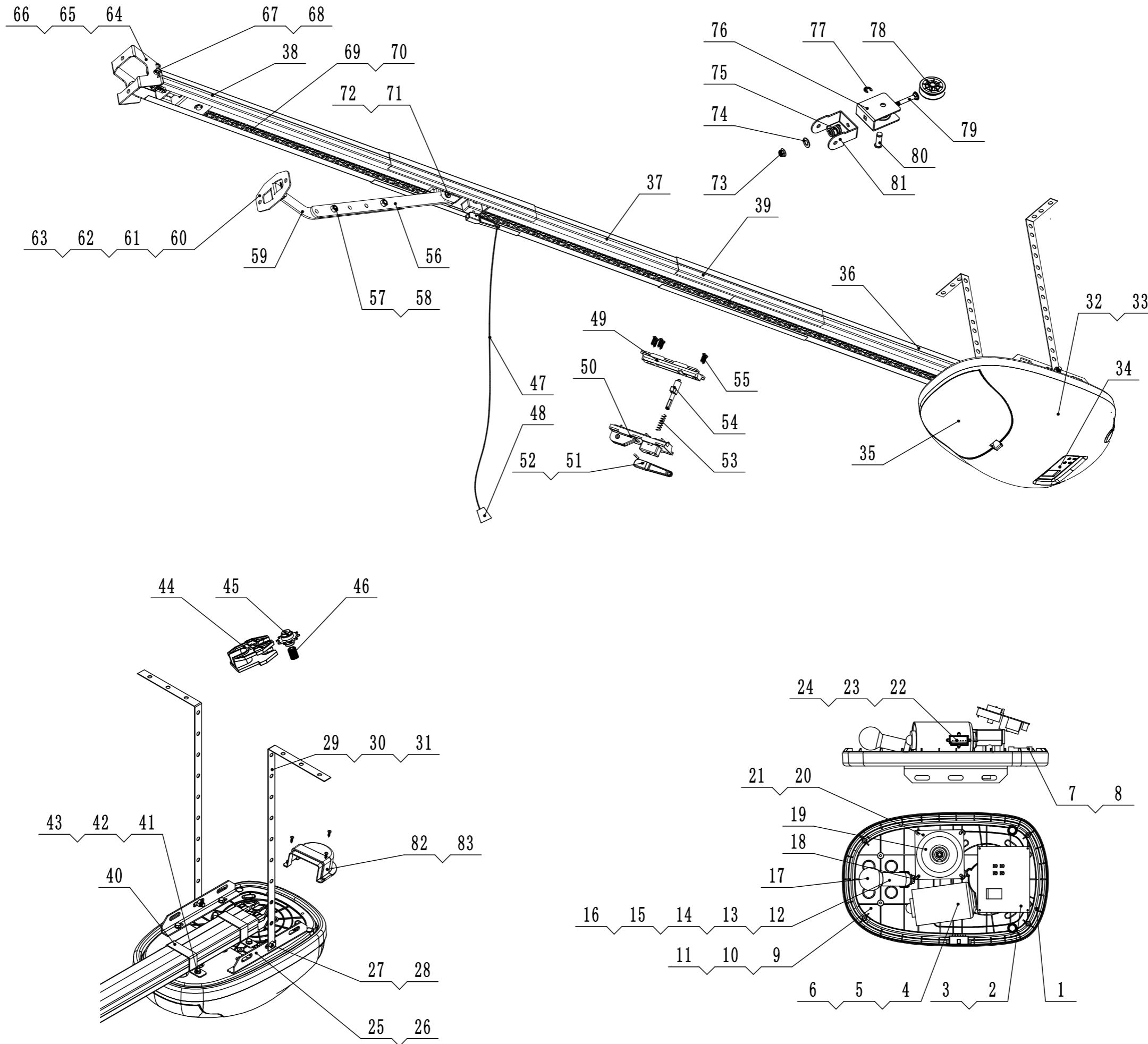


Jula item 018980 SPARE PARTS LIST FOR CASAR800



Jula item 018980

No	Description
1	Base
2	Control panel
3	Self tapping nail ST2.9x8 (4pcs)
4	DC Motor
5	Hex screw -M6x20 (3pcs)
6	Spring pad (3pcs)
7	Power wire terminal
8	Self tapping nail ST3.5x9.5(2pcs)
9	1.5m wire
10	Wire card
11	Self tapping nail ST4.2x13 (2pc)
12	Lamp holder
13	Lamp holder and terminal link
14	Heat-shrinkable tube ϕ 6x500
15	Connect the shelf
16	Self tapping nail ST3.5x9.5
17	Bulb
18	Connect threaded sleeve
19	Transformer
20	Transformer connection plate
21	Self tapping nail ST4.2x13 (4pcs)
22	Terminal
23	Terminal cover
24	Self tapping nail ST2.5x8 (4pcs)
25	Connection bracket (2pcs)
26	Hexagon screw bolt M6x16 (4pcs)
27	Hex screw bolt M8x16 (2pcs)
28	Nut- M8 (2pcs)
29	Hanging board (2pcs)
30	Hex self tapping nail ST6.3x45(2pcs)
31	Plug (2pcs)
32	Housing
33	Self tapping nail ST4.2x13 (4pcs)
34	Stickers
35	Lamp cover
36	Door machine end guide rail
37	Middle end rail (2pcs)
38	Front rail
39	Connection sleeve (3pcs)
40	U-shaped plate (2pcs)
41	Hex screw bolt M6x16 (4pcs)
42	Flat pad (5pcs)
43	Spring pad (4pcs)
44	Sprocket base
45	Sprocket
46	Motor spline sleeve
47	Drawstring
48	Rope end
49	Slider cover

No	Description
50	Slider lower cover
51	Clutch lever
52	Dowel 3.2x18
53	Spring D8xd0.8xH32
54	Lock dowel
55	Phillips screw ST3.5x10(6pcs)
56	Straight tie rod
57	Hex screw bolt M8x16 (2pcs)
58	Nut M8 (2pcs)
59	Curved tie rod
60	Door connector
61	Dowel ϕ 7.8x20
62	R-Shaped dowel
63	Hex self tapping nail ST6.3x2
64	Wall connector
65	Hex self tapping nail ST6.3x45
66	Plug (2pcs)
67	Dowel with hole ϕ 7.8x80
68	R-Shaped dowel
69	Chain
70	Lock block
71	Dowel with hole ϕ 7.8x20
72	R-Shaped dowel
73	Nut M8 (1pcs)
74	Washers (1pc)
75	Spring D14xd3xH23
76	Driven wheel seat
77	Shaft retaining ring
78	Driven wheel
79	Bolt
80	Card slot pin
81	Chain tension seat
82	Chain Cover
83	Self tapping nail ST3.5x9.5