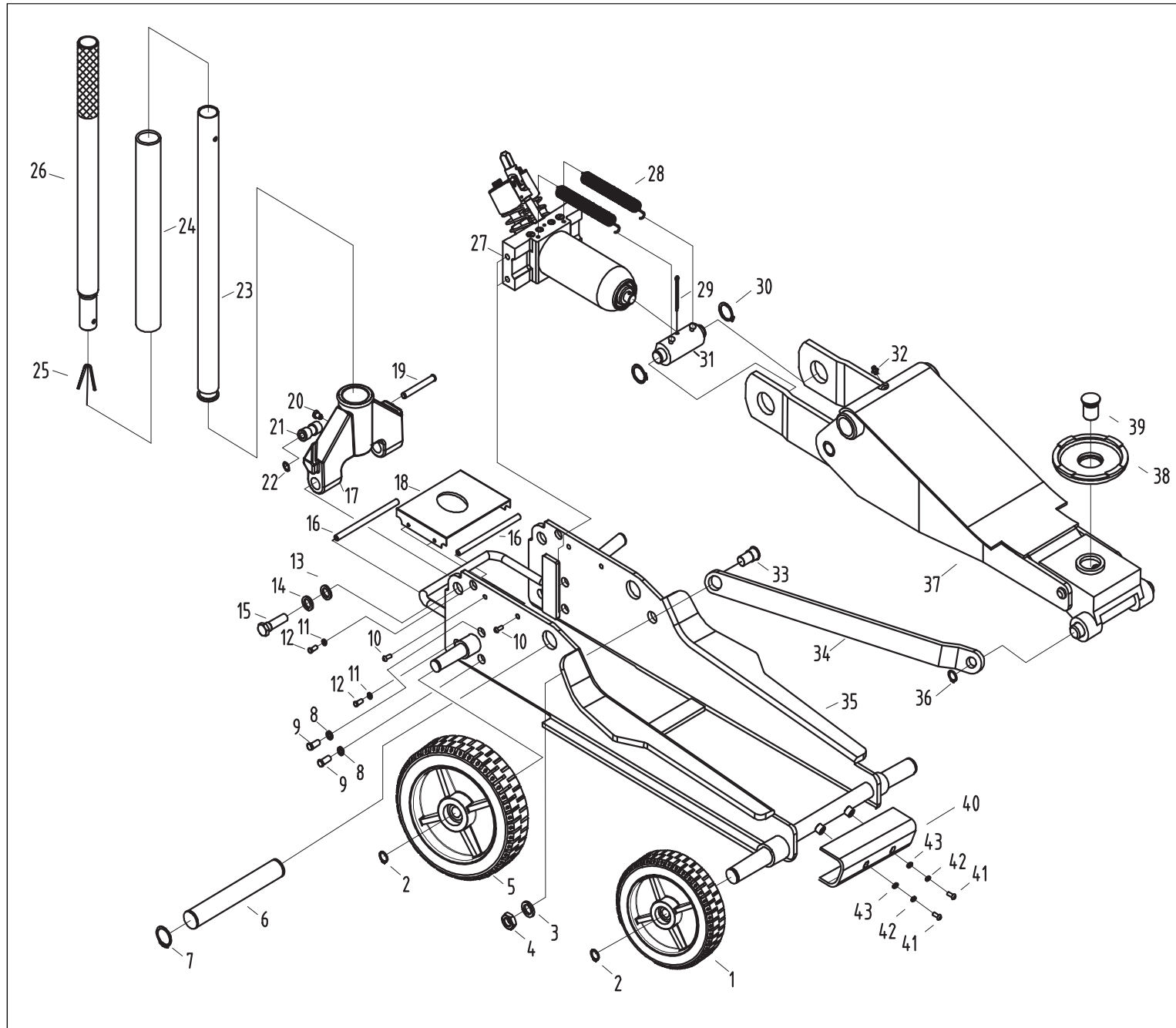


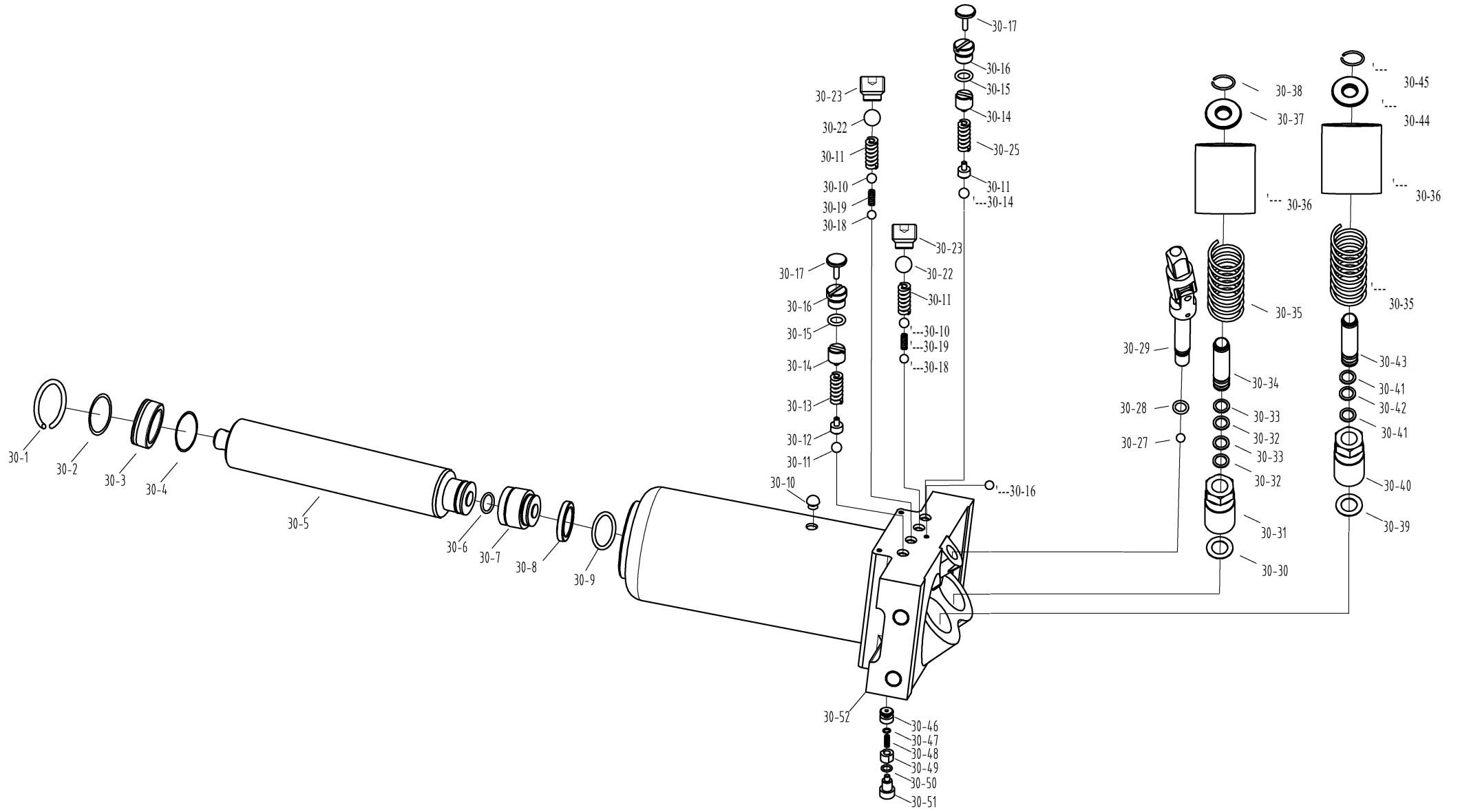
Jula item 023750



Jula item 023750

No.	DESC	Q'TY	No.	DESC	Q'TY
1	Front Wheel	2	23	Front Handle	1
2	Retainer Ring 15	4	24	Handle Sleeve	1
3	Washer 16	2	25	Pin	1
4	Nut 16	2	26	Rear Handle	1
5	Rear Wheel	2	27	Hydraulic Pump	1
6	Lifting Arm Axle	1	28	Spring	2
7	Retainer Ring 25	2	29	Pin 4X50	1
8	Washer 10	4	30	Retainer Ring 20	2
9	Bolt M10X25	4	31	Connecting Rod	1
10	Screw ST5.5X16	4	32	Oil Cup M6	1
11	Washer 8	4	33	Bolt	2
12	Bolt M8X20	4	34	Long Connecting Rod	2
13	Washer	2	35	Frame	1
14	Washer 18	2	36	Retainer Ring 14	2
15	Bolt	2	37	Lifting Arm	1
16	Shaft	2	38	Saddle	1
17	Handle Socket	1	39	Screw	1
18	Cover	1	40	Shield	1
19	Scroll Wheel Shaft	1	41	Screw M6X10	2
20	Screw	1	42	Washer 6	2
21	Scroll Wheel	1	43	Washer 6	2
22	Washer 12	1			

Jula item 023750



Jula item 023750

TL-1525C HYDSRAULIC POWER UNIT PARTS LIST		
Item No.	DESC	Q'TY
30-1	Snap Ring	1
*30-2	O-ring $\Phi 37.5 \times 2.65$	1
30-3	Retaining Ring	1
*30-4	O-ring $\Phi 29.8 \times 3.1$	1
30-5	Piston Rod	1
30-6	Retaining Ring	1
30-7	Piston Rod Head	1
*30-8	Washer	1
*30-9	O-ring	1
*30-10	Oil Plug	1
30-11	Steel Ball $\Phi 7.0000 \text{G}16$	1
30-12	Steel Ball Seat	2
30-13	Safety Valve Spring	1
30-14	Screw	2
*30-15	O-ring	2
30-16	Screw	2
30-17	Cap	2
30-18	Steel Ball $\Phi 5.50000 \text{G}16$	2
30-19	Low Pressure Sppring	2
30-20	Steel Ball $\Phi 8.0000 \text{G}16$	2
30-21	High Pressure Spring	2
30-22	Steel Ball $\Phi 10.0000 \text{G}16$	2
30-23	Screw M12X16	2
30-24	Steel Ball $\Phi 4.0000 \text{G}16$	1
30-25	Safety Valve Spring	1
30-26	Steel Ball $\Phi 5.0000 \text{G}16$	1
30-27	Steel Ball $\Phi 6.0000 \text{G}16$	1
*30-28	O-ring $\Phi 8 \times 1.8$	1
30-29	Oil Drain Valve Stem	1
*30-30	Cooper Washer	1
30-31	Hydraulic Power Unit	1
*30-32	O-ring B	2
*30-33	Nylong Gasket	2
30-34	Pump Core A	1
30-35	Spring	2
30-36	Dust Cap	2
30-37	Cover Board	1
30-38	Snap Ring A	1
*30-39	Cooper Washer	1
30-40	Hydraulic Power Unit	1
*30-41	O-ring	2
*30-42	Pump Core Retaining Ring	1
30-43	Pump Core	1
30-44	Cover Board	1
30-45	Snap Ring	1
30-46	Sealing Pad	1
30-47	O-ring 5×1.8	1
30-48	Spring	1
30-49	Throttling Block	1
*30-50	Cooper Washer	1
30-51	Sealing Screw	1
30-52	Hydraulic Power Unit Base	1

Marked with * is the seal kits,our item number is TL-1525C-S.