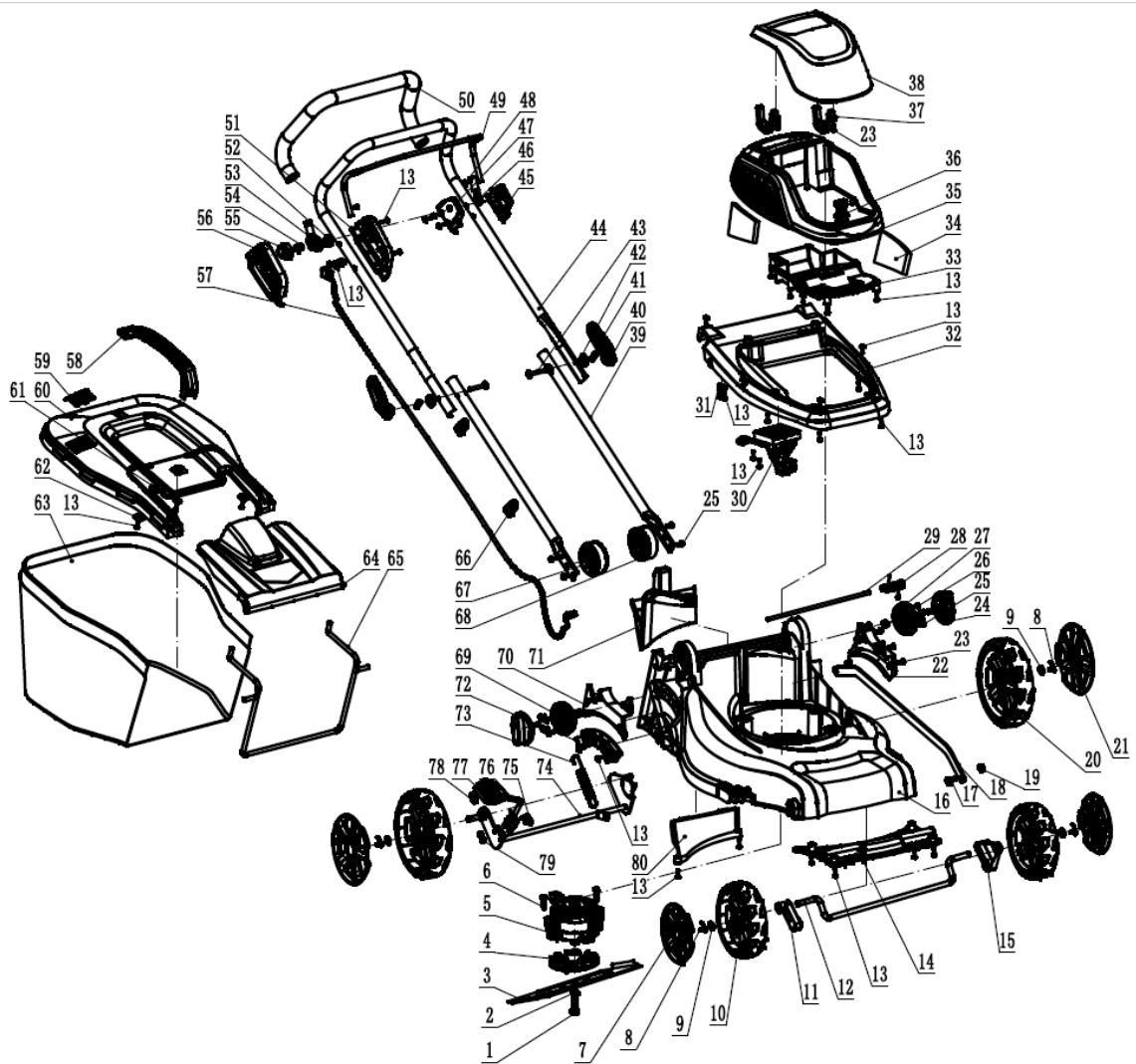


Jula item 022106 LMB4043S,



Jula item 022106 LMB4043S,

40V 43cm Lawm mower parts list			
NO.	SK ERP code	Parts description	Qty/unit engine
		in English	
1	80700005-02	M10x1.25x30 screw	1
2	320500038	Spring washers 10	1
3	80201645-01	The blade(430)	1
4	80301797-01	The blade holder	1
5	67000066-01	brushless motor 10027-02	1
6	80700081-02	ST6.3x25-H-C Self tapping screw	4
7	80301933-01	wheel cover(170)	2
8	80201514-01	Cotter pin $\Phi$ 2x15	4
9	320500039	Flat gasket10	4
10	80301931-01	wheel (170)	2
11	80301930-02	front wheel Right clamp	1
12	80201650-01	Front axle(430)	1
13	80700075-16	ST4.2x16-H-F Self tapping screw	44
14	80301928-01	grass comb board(430)	1
15	80301929-02	front wheel Left clamp	1
16	80301922-01	chassis(430)	1
17	80700374-01	M6x20 Hexagonal bolt	1
18	80201651-01	Connecting rod buckle(430)	1
19	80700043-02	M6Hex nut with non-metallic insert	2
20	80301932-01	wheel(200)	2
21	80301934-01	wheel cover(200)	2
22	80301967-02	Left decorative	1
23	320200333	ST4.2x12-H-F Self tapping screw	10
24	80301940-01	The mechanism of screw	2
25	80700079-12	ST4.8x16 Self tapping screw	12
26	80700052-10	M8hexagon nut	2
27	80301924-01	Fixed tooth left	1
28	80201647-01	Back cover torsional spring(430)	1
29	80201646-01	Back cover shaft(430)	1
30	80101457-01	controller	1
31	340400628	Line pressing board	2
32	80301921-01	upper housing(430)	1
33	80101419-02	Single - pack battery bin assembly	1
34	80400498-01	Dust-proof cotton	2
35	80301918-01	Battery holder	1
36	80101270-01	Boot key assembly	1
37	230400483	rolling support	2
38	80301919-01	battery cover	1
39	80201649-02	Adjust lever	2
40	80301764-04	Fast lock knob	2
41	80201521-01	nuts M6	2
42	80700147-02	Flat gasket $\Phi$ 8%x $\Phi$ 24%x3	2
43	80700364-02	Square neck bolt M6%x50	2
44	80201648-02	upturn putter	1
45	80301914-01	Trigger seat - left	1
46	80301762-01	Steel trigger fixing seat (left)	1
47	80301915-01	Trigger seat - right	1

Jula item 022106 LMB4043S,

40V 43cm Lawm mower parts list			
NO.	SK ERP code	Parts description	Qty/unit engine
		in English	
48	320200327	ST3.5x10-H-C Self tapping screw	2
49	80201560-02	Wire trigger	1
50	80400497-01	Sponge sheath	1
51	80301913-01	Top cover of switch box	1
52	80201431-01	Switch box torsion spring	1
53	80301763-01	Steel trigger fixing seat (right)	1
54	331100184	Angle adjustment button spring	1
55	80301757-06	switch button	1
56	80301942-01	Lower cover of switch box	1
57	80101528-01	Switch harness assembly	1
58	80301936-01	Grass box handle	1
59	80301937-01	Grass indicator board	1
60	80301943-01	grass basket upper cover	1
61	80700145-02	Flat gasket $\Phi 5 \times \Phi 16 \times 1$	1
62	80700375-01	Flat gasket $\Phi 4.5 \times \Phi 22 \times 1$	2
63	80301970-02	A bag (430)	1
64	80301923-01	Rear cover	1
65	80201652-01	Cloth rack	1
66	80301969-01	Line buckle	2
67	80301917-01	Right-hand teeth	1
68	80301916-01	Left-hand teeth	1
69	80301925-01	Right fixed tooth	1
70	80301968-02	Right decorative	1
71	80301935-01	block (430)	1
72	80301926-01	Adjust lever block	1
73	80201498-01	Regulating rod spring	1
74	80201654-01	Back axle(430)	1
75	80700024-19	M5x16 screw	2
76	80101413-01	Connecting rod buckle-1	1
77	80301939-01	Regulating lever handle	1
78	80700024-18	M5x8 screw	2
79	80700015-16	M5Lock nut with non-metallic insert	2
80	80301927-01	bottom board(430)	1