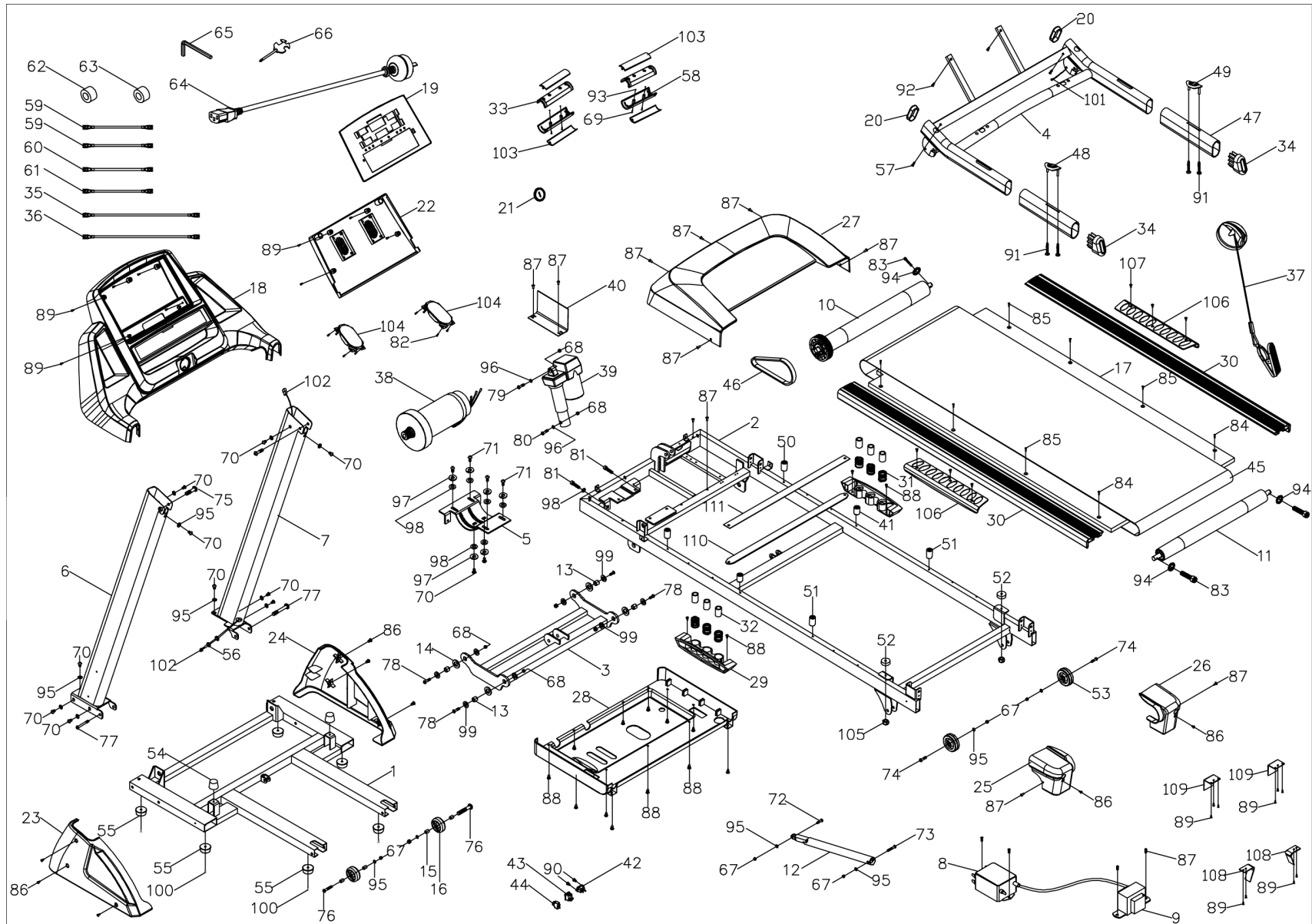


# Explosive Drawing

Jula item 002399



# Jula item 002399

NO.	Description	QTY	Jula sparepart no.
1	Bottom frame	1	
2	Running frame	1	
3	Incline frame	1	
4	Display frame	1	
5	Motor seat frame	1	
6	Left column	1	
7	Right column	1	
8	Filter	1	R024162
9	Inductor	1	R024344
10	Front roller	1	R024345
11	Rear roller	1	R024346
12	Air cylinder	1	
13	Rotation sleeve	4	
14	Plastic washer	4	
15	End cap	4	
16	Transportation wheel	2	
17	Running deck	1	
18	Display front cover	1	
19	Control panel	1	R024347
20	Elliptical end cap	2	
21	Safety key seat	1	
22	Display bottom cover	1	
23	Left bottom cover	1	R024348
24	Right bottom cover	1	
25	Left rear regulator	1	
26	Right rear regulator	1	
27	Motor front cover	1	R024350
28	Motor bottom cover	1	
29	Bumper cushion	2	R024352
30	Side rail	2	
31	Pressing spring	6	R024353
32	O ring cushion	6	R024354
33	Top cover of the handle pulse	2	R024351
34	End cap	2	
35	AC wire	1	R024355
36	AC wire	1	
37	Safety key	1	R024357
38	DC motor	1	R024358
39	Incline motor	1	R024359
40	PCB board	1	R024360
41	Black bumper cushion	2	
42	Plug	1	
43	Square shaped switch	1	R024361
44	Overload protector	1	R024362
45	Running belt	1	
46	Multi-v belt	1	R024363
47	Foam	2	
48	Handlebar incline direct key	1	R024364
49	Handlebar speed direct key	1	R024365

# Jula item 002399

NO.	Description	QTY	Jula sparepart no.
50	Black rubber cushion	2	
51	Blue rubber cushion	2	
52	Blue rubber cushion	2	
53	Regulation wheel	2	
54	Tapered rubber cushion	2	
55	Plat wheel pad	6	
56	Wire keeper	2	
57	Cross pan head tapered screw	2	
58	Handle pulse	2	
59	AC wire	2	
60	AC wire	1	R024355
61	Earth wire	1	
62	O ring magnet	1	
63	Magnet core	1	
64	Power cable	1	R024369
65	Allen wrench	1	
66	Solid wrench	1	
67	Prevailing torque type non-metal hexagon nuts	6	
68	Prevailing torque type non-metal hexagon nuts	6	
69	Cross recessed pan head tapered screw	4	
70	Inner hex pan head bolt	12	
71	Inner hex pan head bolt	4	
72	Inner hex pan head bolt	1	
73	Inner hex pan head bolt	1	
74	Inner hex pan head bolt	2	
75	Inner hex pan head bolt	2	
76	Inner hex pan head bolt	2	
77	Inner hex pan head bolt	2	
78	Inner hex pan head bolt	4	
79	Inner hex pan head bolt	1	
80	Inner hex column head bolt	1	
81	Inner hex pan head bolt	2	
82	Cross recessed pan head tapered screw	8	
83	Hexagon socket head cap bolt	3	
84	Inner hex countersunk bolt	2	
85	Inner hex countersunk bolt	6	
86	Cross pan head screw	8	
87	Cross pan head screw	14	
88	Cross recessed pan head tapered drilling screw	16	
89	Cross pan head tapered screw	19	
90	Cross countersunk screw	2	
91	Cross recessed pan head tapered screw	4	
92	Cross recessed countersunk tapered screw	2	
93	Nut	4	
94	Curved washer	3	
95	Curved washer	16	
96	Curved washer	2	
97	Washer	6	
98	Washer	7	

# Jula item 002399

<b>NO.</b>	<b>Description</b>	<b>QTY</b>	<b>Jula sparepart no.</b>
99	Washer	8	
100	Cross recessed pan head screw	6	
101	Upper wire of the display	1	R024370
102	Lower wire of the display	1	R024371
103	Handle pulse	4	
104	Speaker	2	
105	Prevailing torque type non-metal hexagon nuts	2	
106	Friction belt	2	R024373
107	Cross recessed pan head tapered screw	6	
108	Belt guidance	2	
109	Closing plate	2	
110	Running board support	1	
111	EVA cushion	1	