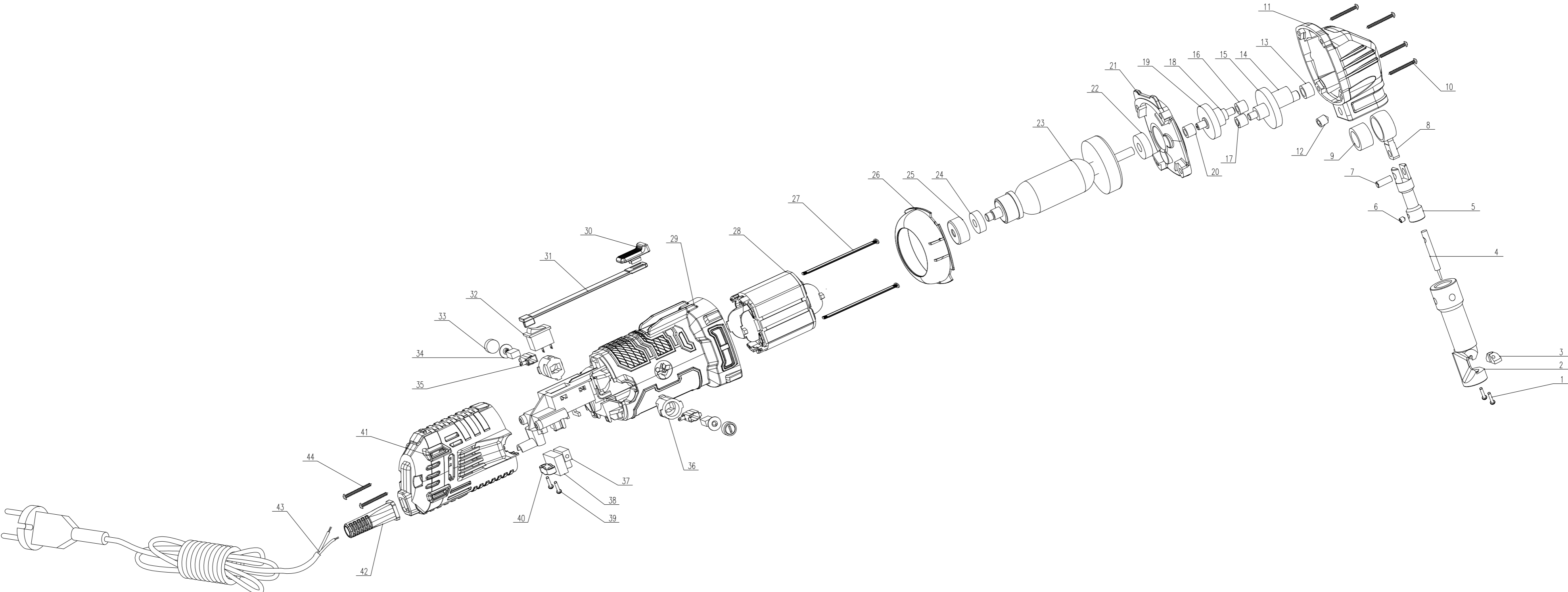


Jula item 021419



Jula item 021419		CDS550A	
Pos	Part no	Description	Qty
1	GB/T 70.1-2000	Hexagon socket head M3*12	2
2	CDS550A-12	Die holder	1
3	CDS550A-13	Punching dies	1
4	CDS550A-14	Punch pins	1
5	CDS550A-15	Punch pusher	1
6	GB/T 78-2000	Hexagon socket set screws M5*5	1
7	GB119.2-2000	Cylindrical pin $\phi 6 \times 12$	1
8	CDS550A-16	Pendulum rod	1
9	CDS550A-27	Pendulum bushings	1
10	GB845-85	Cross recessed pan head tapping screws ST4.1x30	4
11	CDS550A-01	Head shell	1
12	GB/T 78-2000	Hexagon socket set screws M8*15	1
13	CDY20VE-23	Shaft sleeve	1
14	CDS550A-17	Eccentric shaft	1
15	CDS550A-19	Two-stage large gear	1
16	CDS550A-21	Oil bearing	1
17	CDS550A-21	Shaft sleeve	1
18	CDS550A-18	First stage helical gears	1
19	CDS550A-20	Second stage pinion gears	1
20	CDS550A-21	Shaft sleeve	1
21	CDS550A-02	Box cover	1
22	GB/T276-94	608-2RS bearing (8*22*7)	1
23	CDS550A.01	Armature assembly	1
24	GB/T276-94	607-2RS bearing (7*19*6)	1
25	CDY190E-12	Bearing bushings	1
26	CDS550A-07	Air guide ring	1
27	GB845-85	Cross recessed pan head tapping screws ST4.1*60	2
28	CDS550A.02	Stator assembly	1
29	CDS550A-03	Housing	1

Pos	Part no	Description	Qty
30	CDS550A-05	Switch push knob	1
31	CDS550A-06	Switch puller	1
32	CSG65A-13	Switches	1
33	CDS550A-11	Brush cover	2
34	CDS550A.03	Carbon Brush Assembly	2
35	CDS550A-10	Brass bushing	2
36	CDS550A-09	Brush case	2
37		Wiring posts HYT500	1
38	CDS550A-25	Capacitor	1
39	GB845-85	Cross recessed pan head self-tapping screws ST4.1*16	2
40	CDM08A-48	Crimp version	1
41	CDS550A-04	Back cover	1
42	CDS550A-08	Power cord sheath	1
43	CDS550A-22	Power cord	1
44	GB845-85	Cross recessed pan head tapping screws ST4.1*25	2
45			