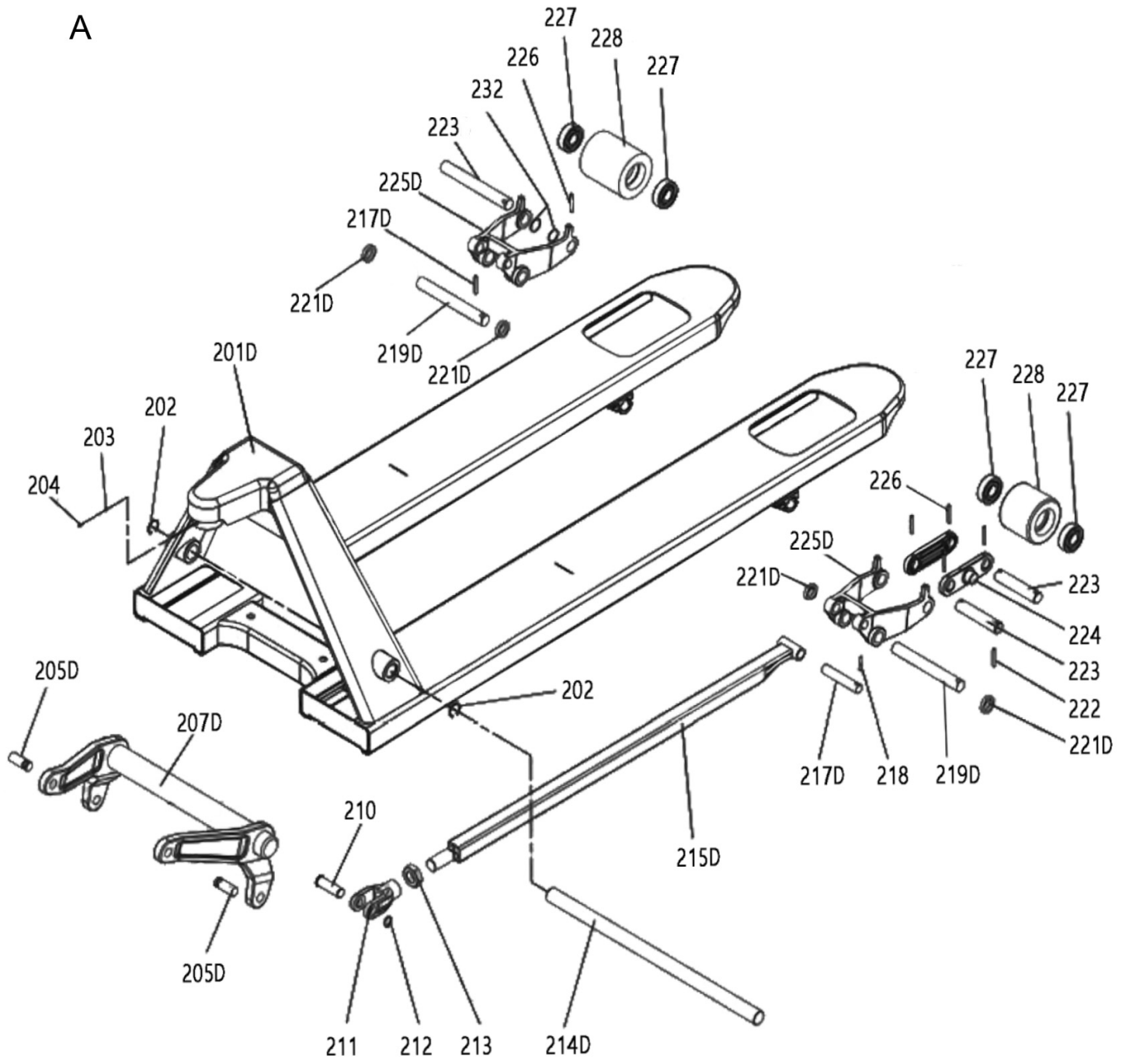


Hand pallet truck Hard Head

Jula item 022277, 1150mm & 022279, 800mm

A

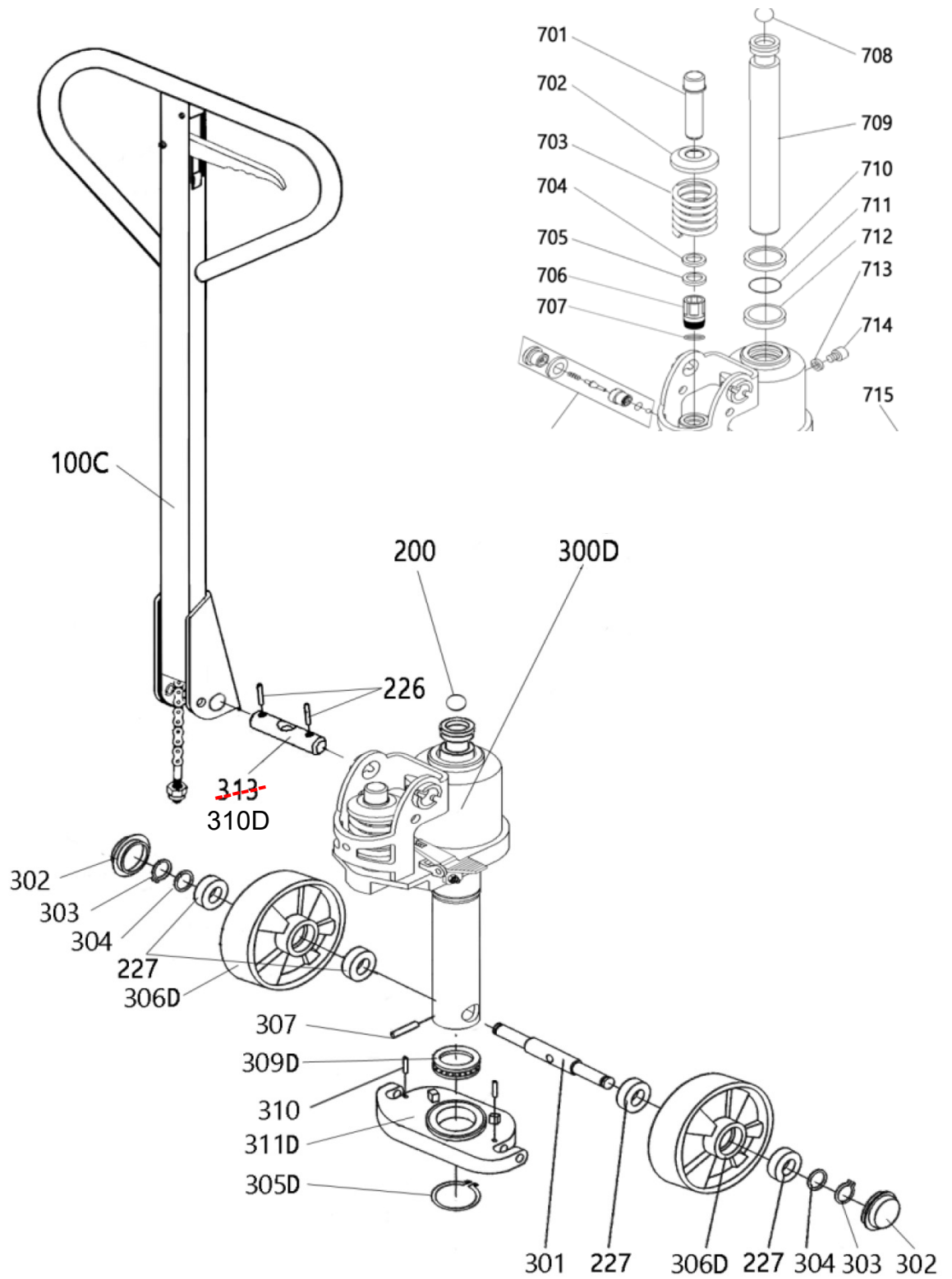


Item No.	Parts No.	Parts details	Qty.
201D	20201	Chassis	1
202	10202	Circlip for hole $\Phi 26$	2
203	10203	Spring gasket $\Phi 6$	1
204	20204	Bolt M6 \times 12	1
205D	20205-1	Connecting pin $\Phi 15.8 \times 48.5$ DF	2
207D	20207-1	Swing arm for 550mm	1
210	10210	Axle $\Phi 15.8 \times 52$	2
211	10211	Push rod fork	2
212	10212	Circlip for shaft $\Phi 16$	2
213	10213	Nut M22	2
214D	20214-1	Long axle $\Phi 24.5 \times 496$ for 550mm	1
215D	20215-1	Push rod (Only 1150mm)	2
	20215-2	Push rod (Only 800mm)	2
217D	10217	Axle $\Phi 15.8 \times 105$	2
218	10218	Spring pin $\Phi 5 \times 26$	2
219D	10219-1	Level block axle $\Phi 19.8 \times 161$	2
221D	10221	Axle sleeve	4
222	10222	Spring pin $\Phi 5 \times 30$	4
223	10223-1	Roller axle $\Phi 19.8 \times 94.5$	4
223B	10223-2	Roller axle $\Phi 19.8 \times 130$	2
224	10224	Tri-connect plate	4
225D	10225 - 1	Level block	2
226	10226	Spring pin $\Phi 5 \times 35$	8
227	10227	Bearing 6204-2RS	8
228	10228-1	PU double loading wheel $\Phi 80 \times 70$	4
228A	10228-3	PU single loading wheel $\Phi 80 \times 93$	2
229	10229	Nut M10	2
230	10230	Enter roller	2
231	10231	Bolt M10 \times 65	2
232	10232	Axle adjusting gasket	2

Hand pallet truck Hard Head

Jula item 022277, 1150mm & 022279, 800mm

B



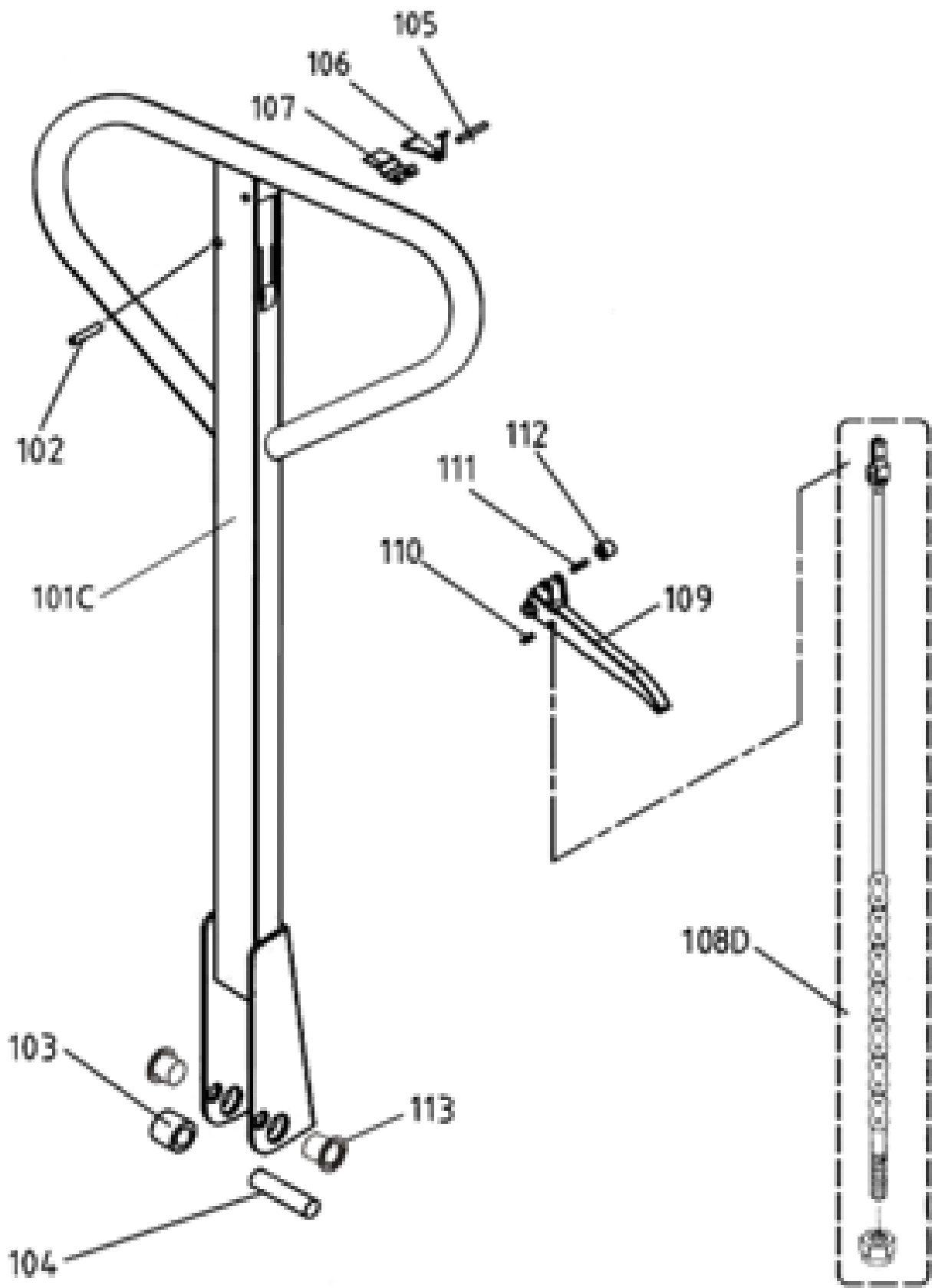
Item No.	Parts No.	Parts details	Qty.
100C	10100C	Handle assy (Triangle without rubber)	1
200	10200	Steel ball Ø19	1
300D	20300A	DFH pump assy.	1
301	10301	Wheel axle	1
302	10302	Dust ring	1
303	10303	Circlip for shaft Ø20	1
304	10304	Axle adjusting gasket	1
305D	20305-1	Circlip for shaft Ø50 DF	1
306D	20306-1	PU steering Wheel Ø180*50	2
307	10307	Spring pin Ø8×45	1
309D	20309-1	Pushing ball bearing 51110	1
310D	20310	Handle axle(For DFH pump) Φ19.8*85.5	1
311D	20311-1	Thrust strip DF	1
226	10226	Spring pin Ø5×35	2
222	10222	Springpin φ5×30	2
227	10227	Bearing6204-2RS	4

Seal kit assembly

704	30704	Dust ring Ø	1
705	30705	Seal washe	1
710	30710	Dust ring Ø	1
711	30711	O-ring Ø31	1
712	30712	Seal washe	1

Hand pallet truck Hard Head

Jula item 022277, 1150mm & 022279, 800mm



Item No.	Parts No.	Part	QTY
101C	10101C	Handle body	1
102	10102	Spring pin/6x30	1
103	10103	Pinch roller	1
104	10104	Pinch roller pin	1
105	10105	Spring pin/4x30	1
106	10106	Torsional spring	1
107	10107	Hinge	1
		Connecting rod	1
		Chain	1
108D	10108D	Rod & chain assy.	1
		Swing bolt/M5	1
		Nut/M5	1
		Connecting plate	1
		Rivet/Φ3×6	1
109	10109	Finger lever	1
110	10110	Spring pin/4x13	1
111	10111	Spring pin/4x17	1
112	10112	Roller	1
113	10113	Axle sleeve	2