

Plate compactor
HP1100 scheppach
special edition

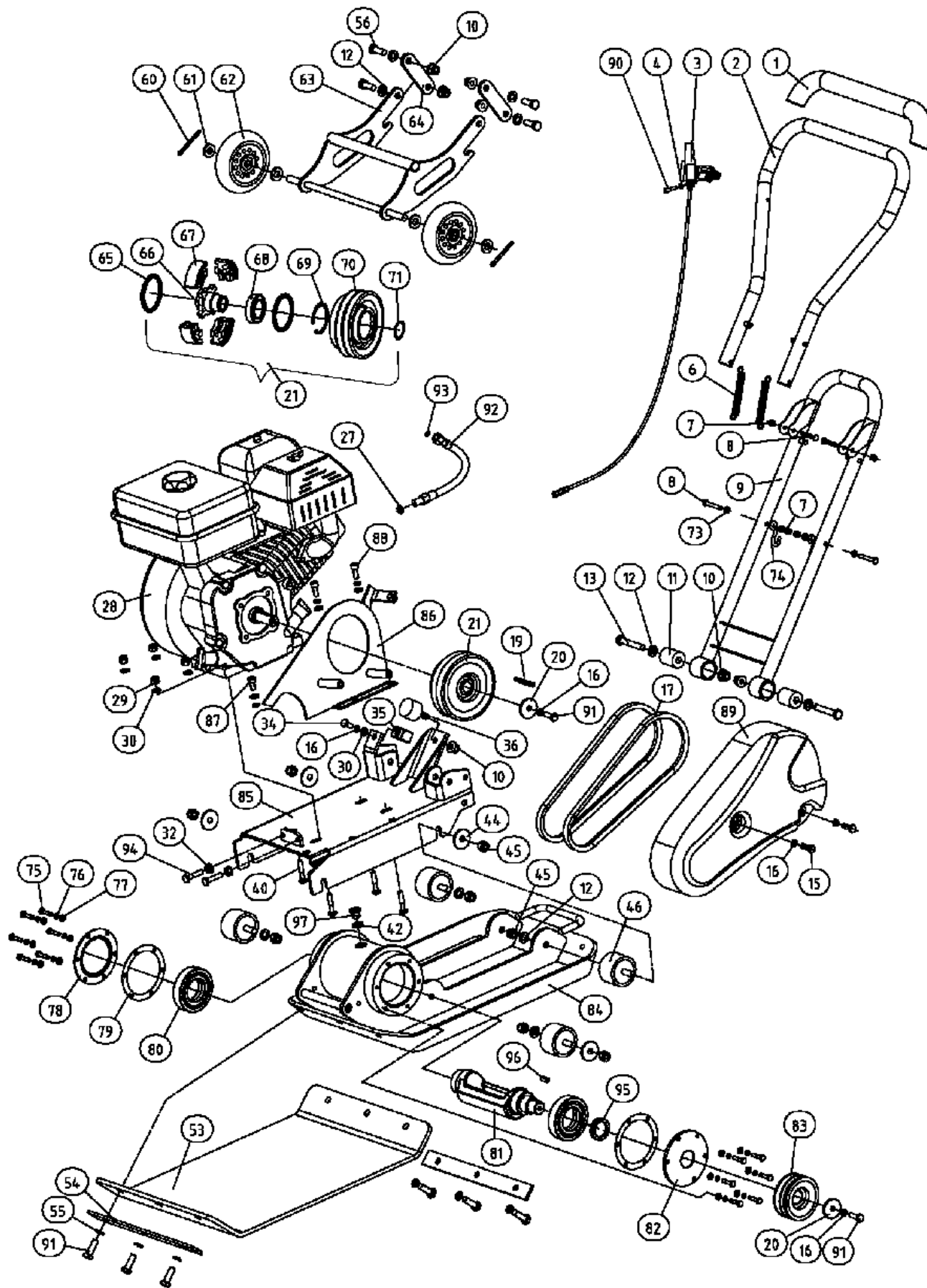


Plate compactor
HP1100 scheppach
special edition

Main products

Spare part list

3904601915

191314 - 0131 - HP1100s - ab 1 - 2012

Spare	Description	additional	Item	Abb.	ConstructStatus
3904601012	handle cpl.		1-2,9	*	*
3904601017	accelerator cable cpl. incl. bowden cable		3	*	* R019309
02012503	washer	Ø5 / A5	4	*	*
3904601018	spring (set = 2 pcs)		6	*	* R019310
02098504	selflocking nut	M6 galvanized DIN985	7	*	*
02093351	hexagon bolt	M6x40 DIN933	8	*	*
02098506	Hexagon nut, self-locking	M10	10	*	*
3904601085	undercarriage cpl. part 10-12, 56, 60-64		10-12, 56, 60-64*		*
3904601023	rubber sleeve	pc 08 / pc 11 / pc 13	11	*	*
02012507	washer	A10,5 ST 125 VZ	12	*	*
02093152	hexagon bolt	M10x70	13	*	*
02093364	hexagon bolt	M8x16 8.8 DIN933 galvanized	15	*	*
02012707	spring washer	Ø8,1 / Ø14,8 x 4,6 From A8, verzinkt, DIN127	16	*	*
3904601029	v-belt (set = 2 pcs.)	A725Li / 755Ld 12x8	17	*	* R019311
3904601031	feather key	31.95x5x5mm	19	*	*
3904601056	washer		20	*	*
3904601033	v-belt pulley with centrifugal clutch		21	*	*
3904601039	washer	Ø10.5 innen	27	*	*
3904601040	Motor part 28	G160F	28	*	*
02098505	nut	M8 rechts, verzinkt, DIN985	29	*	*
02012506	washer	Ø8,4 / Ø16 x 1.6, Form A, verzinkt. DIN125	30	*	*
05007101	rachet nut	M8-W193 1O VERBUSRIPP VZ	32	*	*
02093364	hexagon bolt	M8x16 8.8 DIN933 galvanized	34	*	*
3904601047	rubber pad		35	*	*
3904601048	rubber pad part 36	M10x28	36	*	*

Plate compactor
HP1100 scheppach
special edition

Main products**Spare part list**

3904601915

191314 - 0131 - HP1100s - ab 1 - 2012

Spare	Description	additional	Item	Abb.	ConstructStatus
02060333	SAUCER-HEAD SCREW M8x40 4.6 603 VZ	M8x40	40	*	*
3905201030	washer	14mm	42	*	*
3904601056	washer		44	*	*
02098506	Hexagon nut, self-locking	M10	45	*	*
3904601058	rubber buffer (set = 4 pcs.) part 46	M10 x 30 / 2x	46	*	*
3904601065	paving pad transparent	pc 11	53	*	* R021424
3904601413	paving pad black		53	*	*
3904601066	clamp plate		54	*	* R023078
3904601069	clamp plate	pc 13	54-56	*	*
02012708	spring washer	A10	55	*	* R023079
02093383	hexagon bolt	M10x20	56	*	*
3904601073	clamping ring	3 x 30	60	*	*
02012508	washer	A13 ST 125 VZ	61	*	*
3904601075	wheel		62	*	* R022210
3904601076	wheel axle		63	*	*
3904601077	link plate		64	*	*
3904601078	spring part 65		65	*	*
3904601079	clutch part 66		66	*	*
3904601080	clutch lining		67	*	*
3904601081	bearing	6006 RS	68	*	* R019328
3904601082	spring washer	J 56 / DIN 472	69	*	*
3904601083	pulley part 70		70	*	*
5908403065	circlip ring	A30, blank, DIN471	71	*	*
02012705	spring washer	A6	73	*	*
3904601097	hook part 74		74	*	*

Main products

Spare part list

3904601915

191314 - 0131 - HP1100s - ab 1 - 2012

Spare	Description	additional	Item	Abb.	Construct	Status
02093347	Hexagon bolt	M6x20	75	*	*	
02012705	spring washer	A6	76	*	*	
02012504	washer	A6	77	*	*	
3904601153	bearing cover part 78		78	*	*	
3904601154	gasket		79	*	*	
3904601155	bearing part 80	6209	80	*	*	
3904601156	shaft part 81		81	*	*	
3904601157	bearing cover part 82		82	*	*	
3904601158	pullery part 83		83	*	*	
3904601159	base plate part 84		84	*	*	
3904601160	base plate part 85		85	*	*	not available anymore
3904601161	plate part 86		86	*	*	not available anymore
02091246	cheese head screw	M8x16 8.8 912 VZ	87	*	*	
02091247	cheese head screw	M8x20 8.8 912 VZ	88	*	*	
3904601164	v-belt cover		89	*	*	
02798525	Oval-head screw	M5x25	90	*	*	
01093383	hexagon bolt	M10x20	91	*	*	R023080
3904601037	hose incl. coupling	M10 x 1,25 Anschluss	92	*	*	R019312
3904601168	o-ring	Ø7mm x 1,7mm	93	*	*	
02093138	Hexagon bolt	M8x50 DIN 931	94	*	*	
3904601060	shaft sealing ring	Ø42 / Ø30 x 6	95	*	*	R021086
01688530	feather key	6x6x16	96	*	*	
3904601053	plug	M14 x 1,5	97	*	*	
3904601096	enclosed accessories bag		o.Abb.	*	*	
390 4601 087	Air filter		o.Abb.	R019313		
390 4601 088	Engine kit		o.Abb.	R019314		
390 4601 089	Spark plug connector with cable		o.Abb.			
390 4601 090	Spark plug		o.Abb.	R019315		
390 4601 091	On/Off switch		o.Abb.	R019316		
390 4601 092	Tank		o.Abb.			
390 4601 093	Spark plug key with pin		o.Abb.			
390 4601 094	Oil filler screw		o.Abb.	R019318		
390 4601 095	Guard		o.Abb.	R019319/R002524		

RESERVDELAR TILL 270009 VIBRATORPLATTA 5,5 HK



R002524 LJUDDÄMPARE MED GALLER



R019313 LUFTFILTERBURK KPL MED LUFTFILTER



R024441 O-RING-TÄTNING F.LUFTFILTER BURK



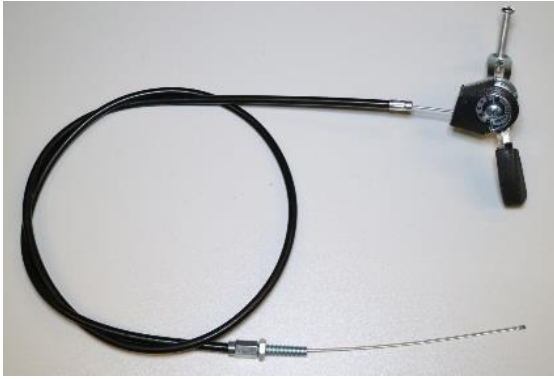
R015089 LUFTFILTER SKUMGUMMI/PAPPER



R024440 TÄTNING GUMMIRING FÖR LUFTFILTER



R024439 VINGMUTTER FÖR FASTSÄTTNING LUFTFILTER



R019309 GASREGLAGE KPL



R019310 FJÄDERSATS FÖR HANDTAG



R019312 AVTAPPNINGS SLANG OLJA



R019314 START APPARAT KPL



R019315 TÄNDSTIFT



R019316 STRÖMBRYTARE



R019318 OLJESTICKA



R019319 GALLER FÖR LJUDDÄMPARE



R021086 PACKBOX 30x42x7 MM



R021424 SLITPALTTA TRANSPARENT PLAST



R022210 GUMMIHJUL



R023078 FÄSTE FÖR SLITPLATTA



R023079 FJÄDERBRICKA M10 FÖR FÄSTE SLITPLATTA



R023080 BULT M10X30 MM FÖR FÄSTE SLITPLATTA



R019328 KULLAGER 6006RS