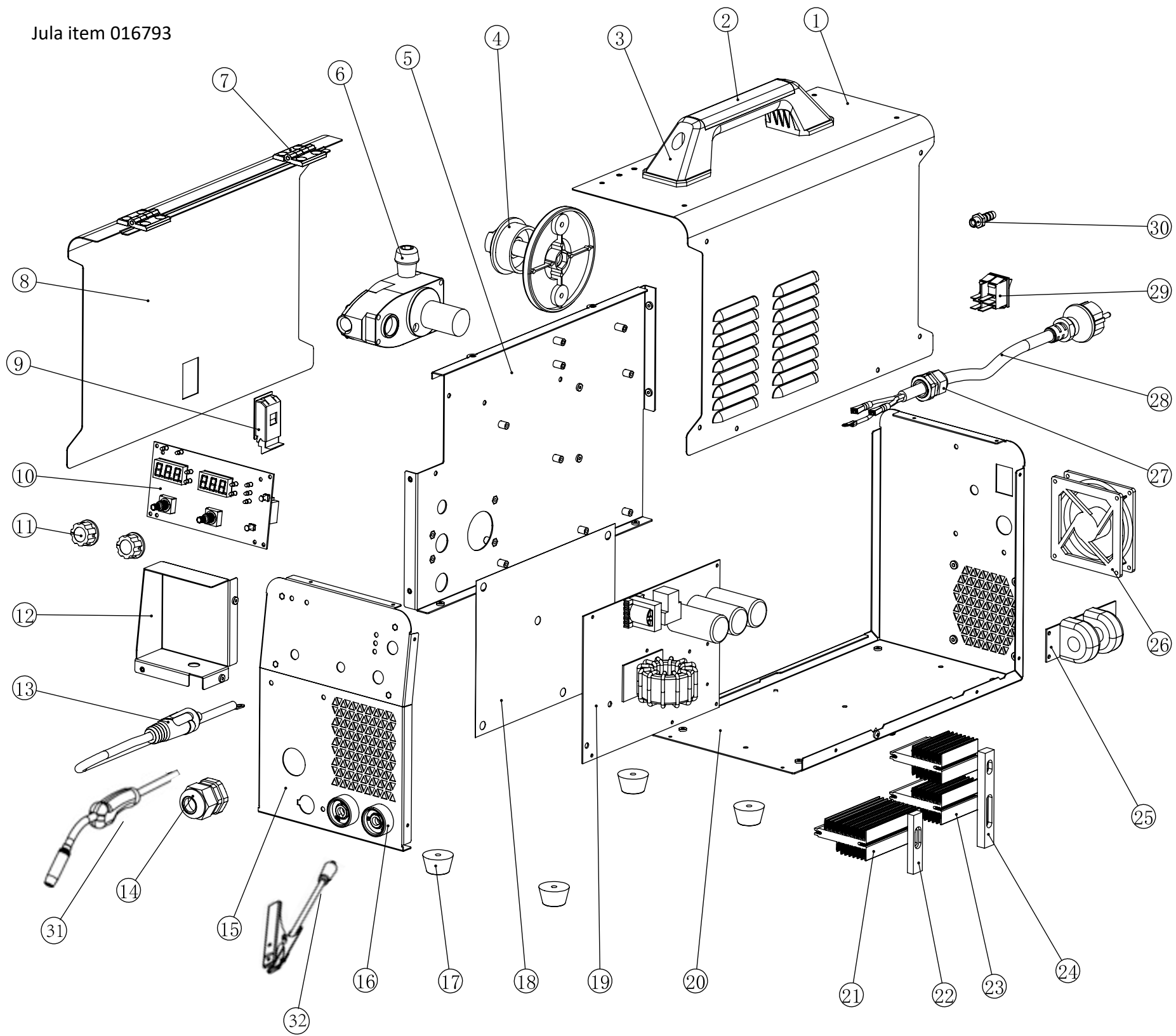


Jula item 016793



016793

NO.	Part Name	Materiel Code	QTY
1	Right Cover	S2043474	1
2	Handle Cover	20300346	1
3	Handle	20300335	1
4	Spool	30800148	1
5	Middle Bracket	30206002	1
6	Wire Feeder	30800217	1
7	Hinge	30304040	2
8	Left Cover	S2043475	1
9	Lock	S6000357	1
10	Given PCB	S3003267	1
11	Knob	30406052	2
12	Panel Shield	30205753	1
13	Polarity Conversion Cable	S1130052	1
14	Cable Clip	30405020	1
15	Front Panel	S2043476	1
16	Quick Connector	VS020100	2
17	Foot	30400033	4
18	Insulation Paper	20300376	1
19	Main PCB	S3003266	1
20	Bottom Case	S2043477	1
21	Rectifier Diode Heat Sink	VS022460	1
22	Heat Sink Holder	20100038	1
23	IGBT Heat Sink	VS022347	1
24	Heat Sink Holder	20100015	1
25	EMC PCB	S3003268	1
26	Fan	30712222	1
27	Cable Clip	30406017	1
28	Power Cable	12700929	1
29	Switch	30715045	1
30	Air Fitting	12700237	1
31	Fixed torch	70100956	1
32	Earth clamp with cable	S1600472	1