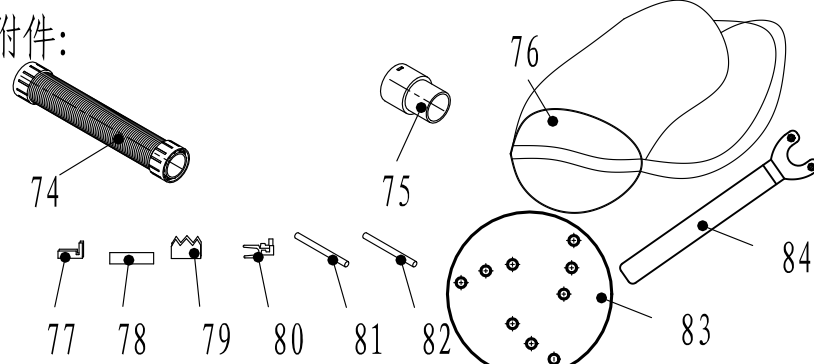


附件:



**Jula item 015679, R7502 spare parts list**

<b>NO</b>	<b>Description</b>	<b>Item no.</b>	<b>Spec</b>
1	lower platen	0102037213	
2A1	Plastic Brush pad(Dubang)	0107031001	
2A2	STEEL BRUSH PAD	0107031002	
2B	Diamond pad	0107031000	
2C	sanding PAD	0203010101	
3	top board	0102037212	
4	screw 4*20	0104014101	M4×20
5	long brush segment	0107032701	
6	short brush segment	0107032700	
7	Spring	0102035231	
8	detachable	0201600002	
9	Disc	0201600001	
10	Ball φ4	0104040700	φ3.96
11	Knob spring	0102035217	
12	Adjust knob	0201442000	
13	Flat washer φ4	0104020002	φ4
14	Screw ST4X12	0104011804	ST3.9×12
15	Oil seal	0108040005	
16	Collar φ22	0104051002	φ32
17	Output shaft	0102020206	
18	Bearing 6002	0102050520	6002 Z2RS
19	Key 4X4X8	0104040100	4×4×8
20	rod cover	0206510001	
21	paper washer	0102039207	
22	Big gear	0102011028	
23	Collar φ13	0104050005	φ13
24	Bearing 607Z	0102050434	607
25	Pin φ4x12	0104040510	φ4×12
26	main driving shaft	0102011027	
27	Ball	0104040706	φ3
28	Big gear	0102011026	
29	needle bearing	0102050020	HK0810
30	screw 4*16	0104014103	M4×16
31	gear box	0206510002	
32	self-lock pin	0102039505	
33	Self locking spring	0102035209	
34	Self locking cap	0201600003	
35	suction inlet	0201542000	
36	Rotor spring	0102037055	
37	Rotor Wool washer	0112022010	(18*9*2.5)
38	O ring	0108030015	
39	Bearing 608	0102050408	608
40	Flat washer φ8	0104020016	8×18×1
41	stop collar	0102037054	
42	Dust removal wind blade	0201600004	

NO	Description	Item no.	Spec
43	Middle cover	0206510003	
44	anti-wind ring	0201G91203	
45	Rotor assembly	0202391000	
46	Flat washer	0104020005	φ7
47	Bearing 607Z	0102050434	607
48	screw ST4*70	0104011116	ST4×70
49	Stator assembly	0202390001	
50	Silicone fiberglass tube	0104061107	
51	main case	0201540001	
54	screw 4*20	0104014101	M4×20
55	ring-pull	0103040004	
56	Brush hold	0103031408	
57	Brush	0103020450	
58	Brush hold cover	0103031408	
59	Switch self-locking button	0201491100	
60	Push button spring	0102035202	
61	Switch self-locking pin	0104040807	
62	electronic speed control plate	0103080130	
63	switch button	0201491000	
64	Small square switch	0103012381	
65	left hand handle	0201541000	
	Right hand handle		
66	Screw ST4.8X16	0104011815	ST4.8×16-F
67	Cable pressing plate	0201G94000	
68	Screw ST3.9X16	0104011806	ST3.9×16
69	Two pin capacitance	0103050005	0.33uF(9cm)
70	cable shield	0108010010	
71	cable	0105010710	
72	D handle	0201600005	
73	locking bolt	0104016174	M10×25
74	Dust collecting hose	0308070850	
75	connector φ35	0107023005	
76	dust bag	0308031004	
77	2.8 spring	0104060032	
78	copper strip	0104060018	
79	triple-toothed buckle	0104060019	
80	Y-shaped buckle	0104060013	
81	heat shrink tubing	0104061002	φ3
82	heat shrink tubing	0104061006	φ6
83	sand paper	0308022513	
84	wrench	0302550400	