



Official Licensed Product



Volkswagen

Amarok

- Forward
- Backward
- Turn right
- Turn left
- Stop
- Light

Product Size: 145*77*59CM

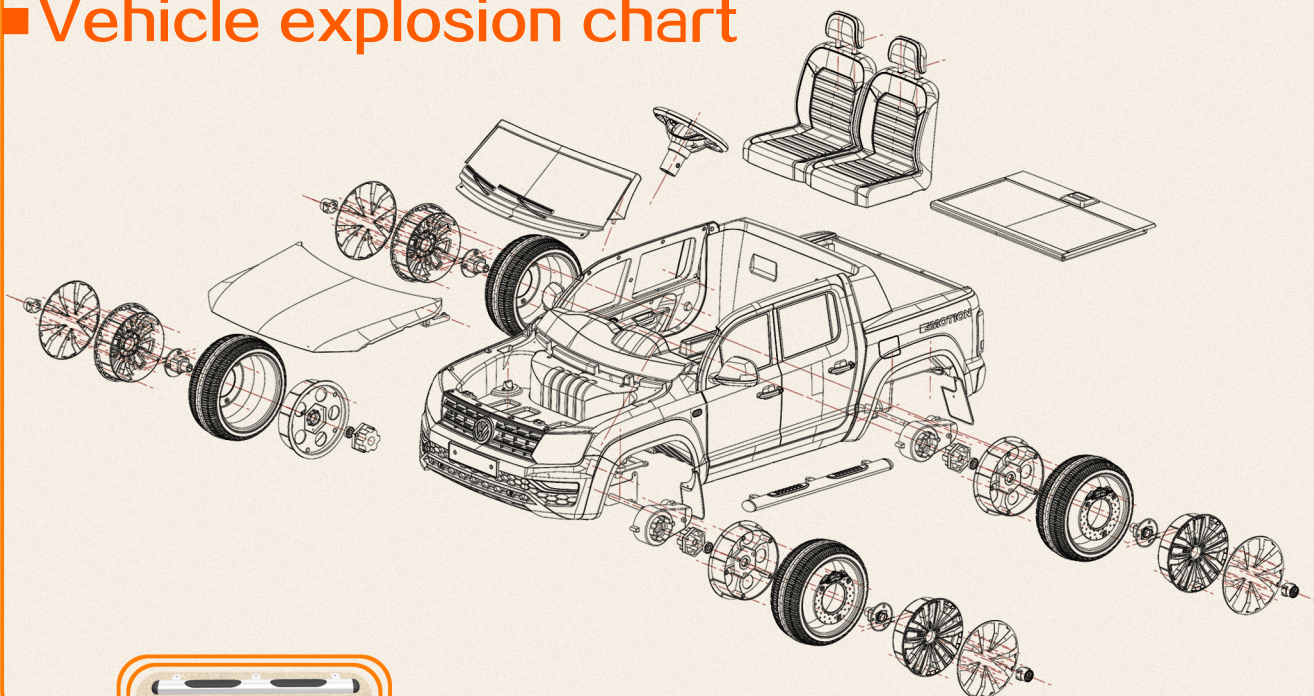
WARNING :Not to be used in traffic.

This product is designed for children age 3+.

Original License Counterfeit Investigated

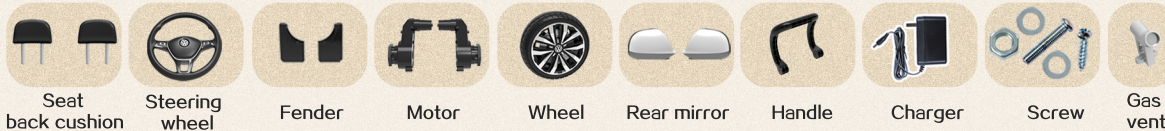
Trademarks, design patents and copyrights are used with the approval the owner Volkswagen AG.
 Licensee: Zhejiang Dongma Baby Carrier Co., Ltd.
 Manufacturer: Zhejiang Dongma Baby Carrier Co., Ltd.

Vehicle explosion chart



pedal

SPARE PARTS LIST



Seat back cushion

Steering wheel

Fender

Motor

Wheel

Rear mirror

Handle

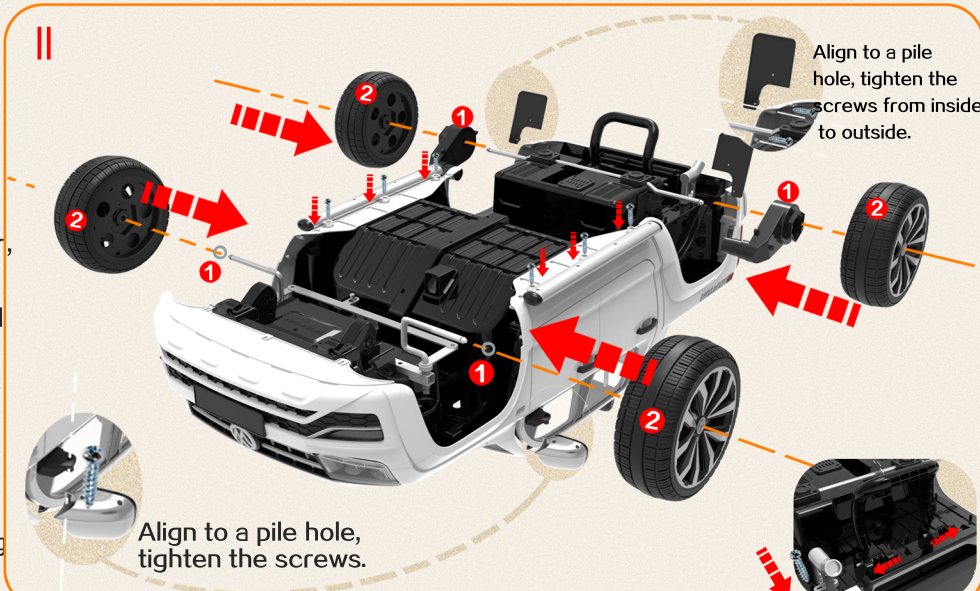
Charger

Screw

Gas vent

Installation Instruction

- ① Open the packing and check have all parts (Refer to **Picture I**).
- ② Then turn over the car, install fender, rear mirror, wheels, pedal, exhaust funnel, pull handle (according to the number to install). Must according to the **Picture II** to install.
- ③ After that turn over the car. Install seat and steering wheel according **Picture III**.





Take out the steering wheel and contact the line, push until full into place. And fixed by crew.



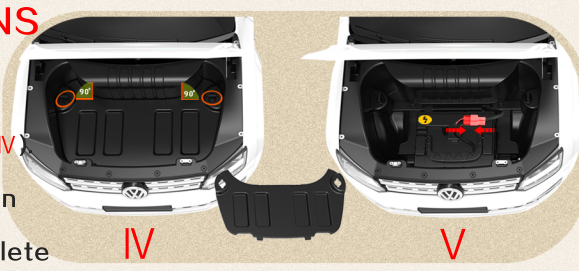
Take out the seat back cushion, and push until full into place.



Install wheels
Align the places, push the VM bottom. One bottom disassemble.

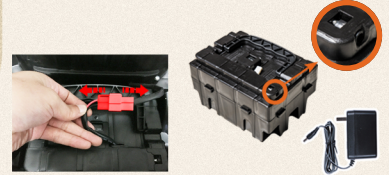
BATTERY INSTALL INTRODUCTIONS

- I. Open engine Hood.
- II. Spin button, take out the battery protection board (refer to **Picture IV**).
- III. Contact the interface (refer to **Picture V**), then reverse the installation of above steps to complete the installation

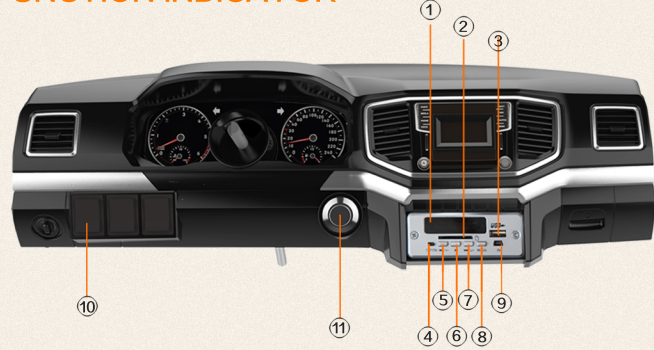


CHARGING INTRODUCTIONS

- I. Open the cover board.
- II. Take off the interface (the red line).
- III. Take out the battery box and charge.



FUNCTION INDICATOR



FUNCTION INDICATOR

- | | |
|-------------------|----------------------|
| ① BATTERY DISPLAY | ⑦ NEXT SONG/ SOUND + |
| ② SD CARD | ⑧ MODE SWITCH |
| ③ USB CONTACT | ⑨ AUX INSERT |
| ④ OFF/ON | ⑩ GO AHEAD /BACK |
| ⑤ PREV/SOUND - | ⑪ ONE START BUTTON |
| ⑥ PLAY/ STOP | |



A.Music change B.Horn button

SAFETY PRECAUTIONS

01. While riding, adult supervision is required all the time.
02. Always wear a helmet when driving.
03. Please don't drive near road or on the footpath.
04. It is not recommended to drive the vehicle on wet surface or on slope greater than 15-degree.
05. It is recommended to drive this vehicle on smooth surface only.
06. Please don't driving this vehicle outdoors when it is raining.
07. Make sure that the vehicle stop completely before changing direction from forward to reverse.
08. Please don't allow children to operate the charger or play with the battery
09. Clean the vehicle with a dry cloth only.
10. Please follow the correct weight and age limits allowed to drive this vehicle.
11. It is prohibited to change the circuit or add other electric parts.
12. Adults must teach their children about safe driving procedures.
13. Please turn the power off when not in use.
14. Check the seat to ensure it has been fitted and secured with a bolt before driving.
15. Inspect all wires and connections of the vehicle periodically.
16. Charging the battery should only be done by adults.
17. Charging plug is located underneath the seat.
18. In order to avoid accidents, please ensure the vehicle is safe before driving.
19. Please don't let any child touch the wheels or be near them when the car is moving.
20. Warranty period is 90 days from the date of purchase.
21. Proof of purchase must be given for goods to be returned, repaired or replaced.
22. The instruction shall state that battery charger used with the toy are to be regularly examined for damage to cord, plug, enclosure and other parts, and in the event of such damage, they must not be used until that damage had been repaired.

TROUBLESHOOTING

Problem: The car only runs for a short time
Answer 1: The battery is low on charge. Please charge for 6-8 hours but not exceeding 10 hours
 Charge at least once a month to keep the active.
Answer 2: Battery ageing
 The battery may need to be replaced depending on its charging history and age.
Problem: The sounds do not work.
 Please ensure the volume is turned up and the MP3 lead is not connected.
 The steering wheel sounds will not work when the MP3 is plugged into the car.
Problem: Charger makes a buzzing sound while charging
 This is normal.
Problem:Charger overheating
 It is normal for the battery and charger to warm slightly during charging. If they feel excessively hot then please check for a current overload or battery short circuit.

WARNING

WARNING: Vehicle must be charged fully before use. Must be assembled by an adult. Failure to do so voids warranty. Warning: Not to be used in traffic. Please read manual carefully before use. Adult assembly required. This toy have no brake. Always wear a helmet and protective clothing when riding. Continuous adult supervision required when using this product. Charging the battery can only be done by adult at all times. Please keep the manual and packaging for future reference as it contains important information. The instructions for use should bear a reminder that the toy should be used with caution since skill is required to avoid falls or collisions causing injury to the user or third parties.

DISPOSAL OF BATTERY

Disposal of Battery
 Your sealed lead-acid battery must be recycled or disposed of in an environmentally sound manner. Do not dispose of your lead-acid battery in a fire. The battery may explode or leak. Do not dispose of lead-acid battery in your regular household trash. The incineration land filling or mixing of sealed lead-acid batteries with household trash is prohibited by law. Return an exhausted battery to your local approved lead-acid battery recycle, Such as a local seller of automotive batteries. Contact your local waste management officials for other information regarding the environmentally sound recycling and disposal of lead-acid batteries.

HOW TO USE THE REMOTE CONTROL

Take off the battery cover. Put two AAA 1.5V remote control battery on. Battery charging must be done by adults only. The remote control must be handled and operated by adults only. non-rechargeable batteries are not to be recharged. different type of batteries or new and used batteries are not to be mixed. batteries are to be inserted with the correct polarity. exhausted batteries are to be removed from the toy. rechargeable batteries are only to be charged under adult supervision. rechargeable batteries are to be removed from the toy before being charged. The supply terminals are not to be short-circuited.



Please refer to the remote control function Attached special instructions

TROUBLESHOOTING

Problem: The car will not move
Answer 1: Please make sure the charger has been removed from the car charging point.
Answer 2: The battery is low on charge. Please charge for 6-8 hours but not exceeding 10 hours.
 Charge at least once a month to keep the cells active.
 To avoid fuse cut off the power:
 1. Max:30kgs, overload is forbidden
 2. Do not drag any item behind this product.
 3. Do not allow water or other liquids dip the electrical parts.
 4. Do not change the line system by yourself.
Answer 3: The battery wires are not connected. Please check the connections on the battery terminals are firmly in place.
Answer 4: battery is broken
 Please contact the agent or manufacturer
Answer 5: car body wiring has been damaged
 Please contact the agent or manufacturer
Answer 6: the motor is damaged
 Please contact the agent or manufacturer
Problem: unable to charge
Answer 1: The battery wires not connected. Please check the connections on the battery terminals are firmly in place.
Answer 2: The charger is not inserted in place
 Make sure the charger is plugged into the power outlet properly {ensure the power outlet switch turn on}
Answer 3: The charger not working correctly. The charger should feel slightly warm when on charge. Please contact the agent or manufacturer.